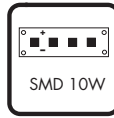
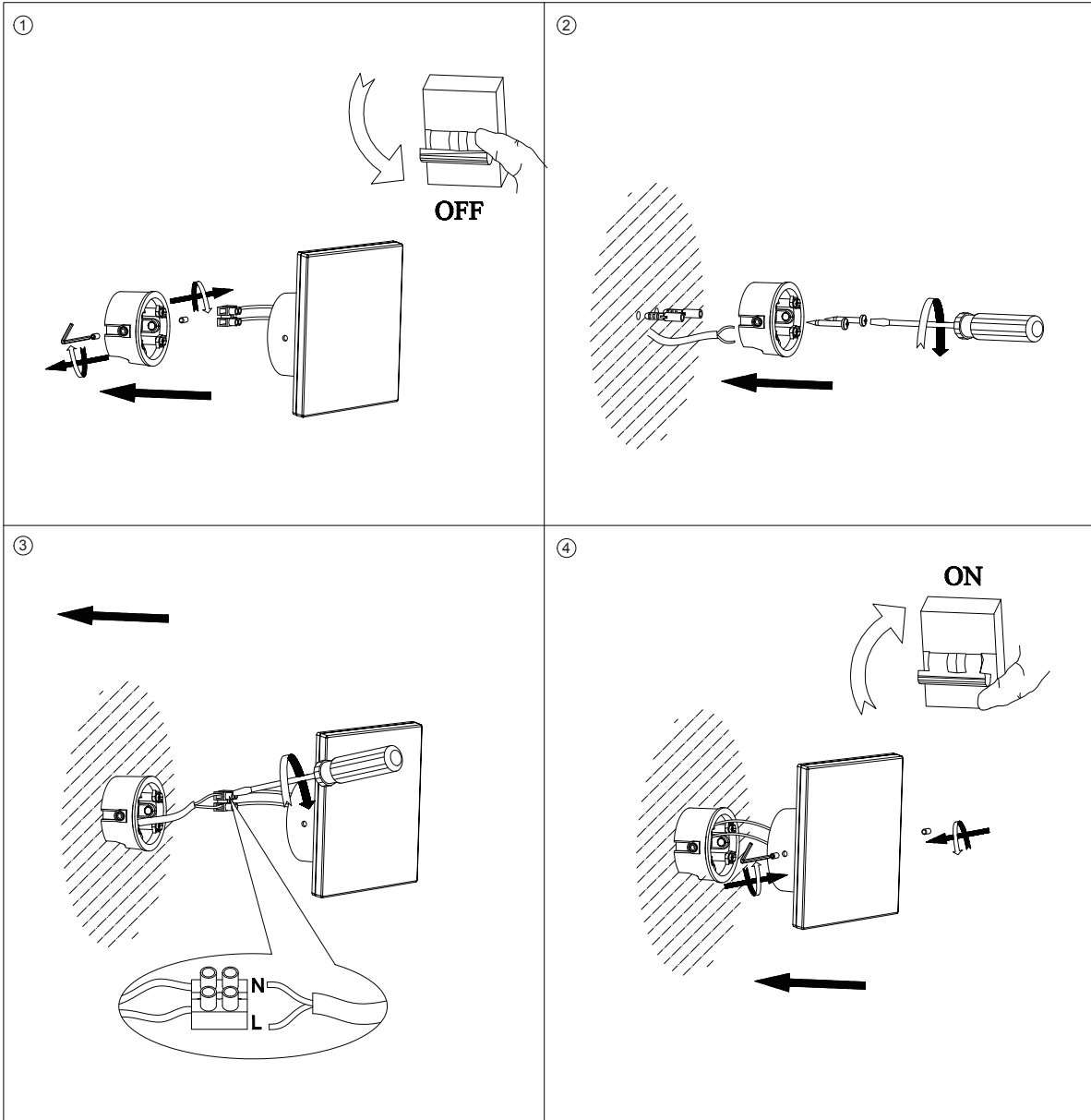


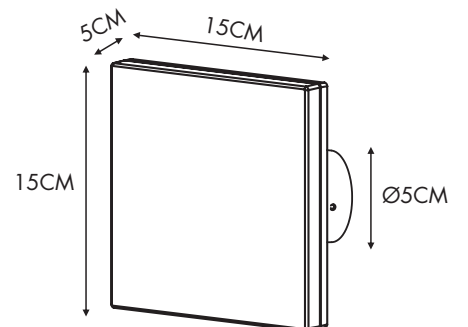
INSTRUCTION MANUAL



Skyf WL Dark Grey 15 Square
102953



Overall Size:



800	LM
10	W
2700	K
>80	CRI
30000	H
15000	ON/OFF