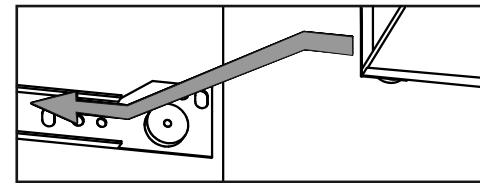
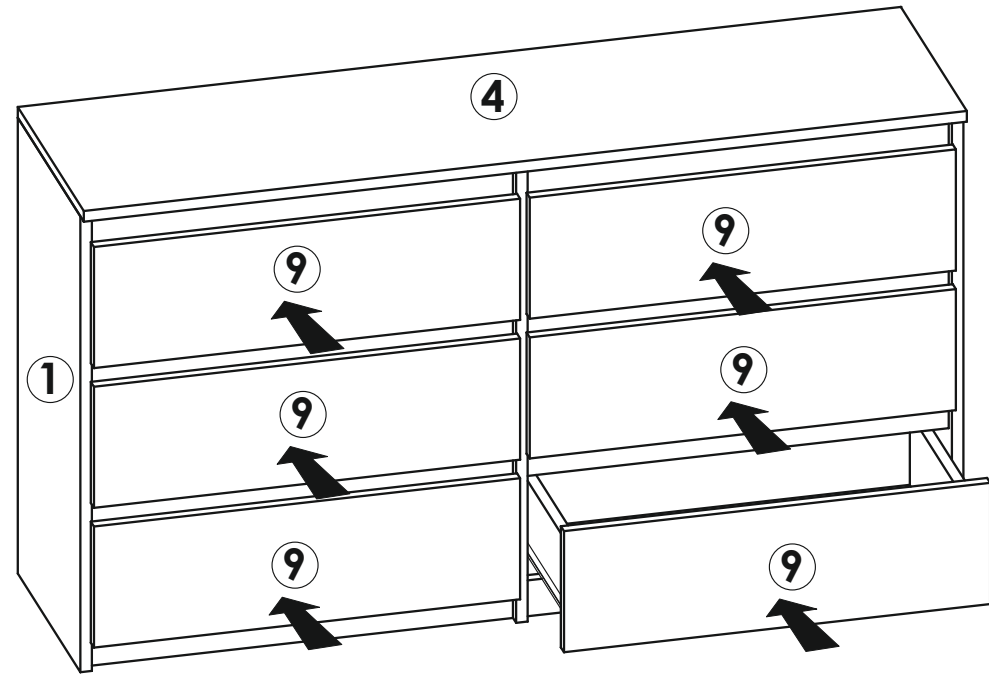
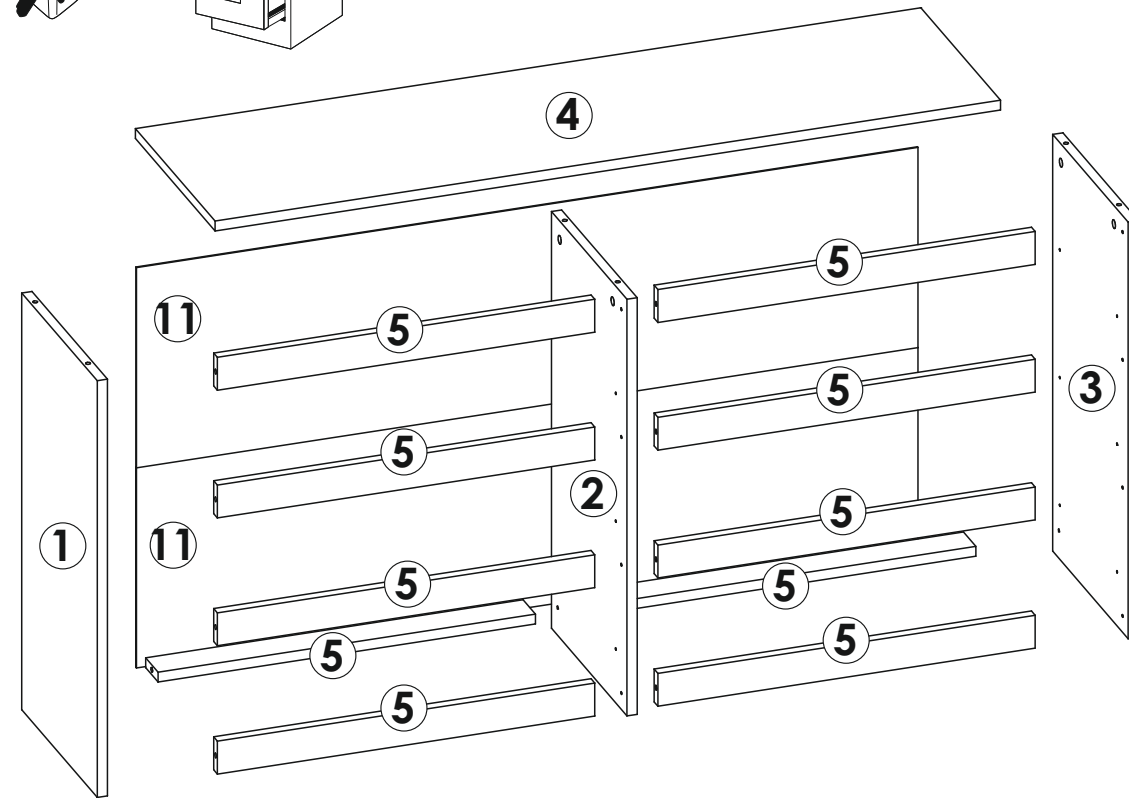
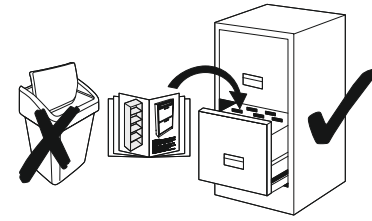
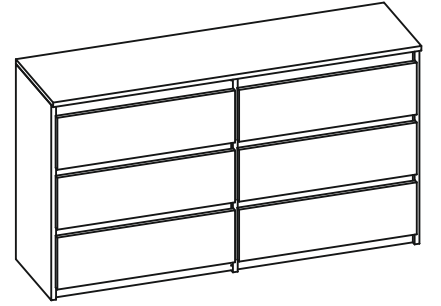


9

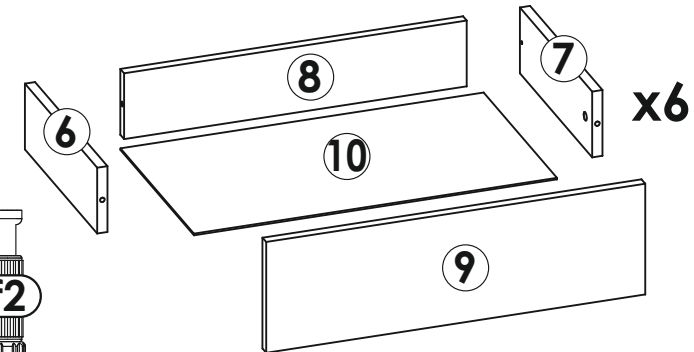
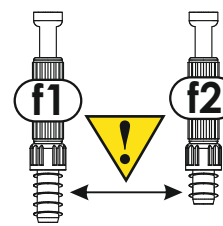
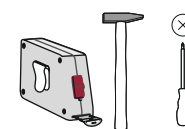


Stamford 120cm en 138cm



120 6S

| | | | |
|----|------|-----|-----|
| 1 | 760 | 365 | x1 |
| 2 | 760 | 365 | x1 |
| 3 | 760 | 365 | x1 |
| 4 | 1200 | 385 | x1 |
| 5 | 573 | 60 | x10 |
| 6 | 350 | 120 | x6 |
| 7 | 350 | 120 | x6 |
| 8 | 513 | 120 | x6 |
| 9 | 586 | 202 | x6 |
| 10 | 547 | 357 | x6 |
| 11 | 1193 | 357 | x2 |

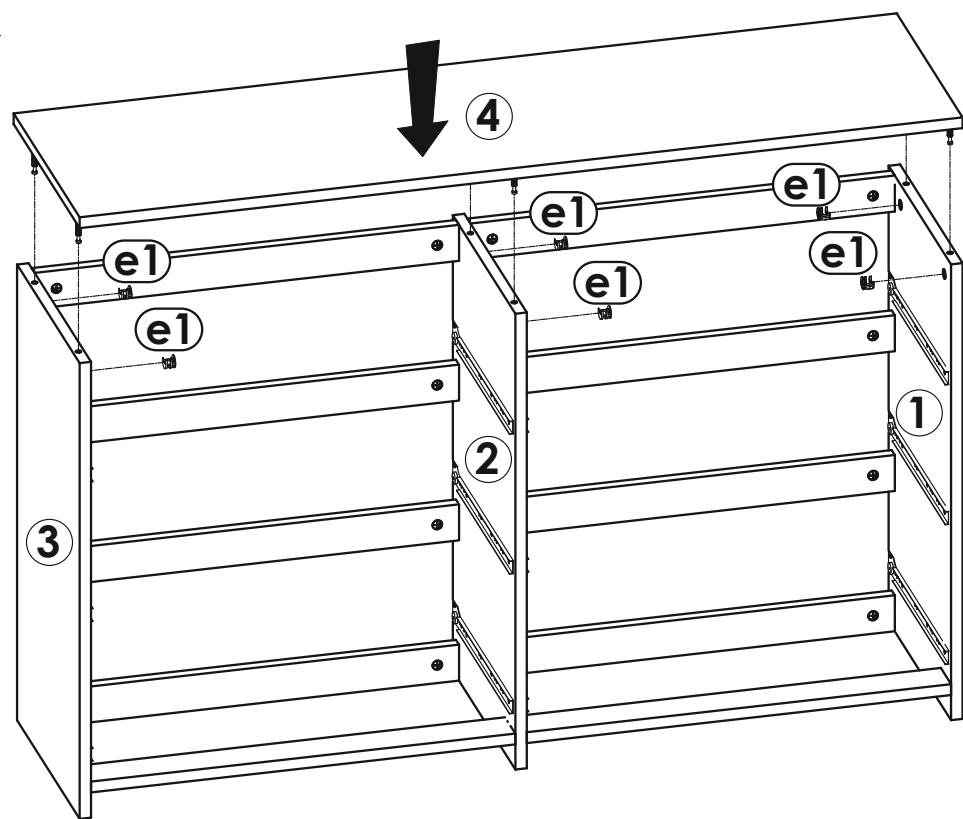


| | | | |
|-----|-----|-----|-------------|
| e1 | f1 | f2 | n7 |
| | | | |
| x50 | x40 | x10 | x24 |
| c9 | w1 | t35 | n4 |
| | | | |
| x6 | ~60 | x6 | 4x20 x24 |

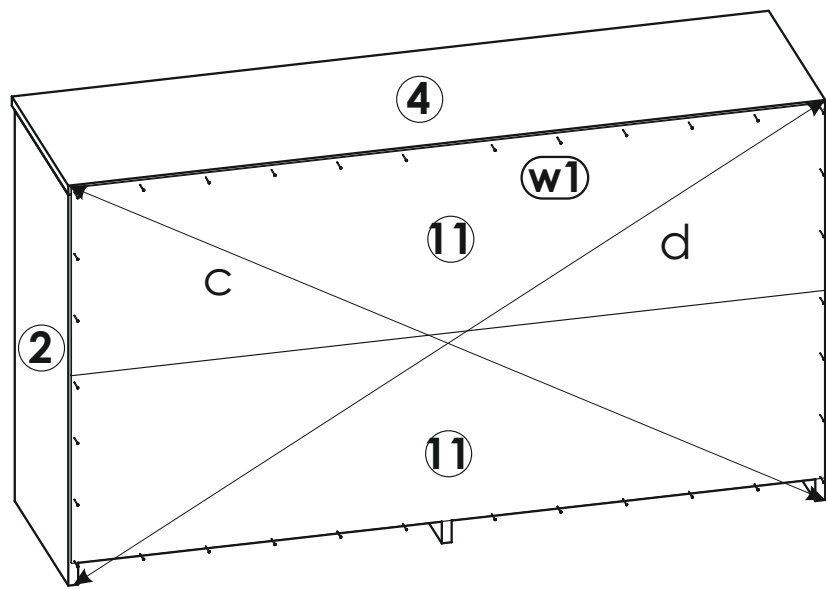
138 6S

| | | | |
|----|------|-----|-----|
| 1 | 760 | 365 | x1 |
| 2 | 760 | 365 | x1 |
| 3 | 760 | 365 | x1 |
| 4 | 1382 | 385 | x1 |
| 5 | 664 | 60 | x10 |
| 6 | 350 | 120 | x6 |
| 7 | 350 | 120 | x6 |
| 8 | 603 | 120 | x6 |
| 9 | 677 | 202 | x6 |
| 10 | 637 | 357 | x6 |
| 11 | 1375 | 357 | x2 |

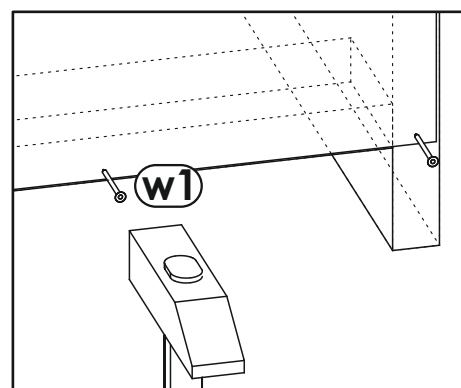
5



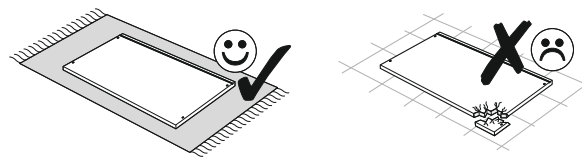
6



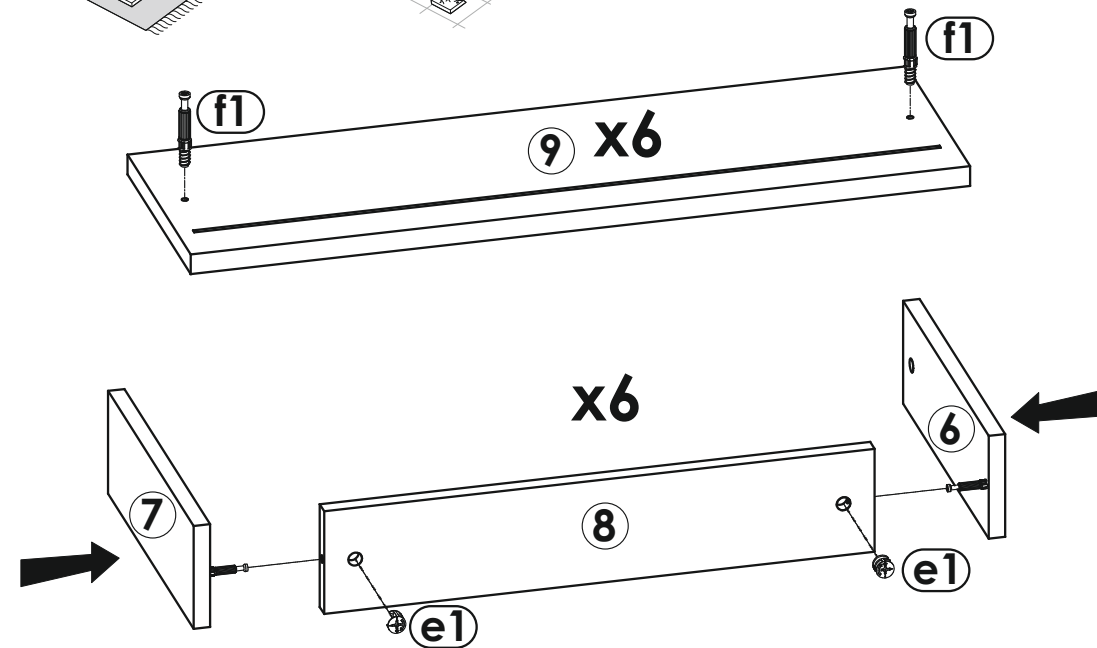
c=d



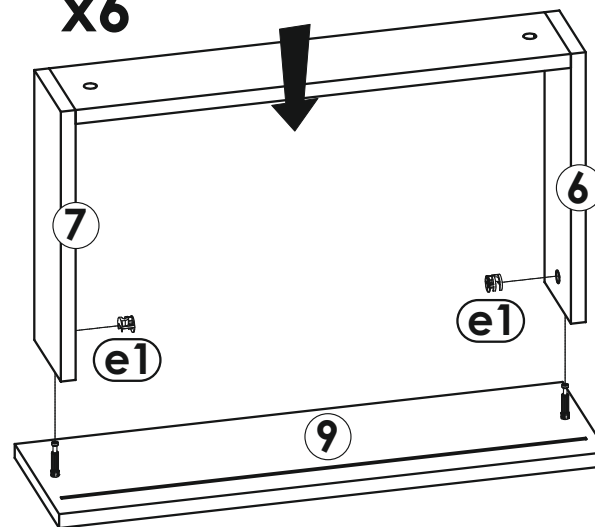
7



8



x6



a=b

