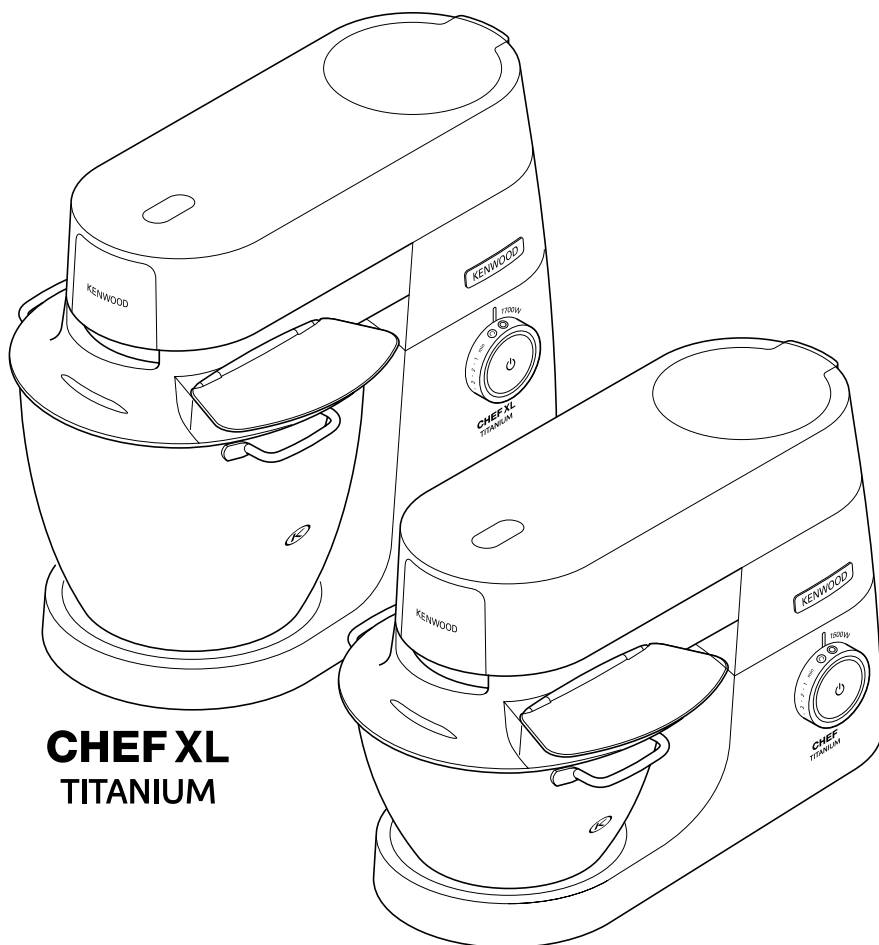


KENWOOD

TYPE KVC70 (Chef)

TYPE KVL80 (Chef XL)

instructions



CHEF XL
TITANIUM

CHEF
TITANIUM

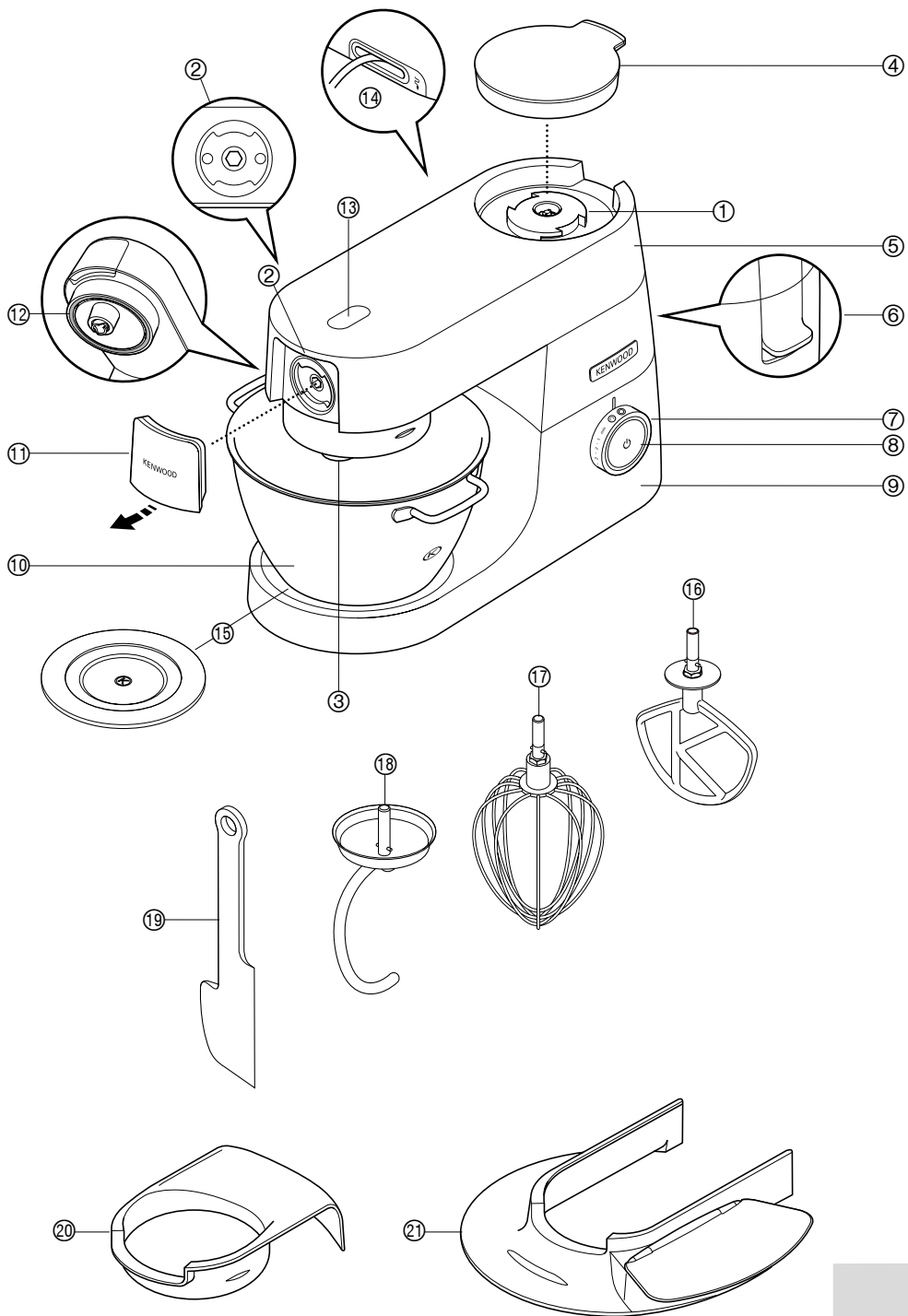
English

2 - 11

عربي

٢١ - ١٢



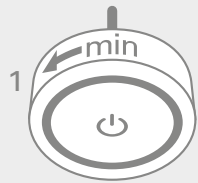




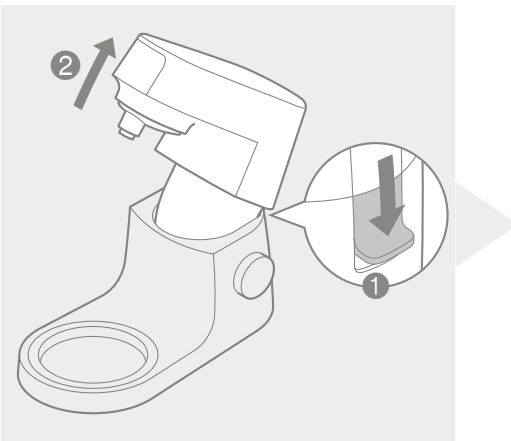
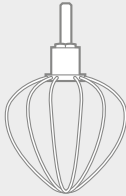
K beater

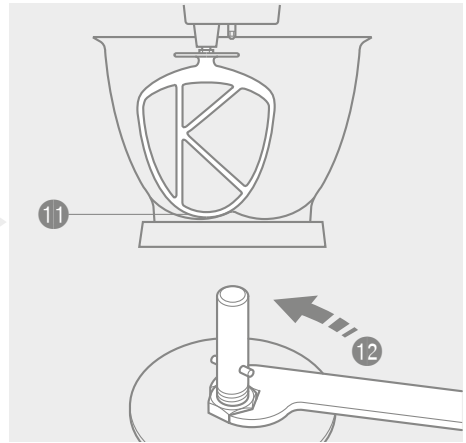
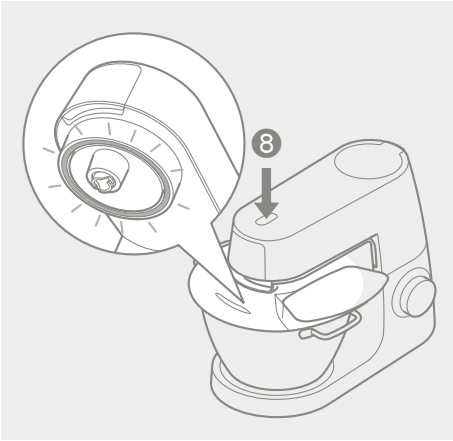
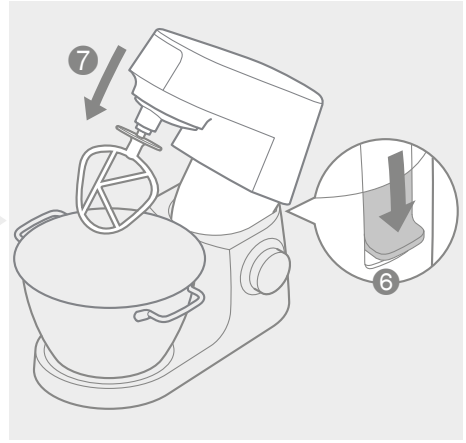
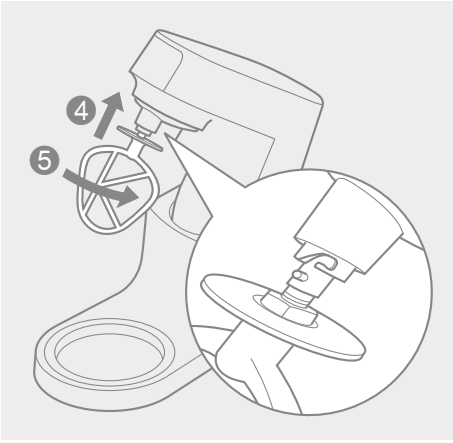


Dough hook



Whisk





Know your Kenwood Kitchen Machine

Congratulations on buying a Kenwood. With such a wide range of attachments available, it is more than just a mixer. It is a state-of-the-art Kitchen Machine. We hope you will enjoy it.

Robust. Reliable. Versatile. Kenwood.

Safety

- Read these instructions carefully and retain for future reference.
- Remove all packaging and any labels.
- If the cord is damaged it must, for safety reasons, be replaced by KENWOOD or an authorised KENWOOD repairer.
- Turn the speed control to 'O' OFF position and unplug before fitting or removing tools/attachments, after use and before cleaning.
- Keep your fingers away from moving parts and fitted attachments.
- Never leave the Kitchen Machine unattended when it is operating.
- Never use a damaged appliance. Get it checked or repaired: see 'service and customer care' section.
- Never operate the Kitchen Machine with the head in the raised position.
- Never let the cord hang down where a child could grab it.
- Never let the power unit, cord or plug get wet.
- Never use an unauthorised attachment or more than one attachment at once.
- Never exceed the quantities stated in the maximum capacity chart.
- When using an attachment, read and follow the safety instructions that are supplied with it.
- Take care when lifting this appliance as it is heavy. Ensure the head is correctly latched in the down position and that the bowl, tools, outlet covers and cord are secure before lifting.
- Take care when removing bowl tools after extended use as they may get hot.

- Ensure the cord is fully unfolded from the cord storage compartment ⑭ before using the Kitchen Machine.
- Children should be supervised to ensure that they do not play with the appliance.
- Do not move or raise the mixer head with an attachment fitted as the Kitchen Machine could become unstable.
- Do not operate your appliance near the edge of a work surface.
- Appliances can be used by persons with reduced physical, sensory or mental capabilities or lack of experience and knowledge if they have been given supervision or instruction concerning use of the appliance in a safe way and if they understand the hazards involved.
- Misuse of your appliance can result in injury.
- This appliance shall not be used by children. Keep the appliance and its cord out of reach of children.
- The maximum rating is based on the attachment that draws the greatest load. Other attachments may draw less power.
- Only use the appliance for its intended domestic use. Kenwood will not accept any liability if the appliance is subject to improper use, or failure to comply with these instructions.

before plugging in

important - UK only

- Make sure your electricity supply is the same as the one shown on the underside of your machine.
- The wires in the cord are coloured as follows:
Blue = Neutral, Brown = Live.
- The appliance must be protected by a 13A approved (BS1362) fuse.
- For non-rewireable plugs the fuse cover MUST be refitted when replacing the fuse. If the fuse cover is lost then the plug must not be used until a replacement can be obtained. The correct fuse cover is identified by colour and a replacement may be obtained from your Kenwood Authorised Repairer (see Service).
- If a non-rewireable plug is cut off it must be DESTROYED IMMEDIATELY. An electric shock hazard may arise if an unwanted non-rewireable plug is inadvertently inserted into a 13A socket outlet.
- This appliance conforms to EC Regulation 1935/2004 on materials and articles intended to come into contact with food.

before using for the first time

- Wash the parts: see 'care and cleaning' section.

Know your Kitchen Machine

Key

Attachment outlets

- ① high-speed outlet
- ② slow-speed outlet
- ③ bowl tool socket

Mixer

- ④ high speed outlet cover
- ⑤ mixer head
- ⑥ head release lever
- ⑦ speed and pulse control
- ⑧ standby button
- ⑨ power unit
- ⑩ bowl
- ⑪ slow speed outlet cover
- ⑫ in-bowl illumination
- ⑬ in-bowl illumination touch pad
- ⑭ cord storage compartment
- ⑮ bowl seating pad
- ⑯ K-beater
- ⑰ whisk
- ⑱ dough hook
- ⑲ spatula
- ⑳ head shield
- ㉑ splashguard


Note: Spanner ⑫ shown is for illustration purposes only and is not supplied in pack.

Optional attachments

There are a range of optional attachments available to use with your Kitchen Machine. See the attachment leaflet included in your pack or visit www.kenwoodworld.com to see the full range and how to buy an attachment not included in your pack.

Note: Slow Speed outlet attachments

The slow speed outlet on your Kitchen Machine model features the Twist Connection System. It is designed to accept Twist Connection System attachments.

When purchasing new attachments for the slow speed outlet you should check compatibility with your Kitchen Machine. All Twist Connection System attachments can be identified by the product code which starts with KAX and also by the Twist logo  which is visible on packaging. For more information visit www.kenwoodworld.com/twist.

If you own attachments featuring the Bar Connection System  you will need to use the KAT002ME adaptor to connect these to the Twist Connection System  on your Kitchen Machine.

For more information visit www.kenwoodworld.com/twist.

The bowl tools and some of their uses

K-beater

For making cakes, biscuits, pastry, icing, fillings, éclairs and mashed potato.

Dough Hook

For yeast mixtures only.

Whisk

For eggs, cream, batters, fatless sponges, meringues, cheesecakes, mousses, soufflés. Do not use the whisk for heavy mixtures (e.g. creaming fat and sugar) - you could damage it.

To use your bowl tools

Ensure the cord is fully unfolded from the cord storage compartment ⑭ before using the Kitchen Machine.

- 1 Plug in and the Standby Button ⑧ will light up.

Note: The standby button light ⑧ will flash and the Kitchen Machine will not operate if the mixer head is in the raised position or the speed control is not in the 'O' position. Before operating, check that the mixer head is correctly latched down and the speed control is in the 'O' position. If the light continues to flash refer to the 'troubleshooting guide'.

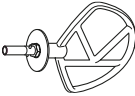
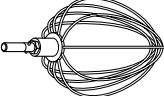
- 2 Push the head-lift lever ① down and raise the mixer head until it locks ②. Ensure the bowl seating pad ⑮ is correctly fitted with the ⑫ symbol uppermost.
- 3 Fit the bowl on the base, press down and turn clockwise ③ to secure in position.
- 4 Place the required tool into the socket. Then push up ④ and turn ⑤ the tool to lock into position.
Note: If the K-beater or Whisk are not picking up ingredients from the bottom of the bowl refer to the "Tool Adjustment" section.
- 5 Lower the mixer head by pushing the head release lever down ⑥ and lower the mixer head until it locks ⑦.
- 6 Start the machine by turning the speed control ⑦ to the desired speed setting. Use the pulse (P) position for short bursts of maximum speed.
- 7 After use, return the speed control to 'O' OFF position and unplug your Kitchen Machine.
- 8 Release the tool by turning clockwise to unlock from the tool socket and then remove.

Hints

- The fold function ⑨ can be used for folding light ingredients into heavier mixtures for example meringues, mousses, fruit foos, Genoese sponges and soufflés, and to slowly incorporate flour and fruit into cake mixtures. The mixer will operate at a constant slow speed.


Important

Ensure that no bowl tools are fitted or stored in the bowl when using other outlets.

Recommended Usage Chart						
Tool	Recipe/ Process	Maximum Capacities		⌚ * (Minutes)	⌚ (Minutes)	Hints and Tips
		Chef	Chef XL			
	Creaming butter/margarine and sugar	2.72kg (9 Egg mix)	4.55kg (15 Egg mix)	Min → Max	4	<ul style="list-style-type: none"> To avoid splashing of ingredients gradually increase the speed. When creaming fat and sugar for cake mixes, always use the fat at room temperature or soften it first. To fully incorporate the ingredients stop mixing and scrape down the bowl with the spatula frequently. Use cold ingredients for pastry unless your recipe says otherwise.
	Beating eggs into cake mixes			Min → Max	1 – 4	
	Folding in flour, fruit etc			Min → 1	30 – 60 secs	
	Pastry & Biscuits – rubbing fat into flour	Flour Weight	680g	910g	Min → 2	
All In one cake mixes	Total Weight	2kg	5kg	Min → Max	45 – 60 secs	
	Egg whites	12 (455g)	16 (605g)	Min → Max	1½ – 2	Important <ul style="list-style-type: none"> To avoid splashing of ingredients gradually increase the speed. The whisk is not suitable for making all in one cake mixes as these mixes are too heavy and will damage it. Best results achieved when eggs are at room temperature. Before whisking egg whites, make sure there is no grease or egg yolk on the whisk or the bowl.
	Fatless sponges	620g (6 Egg Mix)	930g (9 Egg Mix)	Min → Max	4 – 6	
	Cream (Fresh whipping cream used, 38% fat content. Processing times may vary, depending on fat content of cream)	1L	2L	Min → 4-6	1½ – 3	
	Mayonnaise	Egg yolk	2	Max	1 – 1½	
		Mustard	10g			
		Vegetable Oil	200ml			
Pancake Batter	Flour	250g		'Min' speed for 10 secs. Then increase to max speed for 45 – 60 secs	1	<ul style="list-style-type: none"> Add flour to the bowl first, followed by the wet ingredients. Mix on minimum speed to incorporate ingredients.
	Milk	500g				
	Eggs	200g				

Eggs sizes used = medium sized (Weight 53 – 63g)

* **This is for guidance only and will vary depending on the exact recipe and ingredients being processed**

Tool	Recipe/ Process		Maximum Capacities		⌚ * (Minutes)	⤵	Hints and Tips
			Chef	Chef XL			
Dough Hook (For Yeasted Dough Mixes) 	Bread Dough (stiff yeasted)	Flour Weight	350g – 1.36kg	350g – 1.6kg	60 secs	Min	Important <ul style="list-style-type: none"> Never exceed the maximum capacities stated – you may overload the machine. If you hear the machine labouring, switch off, remove half the dough and do each half separately. The ingredients mix best if you put the liquid in first. Yeast <ul style="list-style-type: none"> Dried yeast (the type that needs reconstituting): pour the warm water into the bowl. Then add the yeast and the sugar and leave to stand for about 10 minutes until frothy. Fresh yeast: crumble into the flour. Other types of yeast: follow the manufacturer's instructions. Put the dough into a greased polythene bag or a bowl covered with a tea towel. Then leave somewhere warm until doubled in size.
		Total Weight	564g – 2.18kg	564g – 2.58kg	60 secs	Re-knead Speed 1	
	Soft yeasted dough (enriched with butter and eggs)	Flour Weight	250g – 1.3kg	250g – 2.6kg	60 secs	Min	
		Total Weight	478g – 2.5kg	478g – 5kg	3 – 4 60 secs	1 Re-knead Speed 1	

Eggs sizes used = medium sized (Weight 53 – 63g)

* This is for guidance only and will vary depending on the exact recipe and ingredients being processed

To use your in-bowl illumination

- Your Kitchen Machine is fitted with an in-bowl illumination feature ⑫ located on the underside of the mixer head.
- To turn on and off, lightly press the in-bowl illumination touch pad ⑧.

To remove and fit outlet covers

High-speed outlet cover ④

- 1 To remove the cover, use the grip on the side and lift upwards.
- 2 To fit, place the cover over the outlet and push downwards.

Slow-speed outlet cover ⑪

- 1 To remove the cover, use the grip on the underside and pull outwards.
- 2 To fit, locate the catch at the top of the cover into the outlet recess and push to clip into position.

To fit and use your Splashguard

To assemble

The splashguard assembly consists of 2 pieces: the head shield ⑳ and the splashguard ㉑.

The splashguard cannot be fitted to the bowl unless the shield is fitted.

- 1 Raise the mixer head until it locks.
- 2 Clip the head shield upwards onto the underside of the mixer head ⑨ until fully located.
- 3 Fit the bowl onto the base.
- 4 Lower the mixer head.
- 5 Rest the splashguard on the bowl rim and then slide forward until fully located ⑩.

- During mixing, ingredients can be added directly to the bowl via the feed chute.
- 6 To remove the splashguard simply slide it away from the mixer bowl.
 - 7 To remove the head shield, raise the mixer head until it locks. Remove the tool if fitted, then pull the head shield downwards from the underside of the mixer head.

Note: Only fit or remove the splashguard when the mixer head is in the locked position.

We recommend that the head shield is removed regularly from the mixer head for cleaning.

Tool Adjustment

K-beater & Whisk

The tools are set to the correct height for the bowl supplied in the factory and should not require adjustment.

However, if you wish to adjust the tool use a suitable sized spanner:

TYPE KVC70 = 15mm

TYPE KVL80 = 19mm

Then follow the instructions below:

- 1 Unplug the appliance.
 - 2 Raise the mixer head and insert the whisk or beater.
 - 3 Lower the mixer head. If the clearance needs to be adjusted, raise the mixer head and remove the tool. Ideally the whisk and K-beater should be **almost** touching the bottom of the bowl **11**.
 - 4 Using a suitable spanner loosen the nut sufficiently to allow adjustment of the shaft **12**. To lower the tool closer to the bottom of the bowl, turn the shaft anti-clockwise. To raise the tool away from the bottom of the bowl turn the shaft clockwise.
 - 5 Re-tighten the nut.
 - 6 Fit the tool to the mixer and lower the mixer head. (Check its position see points above).
 - 7 Repeat the above steps as necessary until the tool is set correctly. Once this is achieved tighten the nut securely.
- Note: Spanner **12** shown is for illustration purpose only.

Dough Hook

This tool is set at the factory and should require no adjustment.

Care & Cleaning

- Always switch off and unplug before cleaning.
- A little grease may appear at the slow speed outlet **2** when you first use it. This is normal – just wipe it off.

Power Unit And Outlet Covers

- Wipe with a damp cloth, then dry.
- Never use abrasives or immerse in water.
- Store excess cord into the cord storage compartment **14** at the back of the machine.

Bowl

- Wash by hand, then dry thoroughly or wash in the dishwasher.
- Never use a wire brush, steel wool or bleach to clean your stainless steel bowl. Use vinegar to remove limescale.
- Keep away from heat (cooker tops, ovens, microwaves).

Tools & Splashguard

- Wash by hand, then dry thoroughly or wash in the dishwasher.

recipe

chilli marinade

300g cold clear runny honey (refrigerated overnight)

1 chilli (whole)

5ml (1tsp) crunchy peanut butter

Seasoning

- 1 Place all the ingredients into the mini chopper/mill.
- 2 Fit the attachment to the Kitchen Machine and allow the ingredients to settle around the blade.
- 3 Switch to pulse for 4 seconds.
- 4 Use as required.

Service and Customer Care

If you experience any problems with the operation of the appliance, before calling for assistance refer to the troubleshooting guide or visit www.kenwoodworld.com.

If you need help with:

- using your appliance
 - servicing or repairs (in or out of guarantee)
- ☎ call Kenwood customer care on 023 9239 2333. **Have your model number (e.g. TYPE KVC70 or TYPE KVL80) and date code (5 digit code e.g. 13L35) ready.** They are on the underside of the power unit.
- **spares and attachments**
- ☎ call 0844 557 3653.
- other countries**
- If you experience any problems with the operation of your appliance, before requesting assistance refer to the “troubleshooting guide” section in the manual or visit www.kenwoodworld.com.
 - Please note that your product is covered by a warranty, which complies with all legal provisions concerning any existing warranty and consumer rights in the country where the product was purchased.
 - If your Kenwood product malfunctions or you find any defects, please send it or bring it to an authorised KENWOOD Service Centre. To find up to date details of your nearest authorised KENWOOD Service centre visit www.kenwoodworld.com or the website specific to your Country.




- Designed and engineered by Kenwood in the UK.
- Made in China.



IMPORTANT INFORMATION FOR CORRECT DISPOSAL OF THE PRODUCT IN ACCORDANCE WITH THE EUROPEAN DIRECTIVE ON WASTE ELECTRICAL AND ELECTRONIC EQUIPMENT (WEEE)

At the end of its working life, the product must not be disposed of as urban waste. It must be taken to a special local authority differentiated waste collection centre or to a dealer providing this service. Disposing of a household appliance separately avoids possible negative consequences for the environment and health deriving from inappropriate disposal and enables the constituent materials to be recovered to obtain significant savings in energy and resources. As a reminder of the need to dispose of household appliances separately, the product is marked with a crossed-out wheeled dustbin.

Troubleshooting guide

Problem	Cause	Solution
The whisk or K-beater knocks against the bottom of the bowl or not reaching the ingredients in the bottom of the bowl.	Tool at the wrong height and needs adjusting.	Adjust the height using a suitable spanner – see “Tool Adjustment” section.
Slow speed attachment cannot be fitted.	Check your attachment is compatible for use with your model. Twist connection system required (Model KAX) 	Attachment must have the KAX twist connection system  to fit the outlet. If you own attachments featuring the Bar Connection System  you will need to use the KAT002ME adaptor to connect these to the Twist Connection System on your Kitchen Machine. <i>For more information visit www.kenwoodworld.com/twist.</i>
Standby light flashing when Kitchen Machine first plugged in.	Speed control not in the ‘O’ position. Mixer head in the raised position or not locked down correctly.	Check and turn speed control to the ‘O’ position. Check Kitchen Machine head is locked down correctly.
The Kitchen Machine stops during operation. Standby light flashing rapidly.	Overload protection or overheat system activated. Maximum capacity exceeded.	Unplug and check for obstruction or overloading. Turn the speed control to “O” and then restart. If the machine will not operate, remove some of the ingredients to reduce the load and restart. If this still does not resolve the problem, unplug and allow to stand for 15 minutes. Plug in and reselect the speed. If the machine does not restart following the above procedure contact “customer care” for further advice.
Standby light off whilst machine plugged in.	Kitchen machine has been left plugged in for more than 30 minutes without being operated and has gone into Standby mode.	Press the Standby button once to reset.

دليل استكشاف المشكلات وحلها

المشكلة	السبب المحتمل	الحل
خفاقة البيض أو مضرب العجين يقرع قاع الوعاء أو لا يصل إلى المكونات الموجودة في قاع الوعاء.	ارتفاع الأداة غير صحيح وتحتاج لضبط ارتفاعها.	اضبطي طول الأداة باستخدام مفتاح ربط لتعديل الارتفاع - راجعي قسم "ضبط الأداة".
ملحق السرعة المنخفضة لا يمكن تركيبه.	تأكد من توافق الملحق مع الاستخدام مع موديل الجهاز لديك. يتطلب نظام Twist connection system (الموديل (KAX) (TWIST))	يجب أن شعار KAX الخاص بنظام twist connection system موجوداً على الملحق حتى تتمكني من تركيبه في المخرج. إذا كان لديك ملحقات تعما . على نظام Bar Connection System (BAR) . ففي هذه الحالة ستحتاجين إلى استخدام منظم KAT002ME حتى يمكنك توصيل هذه الملحقات مع نظام twist connection system الموجود في موديل جهاز المطبخ المتكامل لديك. لمزيد من المعلومات زوري الموقع: www.kenwoodworld.com/twist
يومض ضوء زر وضع الاستعداد عند توصيل جهاز المطبخ المتكامل عند توصيله بالتيار الكهربائي للمرة الأولى.	مفتاح التحكم في السرعات غير موجه على موضع إيقاف التشغيل "O". رأس الخلاط مرفوعة أو غير مثبتة بشكل صحيح في الوضع المنخفض في موضع التعشيق.	تأكد من مفتاح التحكم في السرعات وتوجيهه على موضع إيقاف التشغيل "O". تأكد من إنزال رأس جهاز المطبخ المتكامل بشكل صحيح لأسفل وتعشيقها في موضعها.
يتوقف جهاز المطبخ المتكامل خلال التشغيل. يومض ضوء زر وضع الاستعداد بشكل سريع.	تم تنشيط وظيفة الحماية ضد التحميل الزائد أو الارتفاع المفرط لدرجة حرارة الجهاز. تم تجاوز السعة القصوى المحددة. افصلي الجهاز عن مصدر التيار الكهربائي وتأكد من عدم وجود أي انحشار أو عالق أو تحميل زائد.	لضي مفتاح التحكم في السرعات إلى وضع إيقاف التشغيل "O" ثم أعيدي تشغيل الجهاز مرة أخرى. في حالة عدم عمل الجهاز، ففي هذه الحالة أزيل كمية من المكونات لتقليل الحمل وأعيدي تشغيل الجهاز. إذا لم يساعد ذلك في حل المشكلة، افصلي الجهاز عن مصدر التيار الكهربائي واتركه ١٥ دقيقة ليبرد. وصلي الجهاز بمصدر التيار الكهربائي وأعيدي تحديد السرعة المطلوبة. في حالة عدم عمل الجهاز بعد الإجراءات السابقة، ففي هذه الحالة اتصلي بمركز خدمة العملاء' لطلب المساعدة.
ضوء زر وضع الاستعداد مطفأ على الرغم من توصيل الجهاز بمصدر التيار الكهربائي.	تم توصيل جهاز المطبخ المتكامل بمصدر التيار الكهربائي لمدة أطول من ٣٠ دقيقة دون استخدامه وبذلك دخل الجهاز في وضع الاستعداد.	اضغطي على زر وضع الاستعداد مرة أخرى لإعادة تشغيل الجهاز.

الخدمة ورعاية العملاء

الخدمة ورعاية العملاء

- في حالة مواجهة أية مشكلة متعلقة بتشغيل الجهاز، قبل الاتصال لطلب المساعدة، يرجى مراجعة قسم «دليل اكتشاف المشكلات وحلها» في الدليل أو زيارة موقع الويب www.kenwoodworld.com.
- يرجى الملاحظة بأن جهازك مشمول بضمان، هذا الضمان يتوافق مع كافة الأحكام القانونية المعمول بها والمتعلقة بحقوق الضمان والمستهلك في البلد التي تم شراء المنتج منها.
- في حالة تعطل منتج Kenwood عن العمل أو في حالة وجود أي عيوب، فيرجى إرساله أو إحضاره إلى مركز خدمة معتمد من KENWOOD. للحصول على معلومات محدثة حول أقرب مركز خدمة معتمد من KENWOOD، يرجى زيارة موقع الويب www.kenwoodworld.com، أو موقع الويب المخصص لبلدك.
- تصميم وتطوير Kenwood في المملكة المتحدة.
- صنع في الصين.



معلومات هامة هو الكيفية الصحيحة للتخلص من المنتج وفقاً لتوجيهات الاتحاد الأوروبي المتعلقة بنفايات المعدات الكهربائية والإلكترونية (WEEE)

في نهاية العمر التشغيلي للجهاز، يجب عدم التخلص من الجهاز في نفايات المناطق الحضرية. بل يجب أخذه إلى مركز تجميع خاص بجهة محلية متخصصة في التخلص من هذه النفايات أو إلى تاجر يقدم هذه الخدمة. التخلص من الأجهزة المنزلية على نحو منفصل، يجنب الآثار السلبية المحتملة على البيئة والصحة والتي تنتج عن التخلص من هذه النفايات بطريقة غير مناسبة، كما أن هذه العملية تسمح باسترداد المواد المكونة الأمر الذي يتيح الحصول على وفورات كبيرة في مجال الطاقة والموارد. للتذكير بضرورة التخلص من الأجهزة المنزلية على نحو منفصل، يوجد على الجهاز صورة مشطوبة لسلة قمامة ذات عجلات.

- أوقفى دائماً تشغيل الجهاز وافصليه عن مصدر التيار الكهربائي قبل التنظيف.
- قد تظهر طبقة طافية من الشحم على مخرج السرعة المنخفضة ② في المرة الأولى لاستخدامه.
- هذا أمر طبيعي - فقط امسحها.

وحدة الطاقة (الموتور) وأغطية المخارج

- مسح بقطعة قماش رطبة ثم التجفيف.
- يحذر استخدام المواد الكاشطة أو الغمر في الماء.
- ادفعي ما يزيد عن حاجتك من السلك الكهربائي إلى داخل مكان تخزين السلك ⑭ الموجود في الجهاز من الخلف.

السلطانية

- غسيل يدوي ثم التجفيف جيداً أو غسيل في غسالة الأطباق.
- يحذر استخدام فرشاة من السلك أو الصوف المعدني أو مواد التبييض عند تنظيف الوعاء المصنوع من الصلب عديم الصدأ.
- استخدمى الخل لإزالة الطبقة الجيرية.
- أبعديه عن مصادر الحرارة (سطح الموقد، الأفران، المايكروويف).

الأدوات ومانع الرذاذ

- غسيل يدوي ثم التجفيف جيداً أو غسيل في غسالة الأطباق.

وصفة التحضير

تتبيلة الفلفل

- ٣٠٠ غرام عسل نحل صافي وبارد (موضوع داخل الثلجة أثناء الليل)
- ١ ثمرة فلفل (كاملة)
- ٥ مل (١ ملعقة صغيرة) زبدة فول سوداني خشنة
- ١ ضعي كل المكونات في القطاعة/المطحنة الصغيرة.
- ٢ ركبى الملحق في جهاز المطبخ المتكامل واسمحي للمكونات بملء الفراغات حول سكين التقطيع.
- ٣ شغلي الجهاز على وضع التشغيل النبضي لمدة ٤ ثوان.
- ٤ استخدمى التتبيلة حسب الحاجة.

مضرب العجين K والخفاقة

يتم ضبط ارتفاع الأدوات على الارتفاع الصحيح لها داخل السلطانية في المصنع لدى تزويد الجهاز بحيث لا تتطلب أي ضبط إضافي. وعلى الرغم من ذلك، إذا لزم ضبط ارتفاع الأدوات ففي هذه الحالة استخدمى مفتاح ربط بحجم مناسب.

TYPE KVC70 = ١٥ مم

TYPE KVL80 = ١٩ مم

ثم اتبعي التعليمات التالية:

- ١ افصلي الجهاز عن مصدر التيار الكهربائي.
- ٢ ارفعي رأس الخلاط وركبي خفاقة البيض أو المضرب.
- ٣ اخفضي رأس الخلاط، إذا كانت المسافة تحتاج إلى الضبط. ارفعي رأس الخلاط وأزيلي الأداة من المثالي أن يمس المضرب/ الخفاقة K بالكاد قاع الوعاء ⑩.
- ٤ باستخدام مفتاح الربط المزود فكي الصامولة بشكل كاف للسماح بتعديل محور الدوران ⑫ لخفض الأداة في اتجاه قاع السلطانية. لفي محور دوران في اتجاه عكس عقارب الساعة. لرفع الأداة بعيداً عن قاع الوعاء، لفي محور الدوران في اتجاه عقارب الساعة.
- ٥ أعيدي إحكام ربط الصامولة.
- ٦ ركبى الأداة في الخلاط وخفضي رأس الخلاط. (تأكدى من موضع الأداة بالنسبة لقاع السلطانية، راجعى النقاط السابقة).
- ٧ كرري الخطوات السابقة حسب الحاجة حتى يتم ضبط الأداة بشكل صحيح. بمجرد الوصول إلى المسافة الصحيحة أحكمى ربط الصامولة.
- ملاحظة: مفتاح الربط ⑫ المبين في الشكل التوضيحي لأغراض الإيضاح فقط.

خطاف العجين

تم ضبط هذه الأداة في المصنع ولا تحتاج لأي ضبط.

استخدام الإضاءة داخل السلطانية

- جهاز المطبخ المتكامل لديك مجهز بخاصية إضاءة داخل السلطانية ⑫ موجودة في الجزء السفلي من رأس الخلاط.
- لتشغيل هذه الخاصية أو إيقافها، اضغطي برفق على لوحة اللمس الخاصة بالإضاءة داخل السلطانية ⑧.

إزالة وتركيب أغطية المخارج

غطاء مخرج السرعة العالية ④

- ١ لإزالة الغطاء، استخدم المقبض الموجود على الجانب وارفعيه لأعلى.
- ٢ لتركيب الغطاء، ضعي الغطاء على المخرج واضغطي عليه لأسفل.

غطاء مخرج السرعة المنخفضة ⑪

- ١ لإزالة الغطاء، استخدم المقبض الموجود على الجانب السفلي واسحبه للخارج.
- ٢ لتركيب الغطاء، ركيب الماسكة الموجودة على الجانب العلوي للغطاء في تجويف المخرج وادفعي الغطاء ليستقر في موضع التثبيت محدثاً صوت طقطة.

تركيب واستخدام مانع الرذاذ

التركيب

يتكون وافي الرذاذ من قطعتين: وافي رأس الخلاط ⑳ ومانع الرذاذ ㉑.

لا يمكن تركيب مانع الرذاذ في السلطانية بدون تركيب وافي رأس الخلاط.

١ ارفعي رأس الخلاط حتى تستقر في موضع التثبيت.

٢ اشبكي وافي الرذاذ لأعلى الجانب السفلي من رأس الخلاط ⑨ حتى يتم تركيبه بالكامل.

٣ ركيب السلطانية على القاعدة.

٤ اخفضي رأس الخلاط.

٥ ضعي وافي الرذاذ على حافة السلطانية وحركيه للأمام حتى يستقر بالكامل في موضعه الصحيح ⑩.

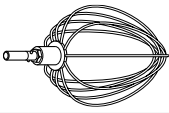

• أثناء عملية الخلط، يمكن إضافة المكونات مباشرة إلى السلطانية عن طريق أنبوب إدخال المكونات.

٦ لإزالة وافي الرذاذ، اسحبه بعيداً عن سلطانية الخلاط.

٧ لإزالة الواقي رأس الخلاط، ارفعي رأس الخلاط حتى تستقر في موضع التثبيت. أزيل الأداة المستخدمة في حالة تركيبها ثم اسحبي وافي رأس الخلاط لأسفل من الجزء السفلي من رأس الخلاط.

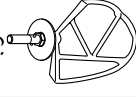
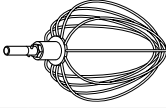
ملاحظة: ركيب أو أزيل وافي الرذاذ فقط عندما تكون رأس الخلاط في موضع التثبيت.

نوصي بإزالة وافي رأس الخلاط بانتظام عن رأس الخلاط لتنظيفه.

تلميحات ونصائح	* (رقائق)	⌚	الساعات القصوى		الوصفة/الطريقة	الأداة	
			Chef XL	Chef			
<ul style="list-style-type: none"> • أضعفي الدقيق إلى السلطانية أولاً متبوعاً بالمكونات المتبلة. • اخلطي على السرعة «Min» لدمج المكونات. 	١	السرعة "Min" لمدة ١٠ ثوان ثم الزيادة إلى السرعة "Max" لمدة ٤٥ إلى ٦٠ ثانية	٢٥٠ غرام	٢٥٠ غرام	خلطة البانكيك	الخطقة 	
<p>هام</p> <ul style="list-style-type: none"> • يحدد تجاوز الساعات القصوى المحددة - فقد تتسبب في حمل زائد على الجهاز. • في حالة سماع صوت الجهاز مغلقاً، فإيقاف التشغيل وإزيلي نصف العجين ثم تعاملي مع كل نصف على منفرداً. • للحصول على أفضل نتائج لخطأ المكونات أضعفي السوائل أولاً في السلطانية. <p>الخميرة:</p> <ul style="list-style-type: none"> • الخميرة الجافة (النوع الذي يحتاج إعادة تشكيل): صببي الماء الدافئ في الوعاء، ثم أضعفي الخميرة والسكر واتركيها تهبطاً لمدة ١٠ دقائق حتى تتكون رغوة. • الخميرة الطازجة: فنتيها داخل الدقيق. • أنواع الخميرة الأخرى: اتبعي تعليمات المصنع. • ضعفي العجينة في كيس بلاستيك مدهون بالزيت أو سلطانية ومغطاة بغطاء. ثم اتركها في مكان دافئ حتى يتضاعف حجمها. 	٦٠ ثانية ٤ - ٣	"Min"	٢٥٠ غرام ١,٦ إلى ١,٣٦ كيلوغرام	٢٥٠ غرام ١,٣٦ إلى ١,٦ كيلوغرام	عجين الخبز (عجينة الخميرة السمكية)	خطاف العجين (خلطات العجين المخمر) 	
	٦٠ ثانية	إعادة العجن على السرعة ١	٥٦٤ غرام ٢,٥٨ إلى ٢,١٨ كيلوغرام	٥٦٤ غرام ٢,١٨ إلى ٢,٥٨ كيلوغرام	وزن الدقيق		
	٦٠ ثانية	"Min"	٢٥٠ غرام ٢,٦ إلى ٢,٣٦ كيلوغرام	٢٥٠ غرام ١,٣ إلى ١,٦ كيلوغرام	وزن الدقيق الوزن الإجمالي	عجينة الخميرة الخفيفة (غنية بالزبد والبيض)	
	٦٠ ثانية ٤ - ٣	إعادة العجن على السرعة ١	٤٧٨ غرام ٥ إلى ٥ كيلوغرام	٤٧٨ غرام ٢,٥ إلى ٢,٥ كيلوغرام	وزن الدقيق الوزن الإجمالي		

حجم البيض المستخدم = الحجم المتوسط (بوزن بين ٥٢ إلى ٦٣ غرام)
 الأمانة المعروضة هي أمانة إرشادية فقط وتختلف حسب الوصفة والمكونات المستخدمة

جدول توصيات الاستخدام

تلميحات ونصائح	Ⓛ (بمئات) *	Ⓜ	السعات القصوى		الأداة
			Chef XL	Chef	
<ul style="list-style-type: none"> • تجنب تطاير رذاذ عن المكونات، ارفعي السرعة تدريجياً. • استخدمي الزبد أو السمن في درجة حرارة الغرفة عند خلطه مع السكر لتحضير خلطات الكيك أو قومي بتليئه أولاً. • لدمج المكونات بالكامل، أوقفي عملية الخلط واكشطي جوانب السلطانية باستخدام ملعقة التقليب بانتظام. • استخدمي مكونات باردة لتحضير الحلويات ما لم تذكر الوصفة خلاف ذلك. 	٤	"Max" ← "Min"	٤,٥٥ كيلوغرام (خلطة ٩ بيضات)	٢,٧٢ كيلوغرام (خلطة ٩ بيضات)	الضرب K 
	٤ - ١	"Max" ← "Min"	٩٣٠ كيلوغرام (خلطة ٩ بيضات)	٦٢٠ كيلوغرام (خلطة ٦ بيضات)	مزج الزبد/السمن مع السكر خفق البيض داخل خلطات الكعكات
	٢٠ - ٣٠ دقيقتان	١ ← "Min"	٩١٠ غرام	٦٨٠ غرام	طَي الدقيق والفاكهة وما شابه المعجنات والبسكويت - خلط السمن مع الدقيق
	٢	٢ ← "Min"	٩١٠ غرام	٦٨٠ غرام	خلطات الكعكات الجاهزة
<ul style="list-style-type: none"> • هام • تجنب تطاير رذاذ عن المكونات، ارفعي السرعة تدريجياً. • خفافة البيض غير مناسبة للاستخدام مع خلطات الكعكات الجاهزة حيث أن قوام هذه الكعكات نخبين وسوف تنتسب في تلفها. • يمكن الحصول على أفضل النتائج عندما تكون درجة حرارة البيض هي نفس درجة حرارة الغرفة. • قبل خفق بياض البيض، تأكدي من عدم وجود زيت أو صفار بيض على مضرب البيض أو السلطانية. • للحصول على أفضل النتائج، اكشطي جوانب السلطانية بعد إضافة الزيت ثم شغلي الجهاز لمدة ١٠ ثواني إضافية على السرعة العالية. 	٢ - ١ ½	"Max" ← "Min"	١٦ (٦٠٥ غرام)	١٢ (٤٥٥ غرام)	الخفافة 
	٦ - ٤	"Max" ← "Min"	٩٣٠ كيلوغرام (خلطة ٩ بيضات)	٦٢٠ كيلوغرام (خلطة ٦ بيضات)	بياض البيض الخلطات الإسفنجية الخالية من الدهون
	٣ - ١ ½	٤-٦ ← "Min"	٢ لتر	١ لتر	القسدة (قسدة خفق طازجة بنسبة ٢٨٪ من المكونات دهون. تختلف أزمنة المعالجة وفقاً لدرجة الدهون في القسدة)
	١ - ١ ½	"Max"	٢	١٠٠ غرام ٢٠٠ مل	المايونيز صفار بيض الخردل زيت نباتي

حجم البيض المستخدم = الحجم المتوسط (بوزن بين ٥٣ إلى ٦٣ غرام)
* الأزرمة المعروضة هي أزرمة إرشادية فقط وتختلف حسب الوصفة والمكونات المستخدمة

استخدام الخلاط

٨ أزيل الأداة عن طريق لفها في اتجاه عقارب الساعة لتحريرها عن مقبس إلحاق الأداة ثم أزيلها.

تلميحات

- يمكن استخدام وظيفة الطي لطي المكونات الخفيفة داخل خلطات ثخينة، مثل المرغ والموس ومهروس الفواكه مع الكريمة والكعكات الأسفنجية والسوفليه ولطي الدقيق ببطء في خلطات الكعكات. سيعمل الخلاط على سرعة منخفضة ثابتة.

هام

تأكد من عدم تركيب أو تخزين أي أداة أخرى خاصة بالسلطانية عند استخدام محارج أخرى.

تأكد من أن السلك الكهربائي مفروود بالكامل عن تجويف تخزين السلك الكهربائي (14) قبل استخدام جهاز المطبخ المتكامل. ١) وصلي الجهاز بمصدر التيار الكهربائي، سوف يضاء زر وضع الاستعداد (8).

ملاحظة: سوف يومض ضوء زر وضع الاستعداد (8) ولن يعمل جهاز المطبخ المتكامل إذا كان رأس الخلاط في الوضع المرفوع لأعلى أو إذا كان مفتاح التحكم في السرعات موجه على الموضع "O".

قبل التشغيل، تأكد من رأس الخلاط في وضع الخفض وتعشيقه وأن مفتاح التحكم في السرعات موجه على الموضع "O". إذا استمر ضوء الزر في الوميض، ففي هذه الحالة راجعي دليل "اكتشاف المشكلات وحلها".

٢ ادفعي ذراع رفع رأس الخلاط (1) وارفعي رأس الخلاط حتى تستقر في موضع التثبيت (2). تأكد من تركيب قاعدة الوعاء (15) بشكل صحيح حيث تكون العلامة (K) مواجهة لأعلى.

٣ ركبي السلطانية على القاعدة. اضغطي عليها لأسفل ولفيها في اتجاه عقارب الساعة (3) لربطها في موضع التثبيت.

٤ أدخل الأداة المطلوب استخدامها في المقبس. ثم ادفعيها لأعلى (4) ولفيها (5) لقفليها في موضع التعشيق.

ملاحظة: إذا كان مضرب العجين K أو خفاقة البيض لا يمكنهما خلط المكونات الموجودة في قاعدة السلطانية، ففي هذه الحالة راجعي قسم "ضبط الأداة".

٥ اخفضي رأس الخلاط عن طريق دفع ذراع تحرير رأس الخلاط لأسفل (6) ثم اخفضي رأس الخلاط حتى تستقر في موضع التعشيق محدثة صوت طقطقة (7).

٦ شغلي الجهاز من خلال لف مفتاح التحكم في السرعات (7) وتوجيهه إلى موضع السرعة المطلوبة.

استخدمي مفتاح وضع التشغيل النبضي (P) للتشغيل لفترات قصيرة على السرعة القصوى.

٧ بعد الاستخدام، أعيدي مفتاح التحكم في السرعات إلى موضع إيقاف التشغيل (OFF) "O" وافصلي جهاز المطبخ الكامل عن مصدر التيار الكهربائي.

استكشاف جهاز المطبخ المتكامل من Kenwood

الدليل

ملحقات اختيارية

هناك مجموعة كبيرة ومتنوعة من الملحقات المتوفرة والتي يمكن استخدامها مع جهاز المطبخ المتكامل.

راجعى نشرة الملحق المزودة مع صندوق البيع أو زوري الموقع www.kenwoodworld.com

لمشاهدة المجموعة الكاملة من الملحقات المتوفرة وكيفية شراء الملحقات غير المزودة مع جهازك الأساسي.

ملاحظة: ملحقات مخرج السرعة المنخفضة

مخرج السرعة المنخفضة في موديل جهاز المطبخ المتكامل لديك يتميز بنظام Twist Connection System. وبالتالي فهو مصمم للعمل مع ملحقات نظام Twist Connection System.

عند شرائك ملحقات للعمل مع مخرج السرعة المنخفضة، عليك أولاً التأكد من توافق الملحق مع موديل جهاز المطبخ المتكامل لديك. يمكن تمييز كل ملحقات نظام Twist Connection System من خلال كود المنتج والذي يبدأ على النحو التالي (KAX) وأيضاً عن طريق شعار Twist (TWIST) الموضح على العبوة. لمزيد من المعلومات زوري الموقع: www.kenwoodworld.com/twist

إذا كان لديك ملحقات تعمل على نظام Bar Connection System (BAR) ، ففي هذه الحالة

ستحتاجين إلى استخدام منظم KAT002ME حتى يمكنك توصيل هذه الملحقات مع نظام Twist Connection System (TWIST) الموجود في موديل جهاز المطبخ المتكامل لديك.

لمزيد من المعلومات، زوري الموقع www.kenwoodworld.com/twist

مخارج الملحقات

- 1 مخرج السرعة العالية
- 2 مخرج السرعة المنخفضة
- 3 مقبس إلحاق السلطانية

الخلاط

- 4 غطاء مخرج السرعة العالية
- 5 رأس الخلاط
- 6 ذراع تحرير رأس الخلاط
- 7 مفتاح التحكم في السرعة والتشغيل النبضي
- 8 زر وضع الاستعداد
- 9 وحدة الطاقة (الموتور)
- 10 السلطانية
- 11 غطاء مخرج السرعة المنخفضة
- 12 إضاءة داخل السلطانية
- 13 لوحة للمس الخاصة بالإضاءة داخل السلطانية
- 14 تجويف تخزين السلك الكهربائي
- 15 قاعدة الوعاء
- 16 مضرب العجين K
- 17 خفاقة البيض
- 18 خطاف العجين
- 19 ملعقة التقليب
- 20 واقى رأس الخلاط
- 21 مانع الرذاذ

ملاحظة: مفتاح الربط 12 المبين في الرسم التوضيحي لأغراض توضيحية فقط ولا يتم تزويده مع صندوق البيع.

أدوات السلطانية وبعض من استخداماتها

مضرب البيض

لخفق البيض والزبد والقشدة والعجائن السائلة والكيك الإسفنجي خالي الدسم وأغذية الحلوى (المرغ) وكيك الجبن والموس والسوفليه. لا تستخدمى خفاقة البيض مع الخلطات السمكية (مثل خلط السمن مع السكر) - فقد تلفيها.

مضرب العجين K

لعمل الكيك والبسكويت والمعجنات والغطاء السكري للحلوى والحشوات وجاتوه الإكلير والبطاطس المهروسة.

خطاف العجين

يستخدم مع خلطات الخميرة فقط

- توخي الحذر عند حمل هذا الجهاز فهو ثقيل. تأكدي من قفل رأس الخلاط في الوضع لأسفل وتأمين السلطانية والأدوات وأغطية المخارج والسلك الكهربائي قبل حمل الجهاز.
- توخي الحذر عند إزالة أدوات السلطانية بعد فترة استخدام مطولة حيث تكون درجة حرارتها مرتفعة.
- تأكدي أن السلك الكهربائي مفرود بالكامل عن تجويف تخزين السلك ⑭ قبل استخدام جهاز المطبخ المتكامل.
- يجب الإشراف على الأطفال للتأكد من عدم عبثهم بالجهاز.
- لا تحاولي تحريك أو رفع رأس الخلاط أثناء تركيب أي من الملحقات حيث يصبح جهاز المطبخ المتكامل غير مستقر.
- يحذر تشغيل الجهاز بالقرب من حافة سطح التشغيل.
- يمكن استخدام الأجهزة من قبل أشخاص ذوي قدرات جسدية أو حسية أو عقلية منخفضة وممن هم دون خبرة أو معرفة باستخدام الأجهزة في حالة منحهم التعليمات الخاصة بالاستخدام أو الإشراف عليهم بحيث يمكنهم استخدامه بطريقة آمنة مع إدراك المخاطر التي تنطوي على استخدام الجهاز.
- قد يؤدي سوء استخدام الجهاز إلى حدوث إصابات.
- لا يجوز استخدام هذا الجهاز من قبل الأطفال. احتفظي بالجهاز والسلك الكهربائي بعيداً عن متناول الأطفال.
- تعتمد السعة القصوى على الملحق المستخدم والذي يستمد حمل أكبر. بعض من الملحقات الأخرى قد تستمد حمل أقل.
- استخدمي الجهاز فقط في الاستخدامات المنزلية المخصص لها. لن تتحمل شركة Kenwood أية مسؤولية في حالة استخدام الجهاز بطريقة غير صحيحة أو عدم الامتثال للتعليمات المذكورة.

قبل استخدام الجهاز للمرة الأولى

- اغسلي الأجزاء المسموح بغسلها: راجعي قسم "العناية والتنظيف".

قبل توصيل الجهاز بمصدر التيار الكهربائي

- يجب التأكد من تماثل مواصفات المصدر الكهربائي مع المواصفات الموضحة على الجانب السفلي للجهاز.
- يتوافق هذا الجهاز مع تنظيمات الاتحاد الأوروبي 2004/1935 المتعلقة بالمواد والأجسام المتلامسة مع الأطعمة.

استكشاف جهاز المطبخ المتكامل من Kenwood

تهانينا على اقتناء منتج Kenwood. من خلال العديد من الملحقات المتوفرة، فإن اقتنائك للجهاز لا يشكل فقط شراء الخلاط. فهو جهاز مطبخ متكامل عبقرى وفريد من نوعه، نتمنى أن ينال إعجابك وتستمتعين باستخدامه.

متين. يمكنك الاعتماد عليه. متنوع. منتج Kenwood.

السلامة

- اقرئي التعليمات التالية واحتفظي بها في المتناول للاستخدامات المستقبلية المرجعية.
- أزيلي مكونات التشغيل وأي مملصقات.
- في حالة تلف السلك الكهربى، يجب استبداله لأسباب متعلقة بالسلامة من قبل KENWOOD أو مركز صيانة معتمد من قبل KENWOOD.
- أديري مفتاح التحكم في السرعات إلى موضع إيقاف التشغيل (OFF) "O" وافصلي الجهاز عن مصدر التيار الكهربى قبل تركيب أو إزالة أي من الأدوات أو الملحقات وأيضاً فور الانتهاء من الاستخدام وقبل التنظيف.
- أبعدي أصابعك عن الأجزاء المتحركة والملحقات التي تم تركيبها.
- يحذر ترك جهاز المطبخ المتكامل دون ملاحظة أثناء تشغيله.
- يحذر استخدام الجهاز في حالة تلفه. في مثل هذه الحالة يجب فحص الجهاز أو إصلاحه: راجعي قسم "الصيانة ورعاية العملاء".
- يحذر تشغيل جهاز المطبخ المتكامل عندما يكون الرأس مرفوعاً.
- يحذر ترك السلك الكهربى متديلاً في حالة وجود طفل فقد ينتزعه.
- يحذر تعرض وحدة الطاقة "الموتور" أو سلك الكهرباء أو قابس التوصيل للماء.
- يحذر استخدام ملحق غير معتمد أو أكثر من ملحق في المرة الواحدة.
- يحذر تجاوز السعات القصوى الموضحة في جدول السعات القصوى.
- عند استخدام ملحق ما، يجب قراءة واتباع تعليمات الأمان الواردة معه.



Kenwood Ltd

New Lane
Havant
Hampshire
PO9 2NH

kenwoodworld.com

© 2019 Kenwood Limited. All rights reserved



5720000583/4