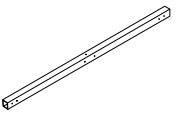
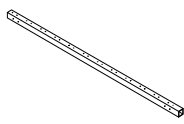
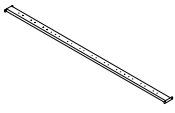


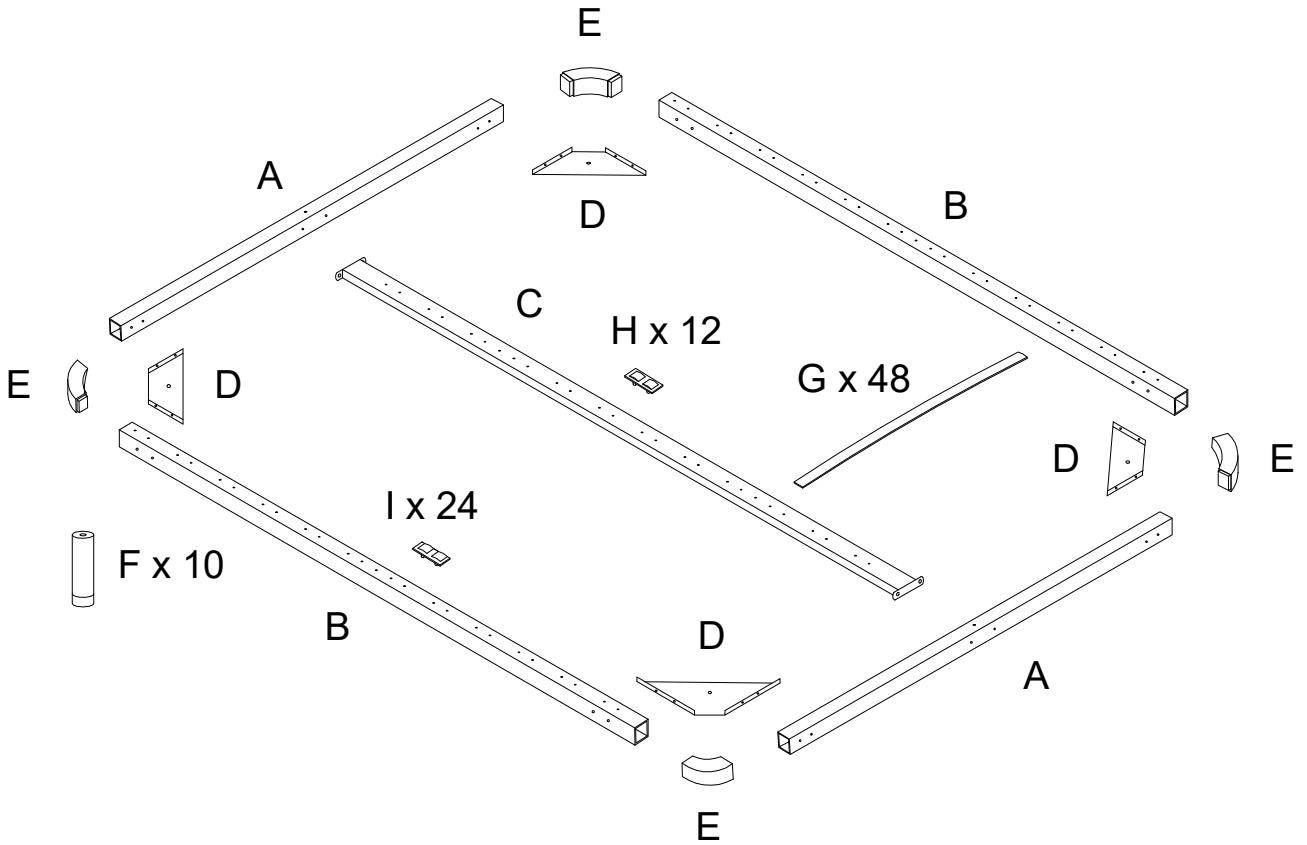



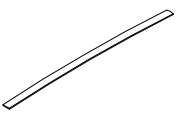
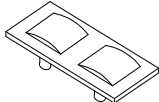
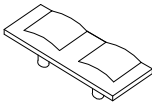
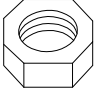
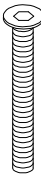
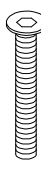
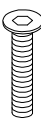
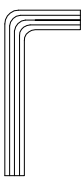
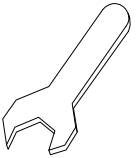
Assembly instructions for step 1/5:

- Tools:** An icon in a circle shows an Allen key and a wrench. A power drill icon is crossed out with a diagonal line, indicating it should not be used.
- Warning:** A triangle with an exclamation mark points to the tool instructions.
- Time:** A clock icon is shown above the text "35'", indicating the estimated assembly time.
- Personnel:** A person icon is shown above the number "2", indicating that two people are required for assembly.

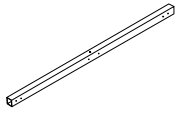
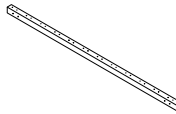
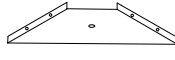
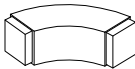
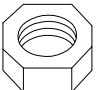
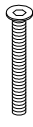

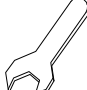
1/5

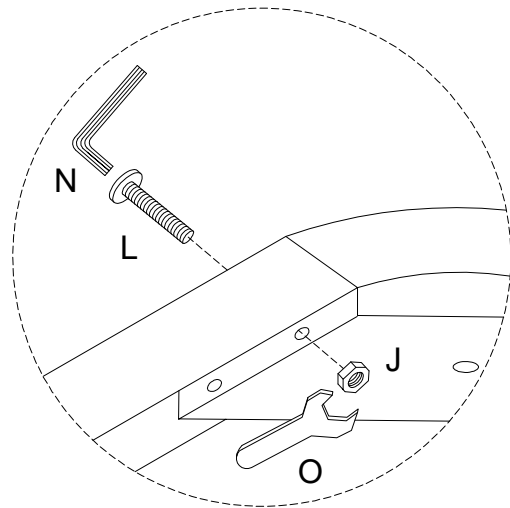
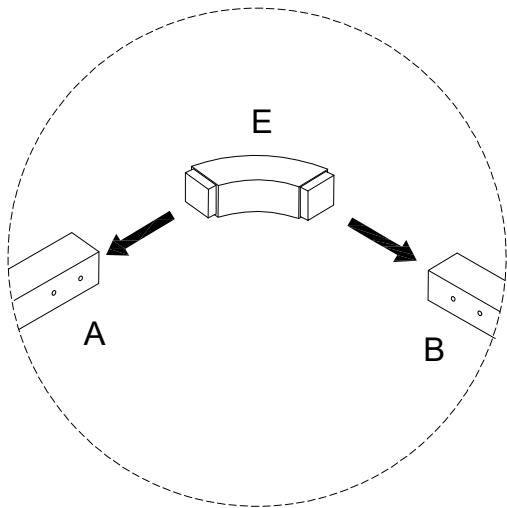
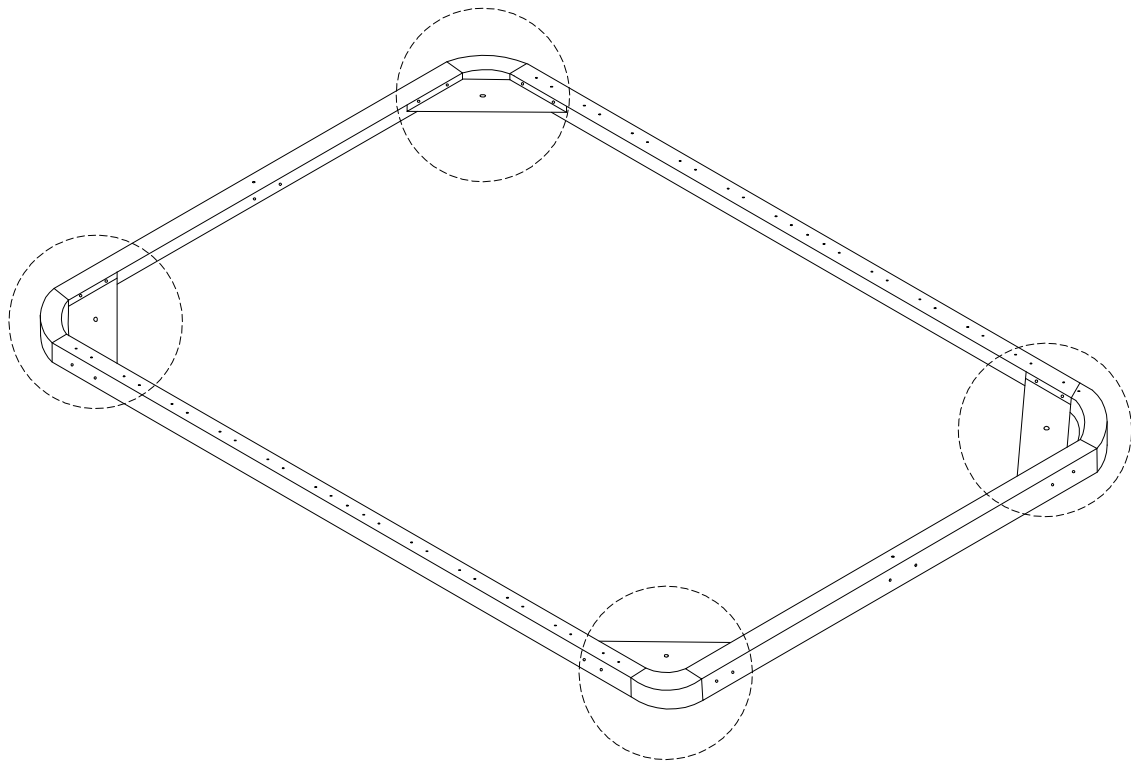
<b>A</b>	<b>B</b>	<b>C</b>	<b>D</b>	<b>E</b>
				
<b>x 2</b>	<b>x 2</b>	<b>x 1</b>	<b>x 4</b>	<b>x 4</b>



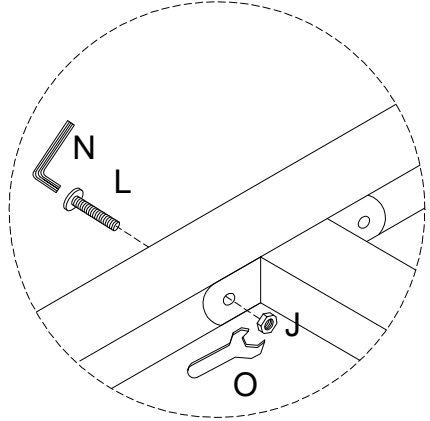
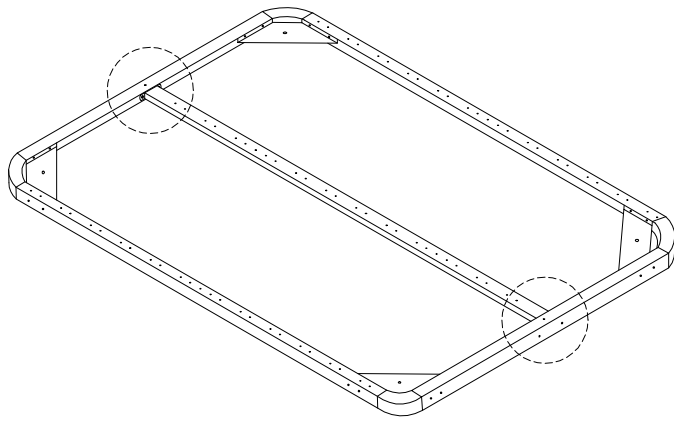
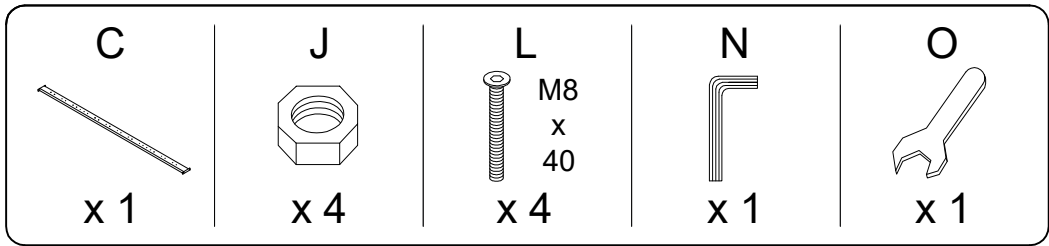
<b>F</b>	<b>G</b>	<b>H</b>	<b>I</b>	<b>J</b>
				
<b>x 10</b>	<b>x 48</b>	<b>x 12</b>	<b>x 24</b>	<b>x 20</b>
<b>K</b>	<b>L</b>	<b>M</b>	<b>N</b>	<b>O</b>
 M8 x 50	 M8 x 40	 M8 x 25		
<b>x 6</b>	<b>x 20</b>	<b>x 4</b>	<b>x 1</b>	<b>x 1</b>

1

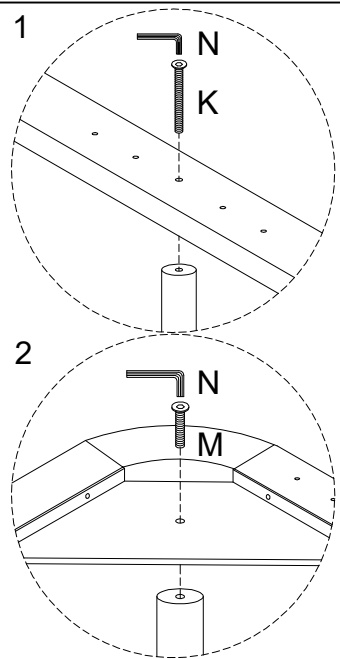
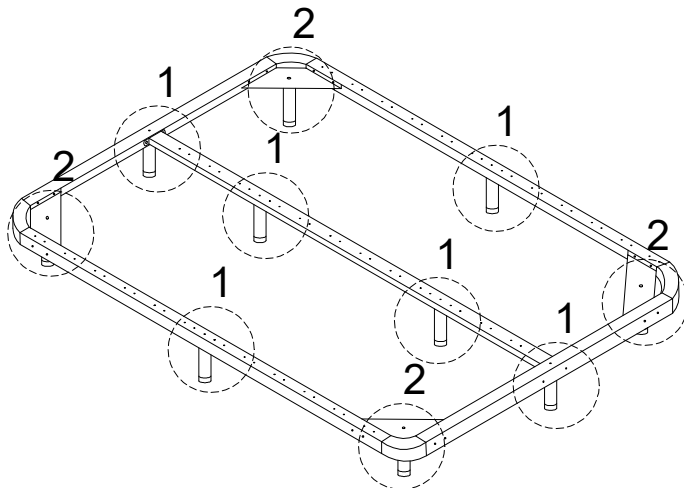
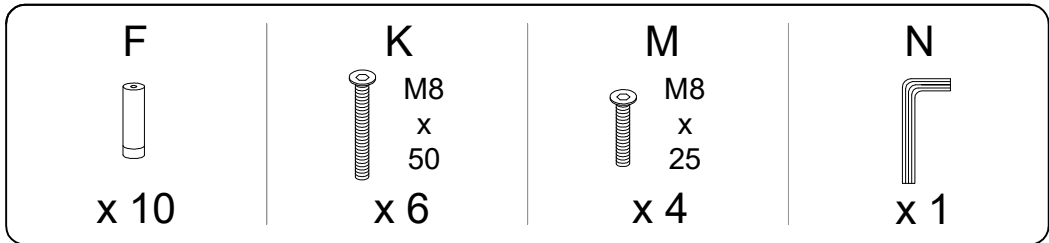
<b>A</b>  x 2	<b>B</b>  x 2	<b>D</b>  x 4	<b>E</b>  x 4
<b>J</b>  x 16	<b>L</b>  M8 x 40 x 16	<b>N</b>  x 1	<b>O</b>  x 1



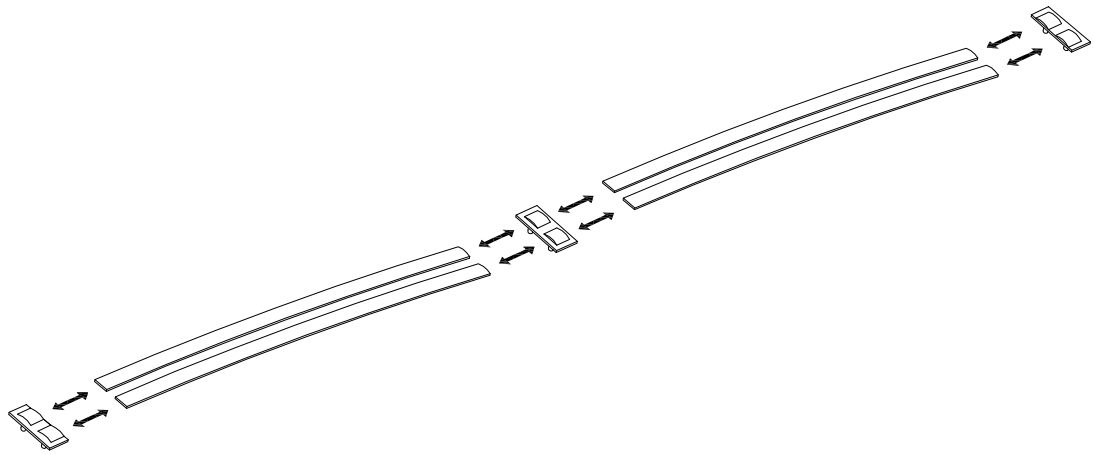
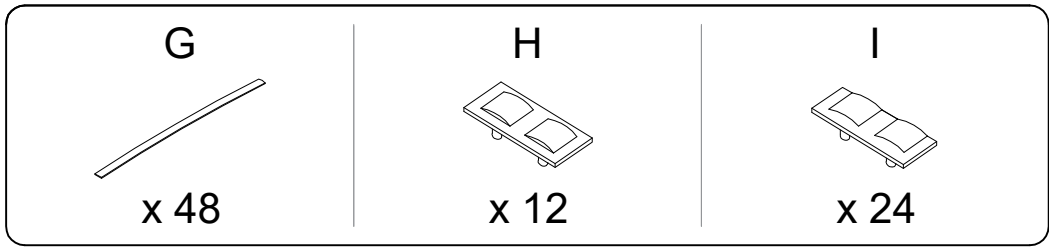
2



3



4



5

