

Register Now 
www.delonghi.com/register

TRNS Series

OIL FILLED RADIATOR

Instructions for use

This product is only suitable for well insulated spaces or occasional use



DeLonghi

ELECTRICAL CONNECTION

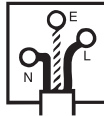
- A) If your appliance comes fitted with a plug, it will incorporate a 13 Amp fuse. If it does not fit your socket, the plug should be cut off from the mains lead, and an appropriate plug fitted, as below. **WARNING:** Very carefully dispose of the cut off plug after removing the fuse: do not insert in a 13 Amp socket elsewhere in the house as this could cause a shock hazard. With alternative plugs not incorporating a fuse, the circuit must be protected by a 15 Amp fuse. If the plug is a moulded-on type, the fuse cover must be re-fitted when changing the fuse using a 13 Amp Asta approved fuse to BS 1362. In the event of losing the fuse cover, the plug must NOT be used until a replacement fuse cover can be obtained from your nearest electrical dealer. The colour of the correct replacement fuse cover is that as marked on the base of the plug.
- B) If your appliance is not fitted with a plug, please follow the instructions provided below:

WARNING - THIS APPLIANCE MUST BE EARTHED


IMPORTANT

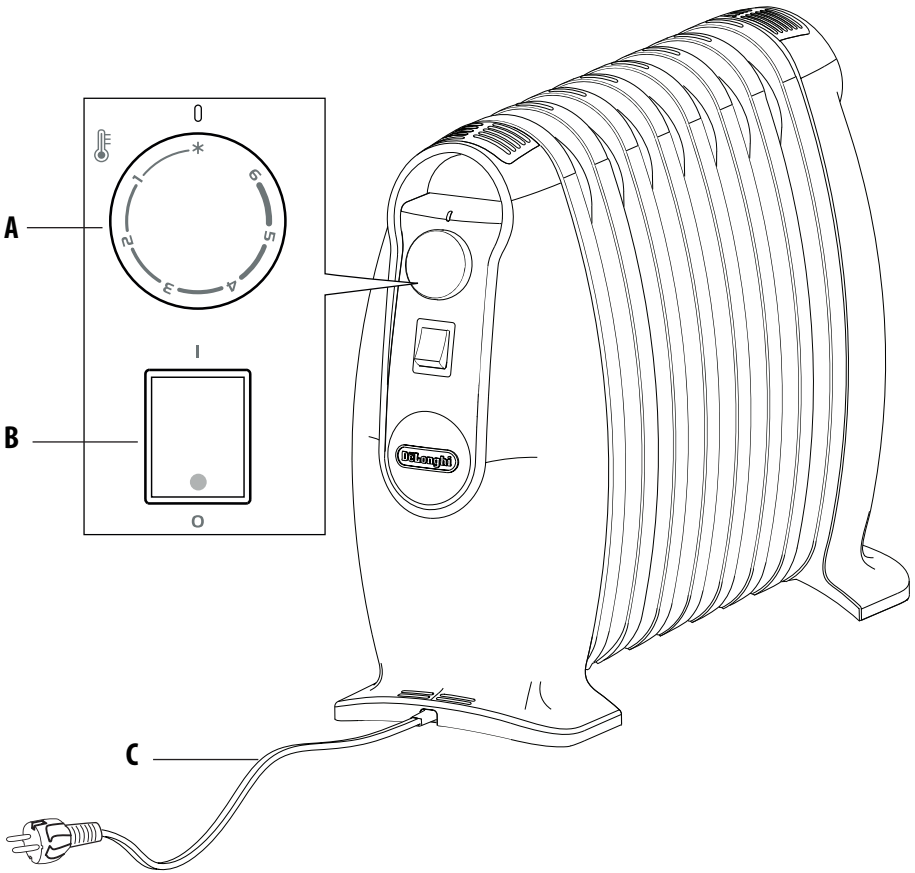
The wires in the mains lead are coloured in accordance with the following code:

Green and yellow:	Earth
Blue:	Neutral
Brown:	Live



As the colours of the wires in the mains lead may not correspond with the coloured markings identifying the terminals in your plug, proceed as follows:

The green and yellow wire must be connected to the terminal in the plug marked with the letter E or the earth symbol  or coloured green or green and yellow. The blue wire must be connected to the terminal marked with the letter N or coloured black. The brown wire must be connected to the terminal marked with the letter L or coloured red.



IMPORTANT WARNINGS

Safety warnings



Failure to observe the warning may result in life threatening injury by electric shock.

- Do not use the heater in the vicinity of bathtubs, wash basins, showers, sinks and swimming pools.
- Never use the heater to dry laundry.
- If the power cable has been damaged, it must be replaced by the manufacturer or the technical service centre or by a qualified person so as to avoid all risks. Please see guarantee.



Failure to observe the warning could result in injury or damage to the appliance.

- This appliance can be used by children aged from 8 years and above and persons with reduced physical, sensory or mental capabilities or lack of experience and knowledge if they have been given supervision or instruction concerning use of the appliance in a safe way and understand the hazards involved.
Children shall not play with the appliance. Cleaning and user maintenance shall not be made by children without supervision.
- Children of less than 3 years should be kept away unless continuously supervised.
- Children aged from 3 years and less than 8 years shall only switch on/off the appliance provided that it has been placed or installed in its intended normal operating position and they have been given supervision or instruction concerning use of the appliance in a


safe way and understand the hazards involved. Children aged from 3 years and less than 8 years shall not plug in, regulate and clean the appliance or perform user maintenance.

CAUTION — Some parts of this product can become very hot and cause burns. Particular attention has to be given where children and vulnerable people are present.

- The body of this radiator is filled with a precise quantity of special oil, so that repairs requiring the opening of the oil body must only be made by the service agent. Any oil leakage must be reported to the Customer Experience, see enclosed guarantee for details.
- The appliance must not be located immediately below a fixed socket-outlet.
- ATTENTION: in order to avoid any danger caused by an accidental resetting of the safety system, this appliance must not be powered through an external timer.
- Do not obstruct the hot air outlet grilles or the air intake grille on the bottom of the appliance.



Failure to observe the warning could result in burns or scalds.

- **WARNING:** In order to avoid overheating, never under any circumstances cover the appliance during operation, as this would lead to dangerous overheating. 
- The use of an extension lead is not recommended, as overheating of the extension lead may occur during the operation of the heater.
- Never place the power cable on top of

the heater while it is hot.



Please note:

This symbol indicates recommendations and important information for the user.

- We recommend that you not place the heater in a draught, because strong draughts of air may adversely affect the equipment's operational efficiency.
- Only use the heater in an upright position.
- The heater must be positioned at least 50cm from furniture or other objects.
- The first time you use the appliance, operate it for at least 15 minutes with the thermostat at maximum to eliminate the "new" smell.
A little smoke due to the protective substances applied to the heating element before transport may be given off.
- Position the appliance so that the plug and the outlet can be easily reached even after installation.
- Do not use the appliance in rooms less than 4 m² in area.
- The appliance is fitted with a safety device which will switch off it in case of accidental overheating.
To reset, please contact Customer Experience, see enclosed guarantee.

Use in compliance with intended use

Use this heater only as described in this manual. All other use is considered improper. This appliance is not suitable for commercial use. The manufacturer is not liable for damage deriving from improper use of the appliance. This is a household appliance only. It is not intended to be used in:

- staff kitchen areas in shops, offices and other working environments;
- farm houses;
- by clients in hotels, motels and other residential type

environments;

- bed and breakfast type environments.

Use in this manner will invalidate the manufacturer's warranty.

Disposing of the appliance



The appliance must not be disposed of with household waste, but taken to an authorised waste separation and recycling centre.

Fundamental recommendations regarding safety

Dear Customer – The plug on this appliance will get 'warm' during use, this is perfectly normal.

This product is A HIGH POWER HEATING APPLIANCE designed to our usual high standards but please make sure your wall sockets are in good condition and the plug is inserted correctly to avoid any accidental overheating.

We suggest that you check the plug AND THE SOCKET regularly if the heater is in prolonged use, if you are in any doubt please consult an electrician.

DESCRIPTION

- A** thermostat control knob
- B** switch
- C** power cable

USE

General features

Remove the appliance from the packaging, turn upside down. Check that neither the appliance nor the power cable has been damaged in any way during transportation.

Do not operate the appliance if damaged

Electrical connection

Before plugging into the outlet, make sure the voltage of your outlet supply corresponds to the value V indicated on the appliance and that the socket and power line are appropriate for the load required.

Switching on

- Plug into the mains socket.
- Turn the thermostat control knob clockwise to the highest setting (6) and switch on.
- Button in position «I»: ON (indicator light on).
- Button in position «0»: OFF (indicator light off).
- To turn appliance off, press the switch in «0» position or remove plug from wall socket.

Adjusting the thermostat

When the room has reached the required temperature, slowly turn the thermostat anticlockwise until the indicator light goes off (or to the position marked by a click) and no further. The set temperature will then be regulated automatically and kept constant by the thermostat.

Frost protection function

With the thermostat in position ***** and the switch pressed in ON position («I»), the appliance maintains the room at a temperature of about 5°C, preventing freezing with minimum energy consumption.

MAINTENANCE

Before carrying out any operation on the radiator, unplug from the electric mains and wait for it to cool.

The oil-filled electric radiator requires no particular maintenance.

It is sufficient to remove the dust with a soft, dry cloth. Never use abrasive powders or solvents. If necessary remove concentrations of dirt using a vacuum cleaner.

TECHNICAL CHARACTERISTICS

Supply voltage	See rating plate
Absorbed power	"

TROUBLESHOOTING

PROBLEM	CAUSE	SOLUTION
The appliance doesn't work	Be sure it is plugged in and that the electrical outlet is working.	Plug into the power outlet.
	The unit has reached a too high internal temperature	Check that the unit is not covered and let the appliance cool down. If the appliance doesn't work please contact the De'Longhi Customer Experience.
	The temperature may be set too low.	Set the temperature to a higher value.
	The thermostat may be set too low.	Turn the thermostat clockwise to a higher setting until the heater restarts.