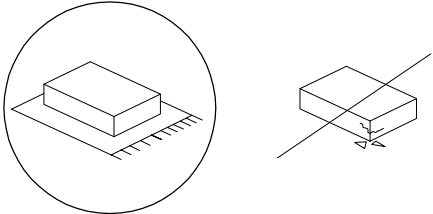
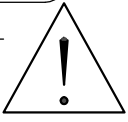
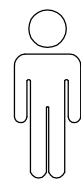
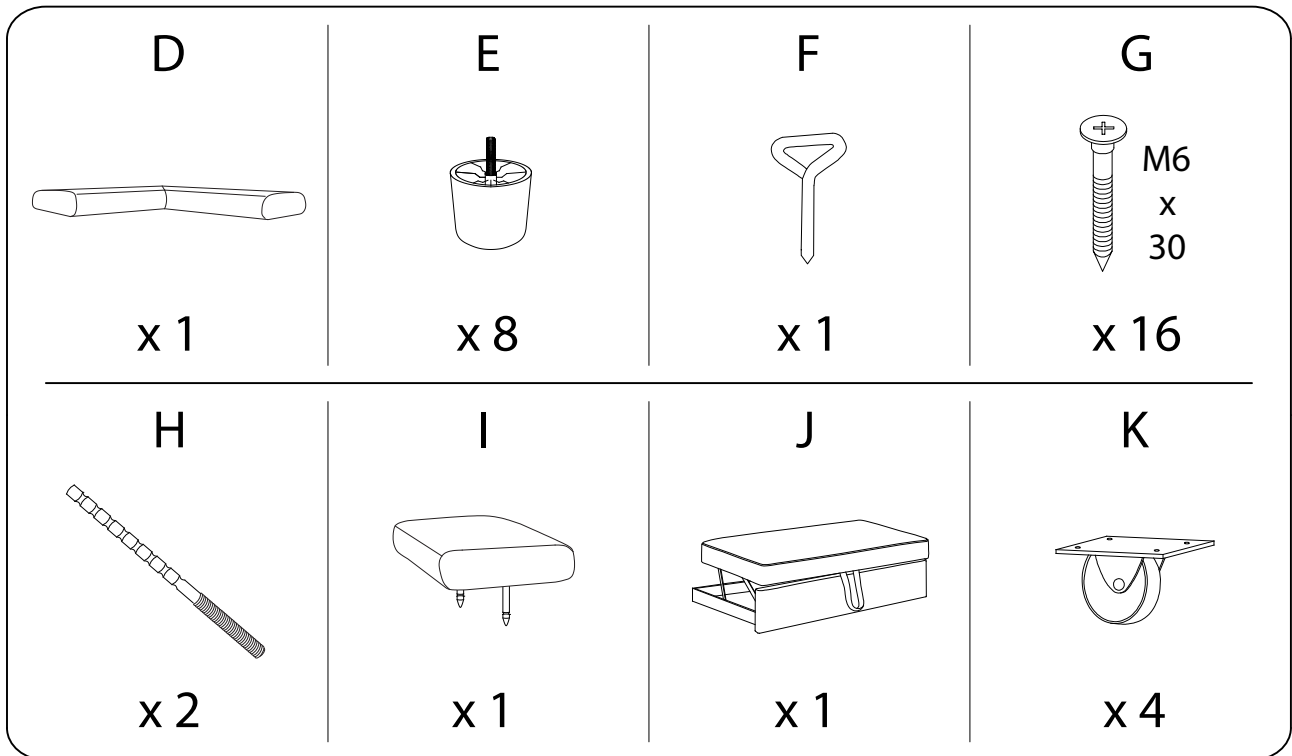
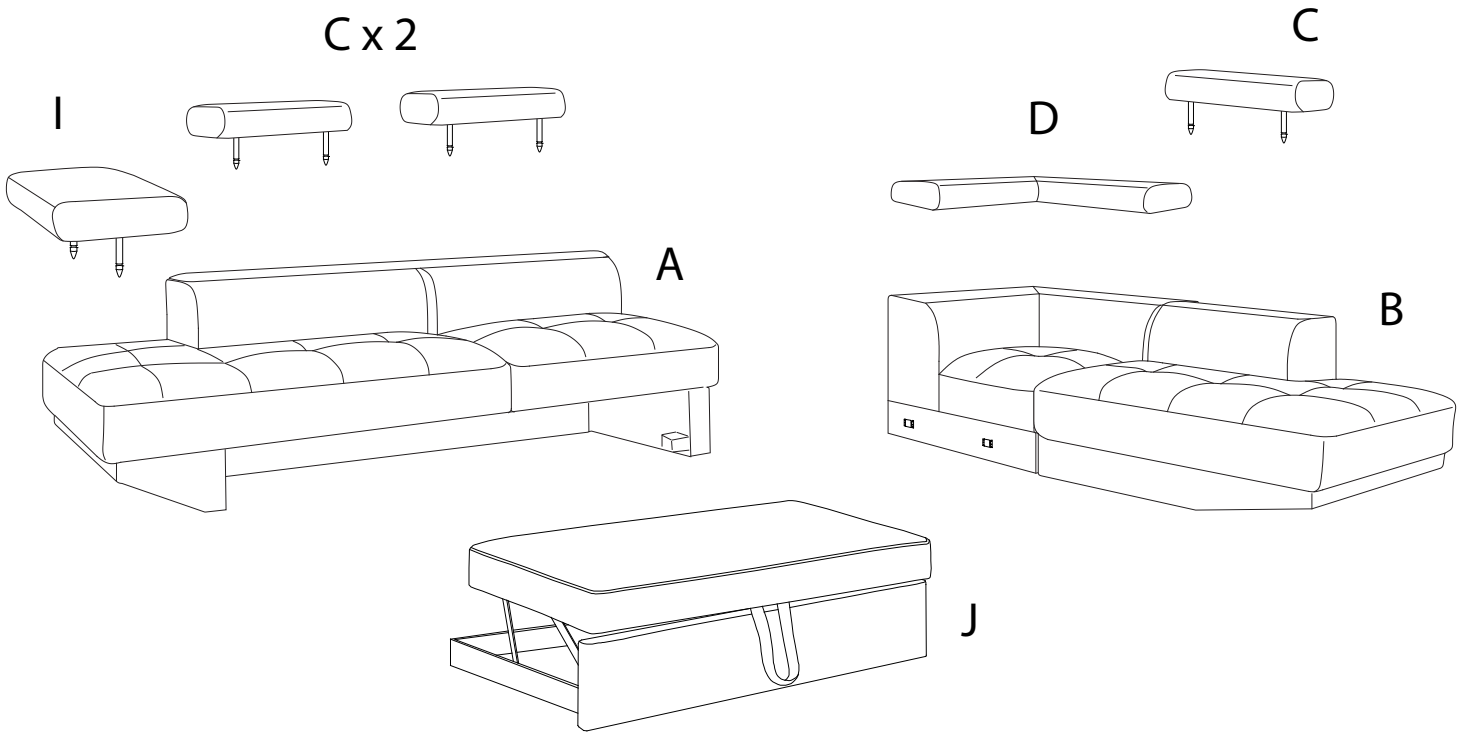
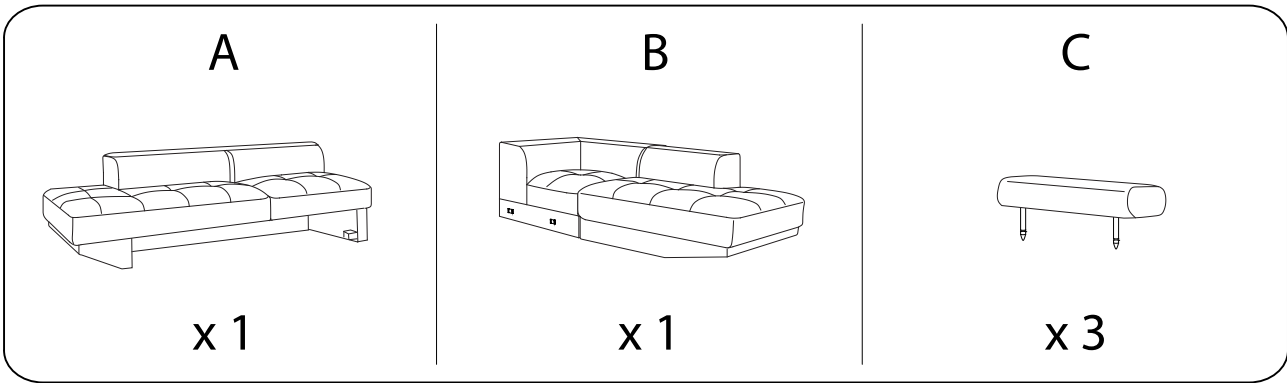
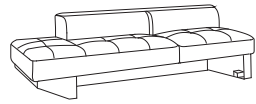

		<p>30'</p>
		
		<p>2</p>



1

A

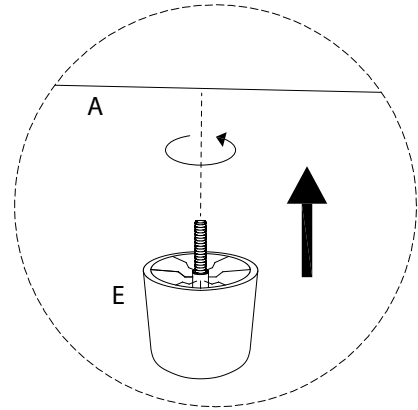
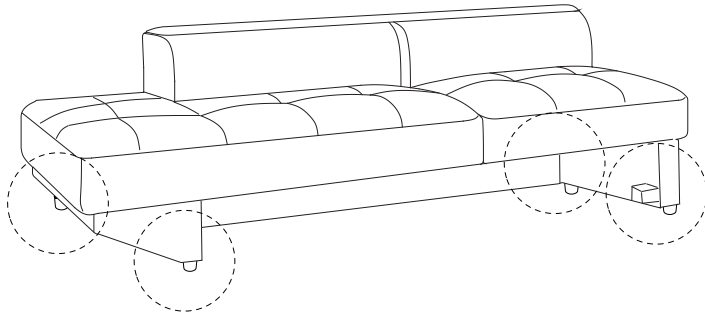


x 1

E



x 4



2

B

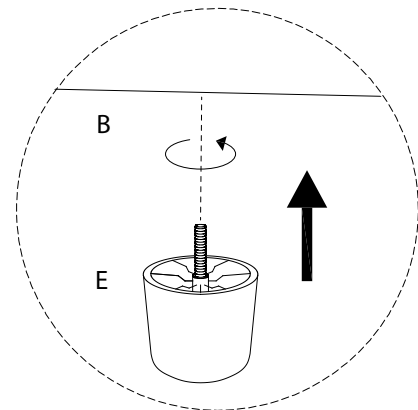
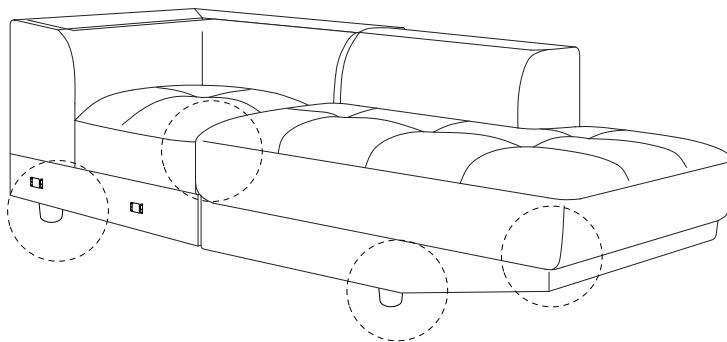


x 1

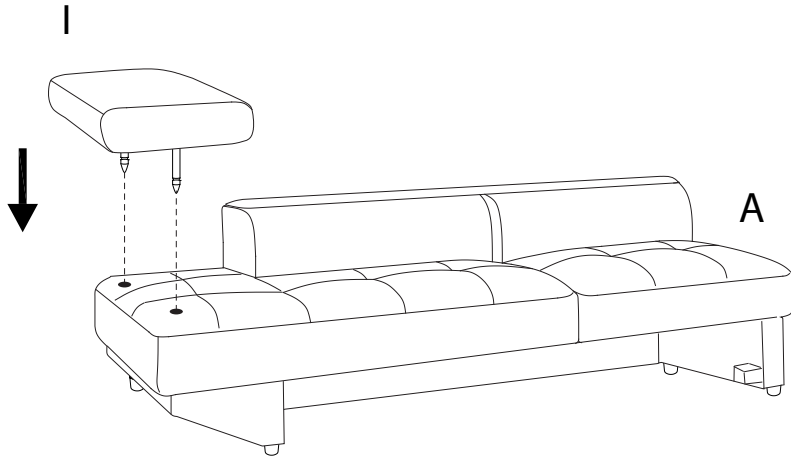
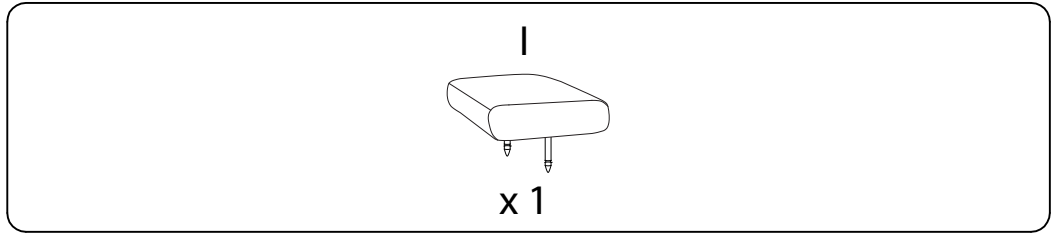
E



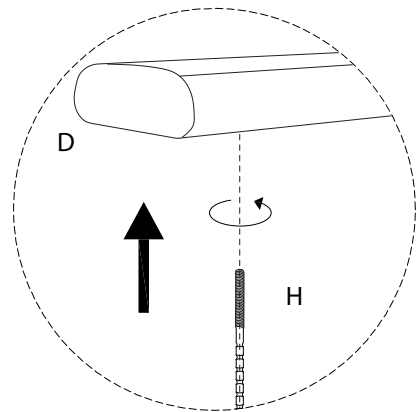
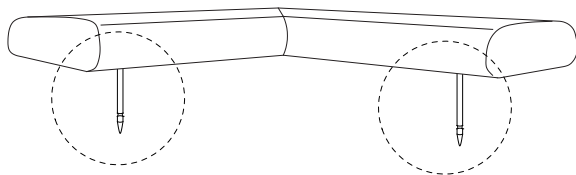
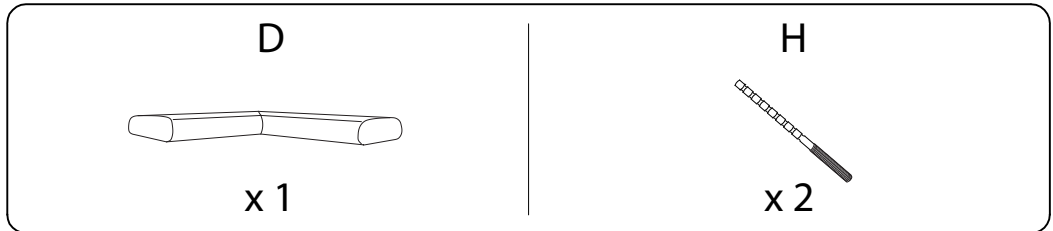
x 4



3

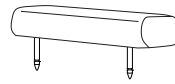


4

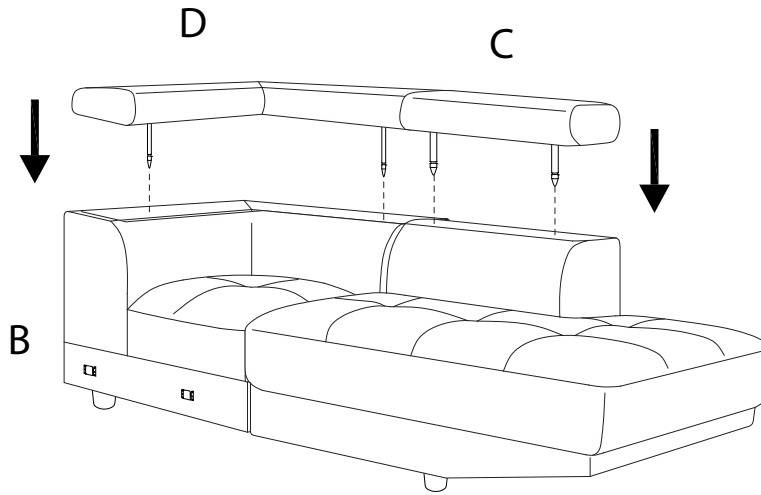


5

C

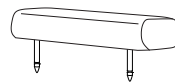


x 1

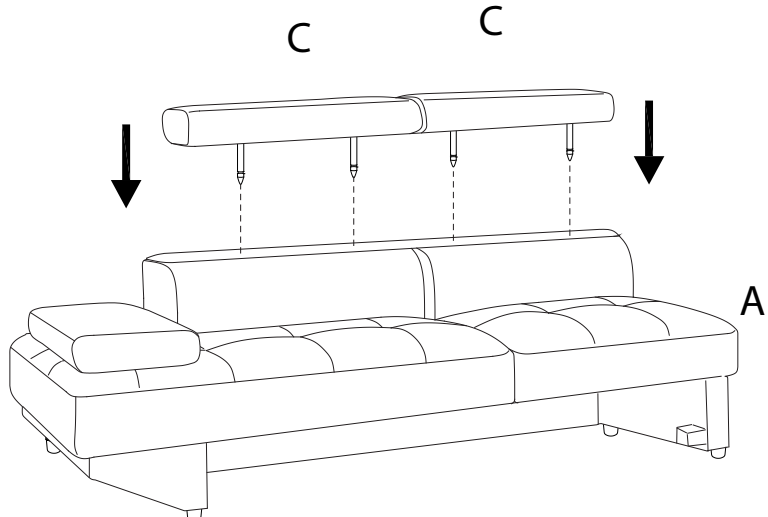


6

C

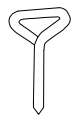


x 2



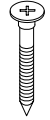
7

F



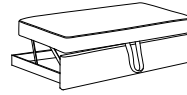
x 1

G



M6
x
30
x 16

J

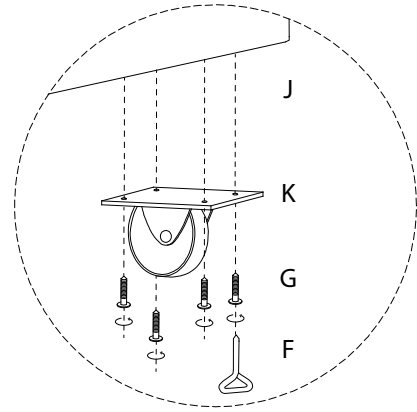
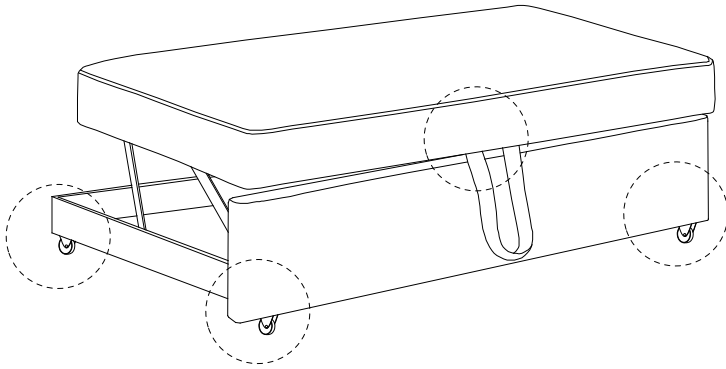


x 1

K



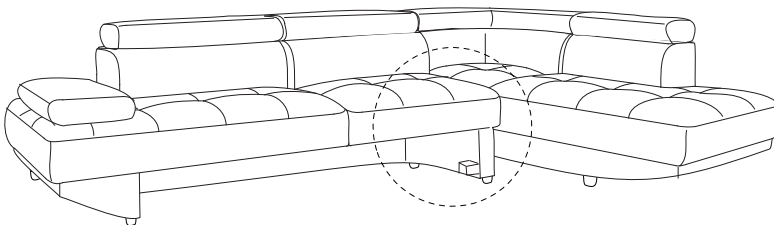
x 4



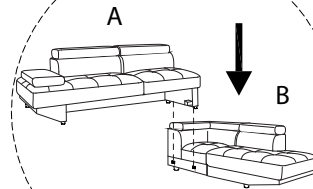
8

A

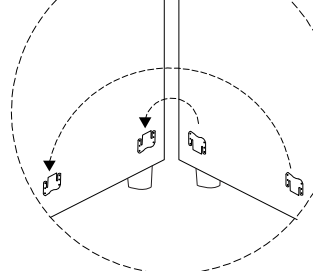
B



1a



1b



9

