

# STEELFORCE PRO SLS SERIES

270 / 470 / 670

English

Deutsch

Nederlands



## Assembly Manual

Read this manual thoroughly and store in a safe place.

## Montageanleitung

Bitte sorgfältig lesen und sicher aufbewahren.

## Montagehandleiding

Lees deze handleiding aandachtig door en bewaar deze goed.

SLS-IM0015-1EN-DE-NL

# Content

<b>1</b>	<b>GENERAL</b> .....	<b>5</b>
1.1	Local value of the assembly/operating manual .....	5
1.2	Intended use .....	5
1.3	Improper use .....	5
1.4	Grounding Instruction .....	5
1.5	Danger .....	5
1.6	Content box .....	6
<b>2</b>	<b>SAFETY INFORMATION</b> .....	<b>7</b>
2.1	Symbols/warnings .....	7
2.2	Symbols used on the workstation frame .....	7
2.3	Maximum weight allowed on frame .....	7
2.4	Maximum weight allowed per column .....	8
2.5	Organizational measures .....	8
2.6	Informal safety measures .....	8
2.7	Note for those assembling the workstation .....	8
2.8	Transport and assembly .....	8
2.9	Use of the workstation frame .....	8
2.10	Specific dangers .....	8
2.11	In an emergency .....	9
2.12	Maintenance and upkeep .....	9
2.13	Cleaning.....	9
2.14	Persistent risks .....	9
<b>3</b>	<b>ASSEMBLY</b> .....	<b>10</b>
3.1	Pre-assembly of the Crossbars.....	10
3.1.1	Recommended Top Sizes.....	10
3.2	Mounting the Feet .....	11
3.3	Mounting the Crossbar .....	11
3.4	Mounting the Top Support .....	12
3.5	Adjustment of the Frame Width .....	12
3.6	Mounting the Spacers .....	13
3.7	Mounting the Cable Clips.....	13-14
3.8	Connecting the Electrical Components .....	15
3.9	Mounting the table top.....	16
3.10	Mounting the power supply underneath the table top .....	16
3.11	Mounting Wire Clip .....	17-18
3.12	Clearance around the wall or moving parts 25mm of the table top .....	19
3.13	Frame Test without table top .....	19-20
<b>4</b>	<b>CORRECT POSITION OF SEAT</b> .....	<b>21</b>
<b>5</b>	<b>TECHNICAL SPECIFICATIONS</b> .....	<b>22-24</b>
<b>6</b>	<b>OPERATION AND INDICATORS</b> .....	<b>25</b>
6.1	Indicators .....	25
<b>7</b>	<b>TROUBLESHOOTING</b> .....	<b>25</b>
<b>8</b>	<b>CUSTOMER SERVICE</b> .....	<b>26</b>
<b>9</b>	<b>MANUFACTURER</b> .....	<b>26</b>
<b>10</b>	<b>RECYCLING</b> .....	<b>26</b>
10.1	Taking the workstation out of active duty .....	26
10.2	Taking the workstation apart .....	26
10.3	Recycling .....	26
<b>11</b>	<b>CERTIFICATIONS</b> .....	<b>71</b>

## Inhaltsverzeichnis

<b>1</b>	<b>ALLGEMEINES</b> .....	<b>27</b>
1.1	Bedeutung der Betriebs- und Montageanleitung .....	27
1.2	Sachgemäße Verwendung .....	27
1.3	Sachwidrige Verwendung .....	27
1.4	Erdungsvorschrift .....	27
1.5	Gefahr .....	27
1.6	Lieferumfang .....	28
<b>2</b>	<b>SICHERHEITSHINWEISE</b> .....	<b>29</b>
2.1	Symbol- und Hinweiserklärungen .....	29
2.2	Verwendete Symbole am Tischgestell .....	29
2.3	Zulässiges Gesamtgewicht auf dem Tischgestell .....	29
2.4	Zulässiges Gesamtgewicht pro Säule .....	30
2.5	Organisatorische Maßnahmen .....	30
2.6	Empfohlene Sicherheitsmaßnahmen .....	30
2.7	Hinweise zur Montage .....	30
2.8	und Montage .....	30
2.9	Benutzung des Tischgestells .....	30
2.10	Besondere Gefahrenstellen .....	30
2.11	Hinweise für den Notfall .....	31
2.12	Wartung und Instandhaltung .....	31
2.13	Reinigung .....	31
2.14	Restrisiken .....	31
<b>3</b>	<b>MONTAGE</b> .....	<b>32</b>
3.1	Vormontage der Traverse .....	32
3.1.1	Empfohlene Tischplattenmaße .....	32
3.2	Montage der Kufen .....	33
3.3	Montage der Traversen .....	33
3.4	Montage der Plattenträger .....	34
3.5	Einstellen der Gestellbreite .....	34
3.6	Montage der Abstandhalter .....	35
3.7	Montage der Kabelhalterungen .....	35-36
3.8	Anschließen der elektrischen Bauteile .....	37
3.9	Montage der Tischplatte .....	38
3.10	Montage des Netzteils unter der Tischplatte .....	38
3.11	Montage der Kabelclips .....	39-40
3.12	Sicherheitsabstand zur Wand oder beweglichen Teilen von 25 mm um die Tischplatte .....	41
3.13	Test und Inbetriebnahme ohne Tischplatte .....	41-42
<b>4</b>	<b>ERGONOMISCHE SITZEINSTELLUNG</b> .....	<b>43</b>
<b>5</b>	<b>TECHNISCHE DATEN</b> .....	<b>44-46</b>
<b>6</b>	<b>BETRIEBSHINWEISE</b> .....	<b>47</b>
6.1	Fehlfunktionen .....	47
<b>7</b>	<b>FEHLERBEHEBUNG</b> .....	<b>47</b>
<b>8</b>	<b>KUNDENDIENST</b> .....	<b>48</b>
<b>9</b>	<b>HERSTELLER</b> .....	<b>48</b>
<b>10</b>	<b>ENTSORGUNG</b> .....	<b>48</b>
10.1	Außerbetriebnahme des Tischgestells .....	48
10.2	Tischgestell abbauen und ggf. zerlegen .....	48
10.3	Entsorgung .....	48
<b>11</b>	<b>ZERTIFIKATE</b> .....	<b>71</b>

# Inhoudsopgave

<b>1</b>	<b>ALGEMEEN</b> .....	<b>49</b>
1.1	Het belang van de montage- en bedieningshandleiding .....	49
1.2	Beoogd gebruik.....	49
1.3	Onjuist gebruik .....	49
1.4	Aardingsinstructie .....	49
1.5	Gevaar.....	49
1.6	Inhoud verpakking .....	50
<b>2</b>	<b>VEILIGHEIDSINSTRUCTIES</b> .....	<b>51</b>
2.1	Verklaring van symbolen en instructies .....	51
2.2	Gebruikte symbolen op het frame .....	51
2.3	Maximaal toegestaan gewicht op het frame .....	51
2.4	Maximaal toegestaan gewicht per kolom .....	52
2.5	Organisatorische maatregelen .....	52
2.6	Informele veiligheidsmaatregelen .....	52
2.7	Vereisten aan de monteurs.....	52
2.8	Transport en montage .....	52
2.9	Gebruik van het frame .....	52
2.10	Specifieke gevaren .....	52
2.11	Instructies voor noodgevallen .....	53
2.12	Onderhoud en instandhouding .....	53
2.13	Reiniging .....	53
2.14	Overige risico's.....	53
<b>3</b>	<b>MONTAGE</b> .....	<b>54</b>
3.1	Voormontage van de crossbar .....	54
3.1.1	Aanbevolen bladmaat .....	54
3.2	Montage van de voeten .....	55
3.3	Montage van de crossbar .....	55
3.4	Montage van de bladdragers.....	56
3.5	Instellen van de frame-breedte .....	56
3.6	Montage van de afstandhouders .....	57
3.7	Montage van de kabelbinders.....	57-58
3.8	Aansluiten van de elektrische componenten .....	59
3.9	Montage van het werkblad .....	60
3.10	Montage van de handbediening. ....	60
3.11	Montage van de kabelclips .....	61-62
3.12	Afstand van 25 mm tussen de muur of andere objecten en het werkblad .....	63
3.13	Frame test zonder werkblad .....	63-64
<b>4</b>	<b>CORRECTE ZITPOSITIE</b> .....	<b>65</b>
<b>5</b>	<b>TECHNISCHE SPECIFICATIES</b> .....	<b>66-68</b>
<b>6</b>	<b>BEDIENING EN GEBRUIKSAANWIJZINGEN</b> .....	<b>69</b>
6.1	Gebruiksaanwijzingen .....	69
<b>7</b>	<b>PROBLEEMOPLOSSINGEN</b> .....	<b>69</b>
<b>8</b>	<b>KLANTENSERVICE</b> .....	<b>70</b>
<b>9</b>	<b>FABRIKANT</b> .....	<b>70</b>
<b>10</b>	<b>RECYCLING</b> .....	<b>70</b>
10.1	Buitenbedrijfstelling van het frame .....	70
10.2	Demontage van het frame .....	70
10.3	Recycling.....	70
<b>11</b>	<b>CERTIFICATEN</b> .....	<b>71</b>

# 1 General

## 1.1 Local value of the assembly/Operating Manual

The guiding principle for safe use and trouble-free operation of this workstation frame is knowledge of basic safety information and regulations. This assembly/operating manual contains the most important information needed for assembling and operating the workstation frame safely. This assembly/operating manual, in particular the safety information contained herein, must be observed by any person building the frame and working on the finished surface. More importantly, the rules and regulations applying to accident prevention in the locality in which the workstation frame is to be used must be observed at all times.

## 1.2 Intended use

The workstation frame must be used only as a height-adjustable workstation for sitting/standing use in offices or other enclosed areas. The frame must be used for this purpose only. The workstation frame may be set up and operated solely in office environments. Do not use the workstation frame in the home. Please observe the provisions of Section, Safety Information. This appliance is not intended for use by persons (including children) who are required assistance, unless they have been given supervision or instruction concerning use of the appliance by a person responsible for their safety. Children should be supervised to ensure that they do not play with the workstation frame. Children may be unaware of the dangers presented by the workstation frame if unsupervised. Any other use than the above shall be deemed improper. The manufacturer can in no way be held liable for damage arising from improper use.

Intended use shall also include:

- Observation of all information from the assembly/operating manual and
- Prohibition of any sort of addition to/conversion of the workstation.

## 1.3 Improper use

- Never use the workstation frame to lift people or loads.
- Do not exceed the maximum load of the workstation frame.
- Do not use the workstation frame in the home; alternatively, use it only in offices.
- The workstation frame is only to be used with the power supply unit provided with the workstation frame.

## 1.4 Grounding Instruction

This workstation frame must be grounded. Connect this workstation frame to a properly grounded outlet only. If it should malfunction or breakdown, grounding provides a path of least resistance for electric current to reduce the risk of electric shock. This workstation frame is equipped with a cord having an equipment-grounding conductor and a grounding plug. The plug must be plugged into an appropriate outlet that is properly installed and grounded in accordance with all local codes and ordinances.



For protective earth, the terminal is intended to connect with equipotential bonding of building where the workstation frame is being setup. Terminals for the connection of external equipotential bonding conductors shall allow the connection of conductors having nominal cross-sectional areas of 2,5 mm<sup>2</sup> to 6 mm<sup>2</sup>.

## 1.5 Danger

Improper connection of the workstation frame grounding conductor can result in a risk of electric shock. Check with a qualified electrician if you are in doubt as to whether the product is properly grounded. Do not modify the plug provided with the product.

If the supply cord is damaged, it must be replaced by a special cord or assembly available from the manufacturer or its service agent.

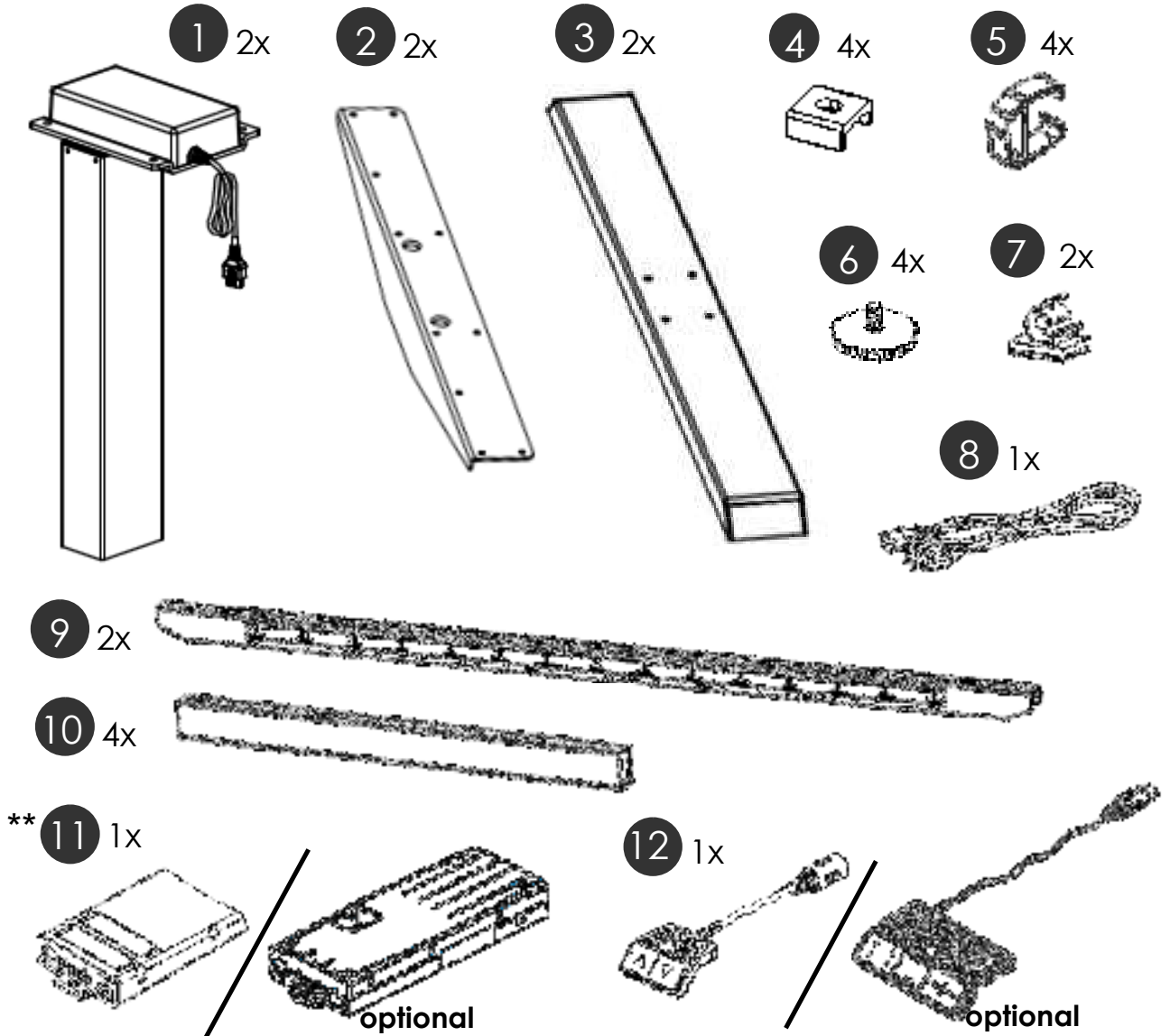
**WARNING: Any changes or modifications not expressly approved by the manufacturer could void the user's authority to operate the equipment.**

# 1.6 Content Box

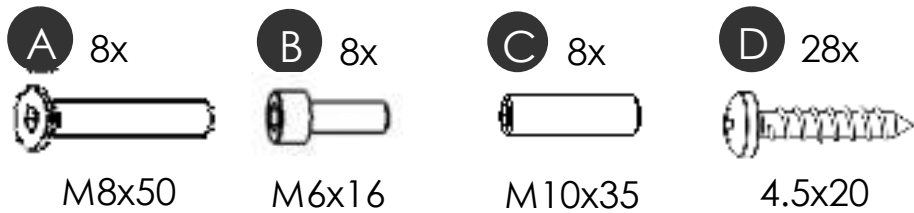


Assembly requires 2 people!

## Items



## Hardware Kit



## Tools



\*\* Control Unit 11(a) :

- I. SMART-e-2-actiforce-EU : Input: 220-240Vac, 50-60Hz, 2.5A; Output: 216VA / 24V
- II. SMART-e-2-actiforce-US : Input: 120Vac, 60Hz, 5A; Output: 216VA / 24V

\*\* Control Unit 11(b) :



- I. COMPACT-e-2L-actiforce-EU : Input: 220-240Vac, 50-60Hz, 5A; Output: 288VA / 24V
- II. COMPACT-e-2L-actiforce-US : Input: 120Vac, 60Hz, 10A; Output: 288VA / 24V

Table : 24VDC, 4A


## 2 Safety Information

### 2.1 Symbols/Warnings



The assembly/operating manual uses the following terms and signs to indicate dangers:

	This symbol indicates an immediate threatening situation for any person's life or health. Failure to adhere to such information may have serious consequences for health, or could even result in life-threatening injury or death.
	This symbol indicates important information. Failure to adhere to such information could lead to damage to the workstation.

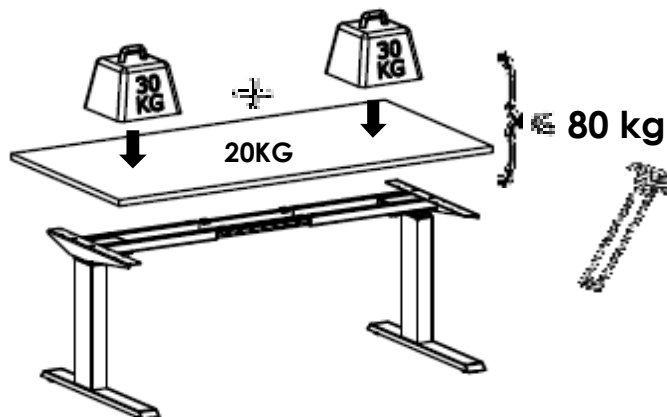
### 2.2 Symbols used on the workstation frame


	Do not place objects or parts of the body under the workstation frame or between the cross members. This could cause serious injury or even result in death.
---	--

### 2.3 Maximum weight allowed on frame

		Do not exceed the maximum permitted load of (a) 80 kg including table top (Smart-e-2) (b) 100 kg including table top (Compact-e-2) on the workstation frame. Avoid unbalanced load, distribute the weight evenly, otherwise overload may occur. Overloading a frame may cause breakage and close by individuals may suffer serious injuries as a consequence.
--	--	--

Example (a) :



 The entire weight should be evenly distributed.



Example (b) :



## 2.4 Maximum weight allowed per column



Do not exceed the maximum permitted load of 50 kg (including table top) on a column. Overloading a frame may cause breakage and close by individuals may suffer serious injuries as a consequence.



## 2.5 Organizational measures

- The workstation frame can best be assembled by two people. Turning the frame, once the work surface has been fitted, is a task in particular which requires two people!

## 2.6 Informal safety measures

- Keep the assembly/operating manual in the place where the workstation frame is used at all times.
- Make sure that all safety information on the table (see Section Symbols used on the workstation frame) is legible, replacing the same if necessary.

## 2.7 Note for those assembling the workstation

- The workstation must be assembled/worked on by persons over the age of 16.
- The persons referred to above must have read and understood the assembly /operating manual.

## 2.8 Transport and assembly

- The workstation frame must be moved by two persons only, and in such cases must be retracted.
- Do not drag or pull the workstation frame over the floor.
- Assemble the workstation frame with the supplied tools only. They are the only tools which ensure that the screws can be tightened to the correct torque.

## 2.9 Use of the workstation frame

- Do not allow children to use the workstation frame unsupervised. Children may be unaware of the dangers presented by the workstation frame. They would be in serious danger of injuring themselves, possibly even with fatal consequences. Further adjustment must then be impossible as a safeguard against use by children.
- The workstation frame must only be used in appropriate areas.
- Do not use the workstation frame on an uneven surface. In such conditions it will not be steady.
- Never exceed the maximum load on the workstation frame.

## 2.10 Specific dangers

- When adjusting the height of the frame there is danger of injury. Make sure that there is no-one else in the immediate surroundings of the frame.
- When assembling the workstation frame, make sure there is ample space to avoid collisions (i.e. inclination of roof, fixed objects, filing cabinets, waste-paper bins etc.) in all imaginable directions.
- Make sure there is ample space to avoid collisions if there are objects on the work surface such as computers or computer peripherals.
- Make sure there is clearance of at least 25 mm from all other furniture, all around the workstation frame.



**2.11 In an emergency**

- Stop using the workstation frame at once if you notice anything unusual (strange sounds etc.).
- Have the workstation frame repaired by specialists. Refrain from using the workstation frame until it has been successfully repaired.

**2.12 Maintenance and upkeep**

- The workstation frame and its components are low-maintenance items and need no special regular maintenance.
- Do not perform any repairs on the work surface or other components yourself.
- Do not alter the construction of the work surface or its frame.
- Any faulty components removed must be replaced with new, original components from the manufacturer. Use only original replacement parts made by the manufacturer. Have any such work carried out by a specialist, making reference to this Assembly/operating manual.

**2.13 Cleaning**

- Dust the workstation frame once a week with a dry cloth.
- Clean the workstation frame with a damp cloth and a weak solution of cleaner once a fortnight.

**2.14 Persistent risks**

This workstation frame has been built to the state of the art and to recognized safety regulations. Nonetheless, its use may constitute a risk to the health and safety of users or third parties, damage to the workstation frame or to other items. The workstation frame must be used only:

- for the purpose for which it was intended.
- if it is completely safe to do so.

### 3 Assembly



Before attempting assembly, read the Safety Information in Section 2.



To protect components and the floor from scratches, it is advisable to use a pad before assembly. You can, for example, use the supplied cardboard by unfolding it.

#### 3.1 Pre-assembly of the Crossbars

##### 3.1.1 Recommended Top Sizes

Frame set-up	Width / size table top	Depth / size table top	Table Top Thickness
110 cm	120 cm	80 cm	2.5 cm
130 cm	140 cm	80 cm	2.5 cm
150 cm	160 cm	80 cm	2.5 cm
170 cm	180 cm	80 cm	2.5 cm

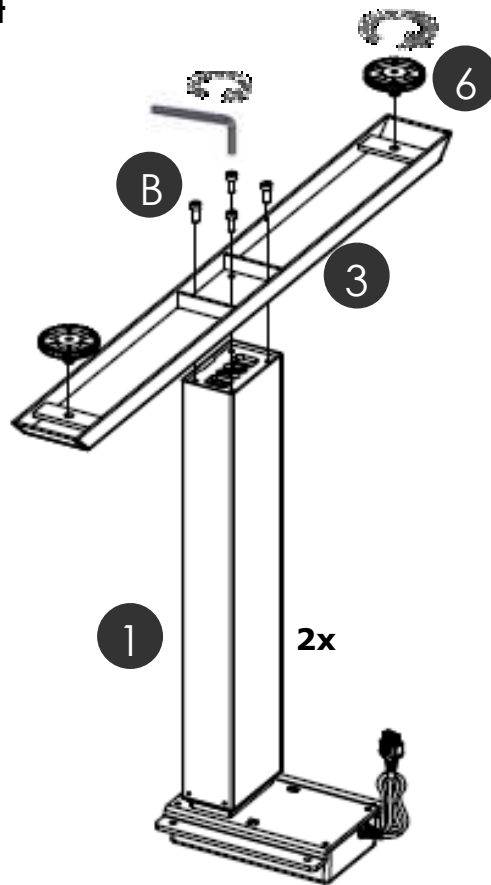


1

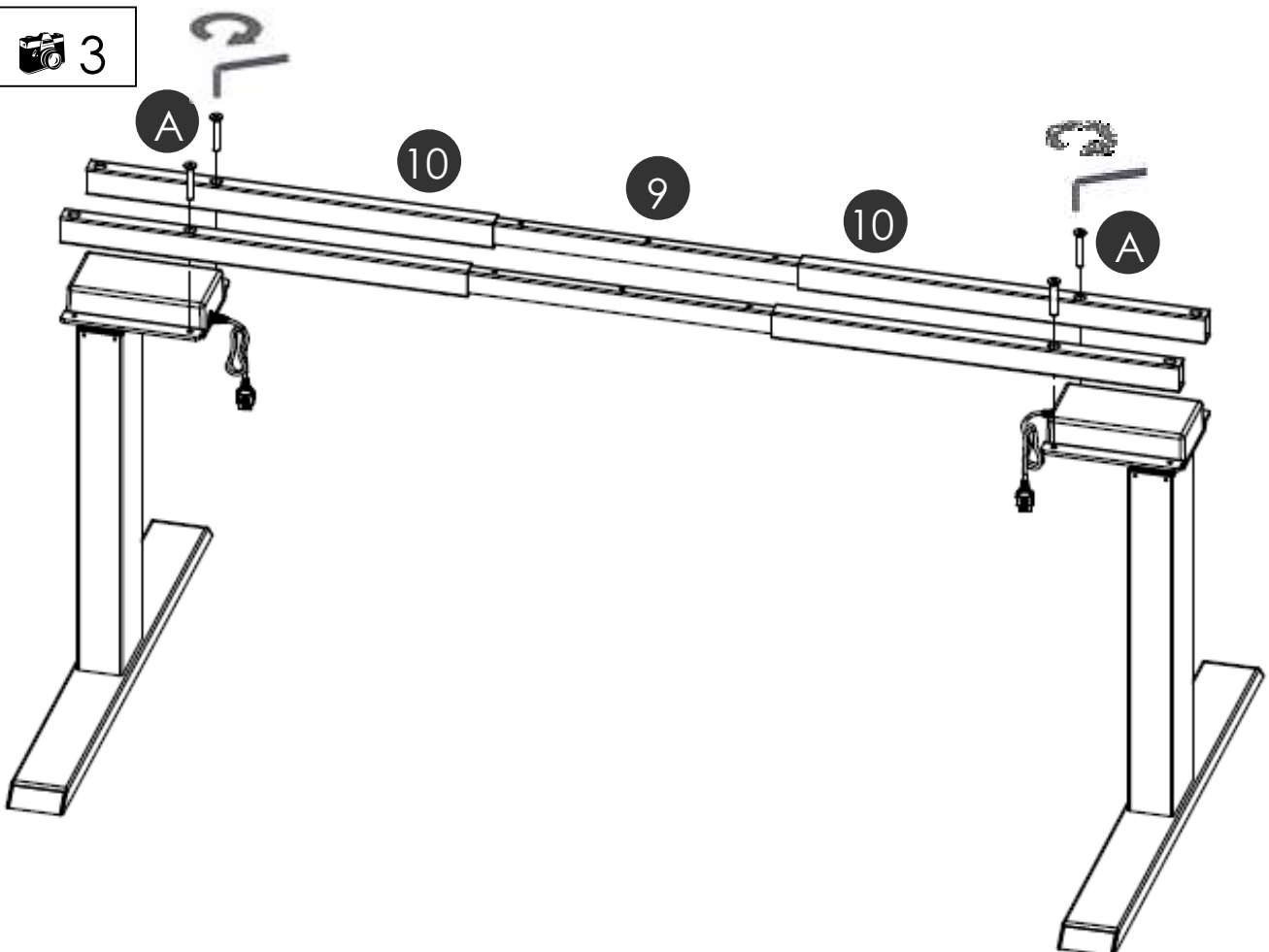


- Do not tighten the set screws on the crossbars yet!

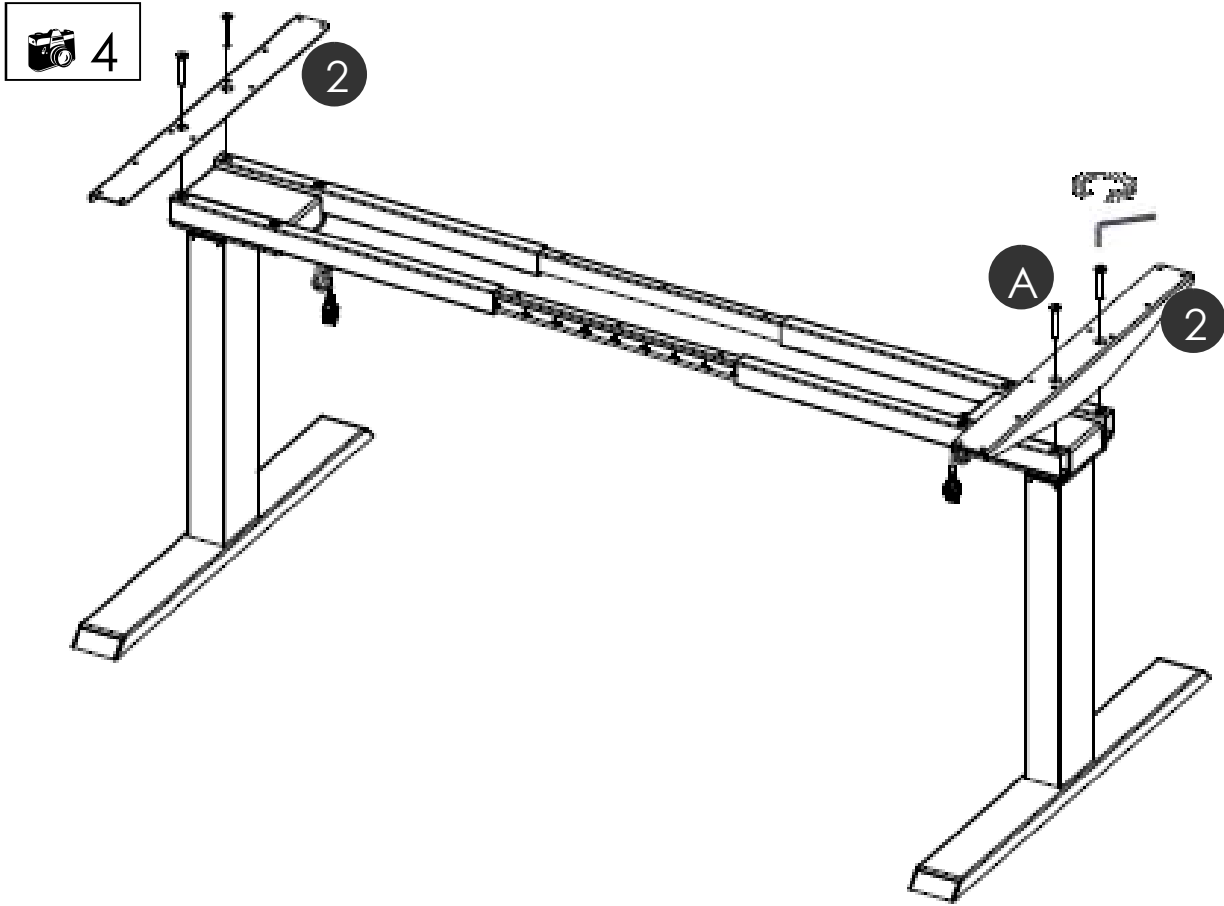
### 3.2 Mounting the Feet



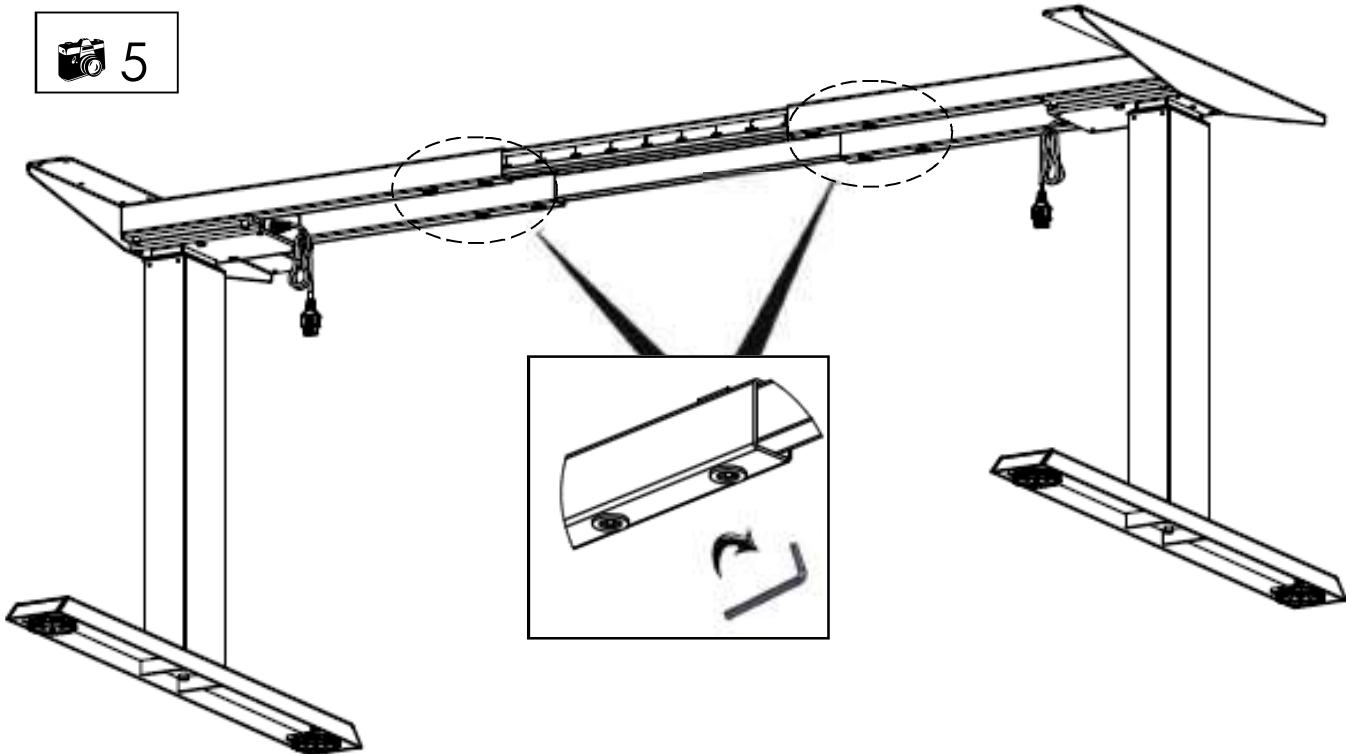
### 3.3 Mounting the Crossbar



### 3.4 Mounting the Top Support

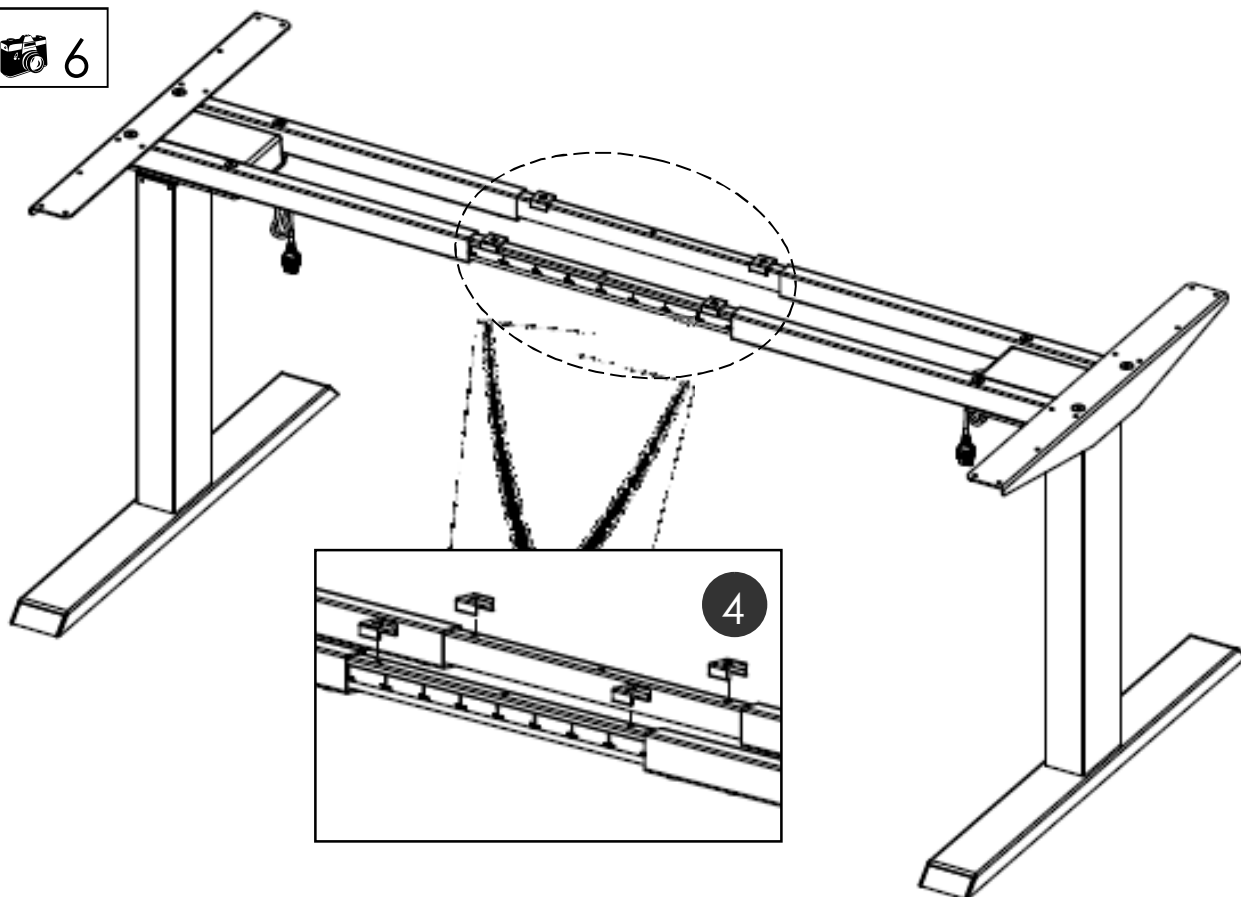


### 3.5 Adjustment of the Frame Width

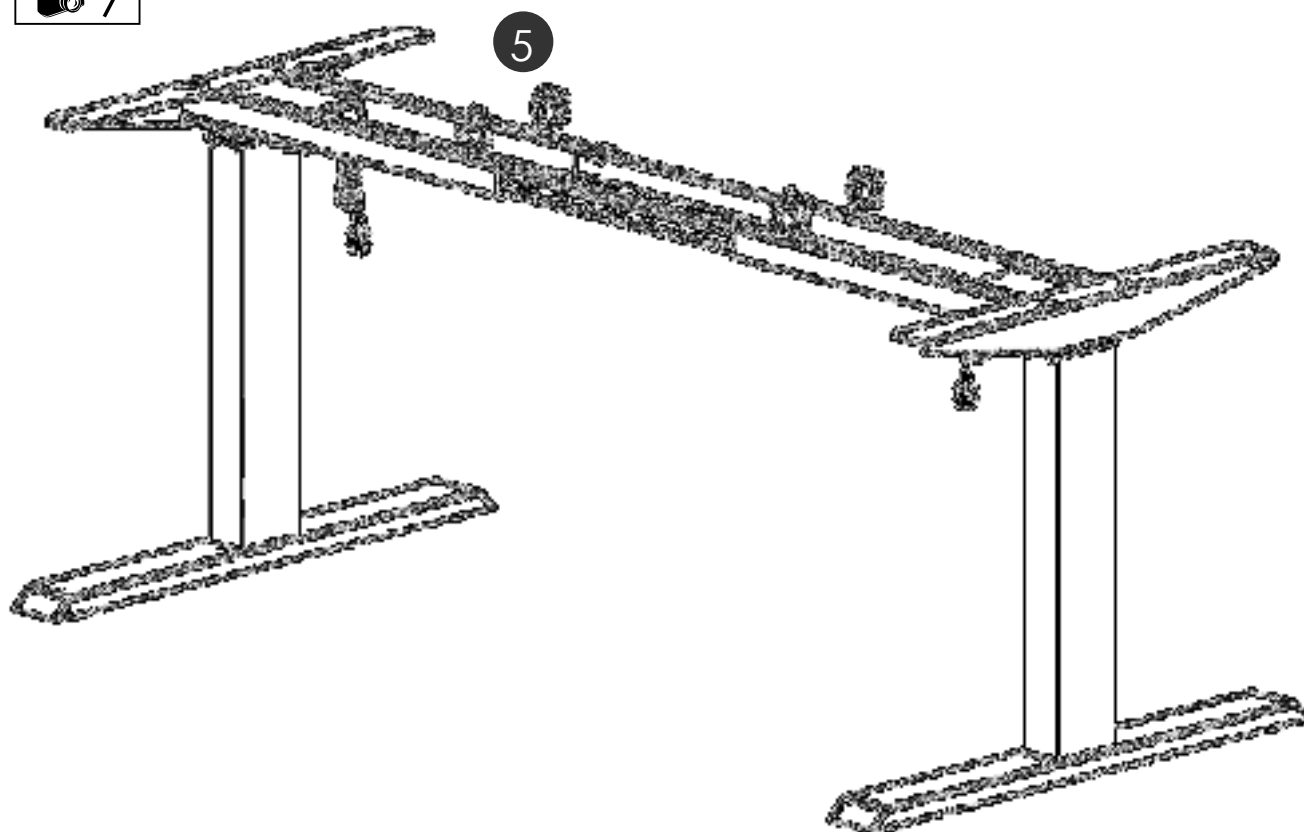


Adjust the frame into the desired width. Tighten the set screws on the crossbar with Allen key M3.

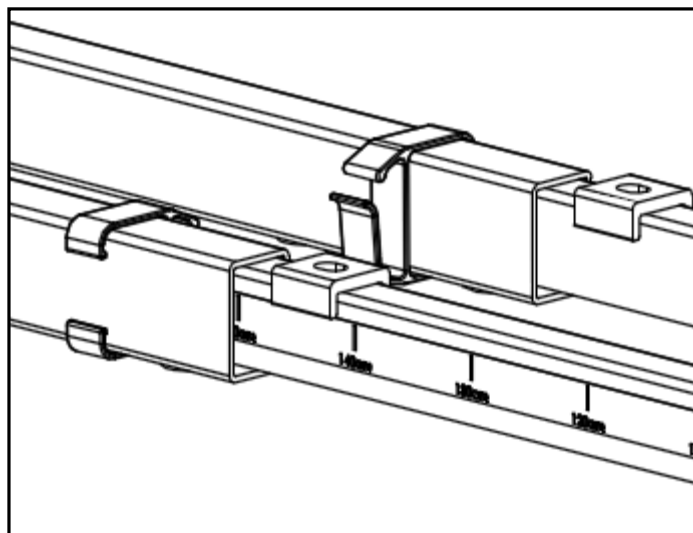
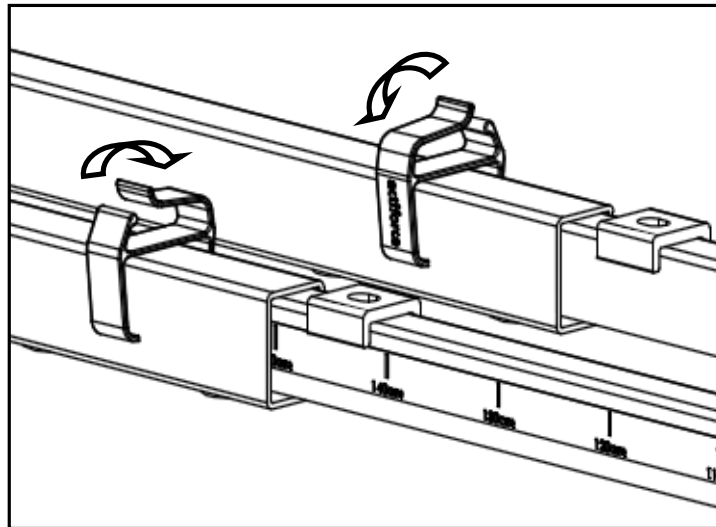
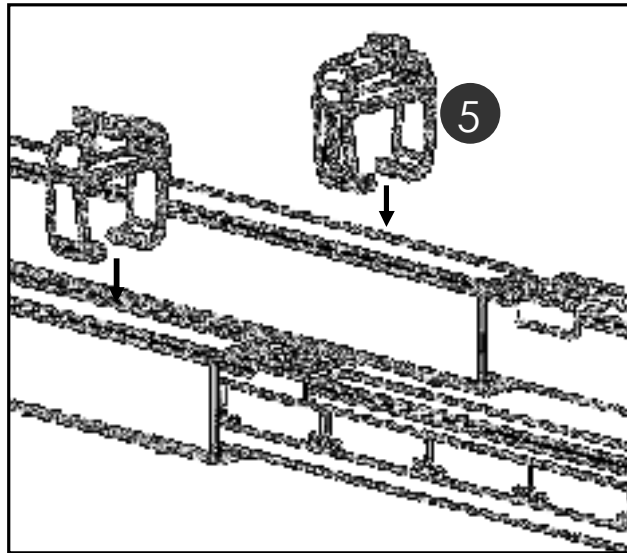
### 3.6 Mounting the Spacers

 6

### 3.7 Mounting the Cable Clips

 7

 8



### 3.8 Connecting the Electrical Components



#### OPTIONAL



Keep in mind that the desk which you are assembling is height adjustable. The cables of the electrical components must be able to freely follow the movement of the desk.

### 3.9 Mounting the table top

### 3.10 Mounting the power supply underneath the table top



OPTIONAL



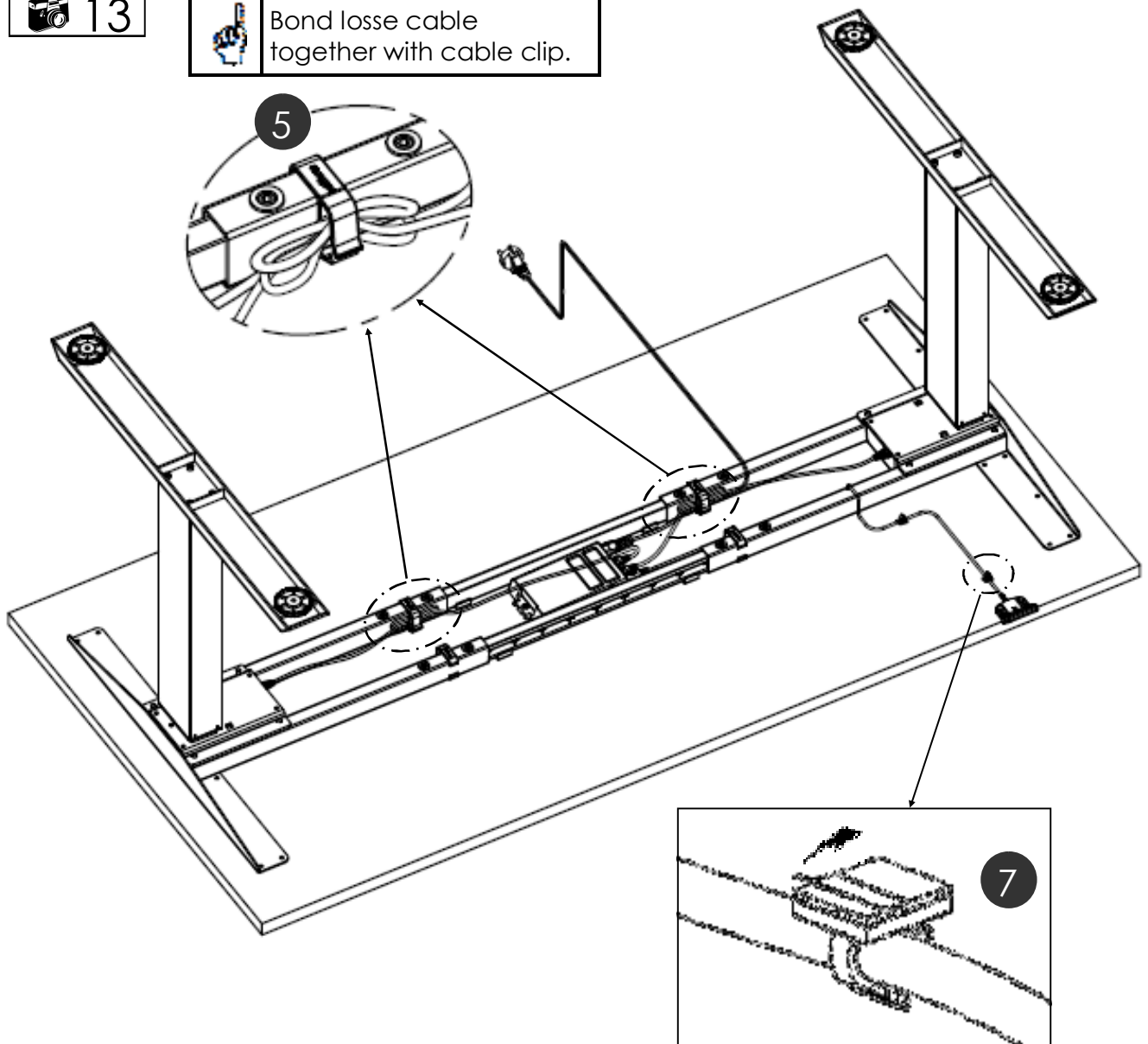
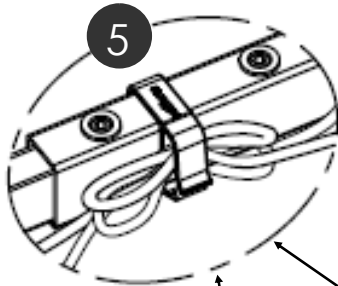


### 3.11 Mounting the Wire Clip

13



Bond loose cable together with cable clip.



Mount the wire clips for cable. Peel off paper backing and stick to table top. Place wire into each wire clip.

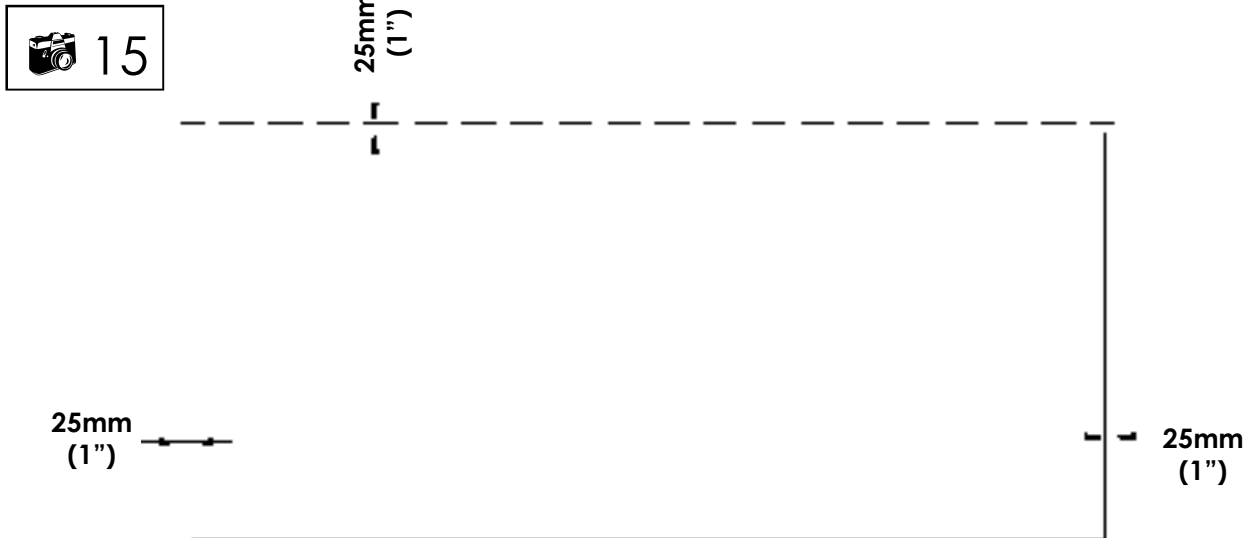
OPTIONAL 14

Bond loose cable together with cable clip.



Mount the wire clips for cable. Peel off paper backing and stick to table top. Place wire into each wire clip.

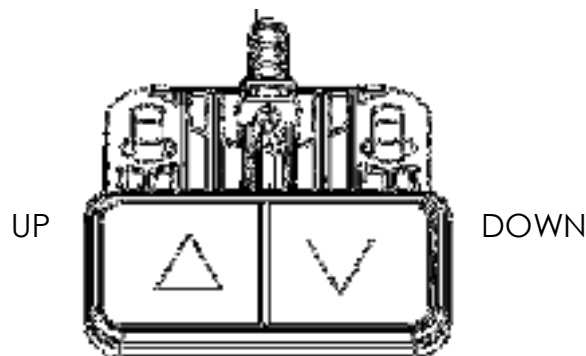
### 3.12 Clearance around the wall or moving parts 25mm of the table



Allow a minimum clearance of 25mm (1") from the edge of a table top to a wall or moving parts.

### 3.13 Frame test without table top

	Please make sure that the workstation frame can move freely and correct at all times.
	In case you need to disconnect cables from the electrical components always be sure to disconnect power first.
	In case the height adjustment is not operating normally, stop using the workstation frame immediately and disconnect the power. Get in contact with customer service for further advise

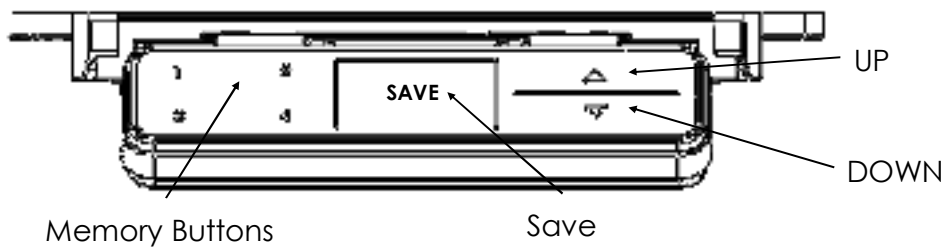


#### Reset Mode

The first time you put in the plug of the power supply into the socket the height adjustment can only be operated in the reset-mode. As long as the reset-mode is enabled, the system can only move downward. In order to use the system normally, please follow the next steps:

- Press and hold the down-button, the system slowly moves downward.
- Please move the system to the lowest position. This position will be used as reference-point (zero-point).
- Keep the button pressed for a moment when the system has reached the lowest position. This will end the reset-mode.
- The system can be operated normally now. Press and hold the up- or down-button to move the system to the desired height. The system stops when you release the buttons.

## Functions of the Memory Master (Optional)



### UP/DOWN

Press and hold these buttons to adjust height into a desired position. If you release the button the height adjustment will stop.

### Saving a preferred height position

Adjust the frame to a desired position. Press SAVE.

The display will show:



Immediately press one of the memory buttons, The display “-” will be replaced by the number of the button you have chosen. Two seconds later the power supply will confirm the setting with a double click sound.

### Memory Buttons

Press and hold these buttons to adjust height into a preferred position. When you release the button the height adjustment will stop. When the frame reaches the preferred position the height adjustment will slow down and stop.

### Changing displayed height

This function only changes the displayed height but not the actual height. Press SAVE once.

As soon as the display shows:



Press and hold DOWN until the displayed height blinkingly reappears. You can now change the value by pressing UP or DOWN. To conclude this process simply press save.

### Reset Mode

The first time you put in the plug of the power supply into the socket the height adjustment can only be operated in the reset-mode. As long as the reset-mode is enabled, the system can only move downward. In order to use the system normally, please follow the next steps:

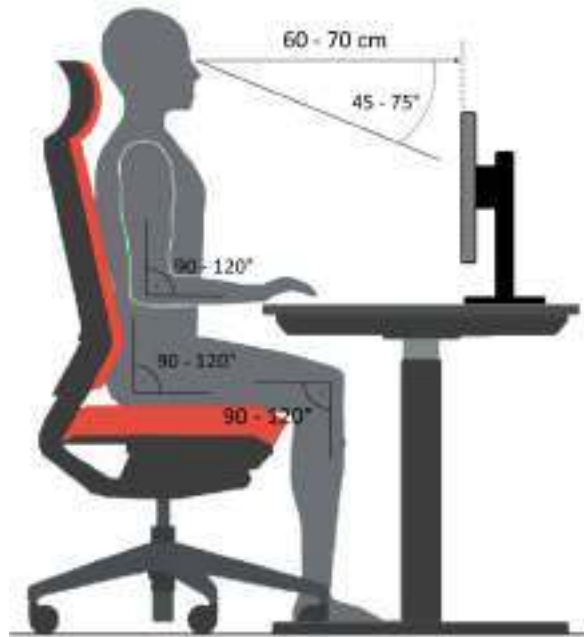
- Press and hold the down-button, the system slowly moves downward.
- Please move the system to the lowest position. This position will be used as reference-point (zero-point).
- Keep the button pressed for a moment when the system has reached the lowest position. This will end the reset-mode.
- The system can be operated normally now. Press and hold the up- or down-button to move the system to the desired height. The system stops when you release the buttons.

### System restart—initializing the reset-mode

In order to initialize reset it is generally necessary to lower the frame to its lowest position.

- Press “down-” buttons (about 10 seconds) until the sound “click” is heard.
- Proceed with the “Reset-mode” instructions listed above.

## 4 Correct position of seat



### Correct sitting posture

Sitting incorrectly can lead to injuries at joints, bowstrings and muscles. In order to prevent this it is necessary to adjust your office chair and desk.

Apart from the following advise you should always prevent an uncomfortable sitting posture. If you feel that the following advices leads you to an uncomfortable sitting posture simply adapt your needs.

### Office Chair

- The sitting height has to be adjusted in way that your knee is angled by 90-120° when your foot is flat on the ground.
- Sitting properly requires that your lower back touches the back rest. If possible align the seating depth in order to avoid pressure from the seat pan to your lower leg .
- Sit upright but lean back in a relaxed position. If possible adjust the lumbar support of your chair to your height. Adjust the back rest in a way that pushes your upper body slightly forward but still offering enough flexibility to yield movement.
- If possible adjust the height of your armrests. Your shoulders should be in a relaxed position when your arms are touching the arm rest.

### Desk

- Adjust the table height after you have found your correct sitting posture.
- Your elbows should be angled by 90-120° when your arms rest on the table top. The edge of the top should not press against your arms.

### Equipment on the desk

- Incident light (day light or lamps) on your monitor should approach the surface of your screen by an angle of 90°.
- The height of your monitor should be adjusted in way that enables you to look slightly downward while focusing the center of your screen.
- Please keep a distance of 60-70 cm from your screen.
- A careful posture for your wrists can be achieved by a flat narrowed keyboard.
- **Please heed the advice in the manuals of your further (ergonomical) equipment.**

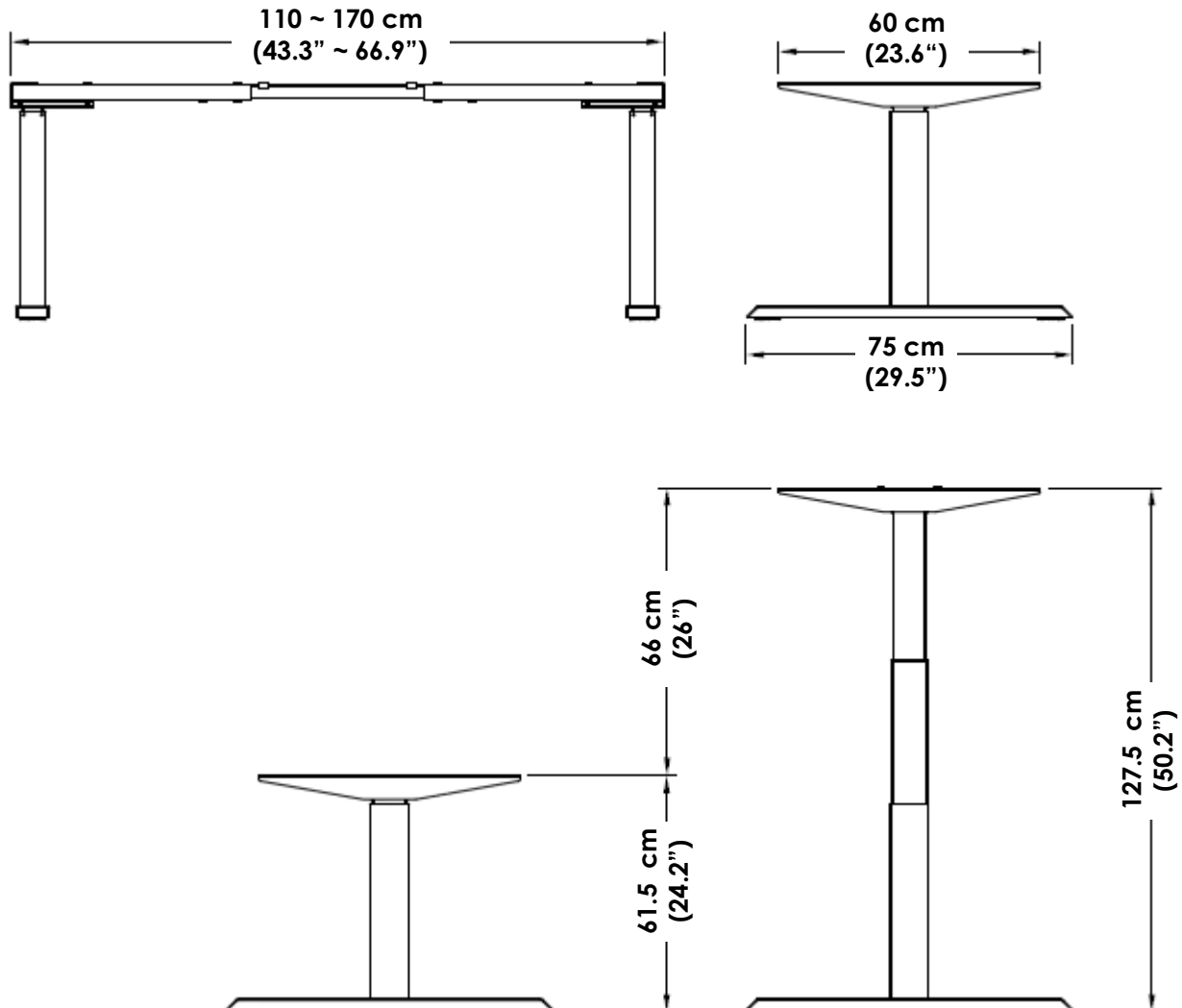
## 5 Technical Specification

Assembly Manual version	SLS-IM0015-1EN-DE-NL
Year of Publication	January 2018
Production country	Malaysia
System	2-step
Material	Steel, Plastic and Aluminium
Stroke (max.) (1) EN527 (2) BIFMA	(1) 660mm (26") (2) 662mm (26")
Frame load (max.) I. SMART-e-2 II. COMPACT-e-2	I. 80 kg II. 100kg
Frame weight I. Steelforce SLS 270 EN527 II. Steelforce SLS 470 BIFMA III. Steelforce SLS 470 EN527 IV. Steelforce SLS 670 BIFMA V. Steelforce SLS 670 EN527	I. ± 36 kg II. ± 30 kg III. ± 30 kg IV. ± 30 kg V. ± 30 kg
Input power I. SMART-e-2-actiforce-EU II. SMART-e-2-actiforce-US III. COMPACT-e-2L-actiforce-EU IV. COMPACT-e-2L-actiforce-US	II. 220-240Vac, 50-60Hz, 2.5A II. 120Vac, 60Hz, 5A III. 220-240Vac, 50-60Hz, 5A IV. 120Vac, 60Hz, 10A
Speed frame load	± 39 mm/s
Duty cycle	10 % (2 Minute on / 18 Minutes off)
Noise level	< 55 dB(A)
Environmental temperature Use	15 - 30°C
Environmental temperature Storing	10 - 50°C
Humidity Use	<85%
Humidity Storing	<50%
Maximum Storing time	-
Indoor use only!!!	

## 5 Technical Specification

(\* General Tolerance =  $\pm 1$  cm)

### EN527

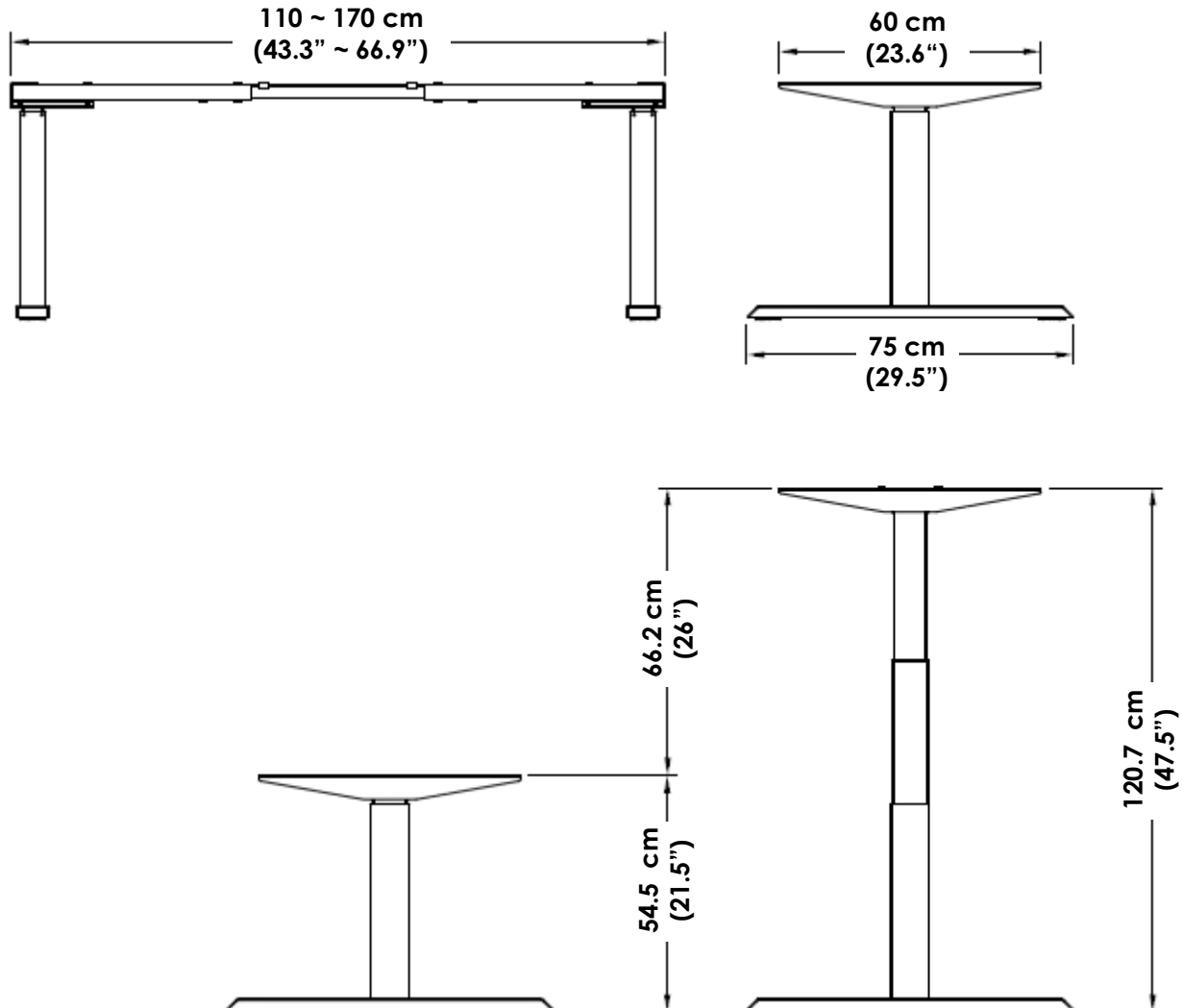


Minimum Frame Height	61.5cm (24.2")
Maximum Frame Height	127.5cm (50.2")
Maximum Stroke	66cm (26")
Frame Width	110-170cm (43.3"-66.9")
Frame Depth	75cm (29.5")
Minimum Table Top Depth	60cm (23.6")

## 5 Technical Specification

(\* General Tolerance =  $\pm 1$  cm)

### BIFMA



Minimum Frame Height	54.5cm (21.5")
Maximum Frame Height	120.7cm (47.5")
Maximum Stroke	66.2cm (26")
Frame Width	110-170cm (43.3"-66.9")
Frame Depth	75cm (29.5")
Minimum Table Top Depth	60cm (23.6")



## 6 Operation and Indicators



Observe the provisions of Section 2, Safety Information on page 7, in particular:

Do not leave children unsupervised with the workstation frame. Children may be unaware of the dangers presented by the workstation frame. They would be in serious danger of injuring themselves, possibly even with fatal consequences.

Do not exceed the maximum time lag of the workstation frame. Make sure there is ample space to avoid collisions if there are objects on the work surface such as computers or computer peripherals.

### 6.1 Indicators



Leave the immediate surroundings of the workstation frame at once if it starts to move spontaneously. Under no circumstances attempt to operate the workstation frame.

Stop using the workstation frame at once if you notice anything unusual (strange sounds, smoke, etc.).

Have the workstation frame repaired by specialists. Refrain from using the workstation frame until it has been successfully repaired.

Stop using the workstation frame at once if its safety features fail to work as they should.

## 7 Troubleshooting

Problem	Possible cause	Solution
Height adjustment does not work.	Cables or connectors defective.	Check cables for damages and if necessary replace them. Power in order?
Height adjustment does not work.	If cables and connectors have been checked a possible cause could be a defective up-down switch.	Replace up-down switch.
Height adjustment does not work.	Error in power supply.	Initialize reboot.

**If your problem couldn't be solved or is not listed here, please contact your customer service for further advise.**

## 8 Customer Service

Make sure you have the workstation frame information at hand when contacting the customer service.

Retailer :

## 9 Manufacturer

### **Actiforce International B.V.**

Het Steenland 20  
3751 LA Bunschoten-Spakenburg  
The Netherlands

+31 (0)33 4600120  
[www.actiforce.com](http://www.actiforce.com)  
[info.holland@actiforce.com](mailto:info.holland@actiforce.com)

## 10 Recycling

### 10.1 Taking the workstation out of active duty

- Pull the power plug out of the electricity socket.

### 10.2 Taking the workstation apart

- In case of de-assembling please follow the manual backwards or contact customer service.

### 10.3 Recycling

- Please split all parts to their type of material. Keep notice of National restrictions!

# 1 Allgemeines

## 1.1 Bedeutung der Betriebs- und Montageanleitung

Grundvoraussetzung für den sicherheitsgerechten Umgang und den störungsfreien Betrieb dieses Tischgestells ist die Kenntnis der grundlegenden Sicherheitshinweise und der Sicherheitsvorschriften. Diese Betriebs- und Montageanleitung enthält die wichtigsten Hinweise, um das Tischgestell sicherheitsgerecht zu montieren und zu bedienen. Diese Betriebs- und Montageanleitung, insbesondere die Sicherheitshinweise, sind von allen Personen zu beachten, die das Gestell aufbauen und an dem fertigen Tisch arbeiten. Darüber hinaus sind die für den Einsatzort geltenden Regeln und Vorschriften zur Unfallverhütung zu beachten.

## 1.2 Sachgemäße Verwendung

Das vorliegende Gestell dient ausschließlich der Verwendung als höhenverstellbarer Sitz-/ Steharbeitsplatz in geschlossenen Räumen. Das Gestell ist somit auch nur für diesen Verwendungszweck bestimmt. Das Tischgestell darf nur in Bürouräumen aufgestellt und verwendet werden. Verwenden Sie das Tischgestell nur in gewerblichen Räumen. Beachten Sie hierzu unbedingt das Kapitel 2 „Sicherheitshinweise“. Kinder können die vom Tischgestell ausgehenden Gefahren nicht einschätzen, wenn sie sich unbeaufsichtigt in der Nähe des Tisches aufhalten. Eine andere oder darüber hinausgehende Benutzung gilt als nicht sachgemäß. Für hieraus entstehende Schäden haftet der Hersteller nicht.

Zur sachgemäßen Verwendung gehört auch :

- das Beachten aller Hinweise aus der Betriebs- und Montageanleitung und
- das Verbot von jeglichen An- und Umbauten am Tisch.

## 1.3 Sachwidrige Verwendung

- Verwenden Sie das Tischgestell niemals zum Heben von Personen oder Lasten!!!
- Belasten Sie das Tischgestell nur bis zur maximalen Last.
- Verwenden Sie das Tischgestell nur in gewerblichen Räumen.
- Das Schreibtischgestell darf nur mit dem im Lieferumfang enthaltenen Netzgerät betrieben werden.

## 1.4 Erdungsvorschrift

Diese Workstation muss geerdet werden. Schließen Sie diesen Workstation-Rahmen nur an eine ordnungsgemäß geerdete Steckdose an. Im Fall einer Funktionsstörung oder eines technischen Defekts stellt eine Erdung den Weg des geringsten Widerstands für den Strom dar und verringert die Gefahr eines Stromschlags. Dieser Workstation-Rahmen ist mit einer Schnur mit Erdungsleiter und Erdungsstecker ausgestattet. Der Stecker muss in eine geeignete Steckdose eingesteckt werden, welche entsprechend allen örtlichen Vorschriften und Bestimmungen richtig installiert und geerdet ist.



Für die Schutzerdung soll der Terminal mit dem Potenzialausgleich des Gebäudes, in dem der Workstation-Rahmen aufgestellt werden soll, verbunden sein. Terminals für den Anschluss von externen Potenzialausgleichsleitern müssen den Anschluss von Leitern mit einer Nenn-Querschnittsfläche von 2,5 mm<sup>2</sup> bis 6 mm<sup>2</sup> erlauben.

## 1.5 Gefahr

Ein falscher Anschluss des Erdungsleiters des Workstation-Rahmens kann einen Stromschlag zur Folge haben. Fragen Sie im Zweifelsfall einen qualifizierten Elektriker, ob das Produkt richtig geerdet ist. Nehmen Sie an dem mit dem Produkt gelieferten Stecker keine Veränderung vor. Sollte die Netzschnur beschädigt sein, muss sie durch eine Spezialschnur oder -einheit ersetzt werden, die beim Hersteller oder dessen Servicevertretung erhältlich ist.

**WARNUNG: Alle vom Hersteller nicht ausdrücklich genehmigten Änderungen oder Modifikationen könnten dazu führen, dass der Benutzer die Einrichtung nicht in Betrieb nehmen darf.**

# 1.6 Lieferumfang



Montage muss von 2 Personen durchgeführt werden!

## Teile



## Beschlägebeutel



## Werkzeuge



\*\* Steuerung (Netzgerät) 11(a) :

- I. SMART-e-2-actiforce-EU : Input: 220-240Vac, 50-60Hz, 2.5A; Output: 216VA / 24V
- II. SMART-e-2-actiforce-US : Input: 120Vac, 60Hz, 5A; Output: 216VA / 24V

\*\* Steuerung (Netzgerät) 11(b) :

- I. COMPACT-e-2L-actiforce-EU : Input: 220-240Vac, 50-60Hz, 5A; Output: 288VA / 24V
- II. COMPACT-e-2L-actiforce-US : Input: 120Vac, 60Hz, 10A; Output: 288VA / 24V

Tabelle : 24VDC, 4A

## 2 Sicherheitshinweise

### 2.1 Symbol- und Hinweiserklärungen

In der Betriebs- und Montageanleitung werden folgende Hinweise und Symbole für Gefährdungen verwendet:

	<p>Dieses Symbol weist auf eine unmittelbar drohende Gefahr für das Leben und die Gesundheit von Personen hin. Das Nichtbeachten dieser Hinweise kann schwere gesundheitsschädliche Auswirkungen zum Beispiel lebensgefährliche Verletzungen, bis hin zur Todesfolge haben .</p>
	<p>Dieses Symbol deutet auf einen wichtigen Hinweis hin. Das Nichtbeachten kann zu Schäden am Gestell führen .</p>

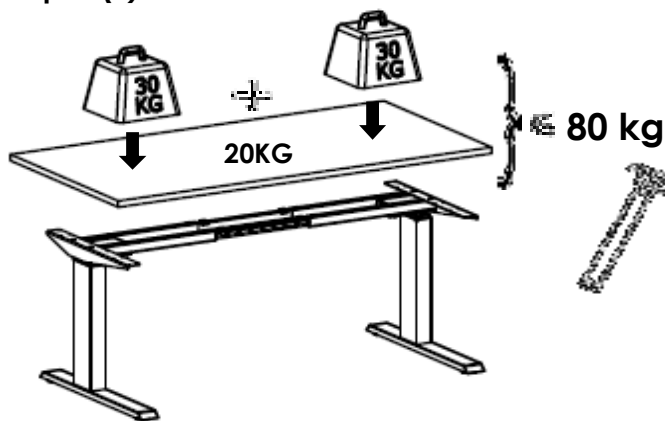
### 2.2 Verwendete Symbole am Tischgestell

	<p>Bringen Sie keine Gegenstände oder Körperteile unter das Tischgestell bzw. zwischen die Traversen. Eine Nichtbeachtung kann zu schweren Verletzungen oder zum Tod führen .</p>
---	---

### 2.3 Zulässiges Gesamtgewicht auf dem Tischgestell

		<p>Belasten Sie das Tischgestell nur mit der maximal zulässigen Last von                  (a) 80 kg inklusive Tischplatte (Smart-e-2)                  (b) 100 kg inklusive Tischplatte (Compact-e-2)                  Vermeiden Sie einseitige Beladungen, verteilen Sie das Gewicht soweit wie möglich gleichmäßig. Eine Überlastung kann zum Zusammenbruch des Gestells führen und bei nahestehenden Personen schwere Verletzungen verursachen.</p>
--	--	--

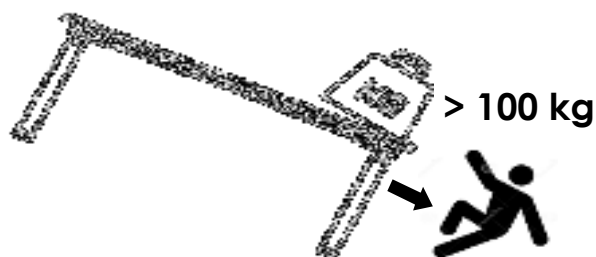
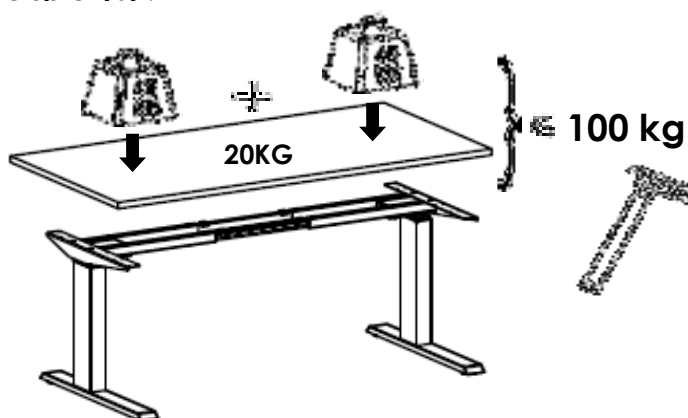
Beispiel (a) :



 Das gesamte Gewicht sollte gleichmäßig verteilt werden.



Beispiel (b) :



## 2.4 Zulässiges Gesamtgewicht pro Säule



Belasten Sie eine einzelne Säule mit nicht mehr als der maximal zulässigen Last von 50 kg, (inklusive Tischplatte). Eine Überlastung kann zum Zusammenbruch des Gestells führen und bei nahestehenden Personen schwere Verletzungen verursachen.



## 2.5 Organisatorische Maßnahmen

- Montieren Sie das Tischgestell am besten mit zwei Personen. Speziell das Umdrehen des Gestells mit montierter Tischplatte muss mit zwei Personen erfolgen!

## 2.6 Empfohlene Sicherheitsmaßnahmen

- Bewahren Sie die Betriebs- und Montageanleitung ständig in der Nähe des Einsatzortes des Tischgestells auf.
- Halten Sie alle Sicherheits- und Gefahrenhinweise an dem Tisch (siehe Kapitel "Verwendete Symbole am Tischgestell") in lesbarem Zustand und aktualisieren Sie diese gegebenenfalls.

## 2.7 Hinweise zur Montage

- Montage des Tischgestells oder Arbeiten am Tischgestell darf nur durch Personen mit einem Alter ab 16 Jahren erfolgen.
- Die Monteure müssen die Betriebs- und Montageanleitung gelesen und verstanden haben.

## 2.8 Transport und Montage

- Bewegen Sie das Tischgestell nur mit zwei Personen und in niedrigster Tischhöhe.
- Kippen oder ziehen Sie das Tischgestell nicht mit den Kufen über dem Boden entlang.
- Montieren Sie das Tischgestell nur mit dem beigefügten Werkzeug. Nur so ist sichergestellt, dass die Schrauben einwandfrei angezogen werden.

## 2.9 Benutzung des Tischgestells

- Lassen Sie Kinder nicht unbeaufsichtigt an das Tischgestell. Kinder können die Gefahren des Tischgestells nicht einschätzen. Es besteht die Gefahr von schweren Verletzungen mit Todesfolge. Zum Schutz von Kindern darf keine weitere Verstellung möglich sein.
- Benutzen Sie das Tischgestell nur in der dafür vorgesehenen Umgebung.
- Benutzen Sie das Tischgestell nicht auf einem unebenen Untergrund. Es besteht die Gefahr des Umklippens.
- Belasten Sie das Tischgestell nur bis zur maximalen Last.

## 2.10 Besondere Gefahrenstellen

- Beim Verstellen der Gestellhöhe besteht Verletzungsgefahr. Achten Sie bei der Verstellung des Tischgestells darauf, dass sich keine Personen in der Nähe des Tischgestells aufhalten.
- Achten Sie bei der Aufstellung des Tischgestells auf vollständige Kollisionsfreiheit (z.B. Dachschräge, bauliche Gegebenheiten, Rollcontainer, Papierkorb, usw.) in allen möglichen Verstellpositionen.
- Achten Sie auch auf Kollisionsfreiheit, wenn sich Gegenstände - z. B. EDV-Geräte - auf dem Tisch befinden.
- Halten Sie einen seitlichen Sicherheitsabstand vom mindestens 25 mm zu jedem anderen Möbelstück ein.

### 2.11 Hinweise für den Notfall

- Nehmen Sie das Tischgestell sofort außer Betrieb, wenn ungewöhnliche Vorkommnisse (Geräusche, Qualm, Rauch usw.) am Tischgestell entstehen sollten.
- Lassen Sie das Tischgestell durch einen Fachbetrieb reparieren. Nehmen Sie das Tischgestell erst wieder nach erfolgter Reparatur in Betrieb.

### 2.12 Wartung und Instandhaltung

- Das Tischgestell und seine Bauteile sind wartungsarm und erfordern keine besondere regelmäßige Wartung.
- Führen Sie keine Reparaturen am Tisch oder den Komponenten selbst durch.
- Nehmen Sie keine baulichen Veränderungen am Tisch vor.
- Tauschen Sie defekte Komponenten des Tischgestells nur gegen neue Originalteile des Herstellers aus. Verwenden Sie bitte ausschließlich Originalersatzteile des Herstellers. Lassen Sie alle damit zusammenhängenden Arbeiten von einem Fachmann unter Beachtung der Anweisungen in dieser Betriebs- und Montageanleitung durchführen.

### 2.13 Reinigung

- Stauben Sie das Tischgestell mit einem trockenen Lappen einmal pro Woche ab.
- Reinigen Sie das Tischgestell mit einem feuchten Tuch und mildem Reinigungsmittel alle 2 Wochen.

### 2.14 Restrisiken

Das Tischgestell ist nach dem Stand der Technik und den anerkannten sicherheitstechnischen Regeln gebaut. Dennoch können bei Verwendung Gefahren für Leib und Leben des Benutzers oder Dritter bzw. Beeinträchtigungen am Tischgestell oder an anderen Sachwerten entstehen. Das Tischgestell ist nur zu benutzen:

- für die sachgemäße Verwendung.
- in sicherheitstechnisch einwandfreiem Zustand .

## 3 Montage



Bitte beachten Sie vor der Montage die Sicherheitshinweise in Kapitel 2.



Um Komponenten und ggf. den Boden vor Kratzern zu schützen, empfiehlt es sich vor der Montage eine Unterlage zu verwenden. Dazu können Sie zum Beispiel den mitgelieferten Karton verwenden indem Sie diesen auseinanderfalten.

### 3.1 Vormontage der Traversen

#### 3.1.1 Empfohlene Tischplattenmaße

Gestellbreite	Tischplatten maße / Breite	Tischplatten maße / Tiefe	Tischplattenstärke
110 cm	120 cm	80 cm	2.5 cm
130 cm	140 cm	80 cm	2.5 cm
150 cm	160 cm	80 cm	2.5 cm
170 cm	180 cm	80 cm	2.5 cm



1



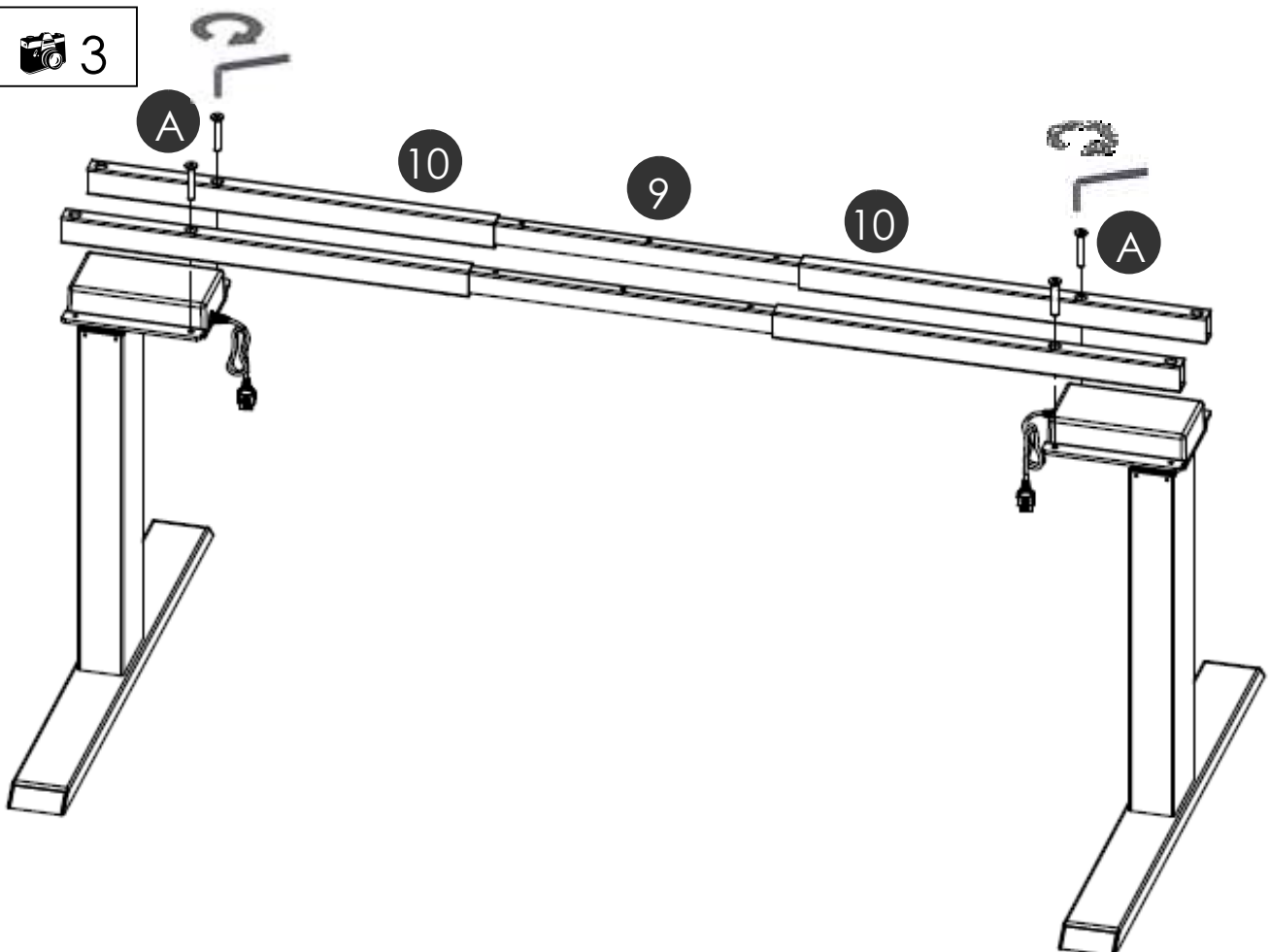
- Ziehen Sie die Gewindestifte noch nicht fest!



### 3.2 Montage der Kufen



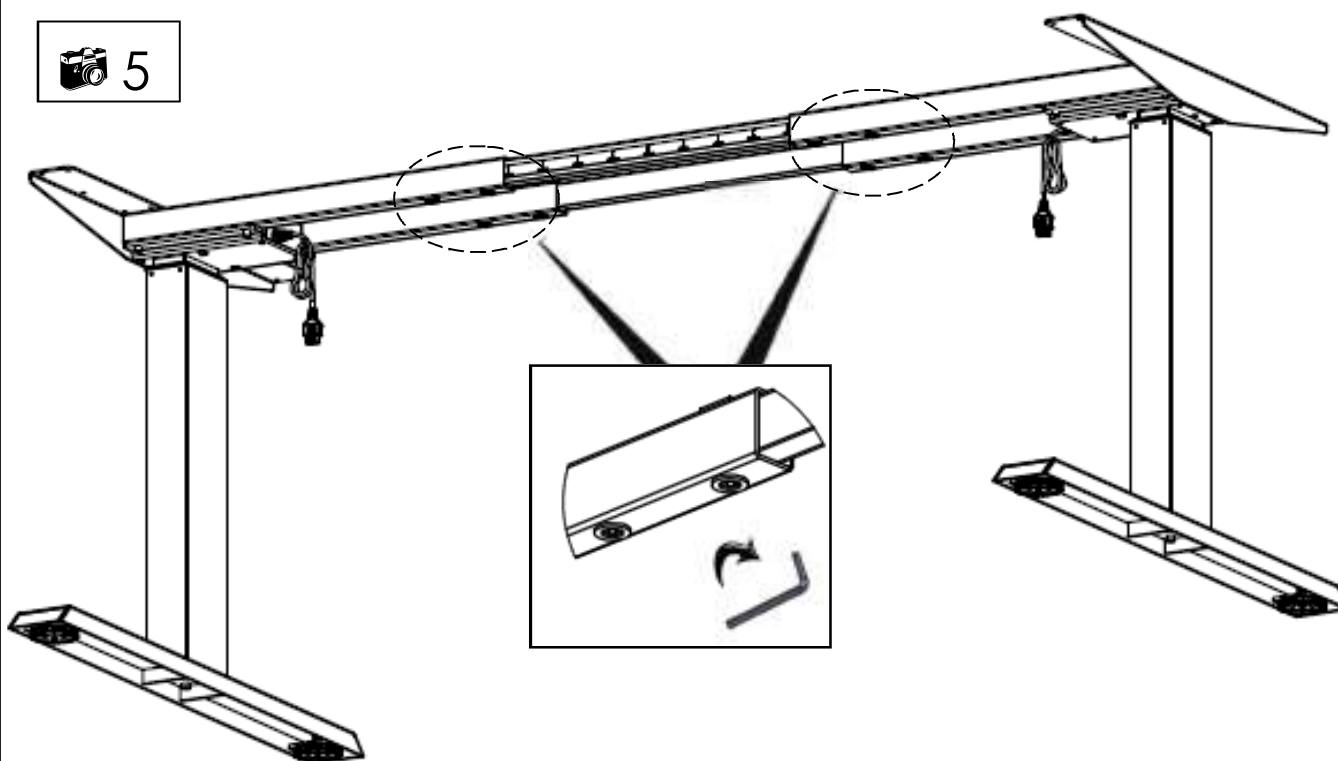
### 3.3 Montage der Traversen



### 3.4 Montage der Plattenträger

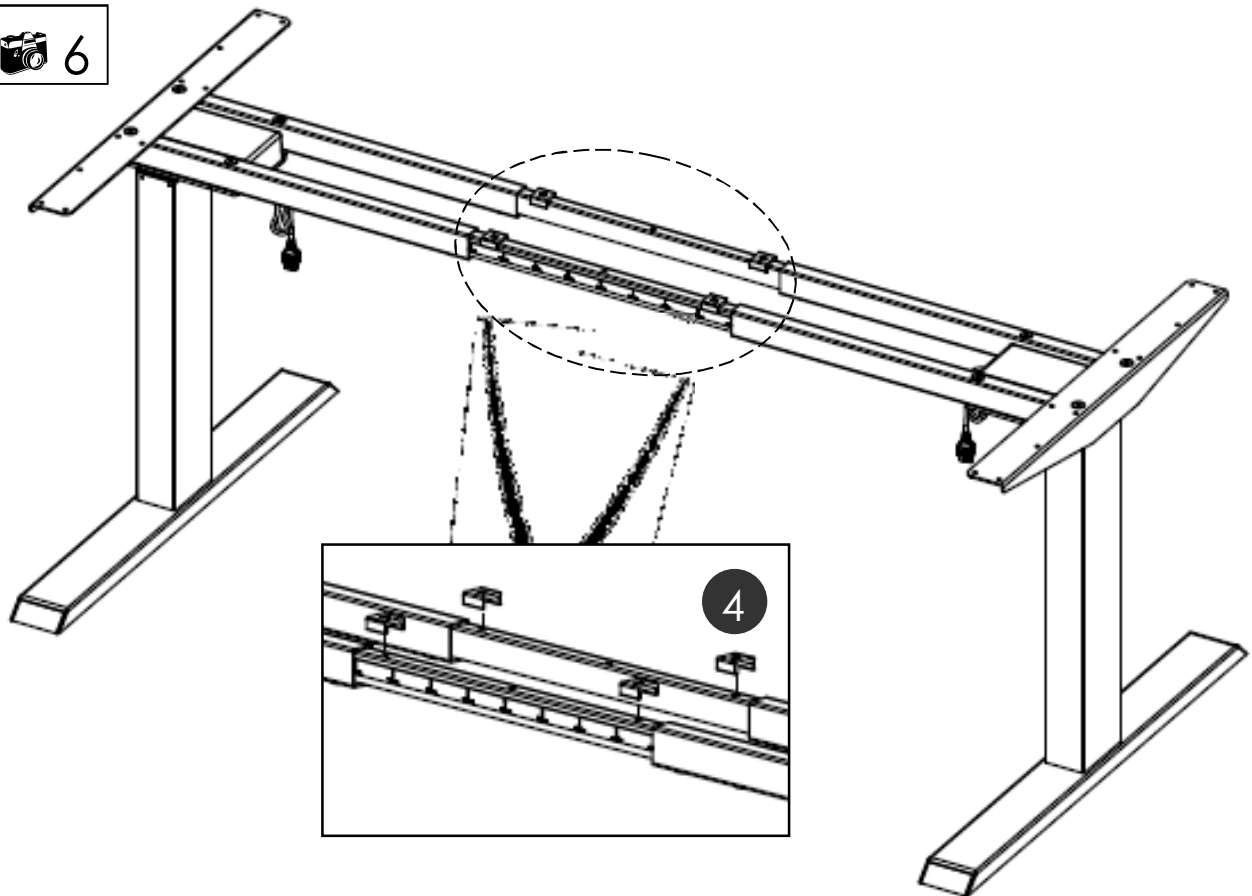
 4

### 3.5 Einstellen der Gestellbreite

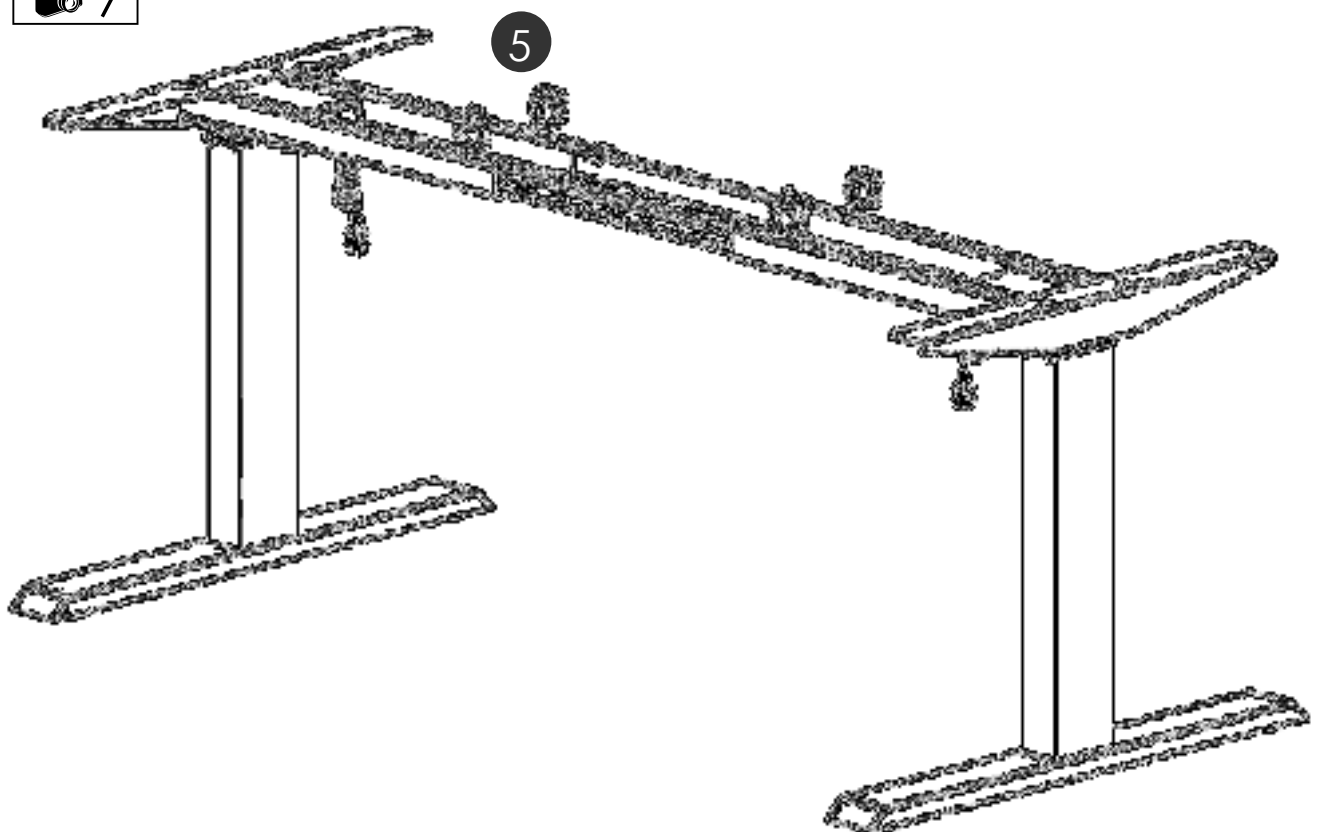
 5

Schieben bzw. drücken Sie das Gestell in die gewünschte Breite. Ziehen Sie mit Hilfe des Sechskantschlüssels die Gewindestifte an der Traverse.

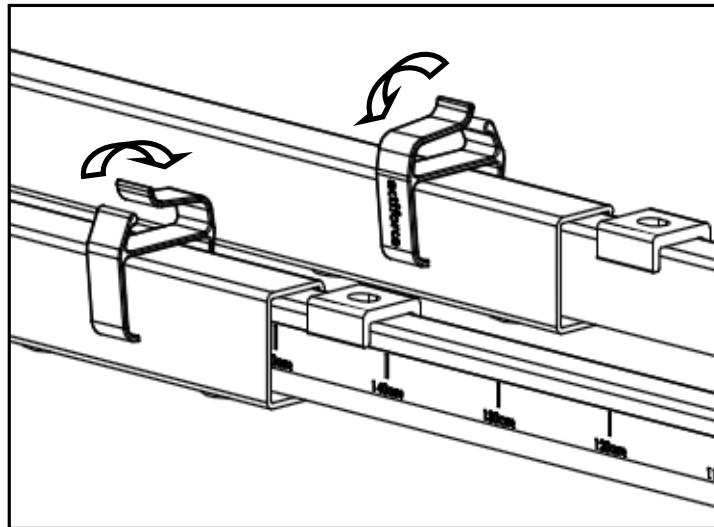
### 3.6 Montage des Abstandhalters

 6

### 3.7 Montage der Kabelhalterungen

 7

 8



## 3.8 Anschließen der elektrischen Bauteile

OPTIONAL

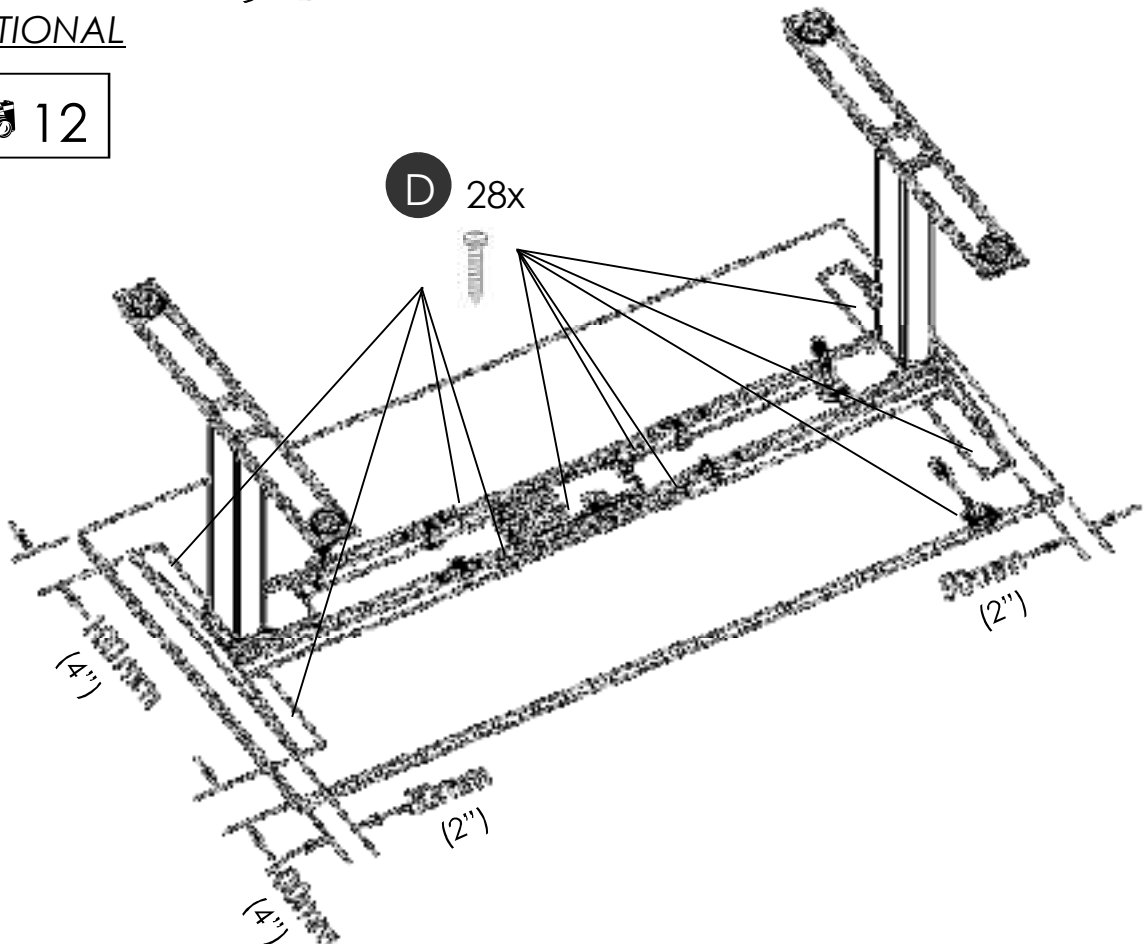
Beachten Sie, dass der Schreibtisch, den Sie montieren, höhenverstellbar ist. Die Kabel der elektrischen Bauteile müssen der Bewegung des Schreibtisches ungestört folgen können.

### 3.9 Montage der Tischplatte

### 3.10 Montage des Netzteils unter der Tischplatte



*OPTIONAL*



## 3.11 Montage der Kabelclips

13



Lose kabel mit  
kabelbinder verbinden.

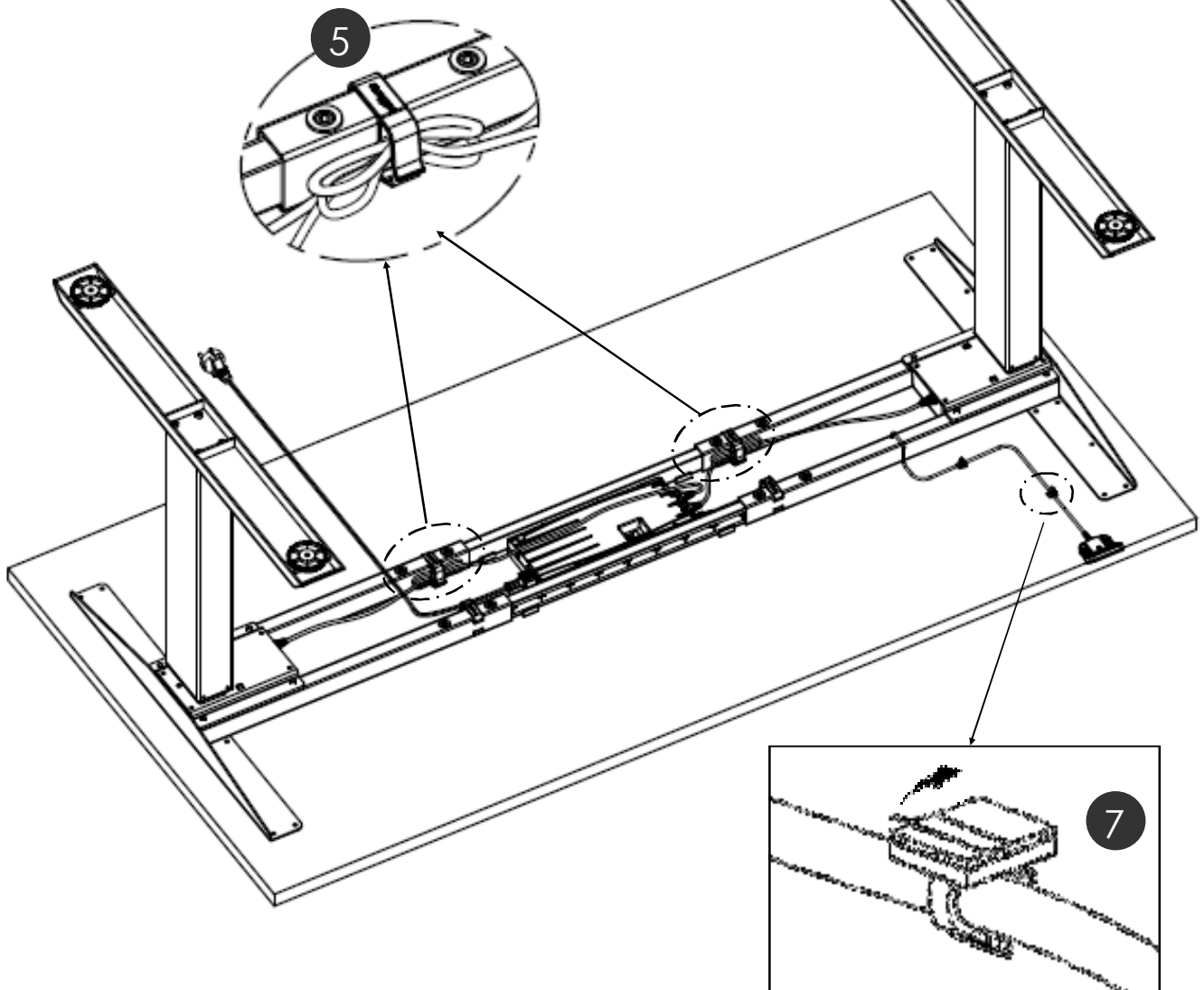


Montieren Sie die Kabelclips. Ziehen Sie das Schutzpapier ab und kleben Sie die Kabelclips an die Tischplatte. Legen Sie das Kabel durch die einzelnen Kabelclips.

## OPTIONAL

 14

Lose kabel mit  
kabelbinder verbinden.



Montieren Sie die Kabelclips. Ziehen Sie das Schutzpapier ab und kleben Sie die Kabelclips an die Tischplatte. Legen Sie das Kabel durch die einzelnen Kabelclips.



### 3.12 Sicherheitsabstand zur Wand oder beweglichen Teilen von 25 mm um die Tischplatte



Lassen Sie einen Sicherheitsabstand von 25 mm (1") zwischen der Kante der Tischplatte und Wänden bzw. beweglichen Teilen frei.

### 3.13 Test und Inbetriebnahme ohne Tischplatte

	<b>Achten Sie darauf, daß alle Bewegungen des Tischgestells sanft und ruckfrei erfolgen.</b>
	<b>Wenn Sie Kabel von den elektrischen Bauteilen abziehen müssen, trennen Sie immer zunächst die Stromversorgung.</b>
	<b>Für den Fall, dass die Höhenverstellung nicht ordnungsgemäß funktioniert, stellen Sie die Verwendung des Tischgestells sofort ein und trennen Sie die Stromversorgung. Setzen Sie sich für weitere Schritte mit dem Kundendienst in Verbindung.</b>



#### Reset-Modus

Beim erstmaligen Anschluss des Netzteils an die Stromzufuhr, ist die Höhenverstellfunktion nur im Reset-Modus zu betätigen.

Während des Reset-Modus kann das Gestell nur abwärts gefahren werden. Um diesen Vorgang abzuschließen und das Gestell normal bedienen zu können befolgen Sie bitte folgende Schritte:

- Bei Betätigung der AB-Taste bewegt sich das Tischgestell langsam nach unten.
- Das Tischgestell muss in die unterste Position gefahren werden. Diese Position dient dann als Referenzpunkt (Nullpunkt).
- Halten Sie die Taste bei Erreichen der untersten Positionen einen Augenblick lang gedrückt. Dies beendet den Reset-Modus
- Das Gestell lässt sich jetzt normal betätigen und durch drücken der Auf- bzw. Ab-Taste in die gewünschte Position fahren. Das Gestell stoppt sobald die Tasten losgelassen werden.

## Funktionen des Memory Masters (Optionaler)



### AUF/ AB

Drücken und halten Sie diese Tasten um das Gestell in eine gewünschte Position zu bringen. Lassen Sie die Taste los, stoppt das Gestell automatisch.

### Einstellung einer bevorzugten Höhenposition

Fahren Sie das Gestell in eine gewünschte Position. Drücken Sie die Speichern Taste. Auf der Anzeige erscheint dann:



Drücken Sie unmittelbar darauf eine der Memory Tasten. Die Zahl dieser Taste erscheint dann anstelle des „-“, zwei Sekunden später. Das Netzteil bestätigt die Einstellung mit einem hörbaren doppelklick.

### Memory Tasten

Drücken und halten Sie diese Tasten um das Gestell in eine bevorzugte Position zu bringen. Lassen Sie die Taste los, stoppt das Gestell automatisch. Erreicht das Gestell die bevorzugte Position wird es langsamer und stoppt kurz darauf.

### Änderung der Höhenanzeige im Display

Diese Funktion ändert lediglich die angezeigte, nicht die tatsächliche Höhe. Drücken Sie SAVE. Sobald im Display folgendes erscheint:



drücken und halten Sie AB bis die angezeigte Höhe blinkend angezeigt wird. Mit Hilfe von AUF und AB können Sie den Wert jetzt ändern. Sie Beenden den Prozess in dem Sie SAVE drücken.

### Reset-Modus

Beim erstmaligen Anschluss des Netzteils an die Stromzufuhr, ist die Höhenverstellfunktion nur im Reset-Modus zu betätigen.

Während des Reset-Modus kann das Gestell nur abwärts gefahren werden. Um diesen Vorgang abzuschließen und das Gestell normal bedienen zu können befolgen Sie bitte folgende Schritte:

- Bei Betätigung der AB-Taste bewegt sich das Tischgestell langsam nach unten.
- Das Tischgestell muss in die unterste Position gefahren werden. Diese Position dient dann als Referenzpunkt (Nullpunkt).
- Halten Sie die Taste bei Erreichen der untersten Positionen einen Augenblick lang gedrückt. Dies beendet den Reset-Modus
- Das Gestell lässt sich jetzt normal betätigen und durch drücken der Auf- bzw. Ab-Taste in die gewünschte Position fahren. Das Gestell stoppt sobald die Tasten losgelassen werden.

### Systemneustart — erzwingen des Reset-Modus

Um den Neustart zu erzwingen ist es erforderlich, dass das Gestell in unterster Position ist.

- Halten Sie die Runter-Tasten (ca. 10 Sekunden) gedrückt, bis ein Klick zu hören ist.
- Fahren Sie gemäß den obigen Anweisungen zum „Reset-Modus“ fort.

## 4 Ergonomische Sitzeinstellung



### Richtige Sitzhaltung

Falsches Sitzen kann zu Gelenk- und Sehnenschäden sowie Muskelschmerzen führen. Um dies zu vermeiden, müssen der Bürostuhl und der Schreibtisch richtig eingestellt werden.

Zusätzlich zu den folgenden Empfehlungen sollten Sie unbequeme Sitzhaltungen stets vermeiden. Wenn Sie das Gefühl haben, dass die folgenden Empfehlungen bei Ihnen zu einer unangenehmen Sitzhaltung führen, passen Sie diese einfach an Ihre Bedürfnisse an.

### Bürostuhl

- Die Sitzhöhe muss so eingestellt werden, dass Ihre Knie in einem Winkel von 90–120° stehen, wenn Ihr Fuß flach auf dem Boden aufliegt.
- Für eine richtige Sitzhaltung muss Ihr unterer Rücken an der Rückenlehne anliegen. Stellen Sie die Sitztiefe ggf. so ein, dass die Sitzschale keinen Druck auf Ihre Unterschenkel ausübt.
- Sitzen Sie aufrecht, lehnen Sie sich jedoch in einer bequemen Position etwas zurück. Stellen Sie die Lendenstütze des Stuhls ggf. auf Ihre Körpergröße ein. Stellen Sie die Rückenlehne so ein, dass sie Ihren Oberkörper etwas nach vorne drückt, Ihnen aber noch genug Freiraum für Bewegungen lässt.
- Stellen Sie ggf. die Höhe der Armlehnen ein. Ihre Schultern sollten sich in einer entspannten Stellung befinden, wenn Ihre Arme die Armlehnen berühren.

### Schreibtisch

- Stellen Sie die Tischhöhe erst ein, wenn Sie die richtige Sitzhaltung gefunden haben.
- Ihre Ellbogen sollten einen Winkel von 90–120° aufweisen, wenn Ihre Arme auf der Tischplatte aufliegen. Die Kante der Tischplatte sollte nicht gegen Ihre Arme drücken.

### Geräte auf dem Schreibtisch

- Einfallendes Licht (Tageslicht oder Lampen) sollte Ihren Monitor in einem 90°-Winkel treffen.
- Stellen Sie die Monitorhöhe so ein, dass Sie etwas nach unten blicken müssen, um die Mitte des Bildschirms anzusehen.
- Halten Sie einen Abstand von 60–70 cm zum Bildschirm.
- Eine flache, schmale Tastatur hilft dabei, Ihre Handgelenke zu schonen.
- **Bitte beachten Sie die Empfehlungen in den Anleitungen Ihrer weiteren (ergonomischen) Ausrüstung.**

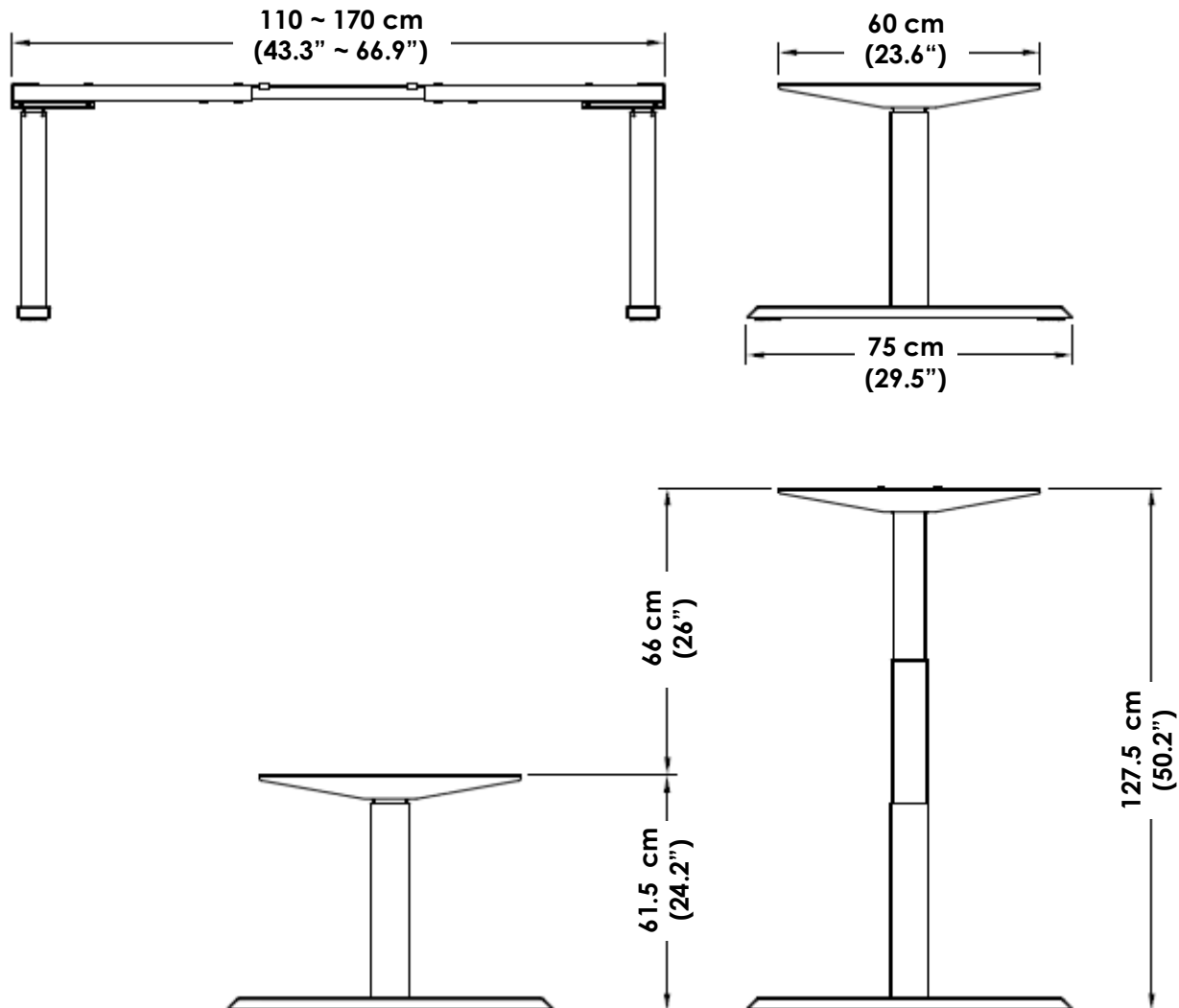
## 5 Technische Daten

Version der Montageanleitung	SLS-IM0015-1EN-DE-NL
Veröffentlichungsjahr der Anleitung	January 2018
Ursprungsland	Malaysia
System	2-stufige
Material	Stahl, Kunststoff und Aluminium
Hub (max.) (1) EN527 (2) BIFMA	(1) 660mm (26") (2) 662mm (26")
Gestellbelastung (max.) I. SMART-e-2 II. COMPACT-e-2	I. 80 kg II. 100kg
Gestellgewicht I. Steelforce SLS 270 EN527 II. Steelforce SLS 470 BIFMA III. Steelforce SLS 470 EN527 IV. Steelforce SLS 670 BIFMA V. Steelforce SLS 670 EN527	I. ± 36 kg II. ± 30 kg III. ± 30 kg IV. ± 30 kg V. ± 30 kg
Eingangsleistung I. SMART-e-2-actiforce-EU II. SMART-e-2-actiforce-US III. COMPACT-e-2L-actiforce-EU IV. COMPACT-e-2L-actiforce-US	I. 220-240Vac, 50-60Hz, 2.5A II. 120Vac, 60Hz, 5A III. 220-240Vac, 50-60Hz, 5A IV. 120Vac, 60Hz, 10A
Geschwindigkeit mit Last	± 39 mm/s
Nutzungszyklus	10 % (2 Minuten an/18 Minuten aus)
Geräuschpegel	< 55 dB(A)
Umgebungstemperatur Betrieb	15 - 30°C
Umgebungstemperatur Lagerung	10 - 50°C
Luftfeuchtigkeit Betrieb	<85%
Luftfeuchtigkeit Lagerung	<50%
Maximale Lagerzeit	-
Gebrauch nur in Innenräumen!!!	

## 5 Technical Daten

(\* Allg. Toleranz =  $\pm 1$  cm)

### EN527

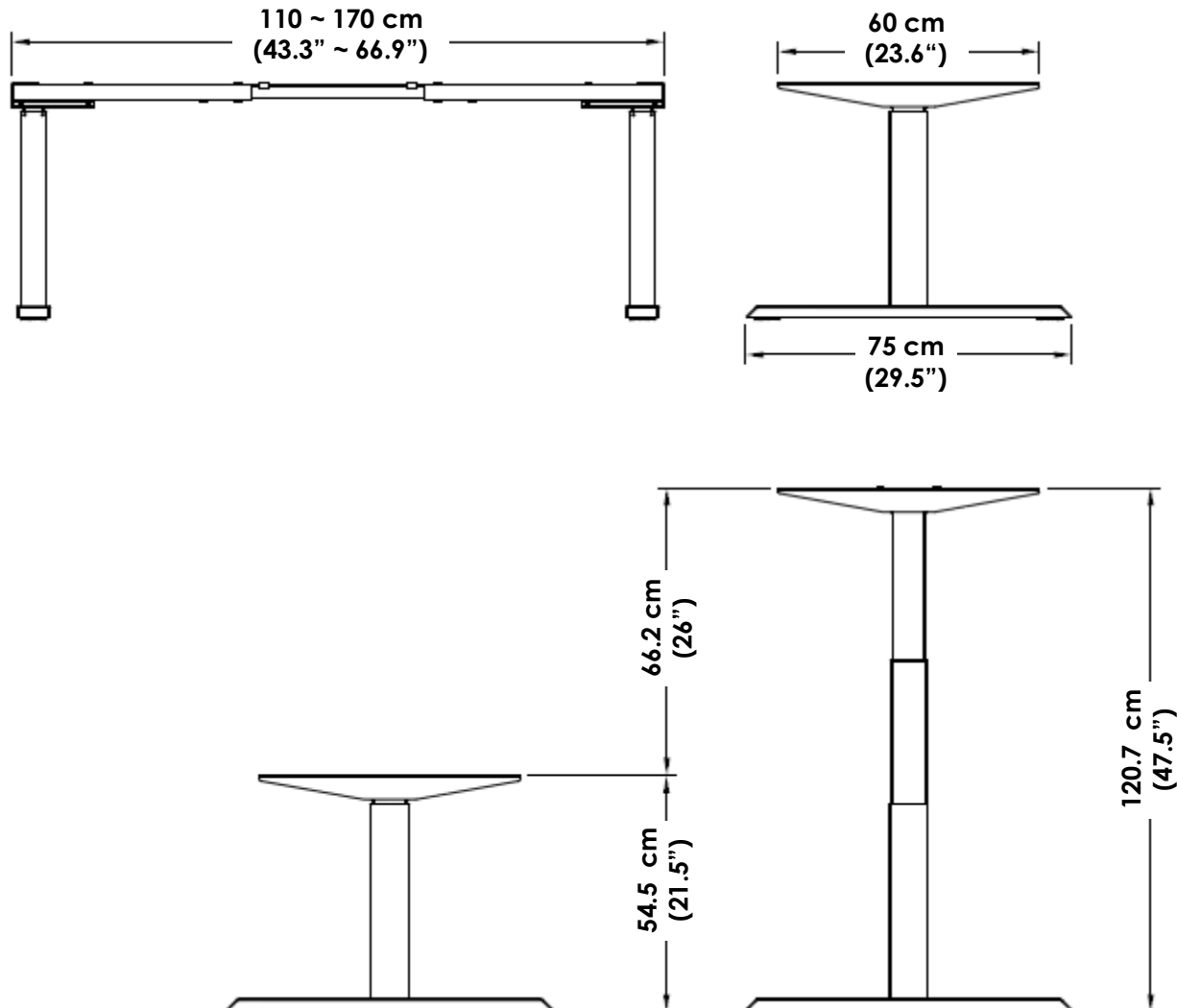


Minimale Gestellhöhe	61.5cm (24.2")
Maximale Gestellhöhe	127.5cm (50.2")
Maximaler Hub	66cm (26")
Gestellbreite	110-170cm (43.3"-66.9")
Gestelltiefe	75cm (29.5")
Minimale Tischplattentiefe	60cm (23.6")

## 5 Technical Daten


(\* Allg. Toleranz = ± 1 cm)

### BIFMA




Minimale Gestellhöhe	54.5cm (21.5")
Maximale Gestellhöhe	120.7cm (47.5")
Maximaler Hub	66.2cm (26")
Gestellbreite	110-170cm (43.3"-66.9")
Gestelltiefe	75cm (29.5")
Minimale Tischplattentiefe	60cm (23.6")

## 6 Betriebshinweise

	<p>Beachten Sie die Bestimmungen im Abschnitt 2 Sicherheitshinweise auf Seite 5, insbesondere:</p> <p>Lassen Sie keine Kinder unbeaufsichtigt mit dem Tischgestell. Kinder können die von diesem Tischgestell ausgehenden Gefahren nicht einschätzen. Kinder können sich erheblich verletzen, bis hin zur Todesfolge. Weitere Vorkehrungen als Schutzmaßnahme gegen die Benutzung durch Kinder sind nicht erforderlich.</p> <p>Überschreiten Sie nicht die maximale zeitliche Verzögerung des Gestells. Stellen Sie sicher, dass ausreichend Platz vorhanden ist, um Zusammenstöße zu vermeiden. Dies gilt insbesondere dann, wenn sich Gegenstände auf der Arbeitsfläche befinden, etwa Computer, Arbeitsmaterial etc.</p>
---	---

### 6.1 Fehlfunktionen

	<p>Entfernen Sie sich umgehend aus der unmittelbaren Umgebung des Gestells, wenn dieses sich ohne Bedienung bewegen sollte. Versuchen Sie auf keinen Fall, das Tischgestell zu verwenden.</p> <p>Nehmen Sie das Tischgestell sofort außer Betrieb, wenn ungewöhnliche Vorkommnisse (Geräusche, Qualm, Rauch, usw.) am Tischgestell entstehen sollten.</p> <p>Lassen Sie das Tischgestell durch einen Fachbetrieb reparieren. Nehmen Sie das Tischgestell erst wieder nach erfolgter Reparatur in Betrieb.</p> <p>Stellen Sie die Verwendung des Tischgestells umgehend ein, wenn die Sicherheitsvorrichtungen nicht mehr ordnungsgemäß arbeiten.</p>
---	--

## 7 Fehlerbehebung

Problem	Mögliche Ursache	Lösung
Gestell bewegt sich nicht.	Kabel oder Anschlüsse schadhaft.	Alle Anschlüsse prüfen. Stromzufuhr einwandfrei?
Gestell bewegt sich nicht.	Wenn die Anschlüsse kontrolliert wurden, kann das Bedienteil schadhaft sein.	Bedienteil austauschen.
Gestell bewegt sich nicht.	Fehler im Netzteil.	Neustart des Systems durchführen.

**Sollte Ihr Problem nicht in der obigen Liste behandelt sein, setzen Sie sich bitte mit dem Kundendienst in Verbindung.**

## 8 Kundendienst

Bei Inanspruchnahme des Kundendienstes bitte stets den Tischgestelltyp angeben.

Händler :

## 9 Hersteller

### **Actiforce International B.V.**

Het Steenland 20  
3751 LA Bunschoten-Spakenburg  
The Netherlands

+31 (0)33 4600120  
[www.actiforce.com](http://www.actiforce.com)  
[info.holland@actiforce.com](mailto:info.holland@actiforce.com)

## 10 Entsorgung

### **10.1 Außerbetriebnahme des Tischgestells**

- Ziehen Sie den Netzstecker aus der Steckdose.

### **10.2 Tischgestell abbauen und ggf. zerlegen**

- Zwecks Abbau und Zerlegung des Tischgestell setzen Sie sich ggf. mit dem Kundendienst Ihres Fachhändlers in Verbindung.

### **10.3 Entsorgung**

- Demontieren Sie das Tischgestell nach Werkstoffen getrennt und entsorgen Sie diese umweltgerecht. Bitte nationale Vorschriften beachten!



## 1.1 Het belang van de montage- en bedieningshandleiding

Kennis van de fundamentele veiligheidsinstructies en -voorschriften is de basisvoorwaarde voor een veilige omgang met en een storingsvrije werking van dit frame. Deze montage- en bedieningshandleiding bevat de belangrijkste informatie die nodig is voor een veilige montage en bediening van het frame. Deze montage- en bedieningshandleiding, met name de hierin opgenomen veiligheidsinstructies, moet in acht genomen worden door iedereen die het frame opbouwt en werkzaamheden verricht aan de ge-monteerde werkplek. Bovendien moeten de regels en voorschriften, met betrekking tot het voorkomen van ongevallen op de locatie waar het frame moet worden gebruikt, te allen tijde worden nageleefd.

## 1.2 Beoogd gebruik

Het frame mag uitsluitend worden gebruikt als een in hoogte verstelbare zit/sta werkplek op kantoor of in andere afgesloten ruimtes. Het frame is dus slechts voor dit gebruiksdoel bestemd. Het frame mag alleen in een bedrijfsomgeving worden opgesteld en in gebruik genomen. Gebruik het frame niet thuis. Neem de bepalingen van hoofdstuk 2, Veiligheidsinstructies, in acht. Kinderen die niet onder toezicht staan, zijn zich mogelijk niet bewust van de gevaren die uitgaan van het frame. Elk gebruik dat afwijkt van bovengenoemd gebruik wordt beschouwd als onjuist. De fabrikant kan op geen enkele wijze aansprakelijk worden gehouden voor schade die voortvloeit uit onjuist gebruik.

Onder beoogd gebruik valt tevens:

- Inachtneming van alle informatie uit de montage- en bedieningshandleiding
- Het verbod op iedere aanbouw aan en verbouw van het frame.

## 1.3 Onjuist gebruik

- Gebruik het frame nooit om personen of lasten te heffen.
- Zorg dat de maximale belasting van het frame niet overschreden wordt (zie hoofdstuk 4, Technische Specificaties).
- Gebruik het frame niet thuis, maar gebruik het frame uitsluitend in een bedrijfsmatige omgeving.

## 1.4 Aardingsinstructie

Dit werkstationframe moet worden geaard. Het frame mag alleen worden aangesloten op een stopcontact dat op de juiste manier is geaard. Bij een storing of defect verkleint de aarding het risico van een elektrische schok doordat de elektrische stroom via een pad met de laagste weerstand wordt afgevoerd. Dit werkstationframe is voorzien van een netsnoer met een aardgeleider en een aardstekker. De stekker moet in een geschikt stopcontact worden gestoken dat geïnstalleerd en geaard is volgens alle plaatselijke wet- en regelgeving.



De aarding biedt alleen bescherming wanneer de terminal wordt aangesloten op de potentiaalvereffening van het gebouw waarin het werkstationframe wordt geplaatst. Terminals voor de aansluiting van externe potentiaalvereffeningsgeleiders zijn geschikt voor de aansluiting van geleiders met een nominaal dwarsdoorsnedeoppervlak van 2,5 mm<sup>2</sup> tot 6 mm<sup>2</sup>.

## 1.5 Gevaar

Een verkeerde aansluiting van de aardgeleider van het werkstationframe kan een elektrische schok veroorzaken. Raadpleeg een erkende elektricien als u twijfelt of het product op de juiste manier is geaard. Breng geen veranderingen aan de bij het product geleverde stekker aan.

Als de voedingskabel beschadigd is, moet deze worden vervangen door een speciale kabel of set die verkrijgbaar is bij de fabrikant of diens servicevertegenwoordiger.

**WAARSCHUWING: Wijzigingen of aanpassingen die niet uitdrukkelijk door de fabrikant zijn goedgekeurd, kunnen ertoe leiden dat het recht van de gebruiker om de apparatuur te gebruiken vervalt.**

# 1.6 Inhoud verpakking



Monteer het frame met twee personen.

## Onderdelen



## Montage onderdelen set



## Inbussleutel



\*\* Transformator 11 (a) :

- I. SMART-e-2-actiforce-EU : Input: 220-240Vac, 50-60Hz, 2.5A; Output: 216VA / 24V
- II. SMART-e-2-actiforce-US : Input: 120Vac, 60Hz, 5A; Output: 216VA / 24V

\*\* Transformator 11 (b) :



- I. COMPACT-e-2L-actiforce-EU : Input: 220-240Vac, 50-60Hz, 5A; Output: 288VA / 24V
- II. COMPACT-e-2L-actiforce-US : Input: 120Vac, 60Hz, 10A; Output: 288VA / 24V

Tafel : 24VDC, 4A

## 2 Veiligheidsinstructies

### 2.1 Verklaring van symbolen en instructies



In deze handleiding worden de volgende aanduidingen en symbolen voor gevaren gebruikt:

	Dit symbool betekent een rechtstreeks dreigend gevaar voor leven en gezondheid van personen. Het niet in acht nemen van deze instructies kan ernstige schade aan de gezondheid toebrengen en zelfs levensgevaarlijk lichamelijk letsel of de dood tot gevolg hebben.
	Dit symbool verwijst naar een belangrijke instructie. Het niet in acht nemen ervan kan tot schade aan de tafel leiden.

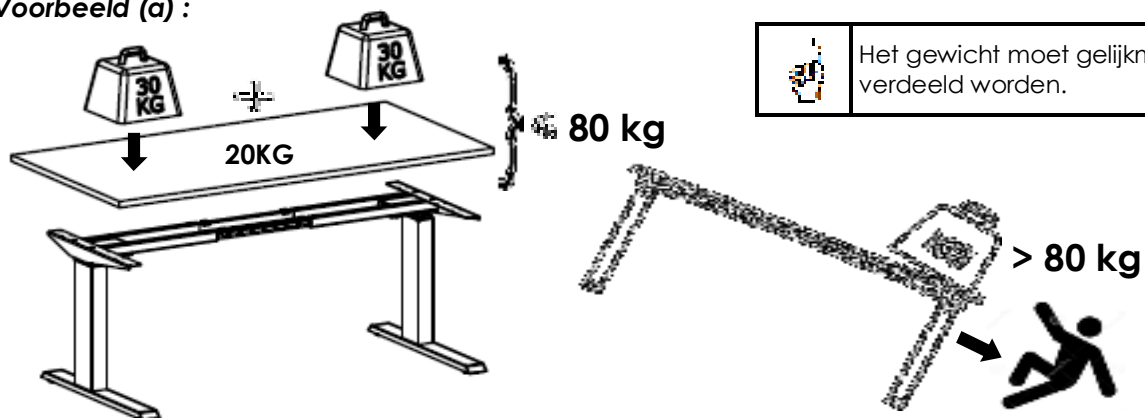
### 2.2 Gebruikte symbolen op het frame

	Leg geen voorwerpen of lichaamsdelen onder het frame of tussen de onderdelen van de crossbar. Er bestaat risico op ernstig lichamelijk letsel.
---	--

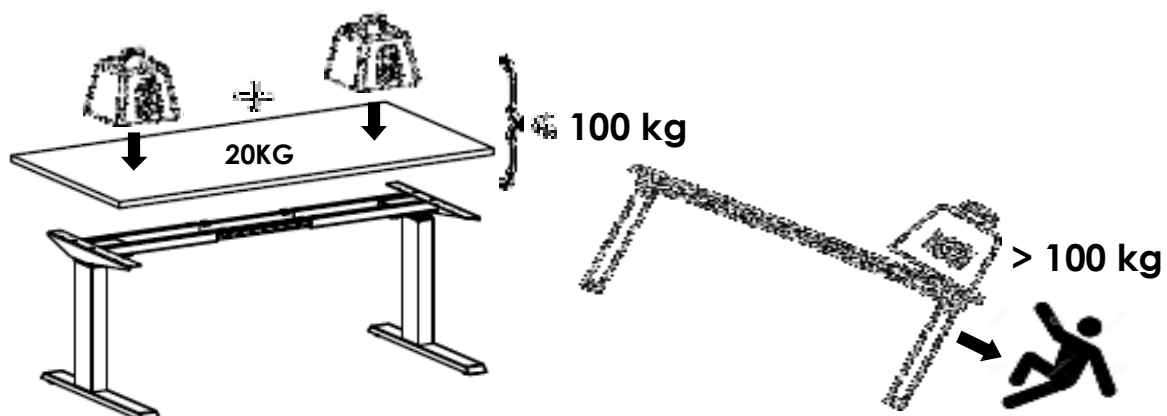
### 2.3 Maximaal toegestaan gewicht op het frame

		De maximale toegestane belasting van niet overschrijden (a) 80 kg inclusief tafelblad (Smart-e-2) (b) 100 kg inclusief tafelblad (Compact-e-2) op het frame. Vermijd onevenwichtige belasting, verdeel het gewicht gelijkmatig anders kan overbelasting optreden. Overbelasting van een frame kan schade veroorzaken en personen in de nabije omgeving kunnen als gevolg hiervan ernstige verwondingen oplopen.
--	--	--

Voorbeeld (a) :



Voorbeeld (b) :



## 2.4 Maximaal toegestaan gewicht per kolom



De maximale toegestane belasting van 50 kg (inclusief tafelblad) op een kolom niet overschrijden. Overbelasting van een frame kan schade veroorzaken en personen in de nabije omgeving kunnen als gevolg hiervan ernstige verwondingen oplopen.



## 2.5 Organisatorische maatregelen

- Monteer het frame bij voorkeur met twee personen. Vooral het draaien van het frame met het gemonteerde werkblad moet door twee personen geschieden!

## 2.6 Informele veiligheidsmaatregelen

- Bewaar de montage- en bedieningshandleiding altijd op de plaats waar het frame wordt gebruikt.
- Zorg ervoor dat alle veiligheids- en risico-instructies op het frame leesbaar blijven en vervang deze eventueel.

## 2.7 Vereisten aan de monteurs

- Alleen personen ouder dan 16 jaar mogen het frame opbouwen en eraan werken.
- De hierboven genoemde personen moeten de montage- en bedieningshandleiding hebben gelezen en begrepen.

## 2.8 Transport en montage

- Verplaats het frame uitsluitend met twee personen en in ingeschoven toestand.
- Sleep of duw het frame niet over de vloer.
- Monteer het frame uitsluitend met behulp van het meegeleverde gereedschap. Alleen dan is gegarandeerd dat de schroeven perfect worden aangedraaid.

## 2.9 Gebruik van het frame

- Laat kinderen niet zonder toezicht het frame gebruiken. Kinderen zijn niet in staat om de gevaren van het frame in te schatten. Ze lopen hierdoor groot risico op ernstig letsel, mogelijk zelfs met fatale gevolgen. Zorg er in ieder geval voor dat het frame niet verder versteld kan worden indien het toch door kinderen wordt gebruikt.
- Gebruik het frame uitsluitend in een hiervoor geschikte omgeving.
- Gebruik het frame niet op een oneffen ondergrond. Het frame staat dan niet stevig en er bestaat gevaar voor kantelen.
- Zorg ervoor dat de maximale belasting van het frame nooit overschreden wordt.

## 2.10 Specifieke gevaren

- Bij het afstellen van de hoogte van het frame is er kans op letsel. Zorg ervoor dat zich niemand anders in de directe omgeving van het frame bevindt.
- Zorg bij het monteren van het frame voor voldoende ruimte om botsingen in alle mogelijke richtingen te voorkomen (bijv. schuin dak, vaste voorwerpen, archiefkasten, prullenbakken etc.).
- Zorg voor voldoende ruimte om botsingen te voorkomen indien zich voorwerpen, zoals computers of randapparatuur, op het werkblad bevinden.
- Zorg voor een vrije ruimte van tenminste 25 mm tot alle andere meubels rondom het frame.

### 2.11 Instructies voor noodgevallen

- Stel het frame onmiddellijk buiten bedrijf wanneer er zich iets ongebruikelijks bij het frame voordoet (vreemde geluiden etc.).
- Laat het frame door een gespecialiseerd bedrijf repareren. Neem het frame pas weer in gebruik nadat het gerepareerd is.

### 2.12 Onderhoud en instandhouding

- Het frame en de onderdelen ervan zijn onderhoudsarm en vereisen geen speciaal regelmatig onderhoud.
- Voer zelf geen reparaties uit aan de tafel of de onderdelen.
- Wijzig niets aan de constructie van de tafel of het frame.
- Vervang defecte onderdelen uitsluitend door nieuwe originele onderdelen van de fabrikant. Gebruik alleen originele vervangingsonderdelen vervaardigd door de fabrikant. Laat het vervangen van defecte onderdelen over aan een gespecialiseerd bedrijf. Deze montage- en bedieningshandleiding moet hierbij in acht genomen worden.

### 2.13 Reiniging

- Verwijder eenmaal per week het stof van het frame met een droge doek.
- Maak het frame om de twee weken schoon met een vochtige doek en een niet agressief schoonmaakmiddel.

### 2.14 Overige risico's

Dit frame is gebouwd volgens de laatste stand van de techniek en de erkende veiligheidstechnische normen. Desondanks kunnen er bij gebruik ervan gevaar voor gezondheid en veiligheid van de gebruiker of derden, respectievelijk schades aan het frame of aan andere voorwerpen van waarde ontstaan. Het frame mag uitsluitend worden gebruikt:

- Overeenkomstig het beoogde doel.
- In veiligheidstechnische perfecte toestand.

## 3 Montage



Let vóór iedere montage op de veiligheidsinstructies van hoofdstuk 2.



Het is aan te bevelen om een onderlaag te gebruiken om de componenten en de vloer voor krassen te beschermen. U kunt hiervoor bijvoorbeeld de meegeleverde kartonnen doos gebruiken door deze uit te vouwen.

### 3.1 Voormontage van de crossbar

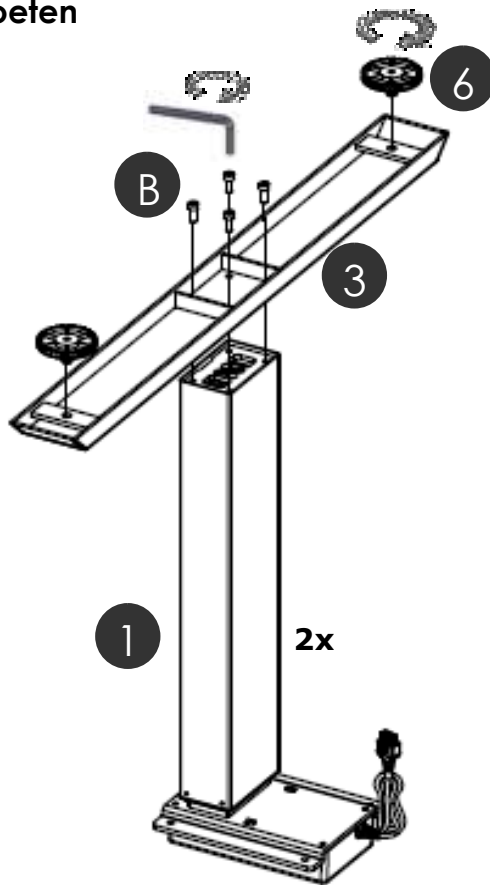
#### 3.1.1 Aanbevolen bladmaat

Frame-breedte	Werkblad breedte	Werkblad diepte	werkblad dikte
110 cm	120 cm	80 cm	2.5 cm
130 cm	140 cm	80 cm	2.5 cm
150 cm	160 cm	80 cm	2.5 cm
170 cm	180 cm	80 cm	2.5 cm



Draai de schroeven nog niet helemaal vast!

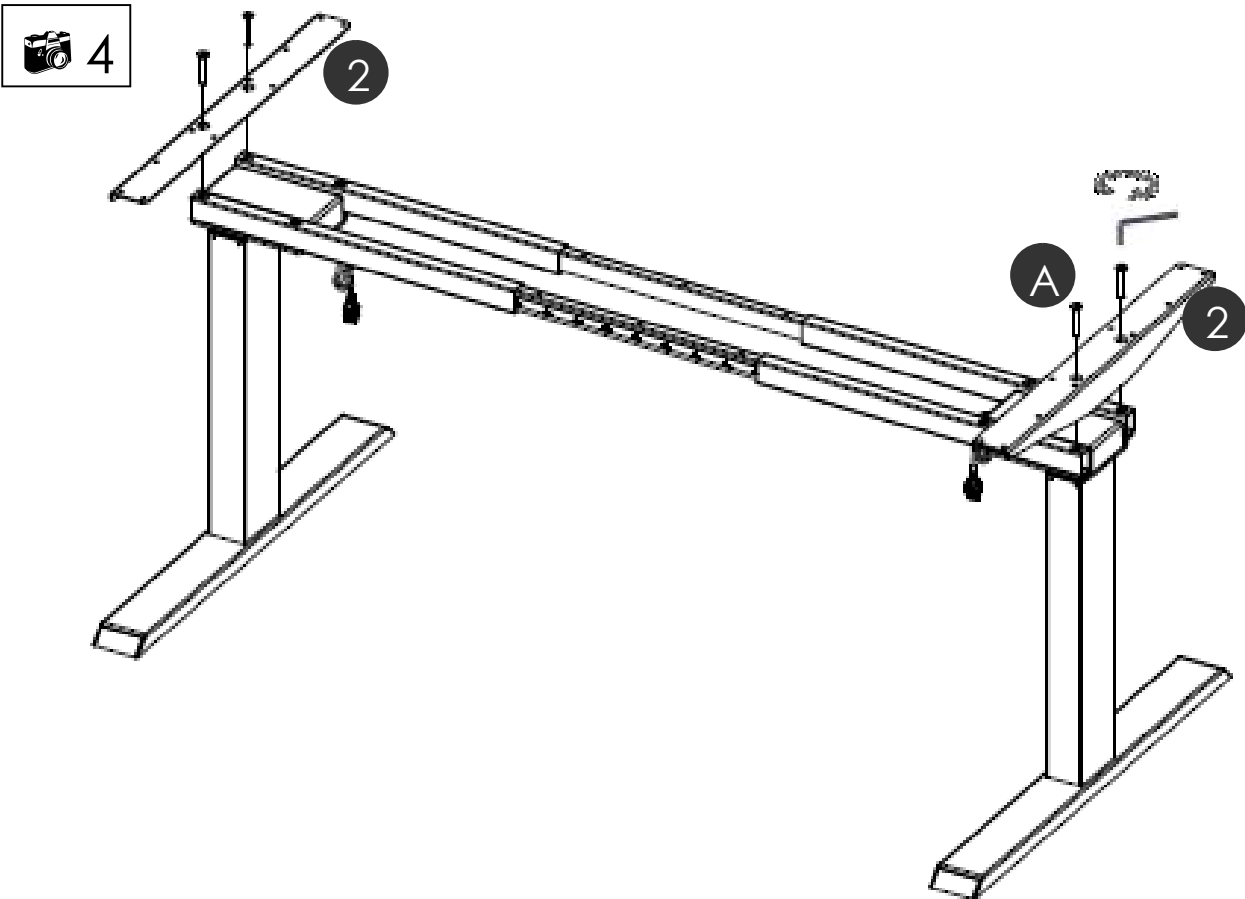
### 3.2 Montage van de voeten



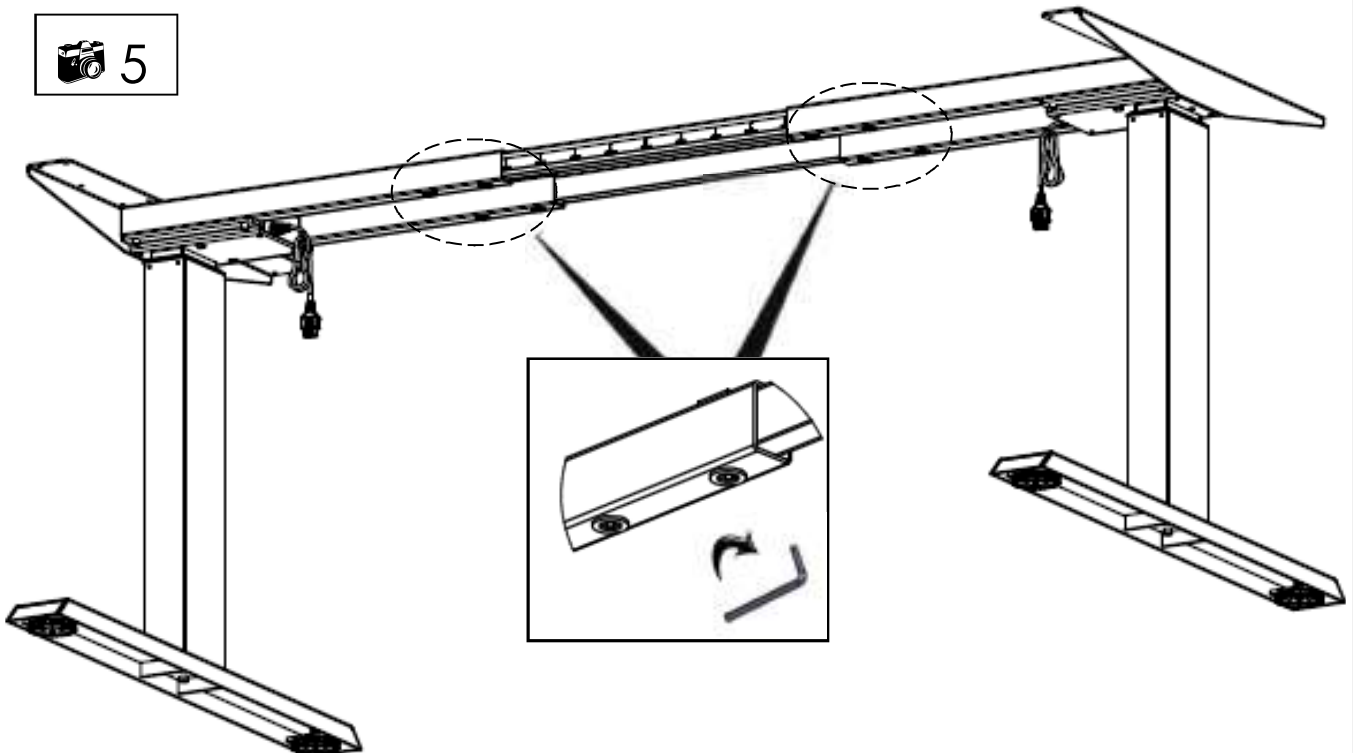
### 3.3 Montage van de crossbar



### 3.4 Montage van de bladdragers



### 3.5 Instellen van de frame-breedte

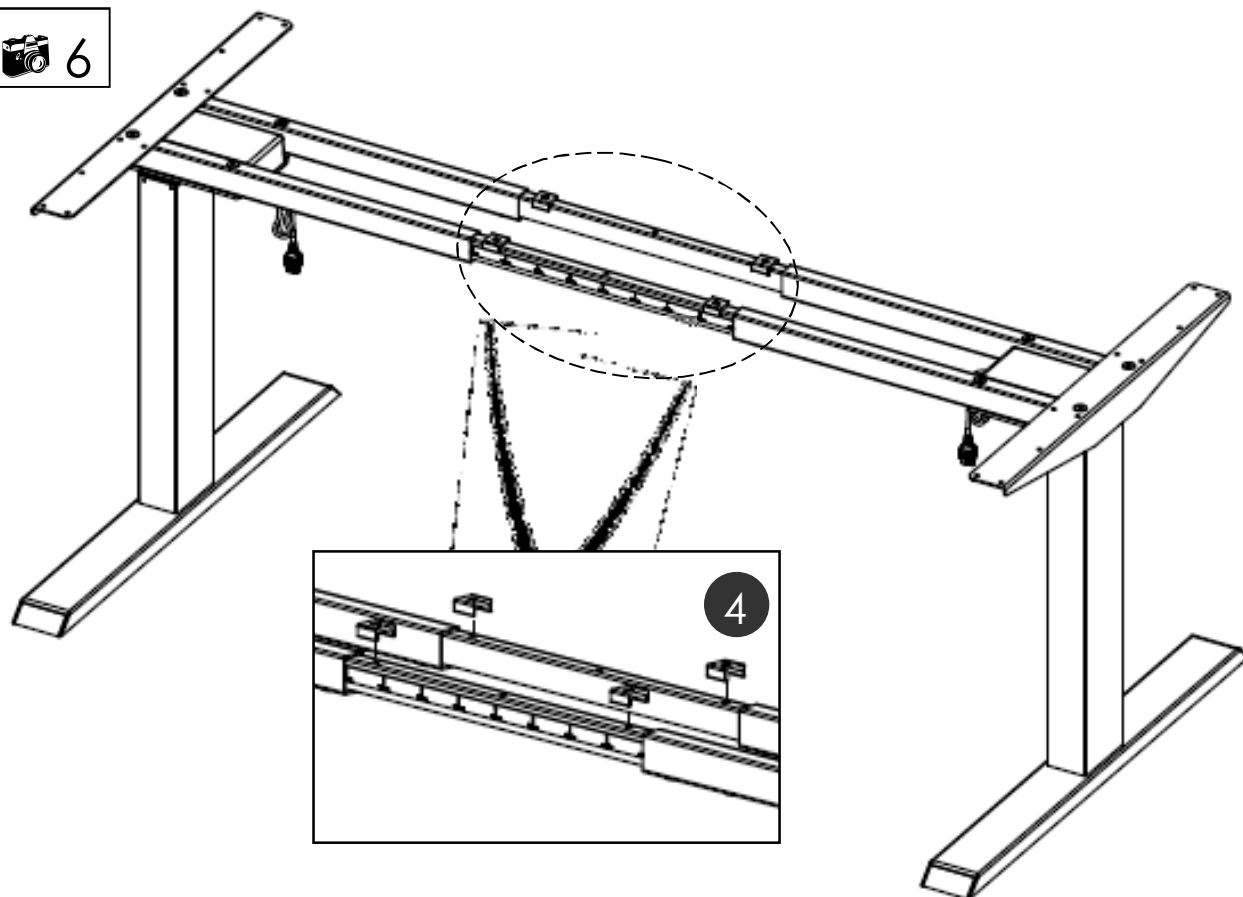


Schuif het frame uit tot de gewenste breedte.  
Draai de stelschroeven met behulp van de inbusleutel M3 vast op de crossbar.



### 3.6 Montage van de afstandhouders

 6

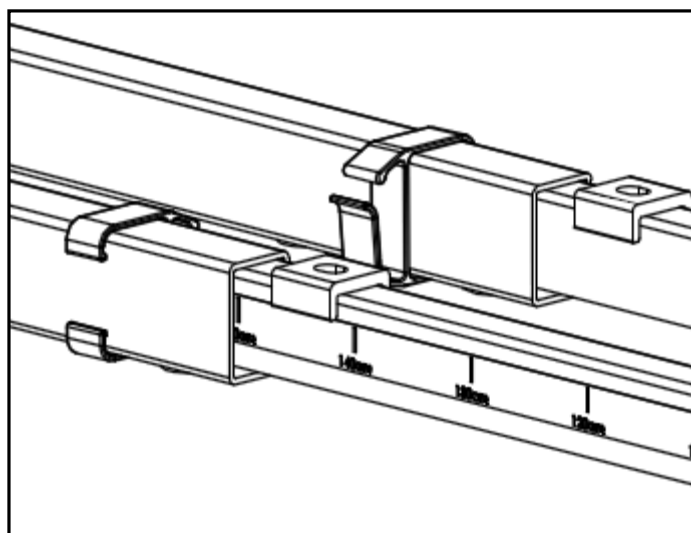
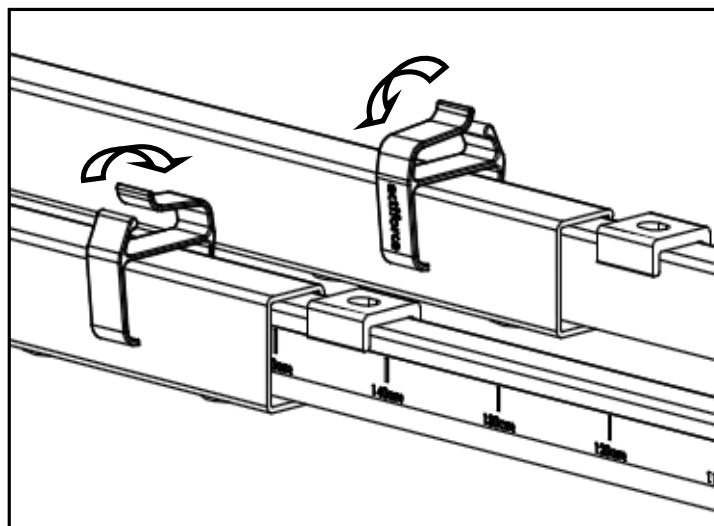
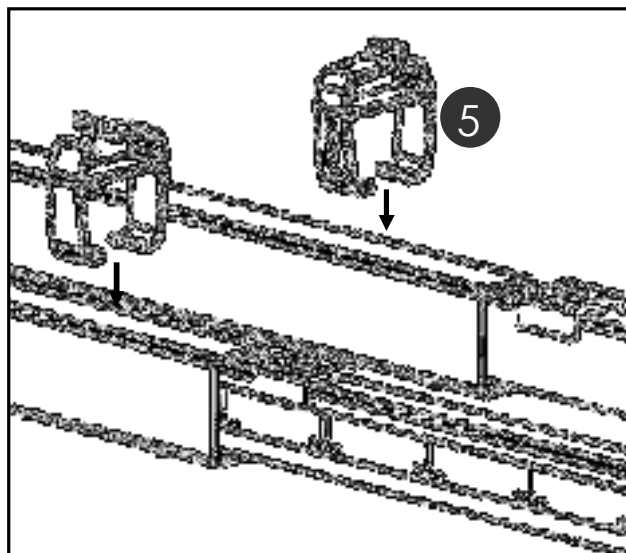


### 3.7 Montage van de kabelbinders

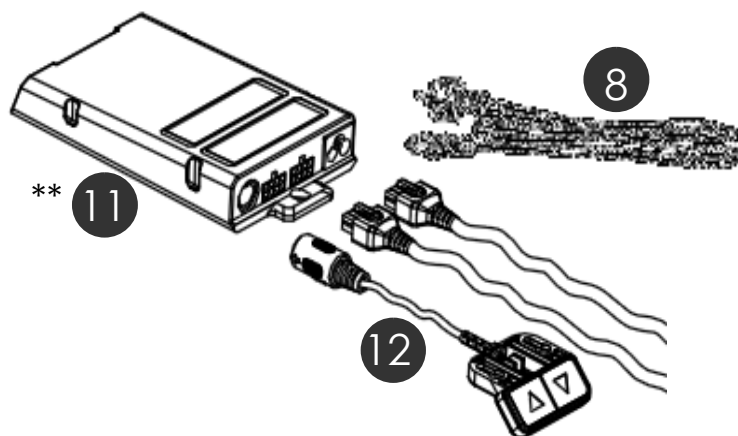
 7



8



### 3.8 Aansluiten van de elektrische componenten

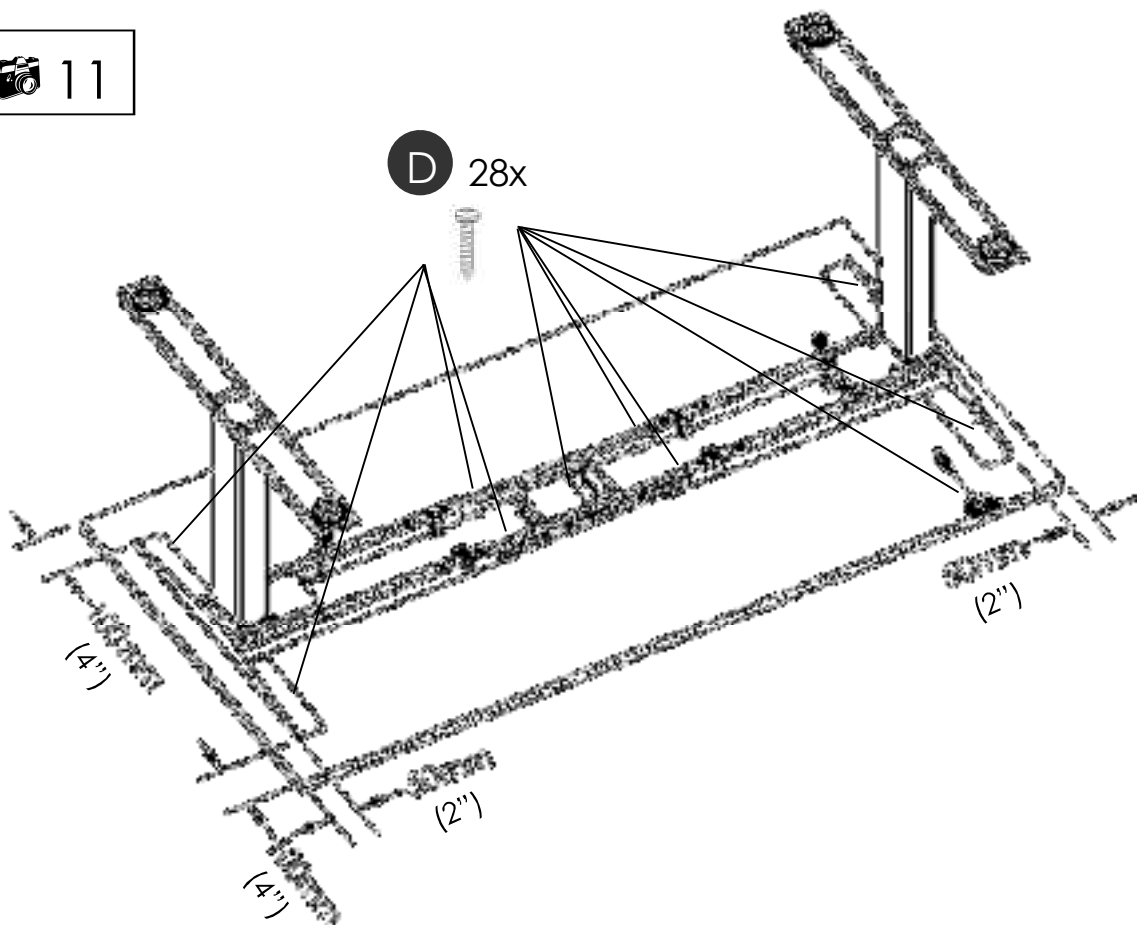


#### OPTIONEEL

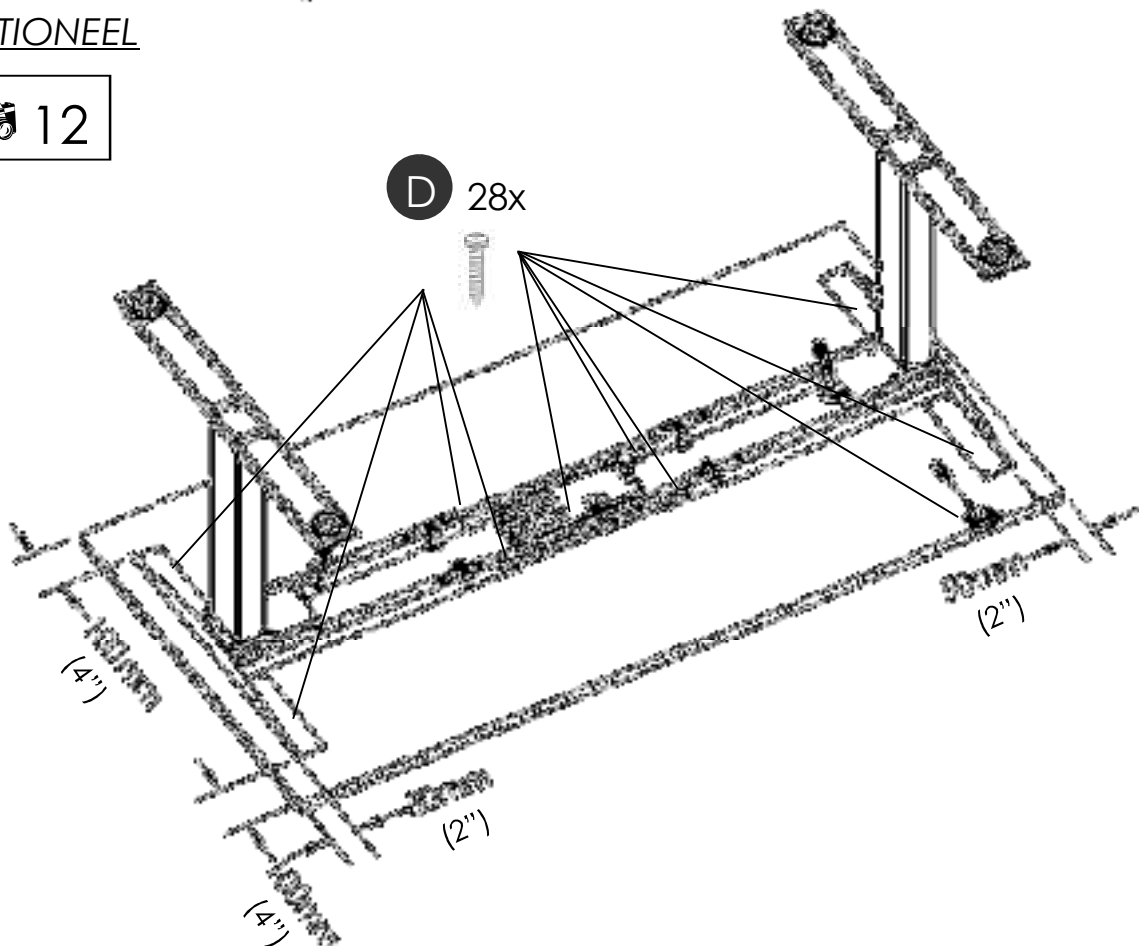


Het is essentieel dat uw frame in hoogte verstelbaar is. De kabels van de elektrische componenten mogen tijdens een hoogteverstelling niet belemmerd worden. Let er hierbij op dat de maximale hoogteverstelling altijd mogelijk moet zijn!

3.9 Montage van het werkblad  
3.10 Montage van de handbediening




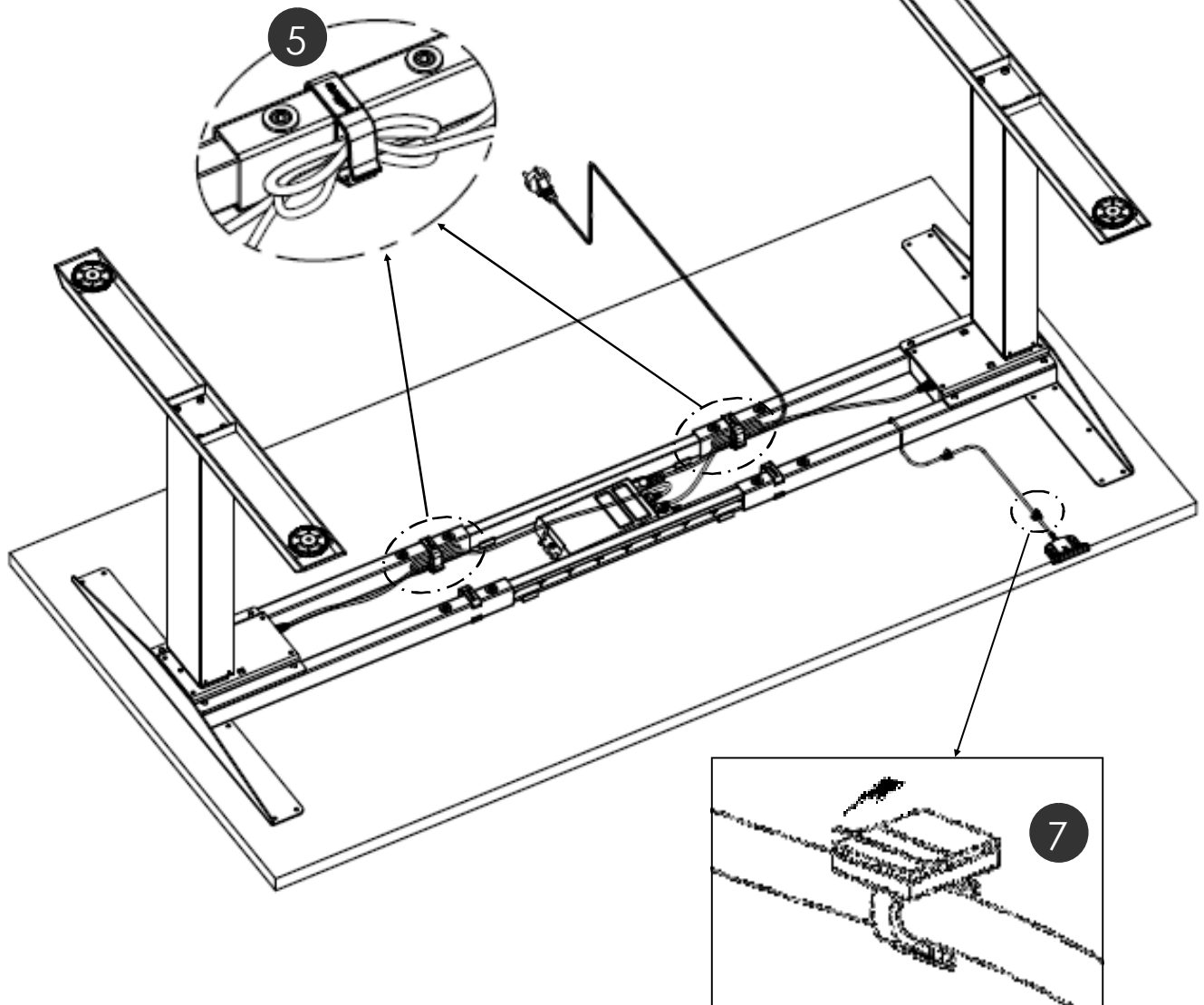
OPTIONEEL



### 3.11 Montage van de kabelclips


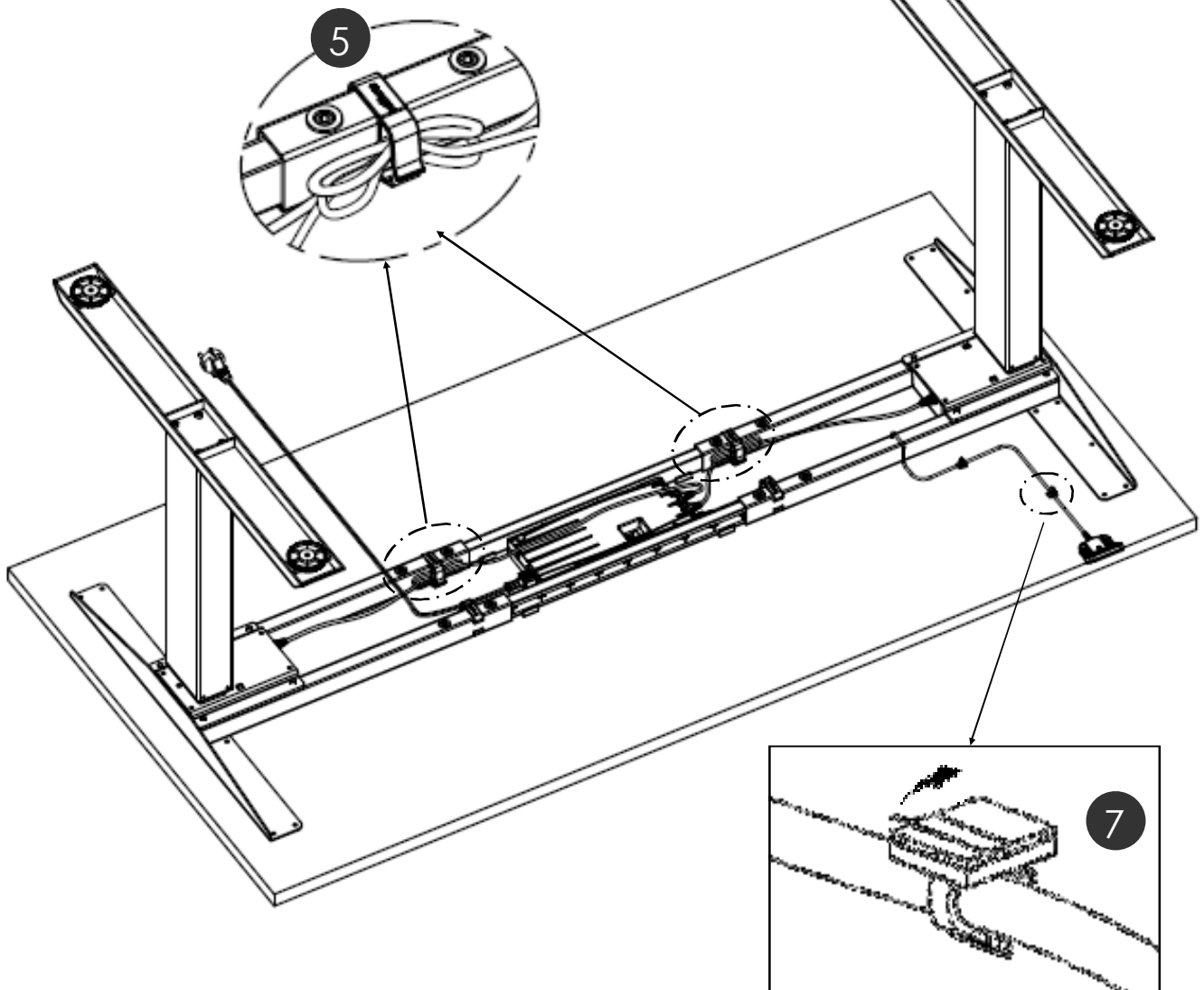
 13

 Bind de losse kabels samen met de kabelbinders.

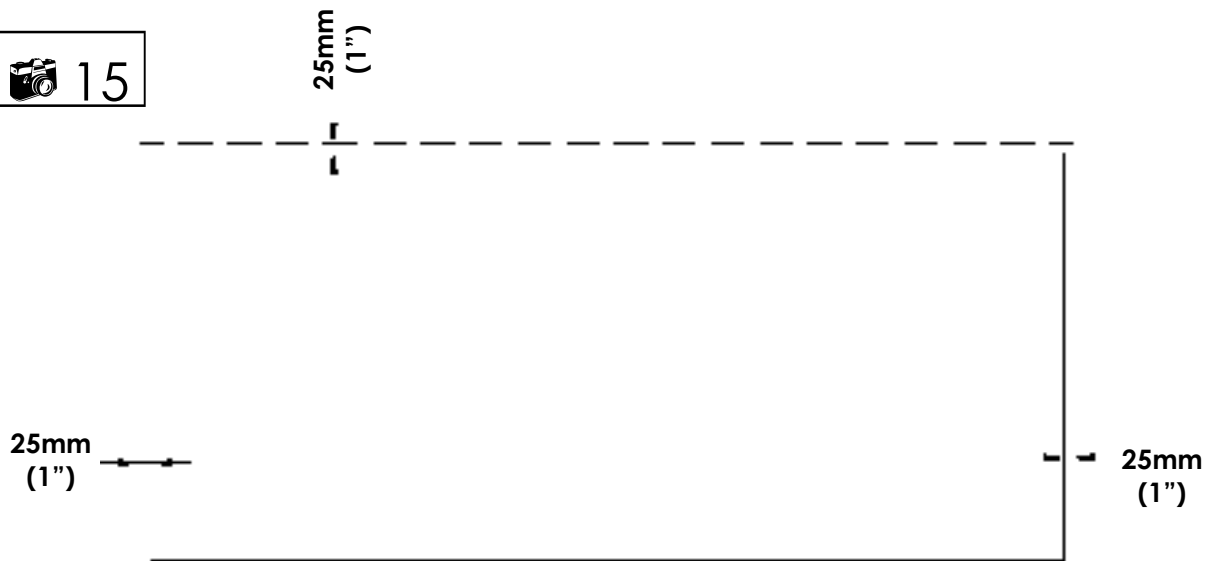


Monteer de kabelclip. Verwijder de folie van de kabelclip en plak deze aan de onderkant van het werkblad. Plaats de kabel in de kabelclip.

## OPTIONEEL

 14 Bind de losse kabels samen met de kabelbinders. Monteer de kabelclip. Verwijder de folie van de kabelclip en plak deze aan de onderkant van het werkblad. Plaats de kabel in de kabelclip.

### 3.12 Afstand van 25 mm tussen de muur of andere objecten en het werkblad



Houd een minimum van 25 mm (1") afstand tussen het werkblad en de muur of andere objecten.

### 3.13 Frame test zonder werkblad



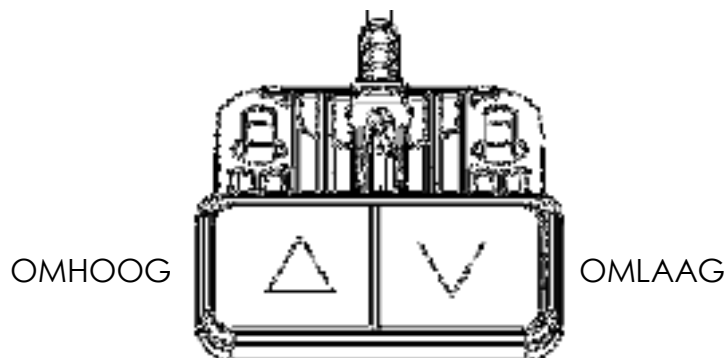
Let erop dat het frame te allen tijde correct en vrij kan bewegen



Indien de kabel van de elektrische componenten moet worden losgekoppeld, dient u eerst de stroomtoevoer los te koppelen.



Indien het frame niet naar behoren werkt, stop dan direct met werken aan het frame. Koppel het frame los van de stroomtoevoer en neem contact op met de klantenservice voor verder advies.

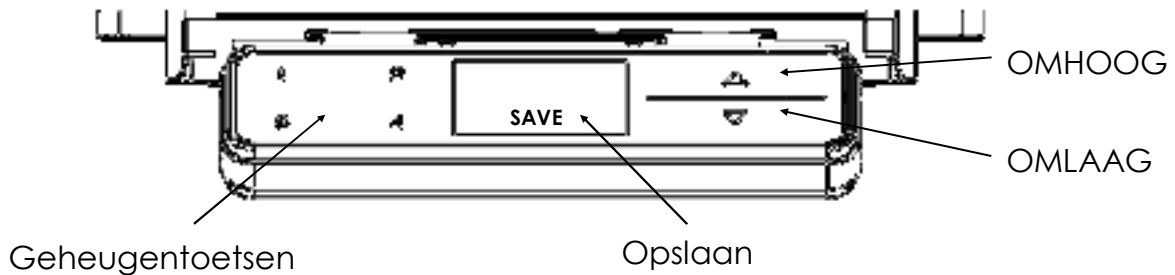


#### Resetmodus

Als u de stekker voor de eerste keer in het stopcontact steekt, kan de hoogte-instelling uitsluitend in de resetmodus worden bediend. Zolang de resetmodus is ingeschakeld, kan het frame uitsluitend omlaag bewegen. Volg voor normaal gebruik van het frame de onderstaande stappen:

- Druk de toets OMLAAG in en houd deze ingedrukt. Het frame beweegt langzaam omlaag.
- Breng het frame naar de laagste stand. Deze stand dient als referentiepunt (nulpunt).
- Houd als het frame de laagste stand heeft bereikt de toets een moment ingedrukt. Hiermee wordt de resetmodus uitgeschakeld.
- Nu kan het frame normaal worden bediend. Druk de toets OMHOOG of OMLAAG in en houd deze ingedrukt om het frame naar de gewenste hoogte te brengen. Het frame stopt als u de toets loslaat.

## Functies van de Memory Master (Optioneel)



### OMHOOG / OMLAAG

Druk deze toetsen in en houd ze ingedrukt om de gewenste hoogte in te stellen. Als u de toets loslaat, stopt de hoogte-instelling.

### Een voorkeursoogte opslaan

Stel het frame op de gewenste hoogte in. Druk op SAVE.

Op het scherm verschijnt:



Druk onmiddellijk op één van de geheugentoetsen. Het weergegeven "-" wordt door de door u gekozen toets vervangen. Twee seconden later bevestigt de voeding de instelling met twee klikken.

### Geheugentoetsen

Druk deze toetsen in en houd ze ingedrukt om een voorkeursoogte in te stellen. Als u de toets loslaat, stopt de hoogte-instelling. Als het frame de voorkeursoogte heeft bereikt, vertraagt de hoogte-instelling eerst en stopt dan.

### De weergegeven hoogte wijzigen

Deze functie verandert uitsluitend de weergegeven hoogte, niet de werkelijke hoogte. Druk eenmaal op SAVE. Druk zodra het scherm:



weergeeft op de toets OMLAAG en houd deze ingedrukt tot de weergegeven hoogte weer knipperend op het scherm verschijnt. U kunt nu de waarde wijzigen door op de toets OMHOOG of OMLAAG te drukken. Druk om dit proces te voltooien eenvoudig op SAVE.

### Resetmodus

Als u de stekker voor de eerste keer in het stopcontact steekt, kan de hoogte-instelling uitsluitend in de resetmodus worden bediend. Zolang de resetmodus is ingeschakeld, kan het frame uitsluitend omlaag bewegen. Volg voor normaal gebruik van het frame de onderstaande stappen:

- Druk de toets OMLAAG in en houd deze ingedrukt. Het frame beweegt langzaam omlaag.
- Breng het frame naar de laagste stand. Deze stand dient als referentiepunt (nulpunt).
- Houd als het frame de laagste stand heeft bereikt de toets een moment ingedrukt. Hiermee wordt de resetmodus uitgeschakeld.
- Nu kan het frame normaal worden bediend. Druk de toets OMHOOG of OMLAAG in en houd deze ingedrukt om het frame naar de gewenste hoogte te brengen. Het frame stopt als u de toets loslaat.

### Het systeem opnieuw opstarten - de resetmodus inschakelen

Om de resetmodus te kunnen inschakelen, moet het frame doorgaans in de laagste stand worden gezet.

- Druk de toets OMLAAG gedurende ongeveer 10 seconden in.
- Volg verder de hierboven onder "Resetmodus" gegeven instructies.



## 4 Correcte zitpositie



### Correcte houding

Een onjuiste houding kan schade aan gewrichten, pezen en spierpijn veroorzaken. Om dit te voorkomen, moet de bureaustoel en het bureau goed worden afgesteld. In aanvulling op de volgende aanbevelingen, moet een oncomfortabele zithouding worden voorkomen. Indien een van de volgende aanbevelingen leidt naar een voor u oncomfortabele houding, pas de bureaustoel en het bureau dan aan naar uw behoeften.

### Bureaustoel

- De zithoogte moet worden aangepast, zodat uw knieën een hoek van 90-120° hebben, wanneer uw voeten plat op de grond staan.
- Voor een juiste zithouding leunt u met uw onderrug tegen de rugleuning. Indien mogelijk stelt u de zitdiepte in, om druk op uw onderbeen te voorkomen. Zit rechtop maar leun achterover in een ontspannen houding. Stel de lendensteun van de stoel, indien mogelijk, af op uw engte.
- Stel de rugleuning in, zodat het enigszins uw romp naar voren drukt maar nog steeds voldoende ruimte laat om u vrij te bewegen.
- Indien mogelijk kunt u de hoogte van de armleuningen aanpassen zodat uw schouders in een ontspannen positie zijn wanneer zij op de armleuning steunen.

### Bureau

- Stel de hoogte van het bureau in nadat u de juiste zithouding heeft gevonden.
- Uw ellebogen moeten een hoek van 90-120° hebben wanneer uw armen rusten op het tafelblad.

### Apparaten op het bureaublad

- Invallend licht (daglicht of lampen) moet de monitor in een hoek van 90° benaderen.
- De hoogte van de monitor moet worden aangepast op een manier die het mogelijk maakt om enigszins naar beneden kijken waarbij de focus ligt het midden van het scherm.
- Houd een afstand van 60-70 cm van uw scherm.
- Een vlak, smal toetsenbord helpt om uw polsen te ontspannen.
- **Let op de aanbevelingen in de handleiding van uw andere (ergonomische) apparatuur.**

## 5 Technische specificaties

Handleiding versie	SLS-IM0015-1EN-DE-NL
Jaar van uitgave	January 2018
Land van productie	Maleisië
Systeem	Tweetraps
Materiaal	Staal, plastic en aluminium
Slag (maximaal) (1) EN527 (2) BIFMA	(1) 660mm (2) 662mm
Frame belasting (maximaal) I. SMART-e-2 II. COMPACT-e	I. 80 kg (26") II. 100kg (26")
Frame gewicht I. Steelforce SLS 270 EN527 II. Steelforce SLS 470 BIFMA III. Steelforce SLS 470 EN527 IV. Steelforce SLS 670 BIFMA V. Steelforce SLS 670 EN527	I. ± 36 kg II. ± 30 kg III. ± 30 kg IV. ± 30 kg V. ± 30 kg
Voeding : I. COMPACT-e-2L-actiforce-US II. COMPACT-e-2L-actiforce-EU III. SMART-e-2-actiforce-US IV. SMART-e-2-actiforce-EU	I. 120Vac, 60Hz, 10A II. 220-240Vac, 50-60Hz, 5A III. 120Vac, 60Hz, 5A IV. 220-240Vac, 50-60Hz, 2.5A
Snelheid	± 39 mm/s
Gebruikscyclus	10 % (2 minuut aan / 18 minuten uit)
Geluidsniveau	< 55 dB(A)
Omgevingstemperatuur bij gebruik	15 - 30°C
Omgevingstemperatuur bij opslag	10 - 50°C
Luchtvochtigheid bij gebruik	<85%
Luchtvochtigheid bij opslag	<50%
Maximale opslagtijd	-
Enkel voor gebruik binnenshuis	

## 5 Technische specificaties

(\* Gemiddelde tolerantie =  $\pm 1$  cm)

### EN527

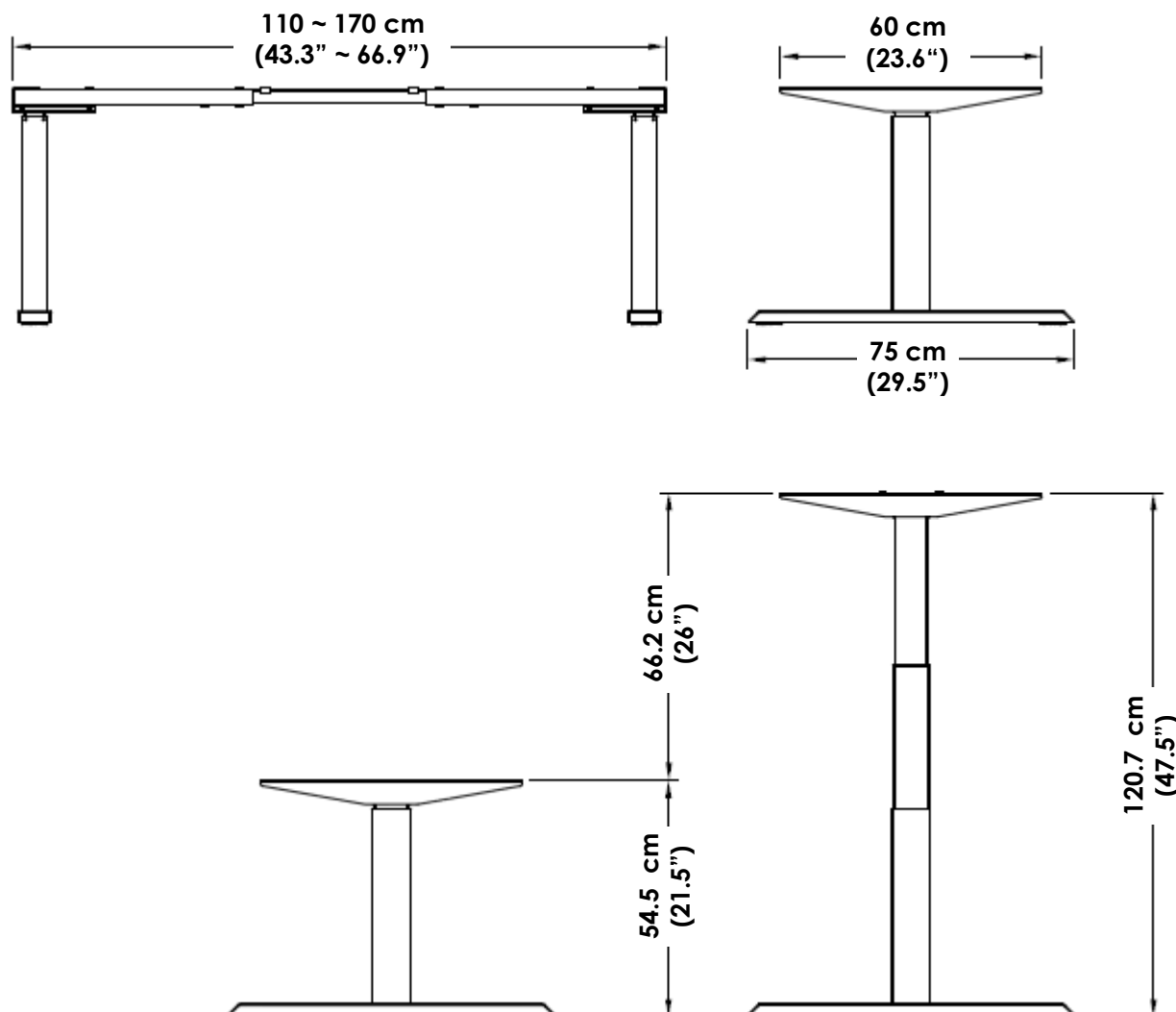


Minimale frame hoogte	61.5cm (24.2")
Maximale frame hoogte	127.5cm (50.2")
Maximale slag	66cm (26")
Framebreedte	110-170cm (43.3"-66.9")
Framediepte	75cm (29.5")
Minimum werkbladdiepte	60cm (23.6")

## 5 Technische specificaties

(\* Gemiddelde tolerantie =  $\pm 1$  cm)

### BIFMA



Minimale frame hoogte	54.5cm	(21.5")
Maximale frame hoogte	120.7cm	(47.5")
Maximale slag	66.2cm	(26")
Framebreedte	110-170cm	(43.3"-66.9")
Framediepte	75cm	(29.5")
Minimum werkbladdiepte	60cm	(23.6")

## 6 Bediening en Gebruiksaanwijzingen



Laat kinderen niet zonder toezicht het frame gebruiken. Kinderen zijn niet in staat de gevaren van het frame in te schatten. Ze lopen hierdoor groot risico op ernstig letsel, mogelijk zelfs met fatale gevolgen.

Zorg er in ieder geval voor dat het frame niet verder versteld kan worden indien het toch door kinderen wordt gebruikt. Houd de maximale inschakelduur van het frame aan.

Zorg voor voldoende ruimte om botsingen te voorkomen indien zich voorwerpen, zoals computers of randapparatuur, op het werkblad bevinden.

### 6.1 Gebruiksaanwijzingen



Verlaat de onmiddellijke omgeving van het frame wanneer dit onbedoeld gaat bewegen. Neem het frame dan niet in gebruik. Laat het frame door een gespecialiseerd bedrijf repareren. Neem het frame pas weer in gebruik nadat het gerepareerd is.

Gebruik het frame niet meer wanneer er zich iets ongebruikelijks bij het frame voordoet (vreemde geluiden, rook etc.). Laat het frame door een gespecialiseerd bedrijf repareren. Neem het frame pas weer in gebruik nadat het op deskundige wijze gerepareerd is.

Gebruik het frame niet meer wanneer er zich veiligheidsrisico's voordoen.

## 7 Probleemoplossingen

Probleem	Mogelijke oorzaak	Oplossing
Het frame beweegt niet.	Kabels of aansluitingen beschadigd.	Controleer alle aansluitingen. Stroomvoorziening in orde?
Het frame beweegt niet.	Als de aansluitingen gecontroleerd zijn, is de handbediening mogelijk defect.	Vervang de handbediening.
Het frame beweegt niet.	Fout in de transformator.	Systeem opnieuw opstarten.

**Wanneer het probleem niet hierboven wordt vermeld, dan dient u contact op te nemen met de klantenservice.**

## 8 Klantenservice

Houd de gegevens van het frame bij de hand wanneer u contact opneemt met uw dealer

Dealer :

## 9 Fabrikant

### **Actiforce International B.V.**

Het Steenland 20  
3751 LA Bunschoten-Spakenburg  
The Netherlands

+31 (0)33 4600120  
[www.actiforce.com](http://www.actiforce.com)  
[info.holland@actiforce.com](mailto:info.holland@actiforce.com)

## 10 Recycling

### 10.1 Buitenbedrijfstelling van het frame

- Haal de stekker uit het stopcontact.




### 10.2 Demontage van het frame

- Houd bij demontage de omgekeerde volgorde van de handleiding aan of neem contact op met de Klantenservice (zie hoofdstuk 8).

### 10.3 Recycling

- Scheid de onderdelen naar materiaalsoort. Houd de nationale wetgeving in acht!

**11 Certifications | Zertifikate | Certificaten**

Marking	Purpose	Standard	Model	Controller
TUV 	Furniture	EN 527-1:2011 EN 527-2:2003 EN 527-3:2003 EK5/AK3 13-01:2014 DIN-Fachbericht 147:2006	Steelforce Pro 270 SLS EN527 Steelforce Pro 670 SLS EN527	SMART & COMPACT
CE 	EMC	EN 61000-3-2 EN 61000-3-3 EN 55014-1 EN 55014-2 EN 55032 EN 55024	Steelforce PRO 470 SLS BIFMA Steelforce PRO 670 SLS BIFMA Steelforce PRO 470 SLS EN527 Steelforce PRO 670 SLS EN527 Steelforce PRO 270 SLS EN527	SMART & COMPACT
-	Safety requirements and test methods for furniture	BIFMA X5.5	Steelforce Pro 470 SLS EN527	COMPACT
	Household and Commercial Furnishing	UL 962	Steelforce PRO 470 SLS BIFMA Steelforce PRO 670 SLS BIFMA Steelforce PRO 470 SLS EN527 Steelforce PRO 670 SLS EN527 Steelforce PRO 270 SLS EN527	COMPACT
-	FCC + IC	47 CFR FCC Part 15 Subpart B ICES-003 Issue 5 August 2012	Steelforce PRO 470 SLS BIFMA Steelforce PRO 670 SLS BIFMA Steelforce PRO 470 SLS EN527 Steelforce PRO 670 SLS EN527 Steelforce PRO 270 SLS EN527	COMPACT

