

PORTABLE AIR CONDITIONER 9000 BTU



User Manual

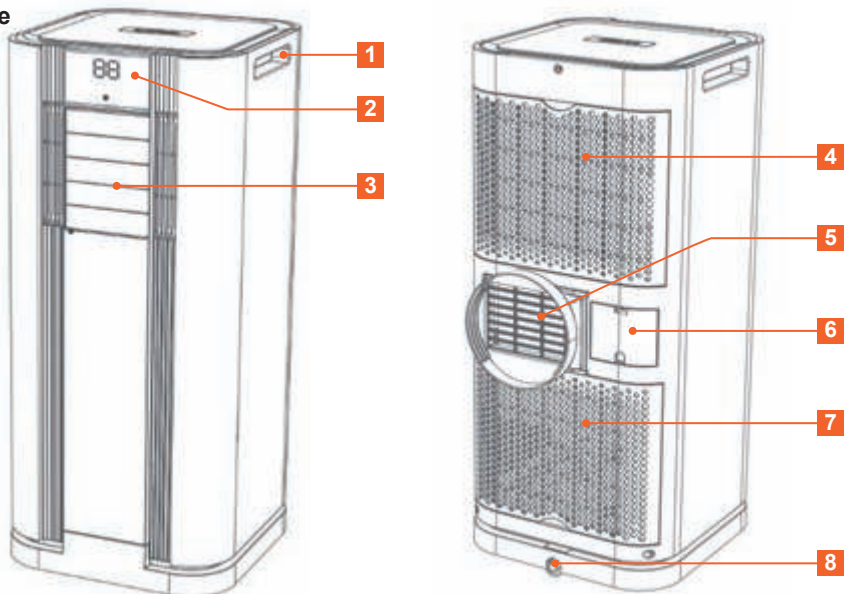
Model No: DO-CH-ACON090

TABLE OF CONTENTS:

- 1) Parts & features
- 2) Safety instructions
- 3) Installing and using the device
- 4) Cleaning and maintenance
- 5) Specifications
- 6) Storage & transportation

1) PARTS & FEATURES

Device



Product images may be subject to change without prior notice.

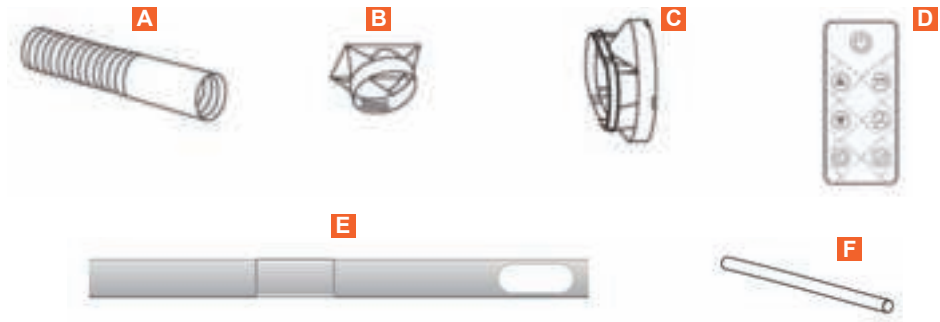
FRONT PART:

- 1 Carry handles
- 2 Digital control panel
- 3 Air outlet - adjustable

BACK PART:

- 4 Air inlet (with air filter)
- 5 Air exhaust
- 6 Power cord storage box
- 7 Air inlet (with air filter)
- 8 Drain opening with sealing plug

Accessories



ACCESSORIES:

- A** Exhaust hose
- B** Device hose adapter
- C** Window hose adapter
- D** Remote control
- E** Window kit
- F** Drain hose



2) SAFETY INSTRUCTIONS

Always take the following basic precautions before using the Portable Air Conditioner 9000 BTU (hereinafter referred to as 'device')



Read the user manual carefully before operation



Service personnel are required to read the user manual and service manual carefully. Further information is available in the user manual and service manual.



The device contains environmentally friendly R290 refrigerant gas. The R290 gas is flammable. Therefore, special precautions must be taken into consideration due to the high flammability of the coolant used in the device. If the device leaks and comes in contact with fire or heating parts, harmful gas is created, resulting in a risk of fire.

General information

- Carefully read the instructions for use and store them in a safe location. If you give this device to other people, please also pass on this manual.
- Only use this device in accordance with instructions in this user manual.
- Do not place the device under any mechanical stress.
- Please handle the device carefully. Jolts, impacts or falls, even from a low height, can damage the device.
- Prior to use, check the device for visible external damage. Never operate the device if it is damaged.
- The guarantee will expire immediately if damage has been caused by non-compliance with this user manual. The manufacturer accepts no liability for damage caused by non-

compliance with the user manual, negligent use or use which does not comply with the conditions of this user manual.

- Keep the device out of the reach of children and pets.
- Keep the device out of the reach of children as this device is not a toy and should be kept under strict supervision to prevent children from using the device as a toy.
- Keep the device out of the reach of children below the age of 8 years.
- Keep children under strict supervision to prevent them from using the device as a toy.
- This device can be used by children older than 8 years and persons with reduced physical, sensory or mental capabilities or lack of experience and knowledge, but only if they are supervised and have been instructed to use the device in a safe manner and understand the hazards involved.
- Do not allow unsupervised children to clean or maintain this device.
- Always remove the device from the power socket:
 - before you move the device;
 - before you store the device;
 - before you clean or maintain the device;
 - after you have used the device.
- Only allow repairs to be carried out by a qualified service centre. Qualified service centre: after-sales department of the manufacturer or store, which is recognised and authorised to carry out such repairs so potential hazards can be prevented. If problems are encountered with the device, please return it to this department.
- This device is intended for domestic or similar use, not for professional use.



• **WARNING!** To reduce the risk of fire or electric shock, connect directly to a grounded three-prong wall power socket.

- The A-weighted sound pressure level is below 55 dB.
- Do not tilt over the device.
- Keep the air inlets and outlets clear from any obstructions.
- Do not put any foreign obstacles in the device.
- Do not put any objects or fingers in the air outlet of the device.
- Do not touch the air inlet or the aluminium fins of the device.
- Do not sit or climb on the device.
- Do not put or install any objects on the device.
- The device should be stored in a room without continuously operational sources such as open flames, gas operating devices or gas heaters)
- The pipe work should be protected from physical damage and not be installed in an unventilated space, if it is smaller than 10 m²



• **WARNING!** Do not leave packaging material lying around carelessly. This may become dangerous playing material for children. **Risk of suffocation!**

Electricity and heat

- Prior to use, check that the mains voltage is the same as the mains voltage stated on the name plate of the device.



• **WARNING!** Do not plug anything else into the same electricity circuit or power wall socket. If unsure your home meets this specification, consult a certified electrician prior to the use of this device. Risk of fire, overheating, malfunction, property damage, injury or even death may result from not adhering to this instruction!

- Connect to a grounded three-prong wall power socket **ONLY**, that is easily accessible at all time.

- Do not connect the device to extension cords, surge protectors, timers, direct breakers or a power socket with other appliances connected to the same power socket. Risk of fire, overheating, malfunction, property damage, injury or even death may result if this instruction is not adhered to!
- Do not use the device outdoors. Exposure to outdoor elements such as rain, snow, sun, wind, or extreme temperatures may cause the device to become a safety hazard.



- **WARNING! DO NOT COVER:** Do not allow foreign objects to enter or block any ventilation, air inlet or exhaust openings and never cover the device with cloths or curtains or any other material, as this may cause electric shock, overheating, fire or damage to the device.
- Make sure your hands are dry before touching the device or power plug.
- Do not use the device if it has a damaged power plug, or if it has become faulty, has fallen or become damaged in any way. Deliver the device to the manufacturer or the closest qualified service centre for inspection or repair.
- Only connect the device to an easily accessible power socket, so you can quickly pull the plug out of the power socket in case of emergency.
- The device must only be powered by connecting the plug to the power socket.
- Do not use any extension cables or socket strips to power the device.
- When plugging in the power plug, make sure people cannot accidentally pull it out or trip over it.
- Make sure the power cord cannot be trodden on or pinched.
- When removing the plug from the power socket, pull the plug itself, not the cable.
- Do not allow the power cord to hang over sharp edges and keep it away from hot objects and naked flames.
- Do not move or store the device until it has cooled down.
- Switch OFF the device and disconnect it from the power socket in case you discover any faults during use, find any signs of damage, or if it is not in use or is being cleaned.
- Do not crush, puncture or dismantle the device; this might damage the device.
- Disconnect the device from the power socket during lightning storms or if it will not be used for long periods of time.
- Do not operate the device using an external time switch or a separate remote control system.
- Before cleaning the device, always disconnect it from the power socket.
- Do not open the casing as this may result in electric shock.
- Never immerse the device in water or any other liquid, to avoid the risk of electric shocks. Do not touch the device if it has fallen into water. Disconnect the device from the power socket with the device switched OFF and do not use it again.
- Ensure that the device does not come into contact with heat sources, such as a hot hob or naked flame.



- **WARNING!** To reduce the risk of fire or electric shock, protect the device from dripping or splashing water, and keep it away from objects filled with liquids such as vases. Such objects should not be placed on or near the device.

Important information, always follow these instructions for safety

- This device can be used by children aged 8 and over and people with restricted physical, sensory or mental capacity or a lack of experience and expertise, provided they are under supervision or have been given instructions on the safe use of the device and are aware of the potential hazards. Children must not play with the device. Cleaning and maintenance

must not be done by children unless they are over the age of 8 and under supervision.

- Only use the device indoors, in dry areas and not in the vicinity of water or any other liquids.



• **WARNING!** This device is NOT intended to be used in bathrooms, laundry areas and similar humid indoor locations.

- Never immerse the device in water or any other liquid. This can cause a fatal electric shock!
- Switch OFF the device and disconnect it from the power socket when the device is not in use or is being cleaned.
- Check the device regularly for damage.
- Never use the device if the power plug shows signs of damage, if the device has fallen to the ground or has any other signs of damage. In such cases, take the device to an expert for inspection and have it repaired if necessary.
- Never allow children to use the device without supervision. Children are unable to judge the hazards associated with incorrectly using electric devices.
- Children in the vicinity of the device must always be supervised by an adult.
- Never leave the device unattended whilst it is in use.
- Keep the device air inlets clean so they cannot become blocked with dust or other particles, thus preventing overheating and malfunction.
- If the device has been in a slanted position of more than 45°, allow it to stand upright for at least 24 hours before use.
- The refrigerant loop (filled with R290 gas) is sealed. Do not attempt to open it. Only qualified service centres can perform inspections or repairs.
- Do not discharge the refrigerant into the atmosphere.
- R290 (propane) gas is flammable and heavier than air. It initially accumulates in low areas, but can be circulated by air.
- **The R290 (propane) gas used in the device is odourless**
- The lack of odour does not mean that no gas has escaped.



• **WARNING!** In case of a detected gas leak, immediately evacuate all persons and pets from the room, ventilate the room and contact the local fire department and explain that a propane leak has occurred.

- Do not let any persons enter the room, before it has been declared safe to enter.
- No open flames, cigarettes or other possible sources of ignition should be used inside or in the vicinity of the device. Risk of fire!
- Parts are designed for propane and are non-incident and non-sparking. Components shall only be replaced with identical parts by qualified service centres.
- Do not use means to accelerate the defrosting process or cleaning agents, other than those recommended by the manufacturer.



Service manual / safety precautions on servicing

Repairs are to be carried out by a qualified service centre. Qualified service centre: after-sales department of the manufacturer or store, which is recognised and authorised to carry out such repairs so that potential hazards can be prevented.

Please observe these warnings when taking the following actions when servicing an appliance with R290.

Checking the area.

Prior to beginning work on systems containing flammable refrigerants, safety checks are necessary to ensure that the risk of ignition is minimized. For repairs to the refrigerating system, the following precautions must be complied with prior to conducting work on the system.

Work procedure

Work shall be undertaken under a controlled procedure, in order to minimize the risk of a flammable gas or vapor being present while the work is being performed.

General work area

All maintenance staff and others working in the local area shall be instructed on the nature of the work being carried out. Work in confined spaces shall be avoided. The area around the workspace shall be sectioned off. Ensure that the conditions within the area have been made safe by controlling flammable material.

Checking for presence of refrigerant

The area shall be checked with an appropriate refrigerant detector prior to and during work, to ensure the technician is aware of potentially flammable atmospheres. Ensure that the leak detection equipment being used is suitable for use with flammable refrigerants, i.e. no sparking, adequately sealed or intrinsically safe.

Presence of fire extinguisher

If any hot work is to be conducted on the refrigeration equipment or any associated parts, appropriate fire extinguishing equipment must be available. Make sure there is a dry powder or CO₂ fire extinguisher near the charging area.

No ignition sources

No person carrying out work in relation to a refrigeration system which involves exposing any pipe work that contains or has contained flammable refrigerant shall use any sources of ignition in such a manner that it may lead to the risk of fire or explosion. All possible ignition sources, including cigarette smoking, should be kept sufficiently far away from the site of installation, repairing, removing and disposal, during which flammable refrigerant can possibly be released to the surrounding area. Prior to work taking place, the area around the equipment is to be surveyed to make sure that there are no flammable hazards or ignition risks. "No Smoking" signs shall be displayed.

Ventilated area

Ensure that the area is in the open or that it is adequately ventilated before breaking into the system or conducting any hot work. A degree of ventilation shall continue to exist during the period that the work is carried out. The ventilation should safely disperse any released refrigerant and preferably expel it externally into the atmosphere.

Checking refrigeration equipment

Where electrical components are being changed, they shall be fit for purpose and have the correct specifications. At all times, the manufacturer's maintenance and service guidelines shall be observed. If in doubt, consult the manufacturer's technical department for assistance.

The following checks shall be applied to installations using flammable refrigerants:

- The charge size is in accordance with the room size within which the refrigerant containing parts are installed.
- The ventilation machinery and outlets are operating adequately and are not obstructed.
- If an indirect refrigerating circuit is being used, the secondary circuit shall be checked for the presence of refrigerant.
- Markings on the equipment continue to be visible and legible. Markings and signs that are illegible shall be corrected.
- Refrigeration pipes or components are installed in a position where they are unlikely

to be exposed to any substance which may corrode refrigerant containing components, unless the components are constructed of materials which are inherently resistant to being corroded or are suitably protected against being corroded.

Checking electrical devices

Repair and maintenance of electrical components shall include initial safety checks and component inspection procedures. If a fault exists that could compromise safety, then no electrical supply shall be connected to the circuit until it is satisfactorily dealt with. If the fault cannot be corrected immediately, but it is necessary to continue operation, an adequate temporary solution shall be used. This shall be reported to the owner of the equipment, so all parties are informed.

Initial safety checks shall include:

- The capacitors are discharged: this shall be done in a safe manner to avoid possibility of sparking.
- That no live electrical components and wiring are exposed while charging, recovering or purging the system.
- That there is continuity of earth bonding.

WARNING!

- Install the device in rooms which exceed 10 m².
- Do not install the device in a place where inflammable gas may leak.

NOTE!

The manufacturer may provide other suitable examples or may provide additional information about the refrigerant odour.

3) INSTALLING AND USING THE DEVICE

First use

Open the packaging carefully before taking out the device. Make sure the device is complete and undamaged. If any components are missing or damaged, contact the vendor and do not use the product. Retain the packaging or recycle it in accordance with local regulations.

- Remove all packaging from the device.
- Clean the device with a damp cloth. Please refer to the 'cleaning and maintenance' section.
- Continue with the procedure in the 'using the device' section.

Using the device

Place the device on a firm and solid surface, in an area with at least 50 cm of free space around the device, generating a proper air circulation.

Do not operate the device close to walls, curtains or other objects that might block the air inlet **4** & **7** and air outlet **3**, resulting in a bad air circulation.

WARNING! If the device has a slanted position of more than 45°, allow it to stand upright for at least 24 hours before use.

Ensure that the device does not come into contact with heat sources, such as radiators, hot hobs or naked flames.

Make sure the device is not exposed to direct sunlight.

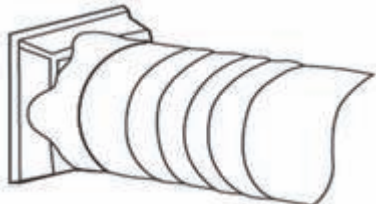
Install the device in rooms of more than 10 m²

Attach the exhaust hose

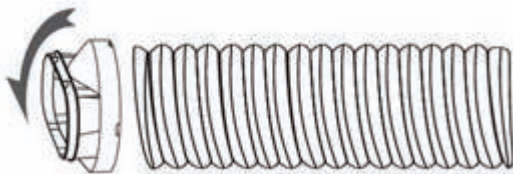
The device requires ventilation to the outside, so that the (hot) exhaust air and moisture can be dispelled outside the room that is being cooled.

Do not replace or extend the exhaust hose, as it will result in decreased efficiency, and can automatically shut down the device due to low backpressure.

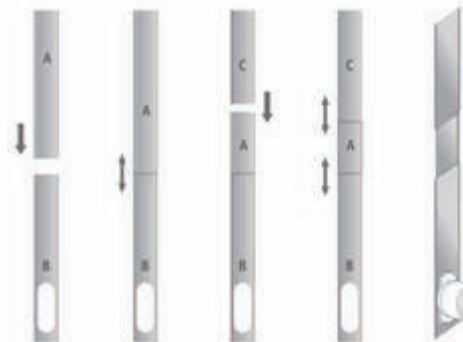
1) Connect the device hose adapter **B** to the one end of the exhaust hose **A**



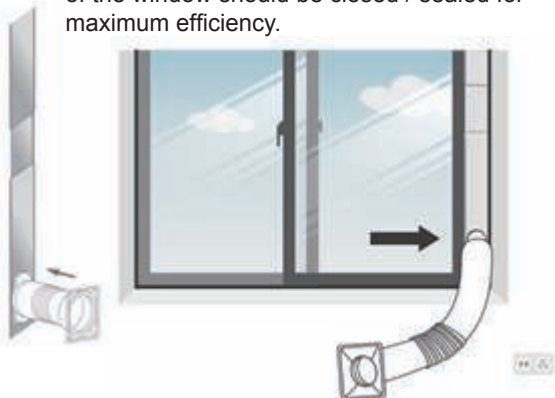
2) Connect the window hose adapter **C** to the one end of the exhaust hose **A**



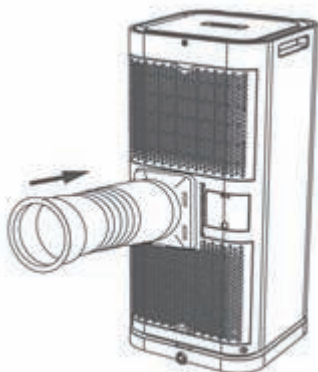
3) Extend the adjustable window kit to the length of your window. Connect the window hose adapter **C** to the window kit **E**



4) Close your window, and make sure the window kit is well and firmly placed. If needed, secure the window kit with duct tape. The gap between the kit and the sides of the window should be closed / sealed for maximum efficiency.



5) Connect the device hose connector **B** to the exhaust air outlet **5**

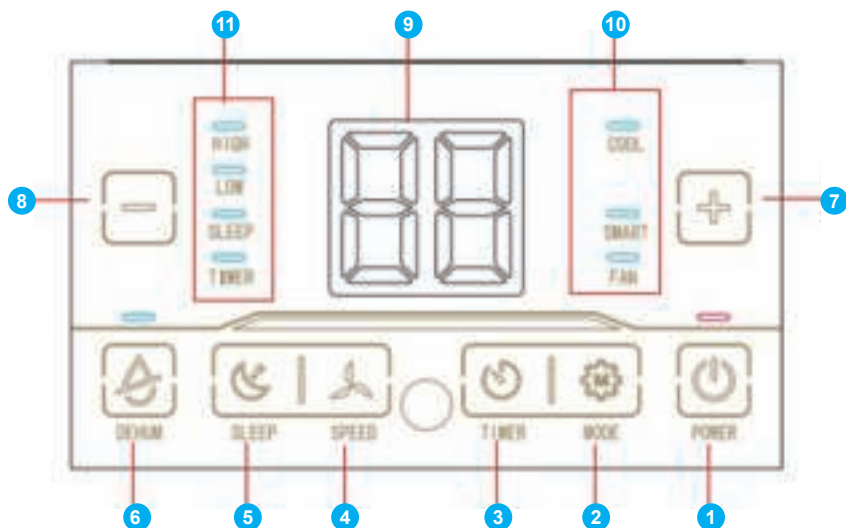


6) Adjust the length of the flexible hose **A** and avoid bends. Place the device close to a power socket.



7) Adjust the louver at the air outlet, the device is ready for use.

Digital control panel



DIGITAL CONTROL PANEL:

- 1 Power ON/OFF button
- 2 Mode button
- 3 Timer button
- 4 FAN speed button
- 5 Standby mode button
- 6 Dehumidifying button
- 7 Increase (temperature & timer)
- 8 Decrease (temperature & timer)
- 9 Display (temperature & timer)
- 10 LED mode indicator
- 11 LED function indicator

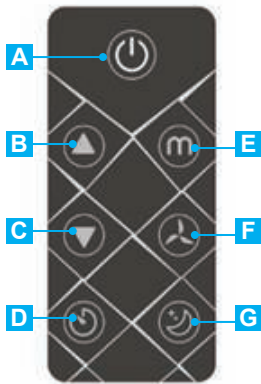
Remote control

The remote control has a pre-installed lithium CR2025 battery.
Remove the protective tab to activate the remote control battery.

Inserting / replacing the remote control battery:

- 1) Push the security lock.
- 2) Pull out the battery tray and remove the old battery.
- 3) Place a new CR2025 battery into the battery tray with correct polarity (+/-) as indicated.
- 4) Place battery tray back in the slot.





REMOTE CONTROL:

- A** Power ON/OFF
- B** Increase
- C** Decrease
- D** Timer
- E** Mode
- F** FAN speed
- G** Standby mode

Modes

Power ON/OFF

Press the power button on the device **1** or remote control **A**

When switching on the device for the first time, it will automatically start in **SMART** mode. When switching on the device, when it already has been powered on, it will start in the last selected mode.

Operation mode

The device has 5 selectable mode functions: Cool – Smart – FAN – Dehumidifying – Sleep. Press the mode button on the device **2** or remote control **E** to select the desired mode.

Cooling mode

Press the mode button on the device **2** or remote control **E** until the **COOL** LED indicator **10** on the digital control panel lights up.

Select the desired temperature by pressing the increase **7** or decrease **8** button on the device.

Or select the desired temperature by pressing the increase **B** or decrease **C** button on the remote control.

The temperature can be set between 16°C and 32°C.

Note! The device will automatically stop cooling when the room temperature is lower than the selected temperature!

FAN Speed

Repeatedly press the FAN speed button on the device **4** or remote control **F** until the required FAN speed has been selected. There are 2 selectable FAN speeds; High speed & low speed.

While pressing the required FAN speed, the LED display **11** will indicate the selected speed.

To control the direction of the airflow, adjust the louver in the air outlet **3** by hand.

FAN mode

You can ventilate your room. In this mode the air is circulated, creating a 'breeze feeling', but the room will not be cooled.

Press the mode button on the device **2** or remote control **E** until the **FAN** LED indicator **10** on the digital control panel lights up.

You can select the required FAN speed as described in “FAN speed”

Dehumidifying mode

Press the mode button on the device **2** or remote control **E** until the **DEHUM** LED indicator lights up.

In this mode, the FAN speed cannot be selected and will be in the default low speed setting.

Note!

In dehumidifying mode, the drain hose **F needs to be connected to the drain opening **8** to release the condensed water.**

See “Drainage” for connection instructions.

Smart mode

In the smart mode the cool and FAN mode will be automatically regulated, depending on the room temperature.

Press the mode button on the device **2** or remote control **E** until the **SMART** LED indicator **10** on the digital control panel lights up.

Once the smart mode has been selected, the mode is activated in the default target setting of 23°C.

At a temperature of $\geq 24^{\circ}\text{C}$, the device operates in cool mode.

At a temperature between 22°C and 24°C , the device operates in fan mode.

When you switch from the **COOL** mode to **SMART** mode, it operates in the smart mode on the degrees set in the cool mode. The temperature cannot be adjusted in the smart mode.

Sleep mode

The sleep mode can be activated in cooling mode.

After 1 hour the preset temperature is increased by 1°C , after another hour the preset temperature will again be increased by 1°C (maximum 2 degrees increase).

Press the mode button on the device **2** or remote control **E** until the **SLEEP** LED indicator **11** on the digital control panel lights up.

Timer setting

The timer settings can be set from 1 hour to 24 hours.

There are 2 timer modes, to turn the device OFF and to turn it ON.

Timer turn OFF (when power is **ON**)

- Press the **TIMER** button on the device **3** or remote control **D** until the TIMER LED indicator **11** on the digital control panel lights up.
- To set the timer delay OFF, press the increase **7** or decrease **8** button on the device or press the increase **B** or decrease **C** button on the remote control. Each press increases or decreases by one hour. The selected time is indicated on the display **9**.

Timer turn ON (when power is **OFF**)

- Press the **TIMER** button on the device **3** or remote control **D** until the TIMER LED indicator **11** on the digital control panel lights up.
- To set the timer delay OFF, press the increase **7** or decrease **8** button on the device or

press the increase **B** or decrease **C** button on the remote control. Each press increases or decreases by one hour. The selected time is indicated on the display **9**.

Canceling the set timer

To cancel the timer, press the increase **7** or decrease **8** button on the device or press the increase **B** or decrease **C** button on the remote control, until **00** shows on the display **9**.

Automatic defrost

At a low room temperature, frost may build up at the evaporator during operation.

The device automatically starts defrosting, the **POWER LED 1** starts blinking.

When the device is in cooling, smart (can be cooling in smart mode) or dehumidifying mode, the ambient temperature sensor senses the evaporator coil temperature. When this temperature is below -1°C , the compressor stops operating. Approximately 10 minutes later, or when the coil temperature is $\geq 7^{\circ}\text{C}$, the device starts to cool again.

Overload protection

In the event of a power loss or cut, there is a 3-minute delay until the compressor restarts.

Self-evaporating system

The self-evaporating system uses the collected water to cool the condenser coils for a more efficient performance. There is no need to empty the water tank in cooling operation. The condensated water will be evacuated via the air exhaust **5** and its connected exhaust hose **A**.

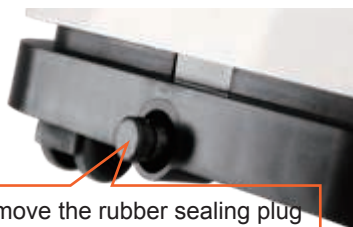
The device requires ventilation to the outside, so that the (hot) exhaust air and moisture can be dispelled outside the room that is being cooled.

Drainage

For continuous or unattended operation, connect the drain hose **F** to the drain opening **8** outlet of the device.

In this way condensate water can flow into a bucket or drain (by gravity).

- Switch off the device
- Remove the drain plug from the drain outlet
- Store the plug safely
- Place the drain hose over the drain outlet
- Make sure the drain hose is not kinked and clear of any obstructions
- Place the drain hose in a bucket or drain and make sure the water can flow out
- Do not submerge the hose end into water, otherwise it can cause an "Air lock" in the drain hose



To avoid water spilling;

As the negative pressure of the condensate drain pan is large, tilt the drain hose downwards towards the floor at approximately 20 degrees.

Straighten the drain hose to avoid a trap from being created in the hose.

4) CLEANING AND MAINTENANCE

Warning

Before cleaning the device, always switch it OFF, disconnect it from the mains electricity supply.

Cleaning the air filters

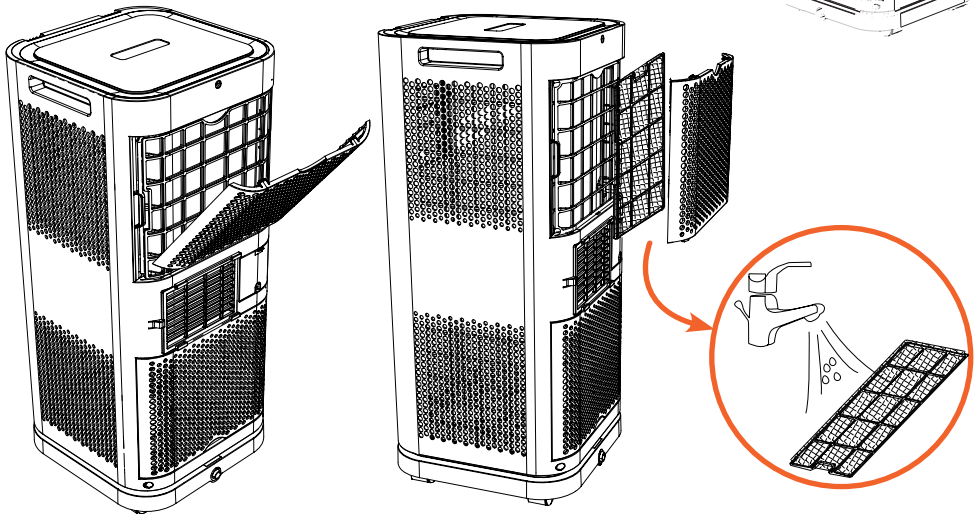
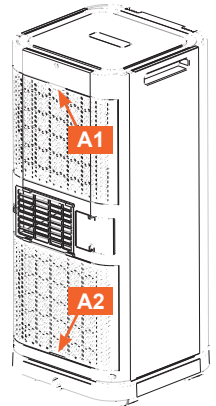
It is recommended to clean the air filter every 2 weeks when using the device.

Dust collects on the filters and restricts the airflow and reduces the efficiency and could even cause damage to the device. The device has 4 air filters; 2 on the rear, and two on the side. The air filter requires regular cleaning and is removable for easy cleaning.

Warning! Do not operate the device without air filters in place! It might contaminate the evaporator.

REAR FILTERS

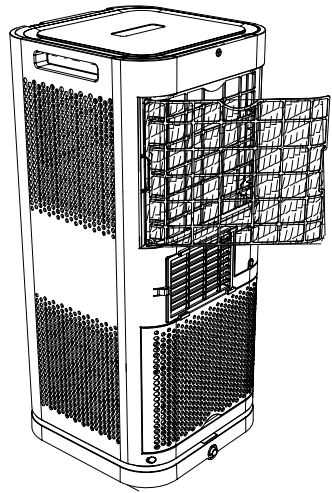
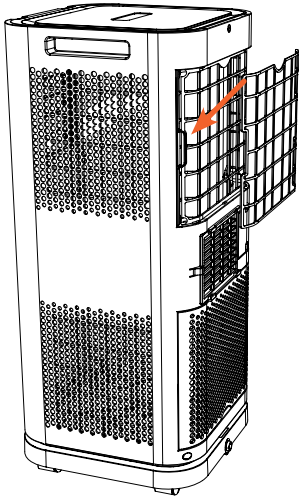
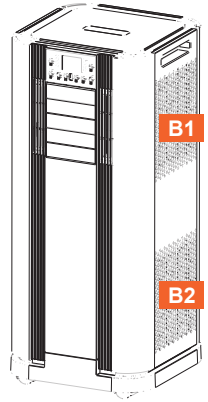
- Remove the plug from the power socket.
- Pull out the back panel (A1) & (A2) from the device.
- Remove the back panel from the filter to gain access to the filter.
- Remove the filter mesh from the back panel.
- Use a clean rag to absorb the surface dust on the filter mesh. If the filter is extremely dirty, use tap water to rinse the filter. Fully dry the filter before placing it back in the device.



⚠ Warning! Do not touch the evaporator surface with bare hands. Risk of injury!

SIDE FILTERS

- Remove the plug from the power socket.
- The side filters can only be accessed when the top back panels are removed from the device!
- Pull out the back panels (A1) & (A2) to gain access to the side filters, as described above.
- Slowly slide the side filters out of the device.
- Remove the filter from the device.
- Remove the filter mash from the device.
- Use a clean rag to absorb the surface dust on the filter mash. If the filter is extremely dirty, use tap water to rinse the filter. Fully dry the filter before placing it back in the device.



Cleaning the device

- Never use aggressive or abrasive cleaning materials, cleaning alcohol or sharp objects like hard brushes or knives.
- Clean the exterior of the casing with a damp cloth.
- Then dry the exterior with a dry cloth.

Note:

- **The device CANNOT be immersed in water.**

5) TROUBLESHOOTING

Symptom		Inspection	Solution
The device is not operating		√ Check the plug connection.	Insert the power plug securely into the power socket.
		√ Check if the water level indicator lights up.	Empty the water tank (drainage) and reinstall correctly.
		√ Check the room temperature.	The range of operating temperature is 5 - 35°C.
The device does not cool as set		√ Check the air filters for dirt.	Clean the air filter.
		√ Check if the air exhaust is blocked.	Clear it from any obstacles.
		√ Check if the room temperature is too low or too high.	This is normal. Allow more time for cooling down when the device is first turned on.
		√ Set temperature is higher / lower than current temperature.	Set the temperature at proper set-point according to the manual.
Water leakage		√ Overflow while moving the device.	Empty the water tank (drainage) before transport.
		√ Check if the drain hose is kinked or bent.	Straighten the drain hose to avoid the creation of a trap.
Excessive noise		√ Check if the device is securely positioned.	Place the device on a horizontal and firm surface.
		√ Check for any loose or vibrating parts.	Secure and tighten the parts.
		√ Noise sounds like water flowing.	Noise comes from flowing refrigerant. This is normal.
Error codes	E0	√ Communication faults between the device main PCB and display.	Contact the reseller.
	E1	√ Temperature sensor failure	Contact the reseller.
	E2	√ Humidity sensor dampened or failure.	Contact the reseller.
	Ft	√ Condensate water high level alarm.	Empty the drain pan by removing the rubber plug from the drain opening.

5) SPECIFICATIONS

- Voltage input: 220 - 240 Vac – 50 Hz
- Class: I
- Rated input/power cooling: 950W/4.3A
- Fuse type and rating: T-Type, 250 Vac, 3.15A
- Cooling capacity: 9.000 BTU
- Sound level: ≤ 65 dB(A)
- Maximum refrigerant charge: R290/200g
- Maximum suction / exhaust side working pressure: 0.7 Mpa/3.2Mpa
- Minimum room size: 10 M2 (floor area)
- Dimensions: 74 x 32 x 32 cm (H x D x W)
- Weight: 25.5 Kg

6) STORAGE & TRANSPORTATION

- When storing the device, it should first be cleaned in accordance with this user manual.
- Drain the remaining water.
- The evaporation in the device needs to be well dried out.
- The device should be stored in its original packaging in an upright position.
- The device should be stored in a room without continuously operational sources such as open flames, gas operating devices or gas heaters)
- Always store the device in a dry and well-ventilated room and beyond the reach of children.
- Protect the device against vibrations and shocks during transport.

All contents and specifications mentioned in this manual are subject to change without prior notice.

INSTRUCTIONS FOR PROTECTING THE ENVIRONMENT

(WEEE, the waste electrical and electronic equipment directive)



Your product has been manufactured using high quality materials and components which can be recycled and used again. At the end of its service life, this product **cannot** be disposed of in normal domestic waste, but must be taken to a special collection point for recycling electrical and electronic equipment. This is indicated in the user manual and in the packaging by the waste container marked with a cross symbol. Used raw materials are suitable for recycling.

By recycling used appliances or raw materials, you are playing an important role in protecting our environment. You can ask your local council about the location of your nearest collection point.

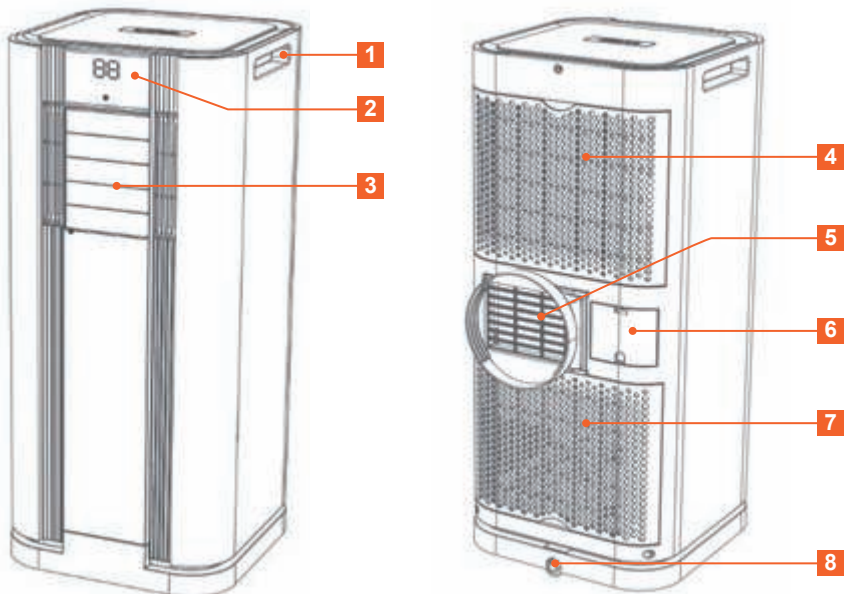
Model: DO-CH-ACON090

INHOUDSOPGAVE:

- 1) Onderdelen en functies
- 2) Veiligheidsinstructies
- 3) Installatie en gebruik van het apparaat
- 4) Reiniging en onderhoud
- 5) Specificaties
- 6) Opslag en transport

1) ONDERDELEN EN FUNCTIES

Apparaat



Productafbeeldingen kunnen zonder mededeling vooraf worden gewijzigd.

VOORSTE DEEL:

- 1 Draaggrepen
- 2 Digitaal bedieningspaneel
- 3 Luchtuitlaat - instelbaar

ACHTERSTE DEEL:

- 4 Luchtinlaat (met luchtfilter)
- 5 Luchtafvoer
- 6 Opslagruimte voor stroomkabel
- 7 Luchtinlaat (met luchtfilter)
- 8 Drainageopening met afdichtplug

Accessoires



A



B



C



D



E



F

ACCESSOIRES:

- A** Afvoerslang
- B** Adapter voor slang van apparaat
- C** Adapter raamslang
- D** Afstandsbediening
- E** Raamset
- F** Drainageslang



2) VEILIGHEIDSINSTRUCTIES

Tref altijd de volgende algemene voorzorgsmaatregelen voordat u de Mobiele Airconditioner 9000 BTU (hierna 'apparaat' te noemen) gebruikt.



Lees de gebruikershandleiding zorgvuldig door voordat u het apparaat gebruikt.



Onderhoudspersoneel is verplicht de gebruikershandleiding en de onderhoudshandleiding zorgvuldig door te lezen.

Extra informatie is verkrijgbaar in de gebruikershandleiding en onderhoudshandleiding.



Het apparaat bevat milieuvriendelijk R290-koelgas.

Het R290-gas is ontvlambaar. Daarom moeten speciale voorzorgsmaatregelen in acht worden genomen vanwege de grote ontvlambaarheid van het koelmiddel dat in het apparaat wordt gebruikt.

Als het apparaat lekt en in contact komt met vuur of verwarmingsonderdelen, ontstaat er een schadelijk gas, dat brandgevaar oplevert.

Algemene informatie

- Lees deze instructies vóór gebruik goed door en bewaar ze op een veilige plaats. Als u dit apparaat aan iemand anders geeft, geef deze handleiding daar dan bij.
- Gebruik dit apparaat uitsluitend volgens de instructies in deze gebruikershandleiding.
- Zorg ervoor dat het apparaat niet wordt blootgesteld aan enige mechanische belasting.
- Ga voorzichtig met het apparaat om. Het apparaat kan beschadigd raken door een schok, stoot of val, zelfs van een geringe hoogte.
- Voordat u het apparaat gebruikt, moet u het controleren op zichtbare beschadigingen. Gebruik het apparaat niet als het beschadigd is.
- De garantie komt direct te vervallen in geval van schade als gevolg van het niet in acht

nemen van deze gebruikershandleiding. De fabrikant accepteert geen aansprakelijkheid voor schade als gevolg van het niet in acht nemen van de gebruikershandleiding, onzorgvuldig gebruik of gebruik dat niet overeenstemt met de voorwaarden in deze gebruikershandleiding.

- Houd het apparaat buiten bereik van kinderen en huisdieren.
- Houd dit apparaat buiten bereik van kinderen. Dit apparaat is namelijk geen speelgoed. Houd kinderen altijd in de gaten om te voorkomen dat ze met het apparaat spelen.
- Houd het apparaat buiten het bereik van kinderen jonger dan 8 jaar.
- Houd kinderen goed in de gaten en voorkom dat ze het apparaat gebruiken als speelgoed.
- Het apparaat mag worden gebruikt door kinderen ouder dan 8 jaar en personen met verminderde lichamelijke, zintuiglijke of geestelijke vaardigheden of gebrek aan ervaring en kennis, maar uitsluitend onder toezicht en nadat zij zijn geïnstrueerd over het veilig gebruik van het apparaat en bekend zijn met de gevaren.
- Laat kinderen dit apparaat niet zonder toezicht schoonmaken of onderhouden.
- Haal altijd de stekker van het apparaat uit het stopcontact:
 - o voordat u het apparaat verplaatst;
 - o voordat u het apparaat opbergt;
 - o voordat u het apparaat schoonmaakt of onderhoudt;
 - o nadat u het apparaat hebt gebruikt.
- Laat reparaties uitsluitend uitvoeren door een gekwalificeerd servicecentrum. Gekwalificeerd servicecentrum: serviceafdeling van de fabrikant of winkel die erkend en bevoegd is om dergelijke reparaties uit te voeren, zodat mogelijke gevaren worden vermeden. Als u problemen met het apparaat ondervindt, breng het dan naar dit servicecentrum.
- Dit apparaat is uitsluitend bedoeld voor huishoudelijke doeleinden of vergelijkbaar gebruik, niet voor professioneel gebruik.



• **WAARSCHUWING!** Verklein het risico op brand of een elektrische schok door het apparaat rechtstreeks aan te sluiten op een geaard stopcontact aan de muur.

- Het A-gewogen geluidsdrukkniveau is lager dan 55 dB.
- Kantel het apparaat niet.
- Houd de luchtinlaten en -uitlaten vrij van obstakels.
- Plaats geen blokkerende voorwerpen in het apparaat.
- Steek geen voorwerpen of vingers in de luchtuitlaat van het apparaat.
- Raak de luchtinlaat of de aluminium lamellen van het apparaat niet aan.
- Zit of klim niet op het apparaat.
- Plaats of installeer geen voorwerpen op het apparaat.
- Berg het apparaat op in een ruimte zonder continu werkende warmtebronnen, zoals open vuur, op gas werkende apparaten of gaskachels.
- De leidingen moeten worden beschermd tegen fysieke schade en mogen niet worden geïnstalleerd in een ongeventileerde ruimte die kleiner is dan 10 m².



• **WAARSCHUWING!** Laat verpakkingsmateriaal niet onbeheerd rondslingeren. Het kan gevaar opleveren wanneer kinderen ermee spelen. **Kans op verstikking!**

Elektriciteit en warmte

- Controleer vóór gebruik of de netspanning gelijk is aan de spanning vermeld op het typeplaatje van het apparaat.



• **WAARSCHUWING!** Verbind geen andere apparaten met hetzelfde stroomcircuit

of stopcontact. Wanneer u twijfelt of uw huis voldoet aan deze specificaties, raadpleeg dan een gekwalificeerde elektricien voordat u het apparaat gebruikt. Wanneer u zich niet houdt aan deze instructies, riskeert u de kans op brand, oververhitting, storingen, materiële schade, letsel of zelfs de dood!

- Sluit het apparaat alleen aan op een geaard stopcontact, dat altijd gemakkelijk bereikbaar is.
- Sluit het apparaat niet aan op een verlengsnoer, spanningsbeveiliging, timer, stroomonderbreker of een stopcontact waarop ook andere apparaten zijn aangesloten. Wanneer u zich niet houdt aan deze instructies, riskeert u de kans op brand, oververhitting, storingen, materiële schade, letsel of zelfs de dood!
- Gebruik het apparaat niet buitenshuis. Blootstelling aan de elementen zoals regen, sneeuw, zon, wind of extreme temperaturen kan ervoor zorgen dat het apparaat een gevaar vormt voor de veiligheid.



- **WAARSCHUWING! NIET AFDEKKEN:** Zorg ervoor dat de openingen voor ventilatie, luchtinlaat en -uitlaat niet door voorwerpen worden geblokkeerd en zorg er ook voor dat het apparaat nooit wordt afgedekt door doekjes, gordijnen of enig ander materiaal. Dit kan leiden tot een elektrische schok, oververhitting, brand of schade aan het apparaat.
- Zorg ervoor dat uw handen droog zijn voordat u het apparaat of de stekker aanraakt.
- Gebruik het apparaat niet als de stekker beschadigd is, als het apparaat defect is, gevallen is of op enige wijze beschadigd is geraakt. Breng het apparaat naar de fabrikant of het dichtstbijzijnde servicecentrum voor inspectie of reparatie.
- Steek de stekker van het apparaat uitsluitend in een stopcontact dat gemakkelijk toegankelijk is, zodat u de stekker in geval van nood snel uit het stopcontact kunt trekken.
- Het apparaat mag alleen van stroom worden voorzien door de stekker in het stopcontact te steken.
- Gebruik geen verlengsnoeren of stekkerdozen om het apparaat van stroom te voorzien.
- Wanneer u de stekker in het stopcontact steekt, moet u ervoor zorgen dat anderen deze niet per ongeluk los kunnen trekken of over het stroomsnoer kunnen struikelen.
- Zorg ervoor dat niemand op het stroomsnoer kan gaan staan of dat het snoer anderszins beklemd kan raken.
- Als u de stekker uit het stopcontact trekt, moet u aan de stekker zelf trekken en niet aan het snoer.
- Laat het stroomsnoer niet over scherpe randen hangen en houd het uit de buurt van hete voorwerpen en open vuur.
- Verplaats het apparaat pas en berg het pas op als het is afgekoeld.
- Schakel het apparaat UIT en haal de stekker uit het stopcontact als u tijdens het gebruik storingen ondervindt, tekenen van beschadiging constateert, het apparaat niet gebruikt of het schoonmaakt.
- Het apparaat mag niet klem komen te zitten of worden gedemonteerd; hierdoor kan het beschadigd raken.
- Haal het apparaat uit het stopcontact tijdens onweersbuien of wanneer het gedurende langere tijd niet wordt gebruikt.
- Gebruik het apparaat niet met een externe tijdschakelaar of een afzonderlijke afstandsbediening.
- Haal het apparaat altijd uit het stopcontact voordat u het schoonmaakt.
- Open de behuizing niet. Als u dit wel doet, loop u kans op een elektrische schok.
- Dompel het apparaat nooit onder in water of een andere vloeistof. Zo voorkomt u de kans op een elektrische schok. Raak het apparaat niet aan als het in water is gevallen. Schakel

het apparaat in dat geval uit, trek het uit het stopcontact en gebruik het niet meer.

- Zorg ervoor dat het apparaat niet in aanraking komt met een hittebron, zoals een hete kookplaat of open vuur.



• **WAARSCHUWING!** Om de kans op brand of een elektrische schok te verminderen, moet u het apparaat beschermen tegen druppelend of opspattend water en uit de buurt houden van met water gevulde voorwerpen zoals vazen. Dergelijke voorwerpen mogen niet op of in de buurt van het apparaat worden geplaatst.

Belangrijke informatie – volg deze veiligheidsinstructies altijd op

- Dit apparaat mag worden gebruikt door kinderen van 8 jaar en ouder en personen met verminderde lichamelijke, zintuiglijke of geestelijke vaardigheden of gebrek aan ervaring en kennis, op voorwaarde dat zij in de gaten worden gehouden en instructies hebben ontvangen over het veilige gebruik van het apparaat en op de hoogte zijn van de gevaren ervan. Laat kinderen nooit met het apparaat spelen. Reiniging en onderhoud dienen niet te worden uitgevoerd door kinderen, tenzij ze ouder zijn dan 8 en onder toezicht staan van een volwassene.
- Gebruik het apparaat uitsluitend binnenshuis, in droge gebieden en niet in de buurt van water of andere vloeistoffen.



• **WAARSCHUWING!** Dit apparaat is niet bedoeld om te worden gebruikt in de badkamer, in de buurt van wasmachines en andere vochtige plekken binnenshuis.

- Dompel het apparaat nooit onder in water of een andere vloeistof. Dit kan een dodelijke elektrische schok veroorzaken!
- Schakel het apparaat UIT en trek het uit het stopcontact wanneer u het apparaat niet gebruikt of wilt reinigen.
- Controleer het apparaat regelmatig op schade.
- Gebruik het apparaat niet als de stekker zichtbaar is beschadigd, als het apparaat op de grond is gevallen of andere sporen van schade vertoont. In een dergelijk geval moet u het apparaat door een deskundige laten inspecteren en eventueel laten repareren.
- Laat het apparaat nooit door kinderen gebruiken zonder toezicht. Kinderen zijn niet in staat de gevaren te beoordelen die gepaard gaan met onjuist gebruik van elektrische apparaten.
- Kinderen in de buurt van het apparaat moeten altijd door een volwassene in de gaten worden gehouden.
- Laat het apparaat nooit onbewaakt achter als het in gebruik is.
- Om oververhitting en storing te voorkomen, moet u de luchtinlaten van het apparaat schoon houden en ervoor zorgen dat deze niet wordt geblokkeerd door stof of andere deeltjes.
- Als het apparaat in een schuine stand van meer dan 45 graden heeft gestaan, moet u het minimaal 24 uur rechtop zetten voordat u het gebruikt.
- Het koelmiddelcircuit (gevuld met R290-gas) is afgedicht. Probeer het niet te openen. Inspecties en reparaties mogen uitsluitend worden uitgevoerd door erkende servicecentra.
- Zorg ervoor dat het koelmiddel niet vrijkomt in de atmosfeer.
- R290-gas (propan) is ontvlambaar en zwaarder dan lucht. Het hoopt zich in eerste instantie op in lage gebieden, maar kan door lucht worden gecirculeerd.
- **Het R290-gas (propan) dat in het apparaat wordt gebruikt, is reukloos**
- Wanneer u niets ruikt, betekent dat dus niet dat er geen gas is ontsnapt.



• **WAARSCHUWING!** Wanneer er een gaslek is gedetecteerd, moeten alle personen

en huisdieren onmiddellijk uit de kamer worden geëvacueerd. Ventileer de kamer, neem contact op met de plaatselijke brandweer en leg uit dat er een lekkage van propaan heeft plaatsgevonden.

- Laat niemand de kamer betreden voordat deze weer veilig is verklaard.
- In of in de buurt van het apparaat mogen geen open vuur, sigaretten of andere ontstekingsbronnen worden gebruikt. Brandgevaar!
- Onderdelen zijn ontworpen voor propaan en zijn niet-brandbaar en niet-vonkend. Onderdelen mogen alleen door erkende servicecentra worden vervangen door identieke onderdelen.
- Gebruik geen andere reinigingsmiddelen of middelen om de ontsteking te versnellen, dan de door de fabrikant aanbevolen middelen.



Onderhoudshandleiding / veiligheidsmaatregelen bij onderhoud

Reparaties mogen uitsluitend worden uitgevoerd door een erkend servicecentrum. Erkend servicecentrum: serviceafdeling van de fabrikant of winkel die erkend en bevoegd is om dergelijke reparaties uit te voeren, zodat mogelijke gevaren worden vermeden.

Neem deze waarschuwingen in acht bij het uitvoeren van de volgende handelingen bij het onderhoud van een apparaat met R290.

Controle van de omgeving

Voordat wordt begonnen met werkzaamheden aan systemen die brandbare koelmiddelen bevatten, moeten er veiligheidscontroles worden uitgevoerd om ervoor te zorgen dat het risico op ontsteking tot een minimum wordt beperkt. Bij reparaties aan het koelsysteem moeten de volgende voorzorgsmaatregelen in acht worden genomen voordat werkzaamheden aan het systeem worden uitgevoerd.

Werkprocedure

De werkzaamheden moeten worden uitgevoerd volgens een gecontroleerde procedure, zodat de risico's die verbonden zijn aan een ontvlambaar gas of damp tijdens de werkzaamheden tot een minimum worden beperkt.

Het algemene werkgebied

Alle onderhoudsmedewerkers en anderen die in de omgeving werken, moeten instructies ontvangen over de aard van de werkzaamheden die worden uitgevoerd. Werkzaamheden in besloten ruimten moeten worden vermeden. Het gebied rond de werkplek moet worden afgezet. Zorg ervoor dat de omstandigheden binnen het gebied veilig zijn gemaakt door het controleren van brandbaar materiaal.

Controle op de aanwezigheid van koelmiddel

Het gebied moet vóór en tijdens de werkzaamheden worden gecontroleerd met een geschikte detector van koelmiddelen, om ervoor te zorgen dat de monteur op de hoogte is van een potentieel ontvlambare omgeving. Zorg ervoor dat de gebruikte detectieapparatuur voor lekkages geschikt is voor gebruik met brandbare koelmiddelen, d.w.z. vonkvrij, voldoende afgedicht of intrinsiek veilig.

Aanwezigheid van een brandblusser

Als er brandgevaarlijke werkzaamheden aan de koelapparatuur of bijbehorende onderdelen moeten worden uitgevoerd, moet er geschikte brandblusapparatuur beschikbaar zijn. Zorg ervoor dat er een brandblusser met droog poeder of een CO₂ in de buurt staat van het vulgebied.

Geen ontstekingsbronnen

Bij werkzaamheden aan het koelsysteem waarbij leidingen worden blootgelegd die brandbaar koelmiddel bevatten of hebben bevat, mag niemand gebruik maken van ontstekingsbronnen op een wijze die kan leiden tot brand- of explosiegevaar. Alle mogelijke ontstekingsbronnen, inclusief brandende sigaretten, moeten op voldoende afstand worden gehouden van de plaats van installatie, reparatie, verwijdering en afvoer, zolang er brandbaar koelmiddel vrij kan komen in het omliggende gebied. Voordat de werkzaamheden worden uitgevoerd, moet het gebied rondom de apparatuur worden geïnspecteerd op de aanwezigheid van brand- en ontstekingsgevaaren. Er moeten borden met 'Niet roken' worden opgehangen.

Geventileerde ruimte

Zorg ervoor dat het gebied in de buitenlucht is of voldoende is geventileerd, voordat u het systeem opent of brandgevaarlijke werkzaamheden uitvoert. Zolang de werkzaamheden worden uitgevoerd, moet er een zekere mate van ventilatie blijven bestaan. De ventilatie moet ervoor zorgen dat het vrijgekomen koelmiddel veilig wordt verspreid en bij voorkeur naar de buitenlucht wordt afgevoerd.

Controle van koelapparatuur

Wanneer elektrische componenten worden vervangen, moeten deze geschikt zijn voor het specifieke doel en de juiste specificaties hebben. De onderhouds- en servicerichtlijnen van de fabrikant moeten te allen tijde in acht worden genomen. Raadpleeg in geval van twijfel de technische dienst van de fabrikant.

De volgende controles moeten worden uitgevoerd op installaties met brandbare koelmiddelen:

- De hoeveelheid koelmiddelvulling komt overeen met de grootte van de ruimte waarbinnen de koelmiddel-bevattende onderdelen worden geïnstalleerd.
- De ventilatie-apparatuur en -uitlaten werken naar behoren en worden niet geblokkeerd.
- bij gebruik van een indirect koelcircuit, moet het secundaire circuit worden gecontroleerd op de aanwezigheid van koelmiddel.
- Markeringen op de apparatuur zijn nog steeds zichtbaar en leesbaar. Onleesbare markeringen en tekens moeten worden gecorrigeerd.
- Koelleidingen of -componenten zijn geïnstalleerd op een plaats waar ze niet worden blootgesteld aan stoffen die koelmiddel-bevattende componenten kunnen corroderen, tenzij de componenten zijn vervaardigd van materialen die inherent bestand zijn tegen corrosie of die op passende wijze zijn beschermd tegen corrosie.

Controle van elektrische apparatuur

De reparatie en het onderhoud van elektrische componenten moeten de eerste veiligheidscontroles en de inspectieprocedures voor componenten omvatten. Als er een storing is die de veiligheid in gevaar kan brengen, mag er geen elektrische voeding op het circuit worden aangesloten totdat deze storing naar tevredenheid is afgehandeld. Als de storing niet onmiddellijk kan worden verholpen, maar het noodzakelijk is het apparaat in bedrijf te houden, moet een passende tijdelijke oplossing worden gebruikt. Deze oplossing moet worden gemeld aan de eigenaar van de apparatuur, zodat alle partijen op de hoogte zijn.

De eerste veiligheidscontroles moeten omvatten:

- De condensatoren worden ontladen: dit moet op een veilige manier gebeuren om vonkvorming te voorkomen.
- Tijdens het vullen, herstellen of doorblazen van het systeem worden de elektrische componenten en de bedrading niet blootgesteld.
- De aardleiding blijft verbonden.



WAARSCHUWING!

- Installeer het apparaat in ruimtes groter dan 10 m².
- Installeer het apparaat niet op een plaats waar ontvlambaar gas kan lekken.



LET OP!

De fabrikant kan andere geschikte voorbeelden geven of aanvullende informatie geven over de geur van het koelmiddel.

3) INSTALLATIE EN GEBRUIK VAN HET APPARAAT

Eerste gebruik

Open de verpakking voorzichtig en haal het apparaat eruit. Controleer of het apparaat volledig en onbeschadigd is. Mochten er onderdelen beschadigd zijn of ontbreken, neem dan contact op met de verkoper en gebruik het product niet. Bewaar de verpakking of recycle deze zoals voorgeschreven door lokale regelgeving.

- Verwijder al het verpakkingsmateriaal van het apparaat.
- Reinig het apparaat met een vochtige doek. Raadpleeg het onderdeel 'Reiniging en onderhoud'.
- Ga verder met de procedure in het onderdeel 'Gebruik van het apparaat'.

Gebruik van het apparaat

Plaats het apparaat op een stevige en stabiele ondergrond, in een gebied met ten minste 50 cm vrije ruimte rondom het apparaat, waardoor een goede luchtcirculatie ontstaat. Gebruik het apparaat niet in de buurt van muren, gordijnen of andere voorwerpen die de luchtinlaat **4** en **7** en de luchtuitlaat **3** kunnen blokkeren, waardoor er een slechte luchtcirculatie ontstaat.



WAARSCHUWING! Als het apparaat in een schuine stand van meer dan 45 graden heeft gestaan, moet u het minimaal 24 uur rechtop zetten voordat u het gebruikt.

Zorg ervoor dat het apparaat niet in aanraking komt met hittebronnen, zoals radiatoren, hete kookplaten of open vuur.

Zorg ervoor dat het apparaat niet wordt blootgesteld aan direct zonlicht.

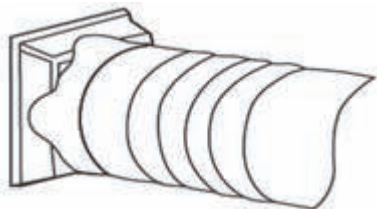
Installeer het apparaat in ruimtes groter dan 10 m²

Bevestig de afvoerslang

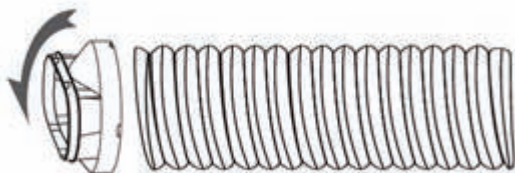
Het apparaat moet naar de buitenlucht worden geventileerd, zodat de (hete) afvoerlucht en het vocht worden afgevoerd buiten de ruimte die wordt gekoeld.

Vervang of verleng de afvoerslang niet, omdat dit de efficiëntie kan verminderen en het apparaat automatisch kan uitschakelen als gevolg van lage tegendruk.

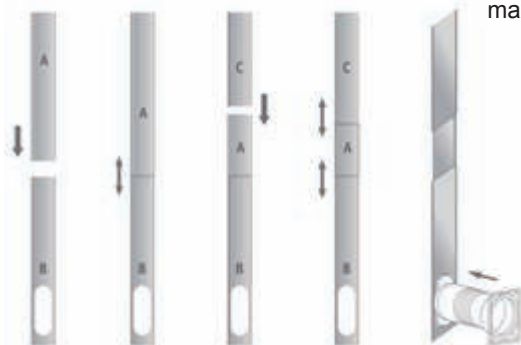
1) Sluit de adapter voor de slang van het apparaat **B** aan op het ene uiteinde van de afvoerslang **A**



2) Sluit de adapter voor de raamslang **C** aan op het andere uiteinde van de afvoerslang **A**



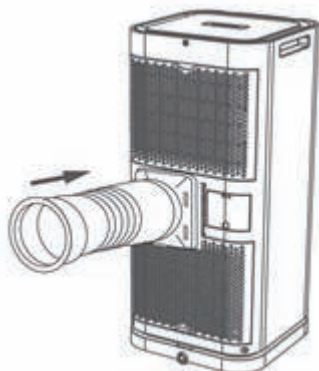
3) Verleng de verstelbare raamset tot de afstand naar het raam. Sluit de adapter voor de raamslang **C** aan op de raamset **E**



4) Sluit het raam en zorg ervoor dat de raamset goed en stevig is geplaatst. Zet de raamset indien nodig vast met ducttape. De opening tussen de set en de zijkanten van het raam moet worden afgedicht om maximale efficiëntie te bereiken.



5) Sluit de connector van de apparaatslang **B** aan op de luchtuitleat **5**

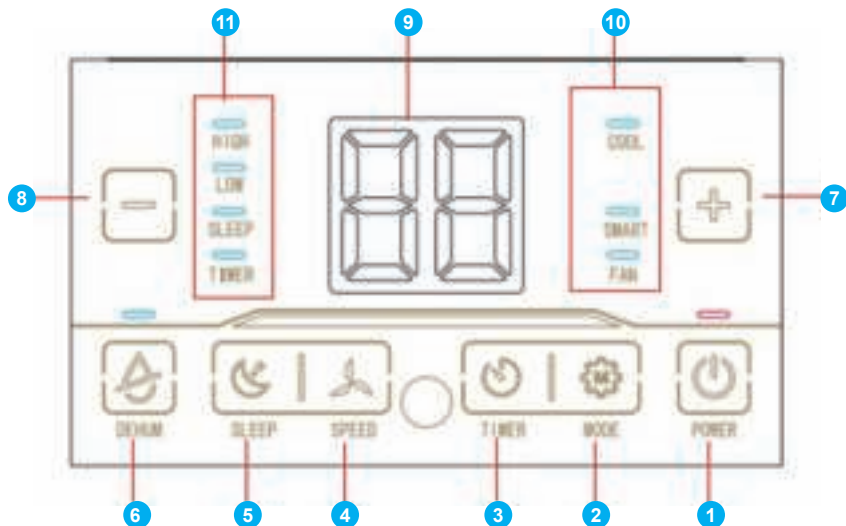


6) Pas de lengte van de flexibele slang **A** aan en voorkom bochten. Plaats het apparaat dicht bij een stopcontact.



7) Stel de ventilatieopening bij de luchtuitlaat af. Het apparaat is nu klaar voor gebruik.

Digitaal bedieningspaneel



DIGITAAL BEDIENINGSPANEEL:

- | | |
|----------------------------|-----------------------------------|
| 1 AAN-/UIT-toets | 7 Verhogen (temperatuur en timer) |
| 2 Modustoets | 8 Verlagen (temperatuur en timer) |
| 3 Timer-toets | 9 Display (temperatuur en timer) |
| 4 Toets VENTILATORSNELHEID | 10 LED-indicatielampje modus |
| 5 Toets standby-modus | 11 LED-indicatielampje functie |
| 6 Ontvochtigingstoets | |

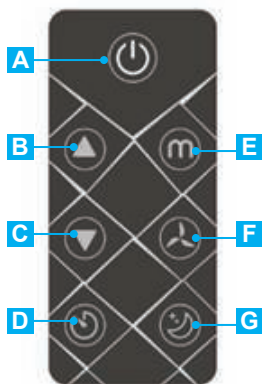
Afstandsbediening

De afstandsbediening is voorzien van een vooraf geïnstalleerde lithium CR2025-batterij. Verwijder het beschermplasje om de batterij van de afstandsbediening te activeren.

Plaatsen / vervangen van de batterij van de afstandsbediening:

- 1) Druk op de veiligheidsvergrendeling.
- 2) Trek het batterijvakje naar buiten en verwijder de oude batterij.
- 3) Plaats een nieuwe CR2025-batterij in het batterijvakje en let daarbij op de aangegeven polariteit (+/-).
- 4) Plaats het batterijvakje terug in de sleuf.





AFSTANDBEDIENING:

- A** AAN-/UIT-toets
- B** Verhogen
- C** Verlagen
- D** Timer
- E** Modus
- F** VENTILATORSNELHEID
- G** Standby-modus

Modi

IN-/UIT-schakelen

Druk op de aan-/uit-toets op het apparaat **1** of op de afstandsbediening **A**

Wanneer u het apparaat voor de eerste keer inschakelt, start het automatisch in de **SMART**-modus.

Wanneer u het apparaat inschakelt wanneer het al eerder is ingeschakeld, start het apparaat in de laatst geselecteerde modus.

Gebruiksmodus

Het apparaat heeft 5 instelbare functies: Koelen – Smart – Ventileren – Ontvochtigen - Slaapstand.

Druk op de modustoets op het apparaat **2** of op de afstandsbediening **E** om de gewenste modus te selecteren.

Koelmodus

Druk op de modustoets op het apparaat **2** of op de afstandsbediening **E** tot het LED-indicatielampje **KOELEN** **10** op het digitale bedieningspaneel oplicht.

Selecteer de gewenste temperatuur door op de toets verhogen **7** of verlagen **8** op het apparaat te drukken.

Of selecteer de gewenste temperatuur door op de toets verhogen **B** of verlagen **C** op de afstandsbediening te drukken.

De temperatuur kan worden ingesteld tussen 16°C en 32°C.

Let op! Het apparaat stopt automatisch met koelen wanneer de kamertemperatuur lager is dan de geselecteerde temperatuur!

VENTILATORSNELHEID

Druk herhaaldelijk op de toets voor de VENTILATORSNELHEID op het apparaat **4** of op de afstandsbediening **F** tot de gewenste VENTILATORSNELHEID is geselecteerd. Er zijn 2 VENTILATORSNELHEDEN die u kunt kiezen: hoge snelheid en lage snelheid.

Wanneer u op de gewenste VENTILATORSNELHEID drukt, geeft het LED-display **11** de geselecteerde snelheid aan.

Om de richting van de luchtstroom te regelen, stelt u de ventilatieopening in de luchtuitlaat **3** met de hand in.

VENTILATOR-modus

U kunt uw kamer ventileren. In deze modus wordt de lucht gecirculeerd, waardoor het gevoel van een 'briesje' ontstaat, terwijl de kamer niet wordt gekoeld.

Druk op de modustoets op het apparaat **2** of op de afstandsbediening **E** tot het LED-indicatielampje van de VENTILATOR **10** op het digitale bedieningspaneel gaat branden.

U kunt het gewenste VENTILATORSNELHEID selecteren zoals beschreven in 'VENTILATORSNELHEID'

Ontvochtigingsmodus

Druk op de modustoets op het apparaat **2** of op de afstandsbediening **E** tot het LED-indicatielampje van ONTVOCHTIGEN gaat branden.

In deze modus kan de VENTILATORSNELHEID niet worden geselecteerd en staat deze in de standaardinstelling voor lage snelheid.

Let op!

In de ontvochtigingsmodus moet de drainageslang **F worden aangesloten op de drainageopening **8** om het condenswater te verwijderen.**

Zie 'Drainage' voor de aansluitinstructies.

Smart-modus

In de smart-modus worden de KOEL- en VENTILATOR-modus automatisch geregeld, afhankelijk van de kamertemperatuur.

Druk op de modustoets op het apparaat **2** of op de afstandsbediening **E** tot het LED-indicatielampje van **SMART** **10** op het digitale bedieningspaneel gaat branden.

Zodra de Smart-modus is geselecteerd, wordt de modus geactiveerd in de standaardinstelling van 23°C

Bij een temperatuur van $\geq 24^{\circ}\text{C}$ werkt het apparaat in de koelmodus.

Bij een temperatuur tussen 22°C en 24°C werkt het apparaat in de ventilatormodus.

Wanneer u overschakelt van de **KOEL**-modus naar de **SMART**-modus, werkt deze op het aantal graden dat is ingesteld in de koelmodus. In de Smart-modus kan de temperatuur niet worden ingesteld.

Slaapmodus

De slaapmodus kan worden geactiveerd in de koelmodus.

Na 1 uur wordt de vooraf ingestelde temperatuur met 1°C verhoogd. Na nog eens een uur wordt de vooraf ingestelde temperatuur weer met 1°C verhoogd (toename van maximaal 2 graden).

Druk op de modustoets op het apparaat **2** of op de afstandsbediening **E** tot het LED-indicatielampje van **SLAAP** **11** op het digitale bedieningspaneel gaat branden.

Instelling van de timer

De timer kan worden ingesteld van 1 tot 24 uur.

Er zijn 2 timermodi: het apparaat UIT-schakelen en IN-schakelen.

Timer UIT-schakelen (wanneer de voeding is **INGESCHAKELD**)

- Druk op de TIMER-toets op het apparaat **3** of op de afstandsbediening **D** tot het LED-indicatielampje **11** van de TIMER op het digitale bedieningspaneel gaat branden.

- Druk op de toets verhogen **7** of verlagen **8** op het apparaat of op de toets verhogen **B** of verlagen **C** op de afstandsbediening om de vertraging van de timer UIT te

schakelen. Elke keer dat u erop drukt, wordt de tijd met één uur verhoogd of verlaagd. De geselecteerde tijd wordt aangegeven op het display 9.

Timer IN-schakelen (wanneer de voeding is **UITGESCHAKELD**)

- Druk op de TIMER-knop op het apparaat 3 of op de afstandsbediening D tot het LED-indicatielampje 11 van de **TIMER** op het digitale bedieningspaneel gaat branden.
- Druk op de toets verhogen 7 of verlagen 8 op het apparaat of op de toets verhogen B of verlagen C op de afstandsbediening om de vertraging van de timer UIT te schakelen. Elke keer dat u erop drukt, wordt de tijd met één uur verhoogd of verlaagd. De geselecteerde tijd wordt aangegeven op het display 9.

De instelling van de timer annuleren

Om de instelling van de timer te annuleren, drukt u op de toets verhogen 7 of verlagen 8 op het apparaat of op de toets verhogen B of verlagen C op de afstandsbediening, totdat op het display 9 **OO** wordt weergegeven.

Automatisch ontdooien

Bij een lage kamertemperatuur kan tijdens het gebruik bij de verdamer ijs worden gevormd.

Het apparaat begint in dat geval automatisch met ontdooien, en het LED-indicatielampje van de **AAN-/UIT**-toets 1 begint te knipperen.

Wanneer het apparaat in de koel-, smart- (in de smart-modus kan het apparaat ook koelen) of ontvochtigingsmodus staat, detecteert de sensor voor de omgevingstemperatuur de temperatuur van de spoel van de verdamer. Als deze temperatuur lager is dan -1°C , stopt de compressor. Na ongeveer 10 minuten of wanneer de temperatuur van de spoel $\geq 7^{\circ}\text{C}$ is, begint het apparaat weer te koelen.

Bescherming tegen overbelasting

Bij stroomuitval of een stroomstoring duurt het 3 minuten tot de compressor weer start.

Zelf-verdampingssysteem

Het zelf-verdampingssysteem gebruikt het verzamelde water om de condensorspoelen te koelen, waardoor de werking van het apparaat efficiënter wordt. Het waterreservoir hoeft bij het koelen niet te worden geleegd.

Het condenswater wordt afgevoerd via de luchtafvoer 5 en de daarop aangesloten afvoerslang A.

Het apparaat moet naar de buitenlucht worden geventileerd, zodat de (hete) afvoerlucht en het vocht worden afgevoerd buiten de ruimte die wordt gekoeld.

Afvoer

Voor continue of onbewaakte werking, sluit u de drainageslang F aan op de drainageopening 8 van het apparaat.

Op deze manier kan condenswater in een emmer of afvoerput stromen (door zwaartekracht).

- Schakel het apparaat uit
- Verwijder de drainageplug uit de drainageuitlaat
- Berg de plug op een veilige plaats op.

- Plaats de drainageslang over de drainageuitlaat
- Zorg ervoor dat de drainageslang niet geknikt is en vrij is van obstakels
- Plaats de drainageslang in een emmer of afvoerput en zorg ervoor dat het water naar buiten kan stromen
- Dompel het uiteinde van de slang niet onder in water, omdat dit een 'luchtvergrendeling' in de drainageslang kan veroorzaken



Verwijder de rubberen afdichtplug



Doorlopende drainageslang
(Binnendiameter=11mm)

Om morsen van water te voorkomen; Moet u de drainageslang naar beneden richten naar de vloer, op een hoek van ongeveer 20 graden, omdat de negatieve druk van de drainagebak voor condensaatwater groot is. Moet u de drainageslang rechttrekken om te voorkomen dat er een bocht in de slang ontstaat.

4) REINIGING EN ONDERHOUD

Waarschuwing

Voordat u het apparaat gaat reinigen moet u het altijd uitschakelen en de stekker uit het stopcontact halen.

Reinigen van de luchtfilters

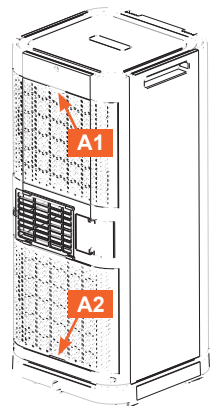
Het is raadzaam het luchtfilter om de 2 weken te reinigen wanneer u het apparaat gebruikt. Op de filters verzamelt zich stof, waardoor de luchtstroom wordt beperkt en de efficiëntie wordt verminderd. Hierdoor kan het apparaat zelfs worden beschadigd. Het apparaat heeft 4 luchtfilters; 2 aan de achterkant en twee aan de zijkant.

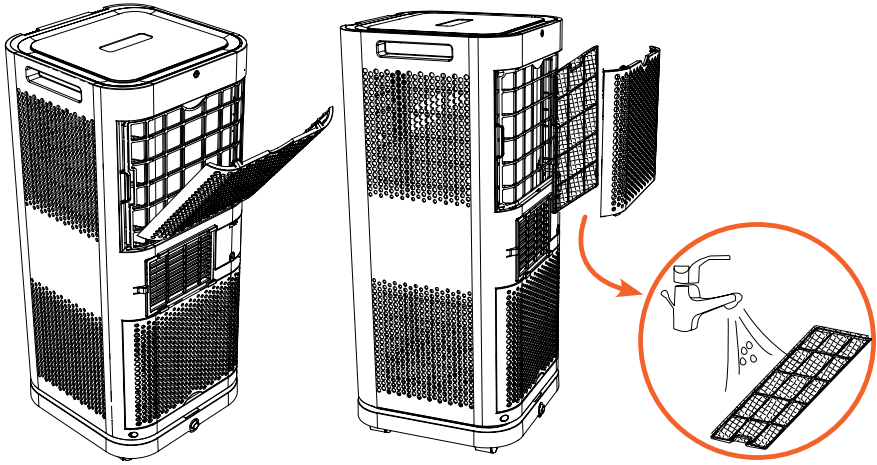
Het luchtfilter moet regelmatig worden gereinigd. Het kan worden verwijderd zodat het makkelijk kan worden gereinigd.

Waarschuwing! Gebruik het apparaat niet zonder geïnstalleerd luchtfilter! Hierdoor kan de verdampers vervuild raken.

ACHTERFILTERS

- Haal de stekker uit het stopcontact.
- Trek het achterpaneel (A1) en (A2) uit het apparaat.
- Verwijder het achterpaneel van het filter om toegang te krijgen tot het filter.
- Verwijder de filterzeef uit het achterpaneel.
- Gebruik een schone doek om het stof op het oppervlak van de filterzeef op te nemen. Als het filter erg vuil is, gebruik dan kraanwater om het filter af te spoelen. Droog het filter goed voordat u het weer in het apparaat plaatst.

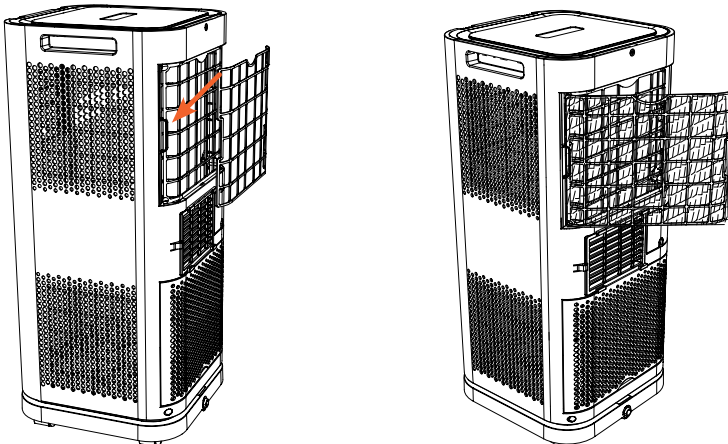
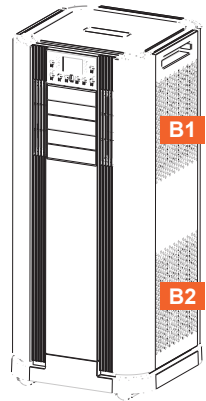




⚠ Waarschuwing! Raak het oppervlak van de verdamer niet met blote handen aan. Kans op letsel!

ZIJFILTERS

- Haal de stekker uit het stopcontact.
- De zijfilters zijn alleen toegankelijk als de bovenste achterpanelen van het apparaat zijn verwijderd!
- Trek de achterpanelen (A1) en (A2) uit het apparaat om toegang te krijgen tot de zijfilters, zoals hierboven beschreven.
- Schuif de zijfilters langzaam uit het apparaat.
- Verwijder het filter uit het apparaat.
- Verwijder de filterzeef uit het apparaat.
- Gebruik een schone doek om het stof op het oppervlak van de filterzeef op te nemen. Als het filter erg vuil is, gebruik dan kraanwater om het filter af te spoelen. Droog het filter volledig voordat u het weer in het apparaat plaatst.



Het apparaat reinigen

- Gebruik nooit agressieve of schurende materialen, reinigingsalcohol of scherpe voorwerpen zoals harde borstels of messen.
- Reinig de behuizing van het apparaat met een vochtige doek.
- Droog de behuizing daarna met een droge doek.

Let op:

- **Het apparaat mag niet worden ondergedompeld in water.**

5) OPLOSSEN VAN PROBLEMEN

Probleem	Inspectie	Oplossing	
Het apparaat werkt niet	√ Controleer de stekkeraansluiting.	Steek het stekker goed in het stopcontact.	
	√ Controleer of het indicatielampje van het waterniveau brandt.	Leeg het waterreservoir (drainage) en plaats het weer terug.	
	√ Controleer de kamertemperatuur.	Het bereik van de bedrijfstemperatuur is 5 - 35°C.	
Het apparaat koelt niet, zoals ingesteld	√ Controleer de luchtfilters op vuil.	Reinig het luchtfilter.	
	√ Controleer of de luchtafvoer verstopt is.	Verwijder eventuele obstakels.	
	√ Controleer of de kamertemperatuur te laag of te hoog is.	Dat is normaal. Laat het apparaat langer afkoelen wanneer het voor het eerst is ingeschakeld.	
	√ De ingestelde temperatuur is hoger/lager dan de huidige temperatuur.	Stel de juiste temperatuur in, zoals aangegeven in de handleiding.	
Lekkage van water	√ Overstroming tijdens het verplaatsen van het apparaat.	Leeg het waterreservoir (drainage) voordat u het apparaat vervoert.	
	√ Controleer of de drainageslang geknikt of verbogen is.	Trek de drainageslang recht om de vorming van een bocht te voorkomen.	
Overmatig lawaai	√ Controleer of het apparaat goed is geplaatst.	Plaats het apparaat op een horizontale en stevige ondergrond.	
	√ Controleer het apparaat op losse of trillende onderdelen.	Zet de onderdelen goed vast.	
	√ Het lawaai klinkt als stromend water.	Het lawaai wordt veroorzaakt door stromend koelmiddel. Dat is normaal.	
Foutcodes	E0	Communicatiestoringen tussen de hoofdprintplaat van het apparaat en het display.	Neem contact op met de verkoper.
	E1	Storing temperatuur-sensor	Neem contact op met de verkoper.
	E2	Vochtigheidssensor is vochtig of defect.	Neem contact op met de verkoper.
	Ft	Alarmmelding hoog niveau condenswater.	Leeg de drainagebak door de rubberen plug uit de drainageopening te verwijderen.

5) SPECIFICATIES

- Invoerspanning: 220 - 240 V AC – 50 Hz
- Klasse: I
- Nominaal ingangsvermogen koeling: 950W/4,3A
- Type en waarde zekering: T-type, 250 V AC, 3,15A
- Koelvermogen: 9.000 BTU
- Geluidsniveau: ≤ 65 dB(A)
- Maximale hoeveelheid koelmiddel: R290/200g
- Maximale werkdruk aan afzuig-/afvoerszijde: 0,7 Mpa/3,2Mpa
- Minimale kamerafmeting: 10 m² (vloeroppervlak)
- Afmetingen: 74 x 32 x 32 cm (H x D x B)
- Gewicht: 25,5 Kg

6) OPSLAG EN TRANSPORT

- Voordat u het apparaat opbergt, moet u het eerst reinigen zoals beschreven in deze gebruikershandleiding.
- Draineer het resterende water.
- De verdamping in het apparaat moet goed zijn opgedroogd.
- Berg het apparaat op in de oorspronkelijke verpakking en in een verticale positie.
- Berg het apparaat op in een ruimte zonder continu werkende warmtebronnen, zoals open vuur, op gas werkende apparaten of gaskachels.
- Berg het apparaat altijd op in een droge, goed geventileerde ruimte, buiten bereik van kinderen.
- Bescherm het apparaat tijdens transport tegen trillingen en schokken.

Alle in deze handleiding vermelde informatie en specificaties kunnen zonder voorafgaande kennisgeving worden gewijzigd.

INSTRUCTIES VOOR DE BESCHERMING VAN HET MILIEU

(AEEA, de richtlijn voor afgedankte elektrische en elektronische apparatuur)



Dit product is vervaardigd van kwalitatief hoogwaardige materialen en onderdelen die gerecycled en opnieuw gebruikt kunnen worden. Aan het eind van de levensduur van dit product, mag het niet worden meegegeven met het normale huishoudelijk afval, maar moet het naar een speciaal inzamelpunt worden gebracht voor het recyclen van elektrische en elektronische apparatuur. Dit wordt in de handleiding en op de verpakking weergegeven door de afvalcontainer met een kruis erdoor. De gebruikte grondstoffen kunnen worden gerecycled.

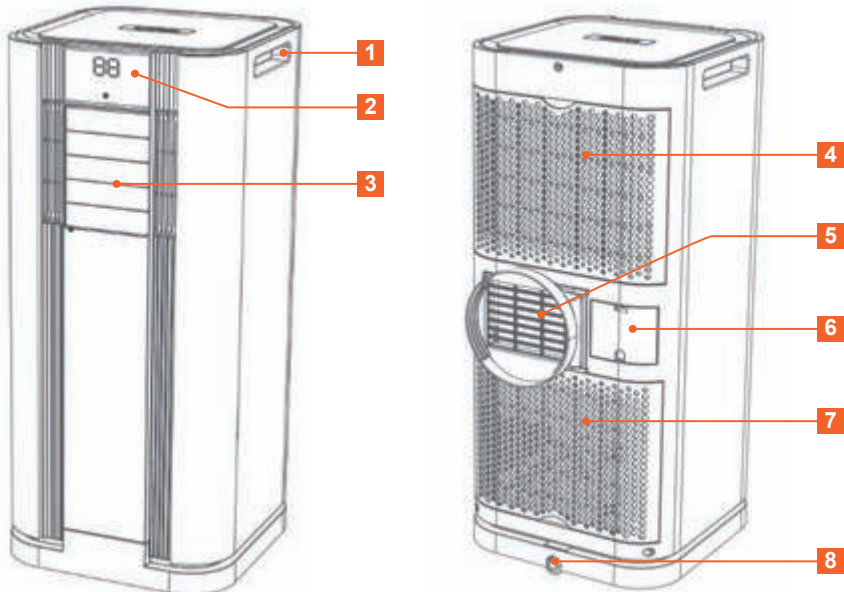
Door het recyclen van gebruikte apparatuur of grondstoffen, speelt u een belangrijke rol bij de bescherming van het milieu. U kunt bij de gemeente informeren waar het dichtstbijzijnde inzamelpunt is.

SOMMAIRE :

- 1) Parties & caractéristiques
- 2) Instructions de sécurité
- 3) Installation et utilisation de l'appareil
- 4) Nettoyage et maintenance
- 5) Spécifications
- 6) Stockage & transport

1) PARTIES & CARACTÉRISTIQUES

Appareil



Les images du produit peuvent être sujettes à des modifications sans préavis.

CÔTÉ AVANT:

- 1 Poignées de transport
- 2 Écran de commande numérique
- 3 Sortie d'air - ajustable

CÔTÉ ARRIÈRE:

- 4 Entrée d'air (avec filtre à air)
- 5 Évacuation d'air
- 6 Boîte de rangement cordon d'alimentation
- 7 Entrée d'air (avec filtre à air)
- 8 Ouverture de vidange avec bouchon étanche

Accessoires



A



B



C



D



E



F

ACCESSOIRES:

- A** Tuyau d'évacuation
- B** Adaptateur tuyau appareil
- C** Adaptateur tuyau fenêtre
- D** Télécommande
- E** Kit fenêtre
- F** Tuyau de vidange



2) INSTRUCTIONS DE SÉCURITÉ

Toujours observer les précautions de base suivantes avant d'utiliser le Climatiseur mobile 9000 BTU (appelé par la suite « l'appareil »)



Lire attentivement le manuel d'utilisation avant l'utilisation.



Le personnel de service doit lire attentivement le manuel d'utilisation et le manuel d'entretien.

Des informations supplémentaires sont disponibles dans le manuel d'utilisation et le manuel d'entretien.



L'appareil contient du gaz réfrigérant R290 respectueux de l'environnement.

Le gaz R290 est inflammable. Par conséquent, des précautions spéciales doivent être observées en raison de la grande inflammabilité du liquide de réfrigération utilisé dans l'appareil.

Si l'appareil fuit et entre en contact avec du feu ouvert ou des pièces chauffantes, un gaz nocif est généré, entraînant un risque d'incendie.

Informations générales

- Lire attentivement les instructions pour l'utiliser et l'entreposer dans un lieu sûr. Si cet appareil est cédé à une autre personne, lui transmettre aussi ce manuel d'utilisation.
- Utiliser cet appareil conformément aux instructions de ce manuel d'utilisation.
- Ne pas exposer l'appareil à des contraintes mécaniques.
- Manipuler l'appareil avec précaution. Tout choc, heurt ou chute, même de faible hauteur, peut endommager l'appareil.
- Avant l'utilisation, vérifier si l'appareil ne présente pas de dommages externes visibles. Ne jamais faire fonctionner l'appareil s'il est endommagé.
- La garantie sera immédiatement annulée si les dommages sont causés par le non-

respect du manuel d'utilisation. Le fabricant décline toute responsabilité pour les dommages causés par le non-respect du manuel d'utilisation, une utilisation négligente ou une utilisation qui ne respecte pas les conditions du manuel d'utilisation.

- Tenir l'appareil hors de portée des enfants et animaux domestiques.
- Tenir l'appareil hors de portée des enfants car cet appareil n'est pas un jouet et doit être surveillé pour éviter que les enfants ne l'utilisent comme jouet.
- Tenir l'appareil hors de portée des enfants de moins de 8 ans.
- Surveiller de près les enfants pour éviter qu'ils n'utilisent l'appareil comme un jouet.
- Cet appareil peut être utilisé par les enfants de 8 ans et plus et les personnes ayant des capacités physiques, sensorielles ou mentales réduites ou un manque d'expérience et de connaissances, à condition qu'ils soient surveillés et qu'ils aient reçu les instructions nécessaires pour utiliser l'appareil en toute sécurité et qu'ils soient conscients des risques possibles.
- Ne pas permettre à des enfants sans surveillance de nettoyer ou entretenir cet appareil.
- Toujours débrancher la fiche de la prise de courant :
 - o avant de déplacer l'appareil ;
 - o avant de ranger l'appareil ;
 - o avant de nettoyer ou entretenir l'appareil ;
 - o après l'utilisation de l'appareil.
- Faire uniquement réparer l'appareil par un centre de service qualifié. Centre de service qualifié : service après-vente du fabricant ou magasin, qui est reconnu et autorisé à effectuer des réparations pour prévenir les éventuels dangers. Si l'appareil présente des problèmes, le retourner à ce service.
- Cet appareil est destiné à un usage domestique ou similaire, et pas à un usage professionnel.



• **AVERTISSEMENT !** Pour réduire les risques d'incendie ou de choc électrique, connecter directement l'appareil à une prise murale à trois broches avec mise à la terre.

- Le niveau de pression acoustique pondéré A est inférieur à 55 dB.
- Ne pas incliner l'appareil.
- Garder les entrées et sorties d'air libres de toute obstruction.
- N'insérer aucun objet étranger dans l'appareil.
- N'insérer aucun objet ou les doigts dans la sortie d'air de l'appareil.
- Ne pas toucher l'entrée d'air ou les ailettes en aluminium de l'appareil.
- Ne pas s'asseoir ou grimper sur l'appareil.
- Ne placer ni installer aucun objet sur l'appareil.
- L'appareil doit être stocké dans une pièce sans sources opérationnelles continues (telles que des flammes nues, des appareils fonctionnant au gaz ou des chauffages au gaz)
- La tuyauterie doit être protégée de dommages physiques et ne pas être installée dans un espace non ventilé, si celui-ci est inférieur à 10 m².



• **AVERTISSEMENT !** Ne pas laisser trainer le matériel d'emballage. Celui-ci pourrait être dangereux pour les jeux d'enfants. **Risque de suffocation !**

Électricité et chaleur

• Avant l'utilisation, vérifier si la tension secteur est identique à la tension secteur indiquée sur l'appareil.



• **AVERTISSEMENT !** Ne brancher rien d'autre sur le même circuit électrique ou sur la même prise de courant. En cas de doute que votre maison réponde à ces spécifications,

consulter un électricien certifié avant l'utilisation de cet appareil. Risque d'incendie, surchauffe, dysfonctionnement, dommages matériels, blessures ou même la mort peuvent résulter du non-respect de ces instructions !

- Brancher UNIQUEMENT sur une prise de courant à trois broches mise à la terre, qui est facilement accessible à tout moment.
- Ne pas brancher l'appareil sur des rallonges, parasurtenseurs, minuteriers, disjoncteurs directs ou une prise de courant avec d'autres appareils branchés sur la même prise de courant. Risque d'incendie, surchauffe, dysfonctionnement, dommages matériels, blessures ou même la mort peuvent résulter du non-respect de ces instructions !
- Ne pas utiliser l'appareil en plein air. Une exposition aux éléments extérieurs tels que pluie, neige, soleil, vent ou températures extrêmes peut entraîner un risque pour la sécurité.



• AVERTISSEMENT ! NE PAS COUVRIR : Ne pas laisser pénétrer d'objets quelconques dans les bouches d'aération, d'entrée ou d'évacuation d'air, et ne jamais recouvrir l'appareil de tissus, rideaux ou autres matières, car cela pourrait provoquer un choc électrique, surchauffer, incendier ou endommager l'appareil.

- S'assurer d'avoir les mains sèches avant de toucher l'appareil ou la fiche.
- Ne pas utiliser l'appareil si la fiche est endommagée, s'il est défectueux, s'il est tombé ou s'il a été endommagé de façon quelconque. Envoyer l'appareil au fabricant ou centre de service qualifié le plus proche pour inspection ou réparation.
- Brancher uniquement l'appareil sur une prise de courant facilement accessible, pour pouvoir rapidement en retirer la fiche en cas d'urgence.
- L'appareil doit uniquement être alimenté en branchant la fiche sur la prise de courant.
- Ne pas utiliser de rallonges ou de multiprises pour alimenter l'appareil.
- Lorsque la fiche est branchée, faire attention à ce que personne ne puisse tirer accidentellement ou trébucher sur le cordon.
- S'assurer que le cordon d'alimentation ne puisse pas être piétiné ou coincé.
- Pour retirer la fiche de la prise de courant, tirer sur la fiche et pas sur le cordon.
- Ne pas laisser pendre le cordon d'alimentation par-dessus des bords tranchants, et le garder éloigné d'objets chauds et de flammes nues.
- Ne pas déplacer ou ranger l'appareil avant qu'il ait refroidi.
- Éteindre l'appareil et retirer la fiche de la prise de courant si vous constatez des défauts ou des dommages pendant l'utilisation, si l'appareil n'est pas utilisé ou lorsque vous le nettoyez.
- Ne pas écraser, percer ou démonter l'appareil, cela pourrait endommager l'appareil.
- Débrancher l'appareil de la prise de courant lors d'orages ou lorsque l'appareil n'est pas utilisé pendant de longues périodes.
- Ne pas faire fonctionner l'appareil à l'aide d'une minuterie externe ou d'un système de télécommande séparé.
- Avant de nettoyer l'appareil, toujours le débrancher de la prise de courant.
- Ne pas ouvrir le boîtier car cela pourrait provoquer un choc électrique.
- Ne jamais immerger l'appareil dans l'eau ou tout autre liquide, pour éviter le risque de chocs électriques. Ne pas toucher l'appareil s'il est tombé à l'eau. Retirer la fiche de la prise de courant, éteindre l'appareil et ne plus l'utiliser.
- S'assurer que l'appareil et le cordon d'alimentation n'entrent pas en contact avec des sources de chaleur, telles qu'une plaque de cuisson brûlante ou une flamme nue.



• AVERTISSEMENT ! Pour réduire le risque d'incendie ou de choc électrique,

protéger l'appareil de ruissellement ou d'éclaboussures d'eau, et le tenir à l'écart d'objets remplis de liquides, tels que des vases. De tels objets ne doivent pas être placés sur l'appareil ou à proximité.

Informations importantes, toujours observer ces instructions pour votre sécurité

- Cet appareil peut être utilisé par les enfants de 8 ans et plus et les personnes ayant des capacités physiques, sensorielles ou mentales réduites ou un manque d'expérience et de connaissances, à condition qu'ils soient surveillés ou qu'ils aient reçu les instructions nécessaires pour utiliser l'appareil en toute sécurité et qu'ils soient conscients des risques possibles. Les enfants ne doivent pas jouer avec l'appareil. Le nettoyage et la maintenance ne doivent pas être effectués par des enfants, à moins qu'ils aient plus de 8 ans et qu'ils soient sous la surveillance d'un adulte.

- Utiliser l'appareil uniquement à l'intérieur, en lieux secs et pas à proximité d'eau ou d'autres liquides.



• AVERTISSEMENT ! Cet appareil NE DOIT PAS être utilisé dans la salle de bains, les buanderies ou d'autres endroits humides dans la maison.

- Ne jamais immerger l'appareil dans de l'eau ou tout autre liquide. Cela peut provoquer un choc électrique fatal !

- Éteindre l'appareil et retirer la fiche de la prise de courant lorsque l'appareil n'est pas utilisé ou lorsqu'il est nettoyé.

- Vérifier régulièrement si l'appareil n'est pas endommagé.

- Ne jamais utiliser l'appareil si la fiche est endommagée, si l'appareil est tombé par terre ou s'il présente d'autres dommages. En ce cas, présenter l'appareil à un expert pour inspection et le faire réparer si nécessaire.

- Ne jamais permettre à des enfants d'utiliser l'appareil sans surveillance. Les enfants ne peuvent pas estimer les risques liés à une utilisation incorrecte d'appareils électriques.

- Les enfants se trouvant à proximité de l'appareil doivent toujours être surveillés par un adulte.

- Ne jamais laisser l'appareil sans surveillance lorsqu'il est en cours d'utilisation.

- Tenir les entrées d'air de l'appareil propres afin qu'elles ne soient pas obstruées par de la poussière ou d'autres particules, pour éviter ainsi la surchauffe et le dysfonctionnement.

- Si l'appareil a été incliné à plus de 45 °, le laisser debout pendant au moins 24 heures avant de l'utiliser.

- La boucle de réfrigérant (remplie de gaz R290) est scellée. Ne pas essayer de l'ouvrir. Seuls les centres de service qualifiés peuvent effectuer des inspections ou des réparations.

- Ne pas rejeter le réfrigérant dans l'atmosphère.

- Le gaz R290 (propane) est inflammable et plus lourd que l'air. Il s'accumule d'abord dans les zones basses, mais peut être dispersé par circulation de l'air.

- Le gaz R290 (propane) utilisé dans l'appareil est inodore

- L'absence d'odeur ne signifie pas qu'aucun gaz ne s'est échappé.



• AVERTISSEMENT ! En cas de détection d'une fuite de gaz, évacuer immédiatement toutes personnes et animaux de la pièce, ventiler la pièce, contacter les pompiers locaux et expliquer qu'il y a une fuite de propane.

- Ne laisser aucune personne entrer dans la pièce avant qu'elle n'ait été déclarée sûre.

- Aucune flamme nue, cigarette ou autre source possible d'inflammation ne doit être utilisée à l'intérieur ou à proximité de l'appareil. Risque d'incendie !

- Les pièces sont conçues pour le propane et ne sont ni inflammables ni étincelantes. Les

composants doivent uniquement être remplacés par des pièces identiques par des centres de service qualifiés.

- Ne pas utiliser de moyens pour accélérer le processus de dégivrage ou des agents de nettoyage, autres que ceux recommandés par le fabricant.



Manuel d'entretien / précautions de sécurité lors de l'entretien

Les réparations doivent être effectuées par un centre de service qualifié. Centre de service qualifié : service après-vente du fabricant ou magasin, qui est reconnu et autorisé à effectuer des réparations, afin de prévenir d'éventuels dangers.

Veillez respecter ces avertissements en effectuant les actions suivantes lors de l'entretien d'un appareil avec R290.

Vérification de la zone.

Avant de commencer à travailler sur des systèmes contenant des réfrigérants inflammables, des contrôles de sécurité sont nécessaires pour s'assurer que le risque d'inflammation soit minimisé. Pour des réparations du système de réfrigération, les précautions suivantes doivent être respectées avant d'effectuer des travaux sur le système.

Procédure de travail

Les travaux doivent être effectués selon une procédure contrôlée, afin de minimiser le risque de présence de gaz ou de vapeur inflammable pendant l'exécution des travaux.

Zone de travail générale

Tout le personnel de maintenance et les autres personnes travaillant dans la zone doivent être informés de la nature des travaux effectués. Le travail dans des espaces restreints doit être évité. La zone entourant le lieu de travail doit être segmentée. S'assurer que les conditions dans la zone aient été sécurisées en contrôlant les matériaux inflammables.

Contrôle de la présence de réfrigérant

La zone doit être contrôlée à l'aide d'un détecteur de réfrigérant approprié avant et pendant les travaux, pour s'assurer que le technicien soit conscient d'atmosphères potentiellement inflammables. S'assurer que l'équipement de détection de fuite utilisé soit adapté à une utilisation avec des réfrigérants inflammables, c'est à dire non étincelant, correctement scellé ou intrinsèquement sûr.

Présence d'un extincteur

Si des travaux à chaud doivent être effectués sur l'équipement de réfrigération ou sur toute pièce connexe, un équipement d'extinction d'incendie approprié doit être disponible. S'assurer d'avoir un extincteur à poudre sèche ou à CO₂ près de la zone de travail.

Aucune source d'inflammation

Toute personne effectuant des travaux en relation avec un système de réfrigération, impliquant l'exposition des tuyauteries contenant ou ayant contenu du réfrigérant inflammable, ne doit utiliser aucune source d'inflammation de telle manière qu'elle puisse entraîner un risque d'incendie ou d'explosion. Toute source d'inflammation possible, y compris le tabagisme, doit rester suffisamment éloignée du site des travaux d'installation, de réparation, de retrait et d'élimination, au cours desquels du réfrigérant inflammable peut éventuellement être libéré dans les environs. Avant l'exécution des travaux, la zone autour de l'équipement doit être inspectée pour s'assurer qu'il n'y ait pas de dangers inflammables ou de risques d'inflammation. Des panneaux « Interdiction de fumer » doivent être affichés.

Zone ventilée

S'assurer que la zone soit à l'air libre ou qu'elle soit bien ventilée avant d'entrer dans le système ou d'effectuer des travaux à chaud. Une certaine ventilation doit continuer d'exister pendant la période d'exécution des travaux. La ventilation doit disperser en toute sécurité tout réfrigérant libéré et, de préférence, l'expulser à l'extérieur dans l'atmosphère.

Contrôle de l'équipement de réfrigération

Lorsque des composants électriques sont modifiés, ils doivent être adaptés à l'usage prévu et avoir les spécifications correctes. À tout moment, les directives de maintenance et d'entretien du fabricant doivent être respectées. En cas de doute, consulter le service technique du fabricant pour obtenir de l'aide.

Les contrôles suivants doivent être appliqués aux installations utilisant des réfrigérants inflammables :

- La taille des travaux est conforme à la taille de la pièce dans laquelle les pièces contenant le réfrigérant sont installées.
- Les appareils et sorties de ventilation fonctionnent correctement et ne sont pas obstrués.
- Si un circuit de réfrigération indirect est utilisé, le circuit secondaire doit être vérifié quant à la présence de réfrigérant.
- Les marques sur l'équipement restent visibles et lisibles. Les marques et signes illisibles doivent être corrigés.
- Les tuyaux ou composants de réfrigération sont installés à un endroit où il est peu probable qu'ils soient exposés à une substance susceptible de corroder les composants contenant du réfrigérant, sauf si les composants sont construits en matériaux qui sont intrinsèquement résistants à la corrosion ou sont convenablement protégés contre la corrosion.

Contrôle des appareils électriques

La réparation et maintenance de composants électriques doivent comprendre des contrôles de sécurité initiaux et des procédures d'inspection des composants. En cas d'un défaut qui pourrait compromettre la sécurité, aucune alimentation électrique ne doit être connectée au circuit tant qu'il n'aura pas été traité de manière satisfaisante. Si le défaut ne peut pas être réparé immédiatement, mais s'il est nécessaire de poursuivre le fonctionnement, une solution temporaire adéquate doit être utilisée. Cela doit être signalé au propriétaire de l'équipement, afin que toutes les parties soient informées.

Les contrôles de sécurité initiaux doivent comprendre :

- Les condensateurs sont déchargés : cela doit être fait de manière sûre pour éviter la possibilité d'étincelles.
- Aucun composant électrique et câblage sous tension n'est exposé pendant la charge, la réparation ou l'assainissement du système.
- Que la mise à la terre ne soit pas interrompue.

AVERTISSEMENT !

- Installer l'appareil dans des pièces dépassant 10 m².
- Ne pas installer l'appareil dans un endroit où des gaz inflammables peuvent fuir.

REMARQUE !

Le fabricant peut fournir d'autres exemples appropriés ou fournir des informations supplémentaires sur l'odeur du réfrigérant.

3) INSTALLATION ET UTILISATION DE L'APPAREIL

Première utilisation

Ouvrir l'emballage avec précaution avant d'en sortir l'appareil. S'assurer que l'appareil soit complet et en bon état. S'il y a des composants qui manquent ou qui sont endommagés, contacter le fournisseur et ne pas utiliser le produit. Conserver l'emballage ou le recycler conformément aux réglementations locales.

- Retirer tout matériau d'emballage de l'appareil.
- Nettoyer l'appareil avec un chiffon humide. Voir la section « Nettoyage et maintenance ».
- Continuer comme décrit dans la section « Utilisation de l'appareil ».

Utilisation de l'appareil

Placer l'appareil sur une surface ferme et solide, dans une zone avec au moins 50 cm d'espace libre autour de l'appareil, générant une bonne circulation d'air.

Ne pas utiliser l'appareil à proximité de murs, rideaux ou autres objets qui pourraient bloquer l'entrée d'air **4** & **7** et la sortie d'air **3**, entraînant une mauvaise circulation de l'air.

A **AVERTISSEMENT ! Si l'appareil a une position inclinée de plus de 45 °, le laisser debout pendant au moins 24 heures avant de l'utiliser.**

S'assurer que l'appareil n'entre pas en contact avec des sources de chaleur, telles qu'un radiateur, une plaque de cuisson brûlante ou des flammes nues.

S'assurer que l'appareil ne soit pas exposé à la lumière directe du soleil.

Installer l'appareil dans des pièces de plus de 10 m².

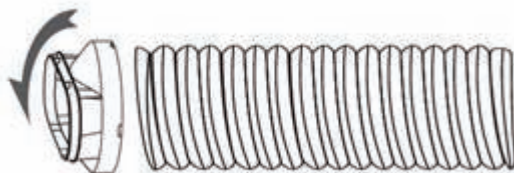
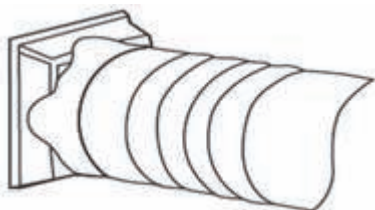
Attacher le tuyau d'évacuation

L'appareil nécessite une ventilation vers l'extérieur, de sorte que l'air (chaud) et l'humidité puissent être évacués hors de la pièce qui est refroidie.

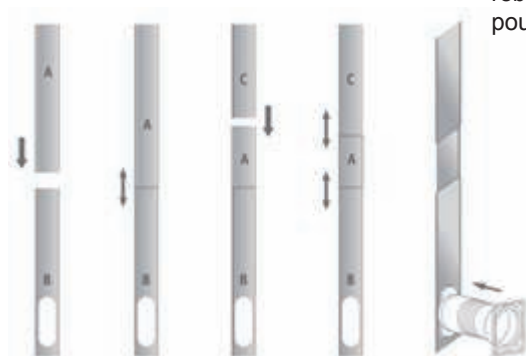
Ne pas remplacer ou rallonger le tuyau d'évacuation, car cela réduirait l'efficacité et pourrait automatiquement arrêter l'appareil en raison d'une faible contre-pression.

1) Connecter l'adaptateur du tuyau de l'appareil **B** à une extrémité du tuyau d'évacuation **A**

2) Connecter l'adaptateur du tuyau pour fenêtre **C** à l'autre extrémité du tuyau d'évacuation **A**



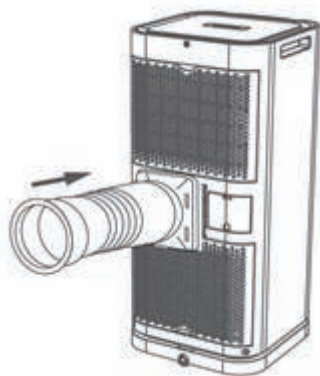
3) Étirer le kit fenêtre ajustable pour l'adapter à la longueur de la fenêtre. Connecter l'adaptateur du tuyau pour fenêtre **C** au kit fenêtre **E**



4) Fermer la fenêtre et s'assurer que le kit fenêtre soit bien et fermement placé. Si nécessaire, fixer le kit fenêtre avec du duct tape. L'espace entre le kit fenêtre et les rebords de la fenêtre doit être fermé / scellé pour une efficacité maximale.



5) Connecter l'adaptateur du tuyau de l'appareil **B** à la sortie d'évacuation d'air **5**

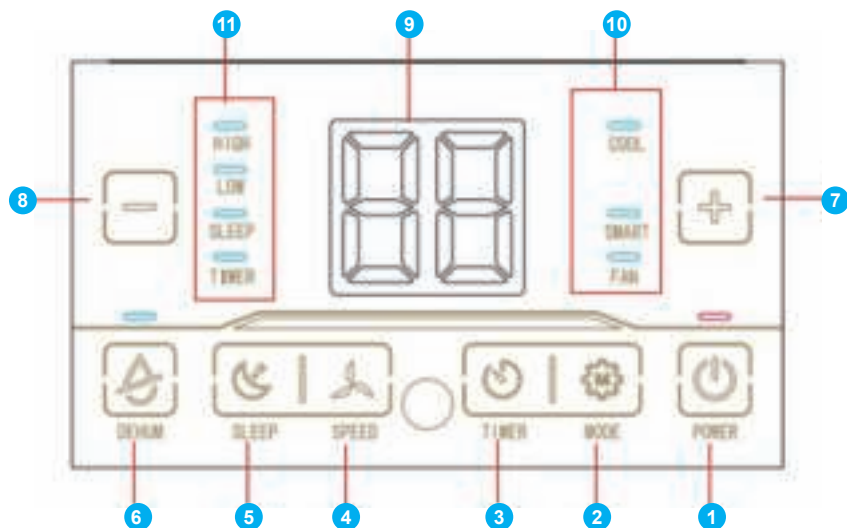


6) Ajuster la longueur du tuyau flexible **A** et éviter les coudes. Placer l'appareil à proximité d'une prise de courant.



7) Régler le volet de la sortie d'air, l'appareil est prêt à l'emploi.

Écran de commande numérique



ÉCRAN DE COMMANDE NUMÉRIQUE:

- | | |
|---------------------------------|---------------------------------------|
| 1 Bouton marche/arrêt | 7 Augmenter (température & minuterie) |
| 2 Bouton Mode | 8 Diminuer (température & minuterie) |
| 3 Bouton minuterie | 9 Écran (température & minuterie) |
| 4 Bouton vitesse de ventilateur | 10 Voyant LED de mode |
| 5 Bouton mode veille | 11 Voyant LED de fonction |
| 6 Bouton déshumidification | |

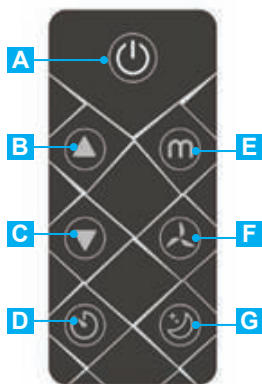
Télécommande

La télécommande a une pile lithium CR2025 pré-installée, Retirer la languette de protection pour activer la pile de la télécommande.

Insérer / remplacer la pile de la télécommande :

- 1) Enfoncer le levier de sécurité.
- 2) Sortir le support à pile et retirer la pile usagée.
- 3) Placer une nouvelle pile CR2025 dans le support à pile en respectant la polarité (+/-) indiquée.
- 4) Remettre le support à pile dans la fente.





TÉLÉCOMMANDE:

- A** Bouton marche/arrêt
- B** Augmenter
- C** Diminuer
- D** Minuterie
- E** Mode
- F** Vitesse de ventilateur
- G** Mode veille

Modes

Bouton marche/arrêt

Appuyer sur le bouton marche/arrêt de l'appareil **1** ou de la télécommande **A**.
Lorsque l'appareil est mis en marche pour la première fois, il démarrera automatiquement en mode **SMART**.

Lorsque l'appareil est mis en marche après avoir déjà fonctionné, il démarrera dans le dernier mode sélectionné.

Mode de fonctionnement

L'appareil dispose de 5 modes de fonctionnement prédéfinis : Refroidir – Smart – Ventilateur– Déshumidifier - Sommeil.

Appuyer sur le bouton de mode de l'appareil **2** ou de la télécommande **E** pour sélectionner le mode souhaité.

Mode de refroidissement

Appuyer sur le bouton de mode de l'appareil **2** ou de la télécommande **E** jusqu'à ce que le voyant LED **COOL 10** sur l'écran de commande numérique s'allume.

Sélectionner la température souhaitée en appuyant sur le bouton augmenter **7** ou diminuer **8** de l'appareil.

Ou sélectionner la température souhaitée en appuyant sur le bouton augmenter **B** ou diminuer **C** de la télécommande.

La température peut être réglée entre 16 °C et 32 °C.

Remarque ! L'appareil s'arrêtera de refroidir lorsque la température de la pièce descend en dessous de la température sélectionnée !

Vitesse de ventilateur

Appuyer plusieurs fois sur le bouton Vitesse de ventilateur de l'appareil **4** ou de la télécommande **F** pour sélectionner la vitesse voulue du ventilateur. Il y a 2 vitesses de ventilateur qui peuvent être sélectionnées : Haute vitesse & Basse vitesse.

Lorsque vous appuyez sur la vitesse de ventilateur souhaitée, l'écran LED **11** affiche la vitesse sélectionnée.

Pour contrôler la direction du flux d'air, ajuster manuellement les volets dans la sortie d'air **3**.

Mode de ventilation

Vous pouvez ventiler la pièce. Dans ce mode l'air est circulé, créant une « sensation de brise », mais la pièce ne sera pas refroidie.

Appuyer sur le bouton de mode de l'appareil **2** ou de la télécommande **E** jusqu'à ce que le voyant LED **FAN** **10** sur l'écran de commande numérique s'allume.

La vitesse du ventilateur peut être réglée comme décrit sous « Vitesse ventilateur ».

Mode de déshumidification

Appuyer sur le bouton de mode de l'appareil **2** ou de la télécommande **E** jusqu'à ce que le voyant LED **DEHUM** s'allume.

Pour ce mode, la vitesse du ventilateur ne peut pas être sélectionnée et sera par défaut réglée en basse vitesse.

Remarque !

En mode de déshumidification, le tuyau de vidange **F doit être connecté à l'ouverture de vidange **8** pour évacuer l'eau condensée.**

Voir sous « Vidange » pour les instructions de connexion.

Mode SMART

En mode SMART, les modes de refroidissement et de ventilation seront réglés automatiquement, en fonction de la température de la pièce.

Appuyer sur le bouton de mode de l'appareil **2** ou de la télécommande **E** jusqu'à ce que le voyant LED **SMART** **10** sur l'écran de commande numérique s'allume.

Une fois le mode SMART sélectionné, la température par défaut sera réglée à 23 °C

À une température de ≥ 24 °C, l'appareil fonctionne en mode de refroidissement.

À une température entre 22 °C et ≥ 24 °C, l'appareil fonctionne en mode de ventilation.

Lorsque vous passez du mode de refroidissement au mode **SMART**, il fonctionnera en mode SMART à la température définie en mode de refroidissement. La température ne peut pas être réglée en mode SMART.

Mode sommeil

Le mode sommeil peut être activé en mode de refroidissement.

Après 1 heure, la température préréglée est augmentée de 1 °C après une autre heure, la température préréglée sera à nouveau augmentée de 1 °C (augmentation maximale de 2 degrés).

Appuyer sur le bouton de mode de l'appareil **2** ou de la télécommande **E** jusqu'à ce que le voyant LED **SLEEP** **11** sur l'écran de commande numérique s'allume.

Réglage de la minuterie

La minuterie peut être réglée pour une durée entre 1 et 24 heures.

Il y a 2 modes de minuterie, pour arrêter l'appareil et pour le mettre en marche.

Minuterie arrêt (lorsque l'appareil est allumé)

- Appuyer sur le bouton MINUTERIE de l'appareil **3** ou de la télécommande **E** jusqu'à ce que le voyant LED **TIMER** **11** sur l'écran de commande numérique s'allume.

- Pour désactiver la minuterie, appuyer sur le bouton augmenter **7** ou diminuer **8** de l'appareil ou appuyer sur le bouton augmenter **B** ou diminuer **C** de la télécommande.

Chaque pression augmente ou diminue d'une heure. La durée sélectionnée est indiquée sur l'écran **9**.

Minuterie mise en marche (lorsque l'appareil est éteint)

- Appuyer sur le bouton MINUTERIE de l'appareil **3** ou de la télécommande **E** jusqu'à ce que le voyant LED **TIMER** **11** sur l'écran de commande numérique s'allume.
- Pour désactiver la minuterie, appuyer sur le bouton augmenter **7** ou diminuer **8** de l'appareil ou appuyer sur le bouton augmenter **B** ou diminuer **C** de la télécommande. Chaque pression augmente ou diminue d'une heure. La durée sélectionnée est indiquée sur l'écran **9**.

Annulation de la minuterie

Pour annuler la minuterie, appuyer sur le bouton augmenter **7** ou diminuer **8** de l'appareil ou appuyer sur le bouton augmenter **B** ou diminuer **C** de la télécommande jusqu'à ce que 00 soit affiché à l'écran **9**.

Dégivrage automatique

À une basse température ambiante, du givre peut s'accumuler sur l'évaporateur pendant le fonctionnement.

L'appareil démarre automatiquement le dégivrage, le LED **POWER** **1** se met à clignoter.

Lorsque l'appareil est en mode de refroidissement, SMART (peut refroidir en mode SMART) ou de déshumidification, le capteur de température ambiante détecte la température de la bobine de l'évaporateur. Lorsque cette température est inférieure à -1 °C, le compresseur cesse de fonctionner. Environ 10 minutes après, ou lorsque la température de la bobine est ≥ 7 °C, l'appareil se remettra à refroidir.

Protection de surcharge

En cas d'une perte ou coupure de courant, il y a un délai de 3 minutes avant le redémarrage du compresseur.

Système d'auto-évaporation

Le système d'auto-évaporation utilise l'eau accumulée pour refroidir le condensateur pour un fonctionnement plus efficace. Il n'est pas nécessaire de vider le réservoir d'eau en mode de refroidissement.

L'eau condensée sera évacuée via l'évacuation d'air **5** et le tuyau d'évacuation **A** raccordé.

L'appareil nécessite une ventilation vers l'extérieur, de sorte que l'air (chaud) et l'humidité puissent être évacués hors de la pièce qui est refroidie.

Vidange

Pour un fonctionnement continu ou sans surveillance, connecter le tuyau de vidange **F** à l'ouverture de vidange **8** de l'appareil.

De cette façon, l'eau de condensation peut s'écouler dans un seau ou une bouche d'égout (par gravité).

- Arrêter l'appareil
- Retirer le bouchon de vidange de l'ouverture de vidange.
- Ranger le bouchon à un endroit sûr.

- Connecter le tuyau de vidange à l'ouverture de vidange.
- S'assurer que le tuyau ne soit ni tordu ni obstrué.
- Placer l'extrémité du tuyau dans un seau ou une bouche d'égout pour permettre à l'eau de s'écouler.
- Ne pas immerger l'extrémité du tuyau dans l'eau, cela empêcherait l'eau de couler



Retirer le bouchon étanche en caoutchouc



Tuyau de vidange continu (diamètre intérieur = 11mm)

Pour éviter le gaspillage d'eau :

Si la pression négative du bac de condensation est importante, incliner d'environ 20 degrés vers le bas le tuyau de vidange en direction du sol.

Redresser le tuyau de vidange pour éviter que le tuyau ne forme un siphon.

4) NETTOYAGE ET MAINTENANCE

Avertissement

Avant de nettoyer l'appareil, toujours l'arrêter et retirer la fiche de la prise de courant.

Nettoyage des filtres à air

Il est recommandé de nettoyer le filtre à air tous les quinze jours lors de l'utilisation de l'appareil.

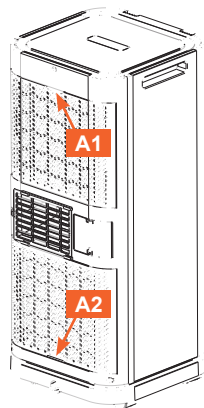
La poussière s'accumule sur les filtres, restreint le flux d'air, réduit l'efficacité et pourrait même endommager l'appareil. L'appareil dispose de 4 filtres à air; 2 à l'arrière et deux sur le côté.

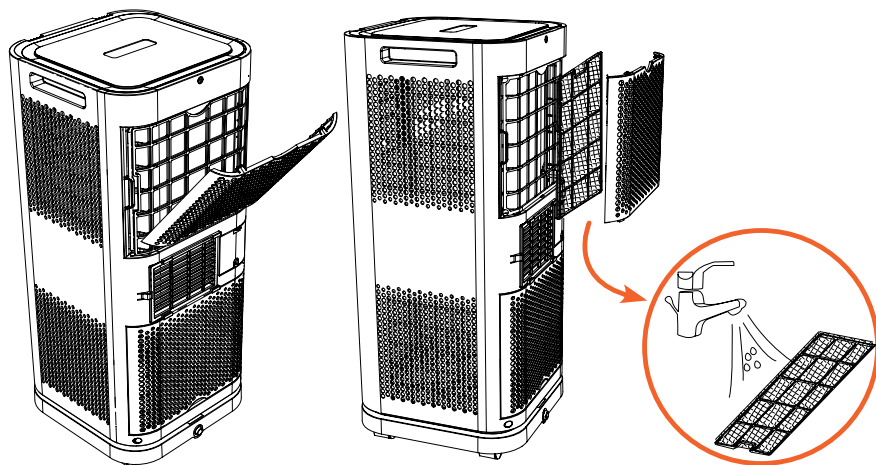
Les filtres à air nécessitent un nettoyage régulier et sont amovibles pour un nettoyage facile.

Avertissement ! Ne jamais utiliser l'appareil sans les filtres à air mis en place ! Cela pourrait contaminer l'évaporateur.

FILTRES ARRIÈRE

- Retirer la fiche de la prise de courant.
- Retirer le panneau arrière (A1) & (A2) de l'appareil.
- Retirer le panneau arrière du filtre pour accéder au filtre.
- Retirer le filet filtrant du panneau arrière.
- Utiliser un chiffon propre pour absorber la poussière de surface sur le filet du filtre. Si le filtre est extrêmement sale, utiliser de l'eau du robinet pour rincer le filtre. Entièrement sécher le filtre avant de le remplacer dans l'appareil.

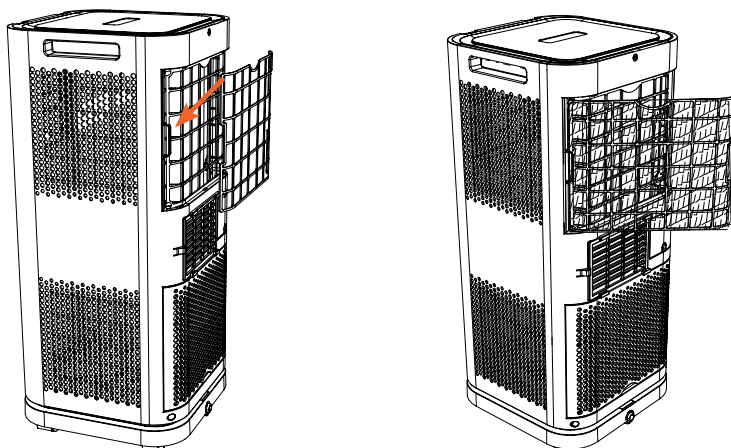
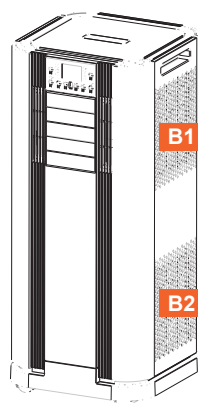




⚠ Avertissement ! Ne pas toucher la surface de l'évaporateur à mains nues. Risque de blessure !

FILTRES LATÉRAUX

- Retirer la fiche de la prise de courant.
- les filtres latéraux ne sont accessibles que lorsque les panneaux arrière supérieurs sont retirés de l'appareil !
- Retirer les panneaux arrière (A1) & (A2) pour accéder aux filtres latéraux, comme décrit ci-dessus.
- Faire glisser lentement les filtres hors de l'appareil.
- Retirer le filtre de l'appareil.
- Retirer le filet du filtre de l'appareil.
- Utiliser un chiffon propre pour absorber la poussière de surface sur le filet du filtre. Si le filtre est extrêmement sale, utiliser de l'eau du robinet pour rincer le filtre. Entièrement sécher le filtre avant de le replacer dans l'appareil.



Nettoyer l'appareil

- Ne jamais utiliser de détergents agressifs ou abrasifs, d'alcool de nettoyage ou d'objets tranchants comme une brosse dure ou un couteau.
- Nettoyer l'extérieur du boîtier avec un chiffon humide.
- Puis sécher l'extérieur avec un chiffon sec.

Remarque :

- L'appareil **NE DOIT PAS** être immergé dans l'eau.

5) PROBLÈMES

Symptôme	Inspection	Solution
L'appareil ne fonctionne pas	√ Contrôler l'alimentation.	Insérer fermement la fiche dans la prise de courant.
	√ Contrôler si l'indicateur du niveau d'eau s'allume.	Vider le réservoir d'eau (vidange) et le réinstaller correctement.
	√ Contrôler la température de la pièce.	La plage de température de fonctionnement est de 5 – 35 °C.
L'appareil ne refroidit pas correctement	√ Contrôler si les filtres à air sont sales.	Nettoyer des filtres à air.
	√ Contrôler si la sortie d'air est obstruée.	Enlever les obstacles.
	√ Contrôler si la température de la pièce est trop basse ou trop élevée.	C'est normal. Laisser refroidir plus longtemps lorsque l'appareil fonctionne pour la première fois.
	√ La température réglée est supérieure / inférieure à la température actuelle.	Régler la température conformément au manuel.
Fuite d'eau	√ Débordement lors du déplacement de l'appareil.	Vider le réservoir d'eau (vidange) avant le déplacement.
	√ Contrôler si le tuyau de vidange est tordu ou plié.	Redresser le tuyau de vidange pour éviter que le tuyau ne forme un siphon..
Bruit excessif	√ Contrôler si l'appareil est correctement positionné.	Placer l'appareil sur une surface horizontale et ferme.
	√ Contrôler s'il y a des pièces détachées ou vibrantes.	Fixer et resserrer les pièces.
	√ Bruit ressemblant à de l'eau qui coule.	Le bruit provient du réfrigérant qui coule. C'est normal.
Codes d'erreur	E0 √ Défauts de communication entre PCB principal de l'appareil et l'écran.	Contacter le revendeur.
	E1 √ Défaillance du capteur de température	Contacter le revendeur.
	E2 √ Capteur d'humidité humide ou défaillant.	Contacter le revendeur.
	Ft √ Alarme de niveau élevé d'eau de condensation.	Vider le bac de vidange en retirant le bouchon en caoutchouc de l'ouverture de vidange.

5) SPÉCIFICATIONS

- Tension d'entrée : 220 - 240 Vac – 50 Hz
- Classe : I
- Entrée nominale / puissance refroidissement : 950W/4.3A
- Type et calibre fusible : T-Type, 250 Vac, 3.15A
- Capacité refroidissement : 9.000 BTU
- Niveau acoustique : ≤ 65 dB(A)
- Charge maximale réfrigérant : R290/200g
- Pression de service maximale aspiration / échappement : 0.7 Mpa/3.2Mpa
- Taille minimale pièce : 10 M2 (surface sol)
- Dimensions : 74 x 32 x 32 cm (h x p x l)
- Poids : 25,5 Kg

6) STOCKAGE & TRANSPORT

- Avant de stocker l'appareil, il doit d'abord être nettoyé conformément à la description dans ce manuel d'utilisation.
- Évacuer l'eau restante.
- L'eau évaporée dans l'appareil doit être bien séchée.
- L'appareil doit être stocké dans son emballage d'origine en position debout.
- L'appareil doit être stocké dans une pièce sans sources opérationnelles continues (telles que des flammes nues, des appareils fonctionnant au gaz ou des chauffages au gaz)
- Toujours stocker l'appareil dans un endroit sec et bien aéré et hors de portée des enfants.
- Protéger l'appareil de vibrations et de chocs pendant le transport.

Tous contenus et spécifications mentionnés dans ce manuel peuvent être modifiés sans préavis.

INSTRUCTIONS POUR LA PROTECTION DE L'ENVIRONNEMENT

(DEEE, la directive relative aux déchets d'équipements électriques et électroniques)



Votre produit a été fabriqué en utilisant des matériaux de haute qualité et des composants qui peuvent être recyclés et réutilisés. À la fin de sa durée de vie, ce produit **ne doit pas** être jeté avec les ordures ménagères ordinaires, mais il doit être remis à un point de collecte spécial pour le recyclage des équipements électriques et électroniques. Ceci est indiqué dans le manuel utilisateur et sur l'emballage par un conteneur de déchets marqué d'un symbole de croix. Les matières premières utilisées sont appropriées pour le recyclage.

Par le recyclage des appareils usagés ou des matières premières, vous apportez une contribution importante à la protection de notre environnement. Informez-vous en local sur le point de collecte le plus proche.

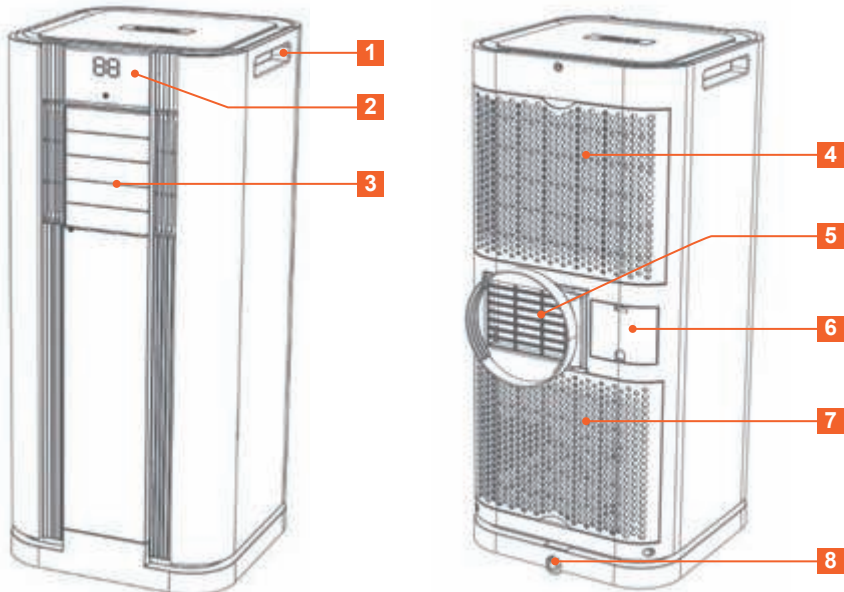
Model: DO-CH-ACON090

INHALT:

- 1) Teile und Merkmale des Geräts
- 2) Sicherheitsanweisungen
- 3) Installation und Verwendung des Geräts
- 4) Pflege und Reinigung
- 5) Produktmerkmale
- 6) Lagerung und Transport

1) TEILE UND MERKMALE DES GERÄTS

Gerät



Produktabbildungen können ohne vorherige Ankündigung geändert werden.

VORDERSEITE:

- 1 Tragegriffe
- 2 Digitales Touch-Panel
- 3 Luftauslass - verstellbar

RÜCKSEITE:

- 4 Lufteinlass (mit Luftfilter)
- 5 Luftaustritt
- 6 Stromkabelablagefach
- 7 Lufteinlass (mit Luftfilter)
- 8 Abflussöffnung mit Verschlussstopfen

Zubehör



A



B



C



D



E



F

ZUBEHÖR:

- A** Abluftschlauch
- B** Schlauchanschlussstück für das Gerät
- C** Schlauchanschlussstück für das Fenster
- D** Fernbedienung
- E** Fensterdurchführung
- F** Abluftschlauch



2) SICHERHEITSAWWEISUNGEN

Ergreifen Sie immer die folgenden grundlegenden Sicherheitsmaßnahmen, bevor Sie die tragbare Klimaanlage 9000 BTU (hiernach das „Gerät“ genannt) benutzen.



Bedienungsanleitung vor der Verwendung sorgfältig durchlesen



Kundendienstmitarbeiter sollten die Bedienungsanleitung und das Wartungshandbuch sorgfältig durchlesen.

Weitere Informationen finden Sie in der Bedienungsanleitung und im Wartungshandbuch.



Das Gerät enthält umweltfreundliches Kühlgas R290.

Das Gas R290 ist entzündlich. Deshalb müssen aufgrund der hohen Entflammbarkeit des Kühlmittels im Gerät besondere Vorsichtsmaßnahmen berücksichtigt werden.

Wenn das Gerät leckt und mit Feuer oder erheizenden Teilen in Kontakt kommt, entsteht schädliches Gas, das zu einer Brandgefahr führt.

Allgemeine Informationen

- Lesen Sie sich die Bedienungsanleitung sorgfältig durch und bewahren Sie diese sicher auf. Wenn Sie dieses Gerät an andere Personen weitergeben, geben Sie bitte auch diese Bedienungsanleitung mit.
- Verwenden Sie dieses Gerät nur entsprechend der Anweisungen in dieser Bedienungsanleitung.
- Setzen Sie das Gerät keiner mechanischen Beanspruchung aus.
- Bitte gehen Sie vorsichtig mit dem Gerät um. Stöße, Aufpralle oder Stürze, selbst aus

geringer Höhe, können das Gerät beschädigen.

- Überprüfen Sie das Gerät vor dem Gebrauch auf sichtbare äußere Beschädigungen. Betreiben Sie das Gerät niemals, wenn es beschädigt ist
- Die Garantie erlischt sofort, wenn ein Schaden durch Nichtbeachtung dieser Bedienungsanleitung verursacht wurde. Der Hersteller haftet nicht für Schäden, die aufgrund der Missachtung dieser Bedienungsanleitung, Fahrlässigkeit oder aufgrund von Anwendungen verursacht wurden, die nicht den Bedingungen in dieser Bedienungsanleitung entsprechen.
- Halten Sie das Gerät von Kindern und Haustieren fern.
- Dieses Gerät ist kein Spielzeug und sollte unter strenger Aufsicht gehalten werden, um zu verhindern, dass Kinder das Gerät als Spielzeug benutzen.
- Halten Sie das Gerät von Kindern unter 8 Jahren fern.
- Halten Sie Kinder unter strenger Aufsicht um zu vermeiden, dass sie das Gerät als Spielzeug benutzen.
- Dieses Gerät kann von Kindern ab 8 Jahren und Menschen mit reduzierten körperlichen, sensorischen oder geistigen Fähigkeiten oder die keine Erfahrung und Wissen haben, benutzt werden, aber nur, wenn sie überwacht und angewiesen werden, wie das Gerät sicher verwendet wird, und sie die damit verbundenen Gefahren verstehen.
- Kinder dürfen dieses Gerät nicht ohne Aufsicht reinigen oder pflegen.
- Ziehen Sie immer den Stecker aus der Steckdose:
 - o bevor Sie das Gerät bewegen,
 - o bevor Sie das Gerät lagern,
 - o bevor Sie das Gerät reinigen oder warten,
 - o nachdem Sie das Gerät benutzt haben.
- Reparaturen dürfen nur von einem qualifizierten Kundendienst durchgeführt werden. Qualifizierter Kundendienst: Kundendienstabteilung des Herstellers oder Geschäfts, der/ das zur Durchführung solcher Reparaturen anerkannt und befugt ist, damit potenzielle Gefahren vermieden werden können. Wenn Probleme mit dem Gerät auftreten, geben Sie es bitte an diese Abteilung zurück.
- Dieses Gerät ist nur für den häuslichen oder ähnlichen Gebrauch bestimmt, nicht für die professionelle Nutzung.



• **WARNHINWEIS!** Schließen Sie das Gerät direkt an eine geerdete 3-polige Wandsteckdose an, um die Brand- und Stromschlaggefahr zu reduzieren.

- Der A-gewichtete Schalldruckpegel liegt unter 55 dB.
- Kippen Sie das Gerät nicht um.
- Halten Sie die Lufteinlass- und Luftauslassöffnungen von Hindernissen frei.
- Stecken Sie keine fremden Gegenstände in das Gerät.
- Stecken Sie keine Gegenstände oder Finger in die Luftauslassöffnung des Geräts.
- Berühren Sie nicht den Lufteinlass oder die Aluminiumlamellen des Geräts.
- Sitzen oder klettern Sie nicht auf dem/das Gerät.
- Stecken oder installieren Sie keine Gegenstände auf das/dem Gerät.
- Das Gerät sollte sich in einem Raum ohne sich ständig in Betrieb befindlichen Quellen wie offene Flammen, gasbetriebene Geräte oder Gasöfen befinden.
- Das Rohrsystem sollte vor physischen Schäden geschützt und nicht an einem unbelüfteten Platz eingebaut werden, wenn er kleiner als 10 m² ist.



• **WARNHINWEIS!** Lassen Sie kein Verpackungsmaterial achtlos herumliegen. Kinder könnten es als gefährliches Spielmaterial verwenden. **Erstickungsgefahr!**

Strom und Wärme

- Prüfen Sie vor dem Einsatz, ob die Netzspannung identisch mit der auf dem Typenschild des Geräts angegebenen Netzspannung ist.



• **WARNHINWEIS!** Stecken Sie nichts anderes in denselben Stromkreis oder dieselbe Wandsteckdose. Wenn Sie nicht sicher sind, ob Ihr Haus dieser Vorgabe entspricht, ziehen Sie vor der Verwendung des Geräts einen zugelassenen Elektriker zu Rate. Brandgefahr, Überhitzung, Fehlfunktion, Sachbeschädigung, Verletzung oder sogar Tod können sich ergeben, wenn diese Anweisung nicht eingehalten wird!

- Verbinden Sie das Gerät NUR mit einer geerdeten 3-poligen Wandsteckdose, die jederzeit leicht zugänglich ist.
- Verbinden Sie das Gerät nicht mit Verlängerungskabeln, Fehlstromschutzschaltern, Zeitschaltuhren, direkten Trennschaltern oder einer Netzsteckdose mit anderen Geräten, die mit derselben Netzsteckdose verbunden sind. Brandgefahr, Überhitzung, Fehlfunktion, Sachbeschädigung, Verletzung oder sogar Tod können sich ergeben, wenn diese Anweisung nicht eingehalten wird.
- Das Gerät nicht draußen benutzen. Es kann ein Sicherheitsrisiko darstellen kann, wenn das Gerät draußen Elementen wie Regen, Schnee, Sonne, Wind oder extremen Temperaturen ausgesetzt wird.



• **WARNHINWEIS! NICHT ABDECKEN:** Lassen Sie keine fremden Gegenstände in die Belüftung, Lufteintrittsöffnung oder Abluftöffnungen eindringen oder diese blockieren und decken Sie das Gerät nie mit Tüchern oder Vorhängen oder anderem Material ab, da dies zu einem Stromschlag, Überhitzung, Brand oder Schäden am Gerät führen kann.

- Vergewissern Sie sich, dass Ihre Hände trocken sind, bevor Sie das Gerät oder den Stecker berühren.
- Benutzen Sie das Gerät nicht, wenn es einen beschädigten Netzstecker hat oder defekt geworden, gefallen ist oder in irgendeiner Weise beschädigt wurde. Geben Sie das Gerät zur Inspektion und Reparatur beim Hersteller oder beim nächstgelegenen qualifizierten Kundendienst ab.
- Stecken Sie das Gerät nur in eine leicht zugängliche Netzsteckdose, damit Sie im Notfall den Stecker schnell aus der Netzsteckdose ziehen können.
- Das Gerät darf nur betrieben werden, indem der Stecker in die Netzsteckdose gesteckt wird.
- Benutzen Sie keine Verlängerungskabel oder Steckdosenleisten, um das Gerät zu betreiben.
- Beim Einstecken des Steckers darauf achten, dass er nicht versehentlich herausgezogen werden oder dass man darüber stolpern kann.
- Achten Sie darauf, dass niemand auf das Netzkabel treten oder es einklemmen kann.
- Ziehen Sie beim Entfernen des Steckers aus der Steckdose am Stecker, nicht am Kabel.
- Das Netzkabel darf nicht über scharfen Kanten hängen. Halten Sie es von heißen Objekten und offenen Flammen fern.
- Bewegen oder lagern Sie das Gerät nicht, bevor es abgekühlt ist.
- Schalten Sie das Gerät aus und entfernen Sie den Netzstecker, wenn bei der Verwendung Fehlfunktionen auftreten, Sie Schäden feststellen oder wenn es nicht in Gebrauch ist oder gereinigt wird.
- Das Gerät darf nicht zerdrückt, durchstochen oder auseinandergenommen werden, da es dadurch beschädigt werden kann.
- Ziehen Sie das Gerät bei Gewitter oder längerer Nichtbenutzung aus der Netzsteckdose.

- Betreiben Sie das Gerät nicht mit einer externen Zeitschaltuhr oder einer separaten Fernbedienung.
- Schalten Sie das Gerät vor der Reinigung immer aus und ziehen Sie es aus der Netzsteckdose.
- Öffnen Sie das Gehäuse nicht, da dies zu einem Stromschlag führen kann.
- Tauchen Sie das Gerät niemals in Wasser oder in eine andere Flüssigkeit, um ein Stromschlagrisiko zu verhindern. Berühren Sie das Gerät nicht, wenn es ins Wasser gefallen ist. Trennen Sie das Gerät von der Netzsteckdose, während das Gerät ausgeschaltet ist und benutzen Sie es nicht wieder.
- Achten Sie darauf, dass das Gerät nicht an Hitzequellen, wie eine heiße Kochplatte oder offenes Feuer, gelangt.



• **WARNHINWEIS!** Um die Brand- oder Stromschlaggefahr zu reduzieren, muss das Gerät vor Wassertropfen und Wasserspritzern geschützt werden. Halten Sie es von Objekten, die mit Flüssigkeiten gefüllt sind, wie Vasen, fern. Solche Gegenstände sollten nicht auf das Gerät oder in dessen Nähe gestellt werden.

Wichtige Informationen, befolgen Sie zu Ihrer Sicherheit immer diese Anweisungen

- Dieses Gerät kann von Kindern ab 8 Jahren und von Personen mit körperlichen, sensorischen oder geistigen Einschränkungen sowie mangelnder Erfahrung und Wissen verwendet werden, sofern sie beaufsichtigt werden oder in der sicheren Verwendung des Geräts unterwiesen wurden und sich der möglichen Gefahren bewusst sind. Kinder dürfen mit dem Gerät nicht spielen. Reinigung und Wartung dürfen nicht von Kindern unter 8 Jahren ausgeführt werden. Ab 8 Jahren müssen sie beaufsichtigt werden.
- Verwenden Sie das Gerät nur in Innenräumen, in trockenen Bereichen und nicht in der Nähe von Wasser und anderen Flüssigkeiten.



• **WARNHINWEIS!** Dieses Gerät sollte NICHT in Badezimmern, Waschbereichen und ähnlichen feuchten Innenräumen verwendet werden.

- Tauchen Sie das Gerät niemals in Wasser oder in eine andere Flüssigkeit. Dies kann einen tödlichen Stromschlag verursachen!
- Schalten Sie das Gerät aus und ziehen Sie den Netzstecker aus der Steckdose, wenn das Gerät nicht benutzt oder es gereinigt wird.
- Überprüfen Sie das Kabel regelmäßig auf Schäden.
- Verwenden Sie das Gerät nicht, wenn das Netzkabel Anzeichen von Schäden aufweist, wenn das Gerät auf den Boden gefallen ist oder andere Beschädigungen zu sehen sind. Das Gerät muss in solchen Fällen von einem Experten geprüft und nötigenfalls repariert werden.
- Kinder dürfen das Gerät niemals unbeaufsichtigt verwenden. Kinder können Gefahren, die von einer falschen Benutzung elektrischer Geräte ausgehen, nicht einschätzen.
- Kinder, die sich in der Nähe des Gerätes aufhalten, müssen stets von einem Erwachsenen beaufsichtigt werden.
- Lassen Sie das Gerät niemals unbeaufsichtigt, wenn es in Betrieb ist.
- Halten Sie die Lufteintrittsöffnungen des Geräts sauber, sodass sie nicht durch Staub oder andere Partikel blockiert werden können, um so Überhitzung und Fehlfunktionen zu vermeiden.
- Wenn das Gerät in einer geneigten Position von mehr als 45° gewesen ist, lassen Sie es vor der Verwendung mindestens 24 Stunden lang aufrecht stehen.
- Die Kühlmittelasche (gefüllt mit Gas R290) ist verschlossen. Versuchen Sie nicht, sie

zu öffnen. Nur ein qualifizierter Kundendienst kann Überprüfungen oder Reparaturen durchführen.

- Lassen Sie das Kühlmittel nicht in die Atmosphäre austreten.
- Das Gas R290 (Propan) ist entzündlich und schwerer als Luft. Es sammelt sich zuerst in niedrigen Bereichen, aber kann durch Luft zirkuliert werden.
- Das im Gerät verwendete Gas R290 (Propan) ist geruchsfrei.
- Der fehlende Geruch bedeutet nicht, dass kein Gas ausgetreten ist.



• **WARNHINWEIS!** Bei einem erkannten Gasaustritt evakuieren Sie sofort alle Personen und Haustiere aus dem Raum, lüften Sie den Raum und kontaktieren Sie Ihre örtliche Feuerwehr und erklären Sie, dass ein Propangasaustritt erfolgt ist.

• Lassen Sie keine Personen den Raum betreten, bevor er als sicher zum Eintreten erklärt worden ist.

• Keine offenen Flammen, Zigaretten oder andere mögliche Zündquellen sollten drinnen oder in der Nähe des Geräts benutzt werden. Brandgefahr!

• Die Teile sind für Propangas bestimmt und sind nicht zündfähig und funkenfrei. Bauteile sind nur mit identischen Bauteilen durch einen qualifizierten Kundendienst zu ersetzen.

• Benutzen Sie keine Mittel zur Beschleunigung des Entfrostsprozesses oder von den Empfehlungen des Herstellers abweichende Reinigungsmittel.



Wartungshandbuch/Vorsichtsmaßnahmen beim Kundendienst

Reparaturen dürfen nur von einem qualifizierten Kundendienst durchgeführt werden. Qualifizierter Kundendienst: Kundendienstabteilung des Herstellers oder Geschäfts, der/ das zur Durchführung solcher Reparaturen anerkannt und befugt ist, damit potenzielle Gefahren vermieden werden können.

Bitte beachten Sie diese Warnhinweise, wenn Sie die folgenden Handlungen bei der Wartung eines Geräts mit R290 vornehmen.

Überprüfen des Bereichs

Vor dem Beginn der Arbeiten an Anlagen, die entzündliche Kühlmittel enthalten, sind Sicherheitsüberprüfungen nötig, um eine Verringerung der Entzündungsgefahr zu gewährleisten. Für Reparaturen am Kühlsystem müssen die folgenden Vorsichtsmaßnahmen eingehalten werden, bevor Arbeiten am System ausgeführt werden.

Arbeitsablauf

Arbeiten sind nach einem kontrollierten Ablauf durchzuführen, um die Gefahr zu verringern, dass entzündliches Gas oder Dampf vorhanden ist, während die Arbeit ausgeführt wird.

Allgemeiner Arbeitsbereich

Alle Kundendienstmitarbeiter und andere, die im Bereich vor Ort arbeiten, sind über die Art der auszuführenden Arbeit zu informieren. Arbeit in geschlossenen Räumen ist zu vermeiden. Die Fläche rund um den Arbeitsbereich ist abzusperren. Achten Sie darauf, dass die Bedingungen in dem Bereich gesichert wurden, indem entzündliches Material reduziert wurde.

Überprüfen des Vorhandenseins von Kühlmittel

Der Bereich ist vor und während der Arbeit mit einem geeigneten Kühlmittelprüfgerät zu kontrollieren, um sicherzustellen, dass der Techniker über möglicherweise entzündliche Atmosphären informiert ist. Achten Sie darauf, dass die verwendeten Geräte zur Feststellung der undichten Stelle für die Benutzung mit entzündlichen Kühlmitteln geeignet

sind, d. h. funkenfrei, ausreichend verschlossen oder eigentlich sicher.

Vorhandensein eines Feuerlöschers

Wenn Heiarbeiten an der Khlanlage oder damit zusammenhngenden Teilen durchzufhren sind, muss eine angemessene Feuerlscheinrichtung verfgbar sein. Stellen Sie sicher, dass sich ein Trockenpulver oder ein CO₂-Feuerlscher in der Nhe des Fllbereichs befinden.

Keine Zndquellen

Keine Person, die Arbeiten in Bezug auf ein Khlsystem ausfhrt, wozu die Freilegung von Rhren gehrt, die entzndliche Khlmittel enthalten oder enthalten haben, darf Zndquellen in solcher Weise benutzen, dass dies zu einer Brand- oder Explosionsgefahr fhren kann. Alle mglichen Zndquellen, einschlielich des Rauchens von Zigaretten, sollten ausreichend weit vom Ort der Installation, Reparatur, Entfernung und Entsorgung, wobei das entzndliche Khlmittel mglicherweise in der Umgebung freigesetzt werden kann, gehalten werden. Bevor eine Arbeit erfolgt, ist der Bereich rund um das Gert zu untersuchen, um sicherzustellen, dass es dort keine Gefahren durch Entflammen oder Entznden gibt. Es sind Rauchverbotsschilder aufzuhngen.

Belfteter Bereich

Achten Sie darauf, dass der Bereich im Freien ist oder dass er ausreichend belftet ist, bevor Sie das System aufbrechen oder Heiarbeiten durchfhren. Ein bestimmtes Ma an Belftung sollte weiter whrend des Zeitraums vorhanden sein, in dem die Arbeit ausgefhrt wird. Die Belftung sollte sicher freigesetztes Khlmittel zerstreuen und es vorzugsweise nach drauen in die Atmosphre ausstoen.

berprfung der Khlanlage

Wenn elektrische Teile auszutauschen sind, sollten sie zweckmig sein und die richtigen technischen Vorgaben haben. Die Wartungs- und Kundendienstanweisungen des Herstellers sind jederzeit einzuhalten. Wenden Sie sich im Zweifelsfall zur Hilfe an die technische Abteilung des Herstellers.

Die folgenden berprfungen sind bei Anlagen anzuwenden, die entzndliche Khlmittel verwenden:

- Die Gre des Auffllens entspricht der Raumgre, in dem die Khlmittel enthaltenden Teile installiert werden.
- Die Belftungsvorrichtung und Auslassffnungen funktionieren ausreichend und sind nicht blockiert.
- Wenn ein indirekter Khlkreislauf benutzt wird, ist der untergeordnete Kreislauf auf das Vorhandensein von Khlmittel zu berprfen.
- Markierungen auf dem Gert sind weiterhin sicht- und lesbar. Markierungen und Zeichen, die unlesbar sind, sind zu korrigieren.
- Khlrohre oder Bauteile werden in einer Position installiert, in der sie wahrscheinlich nicht Substanzen ausgesetzt werden, die Khlmittel beinhaltende Bauteile rosten lassen knnen, auer wenn die Bauteile aus Materialien gebaut sind, die an sich rostbestndig oder angemessen vor Rost geschtzt sind.

berprfung elektrischer Gerte

Zur Reparatur und Instandhaltung von elektrischen Bauteilen sollten anfngliche Sicherheitsberprfungen und Verfahren zur Untersuchung von Bauteilen gehren. Wenn ein Mangel besteht, der die Sicherheit beeintrchtigen knnte, ist keine Stromzufhr mit dem Kreislauf zu verbinden, bis der Mangel zufriedenstellend behoben wurde. Wenn ein Mangel nicht sofort behoben werden kann, aber dies fr den weiteren Betrieb ntig ist, ist eine angemessene vorbergehende Lsung zu nutzen. Dies ist dem Eigentmer des Gerts zu melden, damit alle Parteien informiert sind.

Zu anfänglichen Überprüfungen gehören folgende:

- Die Kondensatoren werden entleert: dies hat auf sichere Art zu erfolgen, um mögliche Funkenbildung zu vermeiden.
- Keine spannungsführenden elektrischen Teile und Drähte dürfen während des Füllens, Wiederherstellens oder Säuberns des Systems freigelegt werden.
- Es hat beständig eine Erdung vorhanden zu sein.

WARNHINWEIS!

- Installieren Sie das Gerät in Räumen über 10 m² Größe.
- Installieren Sie das Gerät nicht an einem Ort, an dem entzündliches Gas austreten kann.



HINWEIS!

Der Hersteller kann andere geeignete Muster oder zusätzliche Informationen über den Geruch des Kühlmittels geben.

3) INSTALLATION UND VERWENDUNG DES GERÄTS

Erste Verwendung


Öffnen Sie die Verpackung vorsichtig, bevor Sie das Gerät herausnehmen. Stellen Sie sicher, dass das Gerät vollständig und unbeschädigt ist. Sollten Teile fehlen oder beschädigt sein, kontaktieren Sie den Lieferanten und verwenden Sie das Produkt nicht. Die Verpackung sollte aufbewahrt oder in Übereinstimmung mit den örtlichen Vorschriften recycelt werden.

- Entfernen Sie sämtliches Verpackungsmaterial vom Gerät.
- Reinigen Sie das Gerät mit einem feuchten Tuch. Bitte sehen Sie sich den Abschnitt „Pflege und Reinigung“ an.
- Fahren Sie mit dem Verfahren im Abschnitt „Benutzung des Geräts“ fort.

Benutzung des Geräts

Stellen Sie das Gerät auf eine feste und stabile Oberfläche in einem Bereich mit mindestens 50 cm freien Platz um das Gerät herum, um eine richtige Luftzirkulation zu erzeugen.

Betreiben Sie das Gerät nicht in der Nähe von Wänden, Vorhängen oder anderen Gegenständen, welche Lufteinlass **4** und **7** und Luftauslass **3** blockieren können, was zu einer schlechten Luftzirkulation führt.

 **WARNHINWEIS! Wenn das Gerät in einer geneigten Position von mehr als 45° gewesen ist, lassen Sie es vor der Verwendung mindestens 24 Stunden lang aufrecht stehen.**

Achten Sie darauf, dass das Gerät nicht an Hitzequellen, wie Heizungen, heiße Kochplatten oder offene Feuer, gelangt.

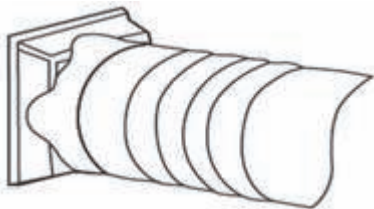
Achten Sie darauf, dass das Gerät nicht der direkten Sonneneinstrahlung ausgesetzt ist. Installieren Sie das Gerät in Räumen von über 10 m² Größe.

Befestigung des Ablaufschlauchs

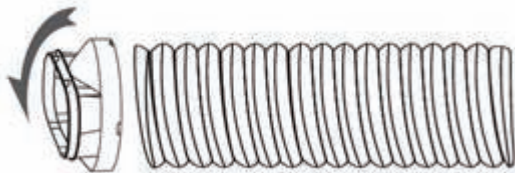
Das Gerät erfordert Entlüftung nach draußen, damit die (heiße) Abluft und Feuchtigkeit außerhalb des Raums, der gekühlt wird, ausgestoßen werden kann.

Ersetzen oder verlängern Sie nicht den Abluftschlauch, da dies zu verringerter Effizienz führt und das Gerät aufgrund von geringem Rückdruck **automatisch ausschalten kann**.

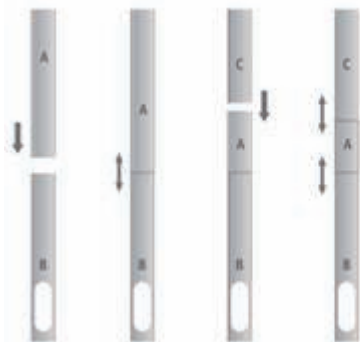
1) Verbinden Sie das Schlauchanschlussstück für das Gerät **B** mit dem einen Ende des Abluftschlauchs **A**



2) Verbinden Sie das Schlauchanschlussstück für das Fenster **C** mit dem anderen Ende des Abluftschlauchs **A**



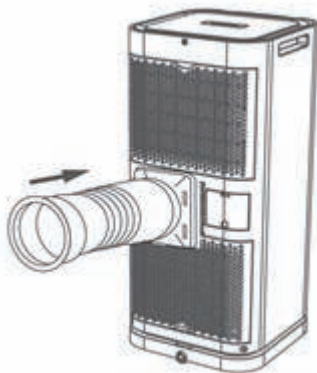
3) Stellen Sie die verstellbare Fensterdurchführung auf die Länge Ihres Fensters ein. Verbinden Sie das Schlauchanschlussstück für das Fenster **C** mit der Fensterdurchführung **E**



4) Schließen Sie Ihr Fenster und achten Sie darauf, dass die Fensterdurchführung gut und fest angebracht ist. Sichern Sie die Fensterdurchführung nötigenfalls mit Kleband. Die Lücke zwischen der Durchführung und den Seiten des Fensters sollte für maximale Effizienz geschlossen/dicht sein.



5) Verbinden Sie das Schlauchanschlussstück für das Gerät **B** mit der Abluftöffnung **5**

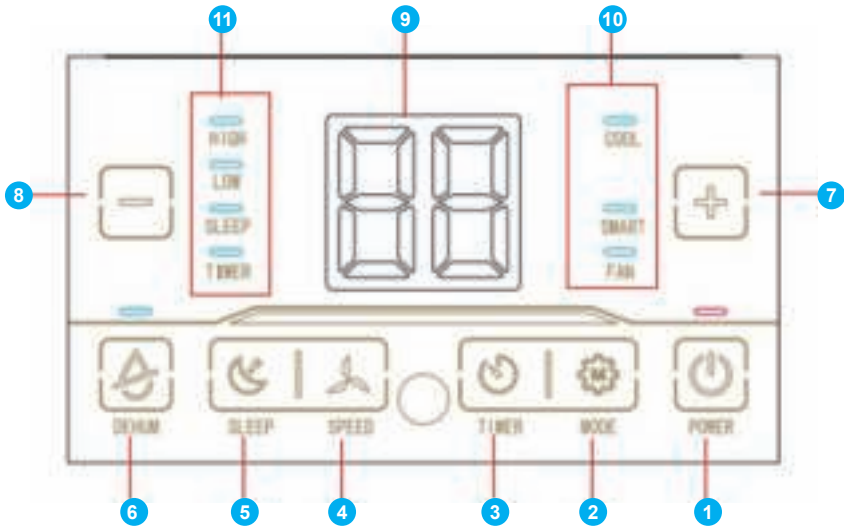


6) Stellen Sie die Länge des flexiblen Schlauchs **A** ein und vermeiden Sie Knicke. Stellen Sie das Gerät in die Nähe einer Netzsteckdose.



7) Stellen Sie die Lüftungslamelle am Luftauslass ein, das Gerät ist einsatzbereit.

Digitales Touch-Panel



Digitales Touch-Panel:

- | | |
|-------------------------------------|--------------------------------------|
| 1) Ein-/Aus-Taste | 7) Erhöhung (Temperatur und Zeit) |
| 2) Modus-Taste | 8) Reduzierung (Temperatur und Zeit) |
| 3) Timer-Taste | 9) Display (Temperatur und Zeit) |
| 4) Taste für Gebläsegeschwindigkeit | 10) LED-Modusanzeige |
| 5) Standby-Modus-Taste | 11) LED-Funktionsanzeige |
| 6) Entfeuchtungstaste | |

Fernbedienung

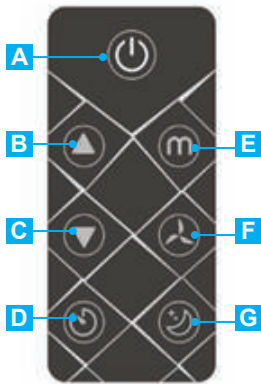
In der Fernbedienung ist eine Lithium-Batterie (CR2025) vorinstalliert.

Entfernen Sie die Schutzlasche, um die Batterie in der Fernbedienung zu aktivieren.

Einlegen/austauschen der Batterie in der Fernbedienung:

- 1) Drücken Sie auf die Sicherheitsverriegelung.
- 2) Ziehen Sie das Batteriefach heraus und nehmen Sie die alte Batterie heraus.
- 3) Legen Sie eine neue Batterie (CR2025) richtig gepolt (+/-) wie angegeben in das Batteriefach ein.
- 4) Setzen Sie das Batteriefach wieder ein.





FERNBEDIENUNG:

- A** Ein-/Ausschalter
- B** Erhöhung
- C** Reduzierung
- D** Timer
- E** Modus
- F** Gebläsegeschwindigkeit
- G** Standby-Modus

Modi

Ein-/Ausschalter

Drücken Sie den Ein-/Ausschalter auf dem Gerät **1** oder auf der Fernbedienung **A**. Wenn Sie das Gerät zum ersten Mal einschalten, wird es automatisch im **SMART** Modus starten.

Wenn Sie das Gerät einschalten, wenn es schon zuvor eingeschaltet war, wird es im zuletzt ausgewählten Modus starten.

Betriebsmodus

Das Gerät hat 5 auswählbare Modusfunktionen: Kühlen - Smart - Gebläse - Entfeuchten - Schlafen.

Drücken Sie die Modus-Taste auf dem Gerät **2** oder auf der Fernbedienung **E**, um den gewünschten Modus auszuwählen.

Kühlmodus

Drücken Sie die Modus-Taste auf dem Gerät **2** oder auf der Fernbedienung **E**, bis die LED-Kühlanzeige **10** auf dem digitalen Touch-Panel aufleuchtet.

Wählen Sie die gewünschte Temperatur, indem Sie die Taste Erhöhung **7** oder Reduzierung **8** auf dem Gerät drücken.

Oder wählen Sie die gewünschte Temperatur, indem Sie die Taste Erhöhung **B** oder Reduzierung **C** auf der Fernbedienung drücken.

Die Temperatur kann zwischen 16°C und 32°C eingestellt werden.

Hinweis! Das Gerät wird automatisch aufhören zu kühlen, wenn die Raumtemperatur niedriger als die ausgewählte Temperatur ist!

Gebläsegeschwindigkeit

Drücken Sie wiederholt die Taste für die Gebläsegeschwindigkeit auf dem Gerät **4** oder auf der Fernbedienung **F**, bis die erforderliche Gebläsegeschwindigkeit ausgewählt wurde. Es gibt 2 auswählbare Gebläsegeschwindigkeiten: hohe Geschwindigkeit und niedrige Geschwindigkeit.

Während Sie die erforderliche Gebläsegeschwindigkeit drücken, wird das LED-Display **11** die ausgewählte Geschwindigkeit anzeigen.

Zur Steuerung der Richtung des Luftstroms stellen Sie die Lüftungslamelle im Luftauslass **3** per Hand ein.

Gebälsemodus

Sie können Ihren Raum lüften. In diesem Modus wird die Luft zirkuliert, sodass das Gefühl einer „Brise“ entsteht, aber der Raum wird nicht gekühlt.

Drücken Sie die Modus-Taste auf dem Gerät **2** oder auf der Fernbedienung **E**, bis die LED-**Gebälseanzeige** **10** auf dem digitalen Touch-Panel aufleuchtet.

Sie können die erforderliche Gebälsegeschwindigkeit wie unter „Gebälsegeschwindigkeit“ beschrieben auswählen.

Entfeuchtungsmodus

Drücken Sie die Modus-Taste auf dem Gerät **2** oder auf der Fernbedienung **E**, bis die LED-**Entfeuchtungsanzeige** auf dem digitalen Touch-Panel aufleuchtet.

In diesem Modus kann die Gebälsegeschwindigkeit nicht ausgewählt werden und wird in der voreingestellten geringen Geschwindigkeit sein.

Hinweis!

Im Entfeuchtungsmodus ist der Ablaufschlauch **F an die Abflussöffnung (8) anzuschließen, um das Kondenswasser abzulassen.**

Siehe „Entwässerung“ für Verbindungsanweisungen.

Smart-Modus

Im Smart-Modus werden der Kühl- und Gebälsemodus automatisch je nach der Raumtemperatur reguliert.

Drücken Sie die Modus-Taste auf dem Gerät **2** oder auf der Fernbedienung **E**, bis die LED-**SMART**-Anzeige **10** auf dem digitalen Touch-Panel aufleuchtet.

Sobald der Modus ausgewählt wurde, ist der Modus in der Standardeinstellung auf 23°C eingestellt.

Bei einer Temperatur von $\geq 24^{\circ}\text{C}$ funktioniert das Gerät im Kühlmodus.

Bei einer Temperatur zwischen 22°C und 24°C funktioniert das Gerät im Gebälsemodus.

Wenn Sie vom **KÜHL**modus in den **SMART**-Modus wechseln, funktioniert es im Smart-Modus bei den im Kühlmodus eingestellten Gradzahlen. Die Temperatur kann im Smart-Modus nicht eingestellt werden.

Schlafmodus

Der Schlafmodus kann im Kühlmodus aktiviert werden.

Nach einer Stunde wird die voreingestellte Temperatur um 1°C erhöht, nach einer weiteren Stunde wird die voreingestellte Temperatur erneut um 1°C erhöht (maximal 2 Grad Erhöhung).

Drücken Sie die Modus-Taste auf dem Gerät **2** oder auf der Fernbedienung **E**, bis die LED-**SCHLAF**-Anzeige **11** auf dem digitalen Touch-Panel aufleuchtet.

Timer-Einstellung

Der Timer kann von 1 Stunde bis zu 24 Stunden eingestellt werden.

Es gibt 2 Timer-Modi, um das Gerät auszuschalten und es einzuschalten.

Timer zum Ausschalten (wenn das Gerät **eingeschaltet** ist)

- Drücken Sie die Timer-Taste auf dem Gerät **3** oder auf der Fernbedienung **D**, bis die LED-**TIMER**-Anzeige **11** auf dem digitalen Touch-Panel aufleuchtet.
- Um den Timer zum Ausschalten zu verzögern, drücken Sie die Taste Erhöhung **7** oder Reduzierung **8** auf dem Gerät oder drücken Sie die Taste Erhöhung **B** oder Reduzierung

C auf der Fernbedienung. Jedes Drücken erhöht oder reduziert um eine Stunde. Die ausgewählte Zeit wird auf dem Display **9** angezeigt.

Timer zum Einschalten (wenn das Gerät **ausgeschaltet** ist)

- Drücken Sie die Timer-Taste auf dem Gerät **3** oder auf der Fernbedienung **D**, bis die LED-TIMER-Anzeige **11** auf dem digitalen Touch-Panel aufleuchtet.
- Um den Timer zum Ausschalten zu verzögern, drücken sie die Taste Erhöhung **7** oder Reduzierung **8** auf dem Gerät oder drücken Sie die Taste Erhöhung **B** oder Reduzierung **C** auf der Fernbedienung. Jedes Drücken erhöht oder reduziert um eine Stunde. Die ausgewählte Zeit wird auf dem Display **9** angezeigt.

Löschen des eingestellten Timers

Um den Timer zu löschen, drücken sie die Taste Erhöhung **7** oder Reduzierung **8** auf dem Gerät oder drücken Sie die Taste Erhöhung **B** oder Reduzierung **C** auf der Fernbedienung, bis **00** auf dem Display **9** steht.

Automatisches Entfrostern

Bei einer geringen Raumtemperatur kann sich während des Betriebs Frost auf dem Verdampfer bilden.

Das Gerät beginnt automatisch zu entfrostern, die **POWER-LED 1** beginnt zu blinken.

Wenn das Gerät sich im Kühl-, Smart- (kann im Smart-Modus kühlen) oder Entfeuchtungsmodus befindet, spürt der Umgebungstemperatursensor die Temperatur der Verdampferschlange. Wenn diese Temperatur unter -1°C liegt, hört der Verdichter auf zu arbeiten. Ungefähr 10 Minuten später oder wenn die Schlangentemperatur $\geq 7^{\circ}\text{C}$ beträgt, beginnt das Gerät wieder zu kühlen.

Überlastschutz

Bei einem Stromausfall oder einer Stromabschaltung erfolgt eine 3 Minuten lange Verzögerung, bis der Verdichter erneut startet.

Selbstverdampfungssystem

Das Selbstverdampfungssystem nutzt das gesammelte Wasser, um die Kondensatorschlangen für eine effizientere Leistung zu kühlen. Im Kühlbetrieb muss der Wassertank nicht geleert werden.

Das Kondenswasser verdampft durch den Luftaustritt **5** und den angeschlossenen Abluftschlauch **A**.

Das Gerät erfordert Entlüftung nach draußen, damit die (heiße) Abluft und Feuchtigkeit außerhalb des Raums, der gekühlt wird, ausgestoßen werden kann.

Entwässerung

Für einen beständigen oder unbeaufsichtigten Betrieb, verbinden Sie den Abluftschlauch **F** mit der Abflussöffnung **8** des Geräts.

Auf diese Weise kann Kondenswasser in einen Eimer oder Abfluss fließen (durch Schwerkraft).

- Schalten Sie das Gerät aus
- Entfernen Sie den Abflussstopfen von der Abflussöffnung

- Bewahren Sie den Stopfen sicher auf
- Legen Sie den Ablaufschlauch über die Abflussöffnung
- Achten Sie darauf, dass der Ablaufschlauch nicht geknickt und frei von allen Blockierungen ist.
- Legen Sie den Ablaufschlauch in einen Eimer oder Abfluss und gewährleisten Sie, dass das Wasser ablaufen kann.
- Tauchen Sie das Schlauchende nicht ins Wasser, da dies einen „Lufteinschluss“ im Ablaufschlauch verursachen kann.



Entfernen Sie den Gummi-Verschlussstopfen



Ständiger Ablaufschlauch
(Innendurchmesser: 11 mm)

Zur Vermeidung von überlaufendem Wasser

Da der negative Druck der Kondensatabflusswanne riesig ist, neigen Sie den Ablaufschlauch bei ungefähr 20 Grad nach unten zum Boden hin.

Begradigen Sie den Ablaufschlauch, um die Bildung einer Fangstelle im Schlauch zu vermeiden.

4) PFLEGE UND REINIGUNG

Warnhinweis

Vor der Reinigung des Geräts schalten Sie es immer aus, trennen Sie es von der Stromversorgung.

Reinigung der Luftfilter

Es wird empfohlen, die Luftfilter alle 2 Wochen zu reinigen, wenn Sie das Gerät nutzen.

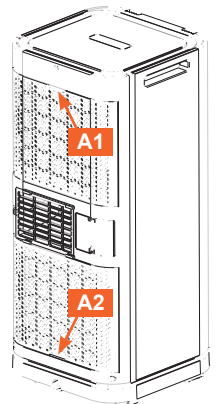
Auf den Filtern sammelt sich Staub und schränkt den Luftfluss ein und reduziert die Effizienz und könnte das Gerät sogar beschädigen. Das Gerät hat 4 Luftfilter, 2 hinten und 2 an der Seite.

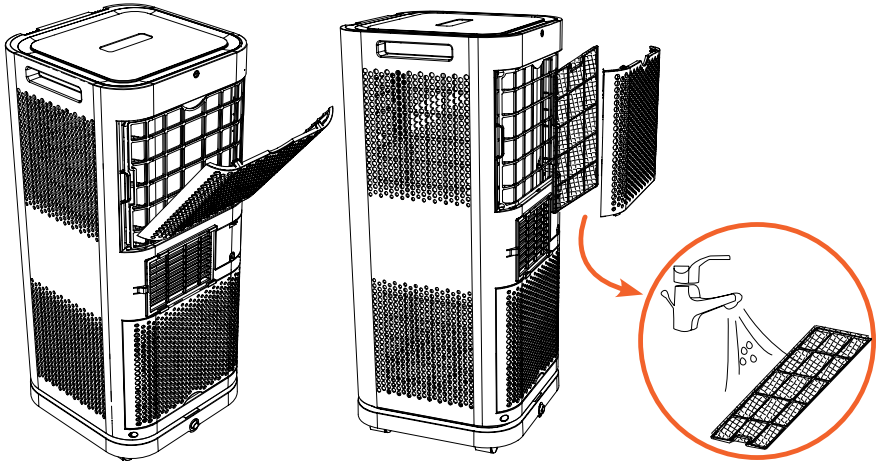
Der Luftfilter sollte regelmäßig gereinigt und kann zur einfachen Reinigung entfernt werden.

Warnhinweis! Benutzen Sie das Gerät nicht, wenn die Luftfilter nicht eingesetzt sind! Dies kann den Verdampfer verunreinigen.

RÜCKSEITENFILTER

- Ziehen Sie den Stecker aus der Netzsteckdose.
- Ziehen Sie die Rückplatte (A1) und (A2) vom Gerät.
- Entfernen Sie die Rückplatte vom Filter, um Zugang zum Filter zu erhalten.
- Entfernen Sie das Filtergitter von der Rückplatte.
- Nutzen Sie einen sauberen Lappen, um den Staub auf der Oberfläche des Filtergitters aufzunehmen. Wenn der Filter sehr schmutzig ist, benutzen Sie Leitungswasser zum Abspülen des Filters. Trocknen Sie den Filter vollkommen, bevor Sie ihn wieder in das Gerät einsetzen.

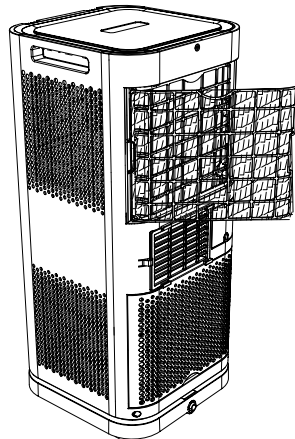
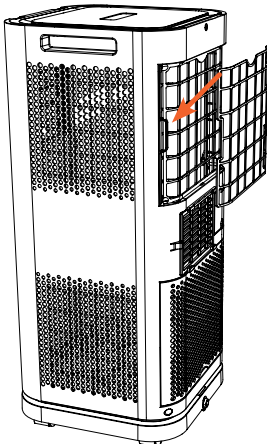
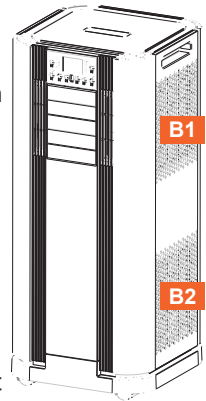




⚠ Warnhinweis! Berühren Sie die Oberfläche des Verdampfers nicht mit bloßen Händen. Verletzungsgefahr!

SEITENFILTER

- Ziehen Sie den Stecker aus der Netzsteckdose.
- Die Seitenfilter kann man nur erreichen, wenn die oberen Rückplatten vom Gerät entfernt werden!
- Ziehen Sie die Rückplatten (A1) und (A2) ab, um wie oben beschrieben Zugang zu den Seitenfiltern zu erhalten.
- Schieben Sie die Seitenfilter langsam aus dem Gerät.
- Entfernen Sie den Filter aus dem Gerät.
- Entfernen Sie das Filtergitter vom Gerät.
- Nutzen Sie einen sauberen Lappen, um den Staub auf der Oberfläche des Filtergitters aufzunehmen. Wenn der Filter sehr schmutzig ist, benutzen Sie Leitungswasser zum Abspülen des Filters. Trocknen Sie den Filter vollkommen, bevor Sie ihn wieder in das Gerät einsetzen.



Reinigung des Geräts

- Verwenden Sie niemals aggressive oder scheuernde Reinigungsmittel, Reinigungsalkohol oder scharfe Gegenstände wie harte Bürsten oder Messer.
- Reinigen Sie das äußere Gehäuse mit einem feuchten Tuch.
- Trocken Sie das Gehäuse mit einem trockenen Tuch ab.

Hinweis:

- Das Gerät **DARF NICHT** in Wasser getaucht werden.

5) FEHLERBEHEBUNG

Symptom		Untersuchung	Lösung
Das Gerät funktioniert nicht		√ Prüfen Sie die Steckerverbindung.	Stecken Sie den Netzstecker sicher in die Netzsteckdose.
		√ Prüfen Sie, ob die Wasserstandsanzeige aufleuchtet.	Leeren Sie den Wassertank (Entwässerung) und setzen Sie ihn richtig wieder ein.
		√ Prüfen Sie die Raumtemperatur.	Der Bereich der Betriebstemperatur ist 5 - 35°C.
Das Gerät kühlt nicht wie eingestellt		√ Prüfen Sie die Luftfilter auf Schmutz.	Reinigen Sie den Luftfilter.
		√ Prüfen Sie, ob die Luftaustrittsöffnung blockiert ist.	Befreien Sie sie von allen Blockierungen.
		√ Prüfen Sie, ob die Raumtemperatur zu hoch oder zu niedrig ist.	Das ist normal. Erlauben Sie mehr Zeit zum Abkühlen, wenn das Gerät zuerst eingeschaltet wird.
		√ Die eingestellte Temperatur ist höher/niedriger als die aktuelle Temperatur.	Stellen Sie die Temperatur auf den richtigen Einstellwert nach der Anleitung ein.
Auslaufendes Wasser		√ Überlaufen beim Bewegen des Geräts.	Leeren Sie den Wassertank (Entwässerung) vor dem Transport.
		√ Prüfen Sie, ob der Ablaufschlauch geknickt oder gebogen ist.	Begradigen Sie den Ablaufschlauch, um die Bildung einer Fangstelle zu vermeiden.
Übermäßiger Lärm		√ Prüfen Sie, ob das Gerät sicher aufgestellt ist.	Stellen Sie das Gerät auf eine waagerechte und feste Oberfläche.
		√ Prüfen Sie, ob lose oder vibrierende Teile vorhanden sind.	Sichern und befestigen Sie die Teile.
		√ Der Lärm hört sich wie fließendes Wasser an.	Der Lärm kommt vom fließenden Kühlmittel. Das ist normal.
Fehlercodes	E0	√ Kommunikationsfehler zwischen dem Haupt-PCB des Geräts und dem Display.	Kontaktieren Sie den Vertriebspartner.
	E1	√ Fehlfunktion des Temperatursensors	Kontaktieren Sie den Vertriebspartner.
	E2	√ Feuchtigkeitssensor befeuchtet oder Fehlfunktion.	Kontaktieren Sie den Vertriebspartner.
	Ft	√ Alarm wegen hohem Kondenswasserstand.	Leeren Sie die Ablaufwanne, indem Sie den Gummistopfen von der Abflussöffnung entfernen.

5) TECHNISCHE DATEN

- Eingangsspannung: 220 - 240 V AC – 50 Hz
- Klasse: I
- Nenneingangsspannung/Nennleistung beim Kühlen: 950 W/4,3 A
- Sicherungstyp und Nennwert: T-Typ, 250 V AC, 3,15 A
- Kühlkapazität 9.000 BTU
- Lautstärke: ≤ 65 dB(A)
- Maximale Kühlmittelfüllung: R290/200 g
- Maximaler Ansaugungs-/Austrittsseiten-Betriebsdruck: 0,7 Mpa/3,2 Mpa
- Mindestraumgröße 10 m² (Grundfläche)
- Maße: 74 x 32 x 32 cm (L x T x B)
- Gewicht: 25,5 kg

6) LAGERUNG UND TRANSPORT

- Wenn Sie das Gerät aufbewahren, sollte es zuerst, wie in der Bedienungsanleitung beschrieben, gereinigt werden.
- Entleeren Sie das restliche Wasser.
- Die Verdampfung im Gerät muss gut ausgetrocknet sein.
- Das Gerät sollte in der Originalverpackung in aufrechter Position aufbewahrt werden.
- Das Gerät sollte sich in einem Raum ohne sich ständig in Betrieb befindlichen Quellen wie offene Flammen, gasbetriebene Geräte oder Gasöfen befinden.
- Bewahren Sie das Gerät immer in einem trockenen und gut belüfteten Raum und außerhalb der Reichweite von Kindern auf.
- Schützen Sie das Gerät während des Transports gegen Vibrationen und Stöße.

Die Änderung aller Inhalte und der technischen Daten in dieser Anleitung ist ohne vorherige Ankündigung vorbehalten.

ANWEISUNGEN ZUM SCHUTZ DER UMWELT

(EEAG, Rückgewinnung von Elektro- und Elektronik-Altgeräten)



Ihr Produkt wurde aus hochwertigen Materialien und Komponenten hergestellt, die man recyceln und wiederverwenden kann. Am Ende seiner Lebensdauer darf dieses Produkt **nicht** im normalen Hausmüll entsorgt werden, sondern muss zu einer speziellen Sammelstelle für das Recycling von elektrischen und elektronischen Geräten gebracht werden. Der Mülleimer ist durchgestrichen. Weitere Informationen finden Sie in der Bedienungsanleitung oder auf der Verpackung. Die Rohstoffe sind wiederverwertbar.

Durch die Wiederverwertung der Altgeräte oder Rohstoffe leisten Sie einen wichtigen Beitrag zum Schutz unserer Umwelt. Sie können die nächstgelegene Sammelstelle bei Ihrer Gemeinde erfragen.



EC Declaration Of Conformity

We,
Mascot Online BV
Veluwezoom 32
1327 AH Almere
The Netherlands

Declare under our sole responsibility that the product:

- Product Brand: Dutch Originals
- Product Model No: DO-CH-ACON090
- Product Description: Portable air conditioner 9000 BTU
- Product Rating: 220 - 240 Vac, 50Hz, Class I, 950W

Following the provisions of the Directives:

- Electromagnetic Compatibility (EMC): 2014/30/EU
- Energy Related products (ERP): 2009/125/EC, (EU) No 626/2011, 2010/30/EU, 2014/C 110/01
- Low Voltage Directive (LVD): 2014/35/EU
- Restriction of the use of certain Hazardous Substances in Electrical and Electronic Equipment (RoHS) Directive: 2011/65/EU, with its amendment 2015/863/EU

And standards to which Conformity is declared:

EMC:

- EN 55014-1:2017
- EN 55014-2:2015
- EN 61000-3-2:2014
- EN 61000-3-3:2013

ERP:

- Commission communication in the framework of the implementation of Commission Regulation (EU) No 206/2012 of 6 March 2012 implementing Directive 2009/125/EC of the European Parliament and of the Council with regard to ecodesign requirements for air conditioners and comfort fans and of Commission Delegated Regulation (EU) No 626/2011 of 4 May 2011 supplementing Directive 2010/30/EU of the European Parliament and of the Council with regard to energy labelling of air conditioners (2014/C 110/01)

LVD:

- EN 62233:2008
- EN 60335-1: 2012/A13: 2017
- EN 60335-2-40:2003/A13:2012

Date & place of issue: Almere, 1-1-2020

Authorized Signature name: B. van Dijk
Title: Managing Director

