

# Assembly instruction | Wire barchair with seat 65 & 75cm



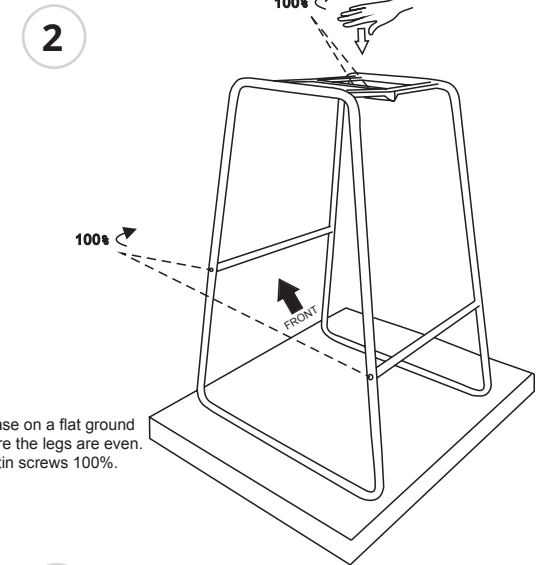
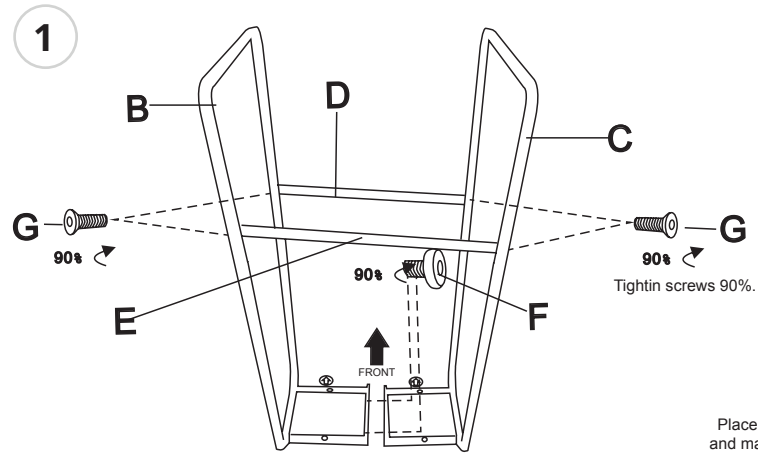
Seat options



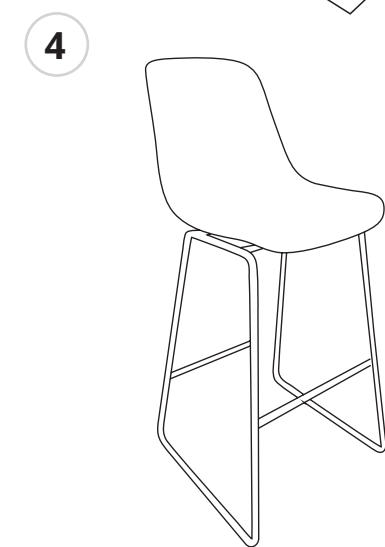
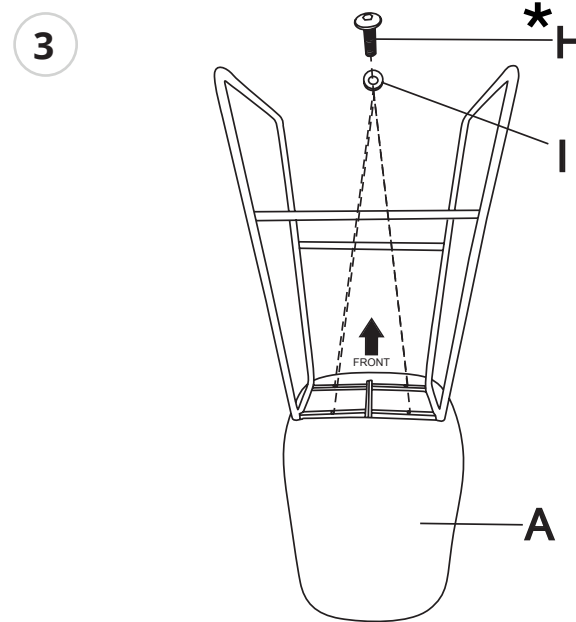
Included parts

<b>A</b> x1	<b>B</b> x1	
Seat		
<b>C</b> x1	<b>D</b> x1	400mm
<b>E</b> x1	<b>F</b> x2	(M6*14)
420mm		
	<b>G</b> x4	(M6*25)
<b>H</b> x4	<b>J</b> x1	
(M6*20)		
<b>*</b>		
<b>I</b> x4		
(M6*16)		

**\* ATTENTION!**  
For upholsterd shell  
use different parts  
**[H]** -> M6\*22 screws



Place the base on a flat ground  
and make sure the legs are even.  
Then tighten screws 100%.



Notes

- We recommend that you re-tighten the screws after a while for optimum retention of your barchair.

