

REMINGTON

smooth & silky

ULTIMATE FACIAL HAIR KIT

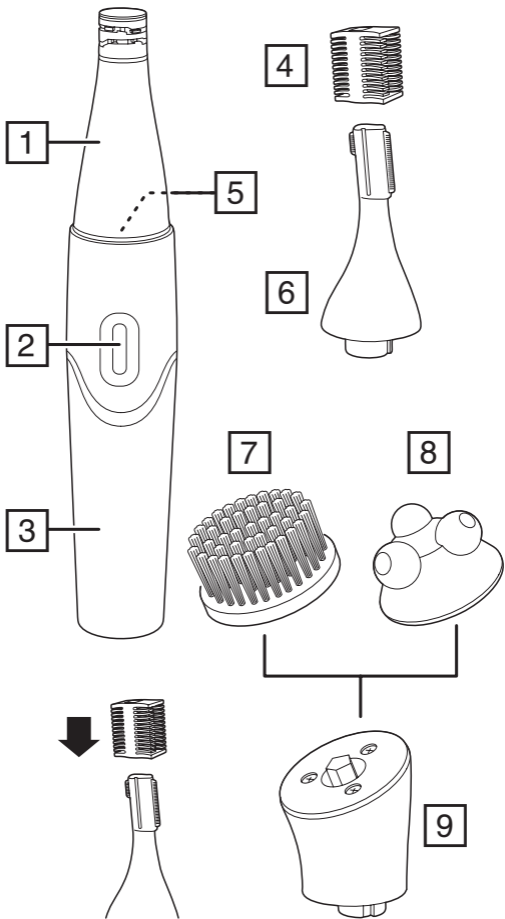


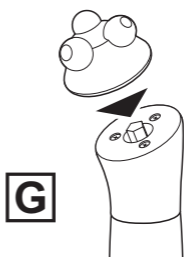
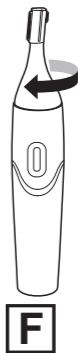
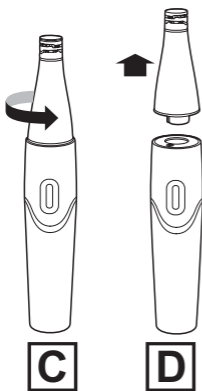
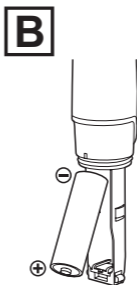
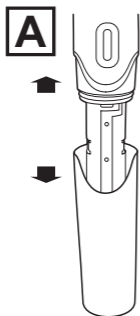
EP7070

 www.remington-europe.com

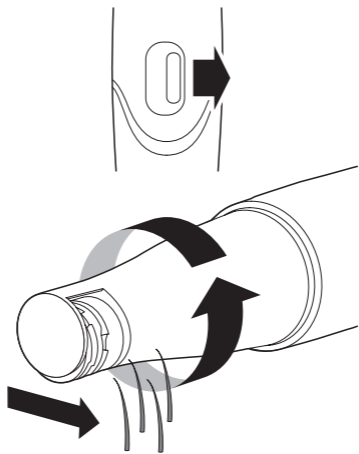
Register online for an EXTRA year guarantee

Visit uk.remington-europe.com/product-registration You must register within 28 days of purchase.

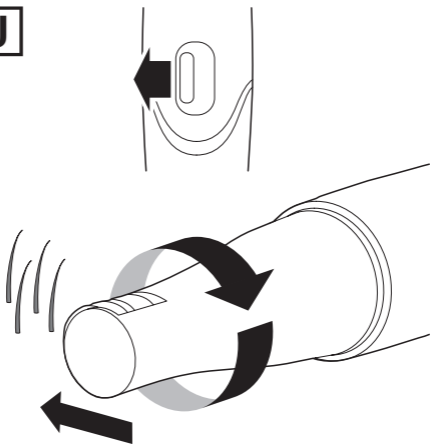




H



J



Thank you for buying your new Remington® product. Please read these instructions carefully and keep them safe. Remove all packaging before use.

IMPORTANT SAFEGUARDS

- This appliance can be used by children aged from 8 years and above and persons with reduced physical, sensory or mental capabilities or lack of experience and knowledge if they have been supervised/instructed and understand the hazards involved. Children shall not play with the appliance.
- Do not use attachments other than those we supply.
- Do not use the appliance if it is damaged or malfunctions.
- This appliance is battery operated only.
- This product uses batteries. At the end of their life the batteries must be removed from the appliance and be recycled or disposed of properly in accordance with your state and local requirements.
- Do not use the product on your eyelashes.
- This appliance is not intended for commercial or salon use.

BATTERY SAFETY

- Remove batteries if the unit is not in use for long periods.
- It is not recommended to use a rechargeable battery.
- Do not dispose of used batteries in a fire.
- Do not short circuit the battery contacts.
- Used batteries must be removed from the appliance, recycled or disposed of in an environmentally friendly way (see RECYCLING).

SAFETY PRECAUTIONS

- Avoid using on the delicate skin around the eyes.
- DO NOT use the facial cleansing brush on the same area more than twice a day.
- DO NOT use the facial cleansing brush on areas with open wounds, sunburnt skin, chapped or irritated skin.
- DO NOT use if you suffer from skin diseases or skin irritations such as severe/active acne or skin infection.
- DO NOT use if you are taking steroid-based medication.
- DO NOT use the cleansing brush with cleansers containing harsh chemicals or rough particles.
- If you wish to share this product with other users, for hygiene reasons, ensure you change the brush head. DO NOT share brush heads between multiple users.
- If you experience any pain or discomfort, stop using this product and contact your doctor.



PARTS

- | | |
|-------------------------------|---|
| 1. Facial epilator attachment | 7. Facial cleansing brush attachment |
| 2. Switch | 8. Massage attachment |
| 3. Battery compartment | 9. Adapter |
| 4. Comb | 10. Cleaning brush (not shown) |
| 5. Alignment marks (on rear) | 11. Epilator protective cap (not shown) |
| 6. Detail trimmer attachment | |
-

BEFORE FIRST USE

1. The device requires 1 'AA' battery (included). A lithium battery will last longest and is the type we recommend.
 2. Open the battery compartment by pulling the two halves of the body apart (fig. A).
 3. Insert the battery into the holder with the + terminal of the battery facing down as shown (fig. B).
 4. Close the battery compartment by pushing the two halves of the body together until they click.
-

FITTING/REMOVING ATTACHMENTS

1. To remove an attachment twist it counterclockwise (fig. C) and pull it up and away from the body (fig. D).
 2. To fit an attachment place it over the body (fig. E) with the mark on the rim of the attachment aligned with the  symbol on the body. Twist the attachment clockwise (fig. F) until the mark is aligned with the  symbol.
 3. The facial cleansing brush and massage attachments require the adapter to be fitted to the motor. Fit the adapter as described above then click the brush or massage head onto the adapter (fig. G).
-

INSTRUCTIONS FOR USE

GENERAL INFORMATION ON EPILATION

The rotating tweezers catch even short hairs and pull them out by the root. The hairs that grow back are soft and thin. Epilating leaves your skin smooth and hair-free for several weeks.

If you have not used an epilator before, or if you have not epilated for a long period of time, it may take a short while for your skin to adapt to epilation. The discomfort experienced at first is considerably reduced with repeated use as the skin adjusts to the process.

Using an epilator may cause reddening or irritation of the skin. This is a normal reaction that will quickly disappear. However, you should consult your doctor if the irritation has not disappeared within three days.

All methods of hair removal from the root can result in in-growing hair depending on the condition of the skin and hair. Regular exfoliation helps to prevent in-growing hair.

In some cases inflammation of the skin could occur when bacteria penetrate the skin (e.g. when moving the appliance over the skin). Thorough cleaning of the epilation head before each use will minimise the risk of infection.

USING THE FACIAL EPILATOR

1. Fit the facial epilator attachment.
2. Turn on the device by moving the switch to the left or right depending on the desired direction of rotation.
3. Select the direction of rotation so that the hair is pulled upwards and away from the skin as the device is moved against the direction of hair growth (see figures H and J).
4. It helps if you stretch the skin gently with your free hand so that the hairs stand upright.
5. Guide the epilator with gentle pressure. Don't press too hard as this may result in injury.
- When using for the first time, it is recommended that you epilate in the evening to allow for any possible reddening to fade overnight and then to apply a moisturiser to sooth the skin.

USING THE DETAIL TRIMMER

The detail trimmer gently removes unwanted hair and is ideal for use on the face, neckline, nose, ears and other small areas.

1. Fit the detail trimmer attachment.
2. Do not apply excessive pressure, doing so may damage the trimmer head or result in skin injury.
3. Never insert the trimmer more than 6mm into nose or ear. Objects should never come into contact with the eardrum.

TO TRIM UNWANTED HAIR

1. Hold the trimmer against the skin and apply gentle pressure.
2. Trim against the direction of hair growth.

TO TRIM THE LENGTH OF THE EYEBROWS

1. Slide the eyebrow comb over the trimming head with the appropriate side of the comb facing out.

TO SHAPE THE EYEBROWS

1. Hold the detail trimmer at a right angle to your skin and press down gently.
2. Edge and shape the area as desired.

USING THE FACIAL CLEANSING BRUSH

1. Fit the adapter and facial cleansing brush attachment.
2. Moisten the brush bristles by running under water. DO NOT use the brush whilst completely dry as this can cause skin irritation.
3. Dampen your skin with water and apply cleanser onto your skin. Alternatively, apply your cleanser directly onto the brush.
4. Place the brush directly onto your skin and switch on. You can select the direction of brush rotation using the switch.
5. Gently glide the brush over the skin in circular motions avoiding the delicate eye area.
6. For best results, we recommend replacing the brush head approximately every 3 months. Contact your nearest Remington service centre for more information.

USING THE MASSAGER

1. Fit the adapter and massage attachment.
2. Place the massager directly onto your skin and switch on.
3. Gently glide the massager over the skin in circular motions.

CLEANING AND MAINTENANCE

- Ensure the device is turned off before cleaning.
 - To clean the product, wipe it with a damp cloth and dry immediately.
 - Facial epilator—use the supplied cleaning brush.
 - Facial cleansing brush—rinse the brush after each use.
 - Detail trimmer—use the supplied cleaning brush.
-

RECYCLING



To avoid environmental and health problems due to hazardous substances, appliances and rechargeable and non-rechargeable batteries marked with one of these symbols must not be disposed of with unsorted municipal waste. Always dispose of electrical and electronic products and, where applicable, rechargeable and non-rechargeable batteries, at an appropriate official recycling/collection point.

SERVICE AND GUARANTEE



Defects affecting product functionality appearing within the guarantee period will be corrected by replacement or repair at our option provided the product is used and maintained in accordance with the instructions. Your statutory rights are not affected.

To claim an extra 1 year guarantee, register your product online within 28 days of purchase.

Register at: <https://uk.remington-europe.com/product-registration>

Consumables are guaranteed only for their recommended lifecycle.

Replacement/spare parts* are excluded and are only covered by a 1 year warranty.

*Examples include, but are not limited to, adaptors, haircare attachments, grooming accessories, etc.

SERVICE CENTRE

UNITED KINGDOM

 0800 212 438 (free call mainland UK)

Spectrum Brands (UK) Ltd

Fir Street, Failsworth, Manchester

M35 0HS, UK

www.remington.co.uk

IRELAND

 142 951 40

Remington Consumer Products,

Unit B12, Ballymount Corporate Park,

Ballymount, Dublin 12

<https://ie.remington-europe.com>

Ref. No. EP7070

Type No. EP01A

19/UK/ EP7070 T22-7000643 Version 06 /19

Remington® is a Registered Trade Mark of Spectrum Brands, Inc., or one of its subsidiaries.

Spectrum Brands (UK) Ltd

Fir Street,
Failsworth,
Manchester

M35 0HS

www.remington.co.uk

© 2019 Spectrum Brands, Inc.