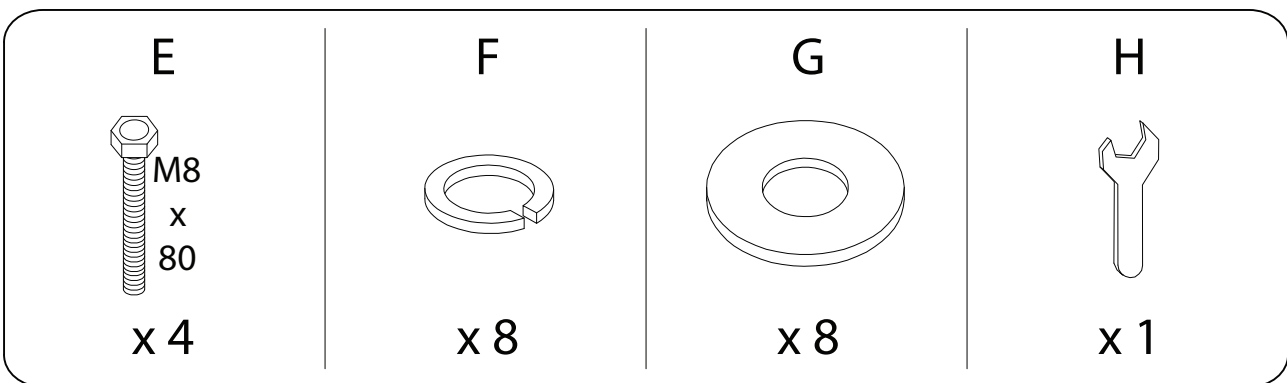
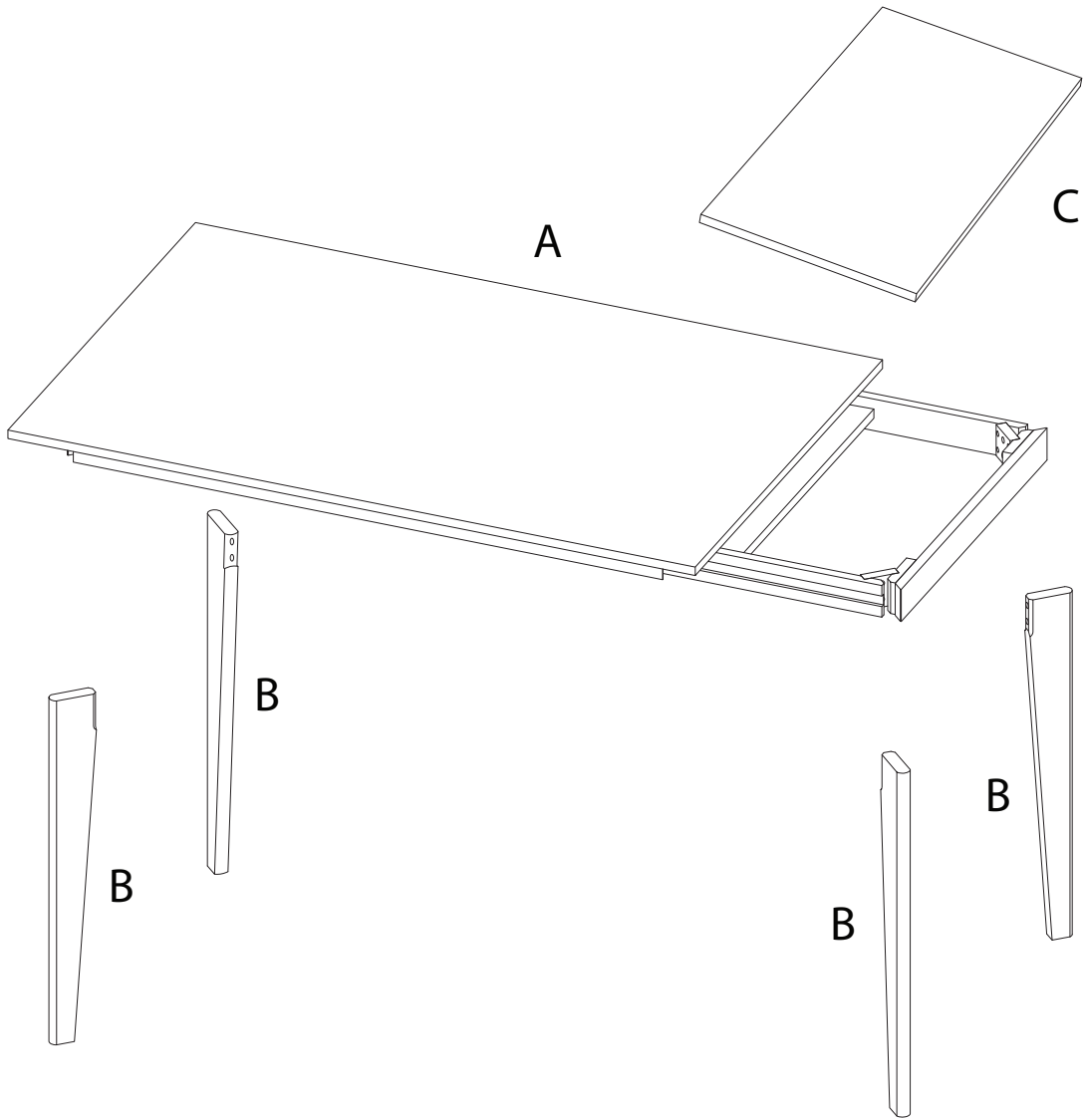
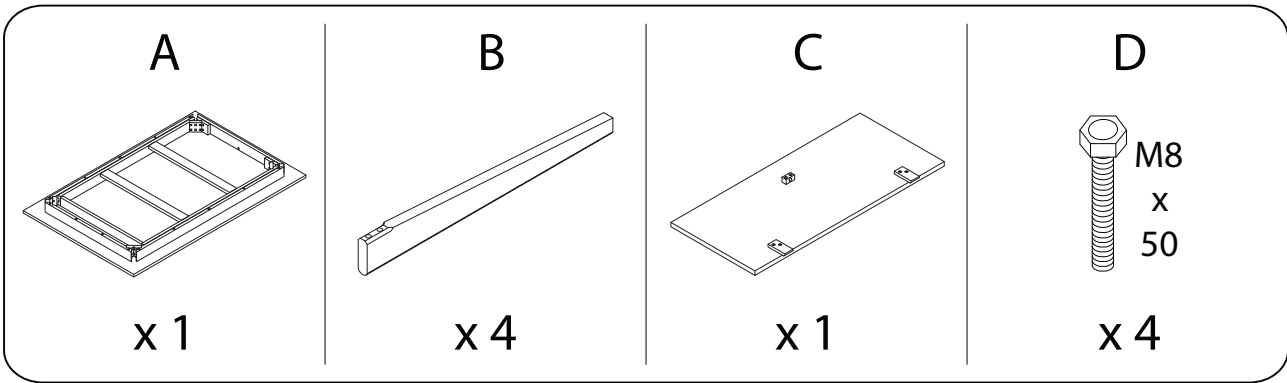


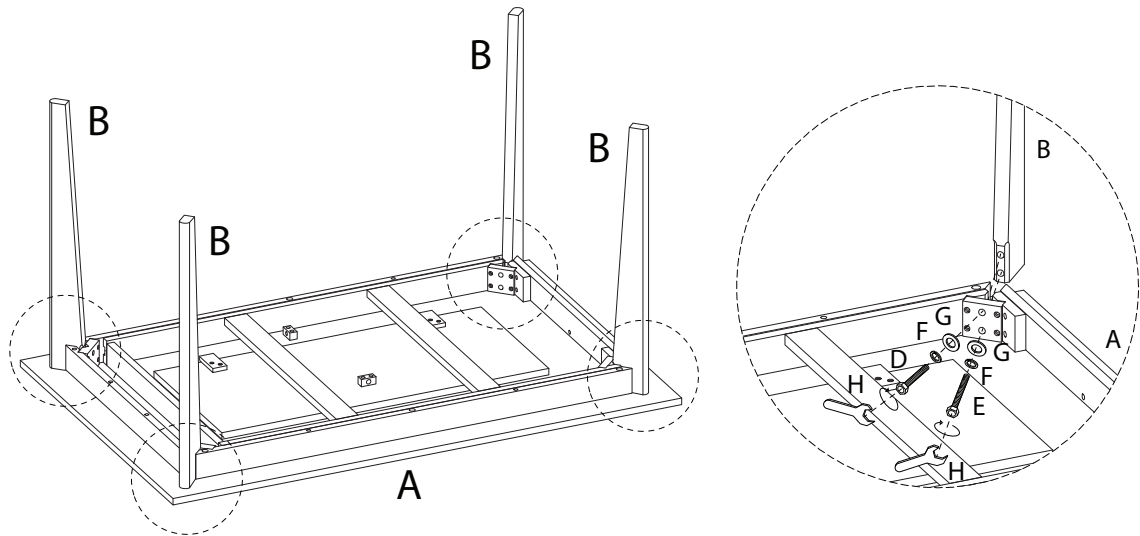
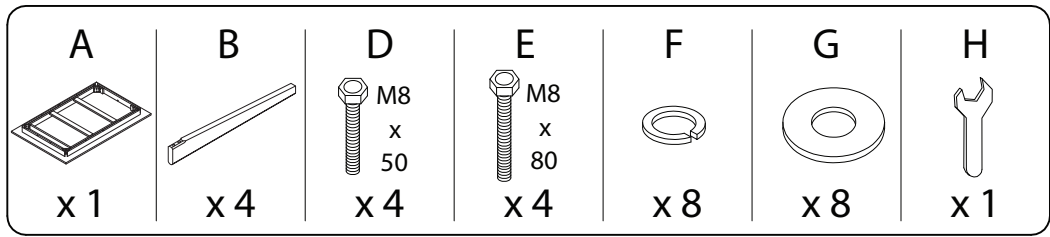
Assembly instructions for step 1/4:

- Tools:** A wrench is required. A power drill is not required (indicated by a crossed-out drill icon).
- Warnings:** Two warning triangles with exclamation marks are present, indicating potential hazards.
- Time:** The estimated assembly time is 20 minutes, represented by a clock icon.
- Personnel:** Two people are required for assembly, represented by a person icon and the number 2.

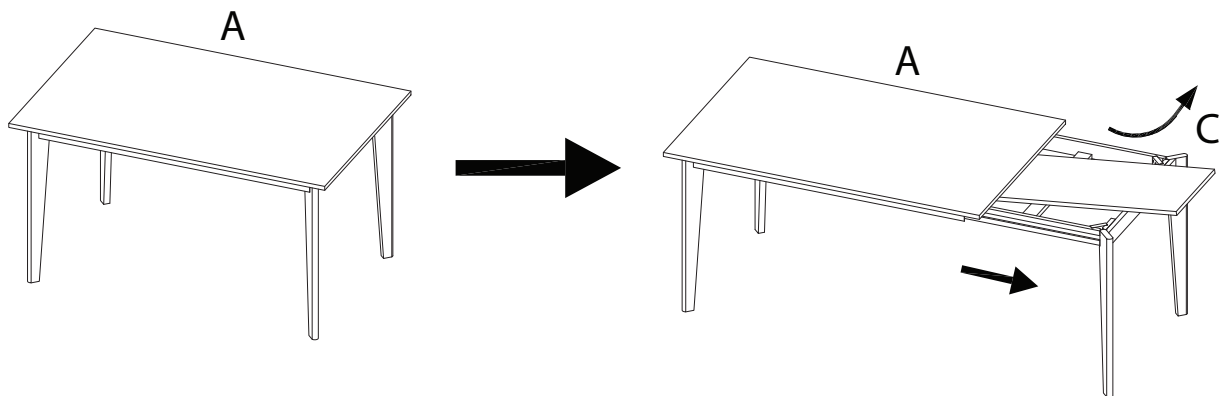
1/4



1



!



2

