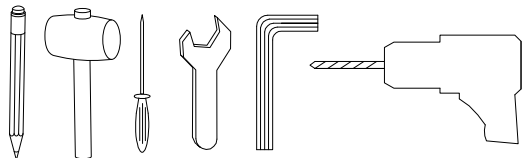
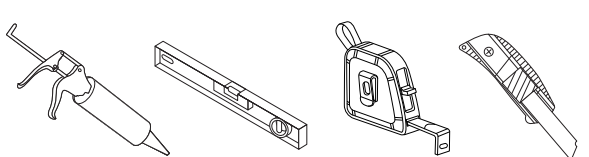
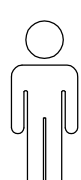


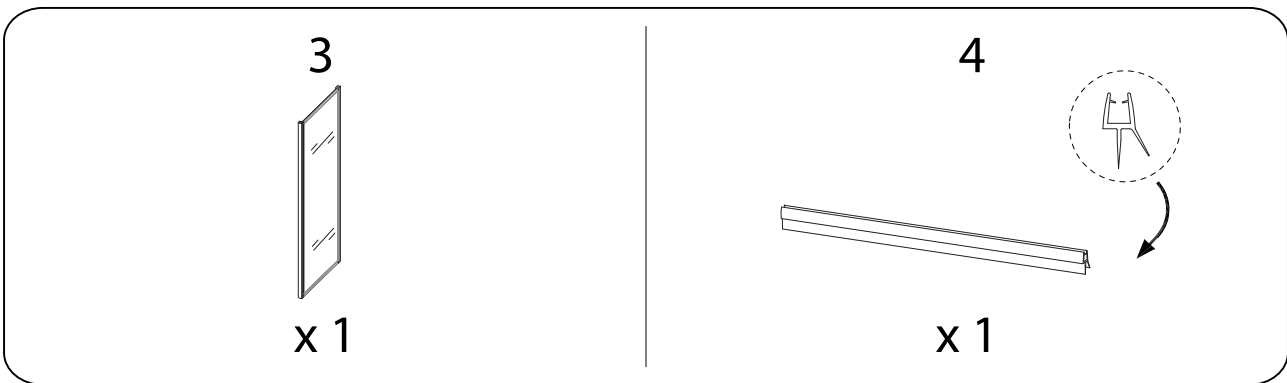
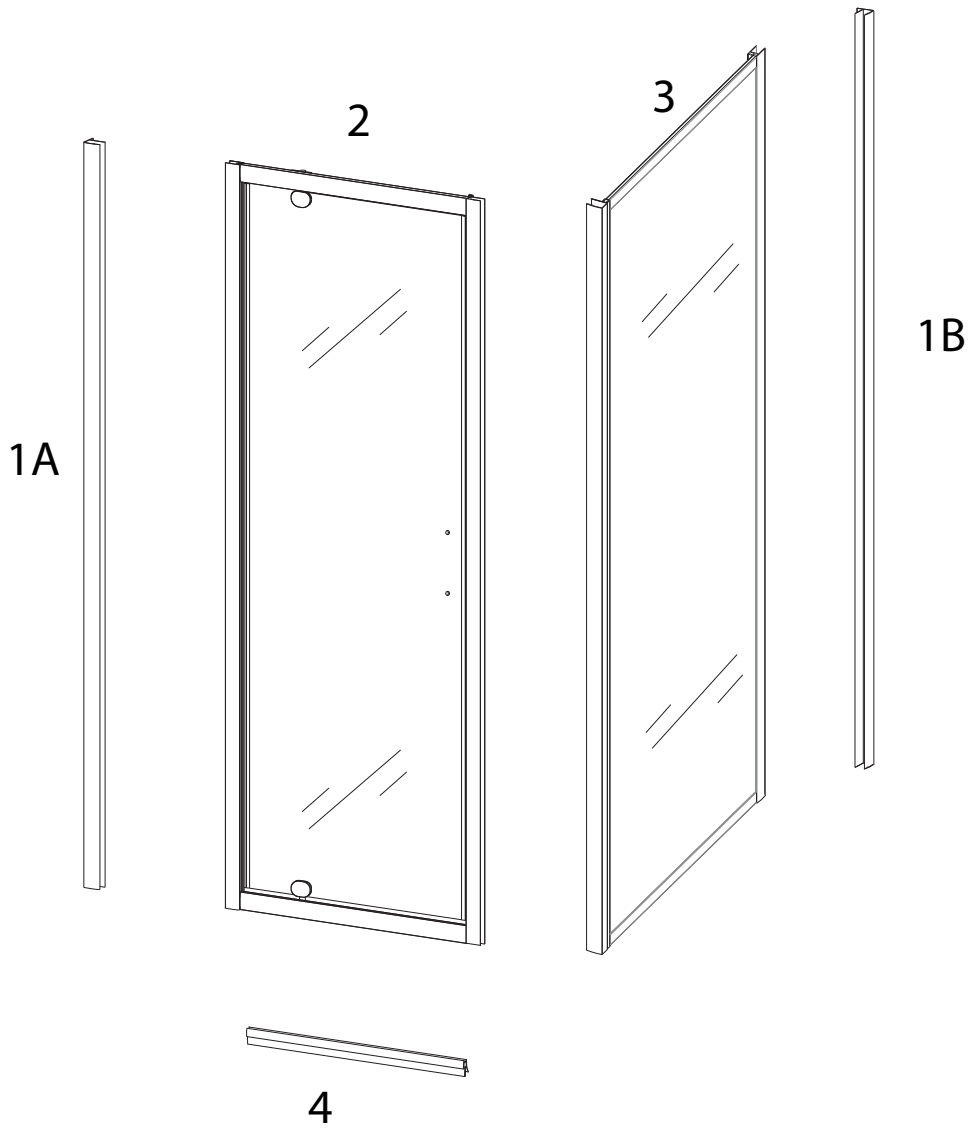
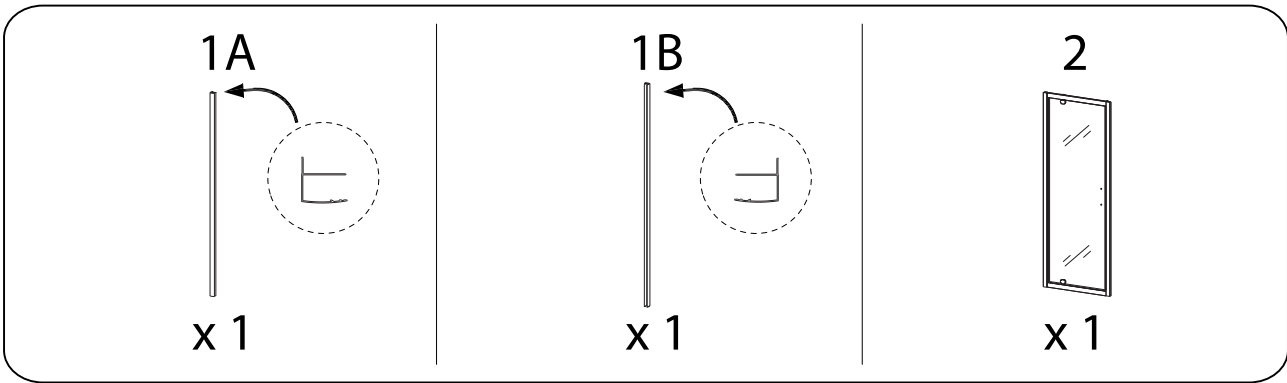
!  !

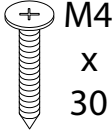
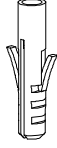
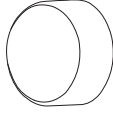

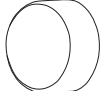

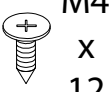

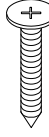
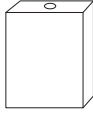
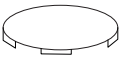
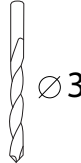
!  !

120'

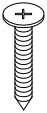





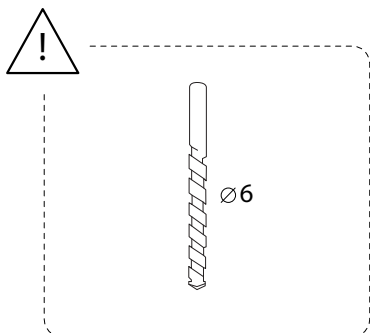
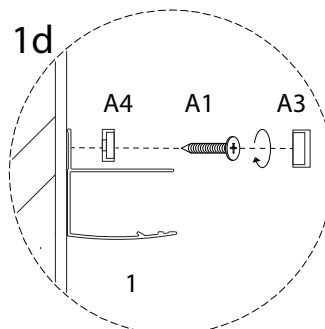
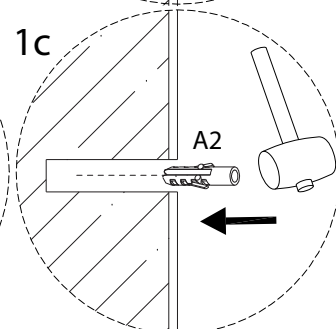
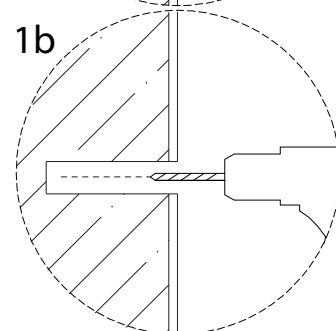
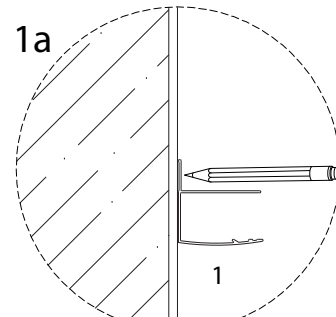
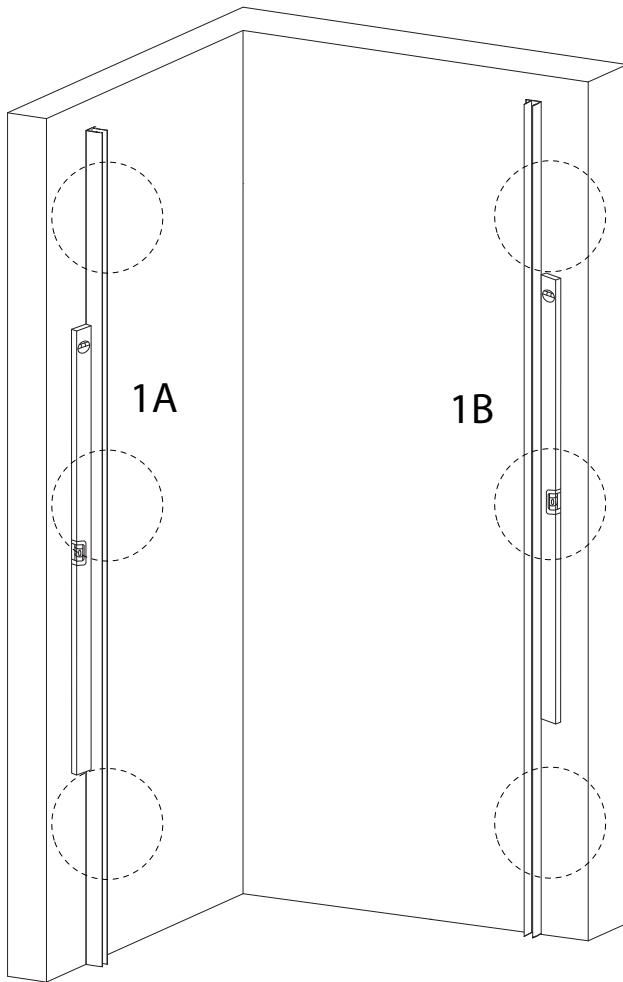
2



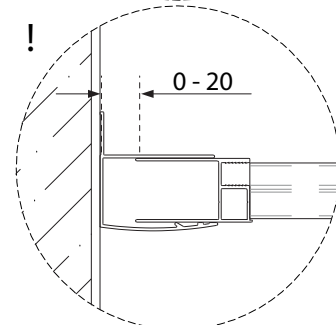
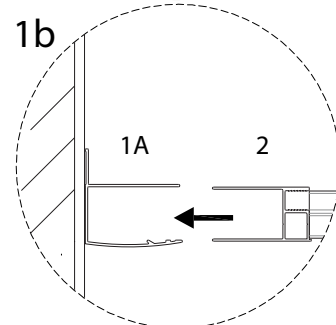
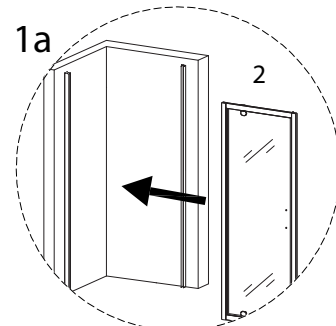
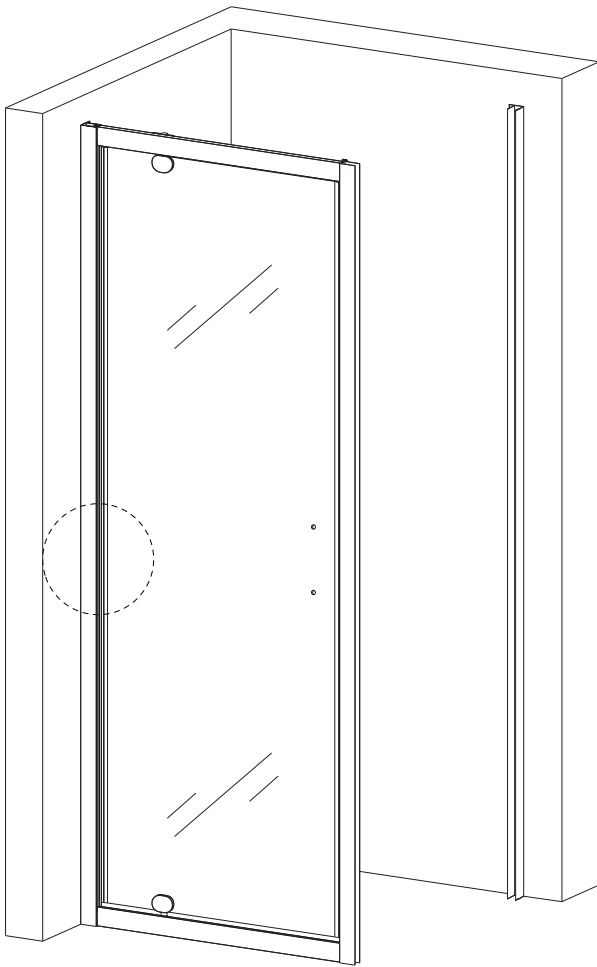
<p>A1</p>  <p>M4 x 30</p> <p>x 6</p>	<p>A2</p>  <p>x 6</p>	<p>A3</p>  <p>x 6</p>
<p>A4</p>  <p>x 6</p>	<p>B1</p>  <p>x 9</p>	<p>B2</p>  <p>x 9</p>
<p>B3</p>  <p>M4 x 12</p> <p>x 9</p>	<p>C1</p>  <p>x 1</p>	<p>C2</p>  <p>x 2</p>
<p>C3</p>  <p>x 2</p>	<p>C4</p>  <p>x 2</p>	<p>D</p>  <p>3</p> <p>x 1</p>

1

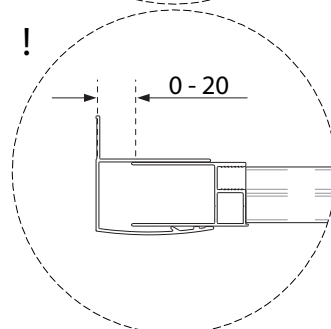
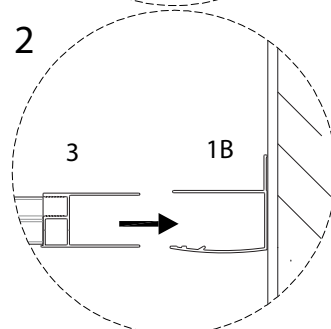
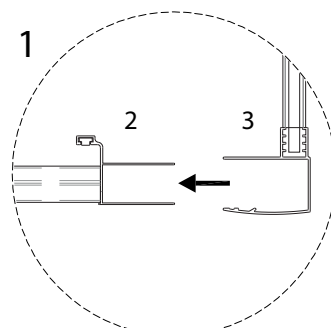
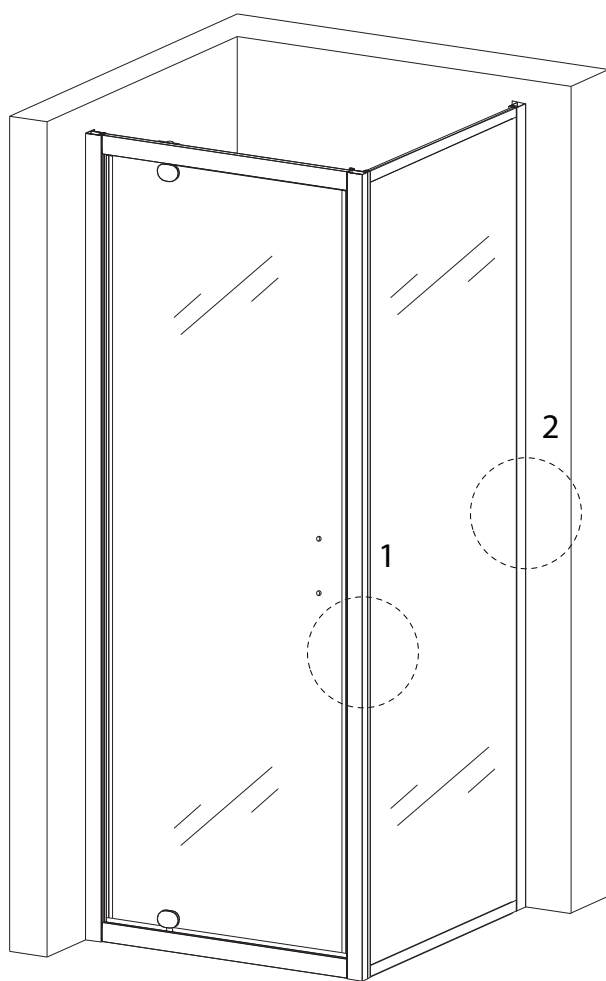
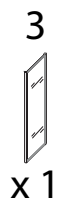
1A x 1	1B x 1	A1  M4 x 30 x 6	A2  x 6	A3  x 6	A4  x 6
-----------------------	-----------------------	---	--	---	---







2

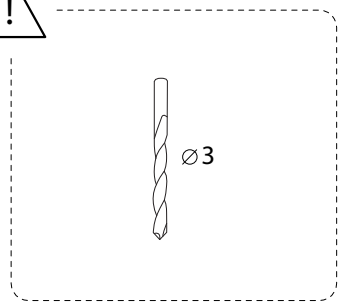
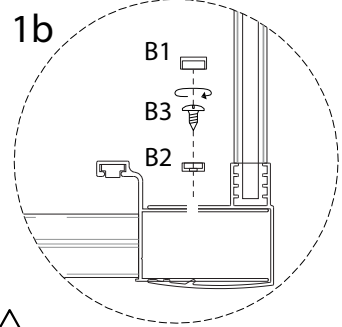
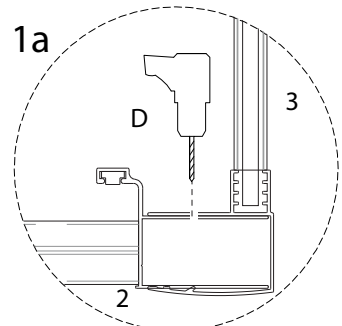
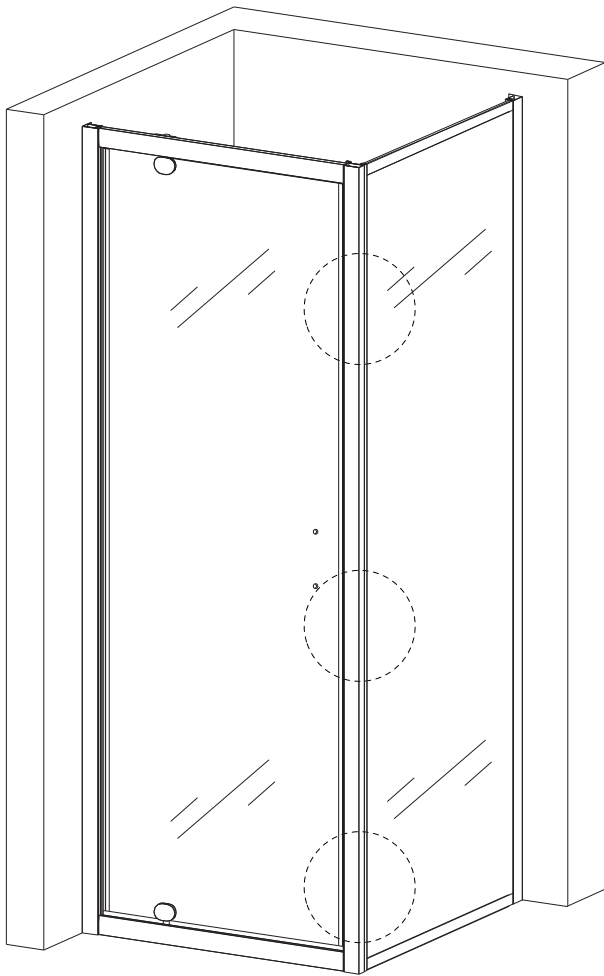


3



4

B1  x 3	B2  x 3	B3  M4 x 12 x 3	D  Ø3 x 1
---	---	---	--



5

B1



x 6

B2



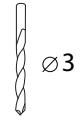
x 6

B3

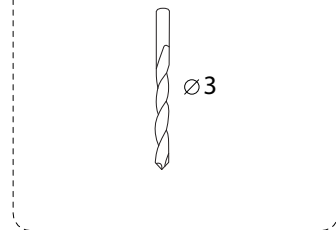
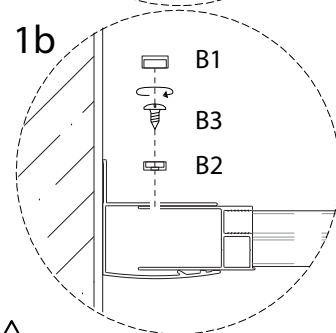
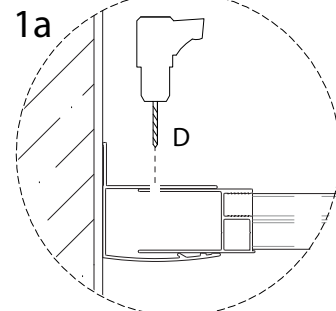
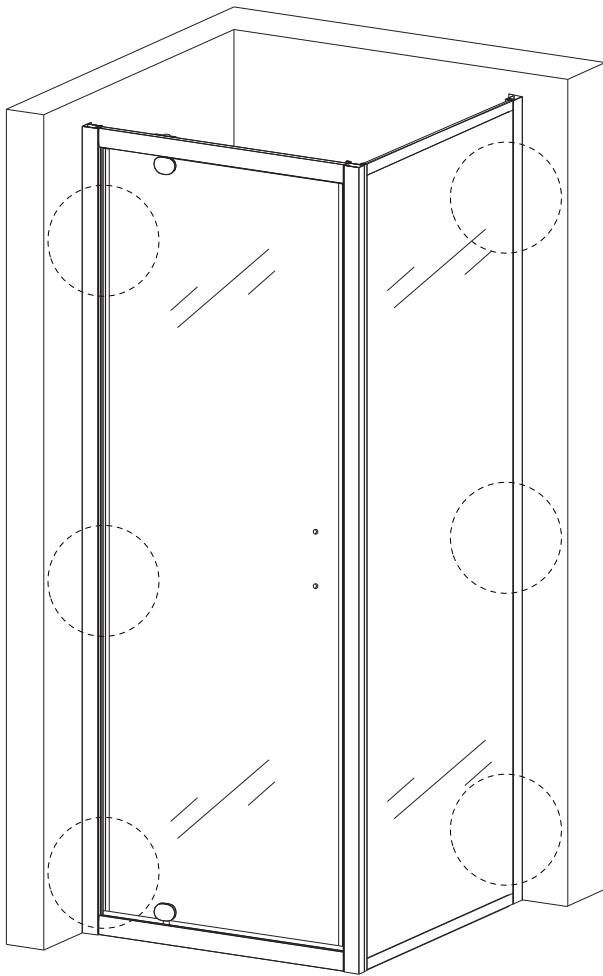


x 6

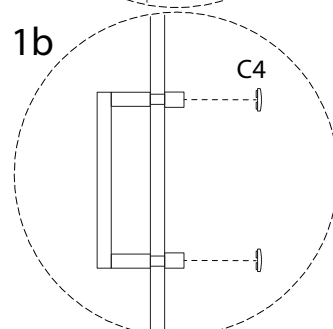
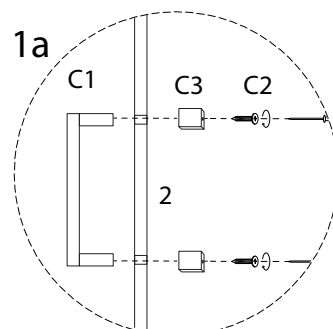
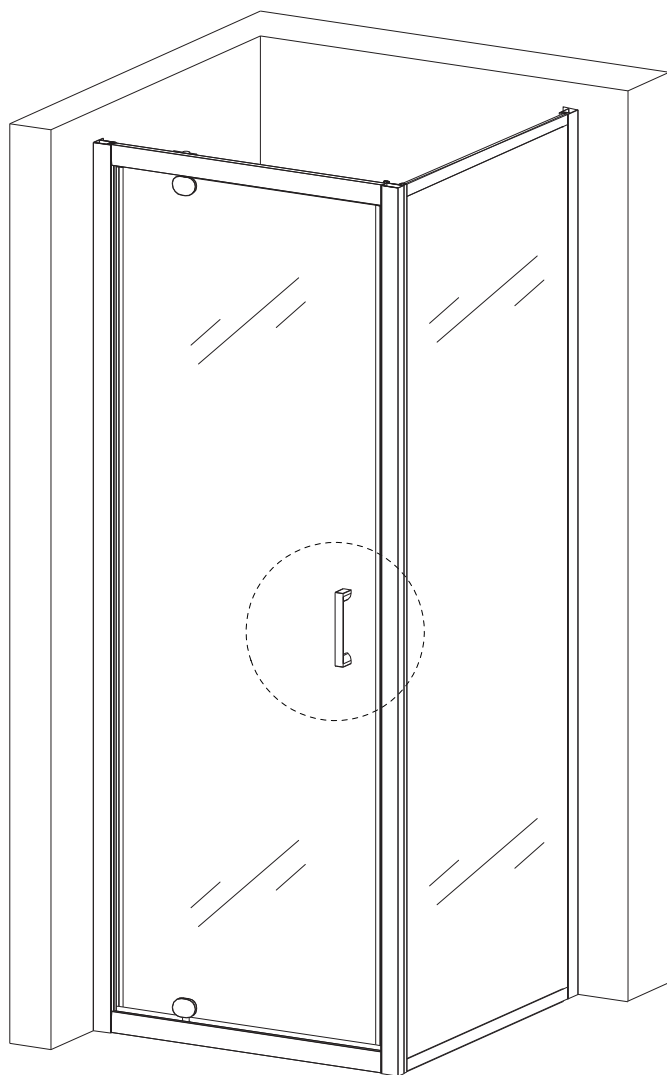
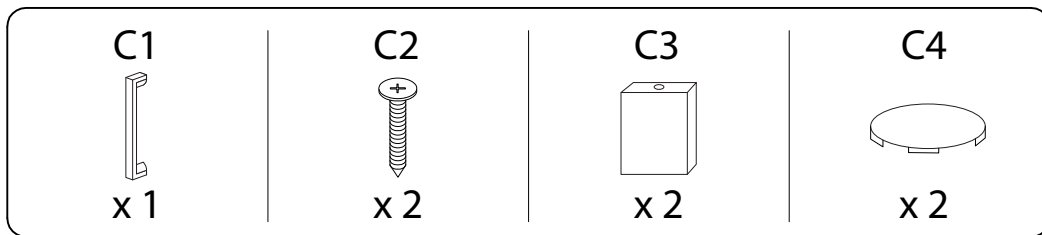
D



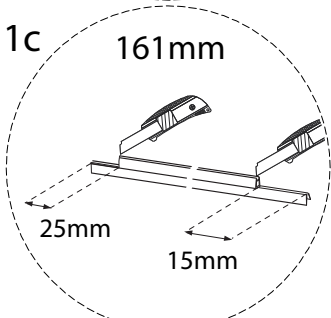
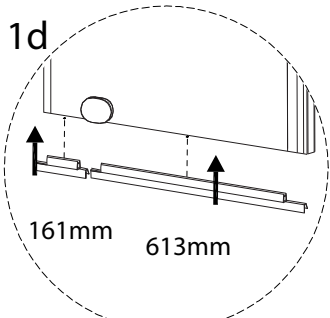
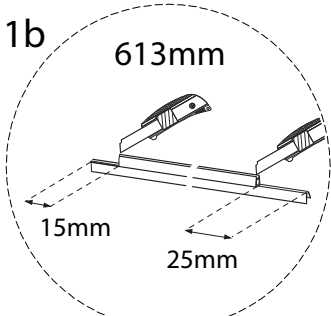
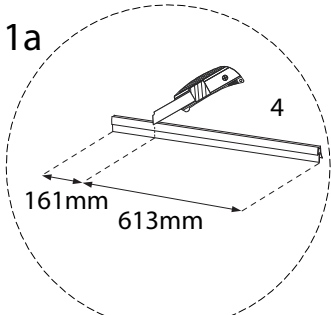
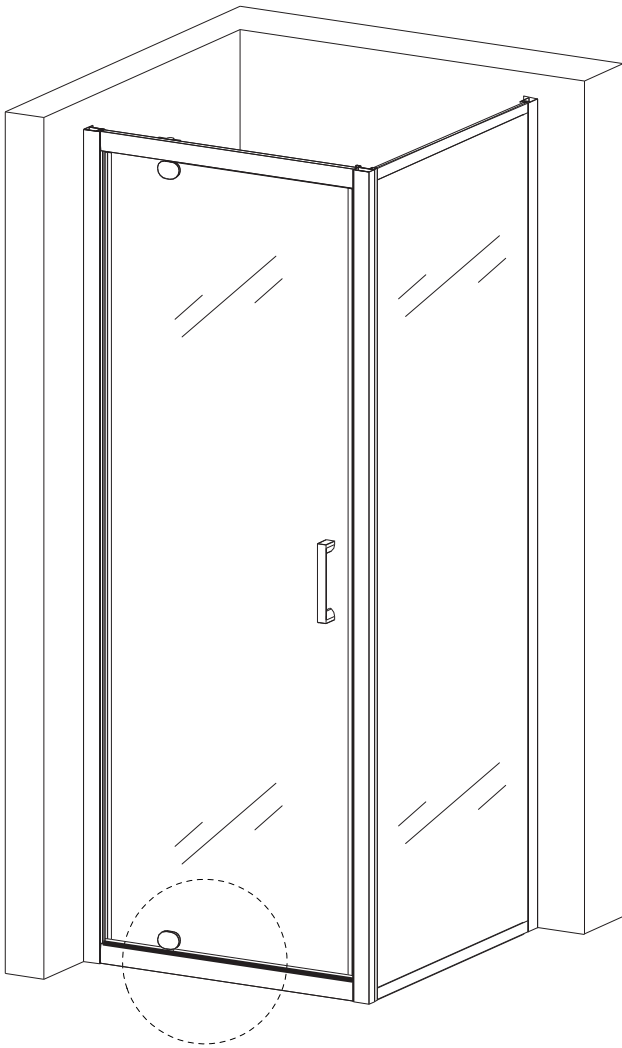
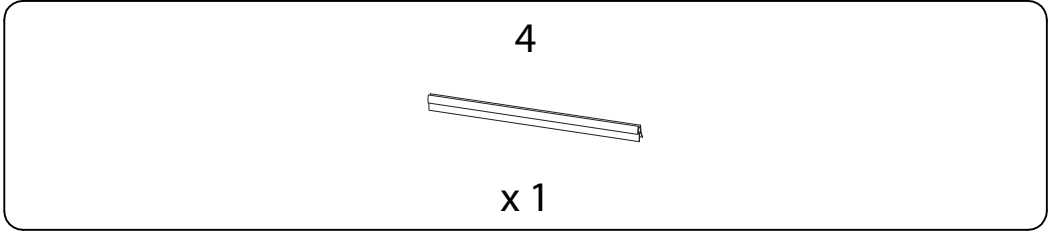
x 1



6



7



8

