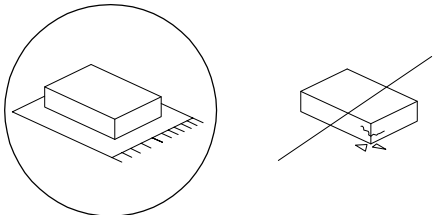
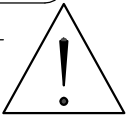

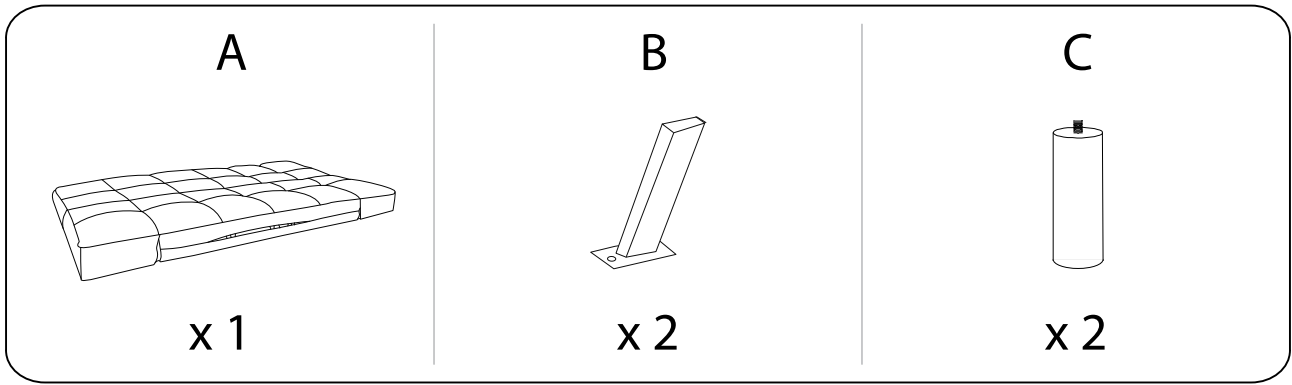
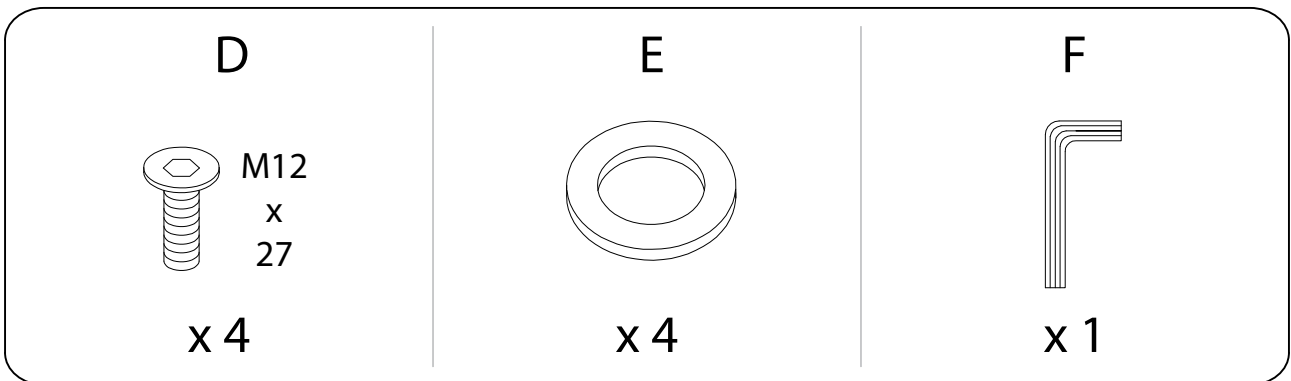
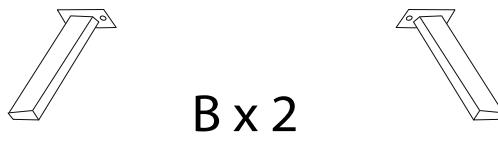
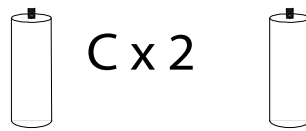
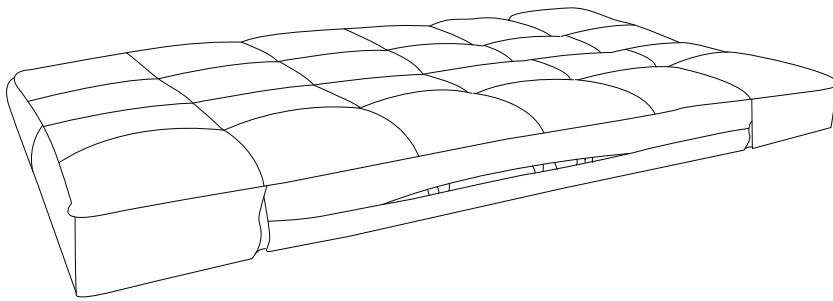
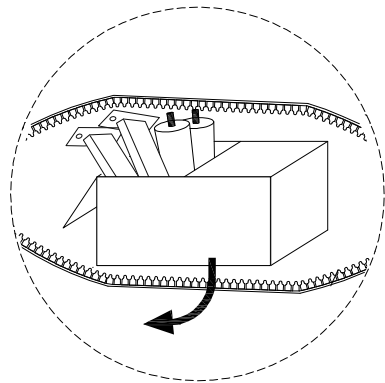
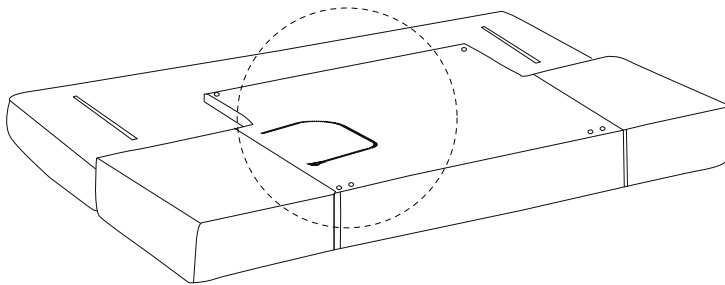
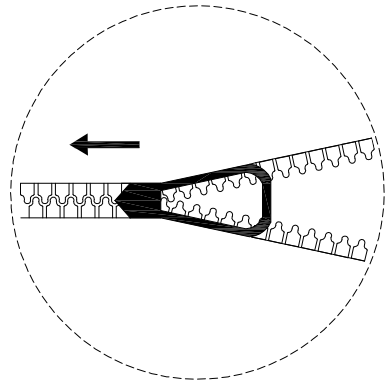

		15'
		
		1



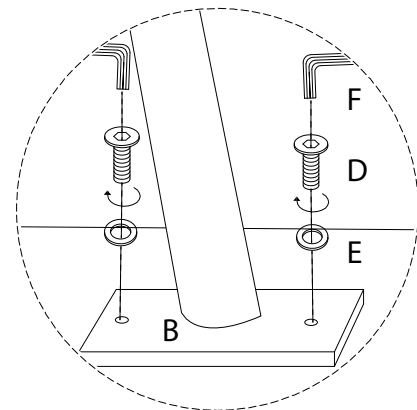
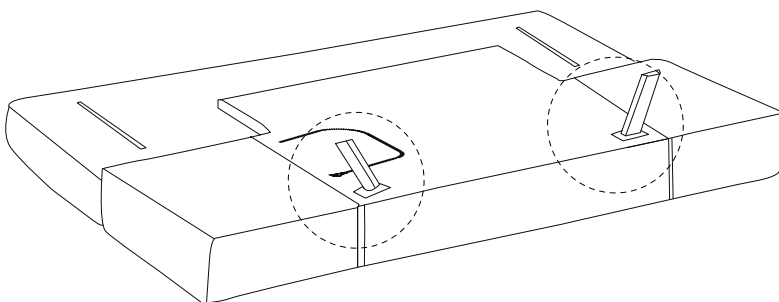
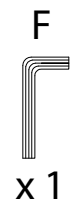
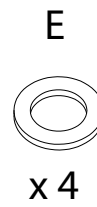
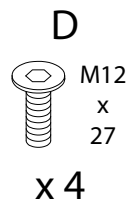
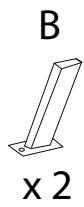
A x 5



!



1



2

C



x 2

