



User manual
Gebrauchsanweisung
Gebruikshandleiding
Mode d'emploi

GALAXY

PORTABLE BASKETBALL SYSTEM

OWNERS MANUAL



	⚠ WARNING! TWO CAPABLE ADULTS REQUIRED FOR ALL THE ASSEMBLY PROCEDURE. FAILURE TO FOLLOW THIS WARNING COULD RESULT IN SERIOUS INJURY AND/OR PROPERTY DAMAGE.
--	--

	⚠ WARNING! ES SIND ZWEI PERSONEN ERFORDERLICH FÜR DIE MONTAGE. EIN MISSACHTEN DIESER WARNUNG KANN ZU SCHWEREN VERLETZUNGEN UND/ODER SACHSCHÄDEN FÜHREN.
--	---

	⚠ WAARSCHUWING! ER ZIJN TWEE PERSONEN VEREIST VOOR DE MONTAGE. NEGEREN VAN DEZE INSTRUCTIES KAN LEIDEN TOT ERNSTIG LETSEL EN/OF SCHADE AAN BEZITTINGEN
--	--

	⚠ AVERTISSEMENT! IDEUX PERSONNES SONT NÉCESSAIRES POUR L'ASSEMBLÉE. SUIVEZ CET AVERTISSEMENT SOUS PEINE D'ENCOURIR DES BLESSURES GRAVES ET/OU DES DÉGÂTS MATÉRIELS.
--	---



	WARNING CHOKING HAZARD small parts Adult assembly required retain for future reference
--	---



English		4
Deutsch		16
Nederlands		28
Français		40
		52

Introduction

Congratulations on choosing a EXIT Galaxy basketball system!

Have fun, be active and play outdoors.....

That's what keeps driving us to develop innovative, quality toys for cool kids.

We do everything possible to develop safe products for children. As our products are classed as toys, we comply with the toughest consumer safety regulations. Before launching our products onto the market, we have independent tests carried out for certification. We also continuously test our production runs and periodically have independent tests performed again as a further check. Only products which live up to the highest EXIT Toys standard are marked with and recognized by the EXIT-brand.

"We want to thank you for your custom and your confidence in this product. We're sure your kids will have as much fun as we did during development. Being open-minded, we really appreciate all comments and ideas which will help us improve our products or develop new ones. You are invited to send your ideas to us at info@exit-toys.com"

Please visit www.exittoys.com and discover more cool new products.

The EXIT Toys team



SAFETY INSTRUCTIONS



FAILURE TO FOLLOW THESE SAFETY INSTRUCTIONS MAY RESULT IN SERIOUS INJURY OR PROPERTY DAMAGE AND WILL VOID WARRANTY.

Owner must ensure that all players know and follow these rules for safe operation of the system.

To ensure safety, do not attempt to assemble this system without following the instructions carefully. Check entire box and inside all packing material for parts and/or additional instruction material. Before beginning assembly, read the instructions and identify parts using the hardware identifier and parts list in this document. Proper and complete assembly, use, and supervision are essential for proper operation and to reduce the risk of accident or injury. A high probability of serious injury exists if this system is not installed, maintained, and operated properly.

- If using a ladder during assembly, use extreme caution.
- Two (2) capable adults are recommended for this operation.
- Seat the pole sections properly (if applicable). Failure to do so could allow the pole sections to separate during play and/or transport of the system.
- Climate, corrosion, or misuse could result in system failure.
- Minimum operational height is 6' 6" (1.98 m) to the bottom of backboard.
- This equipment is intended for home recreational use only and NOT excessive competitive play.
- Read and understand the warning label affixed to pole.
- The life of your basketball pole depends on many conditions. The climate, placement of the pole, location of the pole, exposure to corrosives such as pesticides, herbicides, or salts are all important.
- If technical assistance is required, contact customer Service.
- Adult supervision is recommended when adjusting height.

• DO NOT HANG ON RIM



*Most injuries are caused by misuse and/or not following instructions.
Use caution when using this system.*

TOOLS REQUIRED



• Two (2) Capable Adults



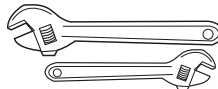
• Step Ladder 8ft.
(2.4 m)



• Tape Measure



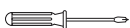
• Sawhorse or
Support Table



• Large and Small
Adjustable
Wrenches



• Hammer



• #2 or #3 Phillips
Screwdriver



• Sand



• Safety Glasses

General instructions for use

- Read the instructions before use and keep them throughout the lifetime of the product.
- Warning! Not suitable for children under 3 years due to small parts. Choking hazard.

Please note

- Regularly check the important parts of the product (backboard, rim, post, base, fastenings, etc) to make sure it is in a good state of repair. Without these regular checks, the product might topple over or present other risks to the user.
- We advise you to mount your backboard on the ground.
- This piece of equipment must not be misused.
- Not adhering to the safety instructions below may lead to seriously physical injury.
- For domestic use only.
- Product designed exclusively for novice basketball use.

When assembling

- It should be fitted by two adults only.
- Adhere to the assembly instructions (diagrams and text supplied)
- Position the product on a flat, stable surface at least 2 metres away from any structure of obstacle like a house, garage door, electrical wiring or cables, etc.
- Ground fastenings are not supplied.
- Before mounting the product, check with a professional builder that the screws are suitable for the support you intend to mount it on.
- The base must always be filled with sand to ensure that the whole system is stable.
- Never leave the system in a upright position without filling the base because it might topple over and cause injuries.
- When you adjust the height or move the system, keep you hands and fingers away from moving parts.
- Make sure that you fit the sections of the post together correctly, or they may come apart during play or when moving the system.

Storage

- If the product is stored outside, it must be placed far away from personal belongings and hanging cables and/or in a place protected from wind to prevent risks of toppling over.

Instructions for use in play

- Read the instructions below before using this product. Not adhering to these safety instructions may lead to serious physical injury and/or material damage.
- Children using this product should be under the constant supervision of an adult.
- Outdoor or indoor use (allow sufficient ceiling height to be able to play at a maximum height of 3.05 m).
- When adjusting the height or moving the system, keep you hands and fingers away from moving parts.
- It is essential that you check the state of repair of the system before every use. Never play using faulty equipment.
- Check the system (ballast, loose screws, excessive wear and signs of corrosion) and that parts wich fit together are firmly fastened (backboard, rim, post and base, net, stability of the whole system) before each use. If necessary, repair before use.

- DO NOT HANG ON THE RIM, the net or any other part of the system, including the backboard and the posts.
- Do not climb, jump, slide or play on the base, post or frame.
- Do not shake the frame.
- Risk of strangulation with the net.
- During play, especially when dunking, keep your face away from the backboard, rim and net. You risk serious injury if your teeth or face come into contact with the backboard, rim or net.
- Do not allow a child to move or adjust the system alone. It must be adjusted or moved by an adult only.
- Before play, remove your jewellery (rings, watches, necklaces, etc). These objects may get caught in the net.
- The ground surface under the base must be smooth, with no gravel or other sharp objects.
- Keep organic substances away from the base of the post. Grass and rubbish etc. may cause corrosion and/or damage the system.
- Check the state of repair of the system (signs of corrosion like rust, holes, flaking) and repaint with outdoor enamel paint. If rust has worn through the steel at any point, replace the post immediately.
- Do not use the system when there are high winds and/or storms; the system may topple over.
- When you move the system, be careful to prevent the mechanism from becoming unbalanced.

Safety Instructions:

NOT COMPLYING WITH THESE SAFETY INSTRUCTIONS MAY CAUSE SERIOUS PHYSICAL INJURY, MATERIAL DAMAGE AND/OR THE CANCELLATION OF THE WARRANTY.

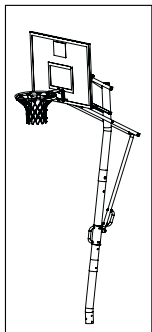
- The owner must ensure that all players know and adhere to the instructions for using and assembling the system.
- Correctly and full assembly, use and supervision are essential for the system to work properly and to reduce the risks of accident or injury. Serious injuries are very likely if the system is not fitted, maintained and used correctly.
- If you use a ladder for assembly (solution not recommended for assembling this system), make sure you are extremely careful.
- Weather conditions, corrosion or misuse may damage the system.
- When assembled, the base MUST be filled with sand at all times.
- All EXIT Galaxy basketball systems, including those used for display, must be assembled and filled with sand, as per the instructions. If you do not adhere to these instructions you risk SERIOUS INJURIES.
- Do not design yourself and use a ballast system other than the one recommended. Most injuries are caused by misuse and/or not adhering to the instructions. Be careful when you use this system.

Care and Warranty

To ensure that your product lasts, we advise you to:

- Adhere to the usage and assembly procedures.
- Check the system before each use (ballast), loose screws, excessive wear and signs of corrosion) and if necessary make repairs.
- Regularly inspect and tighten screws and small parts to prevent slack and risks of injury.
- Do not use detergent products to care for the system. Wash with clear or soapy water.

Parts list #1

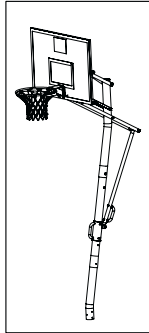


use the accompanying parts list drawings as from page 52

Part.Nr.	Description	#
1	Top Pole	1
2	Middle Pole	1
3	Bottom Pole	1
4	Adjustment Slider	1
5	Adjustment Knob	1
6	Bottom Arm	2
7	Upper Arm	2
8	Spring Arm	2
9	Upper Arm Connector	1
10	Backboard Bracket	1
11	Arm Bracket	4
12	Spring Pieces	2
13	Adjustment Arm	1
14	Rear Handle Piece	1
15	M10 Plastic Washer	6
16	M12 Washer	12
18	Big Plastic Spacer	4
19	Backboard	1
20	Rim	1
48	Dunk Rim	
21	Net	1

Enclosed are the current specifications and product features available at time of printing, however, changes may be made in equipment, availability, specifications and features without notice.

Parts list #2

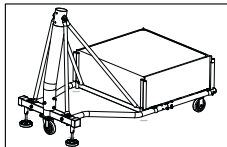


use the accompanying parts list drawings as from page 52

Part.Nr.	Description	#
A22	M12X225 Bolt	6
A17	M10X135 Bolt	3
C4	M12 Locknut	6
C3	M10 Locknut	5
A11	M10X60 Bolt	2
C2	M8 Locknut	8
C1	M6 Locknut	2
A4	M8X40 Bolt	4
C5	M10 Locknut with cap	7
A14	M10X88 Bolt	1
A2	M6X95 Bolt	2
D2	M8 Washer	4
A8	M10X100 Bolt	6
A5	M8X50 Bolt	4
D3	M10 Washer	6
G1	M8 Spring Washer	6
F2	M10 Arc Washer	6
B1	M8X55 Button Bolt	2
F1	M8 Arc Washer	2
	Hex Key	1

Enclosed are the current specifications and product features available at time of printing, however, changes may be made in equipment, availability, specifications and features without notice.

Parts list #3



use the accompanying parts list as from page 52

Part.Nr.	Description	#
22	Front base assembly	1
23	Front base frame	1
24	Back base frame	1
25	Wheel Carriage Assembly	2
26	Adjustment foot	2
27	Support Pole	4
28	Left rear strut	1
29	Right rear strut	1
30	Left strut	1
31	Right strut	1
32	Sandbag box	1
33	Sandbag	3
34	Z-Plate	2

Part.Nr.	Description	#
A13	M10X80 Bolt	2
A12	M10X65 Bolt	2
D3	M10 Washer	8
A29	M6X45 Bolt	2
B1	M8X55 Button Bolt	6
D2	M8 Washer	8
F1	M8 Arc Washer	6
C2	M8 Locknut	8
C3	M10 Locknut	5
A8	M10x100 Bolt	3
F2	M10 Arc Washer	3
A27	M10x120 Bolt	1
A30	M8x45 Bolt	6
C1	M6 Locknut	4
G1	M8 Spring Washer	6
C5	M10 Locknut with cap	3

1

use the accompanying assembly drawings starting on page 58

1. Insert the M6X95mm bolts (A2) and M6 locknuts (C1) into the middle pole (2).
2. Assemble the adjustment knob (5).
3. Slide the handle slider onto the middle pole (2).
4. Assemble another M6X95mm bolt (A2) and M6 locknut (C1).

2

1. Attach the top pole (1) to the middle pole (2) with three M10X100mm bolts (A8), three M10 arc washers (F2) and three M10 locknut with cap (C5).
2. Assemble bottom pole (3) using three M10X100mm bolt (A8) and three M10 arc washers (F2) and three M10 locknut with cap (C5) into the middle pole (2).

Do not tighten the bolt yet.

3

Attach the arm bracket (11) using two M8X40mm bolts (A4) and two M8 locknuts (C2) into the backboard (19). Repeat this step on the other side of the weight system.

4

Attach the backboard bracket (10) to the Ring (20) using four M8X50mm bolts (A5), four M8 spring washers (G1), four M8 washers (D2) and four M8 locknuts (C2), and attach this assembly to the backboard (19).

5

1. Attach the upper arm (7) to the arm bracket (11) using an M10X60mm bolt (A11), two M10 plastic washers (15), and M10 locknut (C3). Repeat this step on the other side of the weight system.
2. Attach the upper arm connector (9) to upper arm (7) using an M12X225mm bolt (A22), two M12 washers (16) and an M12 locknut (C4).

Do not tighten the bolt yet.

6

Attach SPRING arm (8) to backboard bracket (10) using an M10X135mm bolt (A17), two M10 washers (D3) and an M10 locknut (C3).

Do not tighten the bolt yet.

7

Attach the bottom arm (6) to backboard bracket (10) using an M12X225mm bolt (A22), two M12 washers (16), and an M12 locknut (C4).

Do not tighten the bolt yet.

8

Install the upper arm (7) to the top pole (1) using an M12X225mm bolt (A22), two M12 washers (16), two big plastic spacers (18) and an M12 locknut (C4).

Do not tighten the bolt yet.

9

Install the bottom arm (6) to top pole (1) using an M12X225mm bolt (A22), two M12 washers (16), two big plastic spacers (18) and an M12 locknut (C4).

Do not tighten the bolt yet.

10

Install the spring arm (8) to top pole (1) using an M10X135mm bolt (A17), two M10 washers (D3), two M10 plastic washers (15) and an M10 locknut (C3).

Do not tighten the bolt yet.

11

1. Assemble the rear handle (14). Attach the rear handle (14) to the adjustment arm (13) using two M8X55mm button bolts (B1), two M8 spring washers (G1), and two arc washers (F1).
2. Attach the adjustment arm (13) to the bottom arm (6) using an M12X225mm bolt (A22), two M12 washers (16), and an M12 locknut (C4). **Do not tighten the bolt yet.**
3. Then, attach the adjustment arm (13) to the adjustment slider (4) using an M10X88mm bolt (A14) and an M10 locknut with cap (C5). **Do not tighten the bolt yet.**

12

1. Assemble the spring (12). Attach the closed ends of the two springs (12) to the spring arm (8) using an M10X135mm bolt (A17), two M10 washers (D3), and an M10 locknut (C3).
2. Then, attach the spring (12) to the bottom arm (6) using an M12X225mm bolt (A22), two M12 washers (16), and an M12 locknut (C4).
3. Use a wrench to hang the spring (12) on the M12X225mm bolt (A22).

Note: Tighten all of the bolts in the steps.

12 Do not over tighten the locknuts on the pivot parts.

13

Attach the Front base frame (23) into the Back base frame (24) using three M8X45mm bolts (A30) , three M8 arc washers (F1) and three M8 locknuts (C2). Repeat this step on the other side of the weight system.

14

Attach the wheel carriage assembly (25) using two M8X55mm button bolts (B1) , two M8 spring washers (G1) and two M8 locknuts (C2) . Repeat this step on the other side of the weight system.

15

1. Assemble the adjustment foot (26).
2. Attach the M10X65mm bolt (A12) , and M10X80 Bolt (A13), three M10 washers (D3), and two M10 locknuts (C3). Repeat this step on the other side of the weight system.
3. Fix the base frame

Tighten all of the bolts in the above steps.

16

1. Insert the support pole (27) into the sleeve and bottom tube using two M6X30mm bolts (A28) , two M6X45mm bolts (A29) and four M6 locknuts (C1).
2. Insert the support pole (27) into the sleeve on the sandbag box (32) .
3. Thread the four ropes of sandbag box (32) through the frame base tube and tie them on sandbag box (32) hook. Then pull the rope tight.

17

1. Fill sandbags, about 55 KG.
2. Attach the base and the main frame using three M10X100mm bolts (A8), three M10 arc washers (F2) and three locknuts with caps (C5) .
3. Rotate the main frame assembly so that the base stands horizontally on the floor, and then place a bag of sand.

18

Distinguish struts (28, 29, 30 and 31) to base frame.

19

First loosen the M10X100mm bolt assembled, the M10X100mm bolt isn't used in this system.

1. Attach rear struts (28,29) to Front Base Frame (23) using two M8X55mm button bolts (B1) and two M8 washers (D2), two M8 spring washers (G1) and two M8 locknuts (C2).

Do not tighten the locknuts.

2. Remove the M10X80mm bolts (A13) assembled on step 16.
3. Then, attach four struts (28, 29, 30 and 31) to the four base assembly (22) using two M10X80mm bolts (A13), four M10 washers (D3) and two M10 locknuts (C3).

Do not tighten the locknuts.

4. Attach struts (28, 29, 30, and 31) to the bottom pole (3) using an M10X120mm bolt (A27), two M10 washers (D3) and an M10 locknut with cap (C5).

Finally, tighten all of the bolts in this step.

20

1. Make sure all the bolts are tightened in the system.
2. Place the other sandbags (33). Pull the zipper well.

21

1. Use the rear handle for adjusting the rim height.
2. Use the front handle for moving the system.
3. In case of uneven ground, you can adjust the adjustment foot.

Note: Check whether the entire system is tight. If the system is loose, please correct and tighten all the nuts.

22

Instructions:

A. To adjust the rim height, follow the steps below:

1. Turn the knob to free the adjustment knob (5). See picture (1);
2. Then grasp the slider handle and rear handle (14) to pull the frame up or down to a hole preferred by you and click the knob back. See picture(3);
3. Tighten the adjustment knob (5). See picture (2).

B. In case of uneven ground, you can adjust the adjustment foot. See picture(4).

C. To move the basketball system, follow steps below to adjust:

1. Loosen the two M12 nuts, turn the two adjustment feet back, which should lower the wheel carriage assembly. See picture (5).
2. Move to the right place. Turn the two feet higher than the front base assembly and adjust their length to make sure the system is even with the ground. See picture (6).
3. Tighten M12 nut securely.

Note: This step requires two people.

23

1. Fix the frame to the surface

Warranty

1. After the date of the purchase invoice, the owner of the EXIT Toys Galaxy System has a:
 - 2-year warranty on the the steel frame.
 - 1 year warranty on the backboard and rim.
 - 6-months warranty on the sandbag box and sandbags.Parts subject to wear and tear (such as the net): **no warranty**.
2. The warranty applies only to the material and construction defects with respect to this product or its components.
3. The warranty becomes defunct if:
 - This product is used incorrectly and/or carelessly and is used in such a way that it does not comply with its purpose.
 - This product is not assembled and maintained according to the instruction booklet.
 - Technical repairs to this product are not carried out professionally.
 - Parts, which are mounted afterwards, do not comply with the technical specifications of the product concerned or are mounted incorrectly.
 - Defects are a result of climatic influences such as corrosion, UV rays or normal disintegration.
 - The product is rented out or was made available to various unspecified persons in any other manner.
4. EXIT Toys will repair or replace according to its choice all material and construction defects that have been ascertained by EXIT Toys during the warranty period.
5. The owner of the EXIT Toys Galaxy System is only entitled to the warranty by presenting the product for inspection at a EXIT Toys dealer. It should be handed to the EXIT Toys dealer, accompanied by the original purchase invoice.
6. In case of material and construction defects that have been ascertained by EXIT Toys, the product or its components will be repaired or replaced – according to its choice – free of charge during the warranty period mentioned in Article 1.
7. If the claim for warranty is not justifiable, all the costs are at the expense of the owner.
8. This warranty cannot be transferred to third parties.
9. The EXIT Toys Galaxy System is designed for personal use. It is not permitted to rent out or use the EXIT Toys Galaxy System in non-residential areas like schools, clubs or day-care centres. The guarantee and any other liabilities shall expire if the EXIT Toys Galaxy System is rented out or used in public areas.
10. Warranties shall cover damage or failure that occurs during the course of NORMAL or INTENDED USE of the product. Normal or intended use shall be described as activity that is necessary for the participation in the sport for which the equipment is designed. NOT COVERED is damage caused by deliberate hanging, multiple player hanging, vandalism, non-basketball activities or any other activity that could be regarded as abusive.

1.0 Einführung

Glückwunsch zur Wahl des EXIT Toys Galaxy Basketball Systems!

Amüsier dich, sei aktiv und spiele im Freien!

Für diesen Spaß entwickeln wir innovative und hochwertige Spielzeuge für coole Kids.

Wir tun alles in unserer Macht stehende, um sichere Produkte für Kinder zu entwickeln. Da unsere Produkte als Spielzeuge klassifiziert werden, erfüllen wir die strengsten Sicherheitsvorschriften. Bevor unsere Produkte auf dem Markt kommen, veranlassen wir die Durchführung von unabhängigen Prüfungen zur Zertifizierung. Außerdem kontrollieren wir selbst ständig unsere Produktionsabläufe und lassen diese als weitere Kontrolle regelmäßig durch unabhängige Stellen überprüfen. Nur Produkte, die den höchsten EXIT Toys Standards gerecht werden, werden mit dem EXIT Toys label gekennzeichnet.

Wir danken Ihnen für Ihr Vertrauen in dieses Produkt. Und wir sind sicher, dass Ihre Kinder genau viel Spaß haben werden wie wir ihn während der Entwicklung hatten. Da wir aufgeschlossen sind, schätzen wir wirklich all Ihre Kommentare und Ideen, die uns bei der Verbesserung unserer Produkte bzw. bei der Entwicklung neuer Spielzeuge helfen. Sie sind herzlich eingeladen, uns Ihre Ideen unter info@exittoys.com zu senden.

Besuchen Sie www.exittoys.com und entdecken Sie weitere tolle neue Produkte.

Das EXIT Toys Team



SICHERHEITSHINWEISE



EIN MISSACHTEN DIESER SICHERHEITSHINWEISE KANN ZU SCHWEREN VERLETZUNGEN UND/ODER SACHSCHÄDEN FÜHREN UND MACHT DIE GARANTIE UNWIRKSAM.

Der Eigentümer muss sicherstellen, dass alle Spieler diese Regeln für einen sicheren Betrieb des Systems kennen und befolgen.

Aus sicherheitsgründen darf dieses system nur unter sorgfältiger Beachtung der Anleitung zusammengebaut werden. eine ordnungsgemäße und vollständige Montage, Verwendung und Aufsicht ist für den richtigen Betrieb und zur Reduzierung des unfall- oder Verletzungsrisikos absolut erforderlich. Bei einer unsachgemäßen Installation und Wartung und bei einem falschen Betrieb dieses systems besteht ein hohes Risiko schwerer Verletzungen.

- Beim Gebrauch einer leiter während des Zusammenbaus extrem vorsichtig vorgehen.
- Es wird empfohlen, dass zwei (2) fähige Erwachsene diese Tätigkeit ausführen.
- Die einzelnen stangenteile richtig zusammenfügen (falls anwendbar). Andernfalls können sich die stangenteile beim spielbetrieb und/oder während des Transports des systems voneinander lösen.
- Klimatische Bedingungen, Korrosion oder Fehlgebrauch kann zu systemdefekten führen.
- Technische unterstützung kann vom Kundendienst angefordert werden.
- Die Mindestspielhöhe beträgt 1,98m (6,6 Fuß) bis zur unterkante der Korbwand.
- Dieses Gerät ist für die Freizeitnutzung daheim und NICHT für anspruchsvolle Wettbewerbspiele geeignet.
- Lesen Sie bitte den Warnhinweis, der auf dem Pfosten angebracht ist.
- Die Lebensdauer Ihres Basketballpfostens hängt von vielen Faktoren ab. Ausschlaggebend sind hier Klima, der Aufstellort und die Platzierung des Pfostens und die Belastung durch korrodierende Substanzen wie Pestizide, Herbizide oder Salze, denen er ausgesetzt ist.
- Die Höhenregulierung sollte unter Aufsicht von Erwachsenen stattfinden.



- Hängen Sie sich nicht an den Ring

Die meisten Verletzungen werden durch einen Fehlgebrauch bzw. ein Missachten der Anleitungen verursacht. Bei der Verwendung dieses Geräts vorsichtig vorgehen.

ERFORDERLICHES WERKZEUG



- Zwei (2) fähige Erwachsene



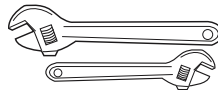
- Stufenleiter 2,4 m (8 Fuß)



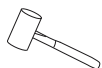
- Bandmaß



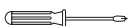
- Sägebock oder Auflagetisch



- große und kleine verstellbare Schraubenschlüssel



- Hammer



- Kreuzschlitzschraubendreher Nr.2 oder Nr. 3



- Sand



- Schutzbrille

Allgemeine gebrauchshinweise

- Gebrauchsanleitung bitte vor der Verwendung lesen und während der gesamten Lebensdauer des Produktes aufbewahren.
- Warnung! Das Produkt ist aufgrund der Kleinteile für Kinder unter 3 Jahren nicht geeignet. Erstickungsrisiko.

ACHTUNG

- Überprüfen Sie regelmäßig die wichtigen Teile dieses Produkts (Brett, Ring, Pfosten, Fundament, Befestigung, usw.), um sich vom tadellosen Zustand des Produkts zu überzeugen. Ohne regelmäßige Kontrollen können Schäden am Product unbemerkt bleiben und zu Risiken für den Nutzer führen.
- Wir empfehlen Ihnen, Ihr Brett mit einer Bodenbefestigung zu verwenden.
- Jede unsachgemäße Verwendung dieses Geräts ist nicht zulässig.
- Die Nichteinhaltung der unten aufgeführten Sicherheitshinweise kann zu schweren körperlichen Verletzung führen.
- Nur für den privaten Gebrauch bestimmt.
- Produkt ist ausschließlich für eine erste Einführung in das Basketballspiel gedacht.

BEI DER MONTAGE

- Die Montage muss unbedingt von 2 Erwachsenen durchgeführt werden.
- Beachten Sie die Montagehinweise (mitgelieferte Schemata und Beschreibungen)
- Stellen Sie das Produkt auf einem stabilen und ebenen Untergrund mit mindestens 2 Metern Abstand zu Wänden, Gegenständen, Garagentüren, Kabeln oder Stromleitungen auf....
- Bodenbefestigungen nicht im Lieferumfang.
- Überprüfen Sie bei einem Baufachmann vor Befestigung des Produktes, ob die Schrauben für die Befestigungsunterlage geeignet sind.
- Der Sockel muss komplett mit Sand gefüllt werden, damit das Gerät stabil steht.
- Lassen Sie das Produkt niemals mit leerem Sockel stehen, da es sonst umfallen und schwere Verletzungen verursachen könnte.
- Wenn Sie die Höhe einstellen oder das Gerät an einen anderen Ort bewegen, halten Sie die Hände und Finger von beweglichen Teilen fern.
- Passen Sie die Pfosten richtig an, um zu verhindern, dass Sie während des Spiels und/oder beim Transport lösen.

LAGERUNG

- Wenn das Produkt draußen gelagert wird, muss es fern von persönlichen Gegenständen, freihängenden Kabeln und/oder an einem windgeschützten Ort aufbewahrt werden, um ein Umkippen zu vermeiden.

Gebrauchshinweise während des spiels

- Lesen Sie die unten aufgeführten Hinweise, bevor Sie das Produkt verwenden. Die Nichteinhaltung der Sicherheitshinweise kann zu schweren körperlichen Verletzungen und/oder Materialschäden führen.
- Die Verwendung des Produkts von einem Kind muss unter ständiger Aufsicht eines Erwachsenen erfolgen.
- In- und Outdoornutzung (setzt eine ausreichende Deckenhöhe voraus, um bei einer maximalen Höhe von 3.05 Meter spielen zu können).
- Bei der Höheneinstellung oder beim Transport des Produkts achten sie darauf, mit den Händen und Fingern nicht in die Nähe beweglicher Teile zu gelangen.
- Es ist unbedingt erforderlich, den tadellosen Zustand des Produkts vor jeder Verwendung zu überprüfen. Spielen Sie niemals mit beschädigten Materialien.
- Überprüfen Sie das System (Befüllung, nicht festgezogene Schrauben, übermäßige Abnutzung und Korrosionsspuren) und die Befestigungselemente (Brett, Ring, Pfosten auf dem Fundament, Netz, Systemstabilität) vor jeder Verwendung. Reparieren Sie ggf. Vor der weiteren Verwendung die beschädigten Teile.

- HÄNGEN SIE SICH NICHT AN DEN RING, ans Netz oder auf ein anderes Teil des Systems, einschließlich des Bretts und der Träger. Nicht auf den Sockel, den Pfosten oder das Gestell steigen, springen, rutschen oder spielen.
- Nicht am Gestell rütteln.
- Strangulierungsgefahr beim Netz.
- Während des Spiels, vor allem während eines Schmetterballs, achten Sie auf das Brett, das Ring und das Netz, um nicht dagegen zu stoßen.
- Überlassen Sie den Transport oder das Einstellen des Geräts niemals einem Kind. Dies darf nur durch einen Erwachsenen erfolgen.
- Legen Sie vor dem Spielen sämtlichen Schmuck ab (Ringe, Uhren, Ketten, usw.). Diese Gegenstände können sich im Netz verfangen.
- Die Oberfläche des Sockels kann ohne Kies oder andere Beläge rutschig sein. Die Perforationen führen zu undichten Stellen und gefährden die Stabilität des Systems.
- Halten Sie organische Substanzen vom Sockel des Pfostens fern. Gras, Abfall usw. können zu Korrosion und/oder reiner Beschädigung des Systems führen.
- Überprüfen Sie den Zustand des Systems (Korrosionszeichen wie Rost, Lochfraß, Verflockungen) und lackieren Sie es erneut mit der Emaillefarbe für draußen. Wenn durch den Rost an einer Stelle des Pfostens Löcher entstanden sind, muss er sofort ersetzt werden.
- Verwenden Sie das System nicht an sehr windigen und/oder stürmischen Tagen: Das System könnte umstürzen.
- Wenn Sie das System an einen anderen Platz stellen wollen, seien Sie vorsichtig um zu verhindern, dass das System umkippt.

Sicherheitshinweise

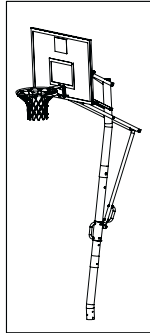
- DIE NICHTEINHALTUNG DER SICHERHEITSHINWEISE KANN ZU SCHWEREN KÖRPERLICHEN VERLETZUNGEN, MATERIALSCHÄDEN UND/ODER ZUM VERFALL DER GARANTIE FÜHREN.
- Der Eigentümer muss sich davon überzeugen, dass alle Spieler die Nutzungs- und Montagehinweise kennen und erhalten. Eine korrekte und vollständige Montage, Benutzung und Aufsicht sind unerlässlich für ein tadelloses Funktionieren und die Minimierung von Unfällen oder Verletzungen. Schwere Verletzungen sind die mögliche Folge, wenn das System nicht richtig installiert, gewartet und verwendet wurde.
- Wenn Sie bei der Montage eine Leiter verwenden (nicht empfohlen), seien Sie besonders vorsichtig.
- Überprüfen Sie regelmäßig den Sockel, um sich davon zu überzeugen, dass er nicht verrutschen kann.
- Die klimatischen Bedingungen, Korrosion oder eine unsachgemäße Verwendung können zu Schäden am System führen.
- Nach dem Zusammenbau MUSS das System jederzeit mit Sand aufgefüllt sein.
- Alle EXIT Galaxy-Basketballsysteme, einschließlich jener, die zu Ausstellungszwecken verwendet werden, müssen zusammengebaut und mit Sand gemäß den Anweisungen, um SCHWERE VERLETZUNGEN zu vermeiden.
- Verwenden Sie kein anderes Beschwerkungssystem als das empfohlene.
- Die meisten Verletzungen entstehen aus einer unsachgemäßen Verwendung und/oder der Nichteinhaltung der Anweisungen. Seien Sie bei der Verwendung des Systems stets vorsichtig.

WARTUNG UND GARANTIE

Um die Nutzungsdauer des Produkts zu gewährleisten, beachten Sie die folgenden Empfehlungen:

- Befolgen Sie die Nutzungs- und Montagehinweise.
- Überprüfen Sie das System vor jeder Verwendung (Beladung, lockere Schrauben, übermäßige Abnutzung und Korrosionszeichen) und tauschen Sie ggf. beschädigte Teile aus.
- Kontrollieren Sie regelmäßig die Schrauben und Kleinteile und ziehen Sie sie fest, um zu vermeiden, dass beim Spielen Verletzungen entstehen.
- Keine Reinigungsmittel für die Pflege des Systems verwenden. Mit klarem oder seifenhaltigem Wasser reinigen.

Teilleiste #1

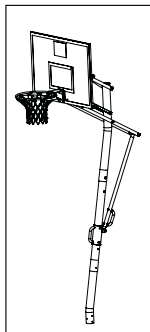


verwenden Sie die beiliegenden
Teilleiste Zeichnungen ab Seite 52

Teile Nr.	Beschreibung	#
1	Obere Stange	1
2	Mittlere Stange	1
3	Untere Stange	1
4	Einstell-Schieberr	1
5	Einstellknopf	1
6	Unterer Träger	2
7	Oberer Träger 2 Stück	2
8	Federarm 2 Stück	2
9	Obere Trägerverbindung	1
10	Korbbretthalter	1
11	Trägerhalter	4
12	Feder	2
13	Einstell-Träger	1
14	Hinterer Handgriff	1
15	Kunststoff-Unterlegscheibe	6
16	M12 Unterlegscheibe	12
18	Großer Kunststoff-Abstandhalter	4
19	Korbbrett	1
20	Rand	1
48	Dunk Rand	
21	Netz	1

Hierin aufgeführt sind die Spezifikation und Produkteigenschaften, wie sie zum Zeitpunkt des Drucks gültig waren. Produkt, Verfügbarkeit, Spezifikationen und Eigenschaften können sich jedoch ohne vorherige Ankündigung

Teilleiste #2

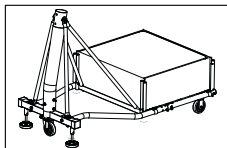


**verwenden Sie die beiliegenden
Teilleiste Zeichnungen ab Seite 52**

Teile Nr.	Beschreibung	#
A22	M12X225 Schraube	6
A17	M10X135 Schraube	3
C4	M12 Sicherungsmutter	6
C3	M10 Sicherungsmutter	5
A11	M10X60 Schraube	2
C2	M8 Sicherungsmutter	8
C1	M6 Sicherungsmutter	2
A4	M8X40 Schraube	4
C5	M10 Sicherungsmutter mit Kappe	7
A14	M10X88 Schraube	1
A2	M6X95 Schraube	2
D2	M8 Washer	4
A8	M10X100 Schraube	6
A5	M8X50 Schraube	4
D3	M10 Unterlegscheibe	6
G1	M8 Spring Unterlegscheibe	6
F2	M10 Arc Unterlegscheibe	6
B1	M8X55 Button Schraube	2
F1	M8 Arc Unterlegscheibe	2
	Hex Key	1

Hierin aufgeführt sind die Spezifikation und Produkteigenschaften, wie sie zum Zeitpunkt des Drucks gültig waren. Produkt, Verfügbarkeit, Spezifikationen und Eigenschaften können sich jedoch ohne vorherige Ankündigung ändern.

Teilleiste #3



verwenden Sie die beiliegenden
Teilleiste Zeichnungen ab Seite 52

Teile Nr.	Beschreibung	#
22	Vorderer montierten Rahmen	1
23	Vorderer Grundrahmen	1
24	Rückseitengrundrahmen	1
25	Stützrahmen mit Rädern	2
26	Stellfuß	2
27	Stützstange	4
28	Linke hintere Strebe	1
29	Rechte hintere Strebe	1
30	Linke Strebe	1
31	Rechte Strebe	1
32	Sandsackbehälter	1
33	Sandsack	3
34	Z-Bügel	2

Teile Nr.	Beschreibung	#
A13	M10X80 Schraube	2
A12	M10X65 Schraube	2
D3	M10 Unterlegscheibe	8
A29	M6X45 Schraube	2
B1	M8X55 Button Schraube	6
D2	M8 Unterlegscheibe	8
F1	M8 Bogenscheibe	6
C2	M8 Sicherungsmutter	8
C3	M10 Sicherungsmutter	5
A8	M10X1005 Schraube	3
F2	M10 Arc Unterlegscheibe	3
A27	M10x120 Schraube	1
A28	M6x30 Schraube	2
A30	M8x45 Schraube	6
C1	M6 Sicherungsmutter	4
G1	M8 Federscheibe	6
C5	M10 Sicherungsmutter mit Kappe	3

1

**verwenden Sie den beiliegenden Montage
Zeichnungen ab Seite 58**

1. Montieren Sie die M6X95 mm Schrauben (A2) und M6 Sicherungsmuttern (C1) in die mittlere Stange (2).
2. Montieren Sie den Einstellknopf (5).
3. Schieben Sie den Schiebergriff auf die mittlere Stange (2).
4. Montieren Sie noch eine M6X95 mm Schraube (A2) und M6 Sicherungsmutter (C1).

2

1. Montieren Sie die obere Stange (1) an die mittlere Stange (2) mit drei M10X100 mm Schrauben (A8), drei M10 Arc Unterlegscheibe (F2) und drei Sicherungsmutter mit Kappe (C5).
2. Montieren Sie die untere Stange (3). Benutzen Sie dazu drei M10X100mm Schrauben (A8), drei M10 Unterlegscheiben (F2) und drei Sicherungsmutter mit Kappe (C5) in die mittlere Stange (2).

Ziehen Sie die Schraube noch nicht an.

3

Montieren Sie den Trägerhalter (11) mit zwei M8X40 mm Schrauben (A4) und zwei M8 Sicherungsmuttern (C2) in das Zielbrett (19).

Wiederholen Sie diesen Schritt auf der anderen Seite des Gewichtssystems.

4

Befestigen Sie den Korbbretthalter (10) am Ring (20) mit vier M8X50 mm Schrauben (A5), vier M8 Federringen (G1), vier M8 Unterlegscheiben (D2) und vier M8 Sicherungsmuttern (C2), und befestigen Sie das Ganze am Korbbrett (19).

5

1. Montieren Sie den oberen Träger (7) am Trägerhalter (11) mit einer M10X60 mm Schraube (A11), zwei M10 Kunststoff-Unterlegscheiben (15), und einer M10 Sicherungsmutter (C3). Wiederholen Sie diesen Schritt auf der anderen Seite des Gewichtssystems.
2. B. Befestigen Sie eine obere Trägerverbindung (9) am oberen Träger (7) mit einer M12X225 mm Schraube (A22), zwei M12 Unterlegscheiben (16) und eine M12 Sicherungsmutter (C4).

Ziehen Sie die Schraube noch nicht an.

6

Befestigen Sie den Federarm (8) am Korbbretthalter (10) mit einer M10X135 mm Schraube (A17), zwei M10 Unterlegscheiben (D3) und einer M10 Sicherungsmutter (C3). **Ziehen Sie die Schraube noch nicht an.**

7

Befestigen Sie den unteren Träger (6) am Korbbretthalter (10) benutzen Sie dazu eine M12X225 mm Schraube (A22), zwei M12 Unterlegscheiben (D3), und eine M12 Sicherungsmutter (C4).

Ziehen Sie die Schraube noch nicht an.

8

Montieren Sie den oberen Träger (7) an die obere Stange (1) mit einer M12X225 mm Schraube (A22), zwei M12 Unterlegscheiben (16), zwei große Kunststoff-Abstandhalter (18) und einer M12 Sicherungsmutter (C4).

Ziehen Sie die Schraube noch nicht an.

9

Montieren Sie den unteren Träger (6) an die obere Stange (1) verwenden Sie eine M12X225 mm Schraube (A22), zwei M12 Unterlegscheiben (16), zwei große Kunststoff-Abstandhalter (18) und eine M12 Sicherungsmutter (C4).

Ziehen Sie die Schraube noch nicht an.

10

Montieren Sie den Federarm (8) an die obere Stange (1) verwenden Sie eine M10X135 mm Schraube (A17), zwei M10 Unterlegscheiben (D3), zwei M10 Kunststoff-Unterlegscheiben (15) und eine M10 Sicherungsmutter (C3).

Ziehen Sie die Schraube noch nicht an.

11

1. Montieren Sie den hinteren Griff (14). Befestigen Sie den hinteren Griff (14) am Einstell-Träger (13) verwenden Sie zwei M8X55 mm Kopfschrauben (B1), zwei M8 Federringe (G1), und zwei Bogenunterlegscheiben (F1).
2. Montieren Sie den Einstell-Träger (13) an den unteren Träger (6) verwenden Sie eine M12X225 mm Schraube (A22), zwei M12 Unterlegscheiben (16), und eine M12 Sicherungsmutter (C4). Ziehen Sie die **Schraube noch nicht an**.
3. Dann befestigen Sie den Einstell-Träger (13) am Einstellschieber (4) verwenden Sie eine M10X88 mm Schraube (A14) und eine M10 Sicherungsmutter mit Kappe (C5). **Ziehen Sie die Schraube noch nicht an.**

12

1. Montieren Sie die Feder (12). Befestigen Sie die geschlossenen Enden der beiden Federn (12) an den Federarm (8) verwenden Sie eine M10X135 mm Schraube (A17), zwei M10 Unterlegscheiben (D3), und eine M10 Sicherungsmutter (C3).
2. Dann befestigen Sie die Feder (12) am unteren Träger (6) benutzen Sie eine M12X225 mm Schraube (A22), zwei M12 Unterlegscheiben (16), und eine M12 Sicherungsmutter (C4).
3. Verwenden Sie einen Schraubenschlüssel, um die Feder (12) an die M12X225 mm Schraube (A22) anzuhängen.

Bitte beachten: Vergewissern Sie sich, dass alle in den obigen Schritten verwendeten Schrauben gut angezogen sind. **Überdrehen Sie die Sicherungsmuttern der drehbaren Teile nicht.**

13

Schieben Sie den vorderen Grundrahmen (23) in den hinteren Grundrahmen (24) benutzen Sie dazu drei M8x45mm Schrauben (A30), drei M8 Bogenunterlegscheiben (F1) und drei M8 Sicherungsmuttern (C2). Wiederholen Sie diesen Schritt an der anderen Seite des Gegengewichtskastens.

14

Bringen Sie die Transportrollen an (25) benutzen Sie dazu zwei M8x55mm Kopfschrauben (B1), zwei M8 Federringe (G1) und zwei M8 Sicherungsmuttern (C2). Wiederholen Sie diesen Schritt auf der anderen Seite des Gegengewichtskastens.

15

1. Montieren Sie den Stellfuß (26).
2. Bringen Sie die M10x65mm Schraube (A12), und die M10x80 Schraube an (A13), drei M10 Unterlegscheiben (D3) und zwei M10 Sicherungsmuttern (C3). Wiederholen Sie diesen Schritt auf der anderen Seite des Gegengewichtskastens.

Ziehen Sie alle Schrauben der obigen Schritte an.

16

1. Schieben Sie die Stützstange (27) in die Hülse und das untere Rohr, benutzen Sie dazu zwei M6x30mm Schrauben (A28), zwei M6x45mm Schrauben (A29) und vier M6 Sicherungsmuttern (C1).
2. Schieben Sie die Stützstange (27) in die Hülse auf dem Sandbehälter (32).
3. Ziehen Sie die vier Seile des Sandbehälters (32) durch das untere Rahmenrohr und ziehen Sie sie durch den Haken des Sandbehälters. (32). Ziehen Sie dann das Seil fest an.

17

1. Füllen Sie die Sandsäcke mit ca. 55 kg.
2. Befestigen Sie den Grundrahmen und den Hauptrahmen durch drei M10x100 mm Schrauben (A8), drei M10 Unterlegscheiben (F23) und drei Sicherungsmuttern mit Kappe (C5).
3. Drehen Sie den Hauptrahmen so, dass der Grundrahmen gerade auf dem Boden

18

Streben (28, 29, 30 und 31) am Grundrahmen.

19

Zunächst lösen Sie die montierte M10X100 mm Schraube, die M10X100 mm Schraube wird hier nicht benutzt.

1. Fügen Sie die hinteren Streben (28, 29) zum Vorderer Grundrahmen (23). Benutzen Sie zwei M8X55 mm Kopfschrauben (B1) und zwei M8 Unterlegscheiben (D2), zwei M8 Federscheiben (G1) und zwei M8 Sicherungsmuttern (C2).

Ziehen Sie die Sicherungsmuttern noch nicht an.

2. Entfernen Sie die in Schritt 16 montierten M10X80mm Schrauben (A13).
3. Dann fügen Sie vier Streben (28, 29, 30 und 31) zu den vier Grundrahmen (22) benutzen Sie zwei M10X80 mm Schrauben (A13), vier M10 Unterlegscheiben (D3) und zwei M10 Sicherungsmuttern (C3).

Ziehen Sie die Sicherungsmuttern noch nicht an.

4. Fügen Sie Streben (28, 29, 30 und 31) zur unteren Stange (3) und benutzen Sie dabei eine M10X120 mm Schraube (A27), zwei M10 Unterlegscheiben (D3) und eine M10 Sicherungsmutter mit Kappe (C5).

Zuletzt ziehen Sie alle Schrauben dieses Schrittes fest an.

20

1. Sorgen Sie dafür, dass alle Schrauben der Anlage fest angezogen sind.
2. Platzieren Sie die anderen Sandbehälter (33). Ziehen Sie den Reißverschluss gut zu.

21

1. Der hintere Handgriff, um den Rand Höhe einzustellen.
2. Der vordere Handgriff, um das System zu bewegen.
3. Falls der Boden uneben ist, können Sie den Stellfuß anpassen.

Bitte beachten: Prüfen Sie, ob die Anlage fest ist. Ist sie lose, ziehen Sie bitte alle Muttern gut an.

22

Instructions:

A. Um die Randhöhe anzupassen, verfahren Sie wie unten angegeben:

1. Drehen Sie am Knopf, um den Einstellknopf zu lösen. (5). Siehe Abbildung (1);
2. Dann umfassen Sie den Schiebergriff und den hinteren Griff (14) um den Rahmen nach unten oder oben zu ziehen bis zum gewünschten Loch, dort lassen Sie den Knopf wieder einrasten. Siehe Abbildung(3);
3. Drehen Sie den Einstellknopf fest an. (5). Siehe Abbildung (2).

B. Falls der Boden uneben ist, können Sie den Stellfuß einstellen. Siehe Abbildung(4).

C. Um das Basketball-Sportgerät zu bewegen, gehen Sie wie folgt vor:

1. Lösen Sie die beiden M12 Muttern, drehen Sie die beiden Stellfüße zurück, die die Transportrollen senken. Siehe Abbildung (5).
2. Schieben Sie das Gerät an die richtige Stelle. Schrauben Sie die beiden Füße höher als den vorderen Grundrahmen und passen Sie ihre Länge an, damit das System gerade auf dem Boden steht. Siehe Abbildung (6).
3. Ziehen Sie M12 Mutter sorgfältig an.

Bitte beachten: Zur Durchführung dieses Schrittes werden zwei Personen benötigt.

23

1. Befestigen Sie den Rahmen an der Oberfläche

7.0 Garantie

1. Der Besitzer des EXIT Toys Galaxy Systems erhält nach dem Datum der Kaufquittung:
 - 2 Jahre Garantie auf den Stahlrahmen.
 - 1 Jahr Garantie auf dem Board und Korb.
 - 6 Monate Garantie auf Sandsackbehälter und Sandsäcken.Verschleißteile (wie das Netz): **keine Garantie.**
2. Die Garantie gilt ausschließlich für Material- und Konstruktionsfehler in Bezug auf dieses Produkt oder Einzelteile davon.
3. Die Garantie verfällt, wenn:
 - Dieses Produkt falsch und/oder nicht sorgfältig benutzt und zu Zwecken benutzt wird, die nicht dem Benutzungszweck entsprechen.
 - Dieses Produkt nicht entsprechend den Montage- und Wartungsanweisungen montiert und gewartet wurde.
 - Technische Reparaturen an diesem Produkt nicht auf fachkundige Weise durchgeführt wurden.
 - Später montierte Einzelteile nicht übereinstimmen mit den technischen Spezifikationen des betreffenden Produkts oder falsch montiert sind.
 - Mängel infolge klimatischer Einflüsse wie Rost, UV-Strahlung oder normaler Verwitterung.
 - Das Produkt vermietet wird oder auf andere Weise mehreren unbefugten Personen zur Verfügung steht.
4. Während der Garantieperiode werden alle von EXIT Toys festgestellten Material- oder Konstruktionsfehler von EXIT Toys nach eigenem Ermessen repariert oder ersetzt.
5. Der Besitzer des EXIT Toys Galaxy Systems kann nur Anspruch auf die Garantie erheben, indem er das Produkt dem EXIT Toys Händler zur Begutachtung zur Verfügung stellt. Hierzu muss dem EXIT Toys Händler der original Kaufquittung übergeben werden.
6. Stellt EXIT Toys Material- oder Konstruktionsfehler fest, wird das Produkt oder Einzelteile davon während der in Artikel 1 genannten Garantieperiode von EXIT Toys nach eigenem Ermessen kostenlos repariert, bzw. ersetzt.
7. Ist der Anspruch auf die Garantie nicht gerechtfertigt, gehen alle entstandenen Kosten zu Lasten des Besitzers des EXIT Toys Galaxy Systems.
8. Die Garantie ist nicht an Dritte übertragbar.
9. Das EXIT Galaxy System ist für den privaten Gebrauch vorgesehen. Sie dürfen nicht vermietet oder auf (semi-)öffentlichen Plätzen wie Schulen, Vereine und Kindertagesstätten verwendet werden. Bei Vermietung oder Verwendung auf öffentlichen Plätzen verfällt jede Garantie sowie weitere Verantwortlichkeit.
10. Garantie erstreckt Beschädigungen oder Fehlfunktionen, die im Laufe des NORMAL oder VERWENDUNGSZWECK der Ware erfolgt. Normal oder beabsichtigten Verwendung gelten als Aktivität, die für die Teilnahme an den Sport, für die das Gerät ausgelegt ist notwendig, beschrieben werden. Nicht gedeckt sind Schaden verursacht durch vorsätzliches hängen, mehrere Spieler hängen, Vandalismus, nicht-Basketball-Aktivitäten oder anderen Tätigkeiten, die als missbräuchlich angesehen werden können.

1.0 Introductie

Gefeliciteerd met de aanschaf van uw Galaxy Basketball systeem van EXIT Toys!

Pret maken, actief leven en buiten spelen.....

Dat is onze motivatie om innovatief en kwalitatief speelgoed te ontwikkelen voor coole kinderen.

We doen er alles aan om producten te ontwikkelen die veilig zijn voor kinderen. Aangezien onze producten worden geclassificeerd als speelgoed, voldoen we aan de strengste normen op het vlak van consumentveiligheid. Voordat we een product op de markt brengen, laten we onafhankelijke tests uitvoeren voor de vereiste certificaten. We voeren ook voortdurend controles uit tijdens de productie en we laten regelmatig nieuwe onafhankelijke tests uitvoeren als extra controle. Enkel de producten die voldoen aan de strengste normen van EXIT Toys krijgen het EXIT Toys merk.

Wij stellen het zeer op prijs dat u bij ons klant bent en danken u voor het vertrouwen in dit product. We zijn er zeker van dat uw kinderen evenveel van dit product zullen genieten als wij tijdens de ontwikkeling ervan. Omdat we open staan voor uw mening, zijn uw opmerkingen en ideeën steeds welkom zodat we onze producten nog kunnen verbeteren en nieuwe kunnen ontwikkelen. Neem daarom gerust contact op via info@exittoys.com.

Bezoek de wereld van EXIT Toys op www.exittoys.com en ontdek ook onze andere stoere en nieuwe buitenspeel producten.

Het team van EXIT Toys



VEILIGHEIDSINSTRUCTIE



NEGEREN VAN DEZE INSTRUCTIES KAN LEIDEN TOT ERNSTIG LETSEL EN/OF SCHADE AAN BEZITTINGEN EN ZAL DE GARANTIE ONGELDIG MAKEN.

De eigenaar moet ervoor zorgen dat alle spelers deze regels voor een veilige werking van het systeem kennen en volgen.

Om de veiligheid te garanderen, mag u niet proberen om dit systeem te monteren zonder de instructies aandachtig door te nemen en te volgen. Controleer de gehele doosinhoud, en al het verpakkingsmateriaal voor onderdelen en/of extra instructie materiaal. Voordat u begint met de montage, lees eerst de instructies en identificeer de onderdelen met behulp van de hardware-id en onderdelenlijst in dit document. Juiste en volledige montage, juist gebruik en toezicht zijn essentieel voor een goede werking én om het risico van een ongeval of letsel te verminderen. Er bestaat een grote kans op ernstig letsel als dit systeem niet naar behoren is geïnstalleerd, onderhouden en gebruikt.

- Wees uiterst voorzichtig bij het gebruik van een ladder tijdens de montage.
- Het is aanbevolen dat deze installatie wordt gedaan door twee (2) capabele volwassenen.
- Bevestig de framebuizen goed (indien van toepassing). Anders kunnen de framebuizen tijdens het spel en/of tijdens transport losraken van elkaar.
- Klimatologische omstandigheden, roest of misbruik kunnen tot een defect systeem leiden.
- Technische ondersteuning kan worden verkregen via de klantenservice.
- De minimale hoogte is 1.98m spel (6,6 voet) tot aan de onderste rand van het bord.
- Deze apparatuur is alleen bedoeld voor thuis recreatie en NIET voor intensieve competitieve spelen.
- Lees en begrijp het waarschuwingsetiket welke aan de paal bevestigd is
- De levensduur van uw basketbalpaal hangt af van vele factoren. Het klimaat, de positie van de paal, de locatie van de paal, blootstelling aan bijtende stoffen zoals pesticiden, herbiciden of zouten zijn allemaal belangrijk.
- Het toezicht van een volwassene tijdens het aanpassen van de hoogte is aanbevolen.

- NIET AAN DE RING HANGEN



De meeste blessures worden veroorzaakt door verkeerd gebruik of het niet respecteren van de instructies. Wees voorzichtig bij het gebruik van dit apparaat.

BENODIGD GEREEDSCHAP



- Twee(2) capabele volwassenen



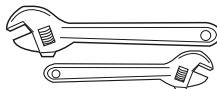
- Ladder 2.4mtr (8ft)



- Rolmaat



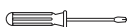
- Schraag of werktafel



- Een grote en kleine baco



- Hamer



- Kruiskopschroeven-draaijer, Nr.2 of Nr. 3



- Zand



- Veiligheidsbril

Waarschuwingen voor algemeen gebruik

- Lees voor gebruik de voorschriften en bewaar deze gedurende de complete levensduur van het product.
- Let op ! Niet geschikt voor kinderen jonger dan 3 jaar, bevat kleine onderdeeltjes. Verstikkingsgevaar.

Pas op

- Controleer regelmatig de belangrijke onderdelen van het product (bord, ring, paal, sokkel, bevestiging etc.) om u ervan te overtuigen dat het product in goede staat verkeert. Zonder deze regelmatige controles zou het product kunnen omvallen, of andere gevaren kunnen opleveren voor de gebruiker.
- We raden u aan om het bord bij gebruik op de grond te bevestigen.
- Dit product mag niet op een onjuiste manier worden gebruikt.
- Het niet naleven van de veiligheidsadviezen kan leiden tot ernstige fysieke schade.
- Uitsluitend voor thuisgebruik.
- Product uitsluitend geschikt voor eerste kennismaking met het Basketball spel.

Tijdens de montage

- De montage mag uitsluitend worden uitgevoerd door 2 volwassenen.
- Houd u aan de montagevoorschriften (schema's en tekst bijgevoegd)
- Plaats het product op een stevige en vlakke ondergrond op minimaal 2 meter afstand van elk ander bouwwerk of obstakel, zoals een huis, een garagedeur, elektriciteitsdraden...
- Bevestigingsmiddelen voor op de grond niet meegeleverd.
- Controleer vooraf bij een bouwkundig professional of de schroeven die u wilt gebruiken voor de bevestiging van het frame geschikt zijn voor dit doel.
- De sokkel dient constant gevuld te zijn met zand zodat het geheel stabiel blijft staan.
- Zet de structuur nooit rechtop zonder dat de sokkel is gevuld. Het product zou kunnen omvallen en zou ernstige verwondingen kunnen veroorzaken.
- Wanneer u de hoogte van het frame aanpast, of het geheel verplaatst, houd dan uw vingers uit de buurt van bewegende onderdelen.
- Schuif de verschillende delen van de paal goed in elkaar, om te voorkomen dat deze tijdens het spel of vervoer uit elkaar schuiven.

Opbergen

- Indien het product buiten wordt opgeborgen, dan dient het uit de buurt van persoonlijke goederen en hangende kabels te worden gehouden. Zet het op een plaats waar het beschermt is tegen de wind, om te voorkomen dat het omvalt.

Waarschuwing bij gebruik tijdens spel:

- Lees de waarschuwingen hieronder voordat u hier product gaat gebruiken. Het niet naleven van de veiligheidsvoorschriften kan leiden tot ernstige fysieke of materiële schade.
- Bij gebruik door kinderen dient een volwassene voortdurend toezicht te houden.
- Zowel binnen als buiten te gebruiken (zorg ervoor dat het plafond hoog genoeg is, zodat met een hoogte van max. 3m05 gespeeld kan worden.)
- Houd tijdens het instellen van de hoogte of het verplaatsen van het product uw handen en vingers uit de buurt van bewegende onderdelen.
- U dient voor gebruik te allen tijde eerst te controleren of het systeem in goede staat verkeert. Speel nooit met beschadigd materiaal.
- Controleer voor elk gebruik het systeem (sokkel voldoende gevuld, schroeven voldoende aangedraaid, tekenen van buitensporige slijtage of corrosie), en de samen te voegen onderdelen (bord, ring, paal op sokkel, net, algehele stabiliteit). Voer voor gebruik eventuele reparaties uit.
- NIET AAN DE RING, het net of een ander onderdeel van het frame gaan hangen (zoals het bord, of de steunen).

- Niet op de sokkel, de paal of de rest van het frame klimmen of springen, er niet vanaf glijden.
- Niet schudden aan het frame.
- Pas op met het net: verwurgingsgevaar
- Wanneer u tijdens het spel smasht, houd uw gezicht dan uit de buurt van het bord, de ring het het het. Wanneer het gezicht of de tanden tegen her bord, de ring of het net stoten, dan kan dit tot ernstige verwondingen leiden.
- Laat het verplaatsen of instellen van het frame nooit over aan een kind: dit dient uitsluitend door een volwassene te worden uitgevoerd.
- Verwijder voordat u gaat spelen alle sieraden (ringen, horloges, kettingen et.). Deze voorwerpen kunnen in het net vast blijven zitten.
- Het oppervlak onder de sokkel dient glad te zijn, zonder grint of andere scherpe stukjes.
- Houd organische stoffen uit de buurt van de sokkel voor de paal. Gras, vuil etc. kan corrosie en/of beschadigingen aan het frame veroorzaken.
- Controleer de staat van het systeem (corrosie of roestplekken, doorboringen, afbladering) en schilder deze plekken over met lakverf voor buiten. Indien de roest op een bepaalde plaats door het staal heen is gegaan, dan dient de paal direct te worden vervangen.
- Gebruik het frame nooit bij harde wind en/of stormachtig weer; het frame zou kunnen omwaaien.
- Wees voorzichtig bij het verplaatsen van het frame, en voorkom dat het mechanisme uit balans raakt.

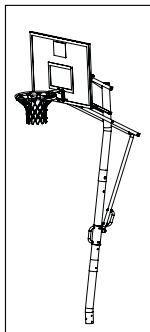
Veiligheidsvoorschriften

- HET NIET NALEVEN VAN DE VEILIGHEIDSVOORSCHRIFTEN KAN LEIDEN TOT ERNSTIGE FYSIEKE VERWONDINGEN, MATERIËLE SCHADE EN/OF VERVALLEN VAN DE GARANTIE.
- De eigenaar dient ervoor te zorgen dat alle gebruikers de veiligheidsvoorschriften voor gebruik en montage kennen en opvolgen.
- Voor het goed functioneren van het product en het voorkomen van ongelukken en verwondingen is het noodzakelijk te zorgen voor een goede montage, een correct gebruik en voldoende toezicht. Indien het systeem niet correct is geïnstalleerd, onderhouden of gebruikt, dan is er een reële kans op het ontstaan van ernstige verwondingen.
- Indien u een trap gebruikt bij de montage (een oplossing die voor de montage van dit frame wordt afgeraden), ga dan voorzichtig te werk.
- Door klimatologische omstandigheden, corrosie of een onjuist gebruik kan het frame beschadigt raken.
- Wanneer het geheel is samengevoegd dan DIENT de sokkel DIRECT met zand te worden gevuld.
- Voor alle EXIT Galaxy basketbalsystemen inclusief de Showroommodellen geldt dat ze gemonteerd dienen te worden en vervolgens volgens de instructies gevuld dienen te worden met zand. Voorkom ERNSTIGE VERWONDINGEN en houd u aan de voorschriften. De meeste ernstige verwondingen komen voort uit onjuist gebruik en/of het niet naleven van de voorschriften. Wees voorzichtig bij het gebruik van dit frame.

Onderhoud en garantie

- Om zo lang mogelijk gebruik te kunnen maken van het product, raden we u het volgende aan:
- Houd u aan de gebruiks- en montagevoorschriften
- Controleer voor elk gebruik of het frame in goede staat verkeert (vulling sokkel, schroeven aangedraaid, buitensporig slijtage of corrosie) en voer zo nodig reparaties uit.
- Controleer regelmatig schroeven en kleine onderdelen op speling om verwondingen te voorkomen.
- Gebruik nooit reinigingsproducten voor de onderhoud van het frame. Schoonmaken met water of een sopje.

Onderdelenlijst #1

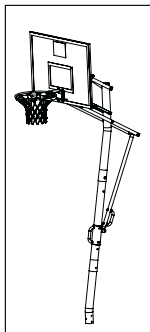


**Gebruik de bijbehorende
onderdelenlijst afbeeldingen
vanaf pagina 52**

Ond.Nr.	Omschrijving	#
1	Bovenpaal 1 stuk	1
2	Middenpaal	1
3	Onderpaal	1
4	Schuifversteller	1
5	Verstelknop	1
6	Onderarm	2
7	Bovenarm	2
8	Veerarm	2
9	Bovenarmverbinding	1
10	Achterbordbeugel	1
11	Armbeugel	4
12	Veer	2
13	Verstelarm	1
14	Achter-handgreep	1
15	M10 Plastic Ring	6
16	M12 Ring	12
18	Grote Plastic Opvulling	4
19	Achterbord	1
20	Ring	1
48	Dunk-Ring	
21	Net	1

Bijgevoegd zijn de actuele specificaties en producteigenschappen op het moment van printen. De apparatuur, beschikbaarheid, specificaties en eigenschappen kunnen echter zonder aankondiging veranderen.

Onderdelenlijst #2

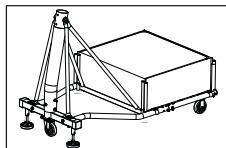


**Gebruik de bijbehorende
onderdelenlijst afbeeldingen
vanaf pagina 52**

Ond.Nr.	Omschrijving	#
A22	M12X225 Bout	6
A17	M10X135 Bout	3
C4	M12 Borgmoer	6
C3	M10 Borgmoer	5
A11	M10X60 Bout	2
C2	M8 Borgmoer	8
C1	M6 Borgmoer	2
A4	M8X40 Bout	4
C5	M10 Borgmoer met kap	7
A14	M10X88 Bout	1
A2	M6X95 Bout	2
D2	M8 Ring	4
A8	M10X100 Bout	6
A5	M8X50 Bout	4
D3	M10 Ring	6
G1	M8 Veerring	6
F2	M10 Gebogen ring	6
B1	M8X55 Laagbolkop binnenzeskant bout	2
F1	M8 Gebogen ring	2
	Zeskantsleutel	1

Bijgevoegd zijn de actuele specificaties en producteigenschappen op het moment van printen. De apparatuur, beschikbaarheid, specificaties en eigenschappen kunnen echter zonder aankondiging veranderen.

Onderdelenlijst #3



Gebruik de bijbehorende onderdelenlijst afbeeldingen vanaf pagina 52

Ond.Nr.	Omschrijving	#
22	Voorframe	1
23	Voorzijde onderstel	1
24	Achterzijde onderstel	1
25	Wielframeonderdeel	2
26	Verstelvoet	2
27	Steunpaal	4
28	Linkerachterstang	1
29	Rechterachterstang	1
30	Linkerstang	1
31	Rechterstang	1
32	Zandzak opberghoes	1
33	Zandzak	3
34	Z-Beugel	2

Part.Nr.	Description	#
A13	M10X80 Bout	2
A12	M10X65 Bout	2
D3	M10 Ring	8
A29	M6X45 Bout	2
B1	M8X55 Laagbolkop bout	6
D2	M8 Ring	8
F1	M8 Gebogen Ring	6
C2	M8 Borgmoer	8
C3	M10 Borgmoer	5
A8	M10X100 Bout	3
F2	M10 Gebogen Ring	3
A27	M10x120 Bolt	1
A28	M6x30 Bolt	2
A30	M8x45 Bolt	6
C1	M6 Locknut	4
G1	M8 Spring Washer	6
C5	M10 Borgmoer met kap	3

1

**Gebruik de bijbehorende
montagetekeningen
vanaf pagina 58**

1. Plaats de M6X95mm bouten (A2) en M6 borgmoeren (C1) in de middenpaal (2).
2. Monteer de verstelknop (5).
3. Schuif de schuifhandgreep op de middenpaal (2).
4. Monteer nog een M6X95mm bout (A2) en M6 borgmoer (C1).

2

1. Bevestig de bovenpaal (1) aan de middenpaal (2) met drie M10X100mm bouten (A8), drie M10 gebogen ringen (F2) en drie M10 borgmoeren met kap (C5).
2. Monteer onderpaal (3) met drie M10X100mm bout (A8) en drie M10 gebogen ringen (F2) en drie M10 borgmoeren met kap (C5) in de middenpaal (2).

Draai de bout nog niet vast.

3

Bevestig de armbeugel (11) met twee M8X40mm bouten (A4) en twee M8 borgmoeren (C2) op het Achterbord (19).
Herhaal deze stap aan de andere kant van het gewichtssysteem.

4

Bevestig de achterplaatbeugel (10) aan de ring (20) met vier M8X50mm bouten (A5), vier M8 veerringen (G1), vier M8 ringen (D2) en vier M8 borgmoeren (C2), en bevestig dit geheel aan het achterbord (19).

5

1. Bevestig de bovenarm (7) aan de armbeugel (11) met een M10X60mm bout (A11), twee M10 plastic ringen (15), en M10 borgmoer (C3). Herhaal deze stap aan de andere kant van het gewichtssysteem.
2. Bevestig de bovenarmverbinding (9) aan bovenarm (7) met een M12X225mm bout (A22), twee M12 ringen (16) en een M12 borgmoer (C4).

Draai de bout nog niet vast.

6

Bevestig veerarm (8) aan achterplaatbeugel (10) met een M10X135mm bout (A17), twee M10 ringen (D3) en een M10 borgmoer (C3).

Draai de bout nog niet vast.

7

Bevestig de onderarm (6) aan achterplaatbeugel (10) met een M12X225mm bout (A22), twee M12 ringen (D3), en een M12 borgmoer (C4).

Draai de bout nog niet vast.

8

Installeer de bovenarm (7) aan de bovenpaal (1) met een M12X225mm bout (A22), twee M12 ringen (16), twee grote plastic ruimtevullers (18) en een M12 borgmoer (C4).

Draai de bout nog niet vast.

9

Installeer de onderarm (6) aan de bovenpaal (1) met een M12X225mm bout (A22), twee M12 ringen (16), twee grote plastic ruimtevullers (18) en een M12 borgmoer (C4).

Draai de bout nog niet vast.

10

Installeer de veerarm (8) aan bovenpaal (1) met een M10X135mm bout (A17), twee M10 ringen (D3), twee M10 plastic ringen (15) en een M10 borgmoer (C3).

Draai de bout nog niet vast.

11

1. Monteer de achterhandgreep (14). Bevestig de achterhandgreep (14) aan de verstelarm (13) met twee M8X55mm knopbouten (B1), twee M8 veerringen (G1), en twee boogringen (F1).
2. Bevestig de verstelarm (13) aan de onderarm (6) met een M12X225mm bout (A22), twee M12 ringen (16), en een M12 borgmoer (C4). **Draai de bout nog niet vast.**
3. Bevestig daarna de verstelarm (13) aan de schuifversteller (4) met een M10X88mm bout (A14) en een M10 borgmoer met kap (C5). **Draai de bout nog niet vast.**

12

1. Monteer de veer (12). Bevestig de gesloten einden van de twee veren (12) aan de veerarmen (8) met een M10X135mm bout (A17), twee M10 ringen (D3), en een M10 borgmoer (C3).
2. Bevestig daarna de veer (12) aan de onderarm (6) met een M12X225mm bout (A22), twee M12 ringen (16), en een M12 borgmoer (C4).
3. Gebruik een steeksleutel om de veer (12) op te hangen aan de M12X225mm bout (A22).

Opmerking: Zorg dat alle bouten in de bovenstaande stappen gelijk zijn vastgedraaid.

36 Draai de borgmoeren op de draaiende delen niet vast.

13

Bevestig de voorkant van het basisframe (23) aan de achterkant van het basisframe (24) met drie M8x45mm bouten (A30), drie M8 gebogen sluitringen (F1) en drie M8 borgmoeren (C2). Herhaal deze stap aan de andere kant van het contragewichtssysteem.

14

Bevestig de wielassemblage (25) met twee M8x55mm knopbouten (B1), twee M8 veerringen (G1) en twee M8 borgmoeren (C2). Herhaal deze stap aan de andere kant van het contragewichtssysteem.

15

1. Monteer de verstelvoet (26).
2. Bevestig de M10x65mm bout (A12), de M10x80 bout (A13), drie M10 ringen (D3) en twee M10 borgmoeren (C3). Herhaal deze stap aan de andere kant van het contragewichtssysteem.

Draai alle bouten van de bovenstaande stappen aan.

16

1. Steek de steunpaal (27) in de mof en de onderbuis met twee M6x30mm bouten (A28), twee M6x45mm bouten (A29) en vier M6 borgmoeren (C1).
2. Steek de steunpaal (27) in de mof op de zandzakbak (32).
3. Rijg de vier touwen van de zandzakbak (32) door de framebasis-buis en bind ze vast aan de haak van de zandzakbak (32). Trek vervolgens het touw strak.

17

1. Vul zandzakken, ongeveer 55 KG.
2. Bevestig de basis en het hoofdframe met drie M10X100mm bouten (A8), drie M10 gebogen ringen (F2) en drie borgmoeren met kap (C5) .
3. Draai het hoofdframeonderdeel zo dat de basis horizontaal op de vloer staat, en plaats vervolgens een zandzak.

18

Identificeer stangen (28, 29, 30 en 31) voor het basisframe.

19

Maak eerst de gemonteerde M10X100mm bout los. Deze M10X100mm bout wordt niet in dit systeem gebruikt. **Draai de borgmoeren nog niet vast.**

1. Bevestig achterstangen (28, 29) aan Voorzijde onderstel (23) met twee M8X55mm knopbouten (B1), twee M8 ringen (D2), twee M8 Veerringen en twee M8 borgmoeren (C2). **Draai de borgmoeren nog niet vast.**
2. Verwijder de M10x80mm bout (A13) die in stap 16 is gemonteerd.
3. Bevestig daarna de stangen (28, 29, 30 en 31) aan de vier basisonderdelen (22) met twee M10X80mm bouten (A13), vier M10 ringen (D3) en twee M10 borgmoeren (D3).
4. Bevestig stangen (28, 29, 30 en 31) aan de onderpaal (3) met een M10X120mm bout (A27), twee M10 ringen (D3) en een M10 borgmoer met kap (C5).
Draai tot slot alle bouten uit deze stap vast.

20

1. Zorg dat alle bouten in het systeem zijn aangedraaid.
2. Plaats de overige zandzakken (33). Trek de rits goed aan.

21

1. Gebruik de achterhandgreep voor het verstellen van de ringhoogte.
2. Gebruik de voorhandgreep voor het verplaatsen van het systeem.
3. Bij een oneffen ondergrond, kunt u de verstelvoet verstellen.

Opmerking: Controleer of het hele systeem goed vastzit. Als het systeem los zit, corrigeer dit dan en draai alle moeren vast.

22**Instructies:**

A. Volg om de randhoogte aan te passen, de onderstaande stappen:

1. 1. Draai de knop om de verstelknop los te draaien (5). Zie afbeelding (1);
2. 2. Pak vervolgens de schuifhandgreep en achterhandgreep (14) om het frame omhoog of omlaag te trekken naar een gat van uw keuze en klik de knop terug. Zie afbeelding(3);
3. 3. Draai de verstelknop (5) vast. Zie afbeelding (2).

B. In geval van een oneffen ondergrond, kunt u de verstelvoet verstellen. Zie afbeelding(4).

C. Om het basketbalsysteem te verplaatsen, volg onderstaande stappen om aan te passen:

1. Maak de twee M12 moeren los, draai de twee verstelvoeten terug, waardoor het wielrameonderdeel naar beneden komt. Zie afbeelding (5).
2. Verplaats naar de juiste plek. Draai de twee voeten hoger dan het voorste basisonderdeel en stel hun lengte bij om te zorgen dat het systeem vlak op de grond staat. Zie Afbeelding (6).
3. Draai de M12 moeren goed aan.

Opmerking: Voor deze stap zijn twee mensen nodig.

23

1. Bevestig het frame aan de ondergrond

7.0 Garantie

1. De eigenaar van het EXIT Toys Galaxy systeem heeft na de datum van de aankoopnota:
 - 2 jaar garantie op het stalen frame.
 - 1 jaar garantie op het bord en de ring.
 - 6 maanden garantie op de zandzakhoes en zandzakken.Onderdelen die aan slijtage onderhevig zijn (zoals het net): **geen garantie.**
2. De garantie geldt uitsluitend voor materiaal- en constructiefouten ten aanzien van dit product of onderdelen daarvan.
3. De garantie vervalt als:
 - Dit product onjuist en/of onzorgvuldig gebruikt is en gebruikt wordt dat niet overeenkomstig bestemming is.
 - Dit product niet conform het instructieboekje geassembleerd en onderhouden is.
 - Technische reparaties aan dit product niet op vakkundige wijze verricht zijn.
 - Naderhand gemonteerde onderdelen niet overeenkomen met de technische specificaties van het betreffende product, of onjuist gemonteerd zijn.
 - Gebreken als gevolg van klimatologische invloeden, zoals roest, UV-straling of normale verwerking.
 - Het product wordt gebruikt voor verhuur of op andere wijze aan meerdere ongespecificeerde personen ter beschikking staat.
4. Gedurende de garantieperiode zullen alle door EXIT Toys vastgestelde materiaal- of constructiefouten ter keuze van EXIT Toys worden gerepareerd, danwel worden vervangen.
5. De eigenaar van het EXIT Galaxy systeem kan slechts aanspraak maken op de garantie door het product ter inspectie aan te bieden bij een EXIT Toys dealer. Hierbij dient de originele aankoopnota aan de EXIT Toys dealer te worden overhandigd.
6. In geval van door EXIT Toys vastgestelde materiaal- of constructiefouten, zal het product of zullen onderdelen daarvan gedurende de in artikel 1 genoemde garantieperiode ter keuze van EXIT Toys gratis worden gerepareerd, danwel gratis worden vervangen.
7. Indien de garantieaanvraag niet terecht is, zijn alle gemaakte kosten voor rekening van de eigenaar.
8. De garantie is niet overdraagbaar aan derden.
9. Het is niet toegestaan het EXIT Galaxy systeem te verhuren of te plaatsen op openbare plaatsen zoals scholen en kinderdagverblijven. Bij verhuur of gebruik op openbare plaatsen vervalt iedere garantie of vervallen andere aansprakelijkheden.
10. Garantie dekt schade of storing die optreedt tijdens normaal of beoogd gebruik van het product. Normaal of beoogd gebruik wordt beschreven als activiteit die noodzakelijk is voor de deelname aan de sport waarvoor het apparaat is ontwikkeld is. Uitsluitend van garantie is schade veroorzaakt door opzettelijk hangen aan de basket, hangen door meerdere spelers, vandalisme, niet- basketbal activiteiten of andere activiteiten die als misbruik of verkeerd gebruik kunnen worden beschouwd.

1.0 Introduction

Vous venez de faire l'acquisition du EXIT GALAXY; nous vous en félicitons!

S'amuser, être actif et jouer dehors.....

Nous faisons tout notre possible pour développer des produits sûr pour les enfants. Étant donné que nos produits sont classés comme étant des jouets, nous nous conformons aux réglementations de sécurité des consommateurs les plus rigoureuses. Avant de commercialiser nos produits, nous faisons réaliser des tsts indépendants en vue d'obtenir la certification. Nous testons également en continu nos cycles de production et faisons régulièrement réaliser des tests indépendants à titre de contrôle supplémentaire. Seuls les produits qui se montrent à la hauteur de la norme EXIT Toys la plus rigoureuse sont porteurs de l'étiquette EXIT Toys.

Nous souhaitons vous remercier pour l'achat de ce produit et pour votre fidélité. Nous sommes sûrs que vos enfants s'amuseront autant que nous nous sommes amusés durant la phase de développement. Nous sommes très ouverts et preneurs de tous les commentaires et idées qui pourraient nous aider à améliorer nos produits et à en développer de nouveaux. Vous êtes invités à nous envoyer vos idées à info@exittoys.com.

Découvrez le monde de EXIT Toys, ses produits de divertissement branchés et ses nouveautés sur www.exittoys.com.

L'équipe EXIT Toys.



CONSIGNES DE SÉCURITÉ!



SUIVEZ CES CONSIGNES DE SÉCURITÉ SOUS PEINE DE PROVOQUER DES BLESSURES GRAVES, DES DÉGÂTS MATÉRIELS ET L'ANNULATION DE LA GARANTIE.

Le propriétaire doit s'assurer que tous les joueurs connaissent et suivent ces règles d'utilisation sûre du système.

Par mesure de sécurité, n'essayez pas de monter ce système sans suivre scrupuleusement les instructions. Un montage, une utilisation et une supervision corrects et complets sont indispensables à un bon fonctionnement et à la réduction des risques d'accident ou de blessure. Des blessures graves sont très probables si le système n'est pas installé, entretenu et utilisé correctement.

- Si vous utilisez une échelle en cours de montage, soyez extrêmement prudent.
- Deux (2) personnes adultes et aptes sont recommandées pour cette opération.
- Cet équipement est destiné à un usage récréatif à domicile et NON PAS pour un jeu extrêmement compétitif.
- Lisez et comprenez l'étiquette d'avertissement fixée au poteau.
- La durée de vie de votre poteau de basket-ball dépend de nombreuses conditions. Le climat, la mise en place du poteau, le lieu du poteau, l'exposition à des substances corrosives telles que les pesticides, les herbicides, ou les sels sont toutes importantes.
- Embotez correctement les sections de poteau (le cas échéant). Elles risquent sinon de se déboîter en cours de jeu et/ou de transport du système.
- Les conditions climatiques, la corrosion ou une mauvaise utilisation risquent de provoquer la panne du système.
- Pour toute assistance technique, contactez le service clientèle.
- La hauteur minimale d'utilisation est de 1,98 (6' 6") m jusqu'à la socle du panneau.
- La surveillance d'une personne adulte est recommandée pour le réglage en hauteur.
- Ne pas se suspendre sur le cercle _____



La plupart des blessures sont causées par une mauvaise utilisation et/ou le nonrespect des instructions. Soyez prudent lorsque vous utilisez ce système.

OUTILS NECESSAIRES



- Deux (2) personnes adultes et aptes



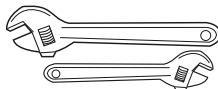
- Escabeau de 8Ft (2,4 m)



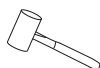
- Mètre ruban



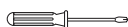
- Chevalet de sciage ou table de support



- Clés à molette grandes et petites



- Marteau



- Tournevis type Philips n° 2 ou n° 3



- Sable



- Lunettes de protection

Avertissements d'usage general

- Notice à lire avant utilisation et à conserver pendant toute la durée de vie du produit.
- Attention! Ne convient pas aux enfants de moins de 3 ans en raison de petites pièces.
- Risque d'étouffement.

Attention

- Vérifier régulièrement les parties importantes du produit (panneau, cercle, poteau, base, fixation, etc.) afin de s'assurer du bon état du produit. Sans ces contrôles réguliers, le produit risquerait de se renverser ou de présenter d'autres risques pour l'utilisateur.
- Nous vous conseillons d'utiliser votre panneau avec une fixation au sol.
- Cet équipement ne doit pas être soumis à une mauvaise utilisation.
- Le non-respect des consignes de sécurité indiquées ci-dessous pourrait entraîner de sérieux dommages physiques.
- Exclusivement à usage familial.
- Produit réservé à l'usage exclusif d'une initiation au Basket-Ball.

Lors du Montage

- Montage à effectuer par deux adultes exclusivement.
- Respecter les instructions de montage (schémas et texte fournis)
- Produit à poser sur une surface stable et plane à 2 mètres minimum de toute structure ou obstacle tel que la maison, une porte de garage, des câbles ou fils électriques...
- Fixations au sol non fournies.
- Vérifier, au préalable de la fixation du produit, l'adéquation de la visserie au support de fixation auprès d'un professionnel du bâtiment.
- Ne jamais laisser le système à la verticale sans avoir lesté le socle car il risquerait de se renverser et de causer des blessures.
- Lorsque vous réglez la hauteur ou que vous déplacez le système, gardez les mains et les doigts à l'écart des pièces en mouvement.
- Emboîtez correctement les sections de poteau sous risque qu'elles se déboîtent en cours de jeu et/ou de transport du système.

Stockage

- Si le produit est stocké en extérieur, il doit être placé loin de biens personnels, de câbles suspendus et/ou dans un endroit à l'abri du vent afin d'éviter les risques de basculement.

Avertissement d'usage dans le jeu

- Lire les avertissements indiqués ci-dessous avant d'utiliser ce produit, le non-respect des consignes de sécurité pourrait entraîner de sérieux dommages physiques et/ou des dégâts matériels.
- L'utilisation du produit par un enfant doit se faire sous la surveillance constante d'un adulte.
- Utilisation en extérieur ou en intérieur (prévoir une hauteur de plafond suffisante pour pouvoir jouer à une hauteur maxi de 3m05)
- Lors du réglage de la hauteur ou du déplacement de système, gardez les mains et les doigts à l'écart des pièces en mouvement.
- Il est impératif de vérifier le bon état du système avant chaque utilisation, ne jouez jamais sur du matériel défectueux.
- Vérifier le système (lest, visserie mal serrée, usure excessive et signes de corrosion) et les fixations des éléments à emboîter (panneau, cercle, poteau sur embase, filet, stabilité du système complet, avant chaque utilisation. Et réparer si nécessaire avant utilisation.
- Ne pas se suspendre sur le cercle, au filet ou sur une autre partie du système, y compris le panneau, les supports ou le filet.

- Ne pas monter, sauter, glisser, jouer sur le socle, le poteau ou l'armature.
- Ne pas secouer l'armature.
- Risque de strangulation avec le filet.
- Durant le jeu, en particulier lorsque vous faites un smash, gardez le visage à l'écart du panneau, du cerceau et du filet. Risque de blessures graves si les dents ou le visage viennent heurter le panneau, le cercle ou le filet.
- Ne pas laisser déplacer ou régler le système par un enfant seul, il doit être effectué par un adulte exclusivement.
- Avant le jeu, retirez vos bijoux (bagues, montres, colliers, etc.). Ces objets peuvent se prendre dans le filet.
- La surface située sous le socle doit être lisse, sans gravier ou autres objets coupants.
- Maintenez les substances organiques à l'écart du socle du poteau. L'herbe, les ordures, etc. risquent de causer la corrosion et/ou la détérioration du système.
- Vérifier l'état du système (signes de corrosion comme rouille, piqûres, écaillage) et repeignez avec de la peinture émail pour extérieur. Si de la rouille a piqué l'acier en tout point, remplacez immédiatement le poteau.
- N'utiliser pas le système les jours de vent fort et/ou de tempête : le système, soyez prudent pour empêcher le mécanisme de se déséquilibrer.

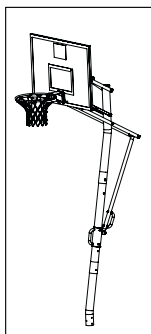
Consignes de securite

- LE NON RESPECT DES CONSIGNES DE SÉCURITÉ POURRAIT ENTRAÎNER DE SÉRIEUX DOMMAGES PHYSIQUES, DES DÉGÂTS MATÉRIELS ET/OU L'ANNULATION DE LA GARANTIE.
- Le propriétaire doit s'assurer que tous les joueurs connaissent et suivent les consignes d'utilisation et de montage du système. Un montage, une utilisation et une supervision corrects et complets sont indispensables à un bon fonctionnement et à la réduction des risques d'accident ou de blessures. Des blessures graves sont très probables si le système n'est pas installé, entretenu et utilisé correctement.
- Si vous utilisez une échelle en cours de montage (solution non préconisée pour le montage de ce système), veiller à être extrêmement prudent.
- Vérifier régulièrement le socle pur vous assurer qu'il ne fuit pas. Des petites fuites risquent d'entraîner le basculement intempestif du système.
- Les conditions climatiques, la corrosion ou une mauvaise utilisation risquent d'endommager le système.
- Une fois assemblé, l'ensemble DOIT être rempli de sable à TOUT MOMENT.
- Tous les systèmes de basketball EXIT Galaxy, y compris ceux utilisés en Exposition doivent être assemblés et lestés de sable, selon les instructions. Suivez ces instructions sous peine d'encourir des BLESSURES GRAVES.
- Ne pas composer soi-même et utiliser un système de lestage autre que celui préconisé. La plupart des blessures sont causées par une mauvaise utilisation et/ou le non-respect des instructions. Soyez prudent lorsque vous utilisez ce système.

Entretien et garantie

- Afin d'assurer la longévité de votre produit, nous vous conseillons de:
- Respecter les procédures d'utilisation et de montage
- Vérifier le système avant chaque utilisation (lest, visserie mal serrée, usure excessive et signes de corrosion) et si nécessaire procédez à la réparation.
- Inspecter et resserrer régulièrement la visserie et les pièces de petite taille pour éviter les jeux et les risques de blessures.
- Ne pas utiliser de produits détergents pour l'entretien du système. Laver à l'eau claire ou savonneuse.

LISTE DES PIÈCES #1

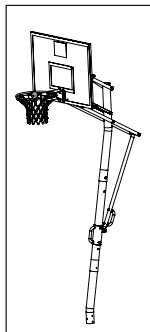


**utiliser la liste des pièces
accompagnant dessins
à partir de la page 52**

Numéro de pièce	Description	#
1	Barre supérieure	1
2	Barre centrale	1
3	Barre inférieure	1
4	Régleur	1
5	Bouton de réglage	1
6	Bras inférieur	2
7	Bras supérieur	2
8	Bras suspendu	2
9	Connexion de bras supérieur	1
10	Support de plaque arrière	1
11	Support de bras	4
12	Ressort	2
13	Ajusteur	1
14	Poignée arrière	1
15	M10 Rondelles en plastique	6
16	M12 Rondelles	12
18	Grandes rondelles en plastique	4
19	Tableau arrière	1
20	Bord	1
48	Bord flexible	
21	Filet	1

Vous trouverez ci-joint les spécifications actuelles et les caractéristiques des produits disponibles au moment de l'impression. Cependant, des modifications dans l'équipement, la disponibilité, les spécifications et les caractéris-

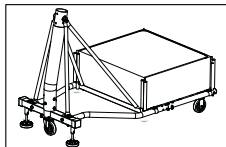
LISTE DES PIÈCES #2



**utiliser la liste des pièces
accompagnant dessins
à partir de la page 52**

Numéro de pièce	Description	#
A22	M12X225 Boulons	6
A17	M10X135 Boulons	3
C4	M12 Écrous	6
C3	M10 Écrous	5
A11	M10X60 Boulons	2
C2	M8 Écrous	8
C1	M6 Écrous	2
A4	M8X40 Boulons	4
C5	M10 Écrous avec bouchon	7
A14	M10X88 Boulon	1
A2	M6X95 Boulons	2
D2	M8 Rondelles	4
A8	M10X100 Boulons	6
A5	M8X50 Boulons	4
D3	M10 Rondelles	6
G1	M8 Rondelles à ressort	6
F2	M10 Rondelles en arc	6
B1	M8X55 Bombée Hexagone	2
F1	M8 Rondelles en arc	2
	Clé Hexagonale	1

Vous trouverez ci-joint les spécifications actuelles et les caractéristiques des produits disponibles au moment de l'impression. Cependant, des modifications dans l'équipement, la disponibilité, les spécifications et les caractéristiques peuvent survenir, sans préavis.

LISTE DES PIÈCES #3


**utiliser la liste des pièces
accompagnant dessins
à partir de la page 52**

Numéro de pièce	Description	#
22	Pièce de base avant	1
23	Cadre de base avant	1
24	Cadre de base arrière	1
25	Pièces du cadre de roue	2
26	Pieds de réglage	2
27	Barres de support	4
28	Barre arrière gauche	1
29	Barre arrière droite	1
30	Barre gauche	1
31	Barre droite	1
32	Coffre pour sacs de sable	1
33	Sacs de sable	3
34	Z-Support	2

Numéro de pièce	Description	#
A13	M10X80 Boulons	2
A12	M10X65 Boulons	2
D3	M10 Rondelle	8
A29	M6X45 Boulons	2
B1	M8X55 Button Boulons	6
D2	M8 Rondelle	8
F1	M8 Rondelles en arc	6
C2	M8 Écrous	8
C3	M10 Écrous	5
A8	M10X100 Boulons	3
F2	M10 Rondelles en arc	3
A27	M10X120 Boulons	1
A28	M6x30 Boulons	2
A30	M8x45 Boulons	6
C1	M6 Écrous	4
G1	M8 Rondelle ressort	6
C5	M10 Écrous avec bouchon	3

1**utiliser les dessins d'assemblage
d'accompagnement à partir de la page 58**

1. Introduisez les boulons M6X95mm (A2) avec les écrous M6 (C1) dans la barre centrale (2).
2. Montez le bouton de réglage (5).
3. Glissez le régleur sur la barre centrale (2).
4. Montez encore un boulon M6X95mm (A2) et un écrou M6 (C1).

2

1. Fixez la barre supérieure (1) à la barre centrale (2) à l'aide de trois boulons M10X100mm (A8), trois Rondelles en arc M10 (F2) et trois M10 Écrous avec bouchon (C5).
2. Montez la barre inférieure (3) à l'aide de trois boulons M10X100mm (A8), trois Rondelles en arc M10 (F2) et trois M10 écrous avec bouchon (C5) dans la barre centrale (2).

Ne serrez pas les boulons.**3**

Fixez le support (11) avec deux boulons M8X40mm (A4) et deux écrous M8 (C2) sur le tableau noir (19).
Répétez ces gestes au côté opposé du système de poids.

4

Fixez le support de la plaque arrière (10) sur l'anneau (20) avec quatre boulons M8X50mm (A5), quatre rondelles à ressort M8 (G1), quatre rondelles M8 (D2) et quatre écrous M8 (C2), fixez ensuite cette unité à la plaque arrière (19).

5

1. Fixez le bras supérieur (7) au support (11) avec le boulon M10X60mm (A11), deux rondelles en plastique M10 (15) et un écrou M10 (C3). Répétez ces gestes sur le côté opposé au système de poids.
2. Fixez la connexion du bras supérieur (9) au bras supérieur (7) avec un boulon M12X225mm (A22), deux rondelles M12 (16) et un écrou M12 (C4).

Ne serrez pas les boulons.**6**

Fixez le bras suspendu (8) au support de plaque arrière (10) avec un boulon M10X135mm (A17), deux rondelles M10 (D3) et un écrou M10 (C3).

Ne serrez pas les boulons.

7

Fixez le bras inférieur (6) au support de plaque arrière (10) avec un boulon M12X225mm (A22), deux rondelles M12 (D3) et un écrou M12 (C4).

Ne serrez pas les boulons.

8

Installez les bras supérieurs (7) à la barre supérieure (1) avec un boulon M12X225mm (A22), deux rondelles M12 (16), deux grandes cales en plastique (18) et un écrou M12 (C4).

Ne serrez pas les boulons.

9

Installez le bras inférieur (6) à la barre supérieure (1) avec un boulon M12X225mm (A22), deux rondelles M12 (16), deux grandes cales en plastique (18) et un écrou M12 (C4).

Ne serrez pas les boulons.

10

Installez le bras suspendu (8) à la barre supérieure (1) avec un boulon M10X135mm (A17), deux rondelles M10 (D3), deux rondelles en plastique (15) et un écrou M10 (C3).

Ne serrez pas les boulons.

11

1. Montez la poignée arrière (14). Fixez la poignée arrière (14) à l'ajusteur (13) avec deux boulons à boule M8X55mm (B1), deux rondelles à ressort M8 (G1) et deux rondelles en arc (F1).
2. Fixez l'ajusteur (13) au bras inférieur (6) avec le boulon M12X225mm (A22), deux rondelles M12 (16) et un écrou (C4). **Ne serrez pas les boulons.**
3. Ensuite, fixez l'ajusteur (13) au régléur (4) avec un boulon M10X88mm (A14) et un écrou M10 avec bouchon (C5). **Ne serrez pas les boulons.**

12

1. Montez le ressort (12). Fixez les deux ressorts (12) proche de l'extrémité du bras suspendu (8) avec un boulon M10X135mm (A17), deux rondelles M10 (D3) et un écrou M10 (C3).
2. Ensuite, fixez le ressort (12) au bras inférieur (6) avec un boulon M12X225mm (A22), deux rondelles M12 (16) et un écrou M12 (C4).
3. Utilisez une clé plate afin de fixer le ressort (12) au boulon M12X225mm (A22).
Remarque: Assurez-vous que tous les boulons mentionnés ci-dessus sont serrés avec la même force.

48 Ne serrez pas trop les écrous sur les parties pivotantes.

13

Attachez le bâti avant (23) dans le bâti arrière(24) en utilisant trois boulons M8x45mm (A30), trois rondelles cambrées M8 (F1) et trois contre-écrous M8 (C2). Répétez cette étape de l'autre côté du système de contrepoids.

14

Attachez l'ensemble de chariot de roue (25) en utilisant deux boulons à tête creuse de M8x55mm (B1), deux rondelles élastiques M8 (G1) et deux contre-écrous M8 (C2). Répétez cette étape de l'autre côté du système de contrepoids.

15

1. Assemblez le pied de réglage (26).
2. Attachez le boulon M10x65mm (A12), et le boulon M10x80 (A13), trois joints M10 (D3) et deux contre-écrous M10 (C3). Répétez cette étape de l'autre côté du système de contrepoids.

Serrez tous les boulons des étapes ci-dessus.

16

1. Insérez le mât de soutien (27) dans le manchon et le tube du fond en utilisant deux boulons M6x30mm (A28), deux boulons M6x45mm (A29) et quatre contre-écrous M6 (C1).
2. Insérez le mât de de soutien (27) dans le manchon sur la boîte du sac de sable (32).
3. Filetez les quatre cordes de la boîte du sac de sable (32) par le tube de base du cadre et attachez-les sur le crochet de la boîte du sac de sable (32). Tirez alors fortement sur la corde.

17

1. Remplissez-les de sacs de sable pesant environ 55 kg.
2. Fixez la base et le cadre principal avec trois boulons M10x100mm (A8), trois rondelles en arc M10 (F2) et trois écrous avec bouchon (C5).
3. Tournez la pièce du cadre principal de sorte que la base soit placée horizontalement sur le sol. Ensuite, placez un sac de sable.

18

Identifiez les barres (28, 29, 30 et 31) pour le cadre de base.

19

Desserrez d'abord le boulon M10X100mm. Le boulon M10X100mm ne utilisé pas dans ce système.

1. Fixez les barres arrières (28, 29) au le cadre de base avant (23) avec deux boulons à boule M8X55mm (B1), deux rondelles M8 (D2), deux rondelles ressorts M8 (G1) et deux écrous M8 (C2). **Ne serrez pas les écrous.**
2. Retirez les boulons M10X80mm (A13), assemblés à l'étape 16.
3. Ensuite, fixez quatre barres (28, 29, 30, 31) aux quatre pièces de base (22) avec deux boulons M10X80mm (A13), quatre rondelles M10 (D3) et deux écrous M10 (C3). **Ne serrez pas les écrous.**
4. Fixez les barres (28, 29, 30, et 31) à la barre inférieure (3) avec un boulon M10X120mm (A27), deux rondelles M10 (D3) et un écrou avec bouchon M10 (C5).
Serrez tous les boulons mentionnés dans cette étape.

20

1. Assurez-vous que tous les boulons du système sont bien serrés.
2. Placez les autres sacs de sable (33). Fermez bien la fermeture éclair.

21

1. La poignée arrière pour le réglage du hauteur de la bord.
2. La poignée devant pour déplacer le système.
3. En cas d'une surface inégale, vous pouvez régler le pied de réglage.

Remarque : Assurez-vous que le système est bien fixé. Si le système est détaché, serrez tous les écrous à nouveau.

22

Instructions:

A. Si vous souhaitez adapter la hauteur du panier, suivez les instructions ci-dessous :

1. Tournez le bouton afin de desserrer le bouton de réglage (5). Voir image (1) ;
2. Ensuite, pour monter ou descendre le cadre, servez-vous de la poignée coulissante et de la poignée arrière (14) et faites glisser jusqu'au trou de votre choix et remettez le bouton en place. Voir image (3) ;
3. Serrez le bouton de réglage (5). Voir image (2).

En cas d'une surface inégale, vous pouvez régler le pied de réglage.
Voir image (4).

C. Afin de déplacer le système de basket, suivez les étapes ci-dessous pour l'adapter :

1. Desserrez les deux écrous M12, tournez en arrière les deux pieds de réglage, descendant ainsi la pièce de cadre de roue. Voir image (5).
2. Déplacez le système vers l'endroit prévu. Tournez les deux pieds dans une position plus élevée que la pièce de base devant et ajustez leurs longueurs afin de stabiliser le système. Voir image (6).
3. Serrez l'écrou M12 correctement.

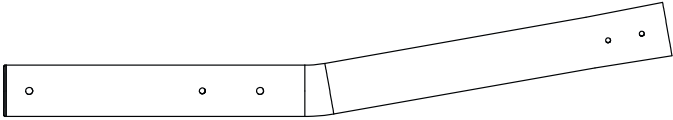
Remarque : Cette étape nécessite deux personnes.

23

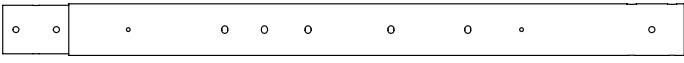
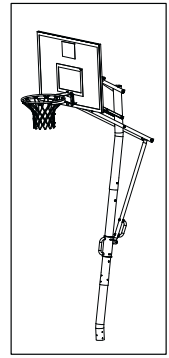
1. Fixez le cadre à la surface

7.0 Garantie

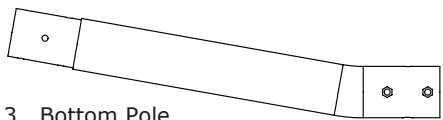
1. Le propriétaire du système EXIT Galaxy bénéficie d'une garantie après la date d'achat:
 - Garantie de 2 ans sur l'armature en acier.
 - 1 an de garantie sur le Tableau arrière et la bordure.
 - Garantie 6 mois sur Coffre pour sacs de sable et les sacs de sable.Les pièces d'usure (comme le filet): **aucune garantie.**
2. La garantie s'applique uniquement vis-à-vis des vices de construction et des vices matériels de ce produit ou des pièces de ce produit.
3. La garantie s'annule lorsque:
 - Ce produit est utilisé incorrectement et/ou avec négligence et non conformément à ce pour quoi il a été destiné.
 - Ce produit n'a pas été assemblé et entretenu conformément au carnet d'instructions.
 - Les réparations techniques sur ce produit n'ont pas été effectuées de manière compétente.
 - Les pièces montées plus tard ne correspondent pas aux spécifications techniques du produit concerné, ou sont montées de manière inexacte.
 - Les défauts liés aux influences climatologiques, comme la rouille, le rayonnement UV ou l'altération normale.
 - Le produit est utilisé pour la location ou est mis, d'une autre manière, à la disposition de plusieurs personnes non spécifiées.
4. Pendant la période de garantie, tous les vices de construction ou les vices matériels constatés par EXIT Toys seront réparés ou remplacés, selon le choix de EXIT Toys.
5. Le propriétaire du système EXIT Galaxy peut seulement prétendre à la garantie en proposant le produit à l'inspection auprès d'un distributeur EXIT Toys. La facture d'achat originale doit être remis au distributeur EXIT Toys.
6. En cas de vice de construction ou de vice matériel de EXIT Toys, le produit ou les pièces du produit sera/seront réparé(es) ou remplacé(es) gratuitement, selon le choix de EXIT Toys, pendant la période de garantie précitée à l'article 1.
7. Si la demande de garantie n'est pas justifiée, tous les frais encourus sont à la charge du propriétaire.
8. La garantie n'est pas transmissible aux tiers.
9. Le système EXIT Galaxy est conçues pour un usage privé. Il est interdit de louer le système EXIT Galaxy ou de les placer dans des lieux publics comme des écoles ou des crèches. En cas de location ou d'utilisation dans des lieux publics, toute garantie ou autre responsabilité tombe.
10. La garantie couvre les dommages ou une rupture qui se produit lors de l'utilisation normale ou destination du produit. Utilisation normale ou prévu est décrit comme une activité qui est nécessaire pour la participation du sport pour lequel l'appareil a été développé. Exclus de la garantie est dommage causé par délibérée accrocher le panier accrocher par plusieurs joueurs, le vandalisme, les activités non-basket-ball ou d'autres activités qui pourraient être considérés comme un abus.



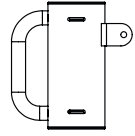
1. TOP Pole
1pc



2. Middle Pole
1pc



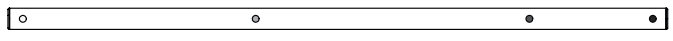
3. Bottom Pole
1pc



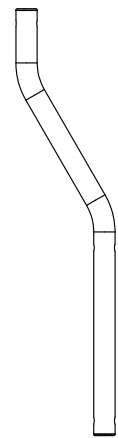
4. Adjustment Slider
1pc



5. Adjustment Knob
1pc



6. Bottom arm
2pcs



7. Upper arm
2pcs



8. Spring arm
2pcs



9. Upper arm connector
1pc



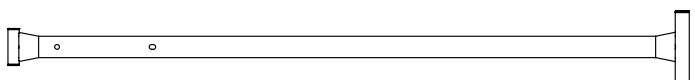
10. Backboard Bracket
1pc



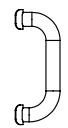
11. Arm Bracket
4pcs



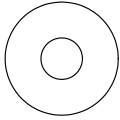
12. Spring
2pcs



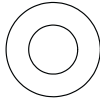
13. Adjustment arm
1pc



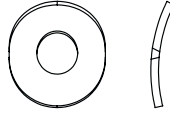
14. Rear handle
1pc



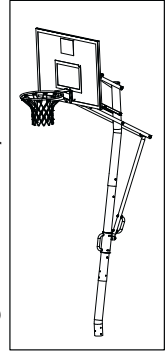
15 M10 Plastic Washer
6 pcs



16 M12 Washer
12 pcs



F2 M10 Arc Washer
6 pcs



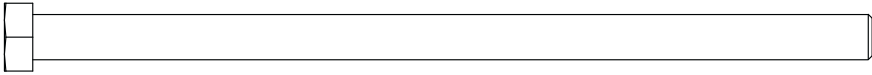
C3 M10 Locknut
5 pcs



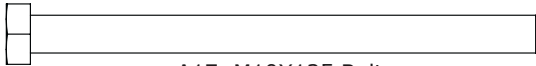
C4 M12 Locknut
6 pcs



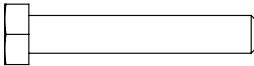
C5 M10 Locknut with cap
7 pcs



A22 M12X225 Bolt
6 pcs



A17 M10X135 Bolt
3 pcs



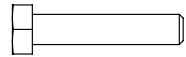
A11 M10X60 Bolt
2 pcs



C2 M8 Locknut
8 pcs



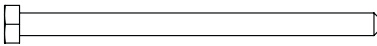
C1 M6 Locknut
2 pcs



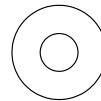
A4 M8X40 Bolt
4 pcs



A14 M10X88 Bolt
1 pc



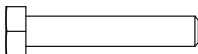
A2 M6X95 Bolt
2 pcs



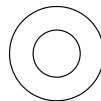
D2 M8 Washer
4 pcs



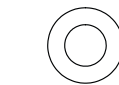
A8 M10X100 Bolt
6 pcs



A5 M8X50 Bolt
4 pcs



18 Big Plastic Spacer
4 pcs



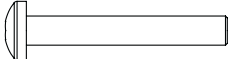
D3 M10 Washer
6 pcs



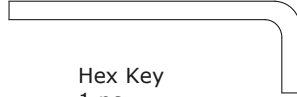
G1 M8 Spring Washer
6 pcs



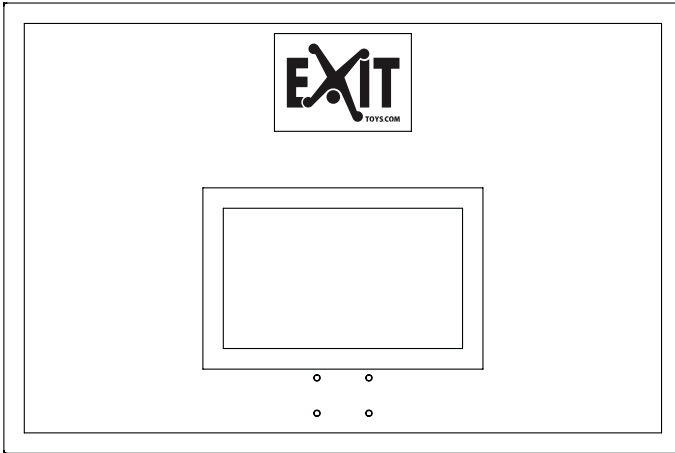
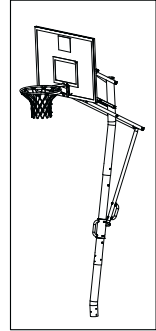
F1 M8 Arc Washer
2 pcs



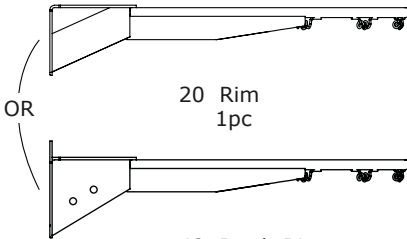
B1 M8X55 Button Bolt
2 pcs



Hex Key
1 pc



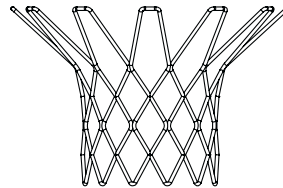
19 Blackboard
1pc



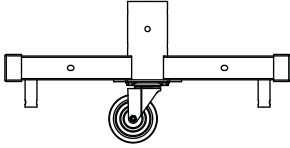
OR

20 Rim
1pc

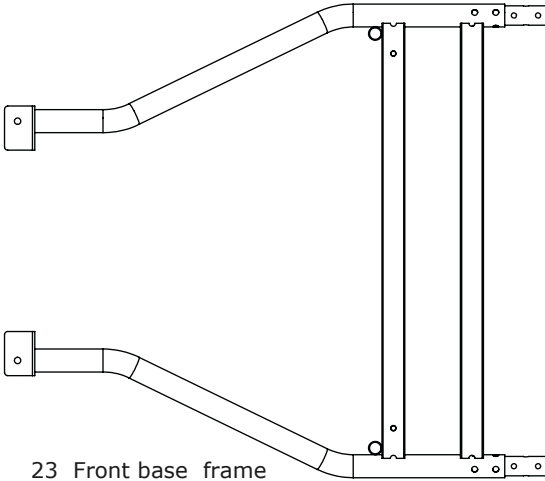
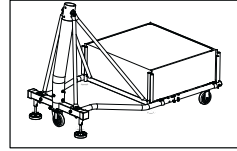
48 Dunk-Rim
1pc



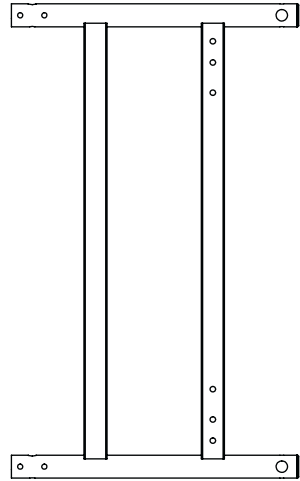
21 Net
1pc



22 Front base assembly
1 pc



23 Front base frame
2pcs



24 Back base frame
2pcs



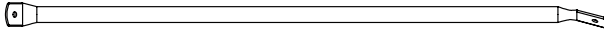
25 Wheel Carriage Assembly
2pcs



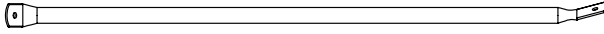
26 Adjustment foot
2pcs



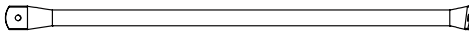
27 Support Pole
4 pcs



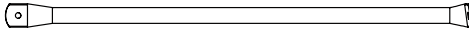
28 Left rear Strut 1pc



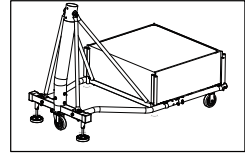
29 Right rear Strut 1pc



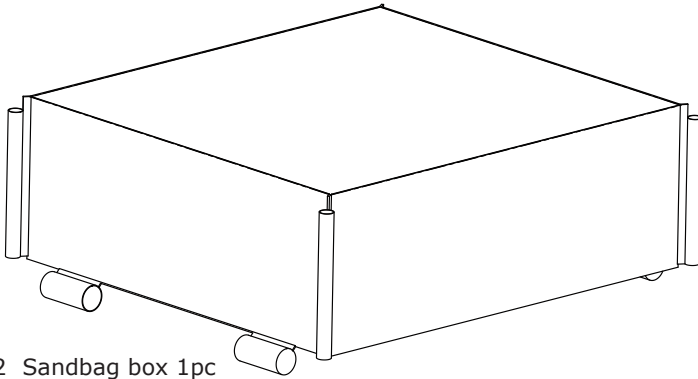
30 Left Strut 1pc



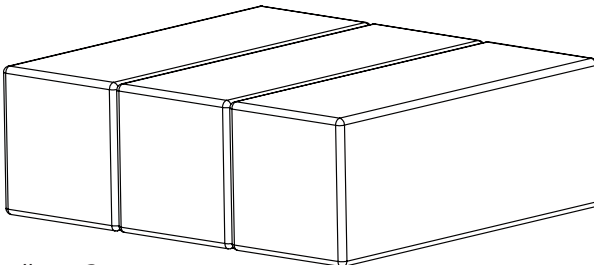
31 Right Strut 1pc



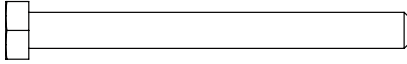
34 Z Plate



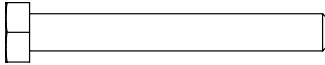
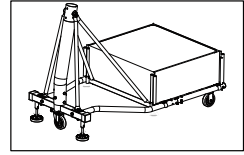
32 Sandbag box 1pc



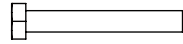
33 Sandbag 3pcs



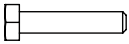
A8 M10X100 Bolt
3 pcs



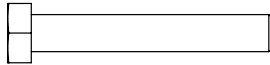
A13 M10X80 Bolt
2 pcs



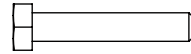
A29 M6X45 Bolt
2 pcs



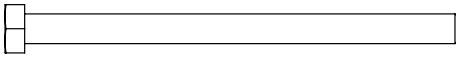
A28 M6X30 Bolt
2 pcs



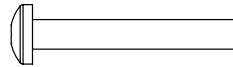
A12 M10X65 Bolt
2 pcs



A30 M8X45 Bolt
6 pcs



A27 M10X120 Bolt
1 pc



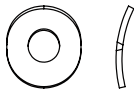
B1 M8X55 Button Bolt
6 pcs



G1 M8 Spring Washer
6 pcs



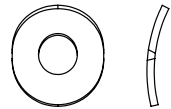
D2 M8 Washer
8 pcs



F1 M8 Arc Washer
6 pcs



D3 M10 Washer
8 pcs



F2 M10 Arc Washer
3 pcs



C1 M6 Locknut
4 pcs



C2 M8 Locknut
8 pcs

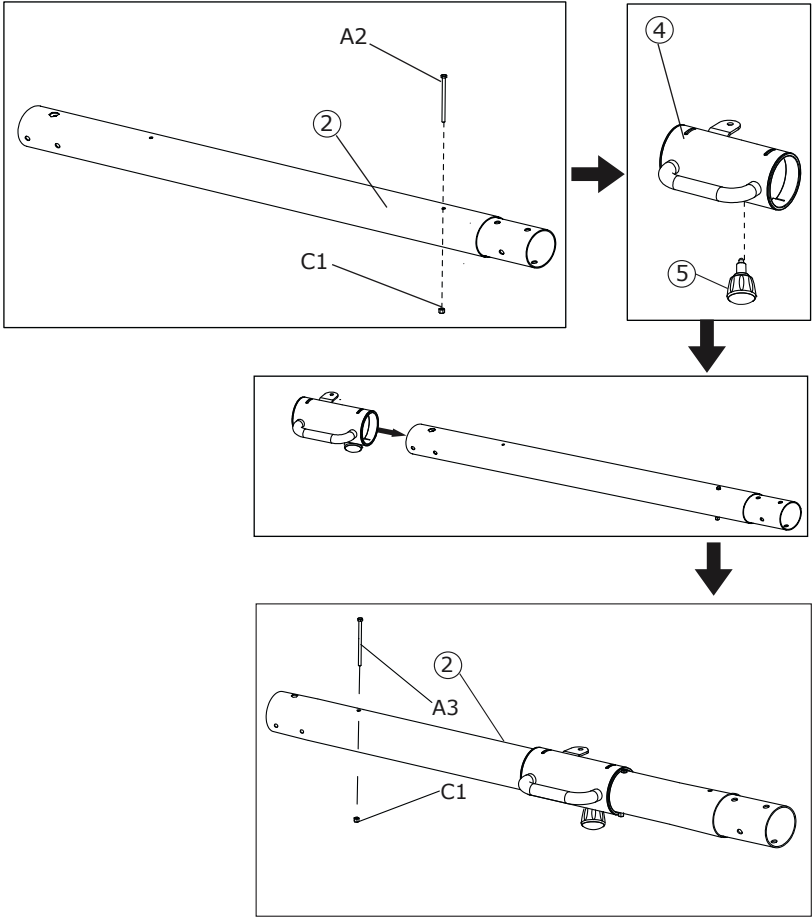


C3 M10 Locknut
4 pcs

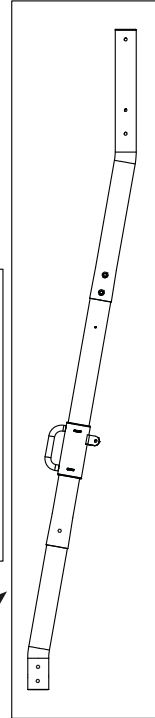
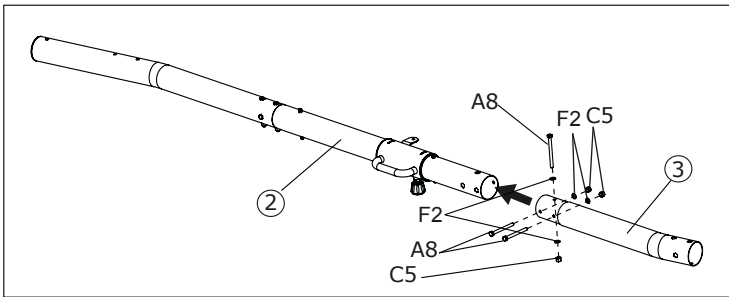
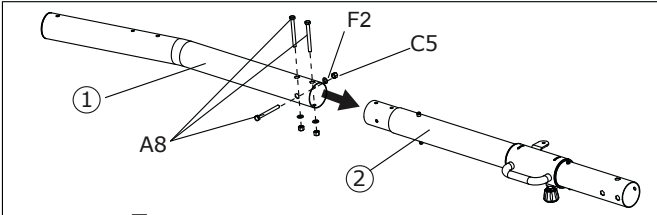


C5 M10 Locknut with cap
4 pcs

1

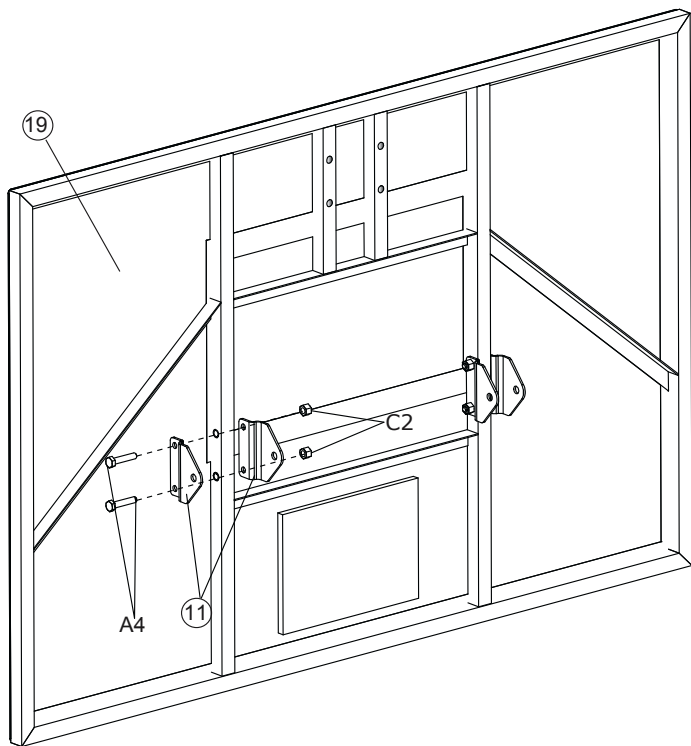


2

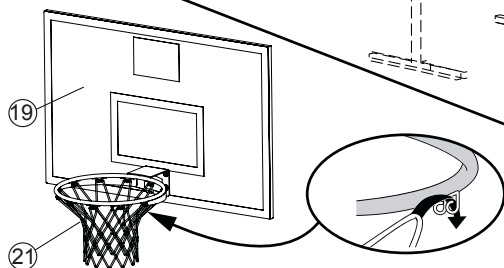
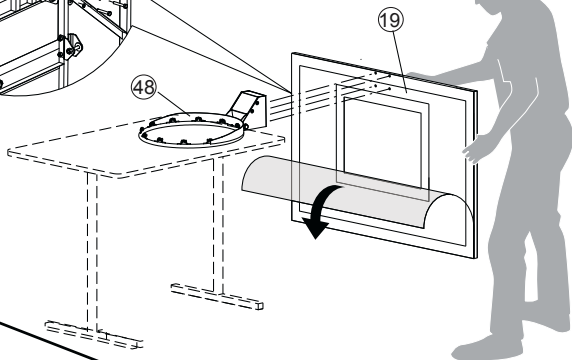
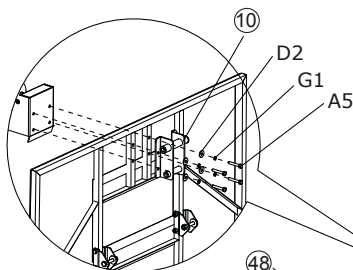
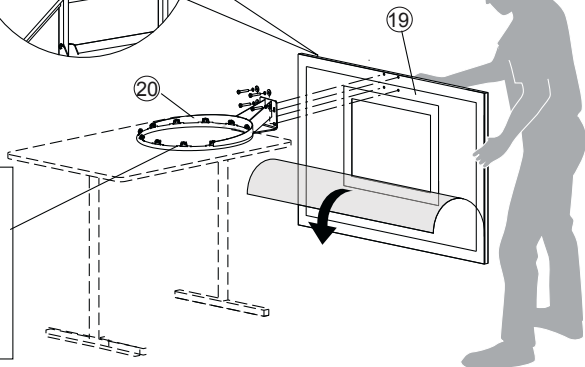
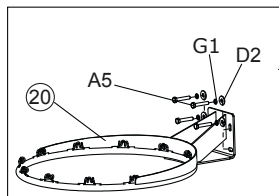
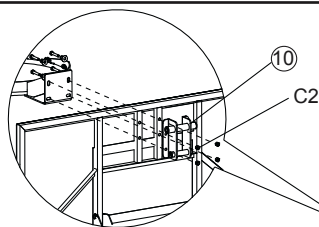


- EN If the frame parts aren't installed in the right place, please use the hammer to hit it.
- DE Verwenden Sie bitte den Hammer, wenn die Rahmenteile nicht an der richtigen Stelle installiert sind.
- NL Wanneer de framedelen niet op de juiste positie zitten kunt u de hamer gebruiken om de delen aan te tikken.
- FR Si les parties de cadre ne sont pas installés au bon endroit, se il vous plaît utiliser le marteau pour frapper.

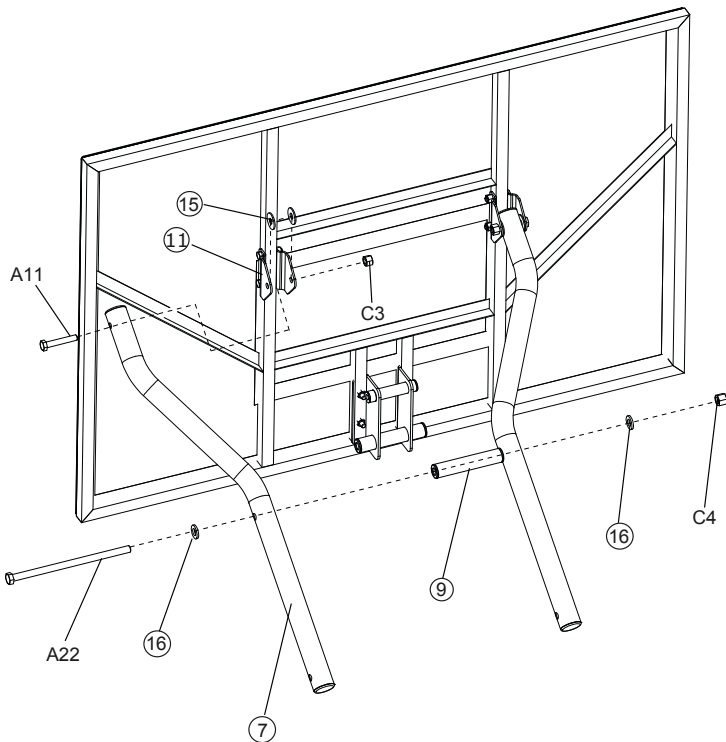
3



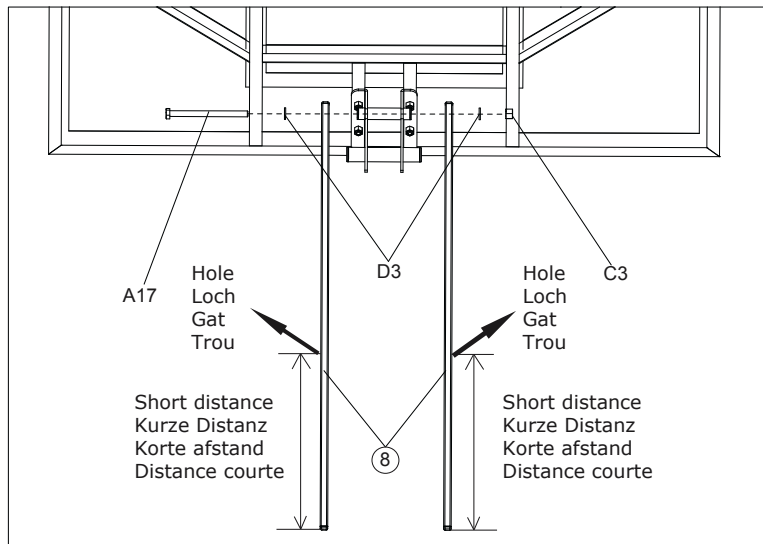
4



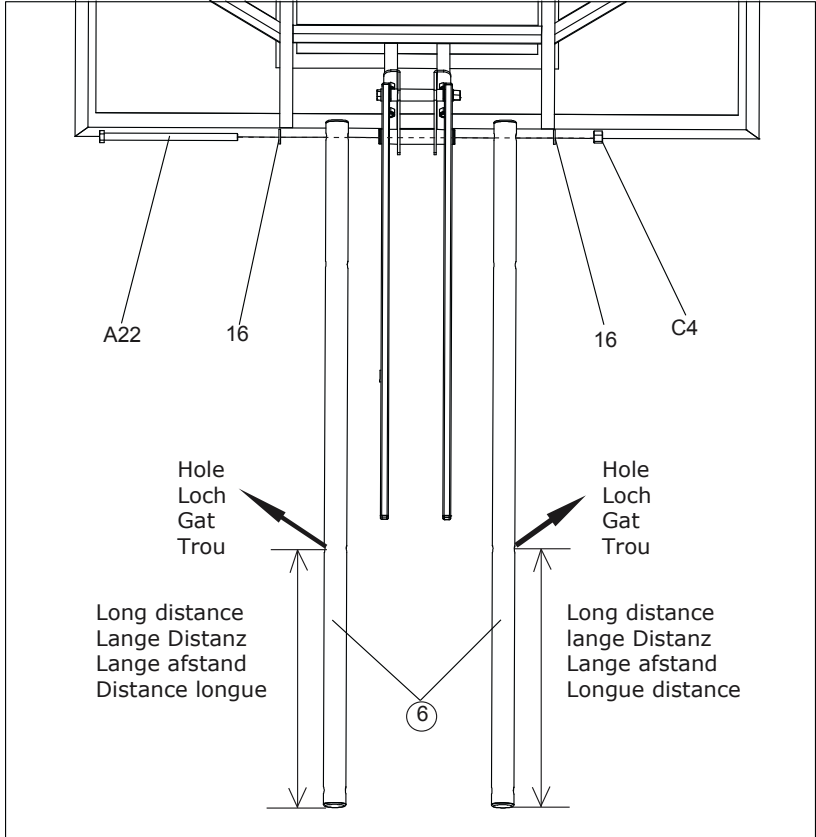
5



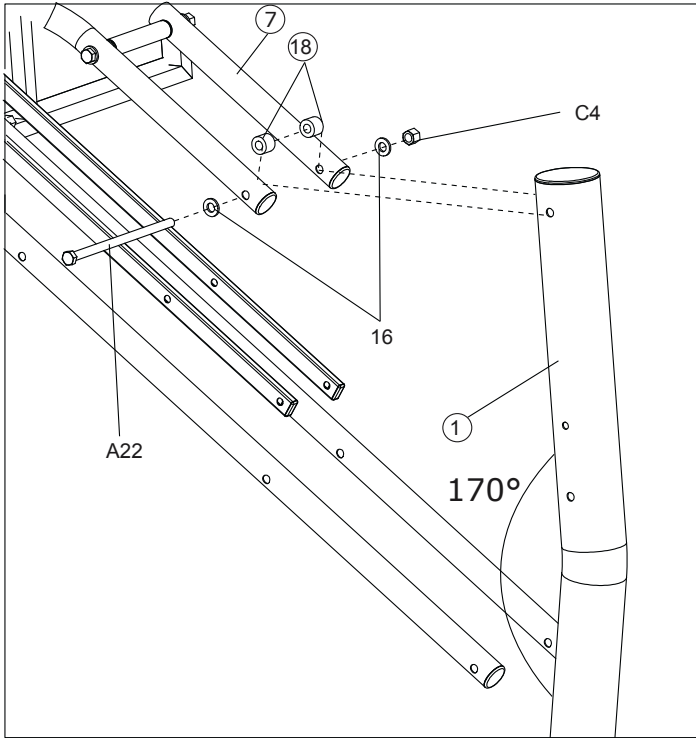
6



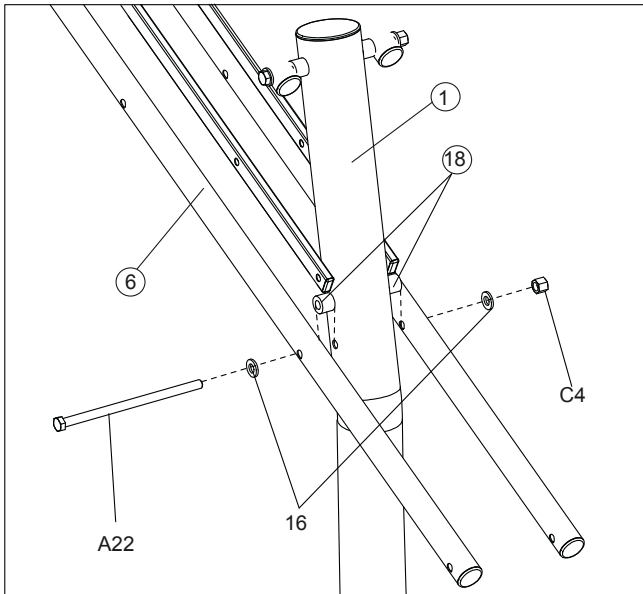
7



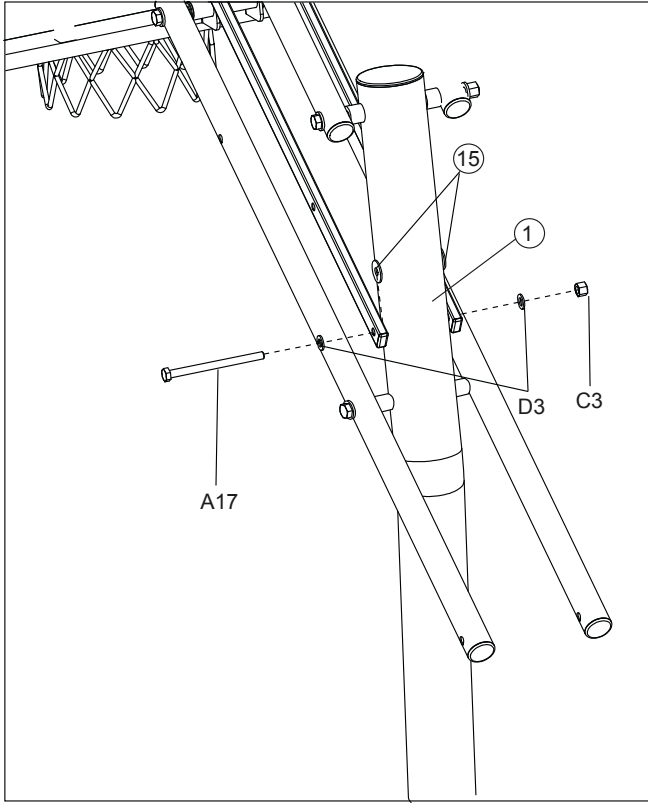
8



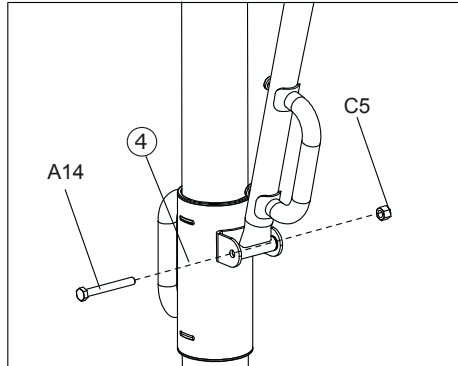
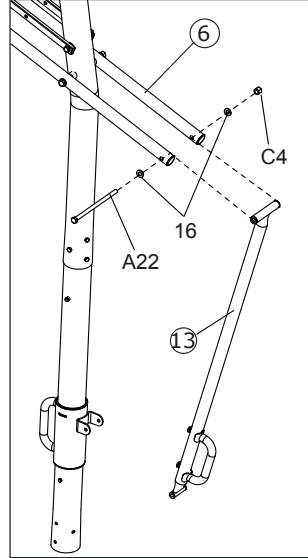
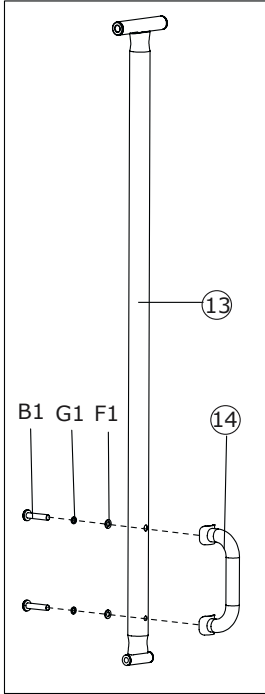
9



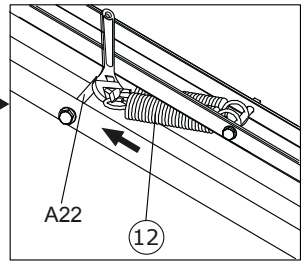
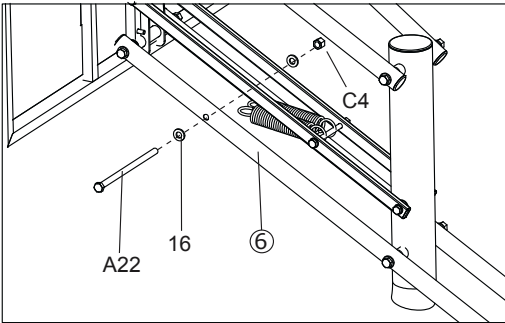
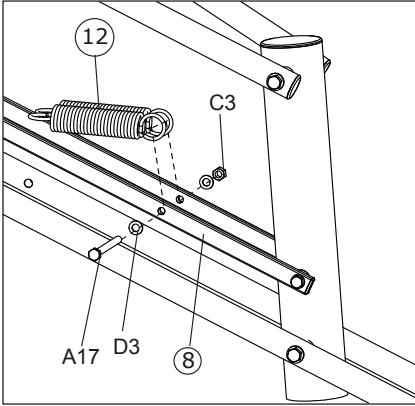
10

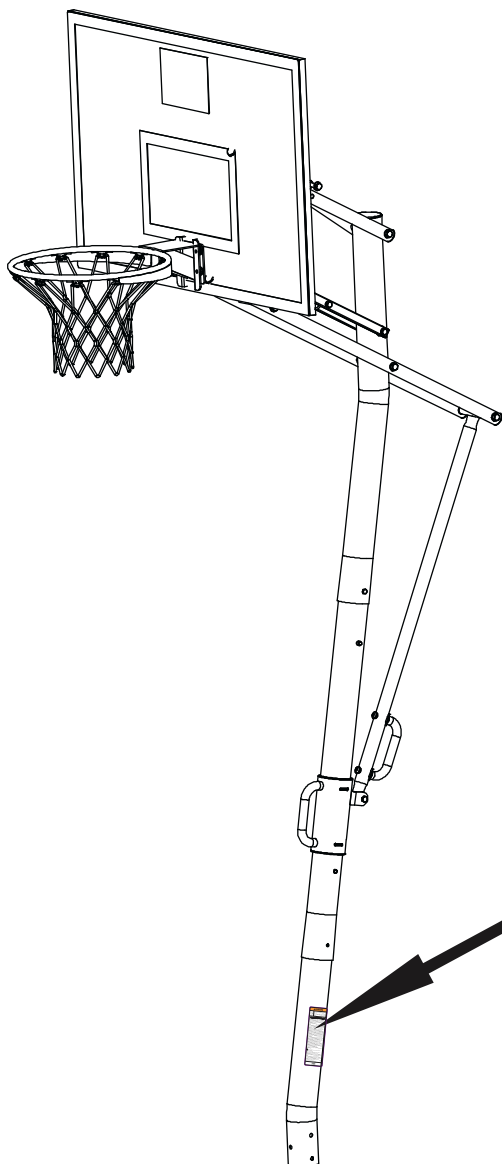


11



12





WARNING

Read and understand warnings listed below before using this product.

Failure to follow these warnings may result in serious injury and/or property damage.

Owner must ensure that all players know and follow these rules for safe operation of the system.

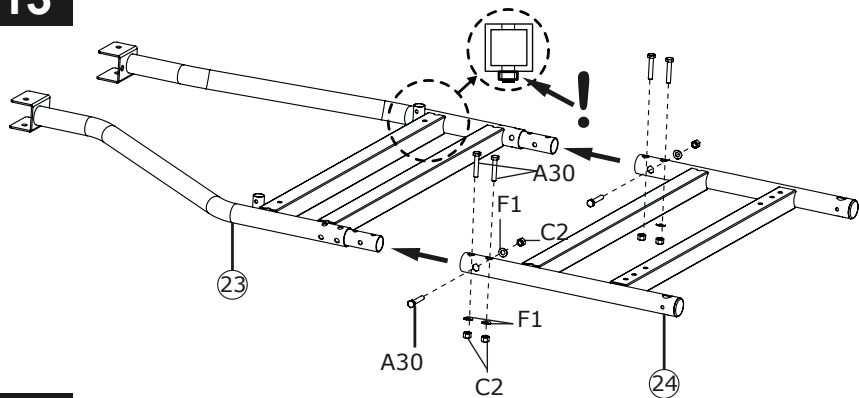
- DO NOT lean on the rim or any part of the system including backboard, support braces or net.

- During play, especially when performing dunk type activities, keep player's face away from the backboard, rim and net. Serious injury could occur if teeth/face come in contact with backboard, rim or net.
- Do not slide, climb, shake or play on base and/or pole.
- After assembly is complete, fill system completely with sand and stake to the ground. Never leave system in an upright position without filling base with weight, as system may tip over causing injuries.
- When adjusting height or moving system, keep hands and fingers away from moving parts.
- Do not allow children to move or adjust system.
- During play, do not wear jewelry (rings, watches, necklaces, etc.). Objects may entangle in net.
- Surface beneath the base must be smooth and free of gravel or other sharp objects. Punctures cause leakage and could cause system to tip over.
- Keep organic material away from pole base. Grass, litter, etc. could cause corrosion and/or deterioration.
- Check pole system for signs of corrosion (rust, pitting, chipping) and repaint with exterior enamel paint. If rust has penetrated through the steel anywhere, replace pole immediately.
- Check system before each use for proper ballast, loose hardware, excessive wear and signs corrosion and repair before use.
- Check system before each use for instability.
- Do not use system during windy and/or severe weather conditions; system may tip over. Place system in the storage position and/or in an area protected from the wind and free from personal property and/or overhead wires.
- Never play on damaged equipment.
- See instruction manual for proper installation and maintenance.

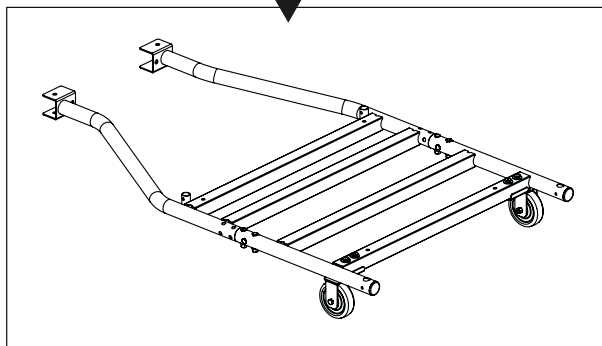
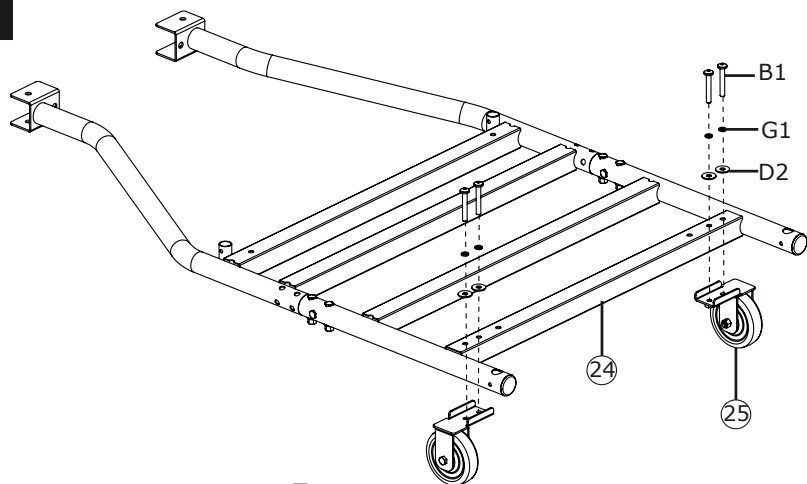
Please pay attention to the below items of Portable Basket:

- When moving system, use caution to keep mechanism from shifting.
- Keep pole top covered with cap at all times.
- While moving system, do not allow anyone to stand or sit on base or have added ballasting on base.
- Do not leave system unsupervised or play on system when wheels are engaged for moving.
- Use Caution when moving system across uneven surfaces. System may tip over.
- Use extreme caution if placing system on sloped surface. System may tip over more easily.

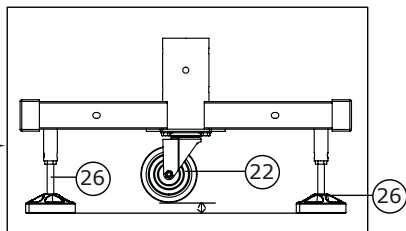
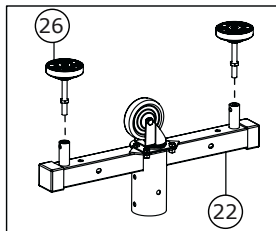
13



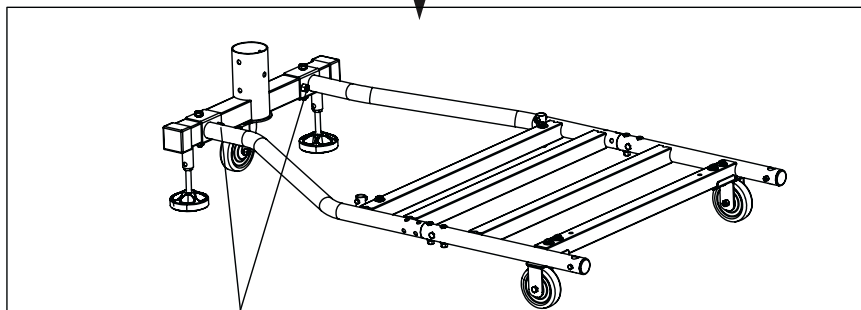
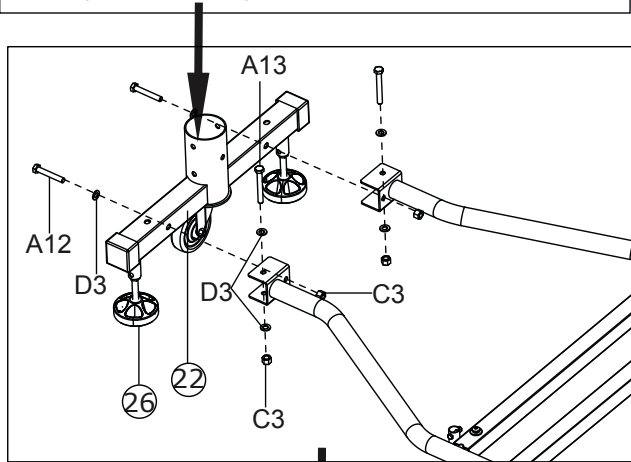
14



15

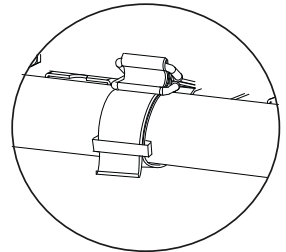
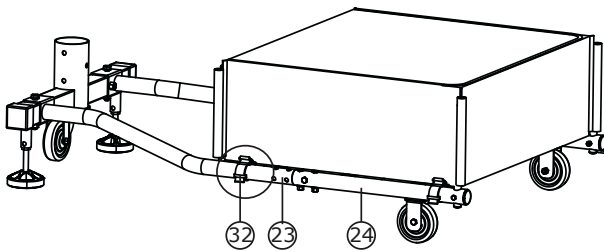
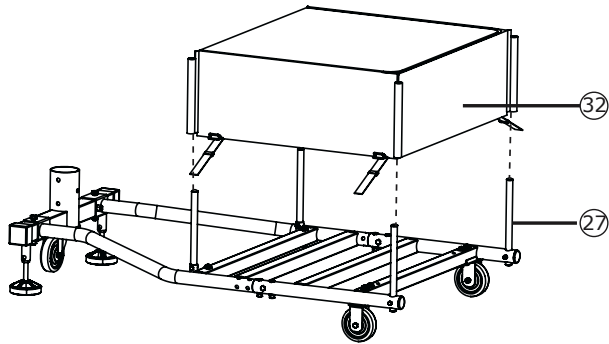
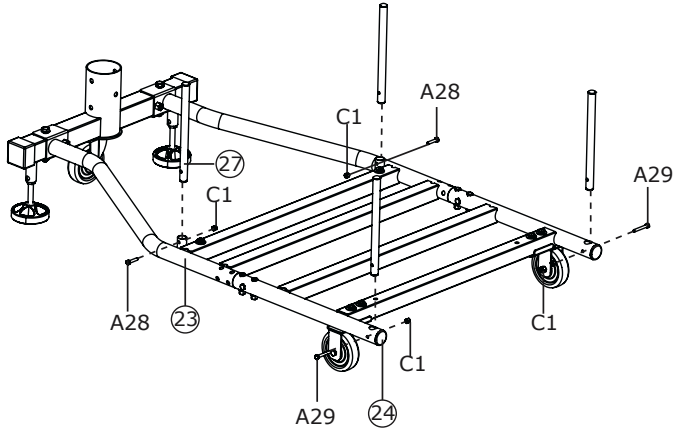


Note: Check the right Wheel Carriage Assembly direction.
 Bitte beachten Sie die Richtung der Transportrollen.
 Opmerking: let op de richting van het wielframeonderdeel.
 Remarque: sens de la pièce de cadre de roue.

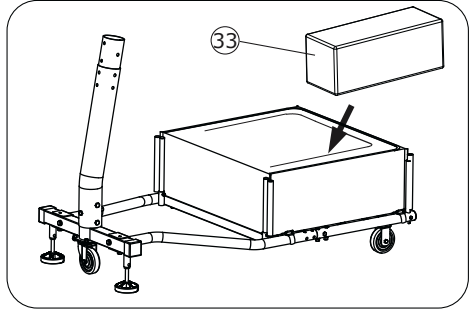
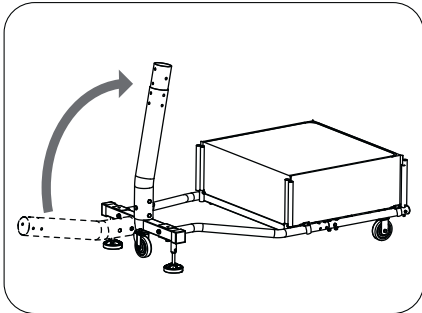
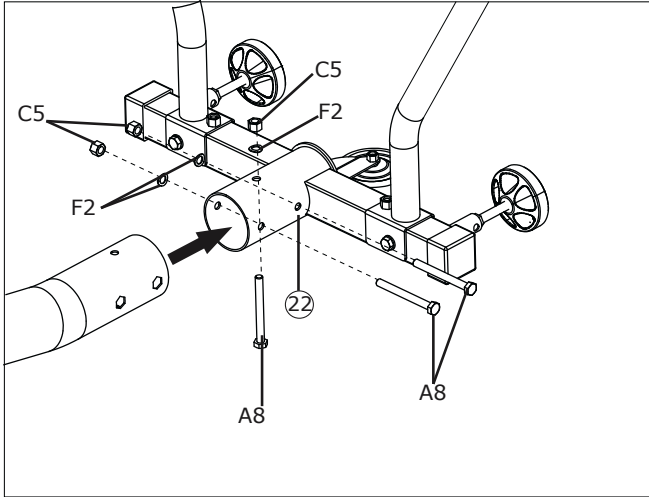


Don't over tighten the locknuts on the this parts.
 Die Kontermuttern auf diese Teile nicht zu fest anziehen.
 De moeren op deze onderdelen niet te strak aandraaien.
 Ne pas trop serrer les écrous sur le de cette pièce.

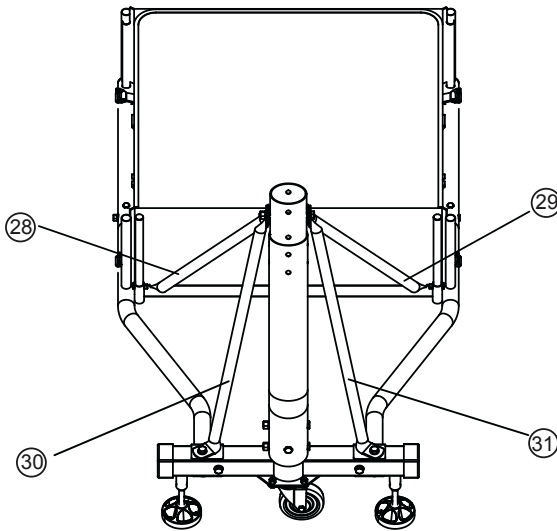
16



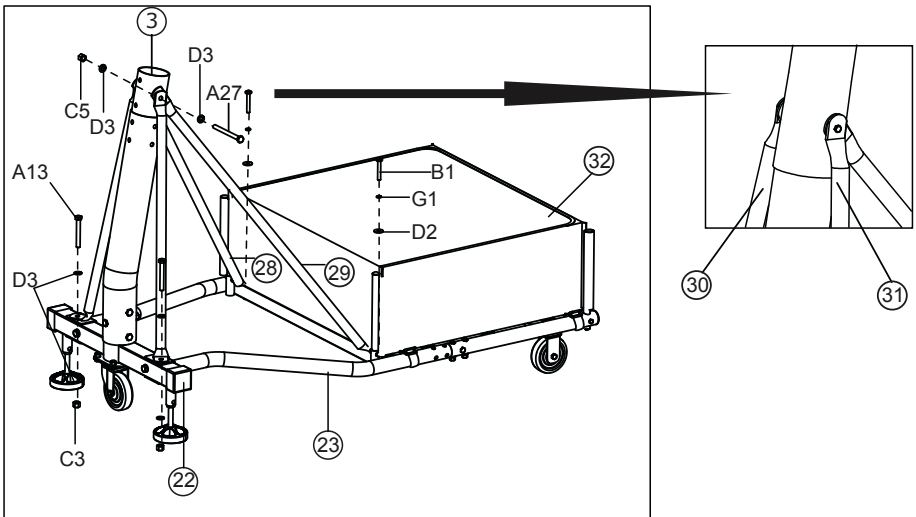
17



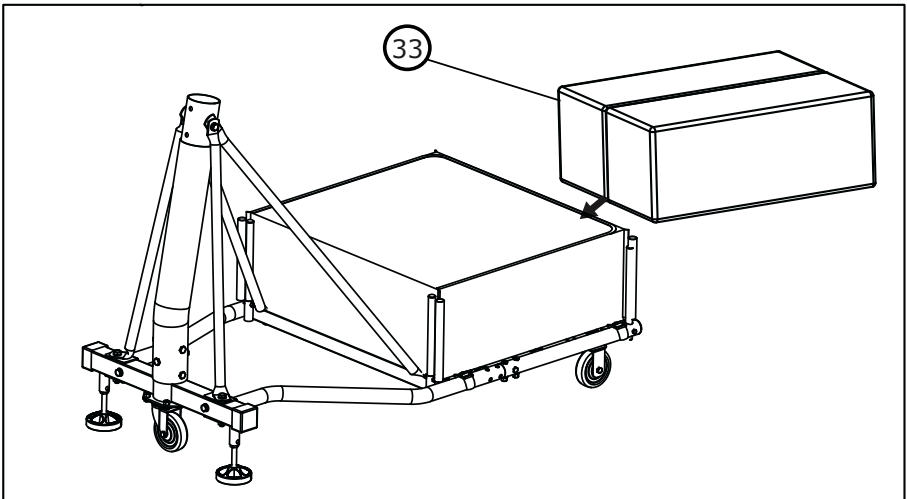
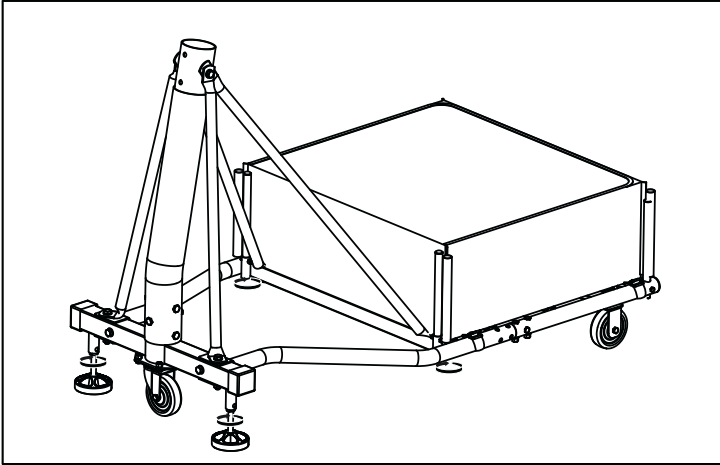
18



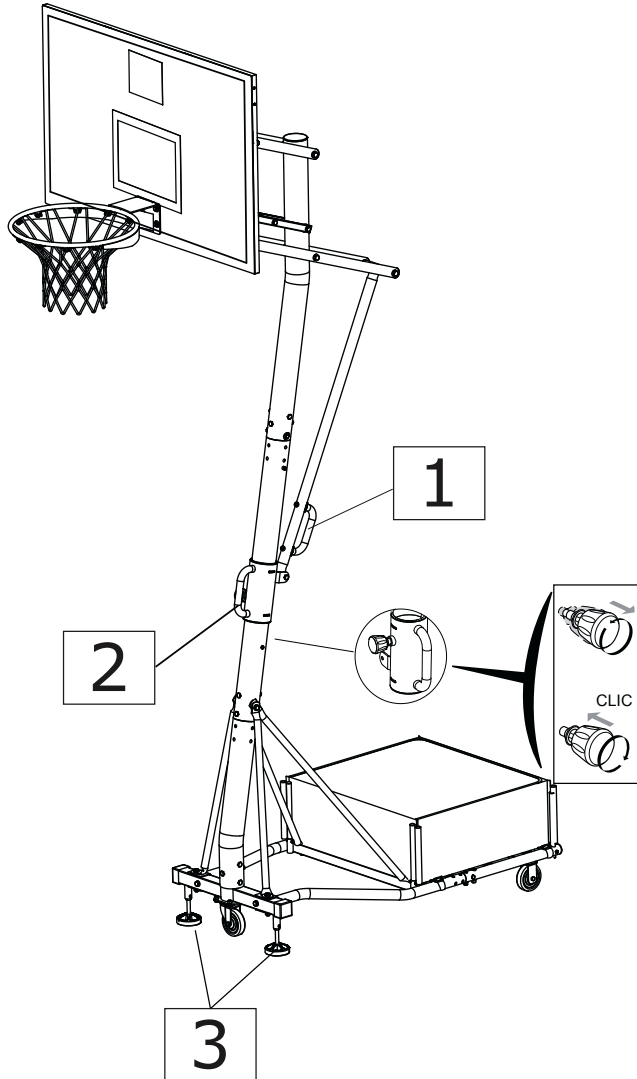
19



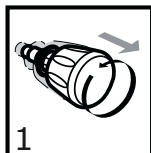
20



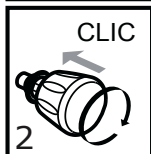
21



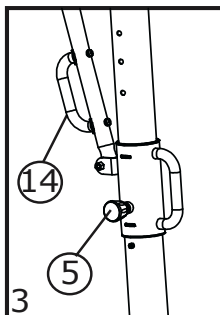
22



1



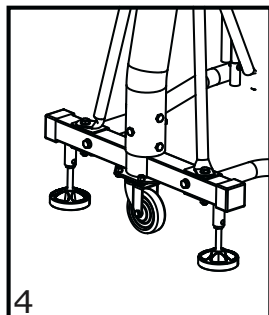
2



14

5

3



4

⚠ WARNING!

TWO PEOPLE ARE REQUIRED FOR THE ASSEMBLY. FAILURE TO FOLLOW THIS WARNING COULD RESULT IN SERIOUS INJURY AND/OR PROPERTY DAMAGE.

⚠ WARNUNG!

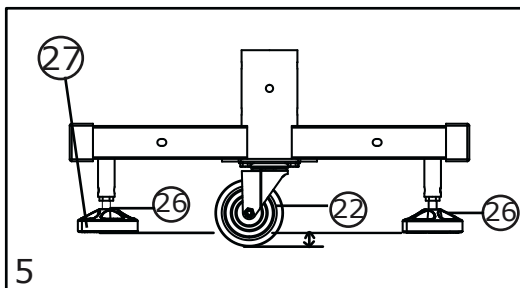
ES SIND ZWEI PERSONEN ERFORDERLICH FÜR DIE MONTAGE. EIN MISSACHTEN DIESER WARNUNG KANN ZU SCHWEREN VERLETZUNGEN UND/ODER SACHSCHÄDEN FÜHREN.

⚠ WAARSCHUWING!

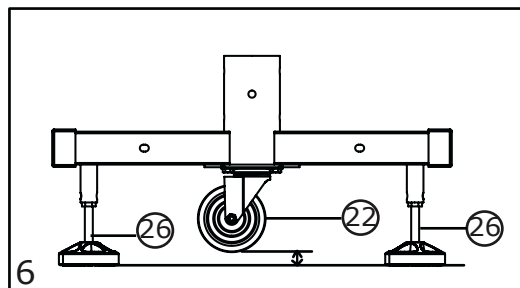
ER ZIJN TWEE PERSONEN VEREIST VOOR DE MONTAGE. NEGEREN VAN DEZE INSTRUCTIES KAN LEIDEN TOT ERNSTIG LETSEL EN/OF SCHADE AAN BEZITTINGEN

⚠ AVERTISSEMENT!

IDEUX PERSONNES SONT NÉCESSAIRES POUR L'ASSEMBLÉE. SUIVEZ CET AVERTISSEMENT SOUS PEINE D'ENCOURIR DES BLESSURES GRAVES ET/OU DES DÉGÂTS MATÉRIELS.

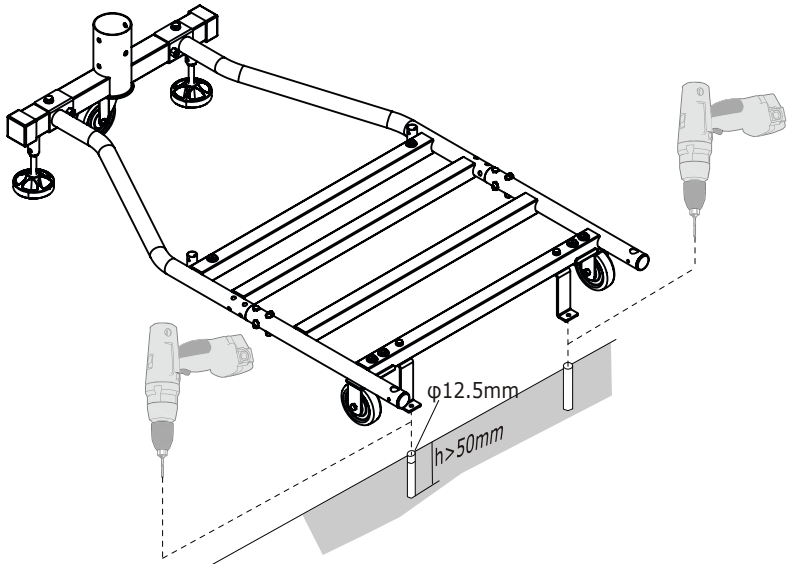
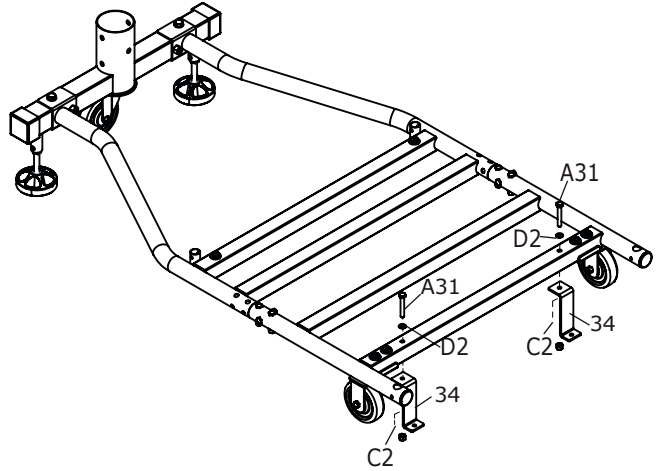


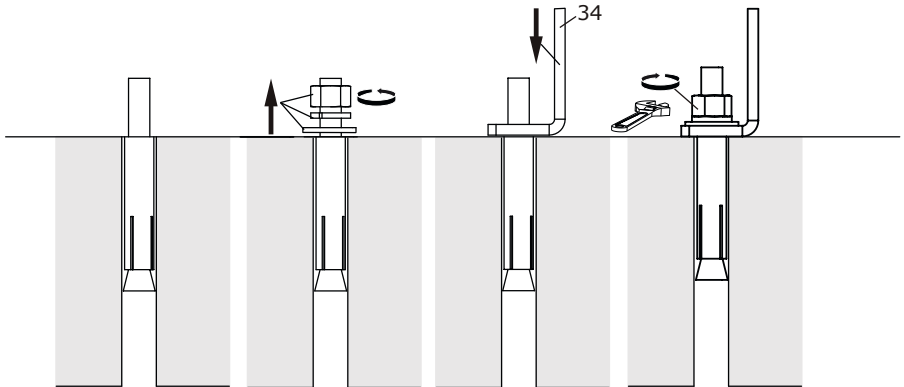
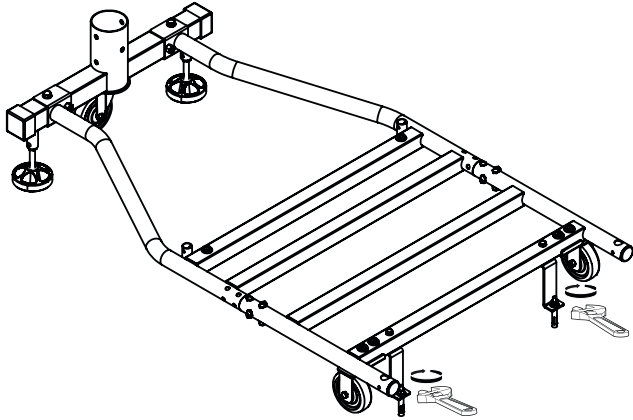
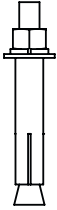
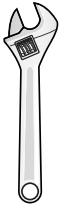
5



6

23





EN:

Congratulations! Your EXIT Galaxy Basketball hoop is now fully assembled (put together).

DE:

Herzlichen Glückwunsch! Ihr EXIT Galaxy Basketballkorb ist nun montiert und bereit zum Gebrauch!

NL:

Gefeliciteerd! Uw EXIT Galaxy Basketball systeem is gemonteerd en klaar voor gebruik!

FR:

Félicitations ! Votre EXIT Galaxy Panier de basket est assemblé et prêt à l'emploi!





Galaxy
Portable Basketball System
Owners Manual

Contact:
Dutch Toys Group B.V.
P.O. Box 369, 7000AJ, Doetinchem, Netherlands
Edisonstraat 83, 7006RB, Doetinchem, Netherlands

info@exittoys.com
www.exittoys.com