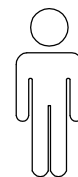
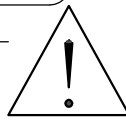
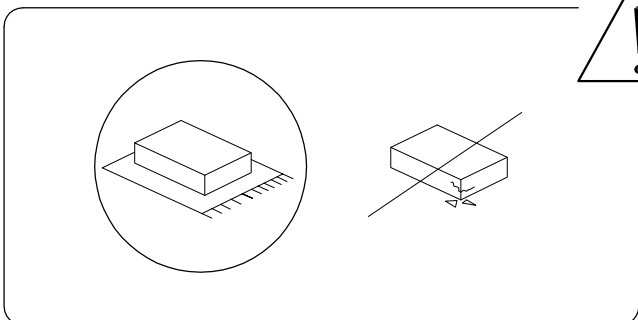

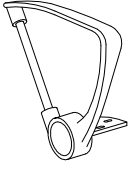

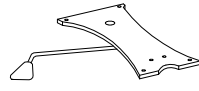


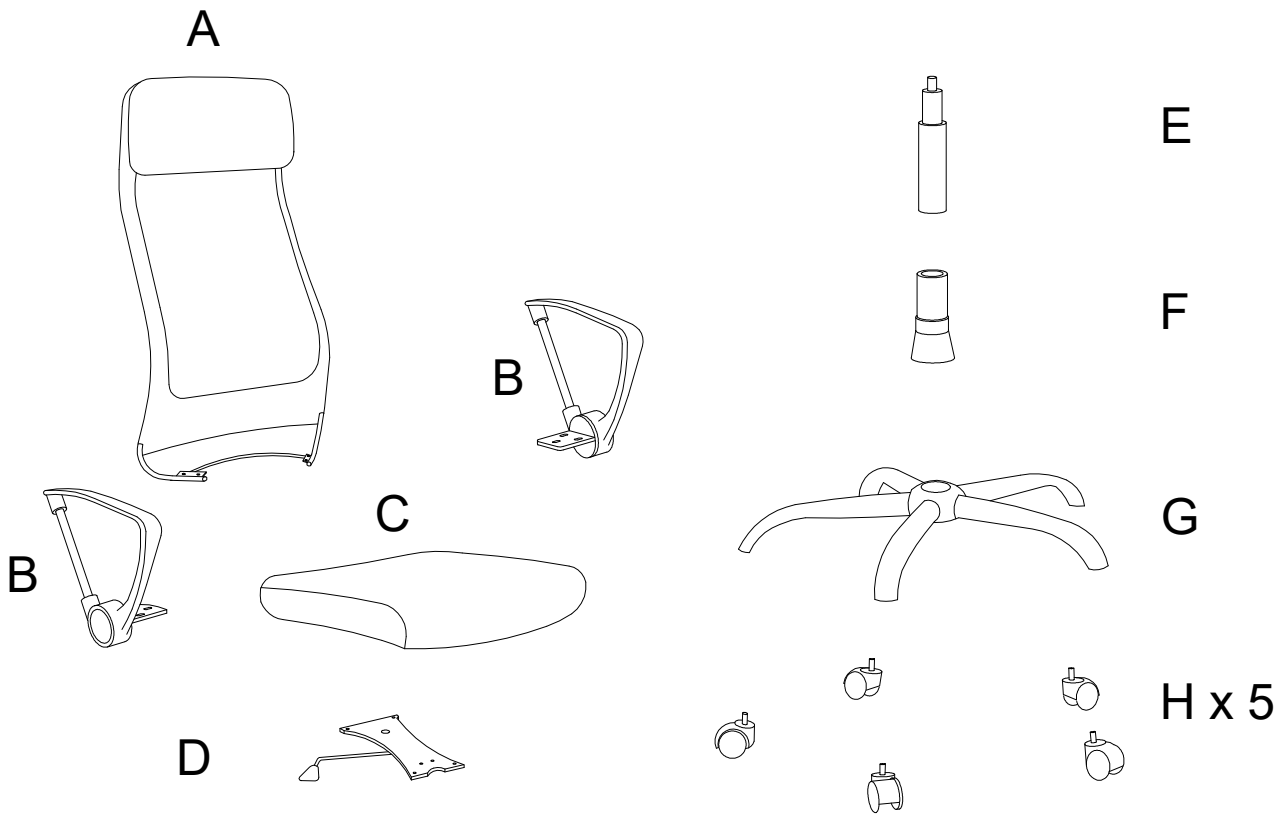
30'


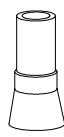

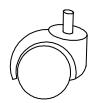

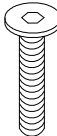
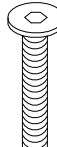
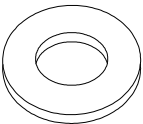
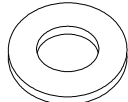
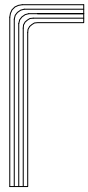


1

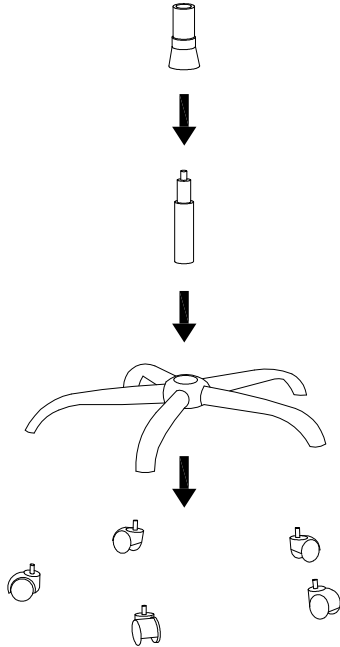
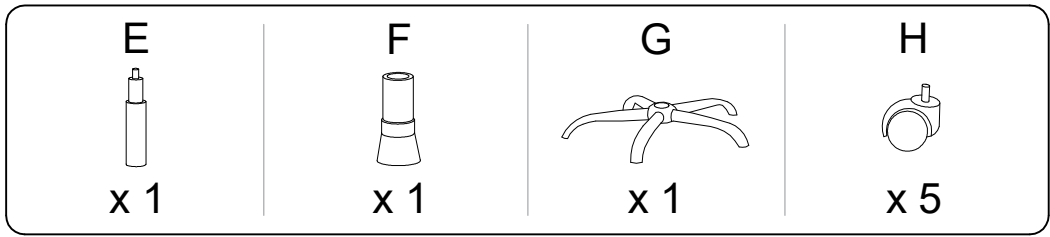
1/5

<b>A</b>  <b>x 1</b>	<b>B</b>  <b>x 2</b>	<b>C</b>  <b>x 1</b>	<b>D</b>  <b>x 1</b>
---	---	--	---

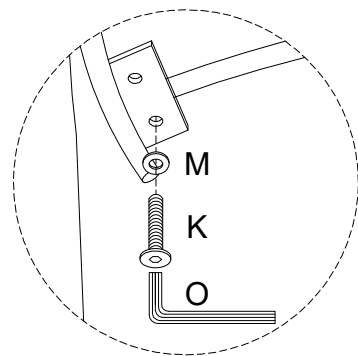
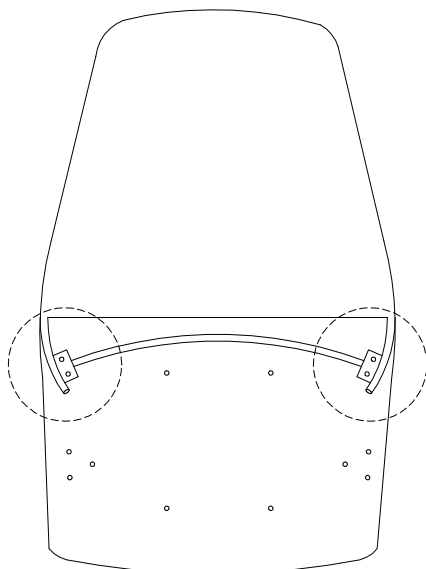
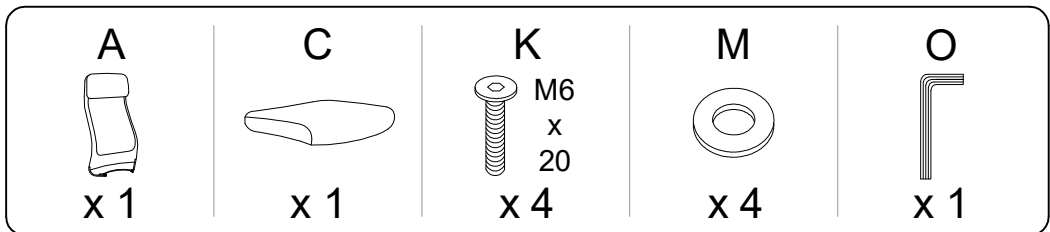


<b>E</b>  <b>x 1</b>	<b>F</b>  <b>x 1</b>	<b>G</b>  <b>x 1</b>	<b>H</b>  <b>x 5</b>	<b>I</b>  <b>x 2</b>
<b>K</b>  <b>x 8</b>	<b>L</b>  <b>x 6</b>	<b>M</b>  <b>x 8</b>	<b>N</b>  <b>x 6</b>	<b>O</b>  <b>x 1</b>

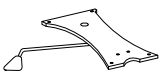
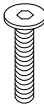
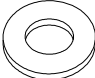
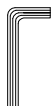
1

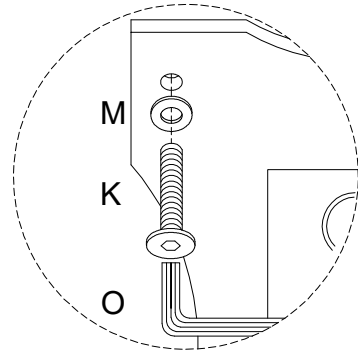
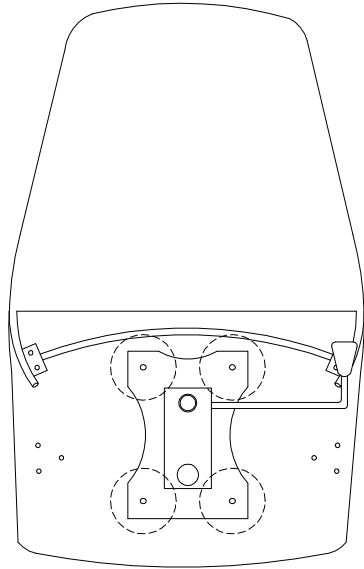


2


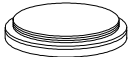


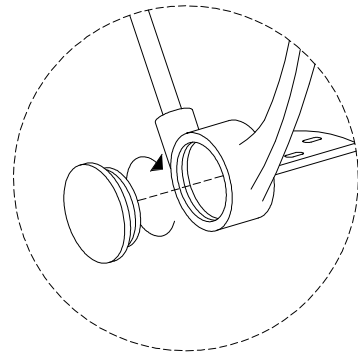
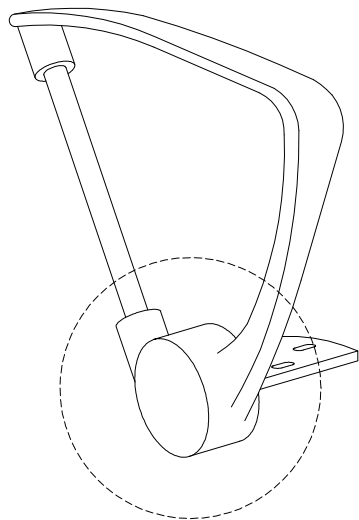
3

<p>D</p>  <p>x 1</p>	<p>K</p>  <p>M6 x 20</p> <p>x 4</p>	<p>M</p>  <p>x 4</p>	<p>O</p>  <p>x 1</p>
---	--	--	---



4

<p>B</p>  <p>x 2</p>	<p>I</p>  <p>x 2</p>
---	---

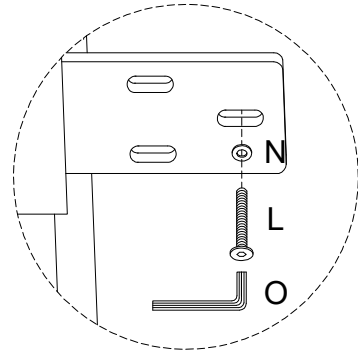
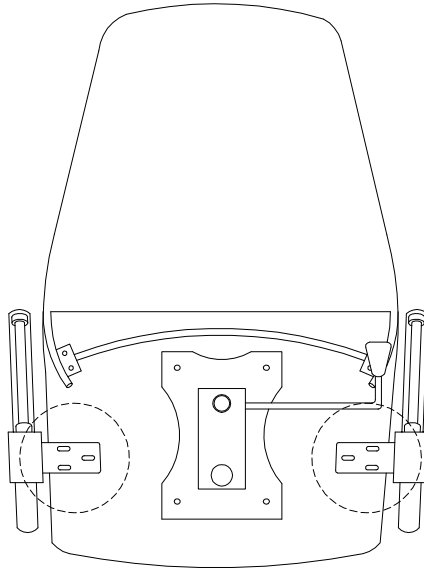


5

L  
M6  
x  
25  
x 6

N  
x 6

O  
x 1



6

