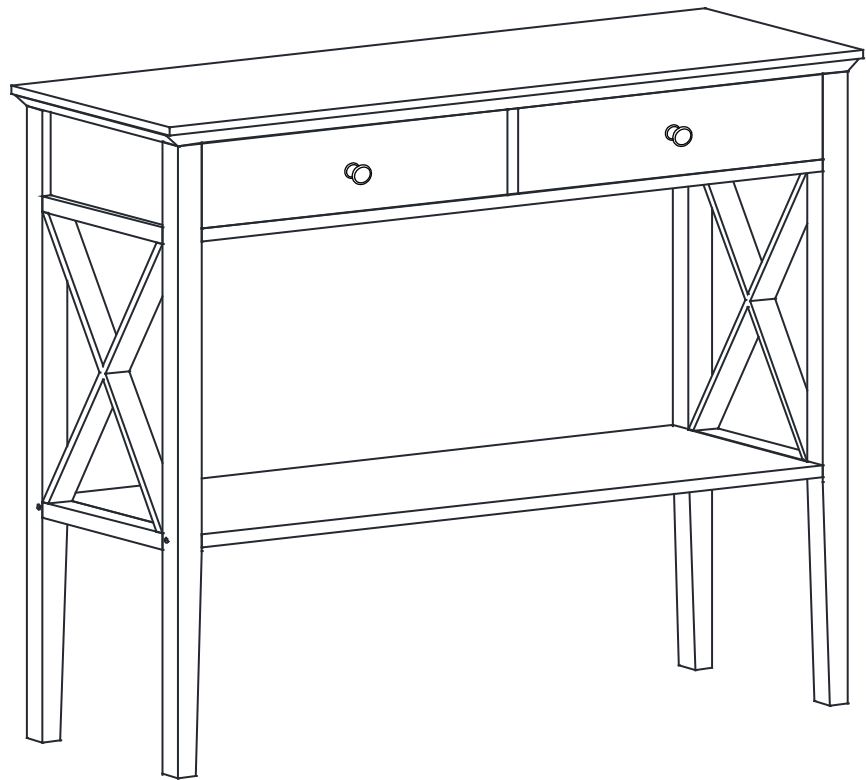


ASSEMBLY INSTRUCTION



Assembly Instructions

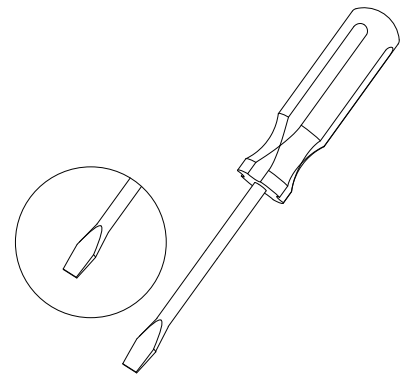
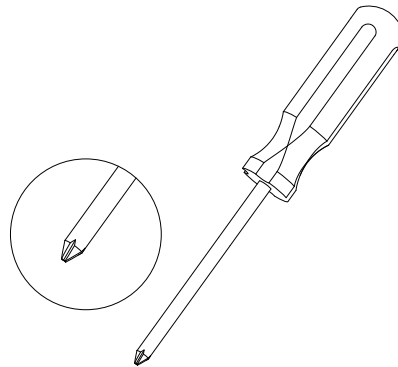
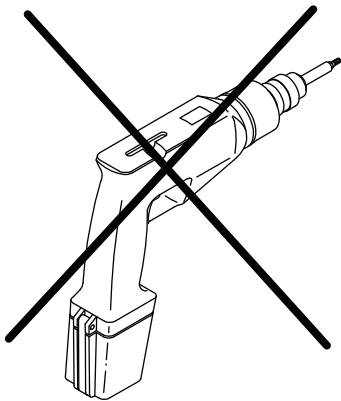
We have designed our furniture with you, the customer in mind. Our clear, easy to follow step by step instructions will guide you through the project from start to finish. Feel confident that this will be a fun and rewarding project. The final product will be a quality piece of furniture that will go together smoothly and give years of enjoyment.

Care and Clean

1. Place out of direct sunlight so the color remains fresh and crisp .
2. Dust or wipe clean with a cloth dampened with water . Be sure not to leave water spots on the surface . These water spots will dry and could possibly leave permanent marks.

Thank you for purchasing this quality product. This product has been designed for easy assembly and constructed for durability. All parts were checked prior to packaging to insure quality. Prior to beginning assembly, however, make sure all parts and hardware are included and free of obvious defect. If a part is missing or defective, please contact the service where purchased.

ASSEMBLY TOOLS REQUIRED NOT INCLUDED

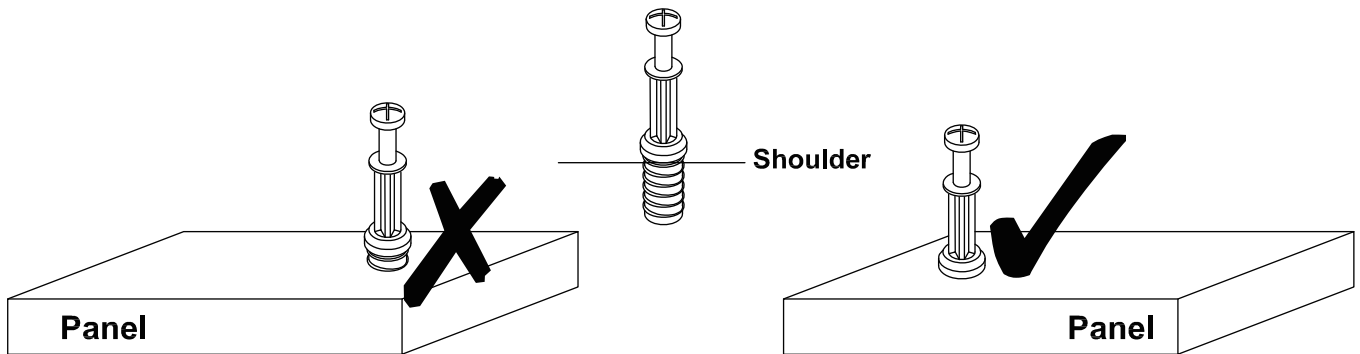


Before assembly

Tips before your start:

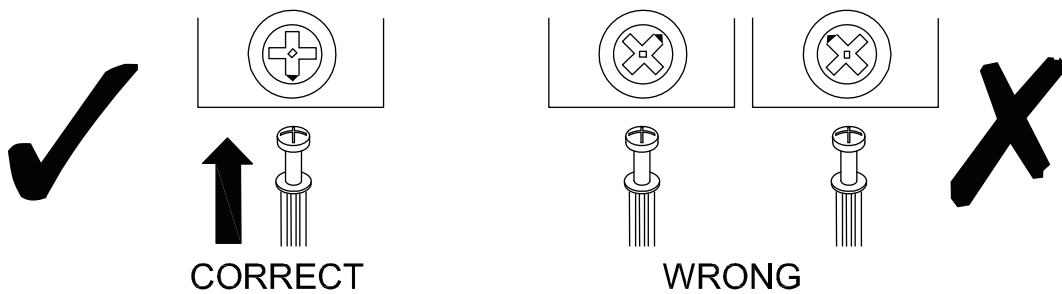
- Remove all wrapping material, including staples & packing straps before you start to assemble.
- DO NOT tighten all screws and bolts until completely assembled.
- Keep all hardware parts out of reach of children.

QUICKFIT



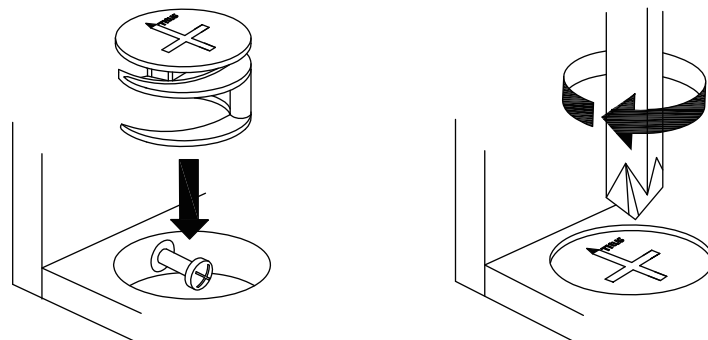
Tighten quickfit until shoulder is flush with panel. Do not overtighten or undertighten.

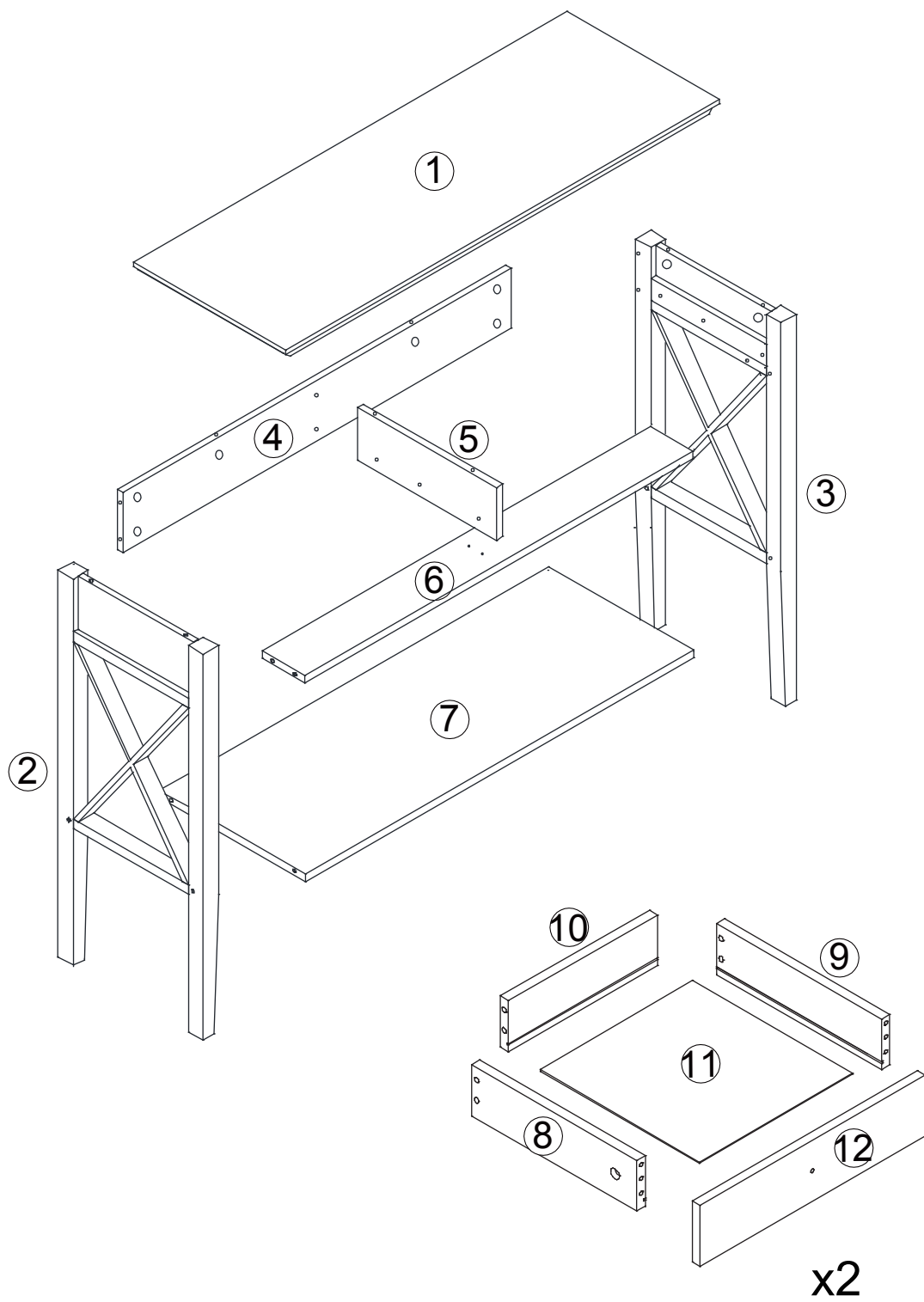
CAM LOCK



When fitting cam lock, ensure starting position is correct before you insert connecting quickfit.

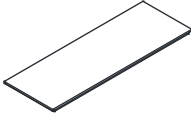


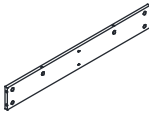
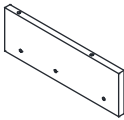
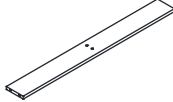

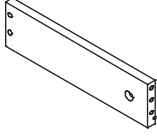
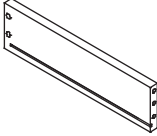
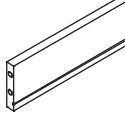
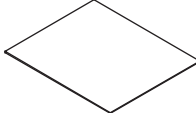
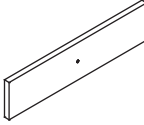
Quickfit head should be in the centre of the cam lock when the two panels are joined. Cam lock should be inserted before quickfit.







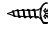

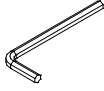








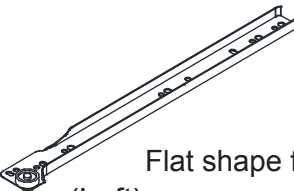
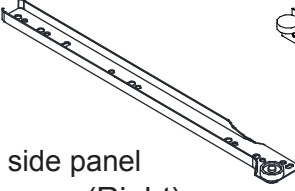
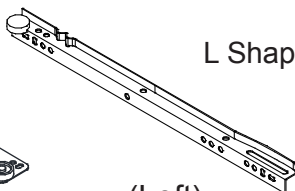
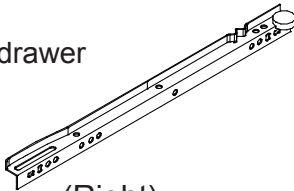
Part list

When unpacking, please be careful not to discard any parts with the packaging.
Before continuing, please make sure you have the following parts:

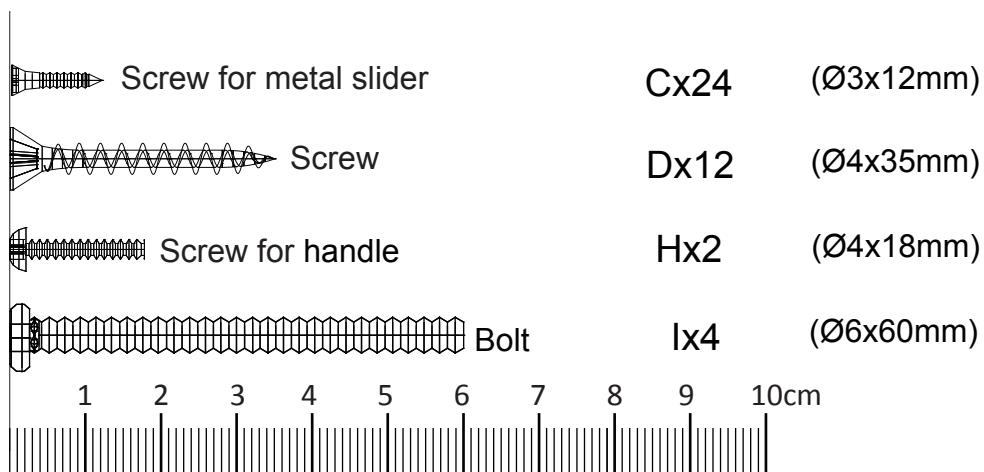
NO	Description	Qty	Sketch	NO	Description	Qty	Sketch
①	Top panel	1		②	Left side panel	1	
③	Right side panel	1		④	Back panel	1	
⑤	Partition	1		⑥	Stretcher	1	
⑦	Shelf	1		⑧	Drawer left side panel	2	
⑨	Drawer right side panel	2		⑩	Drawer back panel	2	
⑪	Drawer bottom panel	2		⑫	Drawer front panel	2	

Hardware list

When unpacking, please be careful not to discard any parts with the packaging. Before continuing, please make sure you have all of the following hardware:

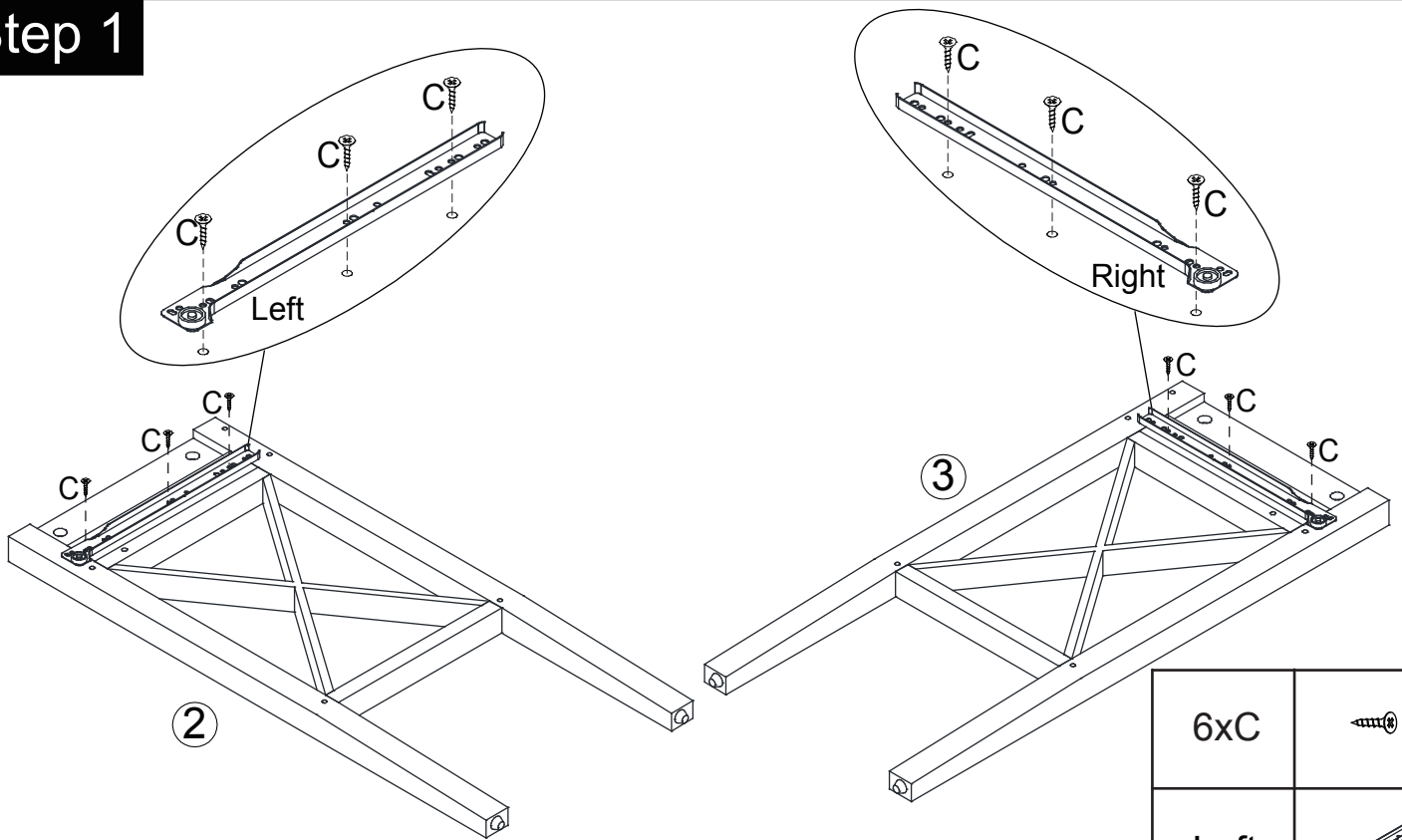
 Cam Bolt Ax20	 Cam Lock Bx20	 Screw Cx24	 Screw Dx12	 Allen Key Ex1
 Wooden Dowel Fx9	 Handle Gx2	 Screw Hx2	 Bolt lx4	 Bolt Nut Jx4
 Anti-tip Bracket Kx1	 Screw Lx1	 Anchor Mx1		
   				




Actual size



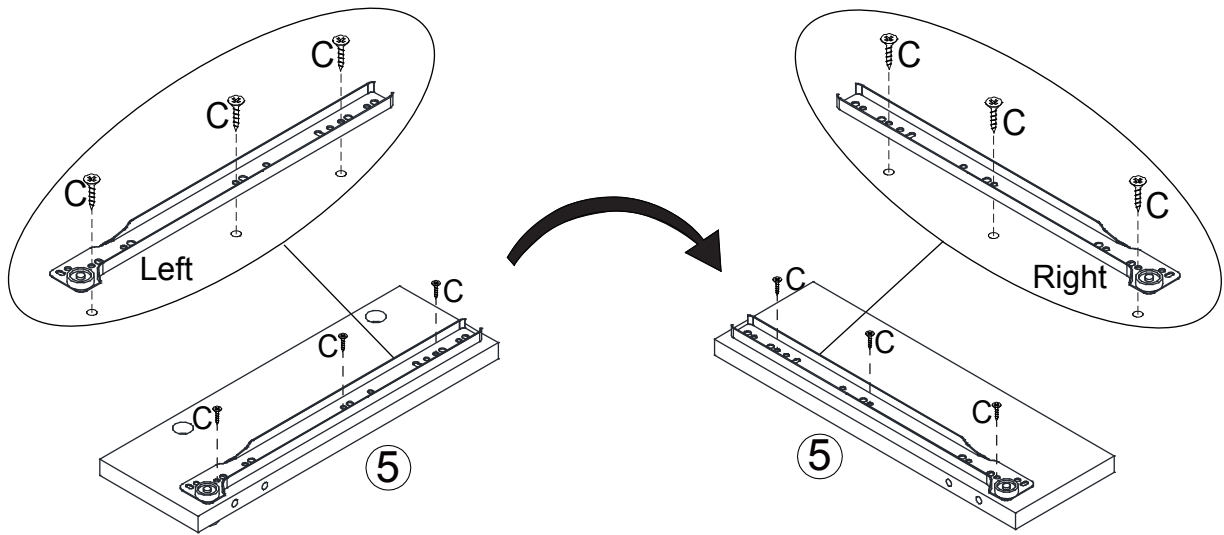
(The hardware quantities listed above are required, For proper assembly some extra hardware may have been included.)




Step 1



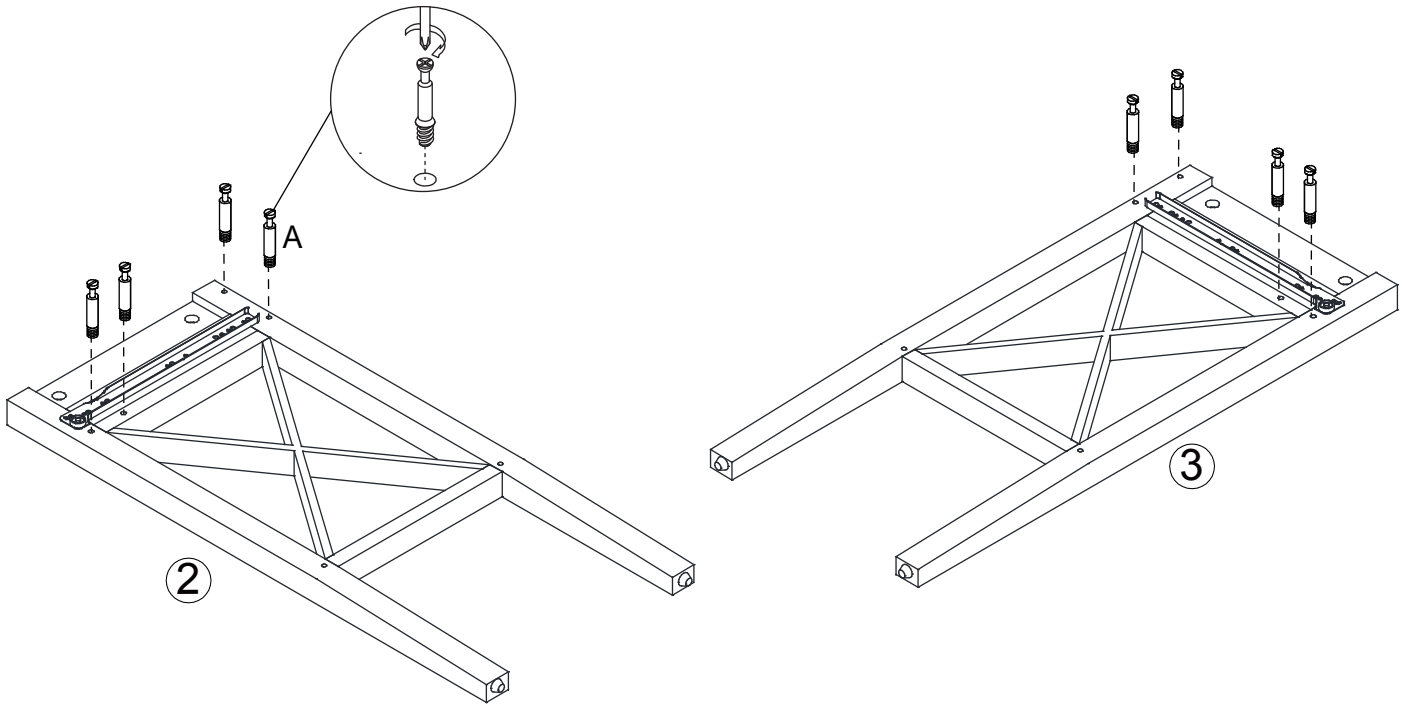
6xC	
Left	
Right	

Step 2



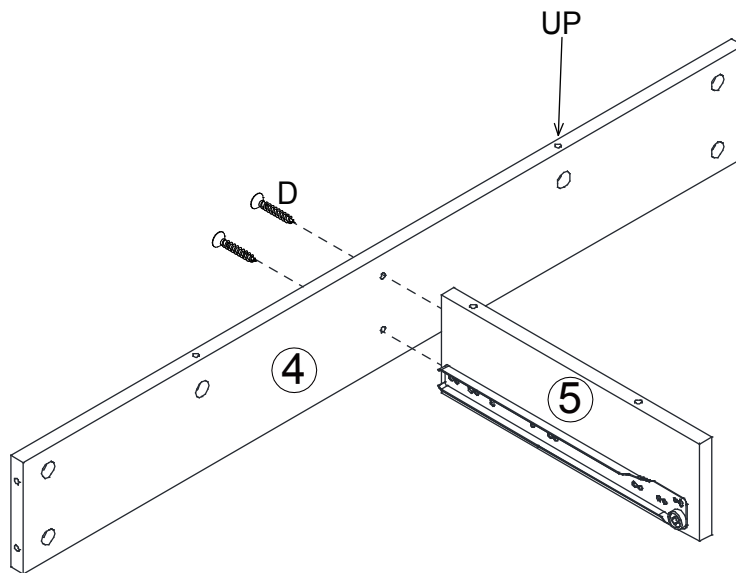
6xC	
Left	
Right	


Step 3



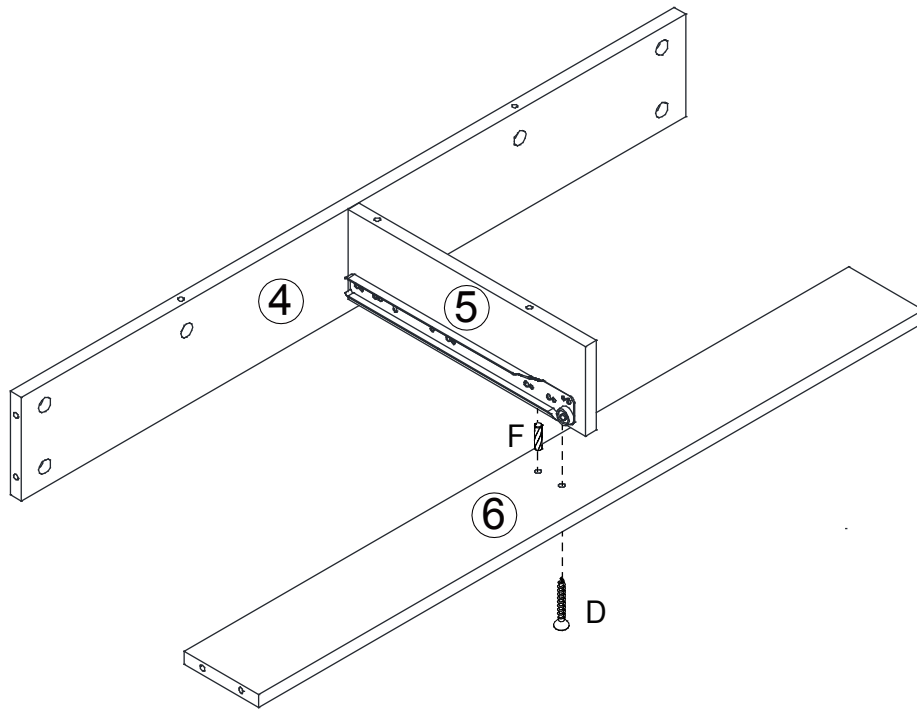
8xA	
-----	--


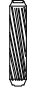
Step 4



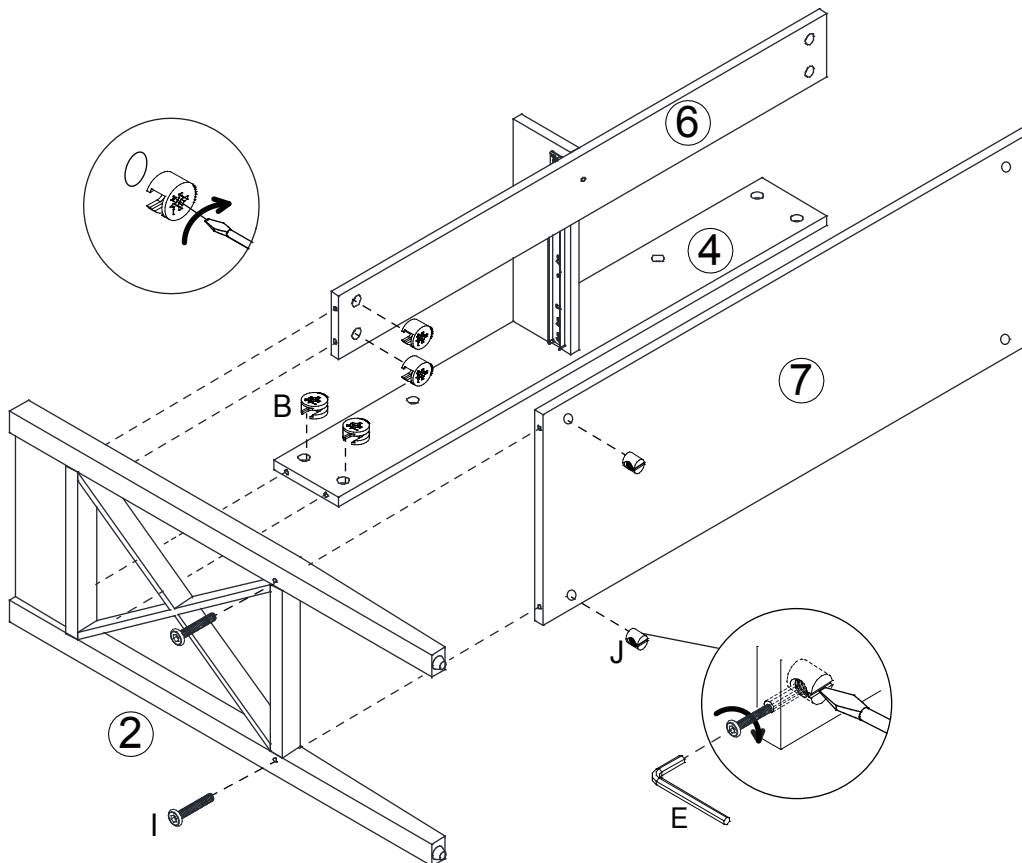
2xD	
-----	---




Step 5



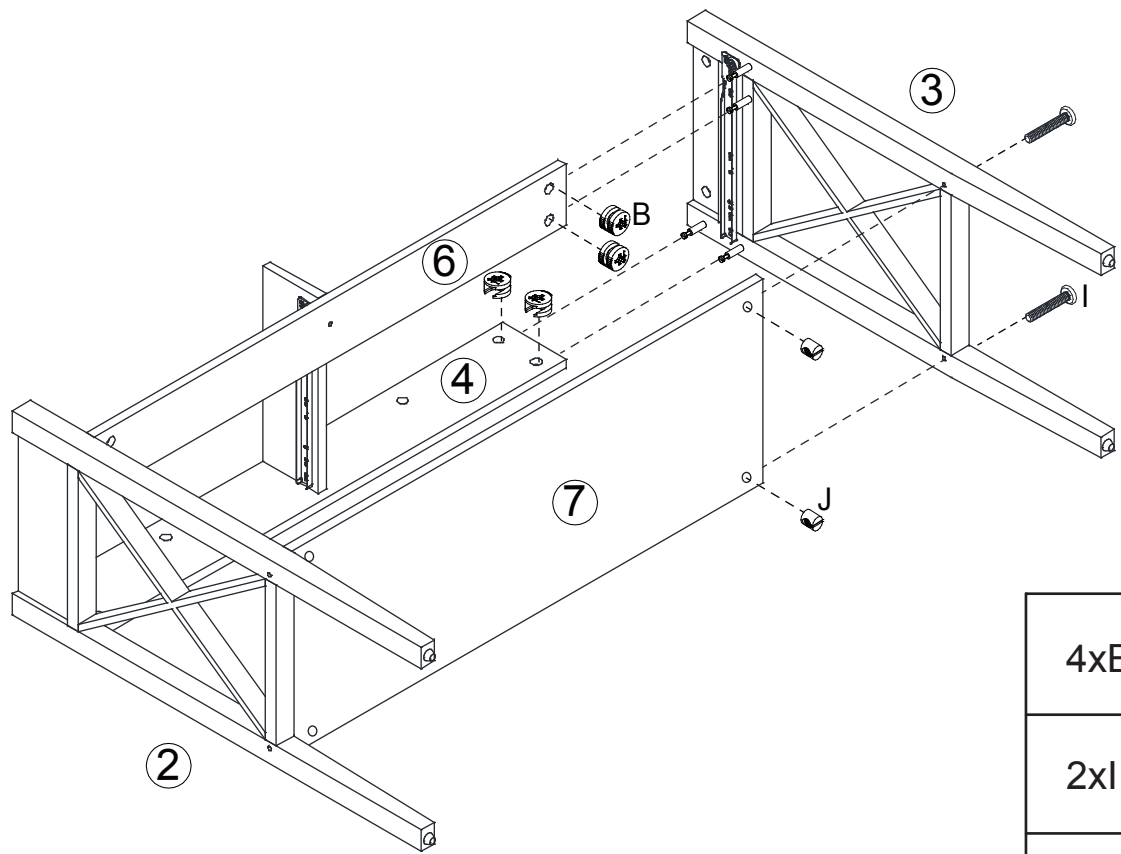
1xD	
1xF	




Step 6



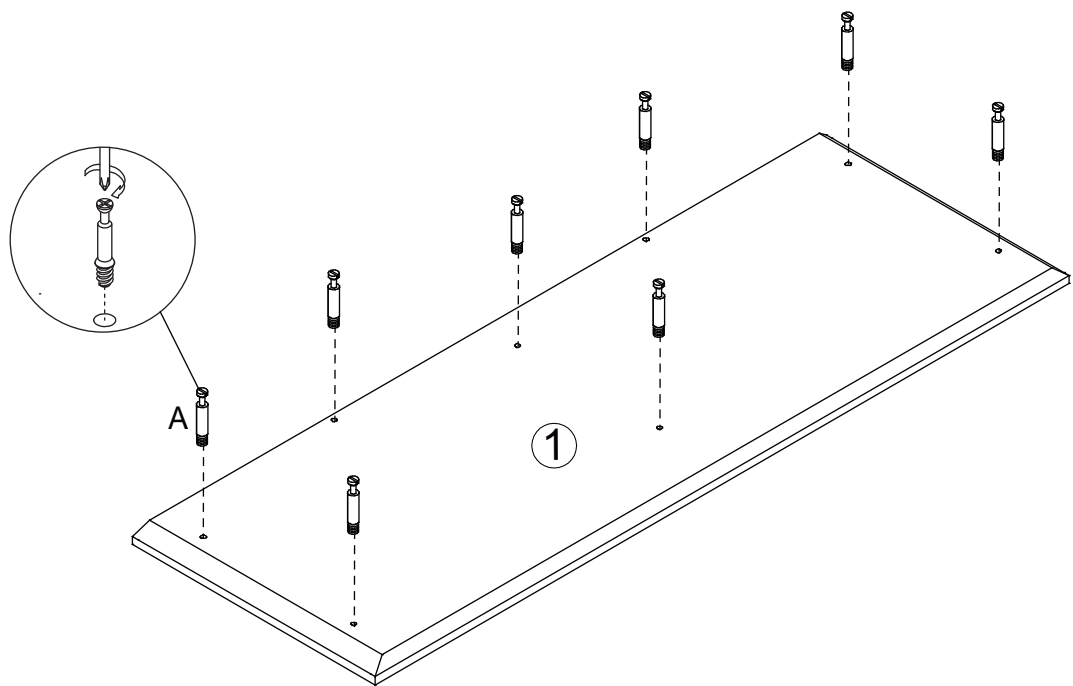
4xB	
2xI	
2xJ	

Step 7



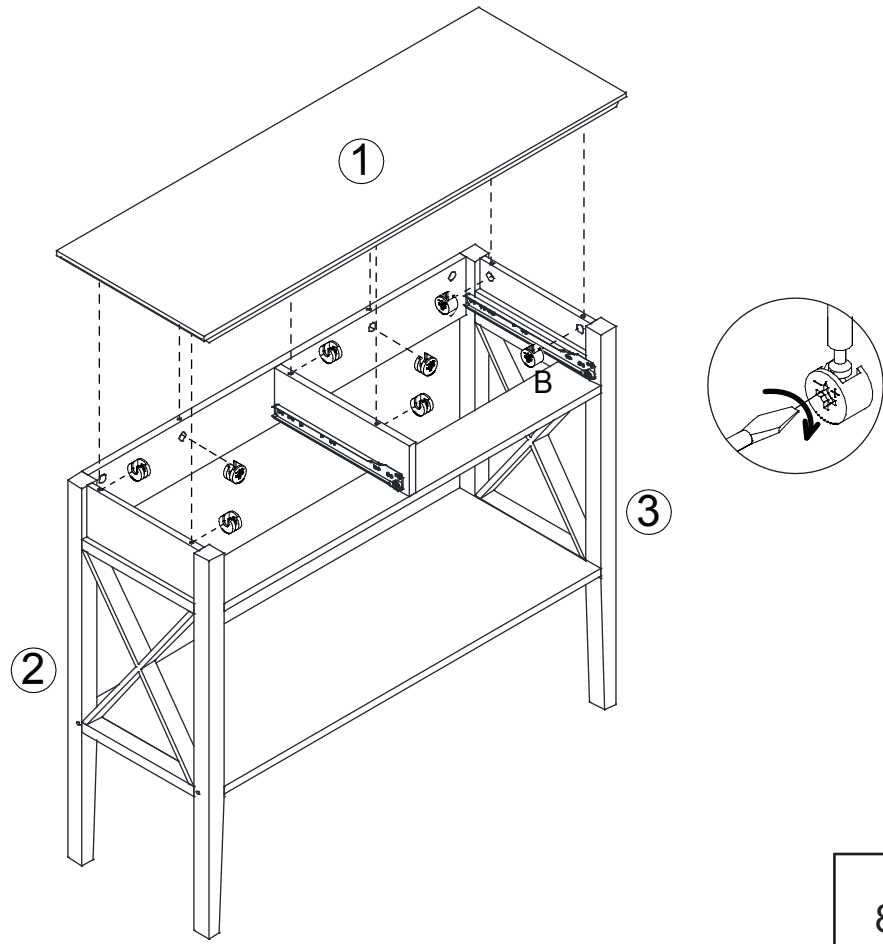
4xB	
2xI	
2xJ	

Step 8



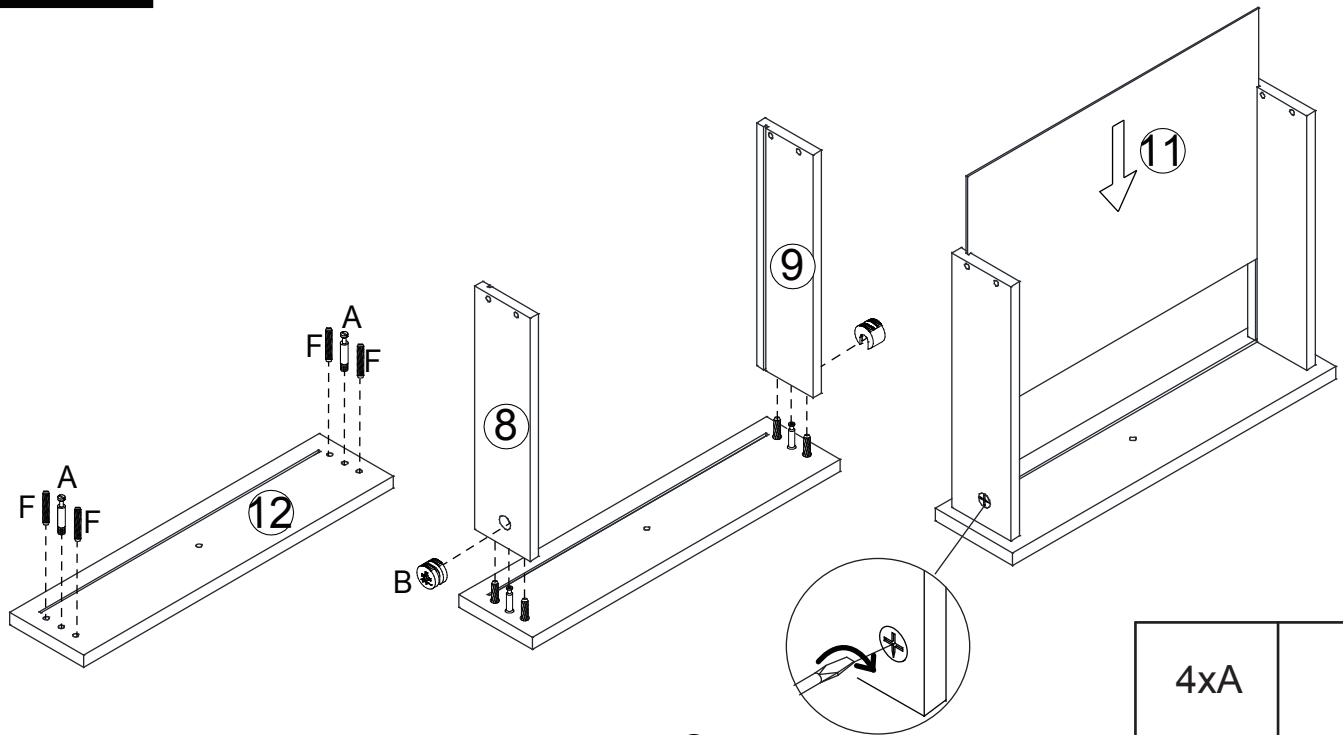
8xA	
-----	---

Step 9



8xB	
-----	--

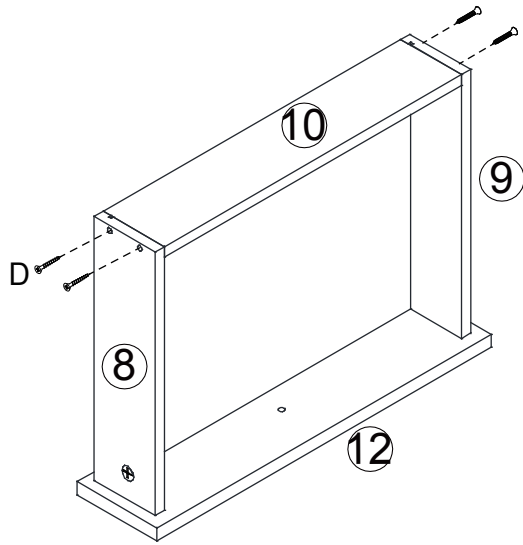
Step 10



x2

4xA	
4xB	
8xF	

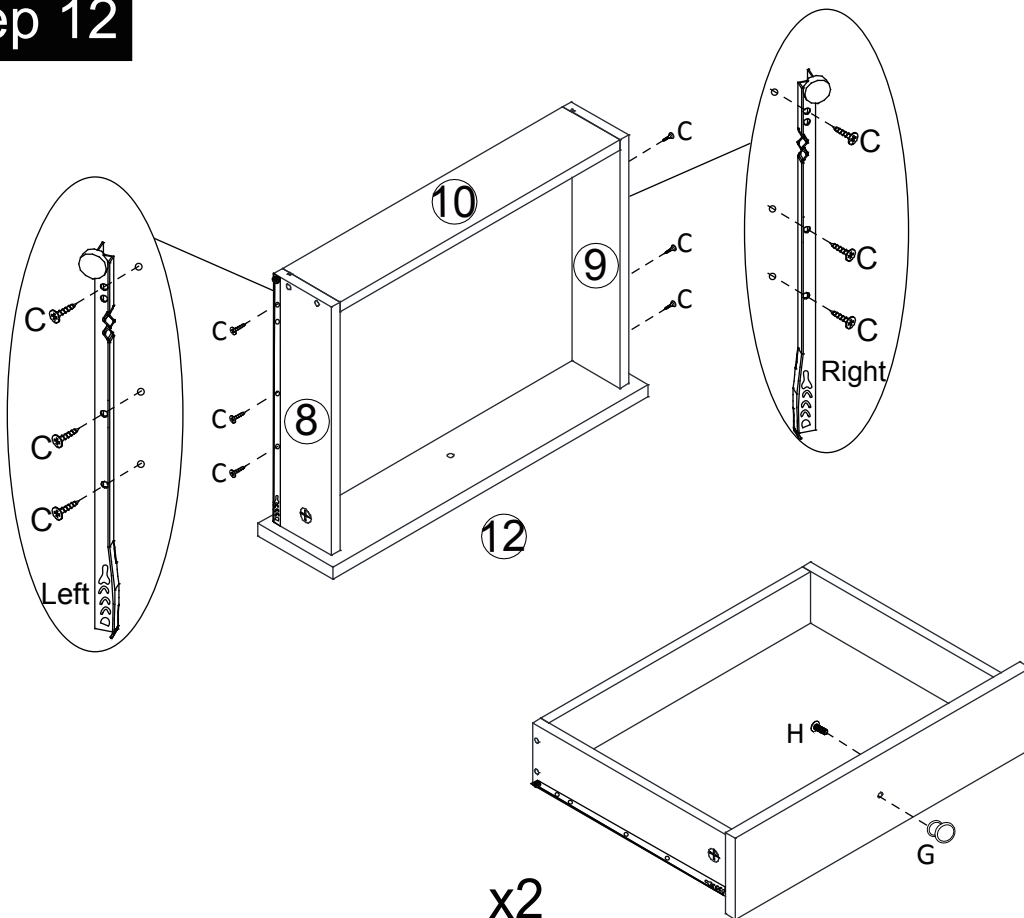
Step 11



x2

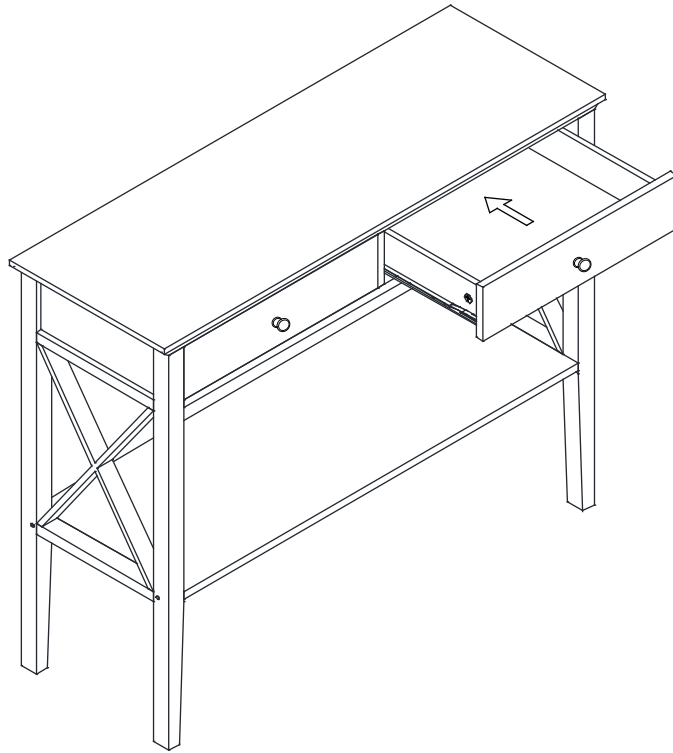
8xD	
-----	--

Step 12

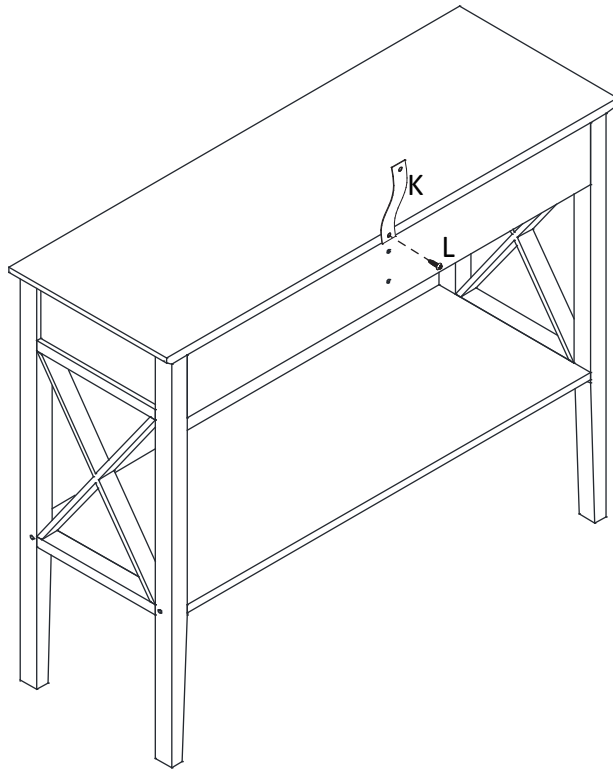




12xC	
Left	
Right	
2xG	
2xH	

Step 13

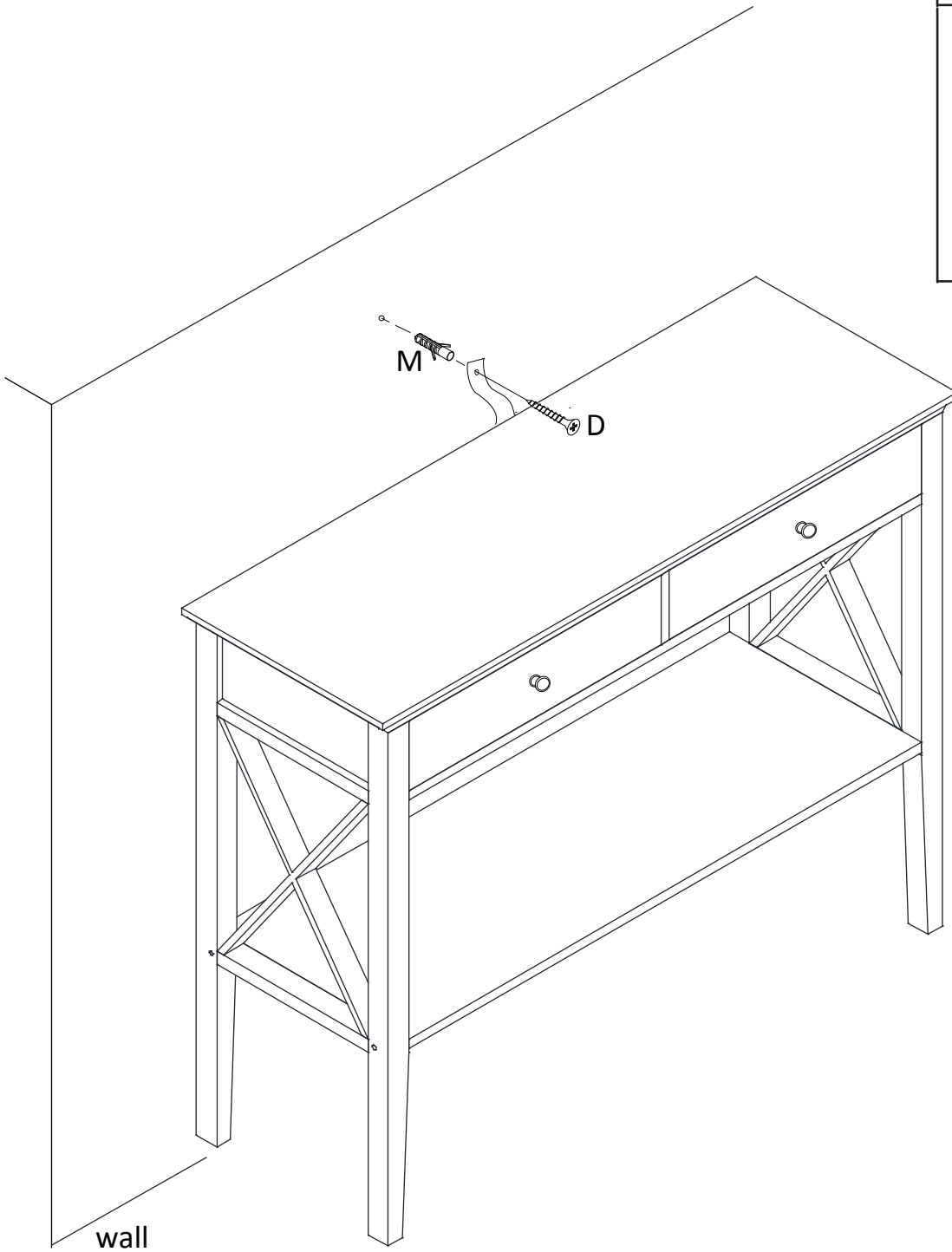
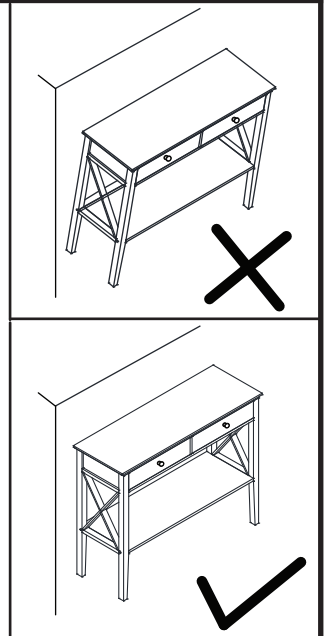



Step 14



1xK	
1xL	

Step 15



1xD	
1xM	