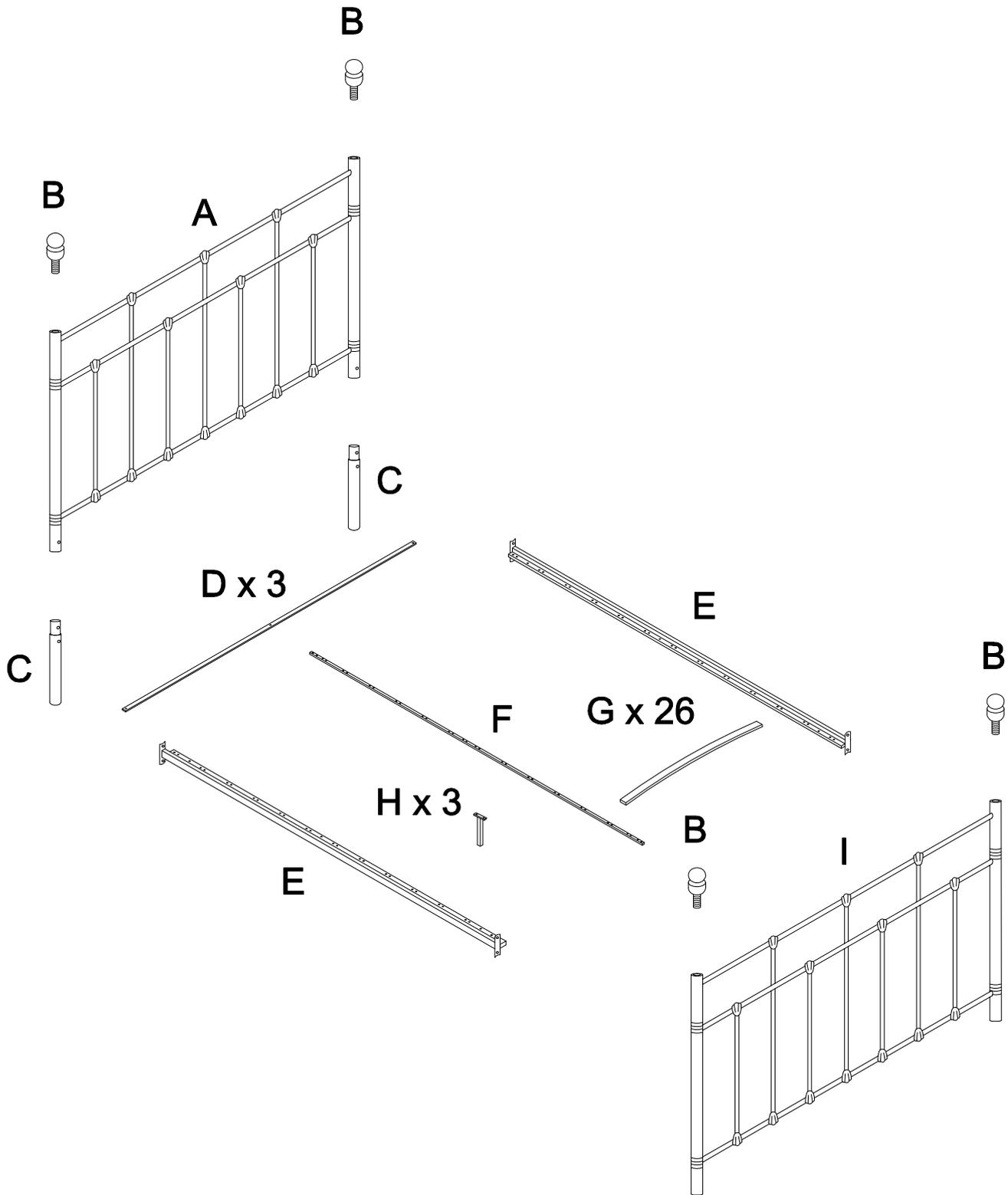
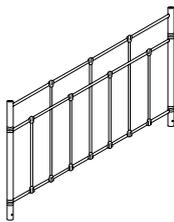


40'

2

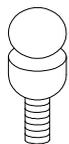


A



x 1

B



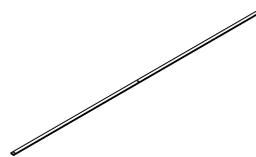
x 4

C



x 2

D



x 3

E



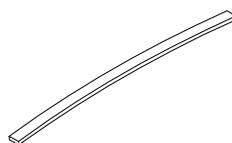
x 2

F



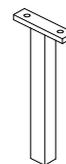
x 1

G



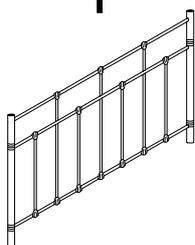
x 26

H



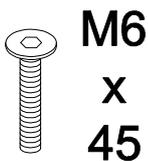
x 3

I



x 1

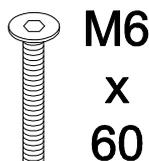
J



**M6
x
45**

x 3

K



**M6
x
60**

x 9

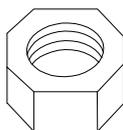
L



**M8
x
20**

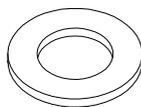
x 8

M



x 12

N



x 6

O



x 8

P



x 26

Q



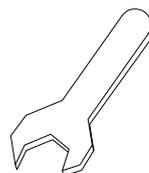
x 13

R



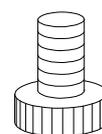
x 1

S



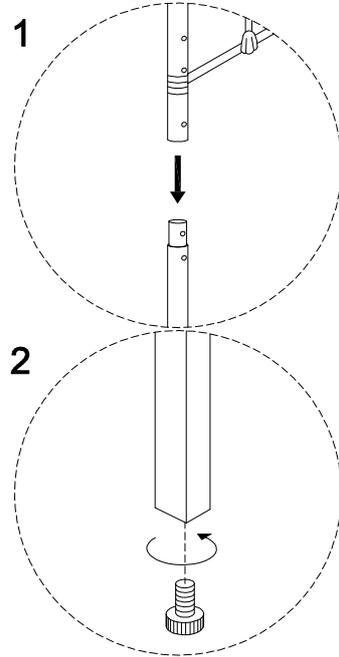
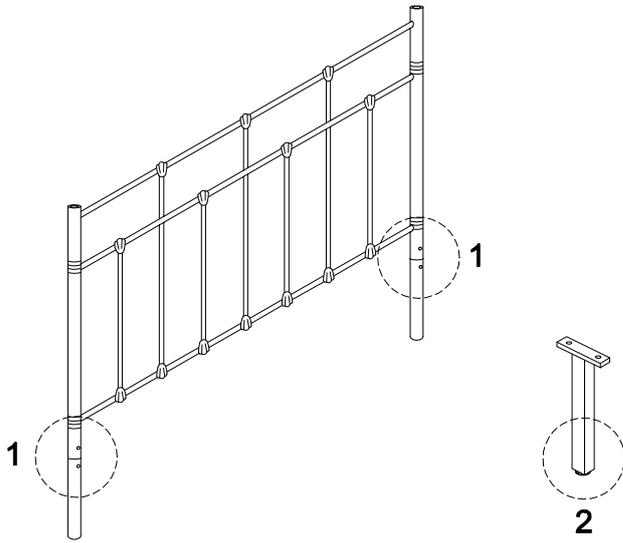
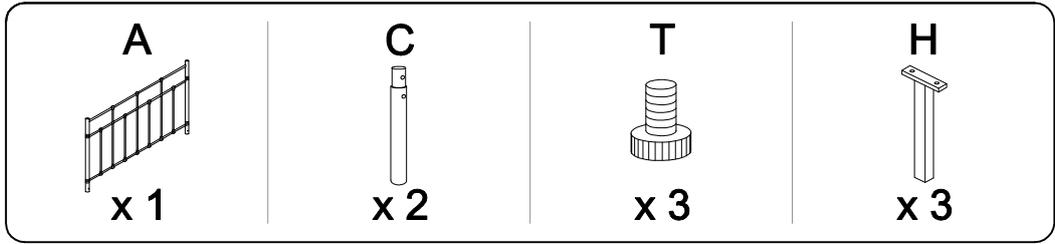
x 1

T

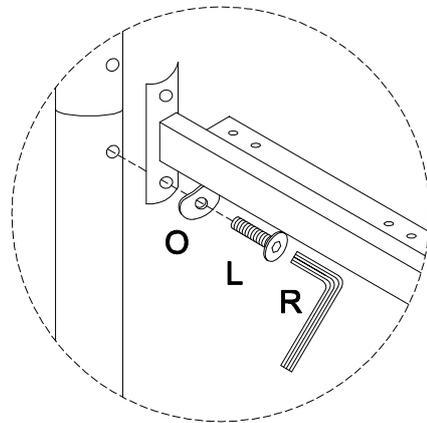
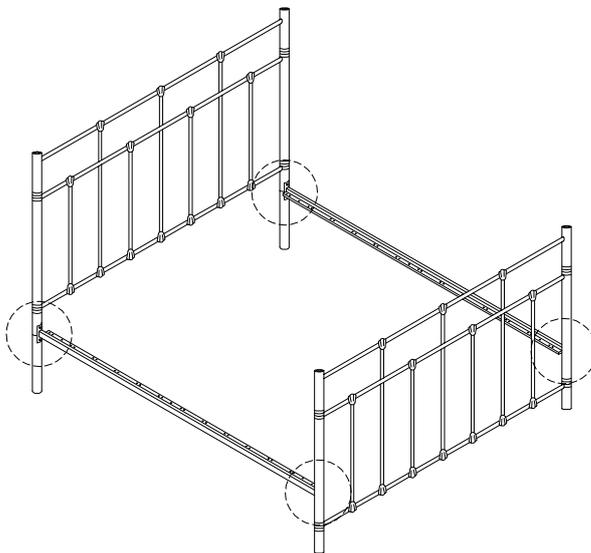
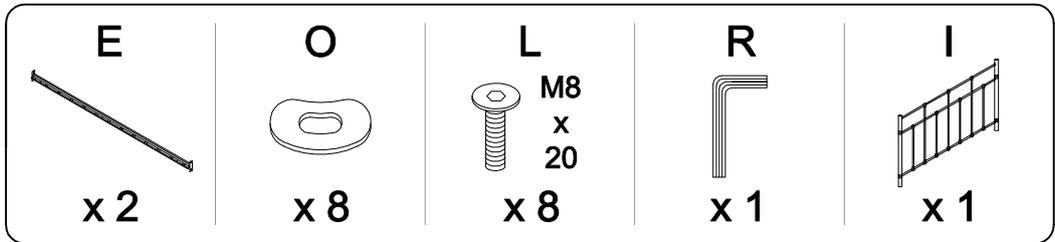


x 3

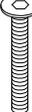
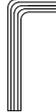
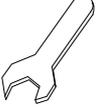
1

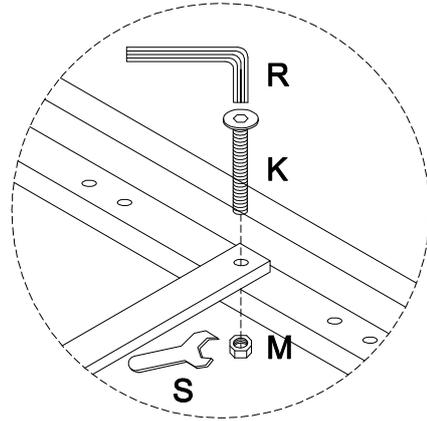
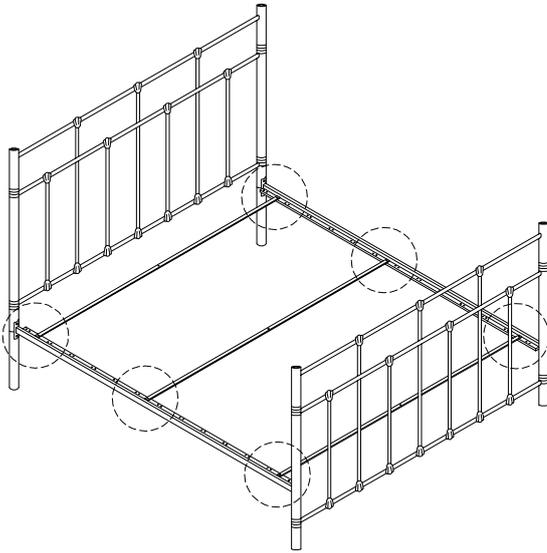


2

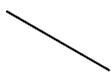
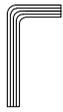


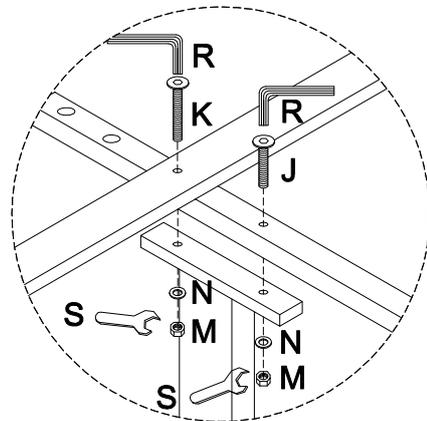
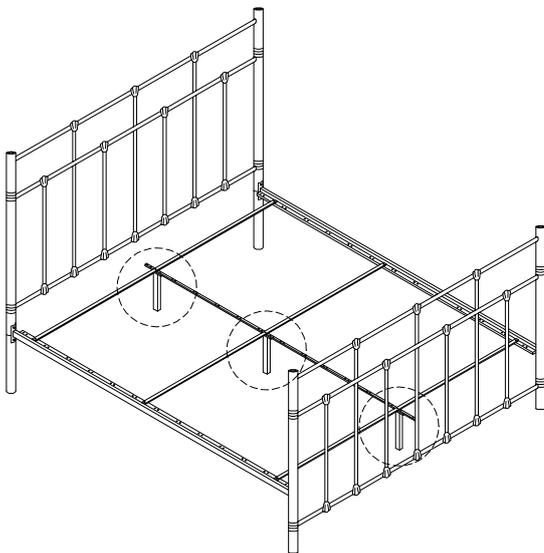
3

D  x 3	K  M6 x 60 x 6	M  x 6	R  x 1	S  x 1
--	--	--	--	--

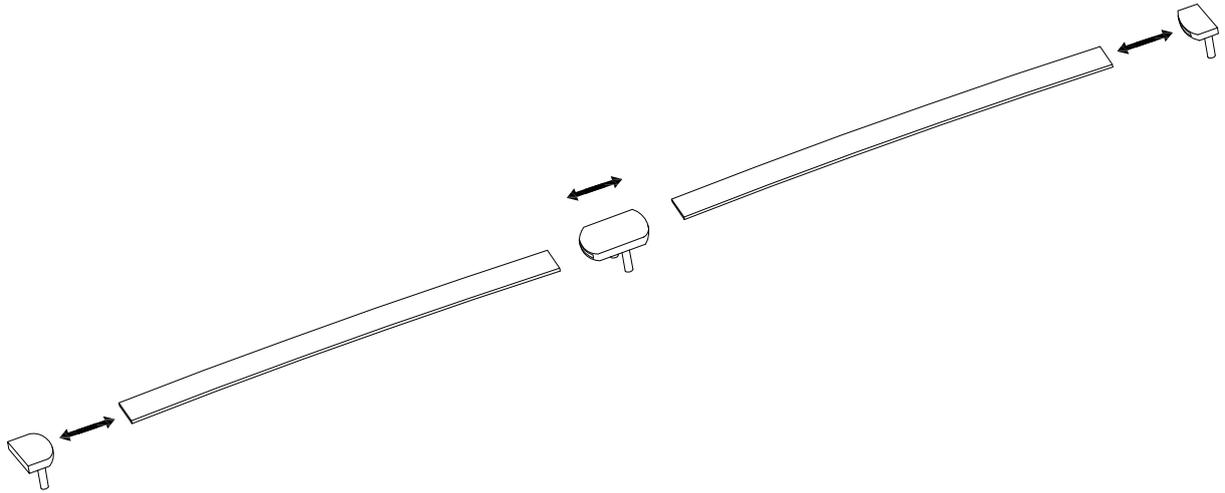
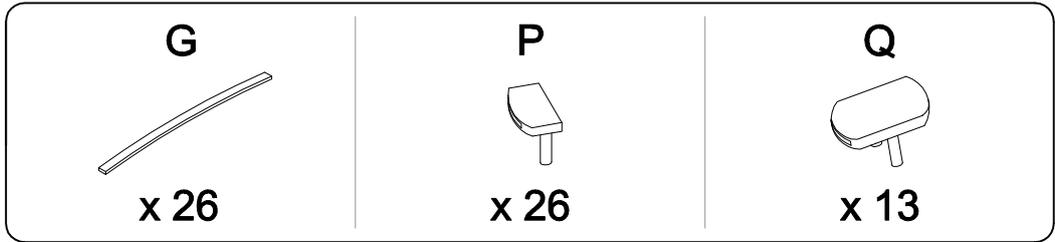


4

F  x 1	J  M6 x 45 x 3	K  M6 x 60 x 3	M  x 6	N  x 6	R  x 1	S  x 1
--	--	--	--	---	--	--



5



6

