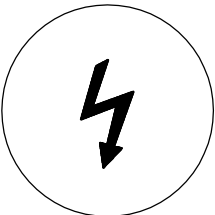

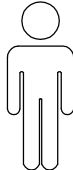
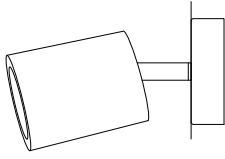

		<b>15'</b>
		
		<b>1</b>

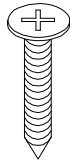
1/4

A



x 1

B



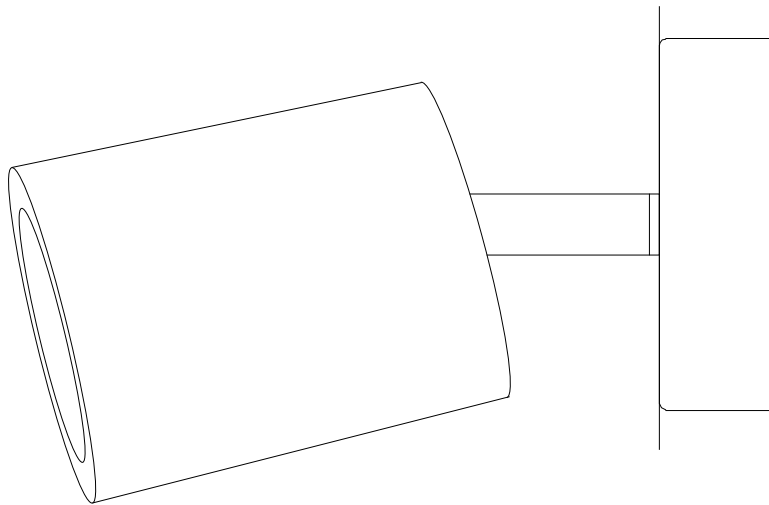
x 2

C

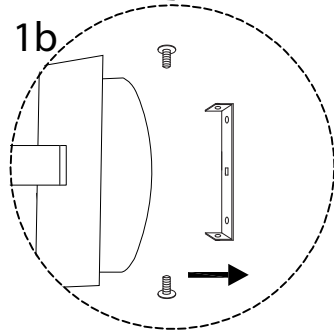
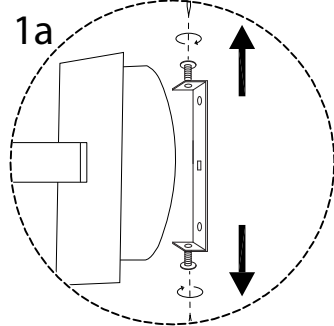
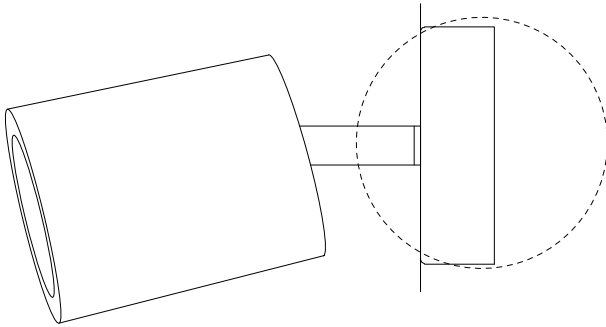
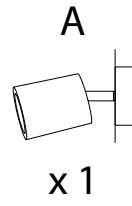


x 2

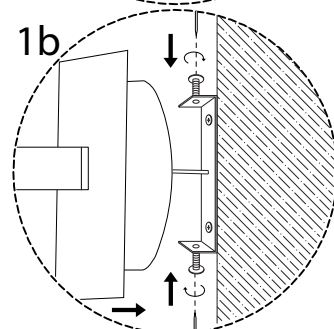
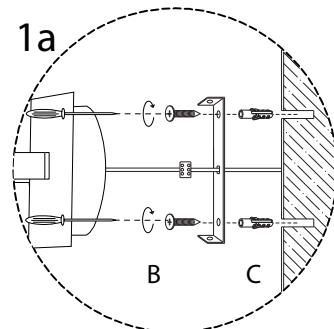
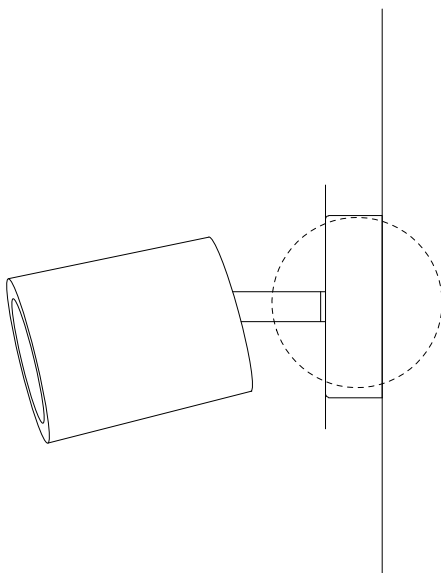
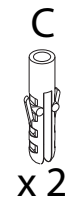
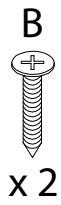
A



1



2



3

