







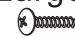


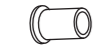

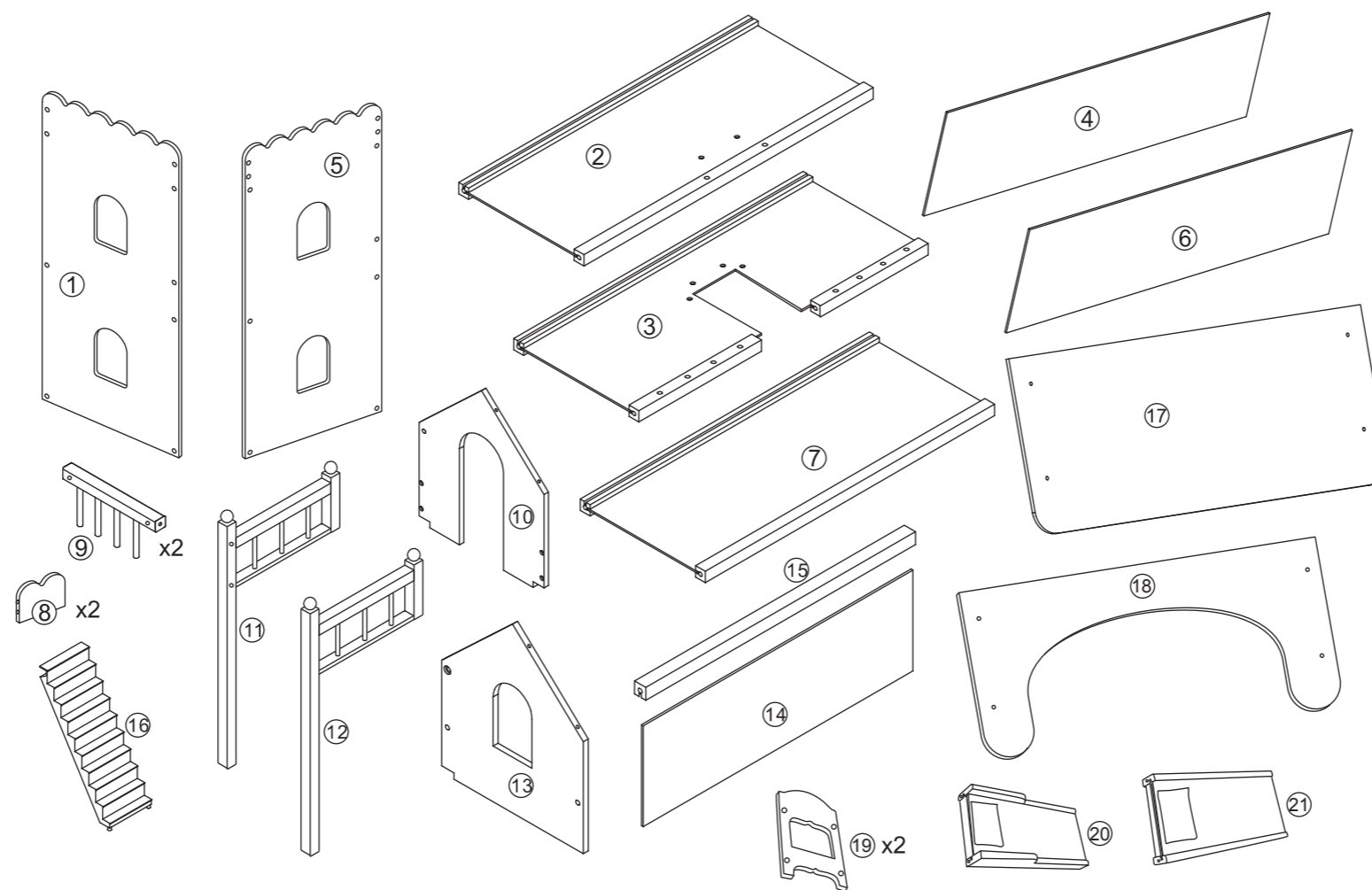


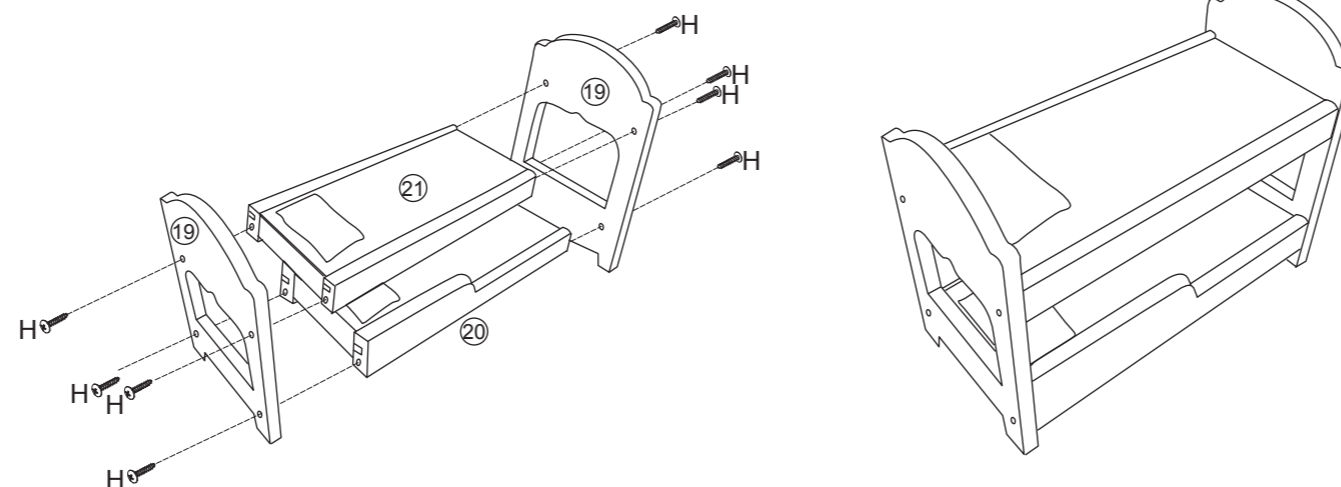
Parts List

- A. Yellow Cross Dowel Bolt x 12

 - B. Cross Dowel Nut x 20

 - C. Cross Dowel Bolt x 4

 - D. Yellow Cross Dowel Bolt x 4

 - E. Large Head Screw x 2

 - F. Yellow Large Head Screw x 4

 - G. Rose Red Large Head Screw x 4

 - H. White Large Head Screw x 8

 - I. Large Head Screw x 4

 - J. Pink Large Head Screw x 8

 - K. Yellow Cross Dowel Bolt x2

 - L. Rose Red Insert Bolt x 2

- Allen wrench x 1


The following tool (not included) is required for assembly:
Phillips screwdriver



Bed Assembly



WARNING !

Not suitable for children under 3 years due to small parts.
CHOKING HAZARD !
Hardware contains small screws with sharp points.
Children shall not climb or pull on the doll house .

CAUTION !

Adult assembly required.
Regularly check the screws are tight.
Wipe clean with a damp cloth.
Keep this information for future reference.



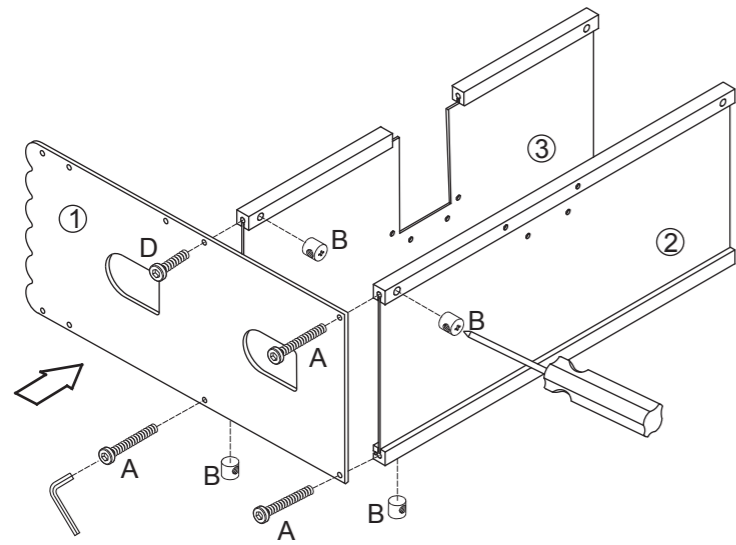
Made in china



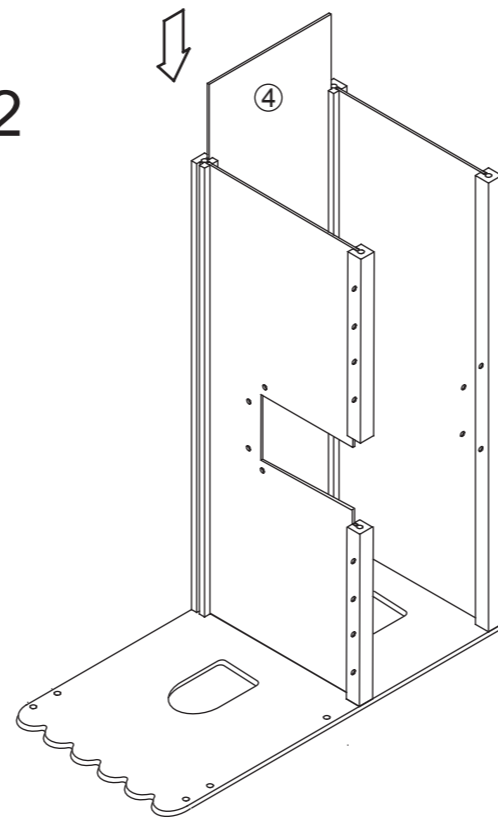
bopster.eu

Doll House Assembly

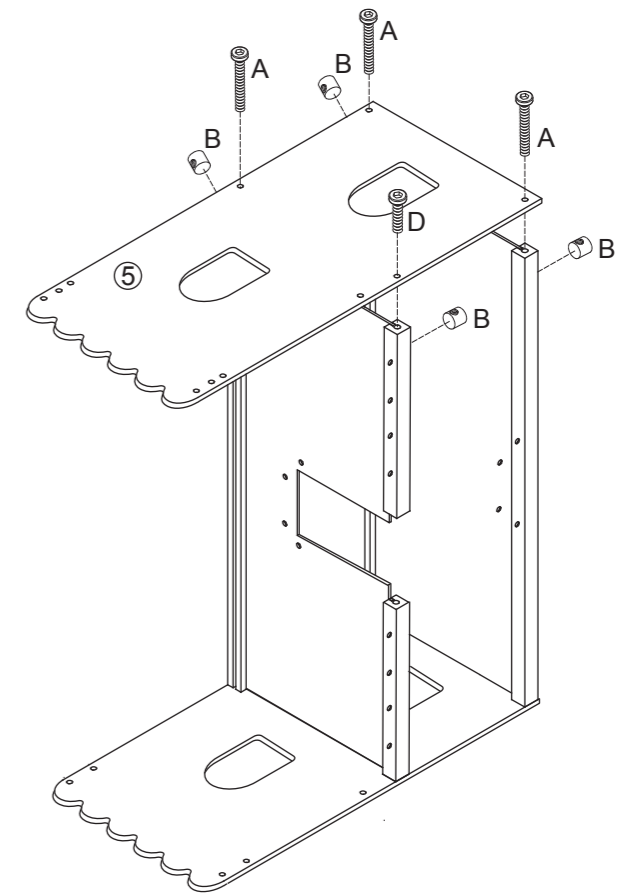
Step 1



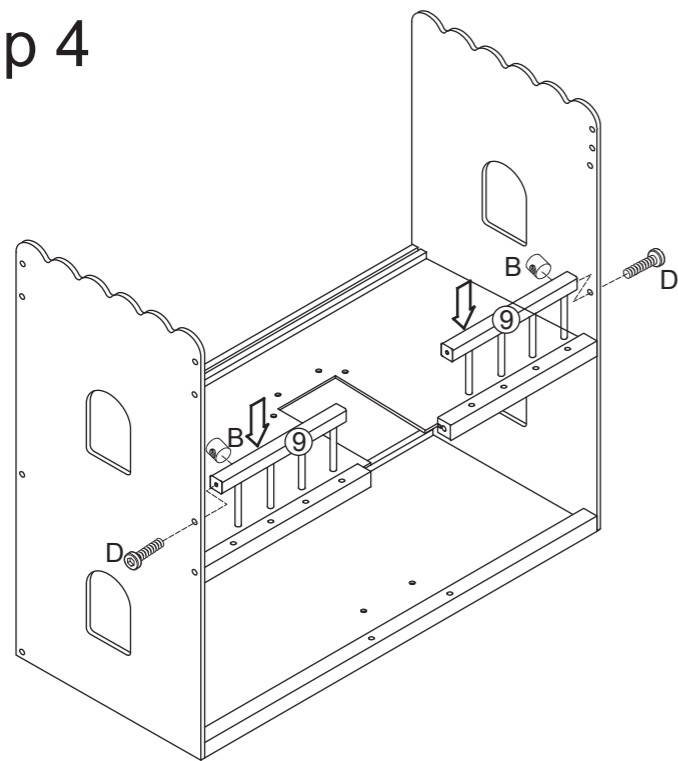
Step 2



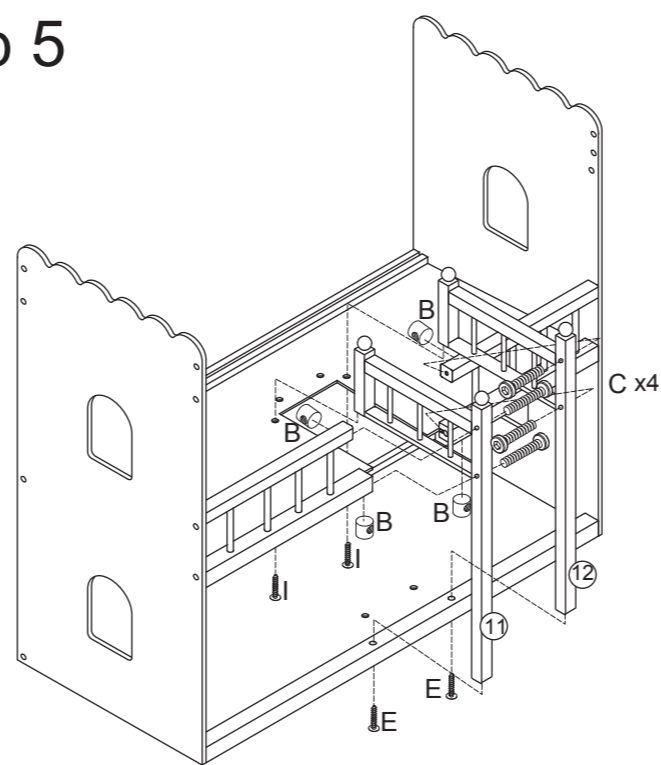
Step 3



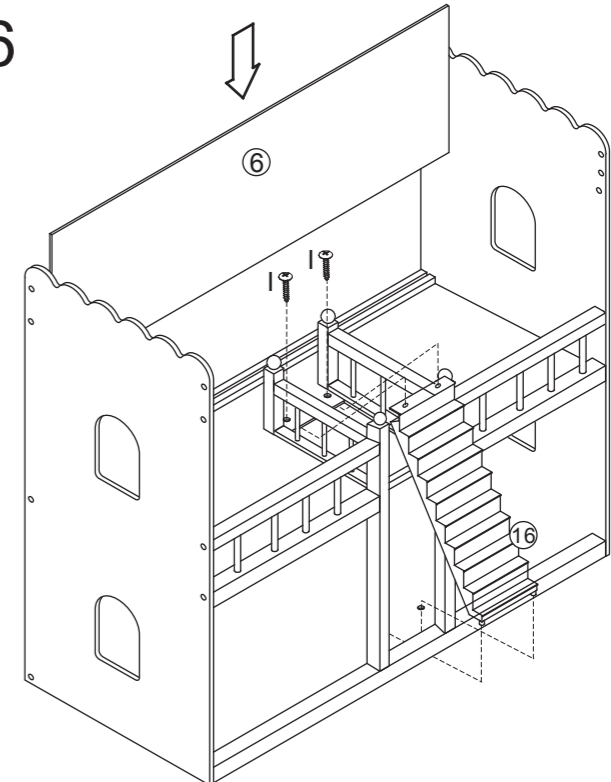
Step 4



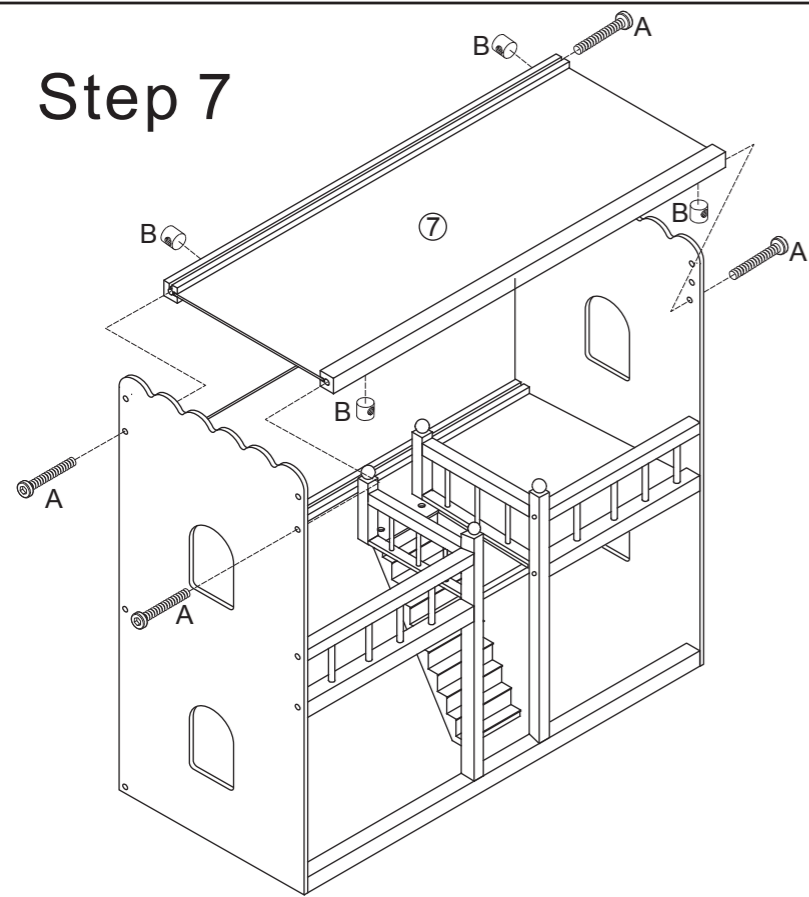
Step 5



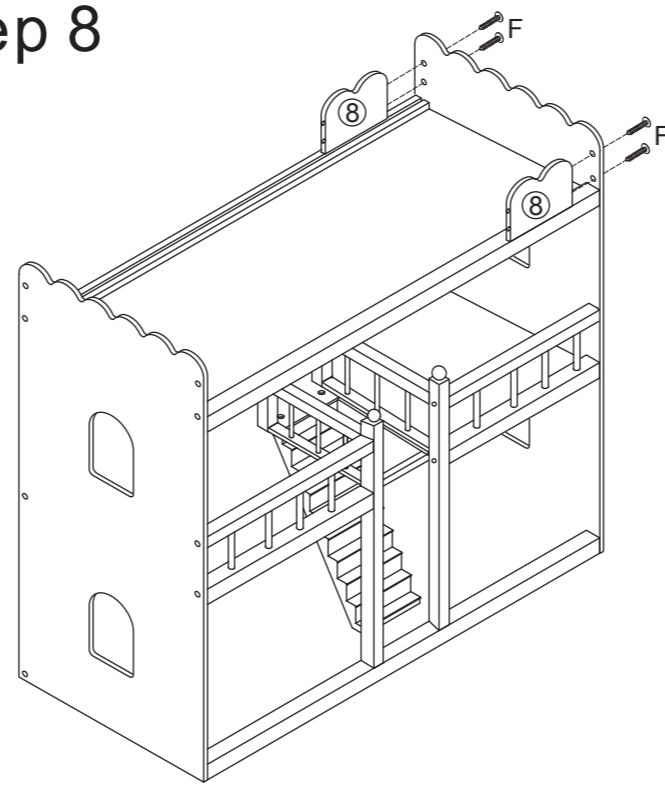
Step 6



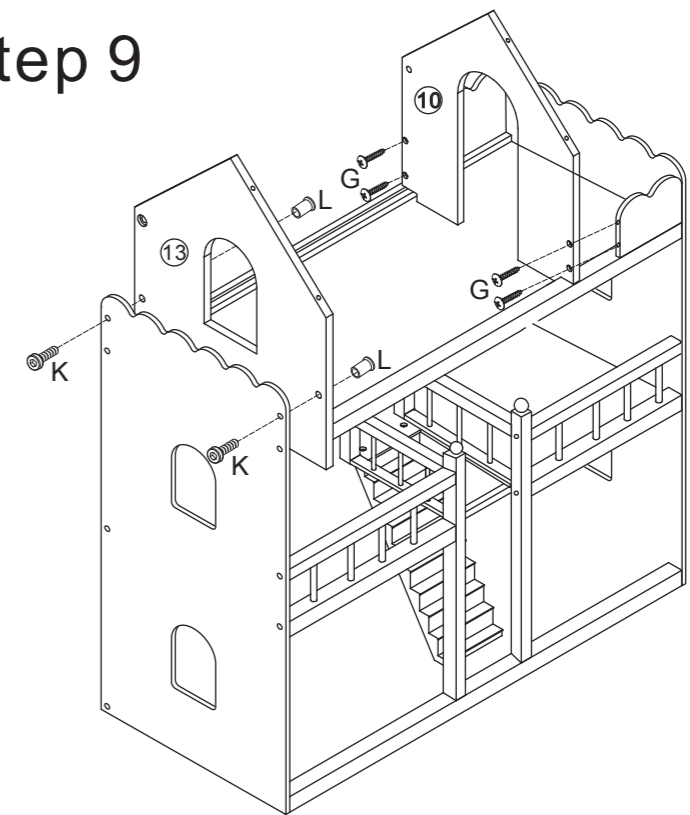
Step 7



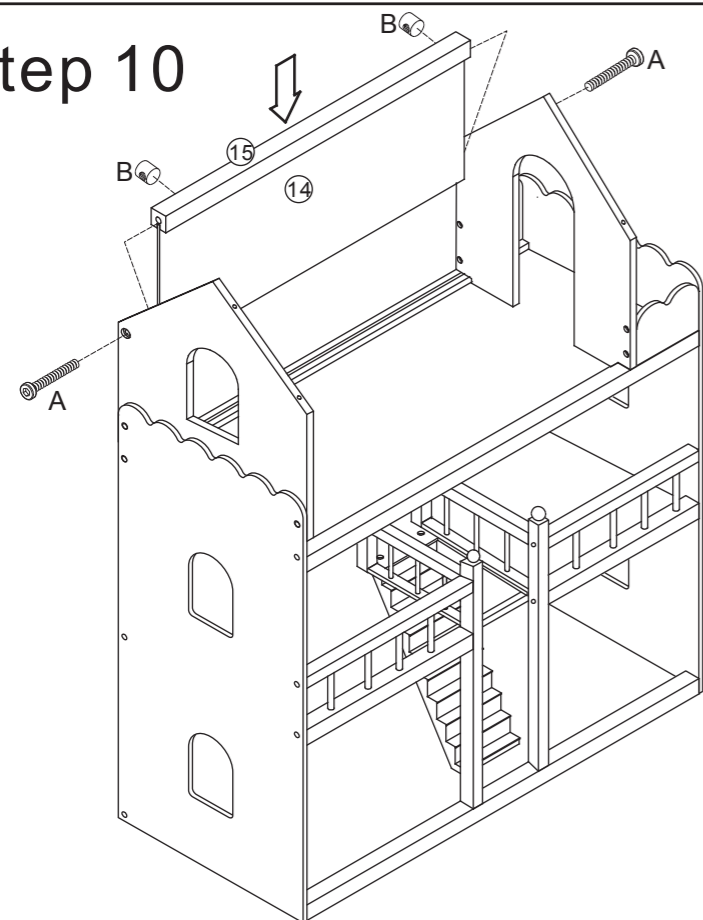
Step 8



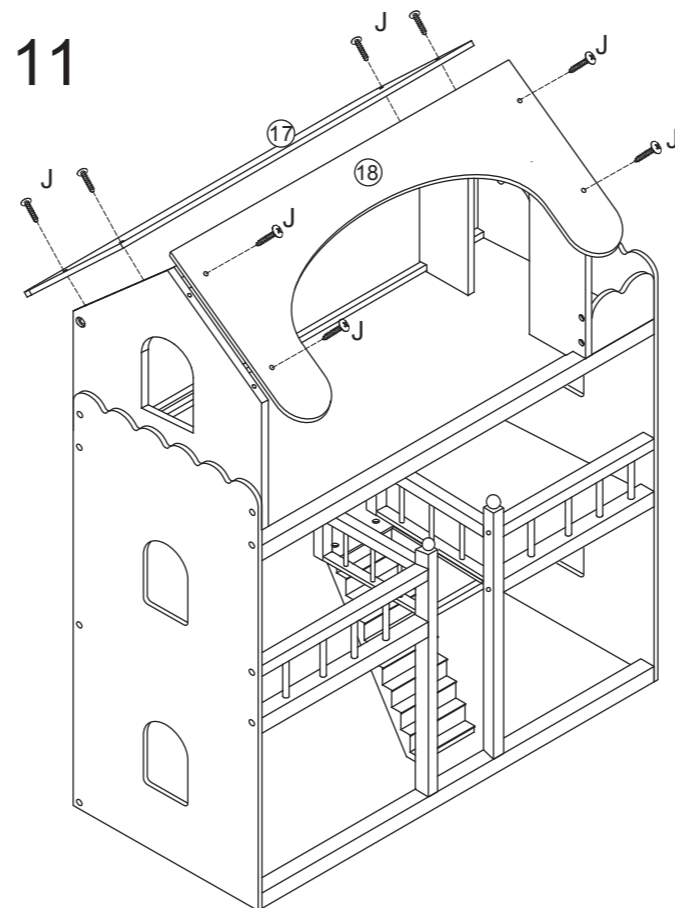
Step 9



Step 10



Step 11



Step 12

