





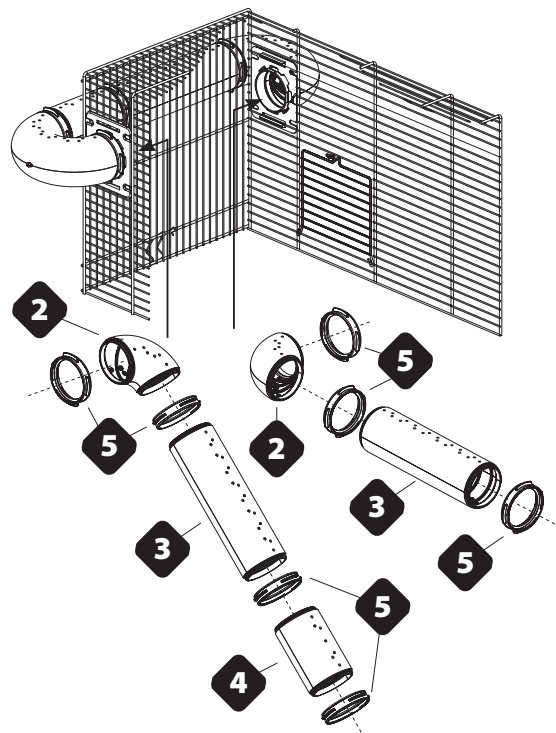
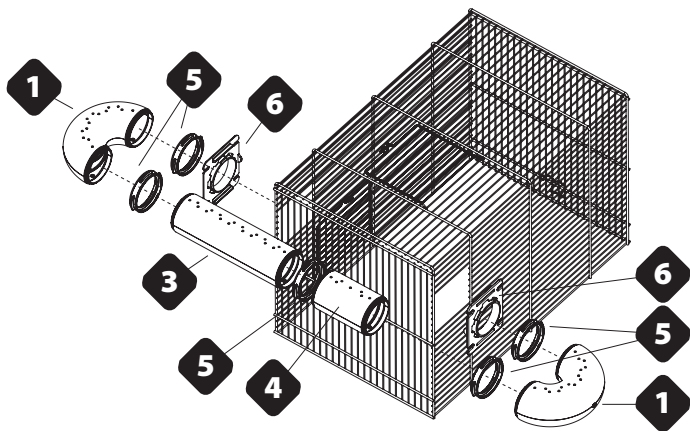


A

- | | |
|--|---|
| 1  x2 | 2  x2 |
| 3  x3 | 4  x2 |
| 5  x12 | 6  x2 |



B

