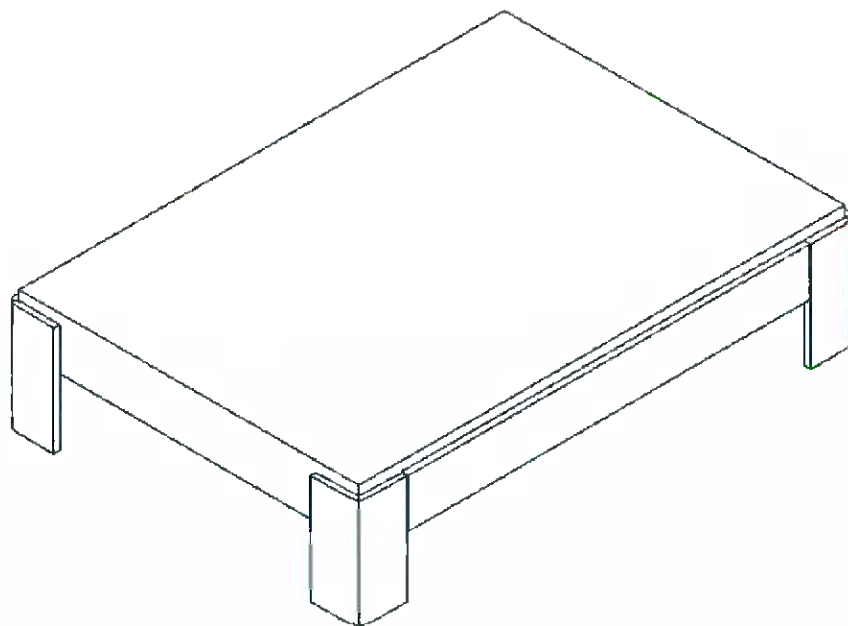


# Bed Fresh Montage Handleiding

030414



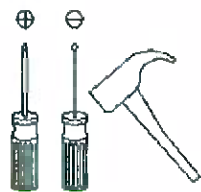
Qty of boxes 4X 




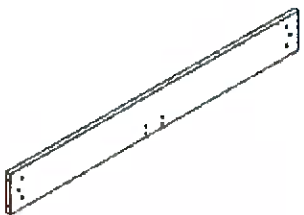
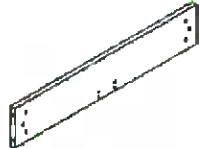




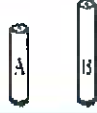




2X



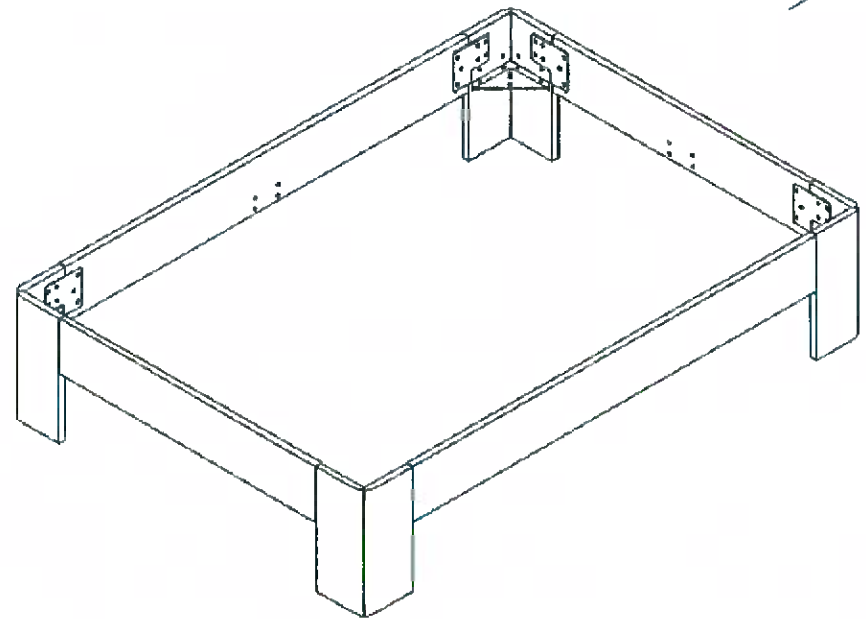
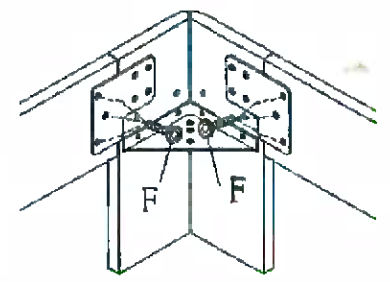
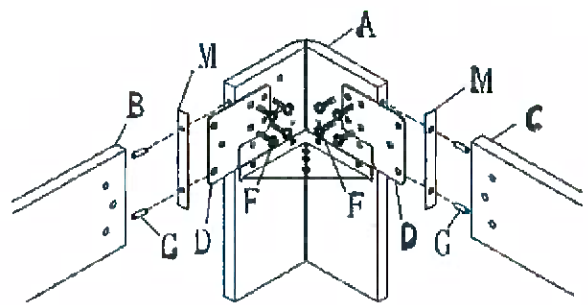
21 min



Tools

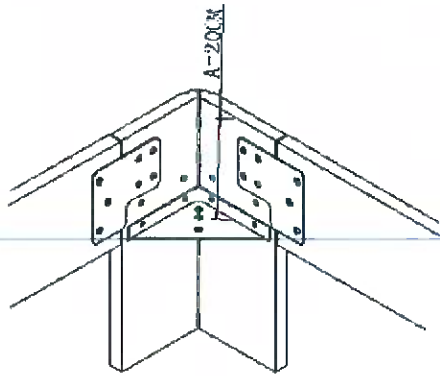
<b>A x4</b> 	<b>B x2</b> 		<b>C x2</b> 	<b>D x8</b> 
<b>E x2</b> 	<b>F x60</b>  M8x20	<b>G x16</b> 	<b>K x2</b>  x2    x2	<b>N x2</b>  M8x20
<b>L x2</b> 	<b>M x8</b> 	<b>P x1</b> 		

Step 1

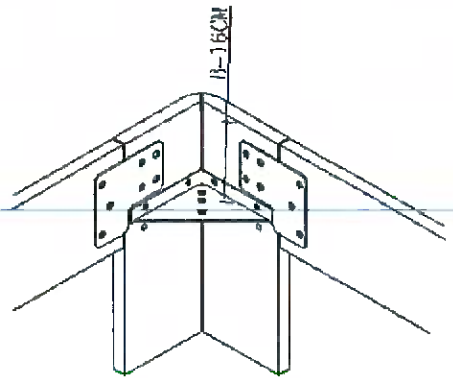


## Step 2

Variant A Lage Positie



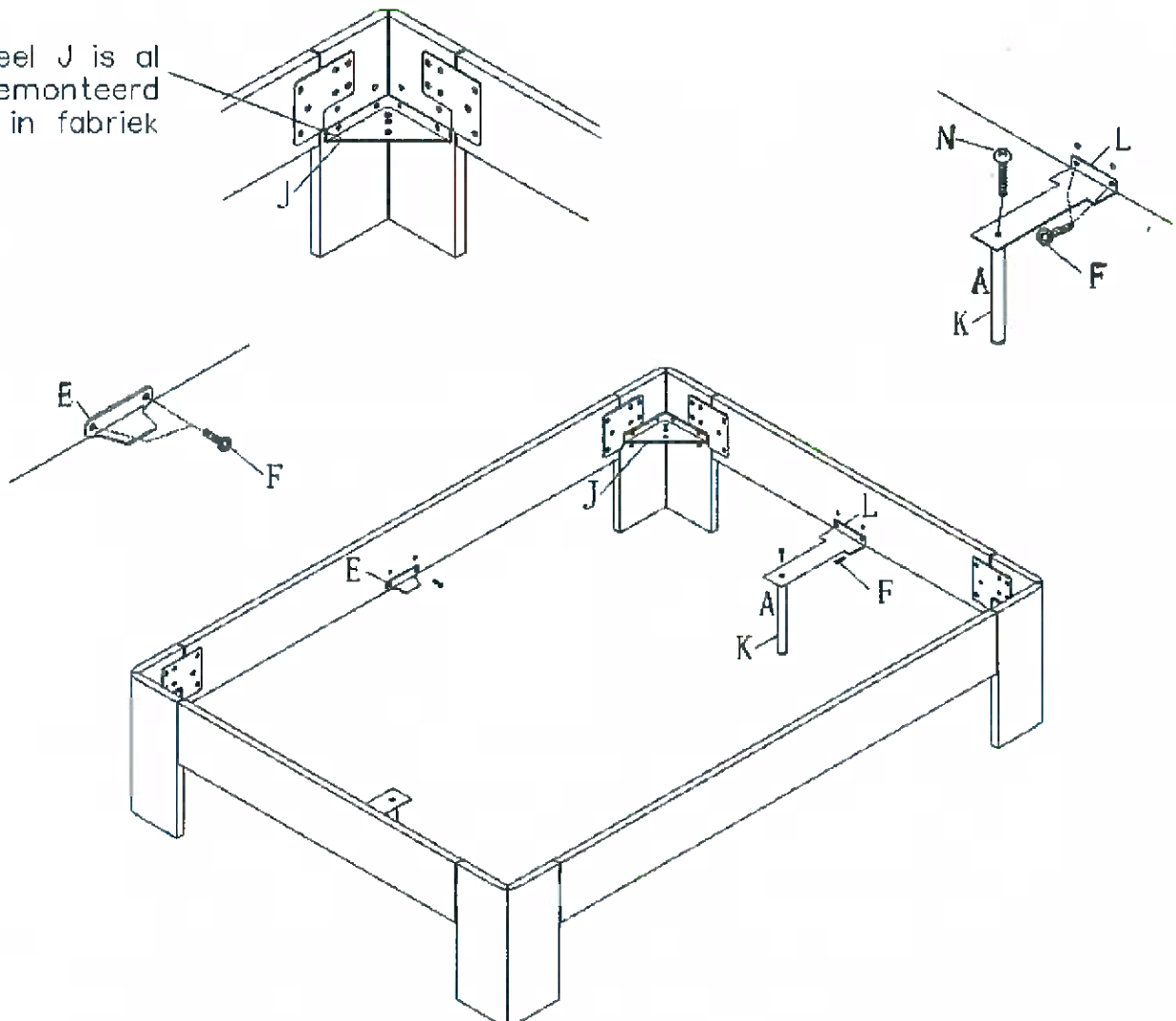
Variant B Hoge Positie



## Step 3

Variant A

Onderdeel J is al voorgemonteerd in fabriek



# Step 4

## Variant B

