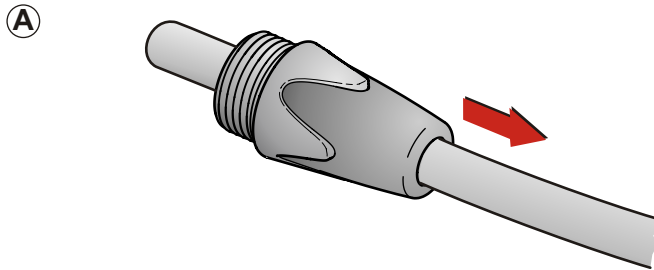




# ASSEMBLY INSTRUCTION

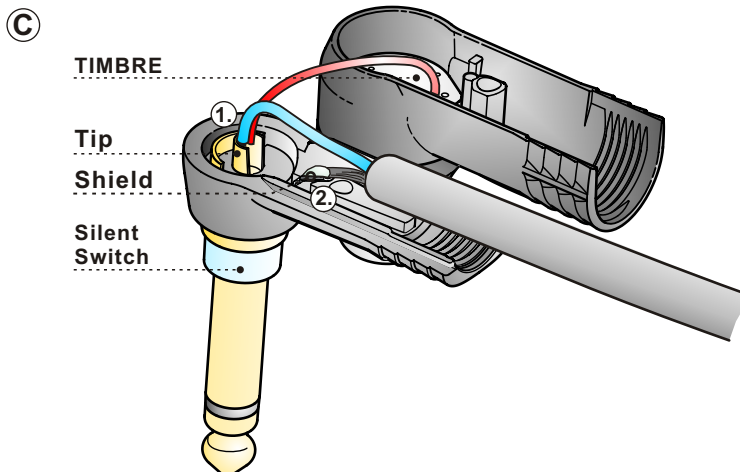
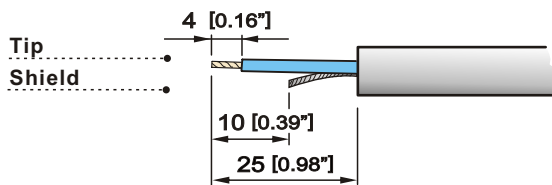
## NP2RX-ULTIMATE | 1/4" Guitar - ultimatePLUG



Slide the boot onto the cable.

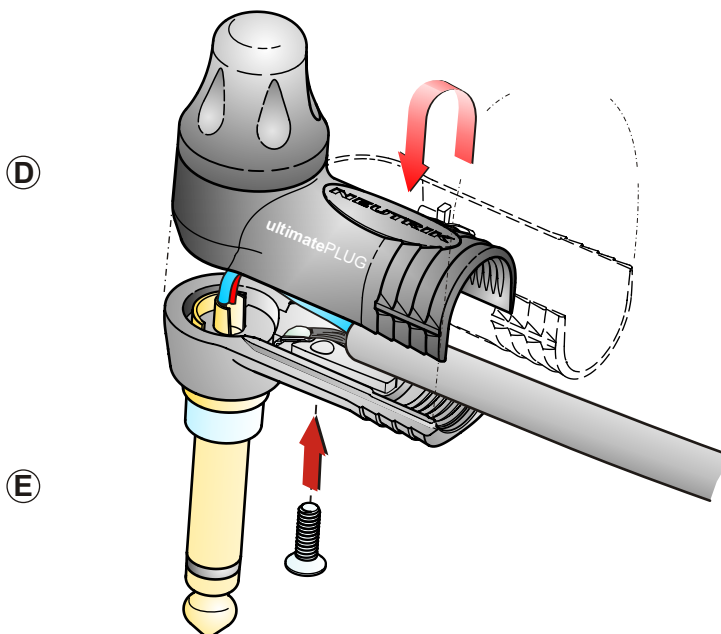
**B** Cable O.D. 4.0 - 7.0 mm [0.16 - 0.27"]

Prepare cable as shown.

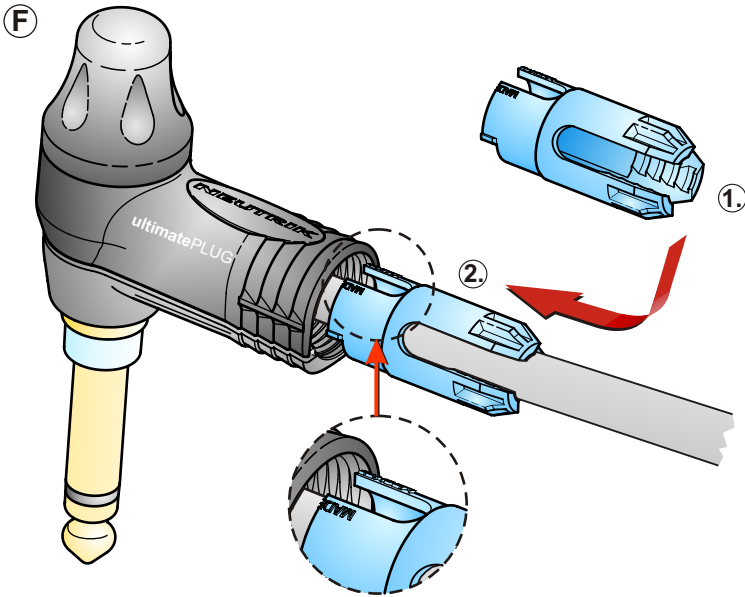


Position the red cover next to the shell:

- 1 Solder the red cable (TIMBRE) combined with the hot wire to the TIP lug.
- 2 Solder the SHIELD to the ground lug.

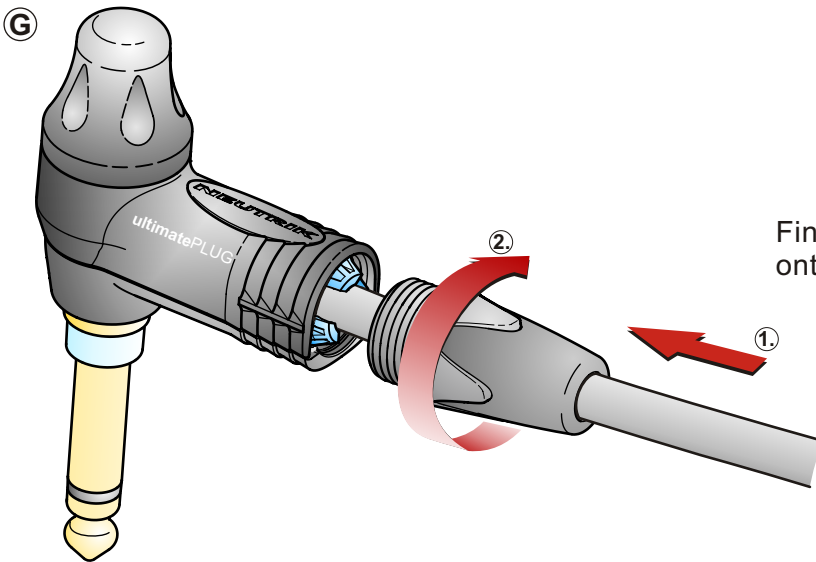


Position the cover on the shell (D) and fix it with with a screw driver (Pozidrive® #1) the screw (E).

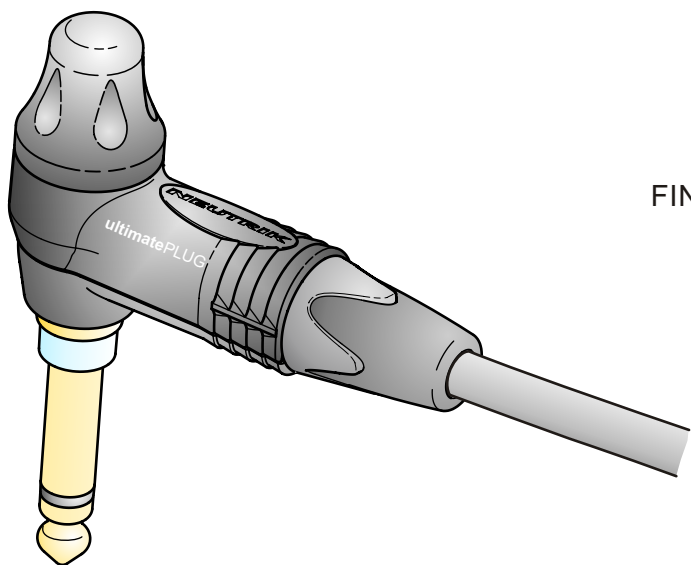


Position the chuck on to the cable and move it into the housing.

Attention: Pay attention to the guiding key of the chuck.



Finish the installation by tighten the bushing onto the connector.



FINISH

NEUTRIK AG	LI	T: +423 / 237 24 24	F: +423/232 53 93	NEUTRIK France	FR	T: +33 1/4131 6750	F: +33 1/4131 0511
NEUTRIK USA Inc.	USA	T: +1 704 / 972 3050	F: +1 704/438 9202	NEUTRIK Tokyo Ltd.	JP	T: +81 3/3663 4733	F: +81 3/3663 4796
NEUTRIK (UK) Ltd.	UK	T: +44 1983 / 811 441	F: +44 1983/811 439	NEUTRIK Hong Kong Ltd.	HK	T: +852/2687 6055	F: +852/2687 6052
NEUTRIK Vertriebs GmbH	DE/NL/AT/DK	T: +49 8131 / 280 890	F: +49 8131/280 830	NEUTRIK India Pvt. Ltd.	IND	T: +91/982 05 43 424	F: +91/22 26163 540