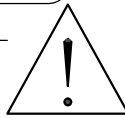
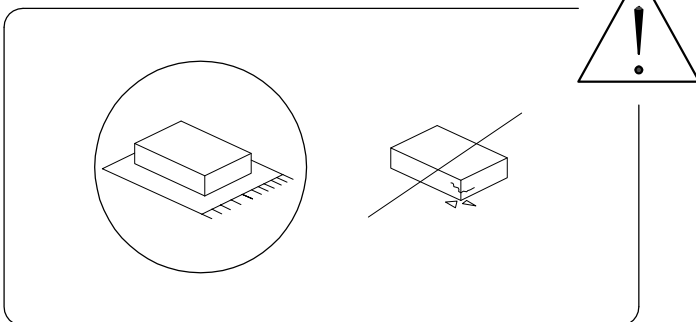
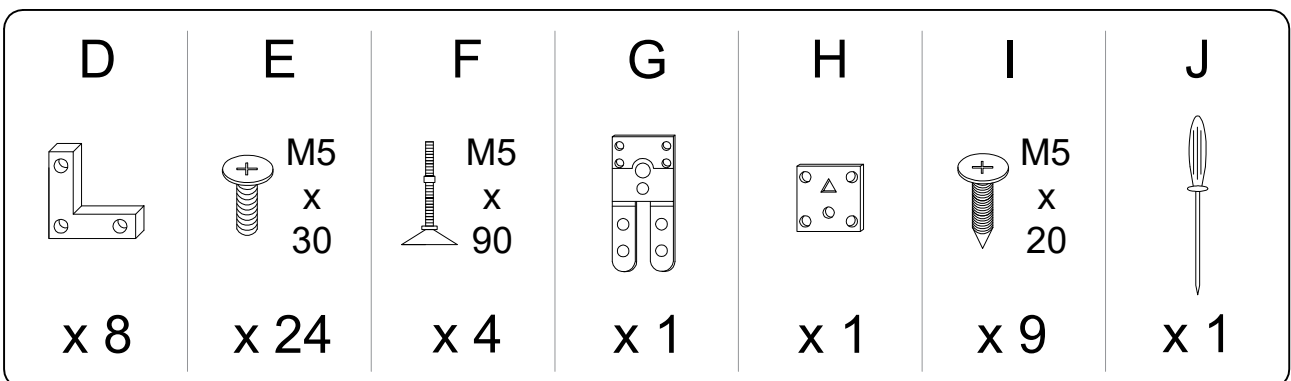
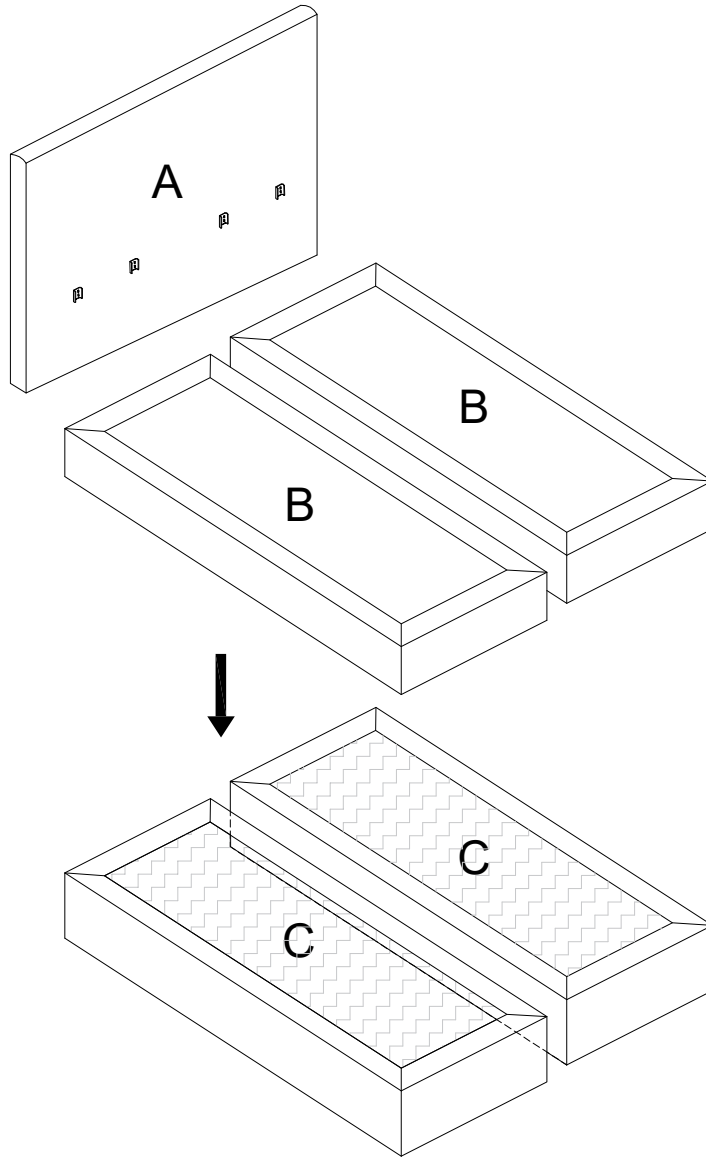
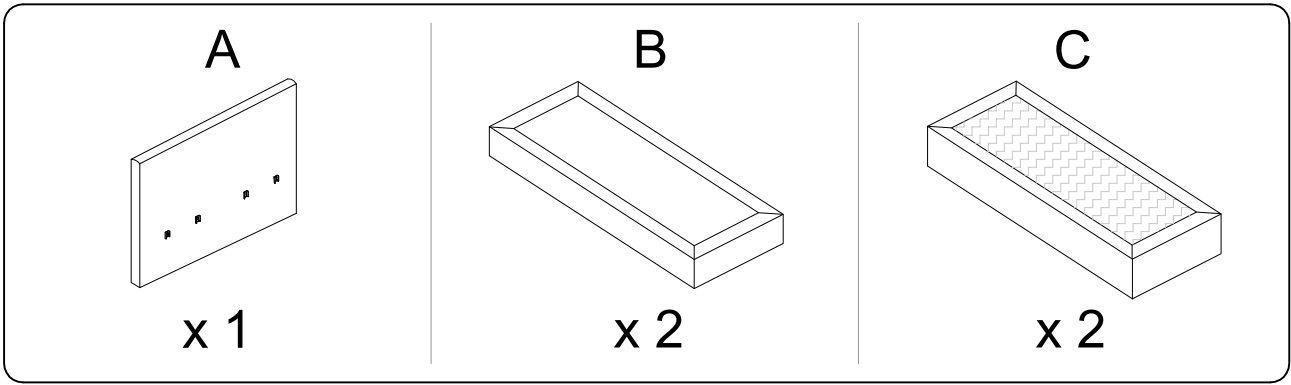


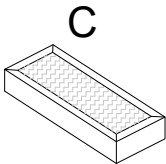
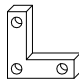
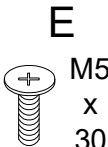

45'

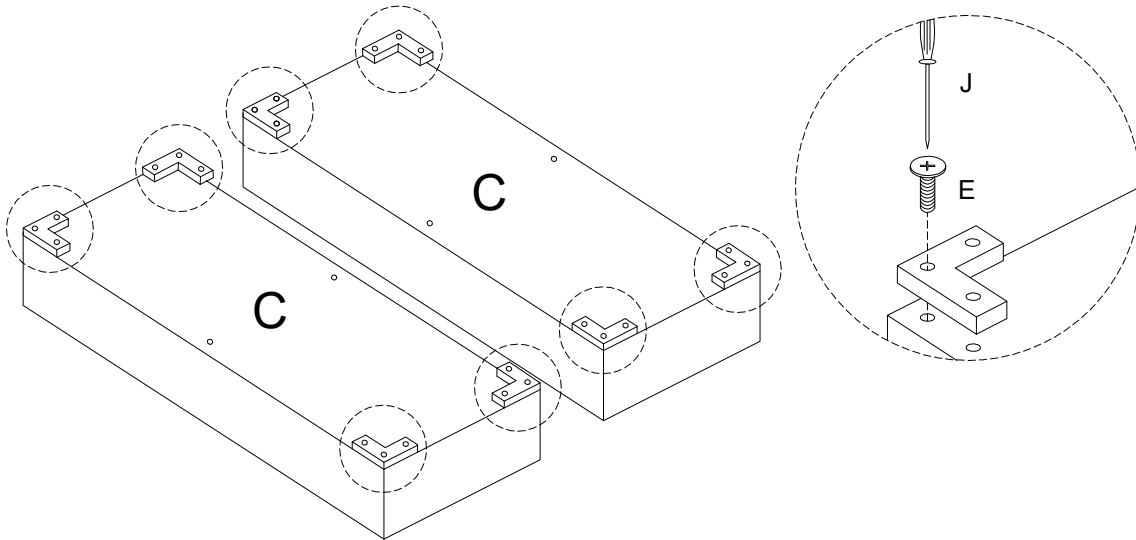


2

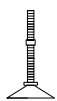


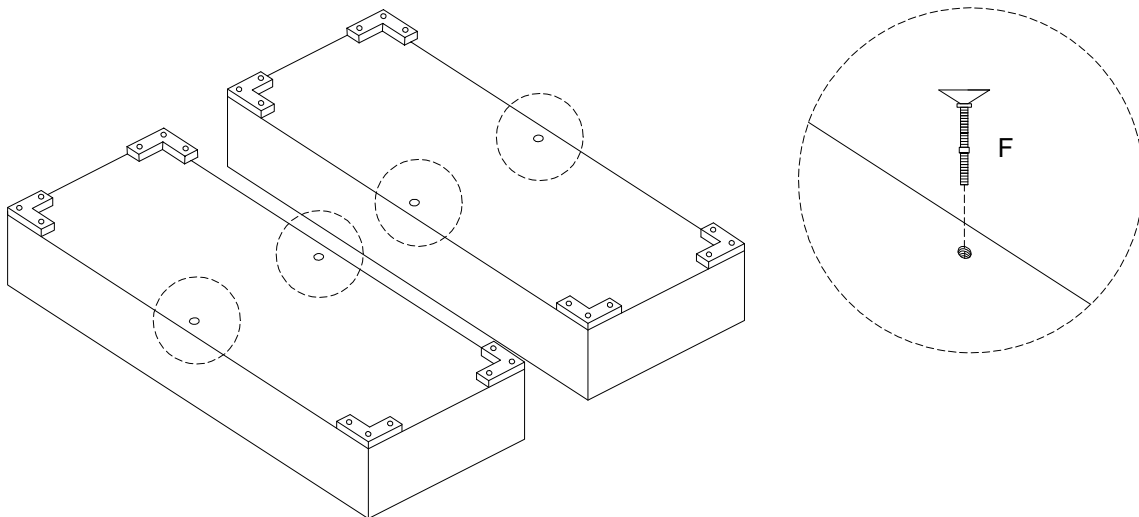
1

 <p>C x 2</p>	 <p>D x 8</p>	 <p>E M5 x 30 x 24</p>	 <p>J x 1</p>
---	---	---	---

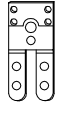
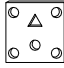
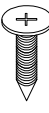



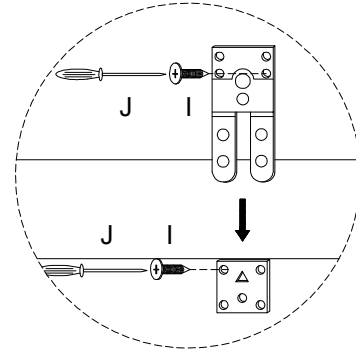
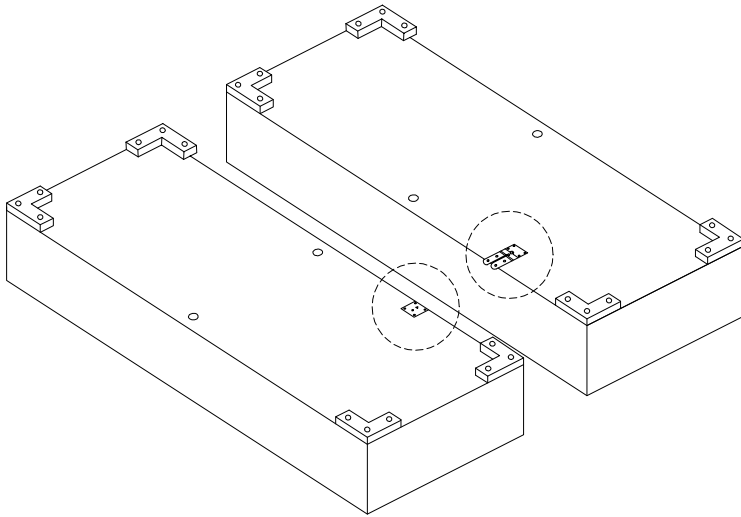
2

 <p>F M5 x 90 x 4</p>

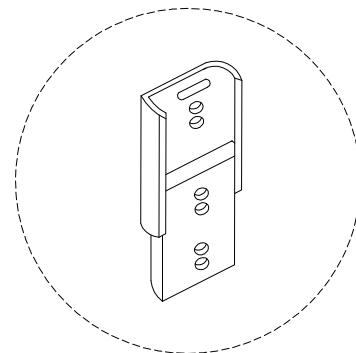
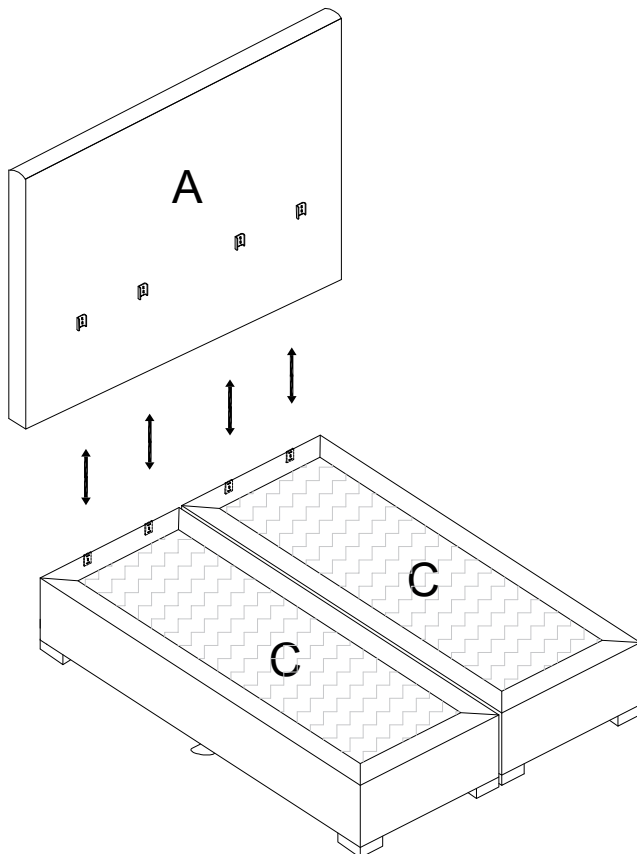


3

G  x 1	H  x 1	I  M5 x 20 x 9	J  x 1
--	--	--	--



4



5

