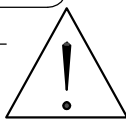
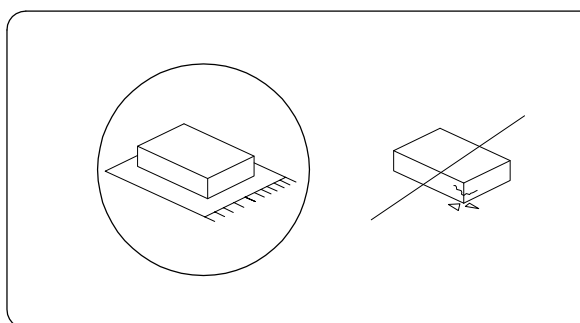
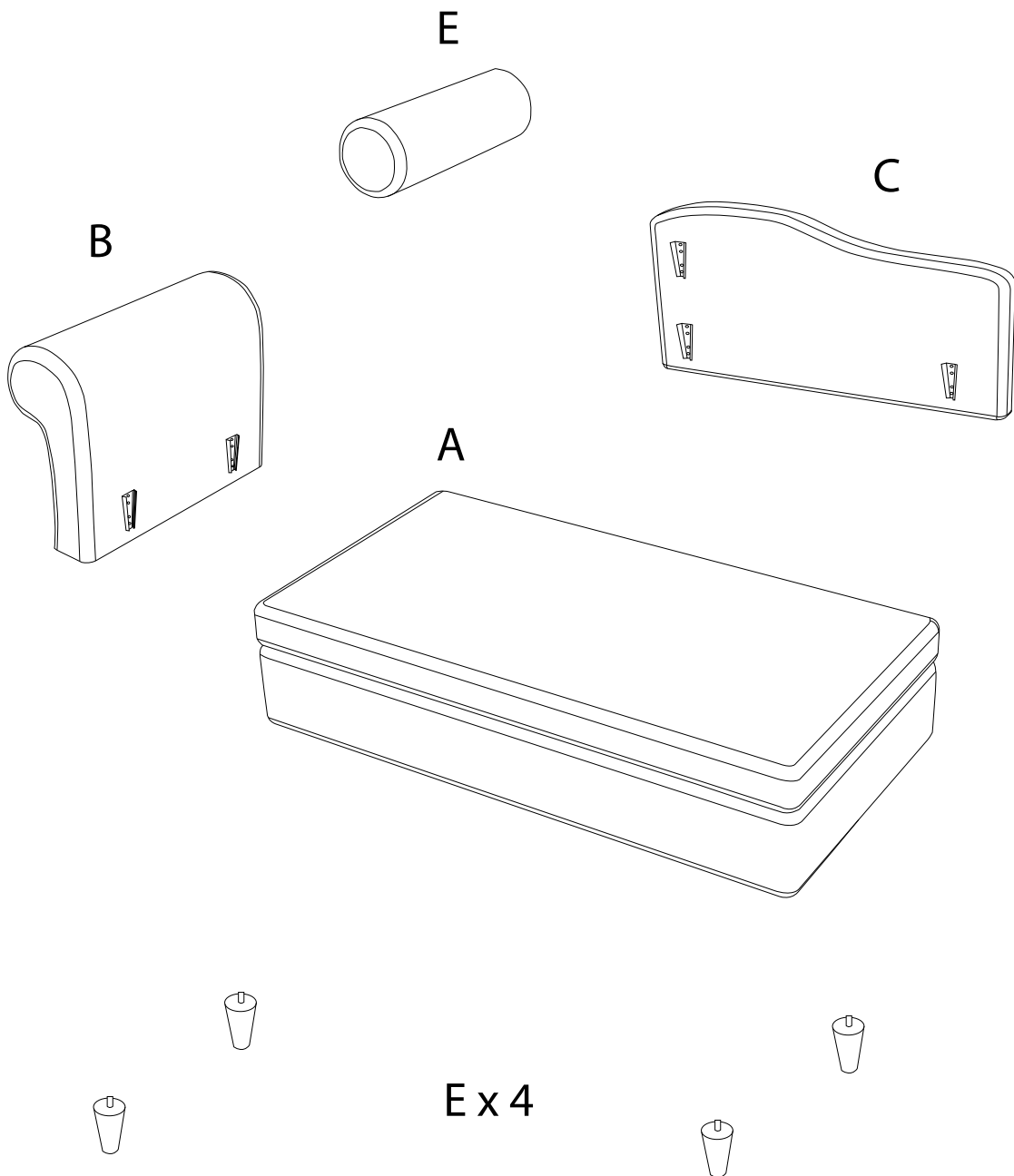
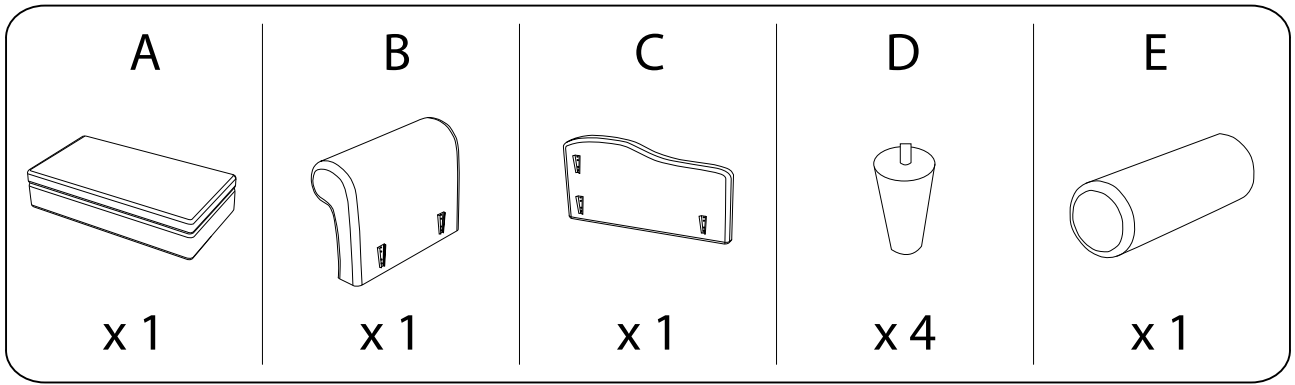


30'



1

1/5



1

B

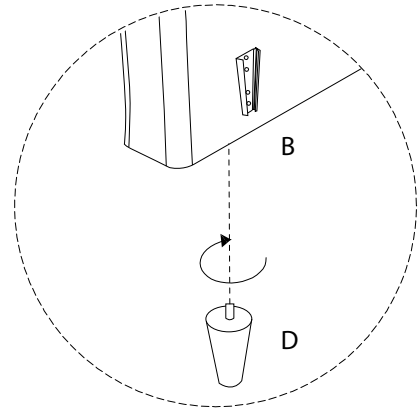
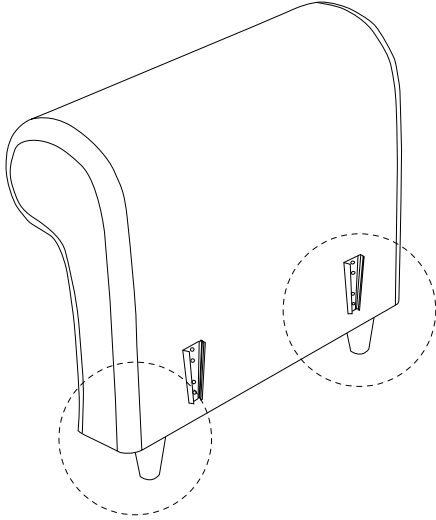


x 1

D

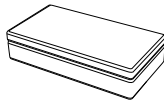


x 2



2

A

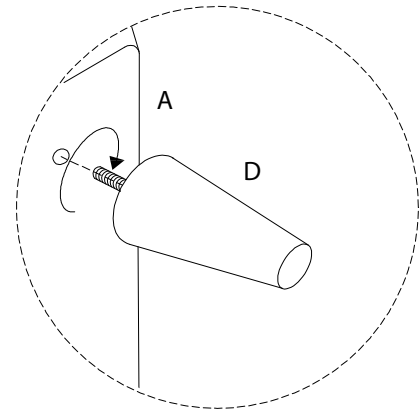
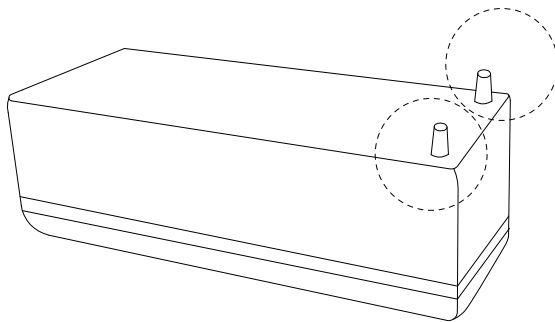


x 1

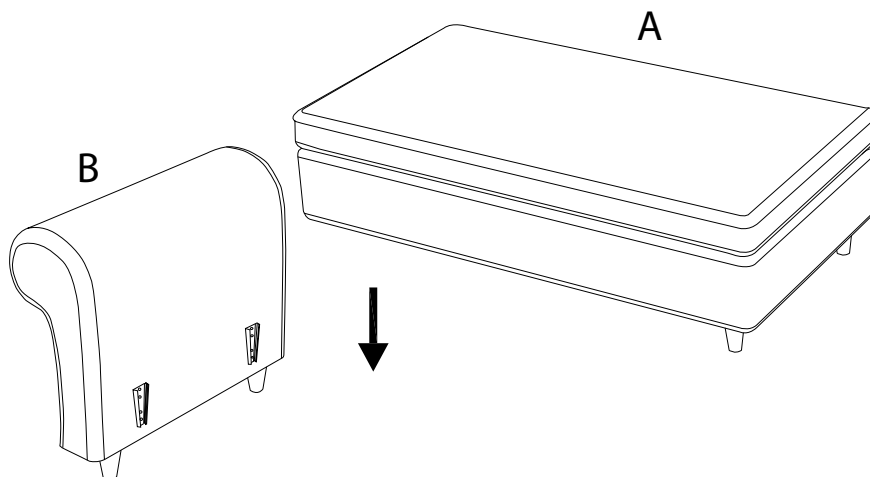
B



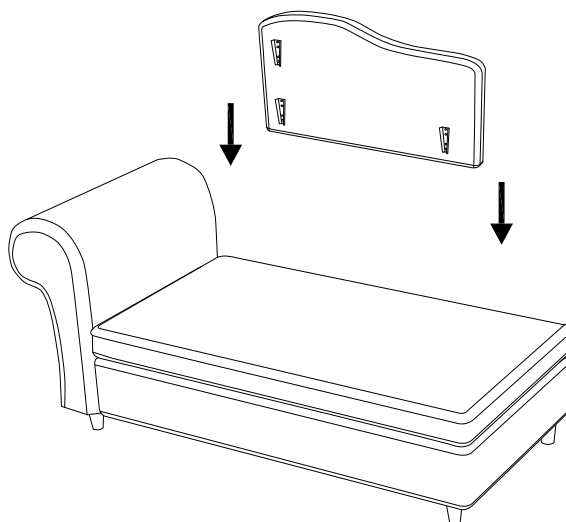
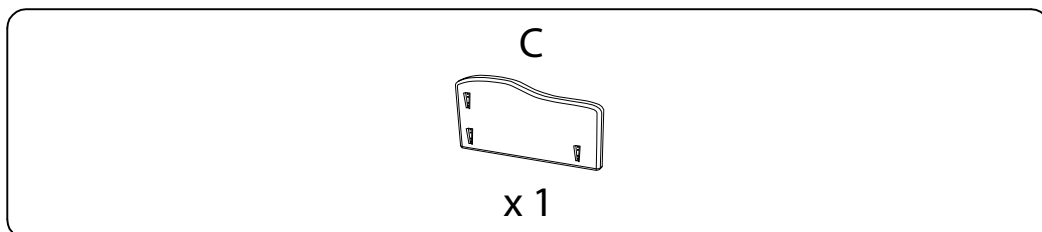
x 2



3

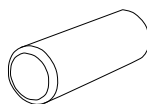


4



5

E



x 1

