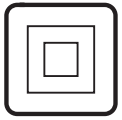


# INSTRUCTION MANUAL



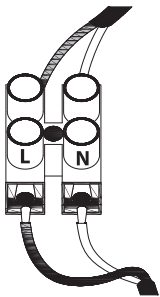
Hortus WL LED PIR IP54 Round Half Black  
94831

Hortus WL LED PIR IP54 Round Half Grey  
94832

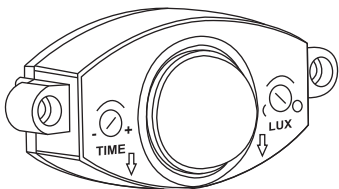
- 1 Turn off the power



- 3 Connect the input power cable to the terminal



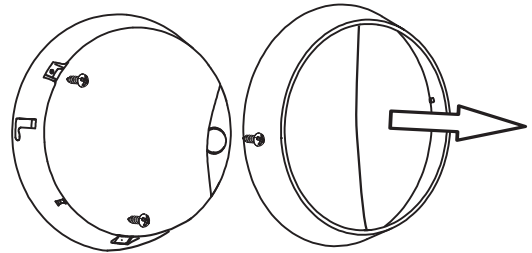
- 5 Adjust the PIR sensor accordingly  
Sensor detection distance: 1~10m(22°C)  
Ambient light: <10LUX~2000LUX(adjustbale)  
Duty time: 10±5sec~5±1 min(adjustbale)



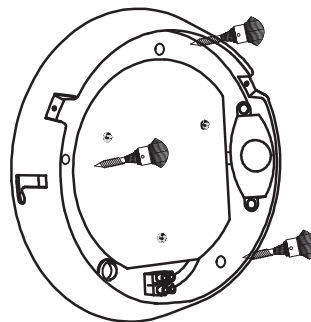
This item contains  
unchangeable LED

700	LM
10	W
3000	K
>80	CRI
25000	H
20000	ON/OFF

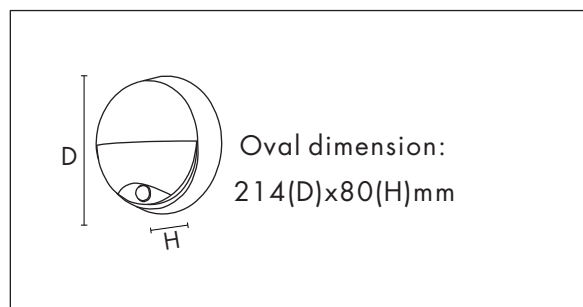
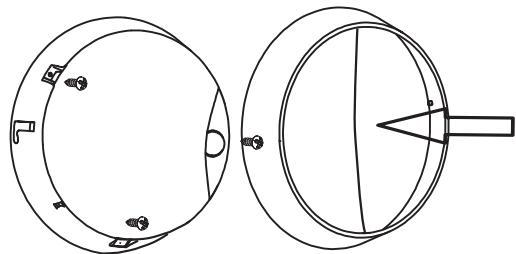
- 2 Remove the ring from the light  
Loosen the four screws, and open the light



- 4 Hold the housing against the wall/ceiling  
Drill two holes on wall/ceiling  
Insert two dowels, fix the housing




- 6 Close the light, fasten the four screws,  
Put the ring back to the light



# SAFETY INSTRUCTION

Please study the instruction manual and below information carefully before installing or using this product. Please keep this user manual for further reference

1. The luminaires may only be installed by authorized and qualified technicians according the valid regulations for electrical installation.
2. Maintenance of the luminaires is limited to their surfaces. During maintenance no moisture can come into contact with any areas of the terminal connections or voltage control parts.
3. The electrical supply must be switched off at the outset, preferably by means of a switch in the distribution box, before any installation, maintenance or repair work is undertaken.
4. Exterior lighting must not be installed during rain.
6. Take account of the minimal separation distance from other objects and the room required around the fitting.
7. If in any doubt, consult a professional, taking local installation requirements into account. Some countries stipulate that lighting may be installed only by registered installers.
8. Clamping screws in electrical connections must be adequately tightened. This is particularly the case with 12V low voltage conductors.
9. When replacing a halogen lamp, wait for it to cool, for a minimum of 5 minutes.
10. Clean with a clean, dry cloth or brush, use no solvents or abrasives. Avoid dampness on all electrical components
11. Take account of all available technical information.
12. Take note of the symbols when connecting wires:  
**N =Neutral**      **L =Live**       =Earth
13. Meaning of symbols:



For indoor use only, where direct contact with water is impossible



This icon indicates the level of water-proof and dust-proof



Protection Class I: the fitting must be earthed



Protection Class II: the fitting is doubled insulated and does not require earthing



Protection Class III: the fitting is low voltage



Minimum distance from lighted objects (meters)



Only the self-shielded halogen lamp should be used with the luminaire



Strip the wire to the indicated length (mm)



Connect using the specified cable



The luminaire is suitable for direct mounting on normal inflammable surface



The type of lamp and maximum size and wattage indicated in each lighting unit must not be exceed



The armature is designed to work only with the indicated voltage. Different items require different working voltage.



The luminaire can be used in combination with a dimmer



The reference light angle and light space of the luminaire



This luminaire cannot be disposed together with normal domestic waste in standard rubbish can, but you have to bring it to a staging area for electrical waste

