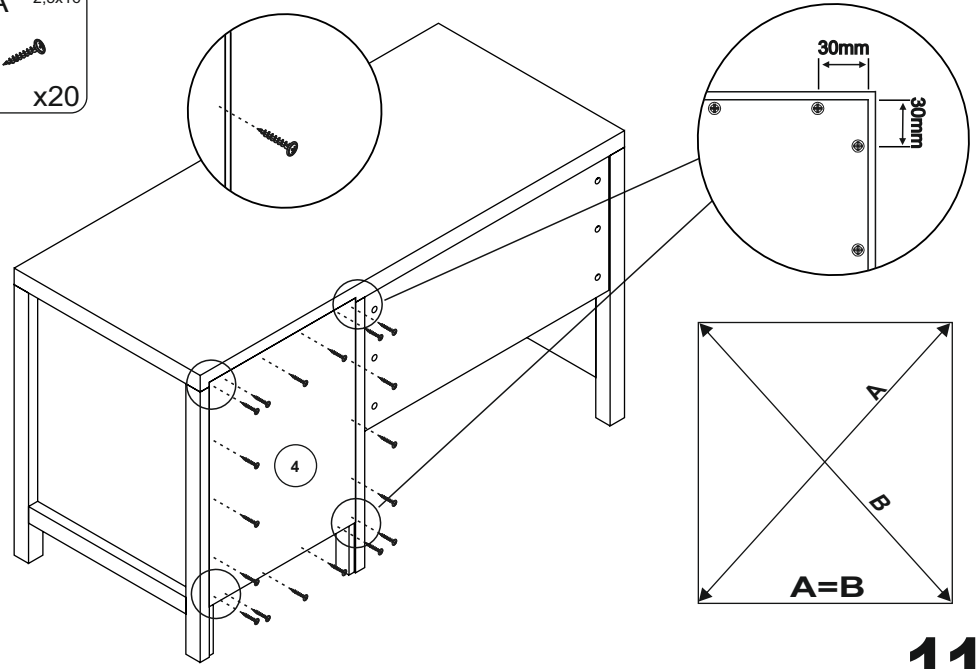
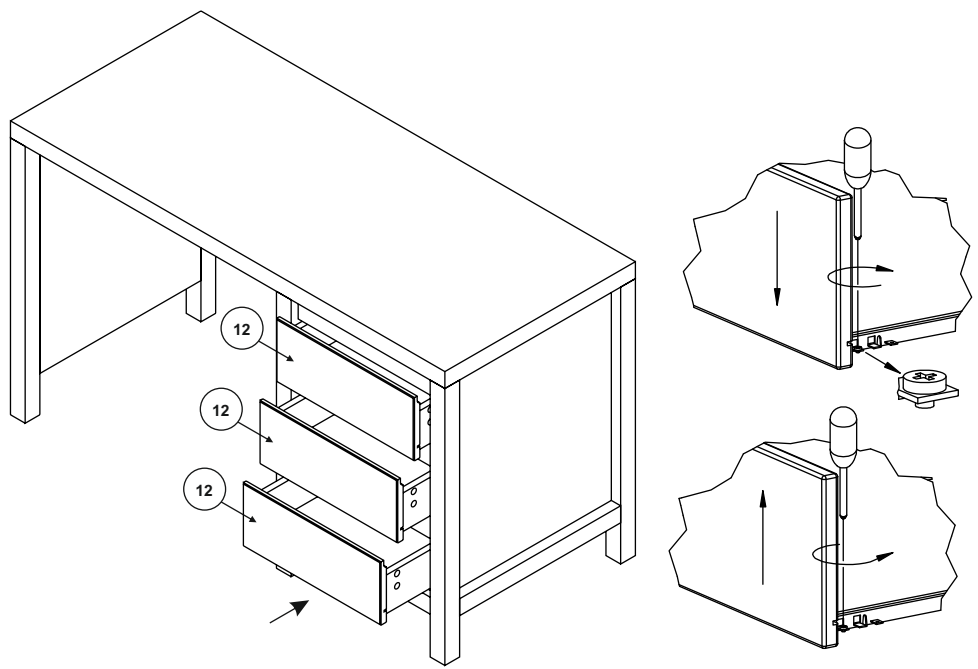


DA 2,5x16
x20



11



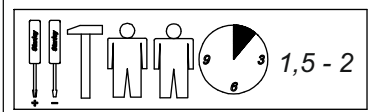
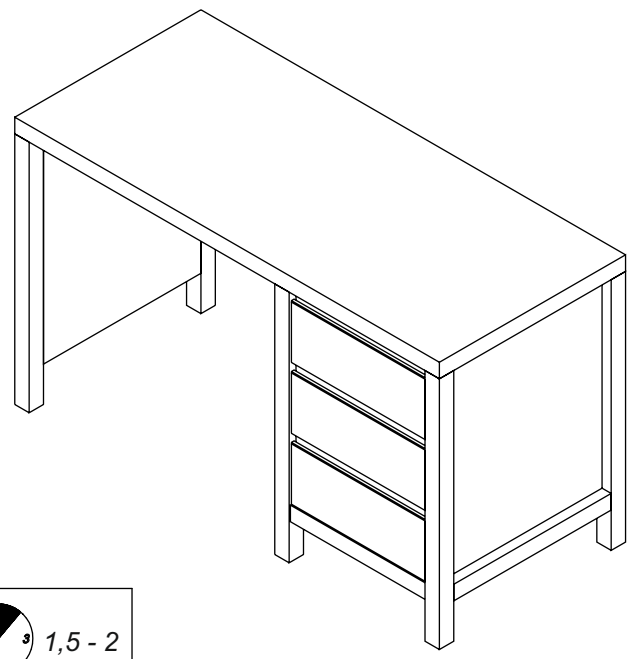
12

Instruction Manual

Corsica

WRITINGDESK

322711



DISTRIBUTOR:

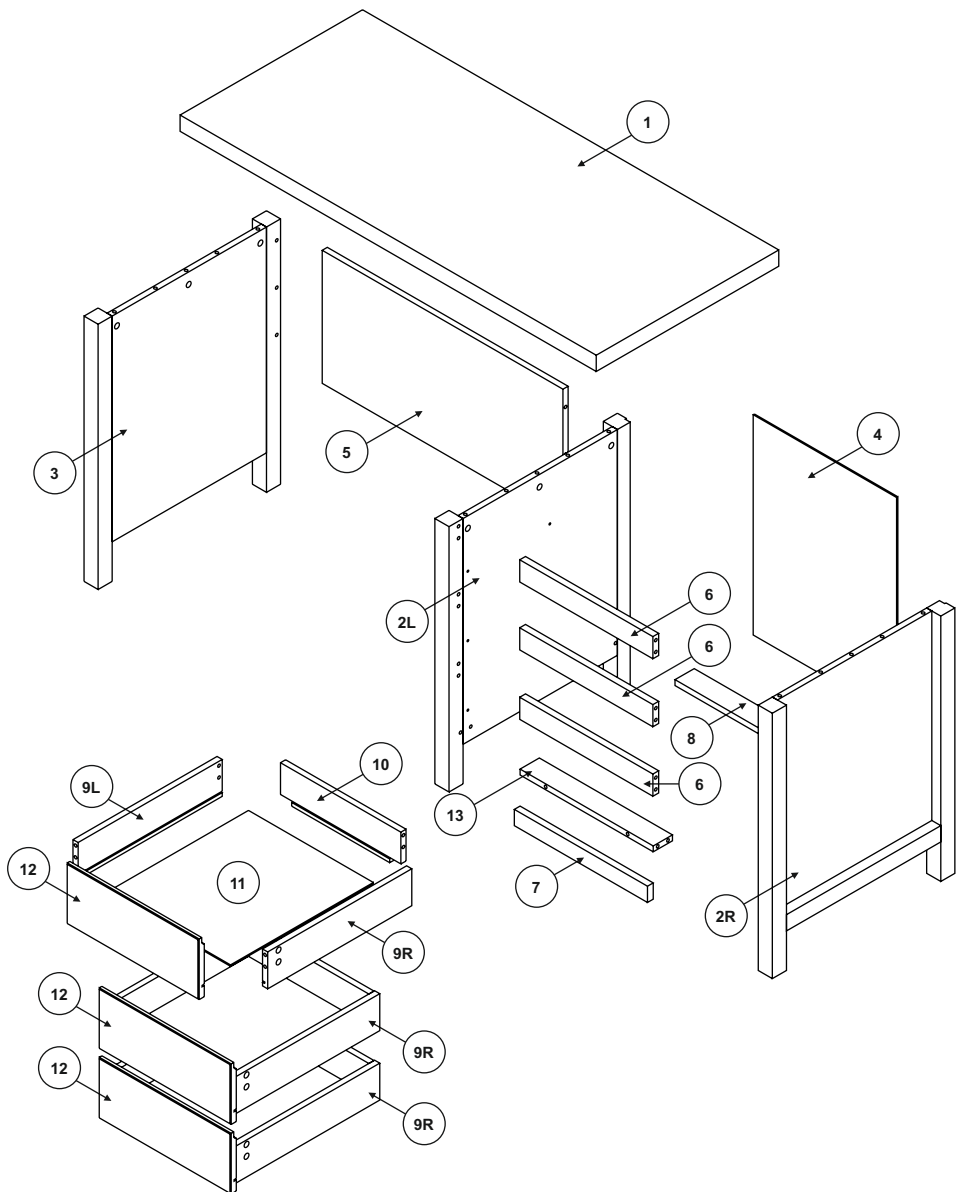
BOPITA

Edisonweg 3, 6662 NW Elst

The Netherlands

www.bopita.com

14.01.2019.

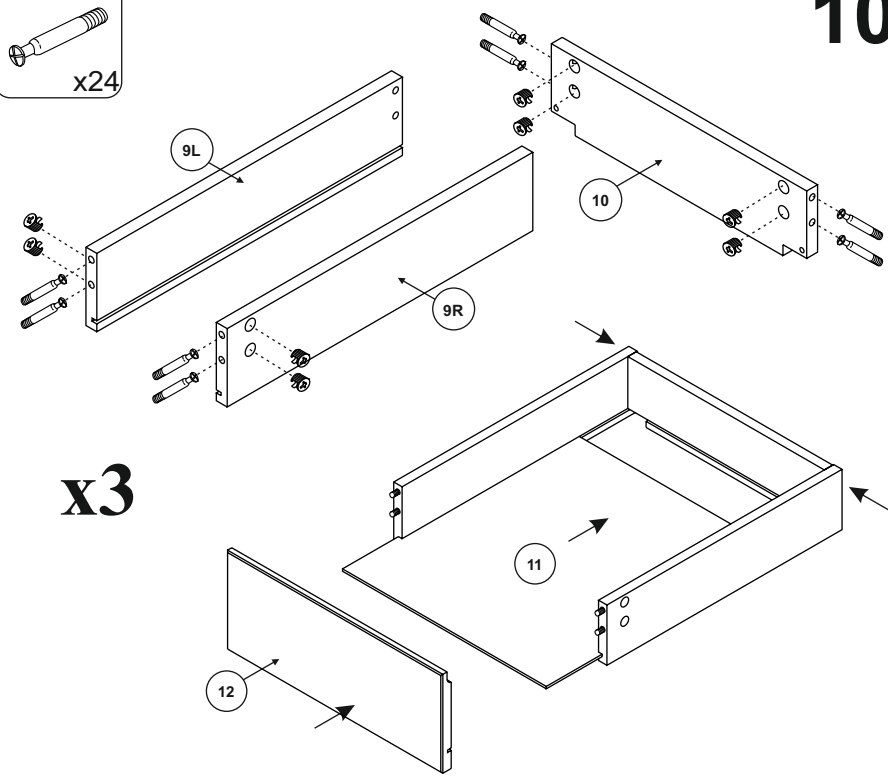


- | | | |
|----------------------------|-------------------------|-----------------------------|
| A
8x36
x16 | B
x51 | C
15x10
x51 |
| DA
2,5x16
x20 | E
L=450
x3 | F
6,3x11,5
x12 |

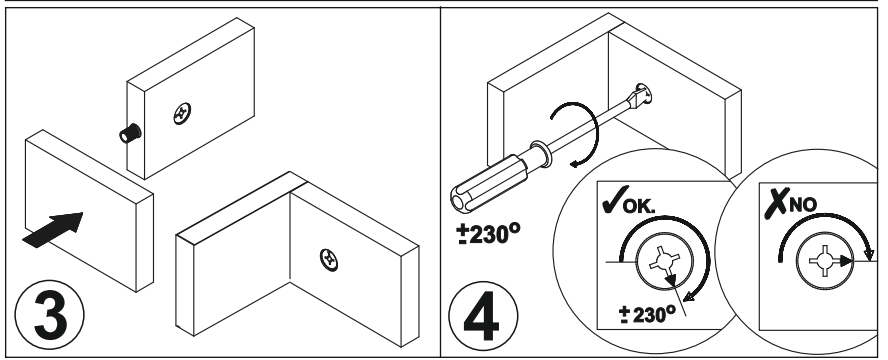
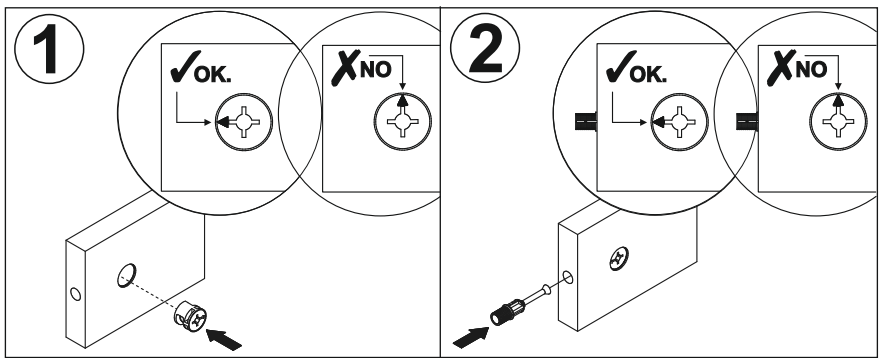
2

- | | |
|--------------------------|-----------------|
| C
15x10
x24 | B
x24 |
|--------------------------|-----------------|

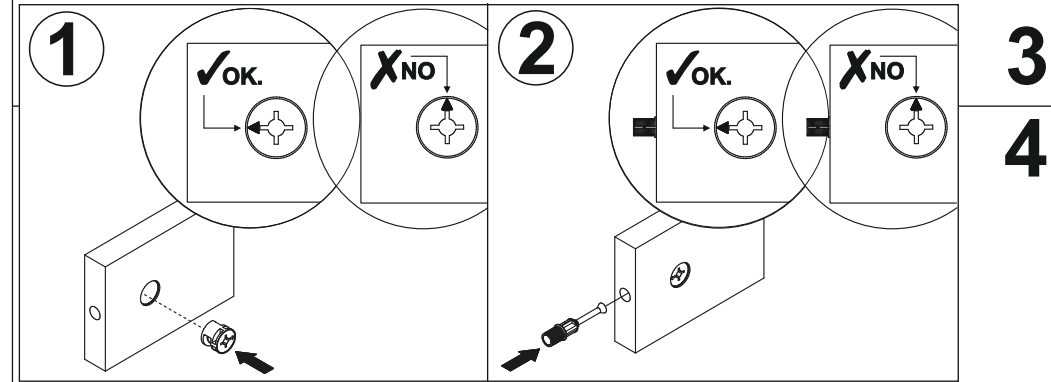
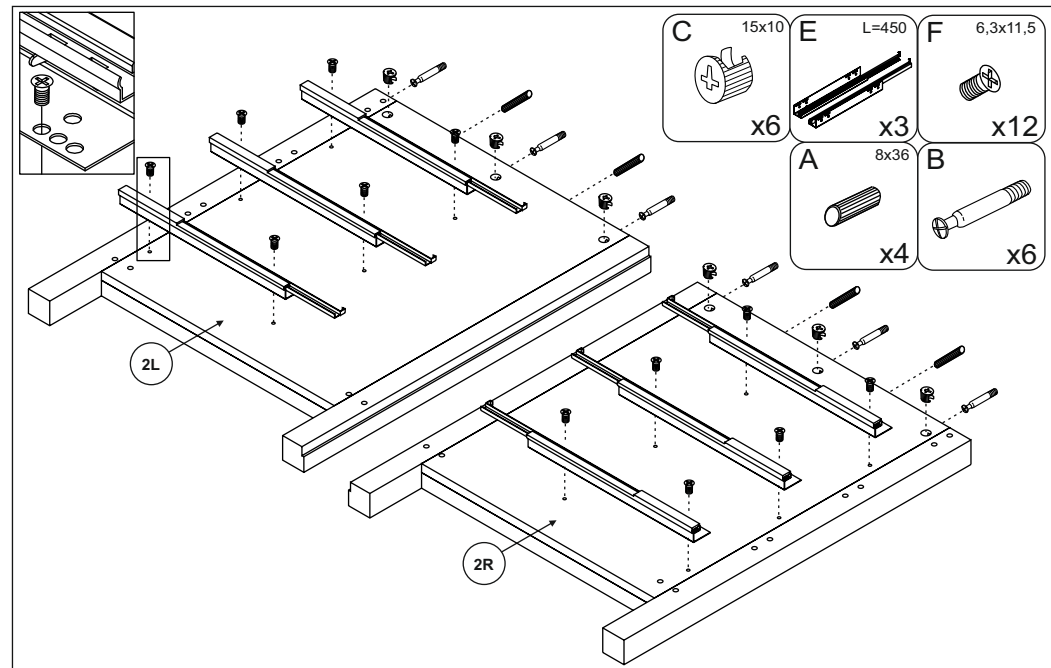
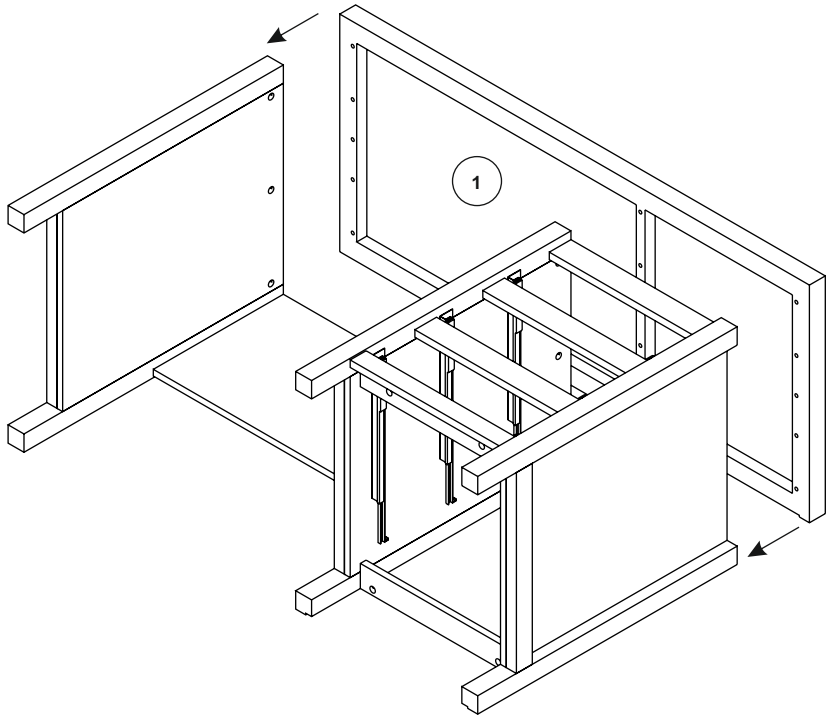
10



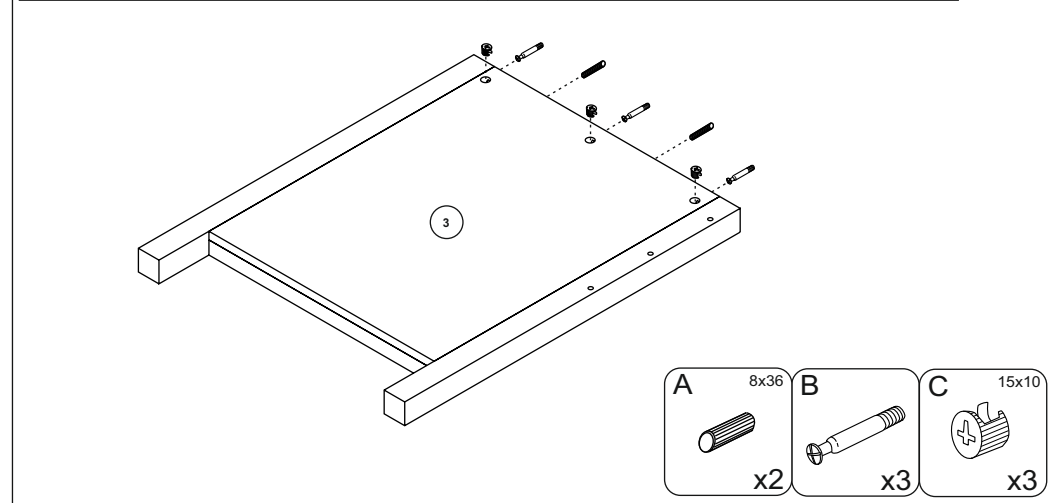
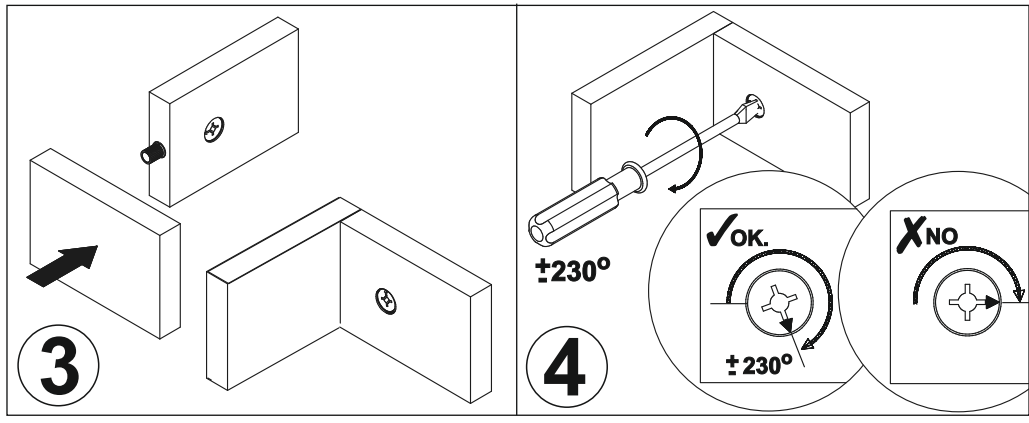
x3

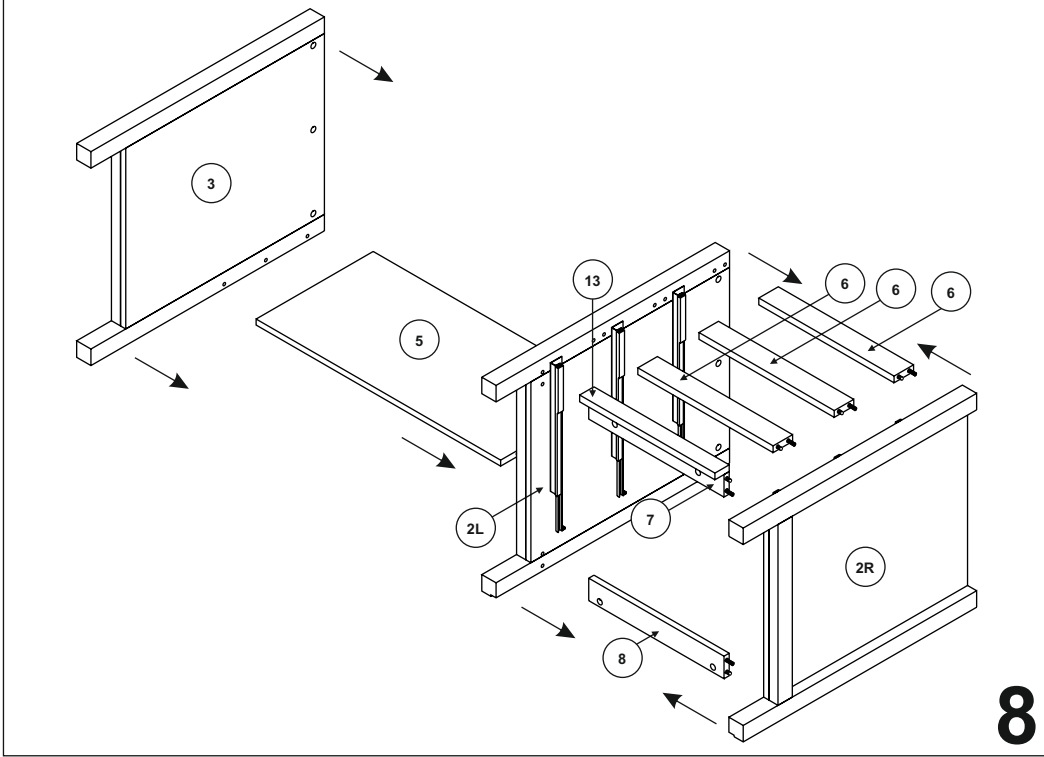
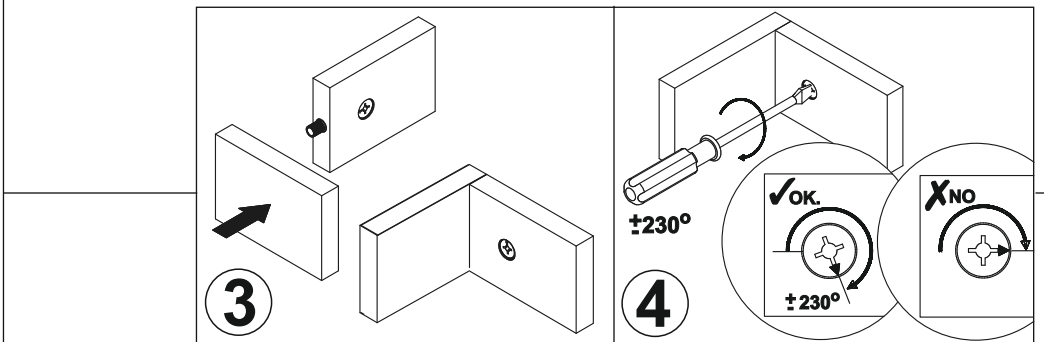
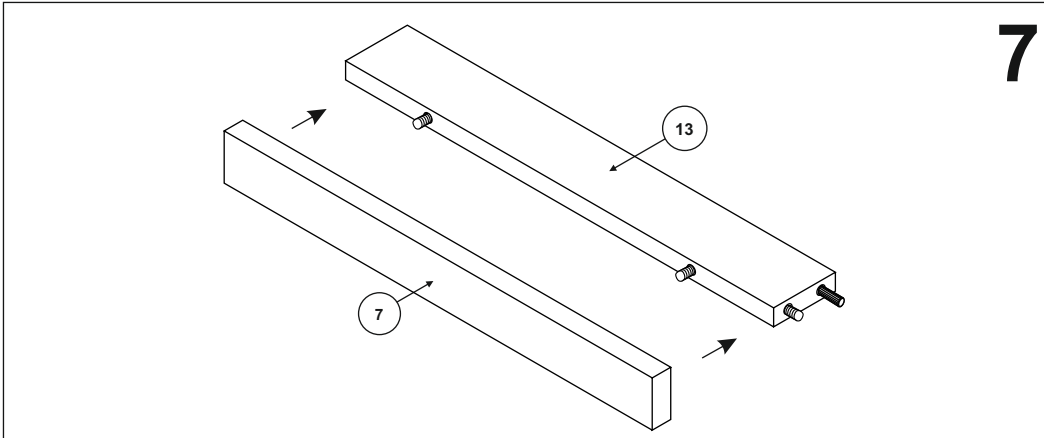
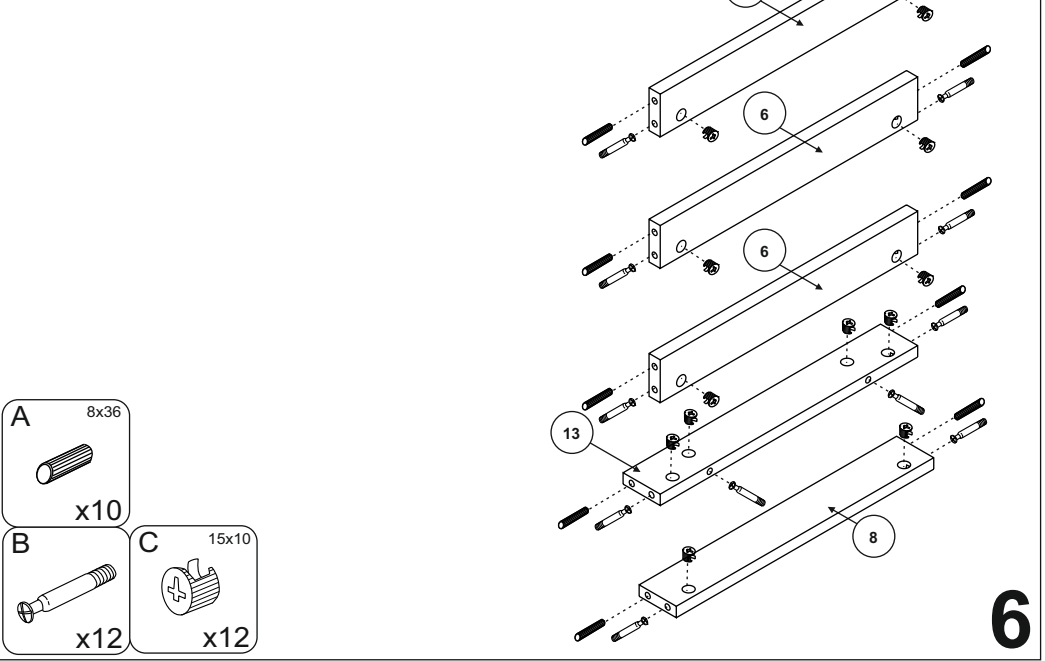
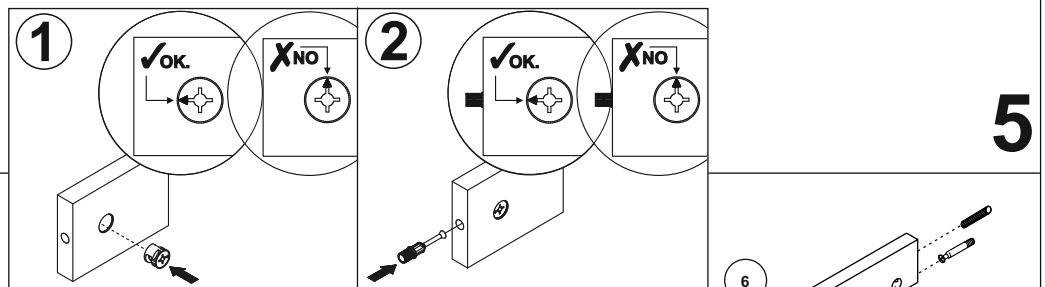
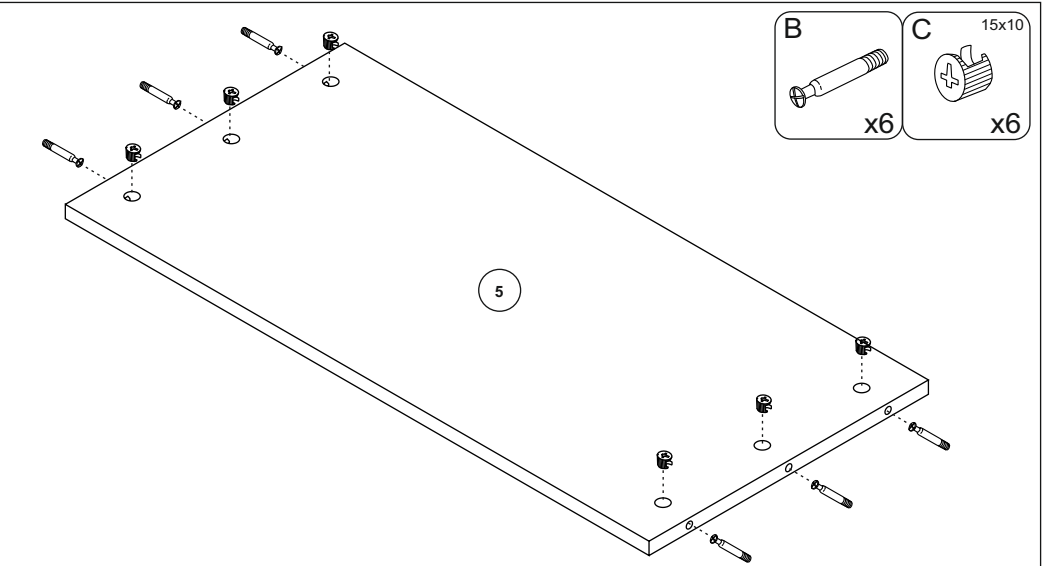


9



3
4





7

5

6

8