



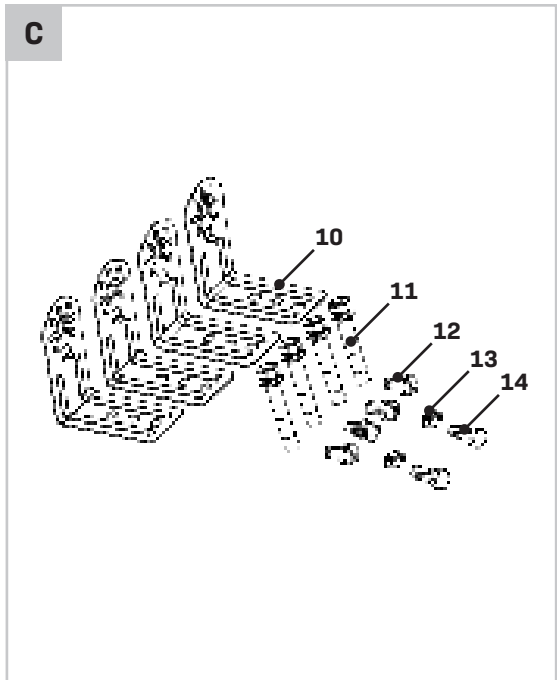
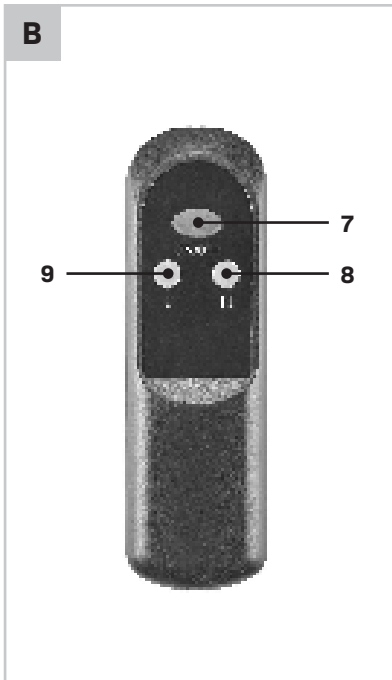
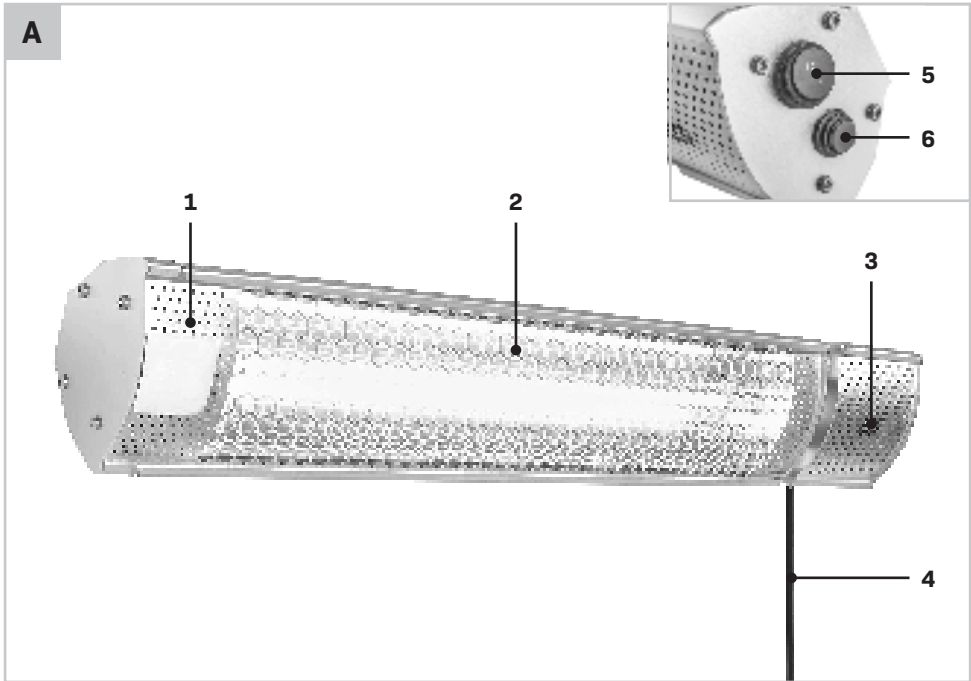
**VONROC®**

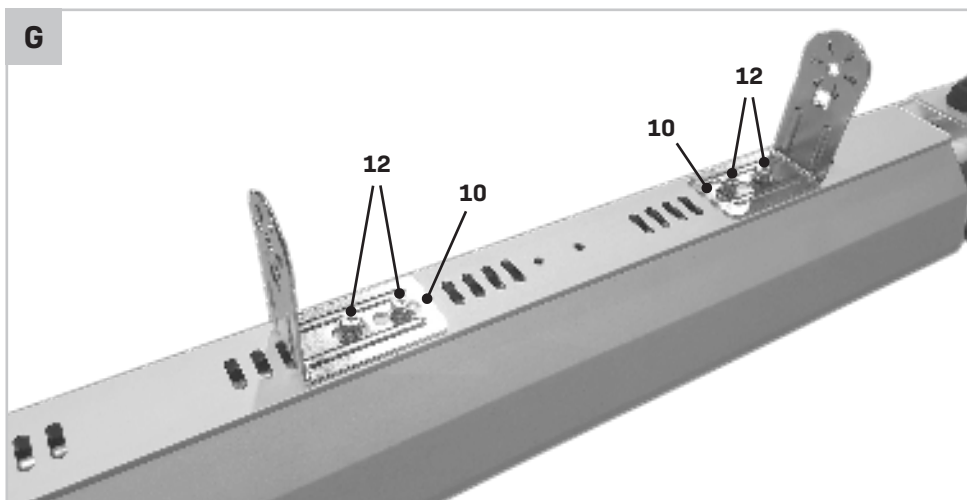
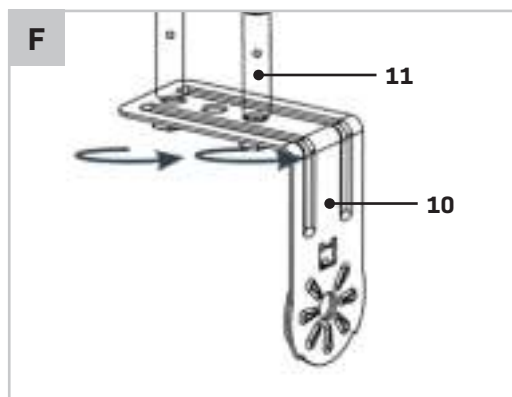
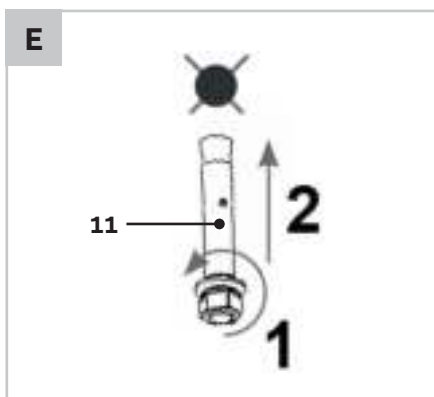
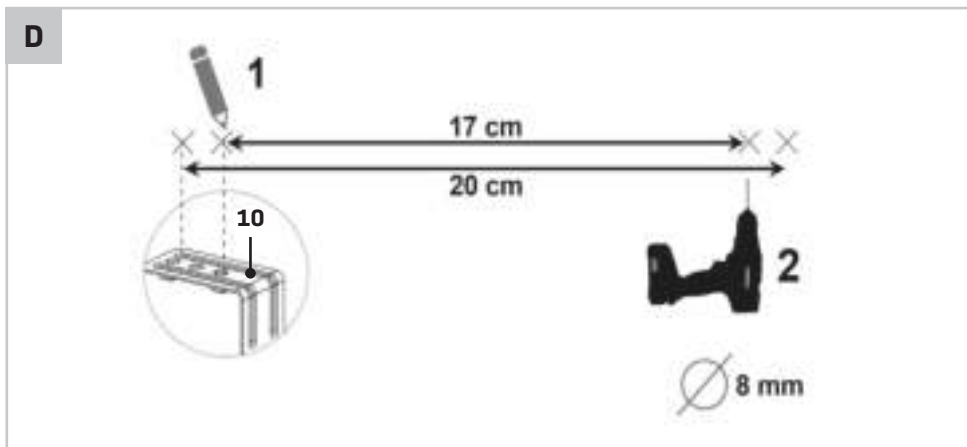
BUILD YOUR FUTURE

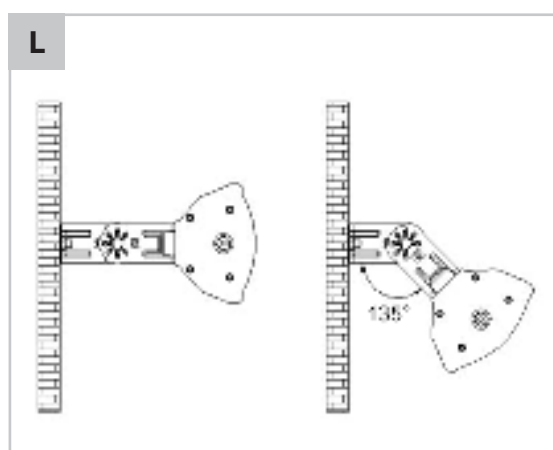
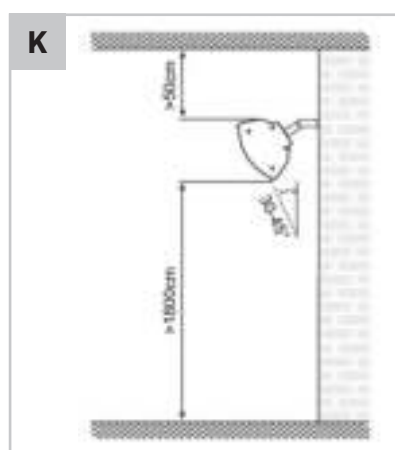
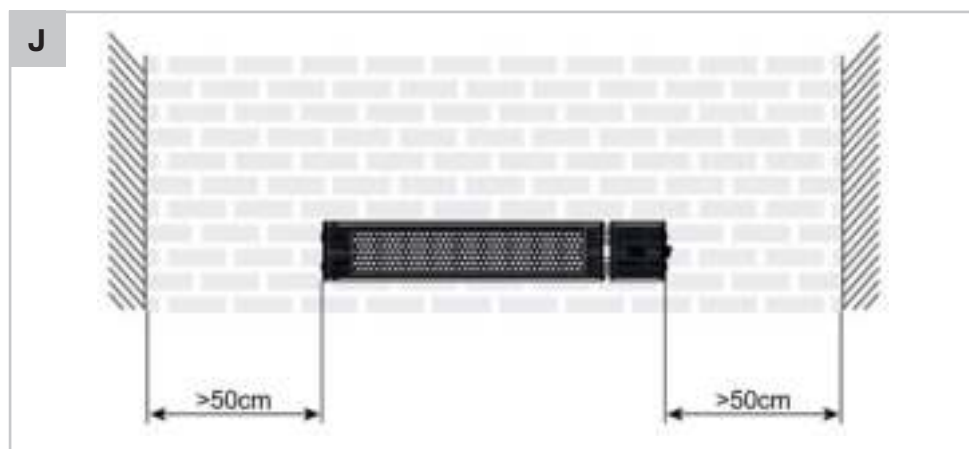
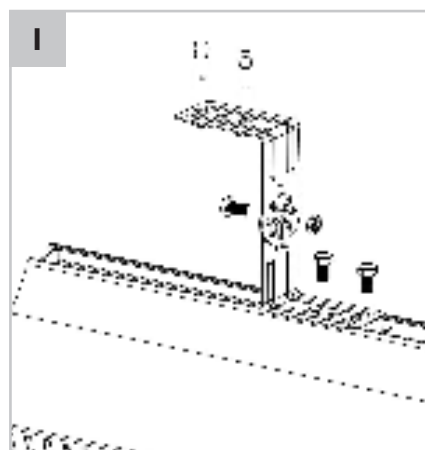
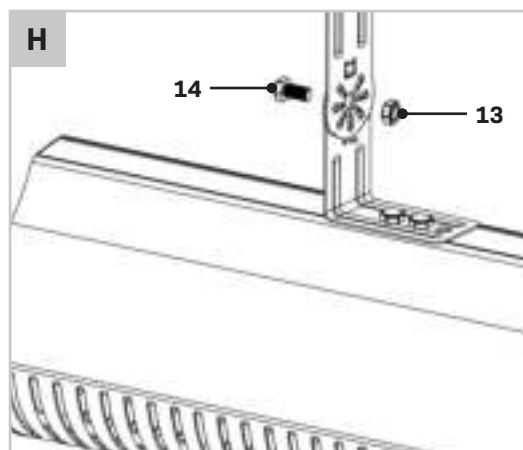
## PATIO HEATER MARSILI PH502AC / PH503AC

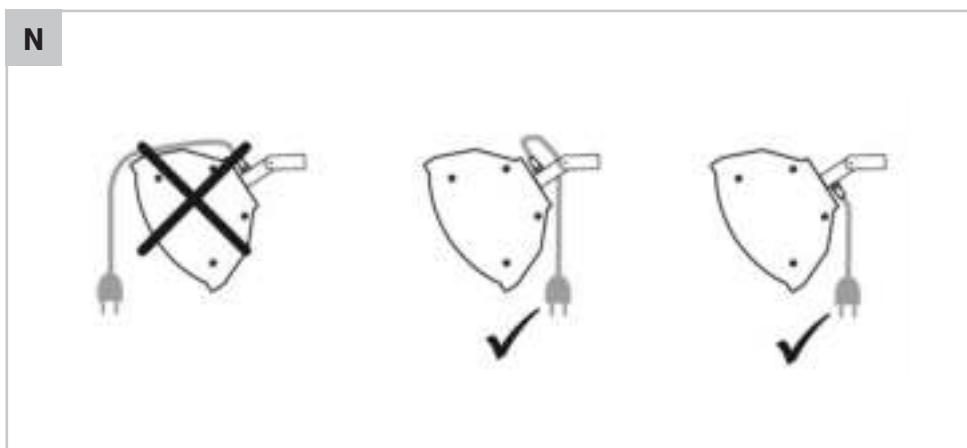


<b>EN</b>	Original Instructions	06
<b>DE</b>	Übersetzung Der Originalbetriebsanleitung	11
<b>NL</b>	Vertaling van de oorspronkelijke gebruiksaanwijzing	17
<b>FR</b>	Traduction de la notice originale	23
<b>ES</b>	Traducción del manual original	29
<b>IT</b>	Traduzione delle istruzioni originali	34
<b>SV</b>	Översättning av bruksanvisning i original	40
<b>DA</b>	Oversættelse af den originale brugsanvisning	45
<b>PL</b>	Tłumaczenie instrukcji oryginalnej	50
<b>RO</b>	Traducere a instrucțiunilor originale	56









## 1. SAFETY INSTRUCTIONS

Read the enclosed safety warnings, the additional safety warnings and the instructions. Failure to follow the safety warnings and the instructions may result in electric shock, fire and/or serious injury. Save the safety warnings and the instructions for future reference.

The following symbols are used in the user manual or on the product:



*Read the user manual.*



*Denotes risk of personal injury, loss of life or damage to the heater in case of nonobservance of the instructions in this manual.*



*Risk of electric shock.*



*Caution: hot surface!*



*Do not cover the device.*



*Earthing symbol. This appliance is classified as protection class I and must be connected to an earthed mains socket.*



*The product is in accordance with the applicable safety standards in the European directives.*

### GENERAL SAFETY WARNINGS

**THESE INSTRUCTIONS SHOULD BE READ CAREFULLY AND RETAINED FOR FUTURE REFERENCE, The manufacturer cannot be held liable for any damages caused by failure to observe these instructions.**

### IMPORTANT SAFETY INSTRUCTIONS

READ CAREFULLY-The infrared heater is designed for safe operation. Nevertheless, installation, maintenance and operation of the heater can be dangerous. Observing the following procedures will reduce the risk of fire, electric shock, injury to persons and keep installation time to a minimum. Save these instructions for future use.

- Read all instruction before using this heater.
- Remove the unit from its packaging and check

to make sure it is in good condition before using.

- Do not let children play with parts of package (such as plastic bags).
- Check the household voltage to ensure it matches the heater's rated specification.
- Check the power cord and plug carefully before used, to make sure that they are not damaged.
- Before unplugging the power cord, be sure to turn off the power, when energizing the unit, be sure your hands are dry to prevent from electric shock.
- Only use the terrace radiator outdoors or in a large open space. Keep all flammable objects such as tarpaulins, parasols, branches, furniture, curtains, paper etc. out of the way of the device (at least 1 meter also if they are if they are non-stationary objects!). The distance to the walls must be at least 1 meter. The head must be located at least 180 cm above the ground. If you place the device under a roof, there must be a space of at least 50 cm between the cap of the terrace radiator and the (non-flammable) ceiling. With a flammable roof (wood, plastic, tarpaulin etc.) this distance must be at least 1 meter. Always ensure good ventilation!
- Do not locate the device just above or below a wall socket (not in the immediate vicinity).
- The terrace heater is only intended for household use. You should not therefore use it on construction sites, in glasshouses, barns or stalls etc., even if they are largely open. There is usually too much flammable material there.
- Do not use this terrace heater as sauna heating or as a permanent space or room heater.
- Do not use this terrace heater in a kennel or any other location where animals are present.
- Do not use near or in the immediate vicinity of a bath or swimming pool or any source of liquid. Despite the fact that the device is splash proof, you need to be careful with water. Ensure that it cannot fall into the water and do not expose it to powerful jets of water. Do not touch it with wet hands and do not place the device in the area immediately around a bath, washroom, swimming pool or other water supply, as this is dangerous.
- To protect against electric shock, do not immerse cord or plug in water or any other liquid.
- Do not insert or allow foreign objects to enter any ventilation or exhaust opening, as this may

cause an electric shock, fire or damage to the heater.

- Ensure there is sufficient light. The switches on the device must be properly visible from a distance of 1 meter.
- Always unplug the heater when not in use. Never leave the device unsupervised when in use, but switch it off and unplug. Do not use the device with a programmer, timer or any other device that switches the device on automatically.
- Do not use the heater with an external voltage regulator such as dimmer, speed controller etc. This produces an electrical hazard.
- Make sure that the cord does not hang over (sharp) edges, does not make strong curves, does not touch hot surfaces. Do not wrap the cord around the device.
- Do not allow cord to overhang the counter top where it can be easily pulled by children.
- Do not put fingers or foreign objects into the grill while in operation.
- Do not leave the appliance unattended when in use.
- This heater is not intended for use in bathrooms, laundry and similar indoor locations, never locate the heater where it may fall into a bathtub or other water container.
- No liability can be accepted for any damage caused by non-compliance with these instructions or any other improper use or mishandling.
- This appliance can be used by children aged from 8 years and above and persons with reduced physical, sensory or mental capabilities or lack of experience and knowledge if they have been given supervision or instruction concerning use of the appliance in a safe way and understand the hazards involved. Children shall not play with the appliance. Cleaning and user maintenance shall not be made by children without supervision.
- If the device for any reason produces cracks or breaks, or if you establish any imperfection or interruption to the aluminium casing or any other part, immediately stop the operation of the device and take the plug from the socket.
- If the power cord is damaged in any way, it must be replaced by the manufacturer or its service agent or a similarly qualified person in order to avoid a hazard.
- To prevent overheating of this appliance, keep the air inlets and outlets clean and free of

anything that may cause blockage. Check all inlets and outlets from time to time to ensure it is clear of any dirt or dust accumulation. DO NOT COVER. The warning label not to cover the device must also be placed in a clearly visible location after installation: it should not therefore be on the back.

- Parts of the heater may exceed 200°C, contact with the heating tube, reflector, or metal parts near the heating tube, may cause severe BURNS. To avoid burns, do not let bare skin touch the hot surface.
- NEVER place hands under the heating elements. ALWAYS allow heating element to cool at least 10 minutes before touching the heating tube or adjacent parts.
- Do not store any burnable liquids or materials like paint, petrol, gas tanks etc. in the immediate surroundings of the device. Don't use the device in flammable ambience, such as nearby combustible gas tanks, gas tubes or spray cans. Danger of explosion and fire!
- This product contains recyclable materials. Do not dispose this product as unsorted community waste. Please contact your local authorities for the nearest collection point.

#### Electrical safety



*Always check that the voltage of the power supply corresponds to the voltage on the rating plate.*

- If the supply cord of this power tool is damaged, it must be replaced by a specially prepared supply cord available through the service organization.
- Only use extension cables that are suitable for the power rating of the machine with a minimum thickness of 1.5 mm<sup>2</sup>. If you use an extension cable reel, always fully unroll the cable.

## 2. MACHINE INFORMATION

#### Intended use

This product is designed as a patio heater for domestic environments. The heater is intended for private gardens or other outdoor areas at home. The heater may not be used to heat an indoor space, usage as a non-household outdoor space heater or for the drying of textiles or other materials. This heater is not equipped with a device to

control the room temperature so do not use this heater in spaces when they are occupied by persons not capable of leaving the room on their own, unless constant supervision is provided. The device is to be used only for its prescribed purpose. Any other use is deemed to be a case of misuse.

### TECHNICAL SPECIFICATIONS

Model No.	PH502AC-PH503AC
Voltage	220-240 V ~
Frequency	50-60 Hz
Power	2000W
Power settings	1: 1000W 2: 2000W
Heating element type	Low glare lamp
Heating time	1 second
Wave length	0.78-1.4 microns
Radiant efficiency	90%
Heating distance	4-5m
Heating area	10-12m <sup>2</sup>
Colour temperature	1500K
Overheat protection	Yes
Electronic soft start	Yes
Ingress protection class	IP55
Protection class	Class I
Weight	2.03 kg

### DESCRIPTION

The numbers in the text refer to the diagrams on page 2-5.

1. Heater
2. Protective grill
3. Receiver for remote control
4. Power cable
5. On/off switch
6. Mode button
7. Remote control on/off switch
8. Power level 1 button
9. Power level 2 button
10. Mounting bracket
11. Sleeve anchor
12. Screw with washers
13. Nut
14. Bolt

### 3. ASSEMBLY



*This heater should be installed by a competent person, i.e. a qualified electrician.*



*Always disconnected the heater from the electrical supply and allow it to cool before installation.*

#### Installing the heater (Fig. A-N)



*Always mount the device with the supplied accessories.*

Before starting the installation, take the following into consideration:

- Place the device on a firm, level surface.
- The device must be mounted so that there is 50 cm of free space between the heater and any ceiling, tent canvas etc. There must also be at least 1.80 m between the ground and the underside of the device. Refer to Fig. J and K. The device may never be hung at an angle!
- Ensure that the power supply cable is well mounted and that it does not come into contact with reflector of the heater or that does not trail into heated area.
- Do not install the heater on an inflammable surface.
- If the heater is to be used outside, a weather-proof outlet is highly recommended.
- Before drilling ensure that there are no wires or water pipes in the area where the heater is to be installed.

To install the heater on a wall or ceiling, follow these steps:

1. The device is supplied with the mounting accessories as shown in figure C.
2. Drill a total of 4 holes using the dimensions in figure D. The hole diameter should be the same diameter as the anchor diameter: 8mm. Drill at least 10 to 15 mm deeper than the expected embedment. Ensure the holes are level and at exactly the same height.
3. Clean out the holes of any debris.
4. Set the nut flush with the top of the sleeve anchor (11), shown as step 1 in figure E.
5. Insert the sleeve anchor (11) into the hole in the base material, shown as step 2 in figure E. Using a hammer, insert the sleeve anchor as far until the washer and nut are tight against the



base material.

6. Now put the mounting bracket (10) on the sleeve anchors (11), and mount it using the washer and nut. Turn the nut until finger tight. Both as shown on figure F.
7. Use a size 10 wrench to set the anchor by turning the nut three to four full turns.
8. Mount the remaining 2 mounting brackets (10) onto the outer holes of the heater (1), as shown on figure G.
9. Take the heater with the assembled brackets to the mounting brackets mounted on the wall or ceiling. Now pair both brackets with the bolt (14) and nut (13), as shown on figure H.
10. Figure I shows a correctly assembled mounting bracket assembly.
11. Take into account the minimum distances as shown on figure J and K.
12. The heater can be adjusted until the maximum angle, as shown on figure K and L.
13. Plug the patio heater into a grounded power outlet. Check beforehand if the voltage rating matches the device.
14. Take into account to mount the power cable in correct matter, as shown on figure M and N. Use tyrapas to fixate the cable to the mounting brackets if necessary.

**Note:** the heater can also be mounted on a tripod or metal stand. Follow the instructions supplied with the tripod or stand, to mount the heater properly.

**Assembling the remote control (Fig. B)**

- Flip the remote control (8) to the backside and remove the battery cover.
- Insert 2 AAA/ Alkaline type batteries into the remote control (8) in accordance with the instructions and polarity of the batteries..
- Change the batteries in the same way depicted above.

**4. OPERATION**

**Switching on/off (Fig. A, B)**

The heater can be turned on and off using the remote control (8) or the mode button (6). Before use, the power switch (5) on the heater must first be turned on.

Using the remote control

If you do not have the remote control in your possession, please contact Vonroc customer service.

- First turn the switch (5) on the heater to the 'I' On position.
- Press the button (9) on the remote control (8) to turn the heater on.
- To turn the heater off, again press the button (9) on the remote control (8).
- Press the switch (5) on the heater to the 'O' Off position to power off

**Note:** Make sure to point the remote control (8) in the direction of the remote control receiver (10). All VONROC heaters and their remote controls use the same frequency, so it is possible to control several heaters with just one remote.

Using the mode button

- First turn the switch (5) on the heater to the 'I' On position.
- Press the mode button (1) to turn the heater on in level 1 – 1000W power level.
- Press the mode button (2) again to turn the heater on in level 2 – 2000W power level.
- To turn the heater off, again press the mode button (1).

**Adjusting the power level (Fig. A, B)**

The heater power can be adjusted in two levels:

- Level 1 - 1000W (50% power)
- Level 2 - 2000W (100% power)

The desired level can be selected using the remote control by pressing either the Power level 1 button (8) or the Power level 2 button (9). The level can also be selected by using the mode button (6), see chapter 'switching on/off'.

**5. MAINTENANCE**



*Always make sure that the machine is not connected to the mains electricity when you carry out any maintenance of the mechanism.*



**CAUTION:** Risk of Electric Shock. DO NOT open or try to repair the heater yourself.

Clean the machine casings regularly with a soft cloth, preferably after each use. Make sure that the ventilation openings are free of dust and dirt. Re-

move very persistent dirt using a soft cloth moistened with soapsuds. Do not use any solvents such as gasoline, alcohol, ammonia, etc. Chemicals such as these will damage the synthetic components.

- DO NOT use alcohol, gasoline, abrasive powders, furniture polish or rough brushes to clean the heater. This may cause damage or deterioration to the surface of the heater.
- DO NOT immerse the heater in water.
- Wait until the heater is completely dry before use.

#### ATTENTION:

1. Always disconnect the heater from the electricity supply and allow it to cool before attempting to clean it.
2. If the heater has collected dust or dirt inside the unit or around the heating element, have to unit cleaned by a qualified service agent. Do not operate the heater in this condition.
3. The only maintenance required is cleaning of the external surfaces of the heater.
4. Do not touch the heating element with bare fingers, as residue from your hand could affect the life of the lamp. If it is accidentally touched, remove the finger marks with a soft cloth moistened with mentholated spirit or alcohol.
5. Do not attempt to repair or adjust any electrical or mechanical functions on this heater.
6. The heater contains no user serviceable parts. Should the product suffer damage or breakdown, it must be returned to the manufacturer or its service agent.
7. Damaged supply cords to be replaced by the manufacturer, service agent or similarly qualified person in order to avoid hazard.

#### Storage

Store the heater in a cool, dry location when not in use to prevent dust and dirt build up. Use packaging carton to store.

#### Trouble Shooting

If the heater will not operate, please check the following before seeking repair or service:

- Check if the power cord is plugged into an electrical outlet, if not plug in.
- Check if electricity to the main fuse is working.
- Make certain the power switches are turned on. If not, choose a setting.

## ENVIRONMENT



*Faulty and/or discarded electrical or electronic apparatus have to be collected at the appropriate recycling locations.*

#### Only for EC countries

Do not dispose of power tools into domestic waste. According to the European Guideline 2012/19/EU for Waste Electrical and Electronic Equipment and its implementation into national right, power tools that are no longer usable must be collected separately and disposed of in an environmentally friendly way.

## WARRANTY

VONROC products are developed to the highest quality standards and are guaranteed free of defects in both materials and workmanship for the period lawfully stipulated starting from the date of original purchase. Should the product develop any failure during this period due to defective material and/or workmanship then contact your VONROC directly.

The following circumstances are excluded from this guarantee:

- Repairs and or alterations have been made or attempted to the machine by unauthorized service centers;
- Normal wear and tear;
- The tool has been abused, misused or improperly maintained;
- Non-original spare parts have been used.

This constitutes the sole warranty made by company either expressed or implied. There are no other warranties expressed or implied which extend beyond the face hereof, herein, including the implied warranties of merchantability and fitness for a particular purpose. In no event shall VONROC be liable for any incidental or consequential damages. The dealers remedies shall be limited to repair or replacement of nonconforming units or parts.

**The product and the user manual are subject to change. Specifications can be changed without further notice.**

## 1. SICHERHEITSAUWEISUNGEN

Lesen Sie die beiliegenden Sicherheitsanweisungen, die zusätzlichen Sicherheitsanweisungen sowie diese Bedienungsanleitung sorgfältig durch. Bei Nichtbeachten der Sicherheitsanweisungen und der Bedienungsanleitung kann es zu einem Stromschlag, einem Brand und/oder schweren Verletzungen kommen. Bewahren Sie die Sicherheitsanweisungen und die Bedienungsanleitung zur künftigen Bezugnahme sicher auf.

Folgende Symbole werden im Benutzerhandbuch oder auf dem Produkt verwendet:



Lesen Sie das Benutzerhandbuch.



Bedeutet, dass bei Nichtbeachtung der Anweisungen in dieser Anleitung Verletzungen, Tod oder Beschädigung des Heizgeräts die Folge sein können.



Gefahr eines Stromschlags.

Achtung, Heiße Oberfläche!



Das Gerät nicht abdecken.



Erdungssymbol. Dieses Gerät ist als Schutzklasse I eingestuft und muss an eine geerdete Netzsteckdose angeschlossen werden.



Das Produkt entspricht den geltenden Sicherheitsnormen der europäischen Richtlinien.

**ALLGEMEINE SICHERHEITSHINWEISE**  
**DIESE ANWEISUNGEN MÜSSEN SORGFÄLTIG**  
**GELESEN UND ZUM SPÄTEREN NACHSCHLAGEN**  
**AUFBEWAHRT WERDEN, Der Hersteller kann nicht**  
**für Schäden haftbar gemacht werden, die durch**  
**Nichtbeachtung dieser Anweisungen entstehen.**

### WICHTIGE SICHERHEITSAUWEISUNGEN

**SORGFÄLTIG LESEN** – Dieses Infrarotheizgerät ist für einen sicheren Betrieb ausgelegt. Dennoch können Installation, Wartung und Betrieb des Heizgeräts gefährlich sein. Die Einhaltung der folgenden Verfahren verringert das Risiko von Feuer, Stromschlag und Verletzungen und reduziert die Installationsdauer auf ein Minimum. Bewahren Sie

diese Anweisungen zur späteren Verwendung auf.

- Lesen Sie alle Anweisungen, bevor Sie das Heizgerät verwenden.
- Nehmen Sie das Gerät aus der Verpackung und prüfen Sie vor der Verwendung, ob es in gutem Zustand ist.
- Lassen Sie keine Kinder mit Teilen der Verpackung (wie z. B. Plastiktüten) spielen.
- Prüfen Sie die Haushaltsspannung, um sicherzustellen, dass sie mit der Nennspezifikation des Heizgeräts übereinstimmt.
- Überprüfen Sie das Netzkabel und den Netzstecker vor der Verwendung sorgfältig, um sicherzustellen, dass sie nicht beschädigt sind.
- Bevor Sie das Netzkabel aus der Steckdose ziehen, achten Sie darauf, das Gerät auszuschalten. Beim Einschalten ist darauf zu achten, dass Ihre Hände trocken sind, um einen Stromschlag zu vermeiden.
- Verwenden Sie den Terrassenheizstrahler nur im Freien oder in einem großen offenen Bereich. Halten Sie alle brennbaren Gegenstände wie Planen, Sonnenschirme, Äste, Möbel, Vorhänge, Papier usw. von dem Gerät fern (mindestens 1 Meter, auch wenn es sich um bewegliche Gegenstände handelt!). Der Abstand zu den Wänden muss mindestens 1 Meter betragen. Der Kopf muss sich mindestens 180 cm über dem Boden befinden. Wenn das Gerät unter einem Dach aufgestellt wird, muss zwischen dem Deckel des Terrassenheizstrahlers und der (nicht brennbaren) Decke ein Abstand von mindestens 50 cm bestehen. Bei einem brennbaren Dach (aus Holz, Kunststoff, Plane usw.) muss dieser Abstand mindestens 1 Meter betragen. Sorgen Sie immer für eine gute Belüftung!
- Platzieren Sie das Gerät nicht direkt über oder unter einer Wandsteckdose (also nicht in unmittelbarer Nähe).
- Diese Terrassenheizung ist nur für den Privatgebrauch bestimmt. Sie sollten sie daher nicht auf Baustellen, in Gewächshäusern, Scheunen oder Ställen usw. verwenden, auch wenn diese weitgehend offen gestaltet sind. Dort ist normalerweise zu viel brennbares Material vorhanden.
- Verwenden Sie diese Terrassenheizung nicht als Saunaheizgerät oder als ständige Heizung für Bereiche oder Zimmer.
- Verwenden Sie diese Terrassenheizung nicht in einem Zwinger oder an einem anderen Ort, an dem sich Tiere befinden.

- Verwenden Sie das Gerät nicht in der Nähe oder in unmittelbarer Nähe einer Badewanne, eines Swimmingpools oder einer Flüssigkeitsquelle. Obwohl das Gerät spritzwassergeschützt ist, sollte der Kontakt mit Wasser vermieden werden. Stellen Sie sicher, dass das Gerät nicht ins Wasser fallen kann, und setzen Sie es keinen starken Wasserstrahlen aus. Berühren Sie das Gerät nicht mit nassen Händen und stellen Sie es nicht in der unmittelbaren Umgebung einer Badewanne, eines Waschrums, eines Swimmingpools oder einer anderen Stelle mit Wasserversorgung auf, da dies zu Gefahren führen kann.
- Zum Schutz vor Stromschlägen tauchen Sie Kabel oder Stecker keinesfalls in Wasser oder andere Flüssigkeiten ein.
- Stecken Sie keine Gegenstände in die Lüftungs- oder Abluftöffnungen und lassen Sie auch keine Gegenstände in diese Öffnungen eindringen, da dies zu einem Stromschlag, Brand oder einer Beschädigung des Heizgeräts führen kann.
- Sorgen Sie für ausreichende Beleuchtung. Die Schalter am Gerät müssen aus einer Entfernung von 1 Meter gut sichtbar sein.
- Ziehen Sie immer den Netzstecker ab, wenn Sie das Gerät nicht benutzen. Lassen Sie das Gerät während des Betriebs nie unbeaufsichtigt, sondern schalten Sie es aus und ziehen Sie den Netzstecker ab. Verwenden Sie das Gerät nicht mit einem Programmiergerät, einer Zeitschaltuhr oder einer anderen Vorrichtung, die das Gerät automatisch einschaltet.
- Verwenden Sie das Heizgerät nicht mit einem externen Spannungsregler wie Dimmer, Drehzahlsteller usw. Dadurch entsteht eine elektrische Gefährdung.
- Achten Sie darauf, dass das Kabel nicht über (scharfe) Kanten hängt, nicht stark gebogen oder geknickt wird und keine heißen Oberflächen berühren kann. Wickeln Sie nicht das Kabel um das Gerät.
- Lassen Sie das Kabel nicht über eine Thekenplatte o.ä. hinausragen, wo Kindern leicht daran ziehen können.
- Stecken Sie während des Betriebs keine Finger oder Gegenstände in das Gitter.
- Lassen Sie das Gerät nicht unbeaufsichtigt, während es läuft.
- Dieses Heizgerät ist nicht für den Gebrauch in Badezimmern, Wäschereien und ähnlichen Innenräumen vorgesehen. Stellen Sie das Heizgerät niemals so auf, dass es in eine Badewanne oder einen anderen Wasserbehälter fallen kann.
- Es kann keine Haftung für Schäden übernommen werden, die durch Nichtbeachtung dieser Anweisungen oder durch unsachgemäße Verwendung oder falsche Handhabung entstehen.
- Dieses Gerät kann von Kindern ab 8 Jahren und Personen mit eingeschränkter körperlicher, sensorischer oder geistiger Leistungsfähigkeit oder mangelnder Erfahrung und mangelndem Wissen verwendet werden, wenn sie eine Aufsicht oder Anweisung zur sicheren Verwendung des Geräts erhalten haben und die Gefahren verstehen beteiligt. Kinder dürfen nicht mit dem Gerät spielen. Reinigung und Wartung durch den Benutzer dürfen nicht von Kindern ohne Aufsicht durchgeführt werden.
- Sollte das Gerät aus irgendeinem Grund Risse oder Brüche aufweisen, oder sollten Sie eine Unvollkommenheit oder Unterbrechung am Aluminiumgehäuse oder einem anderen Teil feststellen, stellen Sie den Betrieb des Geräts sofort ein und ziehen Sie den Netzstecker aus der Steckdose.
- Wenn das Stromkabel auf irgendeine Weise beschädigt ist, muss es vom Hersteller, seinem Kundendienst oder einer ähnlich qualifizierten Person ausgetauscht werden, um eine Gefährdung zu vermeiden.
- Um eine Überhitzung dieses Geräts zu vermeiden, halten Sie die Lufterlässe und -auslässe sauber und frei von allem, was eine Verstopfung verursachen könnte. Überprüfen Sie regelmäßig alle Ein- und Auslässe, um sicherzustellen, dass sie frei von Schmutz- oder Staubansammlungen sind. NICHT ABDECKEN. Der Warnaufkleber mit dem Hinweis, das Gerät nicht abzudecken, muss nach der Installation gut sichtbar sein. Er sollte sich daher nicht auf der Rückseite befinden.
- Teile des Heizgeräts können 200°C überschreiten. Der Kontakt mit dem Heizrohr, dem Reflektor oder Metallteilen in der Nähe des Heizrohrs kann daher schwere VERBRENNUNGEN verursachen. Um Verbrennungen zu vermeiden, lassen Sie keine nackte Haut die heiße Oberfläche berühren.
- Halten Sie NIEMALS die Hände unter die Heizelemente. Lassen Sie das Heizelement IMMER mindestens 10 Minuten abkühlen, bevor Sie das

Heizrohr oder benachbarte Teile berühren.

- Lagern Sie in der unmittelbaren Umgebung des Geräts keine brennbaren Flüssigkeiten oder Materialien wie Farbe, Benzin, Gastanks usw. Verwenden Sie das Gerät nicht in brennbarer Umgebung, wie z. B. in der Nähe von Tanks mit brennbarem Gas, Gasrohren oder Sprühdosen. Explosions- und Brandgefahr!
- Dieses Produkt enthält wiederverwertbare Materialien. Entsorgen Sie dieses Produkt nicht als unsortierten Restmüll. Die nächstgelegene Entsorgungsstelle erfahren Sie bei den örtlichen Behörden.

**Elektrische Sicherheit**



*Achten Sie stets darauf, dass die Spannung der Stromversorgung mit der Spannung auf dem Typenschild übereinstimmt.*

- Verwenden Sie die Maschine nicht, wenn das Netzkabel oder der Netzstecker beschädigt ist.
- Verwenden Sie nur Verlängerungskabel, die für die Leistungsaufnahme der Maschine geeignet sind und eine Mindestaderstärke von 1,5 mm<sup>2</sup> haben. Falls Sie eine Kabeltrommel verwenden, rollen Sie das Kabel immer vollständig ab.

**2. ANGABEN ZUM WERKZEUG**

**Verwendungszweck**

Dieses Produkt ist als Terrassenheizung für den Hausgebrauch konzipiert. Die Heizung ist für private Gärten oder andere Außenbereiche zu Hause vorgesehen. Die Heizung darf nicht zum Heizen eines Innenraums, als Nicht-Haushalts-Außenraumheizung oder zum Trocknen von Textilien oder anderen Materialien verwendet werden. Diese Heizung ist nicht mit einer Vorrichtung zur Steuerung der Raumtemperatur ausgestattet. Verwenden Sie diese Heizung daher nicht in Räumen, in denen sich Personen aufhalten, die den Raum nicht alleine verlassen können, es sei denn, dies wird ständig überwacht. Das Gerät darf nur für den vorgeschriebenen Zweck verwendet werden. Jede andere Verwendung gilt als Missbrauch.

**TECHNISCHE DATEN**

Modellnr.	PH502AC-PH503AC
Spannung	220-240 V ~
Frequenz	50-60 Hz
Leistung	2000 W
Leistungseinstellungen	1: 1000 W 2: 2000 W
Heizelementtyp	Lampe mit geringer Blending
Aufheizdauer	1 Sekunde
Wellenlänge	0,78-1,4 Mikrometer
Strahlungsleistung	90%
Heizstrecke	4-5m
Heizbereich	10-12m <sup>2</sup>
Farbtemperatur	1500K
Überhitzungsschutz	Ja
Elektronischer Sanftanlauf	Ja
Eindringsschutzklasse	IP55
Schutzklasse	Klasse I
Gewicht	2.03 kg

**BESCHREIBUNG**

Die Buchstaben und Ziffern im folgenden Text verweisen auf die Abbildungen auf Seite 2-5.

1. Heizung
2. Schutzgitter
3. Empfänger für Fernbedienung
4. Stromkabel
5. Ein-/Ausschalter
6. Modustaste
7. Fernbedienung zum Ein-/Ausschalten
8. Taste für Leistungsstufe 1
9. Taste für Leistungsstufe 2
10. Befestigungswinkel
11. Spreizanker
12. Schraube mit Unterlegscheiben
13. Mutter
14. Schraube

### 3. MONTAGE



*Dieses Heizgerät sollte von einer sachkundigen Person, d. h. von einem qualifizierten Elektriker, installiert werden.*



*Trennen Sie das Heizgerät vor der Installation immer vom Stromnetz und lassen Sie es abkühlen.*

#### Installation des Heizgeräts (Abb. A-N)



*Montieren Sie das Gerät nur mit dem mitgelieferten Zubehör.*

Vor Installationsbeginn sollten Sie Folgendes berücksichtigen:

- Stellen Sie das Gerät auf eine feste, ebene Fläche.
- Das Gerät muss so montiert werden, dass zwischen dem Heizgerät und jeder Decke, Zeltplane usw. ein Freiraum von 50 cm bleibt. Außerdem muss zwischen dem Boden und der Unterseite des Geräts ein Abstand von mindestens 1,80 m vorhanden sein. Siehe Abb. J und K. Das Gerät darf niemals in einem schrägen Winkel aufgehängt werden!
- Stellen Sie sicher, dass das Stromkabel richtig montiert sind und nicht mit dem Reflektor des Heizgeräts in Berührung kommen oder in den beheizten Bereich gelangen können.
- Bringen Sie das Heizgerät keinesfalls auf einer brennbaren Oberfläche an.
- Wenn das Heizgerät im Freien verwendet werden soll, wird eine wetterfeste Steckdose dringend empfohlen.
- Vergewissern Sie sich vor dem Bohren, dass sich keine Kabel oder Wasserleitungen in dem Bereich befinden, in dem das Heizgerät angebracht werden soll.

Gehen Sie zur Installation des Heizgeräts an einer Wand oder Decke wie folgt vor:

1. Das Gerät wird mit dem in Abbildung C gezeigten Befestigungszubehör geliefert.
2. Bohren Sie insgesamt 4 Löcher mit den Abmessungen wie in Abbildung D. Der Lochdurchmesser sollte dem Ankerdurchmesser entsprechen: 8 mm. Bohren Sie mindestens 10 bis 15 mm tiefer als die erwartete Einbettung. Stellen Sie sicher, dass die Bohrlöcher eben und auf genau derselben Höhe sind.

3. Säubern Sie die Löcher von jeglichen Verschmutzungen.
4. Setzen Sie die Mutter bündig mit der Oberseite des Spreizankers (11), wie in Schritt 1 in Abbildung E gezeigt.
5. Führen Sie den Spreizanker (11) in das Loch im Basismaterial ein, wie in Schritt 2 in Abbildung E gezeigt. Führen Sie den Spreizanker mit einem Hammer so weit ein, bis Unterlegscheibe und Mutter fest am Basismaterial anliegen.
6. Setzen Sie nun den Befestigungswinkel (10) auf die Spreizanker (11) und montieren Sie ihn mit Unterlegscheibe und Mutter. Drehen Sie die Mutter fingerfest an. Siehe jeweils Abbildung F.
7. Verwenden Sie zum Setzen des Ankers einen Schraubenschlüssel der Größe 10 und drehen Sie die Mutter drei bis vier volle Umdrehungen.
8. Montieren Sie die restlichen 2 Befestigungswinkel (10) wie in Abbildung G dargestellt an den äußeren Bohrungen des Heizgeräts (1).
9. Bringen Sie das Heizgerät mit den montierten Halterungen zu den an der Wand oder Decke montierten Befestigungswinkeln. Verbinden Sie nun beide Winkel wie in Abbildung H dargestellt mit der Schraube (14) und der Mutter (13).
10. Abbildung I zeigt eine korrekt montierte Befestigungswinkelbaugruppe.
11. Berücksichtigen Sie dabei die Mindestabstände, die in Abbildung J und K angegeben sind.
12. Das Heizelement kann bis zum maximalen Winkel eingestellt werden, wie in den Abbildungen K und L dargestellt.
13. Schließen Sie die Terrassenheizung an eine geerdete Steckdose an. Prüfen Sie vorher, ob die Nennspannung mit dem Gerät übereinstimmt.
14. Achten Sie darauf, das Stromkabel korrekt zu befestigen, wie in den Abbildungen M und N gezeigt. Verwenden Sie ggf. Kabelbinder zur Befestigung des Kabels an den Befestigungswinkeln.

**Hinweis:** Das Heizgerät kann auch auf einem Stativ oder einem Metallständer befestigt werden. Befolgen Sie die Anweisungen, die mit dem jeweiligen Stativ oder Ständer geliefert werden, um das Heizgerät richtig zu befestigen.

**Zusammenbau der Fernbedienung (Abb. B)**

- Drehen Sie die Fernbedienung (8) um und entfernen Sie den Batteriefachdeckel.
- Legen Sie 2 Alkali-Batterien vom Typ AAA in die Fernbedienung (8) ein, und beachten Sie dabei die Anweisungen und die Polarität der Batterien.
- Wechseln Sie die Batterien auf die gleiche Weise wie oben dargestellt.

**4. BETRIEB****Ein- / Ausschalten (Abb. A, B)**

Die Heizung kann mit der Fernbedienung (8) oder der Modustaste (6) ein- und ausgeschaltet werden. Vor dem Gebrauch muss zuerst der Netzschalter (5) am Heizgerät eingeschaltet werden.

Verwendung der Fernbedienung

Wenn Sie die Fernbedienung nicht in Ihrem Besitz haben, wenden Sie sich bitte an den Vonroc-Kundendienst.

- Drehen Sie zuerst den Schalter (5) an der Heizung in die Position „I“.
- Drücken Sie die Taste (9) auf der Fernbedienung (8), um die Heizung einzuschalten.
- Um die Heizung auszuschalten, drücken Sie erneut die Taste (9) auf der Fernbedienung (8).
- Drücken Sie den Schalter (5) an der Heizung in die Position „O“, um das Gerät auszuschalten

**Hinweis:** Achten Sie darauf, die Fernbedienung (8) in Richtung des Fernbedienungsempfängers (10) zu richten. Alle VONROC-Heizungen und ihre Fernbedienungen verwenden dieselbe Frequenz, sodass mehrere Heizungen mit nur einer Fernbedienung gesteuert werden können.

Verwenden der Modustaste

- Drehen Sie zuerst den Schalter (5) an der Heizung in die Position „I“.
- Drücken Sie die Modustaste (1), um die Heizung in der Leistungsstufe 1 - 1000 W einzuschalten.
- Drücken Sie die Modustaste (1) erneut, um die Heizung in der Leistungsstufe 2 - 2000 W einzuschalten.
- Um die Heizung auszuschalten, drücken Sie erneut die Modustaste (1).

**Einstellen der Leistungsstufe (Abb. A, B)**

Die Heizleistung kann in zwei Stufen eingestellt werden:

- Stufe 1 - 1000 W (50% Leistung)
- Stufe 2 - 2000 W (100% Leistung)

Die gewünschte Stufe kann mit der Fernbedienung durch Drücken der Taste Leistungsstufe 1 (8) oder der Stufe Leistungsstufe 2 (9) ausgewählt werden. Der Pegel kann auch mit der Modustaste (6) ausgewählt werden, siehe Kapitel „Ein- / Ausschalten“.

**5. WARTUNG**

*Achten Sie immer darauf, dass die Maschine nicht an das Stromnetz angeschlossen ist, wenn Sie Wartungsarbeiten an dem Gerät durchführen.*



*VORSICHT: Stromschlagrisiko. Öffnen Sie das Heizgerät NICHT und versuchen Sie NICHT, es selbst zu reparieren*

Die Maschinengehäuse regelmäßig mit einem weichen Tuch reinigen, vorzugsweise nach jedem Gebrauch. Sicherstellen, dass die Ventilatoröffnungen frei von Staub und Schmutz sind. Sehr hartnäckigen Schmutz mit einem mit Seifenlauge befeuchteten Tuch entfernen. Keine Lösungsmittel, wie Benzin, Alkohol, Ammoniak usw., da solche Chemikalien die synthetischen Komponenten beschädigen können.

- Verwenden Sie zum Reinigen des Heizgeräts KEINESFALLS Alkohol, Benzin, Scheuerpulver, Möbelpolitur oder raue Bürsten. Dies kann zu einer Beschädigung oder Verschlechterung der Oberfläche des Geräts führen.
- Das Heizgerät NICHT in Wasser eintauchen.
- Warten Sie vor der nächsten Verwendung, bis das Heizgerät vollständig trocken ist.

**ACHTUNG:**

- Trennen Sie das Heizgerät vor einem Reinigungsversuch immer von der Stromversorgung und lassen Sie es abkühlen.
- Wenn sich Staub oder Schmutz im Inneren des Geräts oder um das Heizelement herum angesammelt hat, muss das Gerät von einem qualifizierten Kundendienstmitarbeiter gereinigt werden. Betreiben Sie das Heizgerät in einem solchen Fall nicht weiter.

- Die einzige erforderliche Pflege ist die Reinigung der Außenflächen des Heizgeräts.
- Berühren Sie das Heizelement nicht mit bloßen Fingern, da Rückstände von der Hand die Lebensdauer der Lampe beeinträchtigen könnten. Wenn es versehentlich berührt wird, entfernen Sie die Fingerabdrücke mit einem weichen, mit mentholisiertem Alkohol oder Alkohol befeuchteten Tuch.
- Versuchen Sie nicht, elektrische oder mechanische Funktionen dieses Heizgeräts zu reparieren oder einzustellen.
- Das Heizgerät enthält keine vom Benutzer zu wartenden Teile. Sollte das Produkt einen Schaden oder einen Defekt erleiden, muss es an den Hersteller oder dessen Kundendienstvertreter zurückgeschickt werden.
- Ein beschädigtes Netzkabel muss vom Hersteller, dem Kundendienst oder einer ähnlich qualifizierten Person ausgetauscht werden, um Gefährdungen zu vermeiden.

### Aufbewahrung

Bewahren Sie das Heizgerät bei Nichtgebrauch an einem kühlen, trockenen Ort auf, um die Ansammlung von Staub und Schmutz zu vermeiden. Verwenden Sie zur Aufbewahrung den Verpackungskarton.

### Fehlersuche

Wenn das Heizgerät nicht funktioniert, überprüfen Sie bitte Folgendes, bevor Sie eine Reparatur oder Wartung durchführen lassen:

- Prüfen Sie, ob das Netzkabel an eine Steckdose angeschlossen ist; falls nicht, stecken Sie es ein
- Prüfen Sie, ob die Stromzufuhr zur Hauptsicherung funktioniert
- Stellen Sie sicher, dass die Netzschalter eingeschaltet sind; falls nicht, wählen Sie eine Einstellung

## UMWELTSCHUTZ



*Schadhafte und/oder zu entsorgende elektrische oder elektronische Werkzeuge und Geräte müssen an den dafür vorgesehenen Recycling-Stellen abgegeben werden.*

### Nur für EG-Länder

Entsorgen Sie Elektrowerkzeuge nicht über den Hausmüll. Entsprechend der EU-Richtlinie 2012/19/EG über Elektro- und Elektronik-Altgeräte sowie der Umsetzung in nationales Recht müssen Elektrowerkzeuge, die nicht mehr im Gebrauch sind, getrennt gesammelt und umweltschonend entsorgt werden.

## GARANTIE

VONROC-Produkte werden nach den höchsten Qualitätsstandards entwickelt und sind für den gesetzlich festgelegten Zeitraum, ausgehend von dem ursprünglichen Kaufdatum, garantiert frei von Fehlern in Material und Ausführung. Sollte das Produkt in diesem Zeitraum aufgrund von Material- und/oder Verarbeitungsmängeln Fehler aufweisen, wenden Sie sich bitte direkt an VONROC Kundendienst.

Folgende Umstände sind von der Garantie ausgeschlossen:

- Reparaturen und oder Änderungen an der Maschine, die durch nicht-autorisierte Servicestellen vorgenommen oder versucht wurden.
- Normale Abnutzung und Verschleiß.
- Das Werkzeug wurde übermäßig beansprucht, missbräuchlich verwendet oder falsch gewartet.
- Es wurden keine Original-Ersatzteile verwendet.

Dies stellt die einzige Gewährleistung des Unternehmens dar, sowohl ausdrücklich als auch implizit. Es gibt keine anderen ausdrücklichen oder stillschweigenden Garantien, die über das hier Genannte hinausgehen, einschließlich der stillschweigenden Garantien der Marktgängigkeit oder Eignung für einen bestimmten Zweck. In keinem Fall ist VONROC haftbar für Neben- oder Folgeschäden. Die Rechtsmittel des Händlers beschränken sich auf Reparatur oder Ersatz fehlerhafter Einheiten oder Teile.

**Am Produkt und am Benutzerhandbuch können Änderungen vorgenommen werden. Die technischen Daten können sich ohne Vorankündigung ändern.**



## 1. VEILIGHEIDSVOORSCHRIFTEN

Lees de bijgesloten veiligheidswaarschuwingen, de aanvullende veiligheidswaarschuwingen en de instructies. Het niet opvolgen van de veiligheidswaarschuwingen kan elektrische schokken, brand en/of ernstig letsel tot gevolg hebben. Bewaar de veiligheidswaarschuwingen en instructies als naslagwerk voor later.

De volgende symbolen worden gebruikt in de gebruikershandleiding of op het product:



*Lees de gebruikershandleiding.*



*Duidt op het risico van lichamelijk letsel, overlijden en/of beschadiging van de verwarming, als de instructies in deze gebruiksaanwijzing niet in acht worden genomen.*



*Gevaar voor elektrische schokken.*

*Opgepast heet oppervlak!*



*Dek het toestel niet af.*



*Aardingssymbool. Dit apparaat is geclassificeerd als beschermingsklasse I en moet worden aangesloten op een geaard stopcontact.*



*Het product is in overeenstemming met de van toepassing zijnde veiligheidsnormen in de Europese richtlijnen.*

**ALGEMENE VEILIGHEIDSVOORSCHRIFTEN**  
**LEES DEZE INSTRUCTIES AANDACHTIG DOOR EN**  
**BEWAAR ZE ZODAT U ZE LATER OOK NOG KUNT**  
**RAADPLEGEN, De fabrikant kan niet aansprakelijk**  
**worden gesteld voor schade die wordt veroorzaakt**  
**door het niet in acht nemen van deze instructies.**

### BELANGRIJKE VEILIGHEIDSVOORSCHRIFTEN

LEES AANDACHTIG DOOR - De infrarood kachel is ontworpen voor veilig gebruik. Toch kan installatie, onderhoud en gebruik van de verwarming gevaarlijk zijn. Wanneer u de volgende procedures in acht neemt zal dat het risico van brand, elektrische schok, persoonlijk letsel verminderde en de tijd die de installatie vraagt tot een minimum beperken. Bewaar deze

instructies zodat u ze later ook nog kunt raadplegen.

- Lees alle instructies voor u deze verwarming in gebruik neemt.
- Haal het toestel uit de verpakking en controleer dat het in goede staat is, voordat u het gaat gebruiken.
- Laat niet kinderen spelen met onderdelen van de verpakking (zoals plastic zakken).
- Controleer de spanning van de stroomvoorziening in uw huis, zodat u zeker weet dat die overeenkomt met de nominale specificatie van de verwarming.
- Controleer het netsnoer en de stekker goed voor u ze gebruikt, zodat u zeker weet dat ze niet beschadigd zijn.
- U moet, voordat u de stekker uit het stopcontact trekt, het toestel uitschakelen, let erop, wanneer u het toestel inschakelt, dat uw handen droog zijn zodat een elektrische schok wordt voorkomen.
- Gebruik de terrasverwarming alleen buiten of in een grote open ruimte. Houd alle brandbare voorwerpen zoals dekkleden, parasols, takken, meubilair, gordijnen, papier, enz. weg bij het toestel (ten minste 1 meter, ook als het niet-stationaire voorwerpen zijn!). De afstand tot mensen moet ten minste 1 meter zijn. De kop moet zich ten minste 180 cm boven de grond bevinden. Plaats u het toestel onder een dak, dan moet er een ruimte zijn van ten minste 50 cm tussen de kap van de terrasverwarming en het (niet-brandbare) plafond. Met een brandbaar dak (hout, kunststof, doek, enz.) moet de afstand ten minste 1 meter zijn. Zorg altijd voor goede ventilatie!
- Plaats het toestel niet vlak boven of onder een wandstopcontact (niet in de onmiddellijke nabijheid).
- De terrasverwarming is alleen bedoeld voor huishoudelijk gebruik. U mag het toestel daarom niet gebruiken op bouwlocaties, in kassen, schuren of stallen, enz., zelfs niet als zij grotendeels open zijn. Er is daar meestal teveel brandbaar materiaal.
- Gebruik de terrasverwarming niet als verwarming in een sauna of als een permanente verwarming in een ruimte of een vertrek.
- Gebruik de terrasverwarming niet in een kenneel of een andere locatie waar dieren aanwezig zijn.
- Gebruik het toestel niet in de onmiddellijke nabijheid van een bad of zwembad of een andere

vloeistofbron. Het toestel is wel spatwaterbestendig, maar u moet voorzichtig zijn met water. Zorg ervoor dat het toestel niet in het water kan vallen en stel het niet bloot aan krachtige waterstralen. Raak het niet aan met natte handen en plaats het toestel niet in de ruimte direct rond een bad, badkamer, zwembad of een andere watervoorziening, omdat dat gevaarlijk is.

- Bescherm uzelf tegen een elektrische schok, dompel het snoer of de stekken niet onder in water of een andere vloeistof.
- Steek geen vreemde voorwerpen in een ventilatieopening of uitlaatopening en laat geen voorwerpen in het toestel komen, omdat dit een elektrische schok, brand of beschadiging van de verwarming kan veroorzaken.
- Zorg voor voldoende verlichting. De schakelaars van het toestel moeten goed zichtbaar zijn van een afstand van 1 meter.
- Trekt altijd de stekker van de verwarming uit het stopcontact, wanneer u het toestel niet gebruikt. Laat het toestel nooit onbeheerd achter terwijl het in gebruik is, maar schakel het uit en trekt de stekker uit het stopcontact. Gebruik het toestel niet met een tijd klok of een ander toestel dat de verwarming automatisch inschakelt.
- Gebruikte verwarming niets met een externe spanningsregelaar zoals een dimmer, snelheidsregelaar, enz. Hierdoor ontstaat een elektrisch risico.
- Controleer dat het snoeren niet over (scherpe) randen hangt, dat er geen knikken inzitten, dat het niet in contact komt met hete oppervlakken. Wind het snoer niet rond het toestel.
- Laat het koord niet over een werkblad hangen waar kinderen er gemakkelijk aan kunnen trekken.
- Steek geen vingers of vreemde voorwerpen in het rooster, terwijl het toestel aanstaat.
- Laat het apparaat niet onbeheerd achter wanneer het in gebruik is.
- De verwarming is niet bedoeld voor gebruik in badkamers, wasruimtes of dergelijke locaties binnenshuis, plaats de verwarming nooit op een plaats waar het toestel in een badkuip of in een andere waterbak kan vallen.
- Er kan geen aansprakelijkheid worden aanvaard voor schade die wordt veroorzaakt door het niet naleven van deze instructies of door ander niet passend gebruik of verkeerde behandeling.
- Dit apparaat kan worden gebruikt door kinderen van 8 jaar en ouder en personen met verminderde fysieke, sensorische of mentale vermogens of gebrek aan ervaring en kennis, mits ze onder toezicht staan of instructies hebben gekregen over het veilig gebruiken van het apparaat en de gevaren begrijpen. Betrokken kinderen mogen niet met het apparaat spelen. Reiniging en gebruikersonderhoud mogen niet zonder toezicht door kinderen worden uitgevoerd.
- Als het toestel om welke reden dan ook scheuren of breuken laat zien, of als u een beschadiging of onderbreking van de aluminium behuizing of een ander onderdeel vaststelt, schakel het toestel dan onmiddellijk uit en trek de stekker uit het stopcontact.
- Als het netsnoer op welke manier dan ook beschadigd is, moet het worden vervangen door de fabrikant of servicemedewerkers of andere gekwalificeerde personen zodat risico's worden voorkomen.
- Voor: oververhitting van dit apparaat, houd luchtinlaten en -uitlaten schoon en vrij van alles wat de openingen zou kunnen blokkeren. Controleer van tijd tot tijd alle inlaten en uitlaten, zodat u zeker weet dat er zich geen vuil of stof in heeft verzameld. **DEK HET TOESTEL NIET AF.** Het waarschuwingslabel met de tekst dat het toestel niet mag worden afgedekt, moet ook na de installatie op een duidelijk zichtbare plaats worden geplakt: het mag niet op de achterzijde zitten.
- Delen van de verwarming kunnen warmer worden dan 200°C, contact met de verwarmingsbuis, reflector of metalen delen dicht bij de verwarmingsbuis, kan ernstige **BRANDWONDEN** veroorzaken. Voorkom brandwonden, let erop dat u niet het hete oppervlak met de blote huid aanraakt.
- Plaats **NOOIT** uw handen onder de verwarmingselementen. Laat het verwarmingselement **ALTIJD** 10 minuten afkoelen, voordat u de verwarmingsbuis of delen dicht daarbij aanraakt.
- Berg niet brandbare vloeistoffen of materialen, zoals verf, petroleum, gastanks, enz. in de onmiddellijke nabijheid van het toestel. Gebruik het toestel niet in een brandbare atmosfeer, zoals in de buurt van brandbare gastanks, gasbuizen of spuitbussen. Gevaar voor explosie en brand!
- Dit product bevat materialen die kunnen worden gerecycled. Gooi dit product niet weg als ongesorteerd huishoudelijk afval. Neem contact

op met de plaatselijke autoriteiten voor het dichtstbijzijnde inzamelpunt.

**Elektrische veiligheid**



*Controleer altijd of de spanning van de stroomtoevoer overeenkomt met de spanning op het typeplaatje.*

- Gebruik de machine niet indien het netsnoer of de netstekker zijn beschadigd.
- Gebruik uitsluitend verlengkabels die geschikt zijn voor het vermogen van de machine met een minimale dikte van 1,5 mm<sup>2</sup>. Indien u een verlengkabelhaspel gebruikt, rol dan altijd de kabel volledig uit.

**2. TECHNISCHE INFORMATIE**

**Bedoeld gebruik**

Dit product is ontworpen als terrasverwarmer voor woonomgevingen. De kachel is bedoeld voor privé-tuinen of andere buitenruimtes in huis. De kachel mag niet worden gebruikt voor het verwarmen van een binnenruimte, voor gebruik als niet-huishoudelijke buitenverwarmer of voor het drogen van textiel of andere materialen. Deze kachel is niet uitgerust met een apparaat om de kamertemperatuur te regelen, dus gebruik deze kachel niet in ruimtes waar ze worden bewoond door personen die de kamer niet alleen kunnen verlaten, tenzij er constant toezicht wordt geboden. Het apparaat mag alleen worden gebruikt voor het voorgeschreven doel. Elk ander gebruik wordt als misbruik aangemerkt.

**TECHNISCHE SPECIFICATIES**

<b>Modelnr.</b>	<b>PH502AC-PH503AC</b>
Spanning	220 - 240 V ~
Frequentie	50-60 Hz
Vermogen	2000W
Vermogensinstellingen	1: 1000 W 2: 2000 W
Type verwarmingselement	Lamp met weinig schittering
Verwarmingstijd	1 seconde
Golflengte	0,78 - 1,4 micron
Straal efficiëntie	90%
Verwarmingafstand	4 - 5 m

Verwarming bereik	10 - 12m <sup>2</sup>
Kleurtemperatuur	1500 K
Oververhittingsbeveiliging	Ja
Elektronische zachte start	Ja
Beschermingsklasse tegen indringing	IP55
Beschermingsklasse	Klasse I
Gewicht	2.03 kg

**BESCHRIJVING**

De nummers in de tekst verwijzen naar de diagrammen op pagina 2-5.

1. Verwarming
2. Beschermend rooster
3. Ontvanger voor afstandsbediening
4. Voedingskabel
5. Aan/uit-schakelaar
6. Mode-knop
7. Aan Uit-schakelaar van afstandsbediening
8. Knop Vermogensniveau 1
9. Knop Vermogensniveau 2
10. Montagebeugel
11. Keilbout
12. Schroef met ringen
13. Moer
14. Bout

**3. ASSEMBLAGE**



*Deze verwarming moet worden geïnstalleerd door een vakbekwaam persoon, d.w.z. een bevoegd elektricien.*



*Koppel voor installatie de verwarming altijd los van de stroomvoorziening en laat het toestel afkoelen.*

**De verwarming installeren (Afb. A-N)**



*Monteer het toestel altijd met de bijgeleverde accessoires.*

Houd, voordat u met de installatie begint, rekening met het volgende:

- Plaats het toestel op een stevige en vlakke ondergrond.
- Het toestel moet zo worden gemonteerd dat er een vrije ruimte van 50 cm is tussen de verwarming en een plafond, tentdoek, enz. Er moet

ook ten minste 1,80 m ruimte zijn tussen de grond en de onderzijde van het toestel. Zie Afb. J en K. Het toestel mag nooit onder een hoek worden opgehangen!

- Zorg ervoor dat de voedingskabel goed wordt aangelegd en dat de kabel niet in contact komt met de reflector van de verwarming of in het verwarmde gebied ligt.
- Installeer de verwarming niet op een brandbaar oppervlak.
- Als de verwarming buiten moet worden gebruikt, is het zeer aan te bevelen een weersbestendig stopcontact te gebruiken.
- Controleer voor u gaat boren dat er geen draden of waterleidingen liggen in het gebied waar de verwarming moet worden geïnstalleerd.

Ga als volgt stapsgewijs te werk bij het installeren van de verwarming op een wand of op een plafond:

1. Het toestel wordt geleverd met toebehoren voor de montage, zoals wordt getoond in afbeelding C.
2. Boor in totaal 4 gaten volgens de afmetingen in afbeelding D. De diameter van de gaten moet dezelfde zijn als die van het anker: 8 mm. Boor gaten die ten minste 10 tot 15 mm dieper zijn dan de verwachte insteekdiepte. Controleer dat de gaten waterpas zijn en op exact dezelfde hoogte.
3. Maak de gaten schoon als er vuil in zit.
4. Stel de moer gelijk of met de bovenzijde van de keilbout (11), zoals stap 1 in afbeelding E laat zien.
5. Steek de keilbout (11) in het gat in het basismateriaal, zoals wordt getoond in stap 2 in afbeelding E. Klop met een hamer de keilbout zo ver dat de ring en de moer strak tegen het basismateriaal liggen.
6. Zet nu de montagebeugel (10) op de keilbouten (11) en monteer de beugel met de ring en de moer. Draai de moer handvast. Beide zoals wordt getoond in afbeelding F.
7. Zet met steeksleutel maat 10 het anker vast door de moer drie of vier hele slagen vast te zetten.
8. Monteer de overige 2 montagebeugels (10) op de buitenste gaten van de verwarming (1), zoals wordt getoond in afbeelding G.
9. Breng de verwarming met de gemonteerde beugels naar de montagebeugels die op de wand of het plafond zijn geplaatst. Voeg nu beide beugels samen met de bout (14) en de moer (13), zoals wordt getoond in afbeelding H.

10. Afbeelding I laat een op juiste wijze gemonteerde montagebeugel zien.
11. Houd rekening met de minimale afstanden, zoals in afbeeldingen J en K wordt getoond.
12. De verwarming kan worden afgesteld tot aan de maximale hoek, zoals wordt getoond in afbeelding K en L.
13. Steek de stekker van de terrasverwarming in een geaard stopcontact. Controleer van tevoren of de nominale spanning overeenkomt met die van het toestel.
14. Houd er rekening mee dat u de voedingskabel op de juiste wijze moet monteren, zoals wordt getoond in afbeelding M en N. Zet de kabel met tiewraps vast aan de montagebeugels als dat nodig is.

**Opmerking:** de verwarming kan ook op een statief of en metalen standaard worden gemonteerd. Volg voor het op juiste wijze monteren van de verwarming de instructies die bij de verwarming worden geleverd.

#### De afstandsbediening monteren (Afb. B)

- Keer de afstandsbediening (8) om en verwijder het batterijkapje.
- Plaats 2 alkalinebatterijen van het type AAA in de afstandsbediening (8), volg daarbij de instructies en let op de polariteit van de batterijen.
- Vervangen de batterijen op de wijze die hierboven wordt beschreven.

## 4. BEDIENING

#### In- / uitschakelen (afb. A, B)

De verwarming kan worden in- en uitgeschakeld met de afstandsbediening (8) of de modusknop (6). Voor gebruik moet de hoofdschakelaar (5) op de kachel eerst worden ingeschakeld.

#### Met de afstandsbediening

Mocht u de afstandsbediening niet in uw bezit hebben, neem dan contact op met de Vonroc klantenservice.

- Draai eerst de schakelaar (5) op de kachel naar de 'I' Aan-positie.
- Druk op de knop (9) op de afstandsbediening (8) om de kachel aan te zetten.
- Om de kachel uit te schakelen, drukt u nogmaals op de knop (9) op de afstandsbediening (8).

- Druk de schakelaar (5) op de kachel in de '0' uit-positie om uit te schakelen

**Opmerking:** Zorg ervoor dat u de afstandsbediening (8) in de richting van de ontvanger van de afstandsbediening (10) richt. Alle VONROC kachels en hun afstandsbedieningen gebruiken dezelfde frequentie, dus het is mogelijk om meerdere kachels te bedienen met slechts één afstandsbediening.

#### Met behulp van de modusknop

- Draai eerst de schakelaar (5) op de kachel naar de 'I' Aan-positie.
- Druk op de modusknop (1) om de verwarming in te schakelen op niveau 1 - 1000W vermogensniveau.
- Druk nogmaals op de modusknop (1) om de verwarming in te schakelen met een vermogensniveau van 2 - 2000W.
- Om de verwarming uit te schakelen, drukt u nogmaals op de modusknop (1).

#### **Het vermogensniveau aanpassen (Afb. A, B)**

Het verwarmingsvermogen kan op twee niveaus worden aangepast:

- Niveau 1 - 1000W (50% vermogen)
- Niveau 2 - 2000W (100% vermogen)

Het gewenste niveau kan worden geselecteerd met de afstandsbediening door op de knop Power level 1 (8) of de knop Power level 2 (9) te drukken. Het niveau kan ook worden geselecteerd met behulp van de modusknop (6), zie hoofdstuk 'in- / uitschakelen'.

## 5. ONDERHOUD



*Controleer altijd dat het toestel niet op de stroomvoorziening is aangesloten wanneer u onderhoud aan het mechanisme uitvoert.*



*VOORZICHTIG: Risico op een elektrische schok. Maak de verwarming NIET open en probeer NIET zelf de verwarming te repareren.*

Maak de behuizing van het apparaat regelmatig schoon met een zachte doek, bij voorkeur na ieder gebruik. Controleer of de ventilatie-openingen vrij zijn van stof en vuil. Verwijder hardnekkig vuil met een zachte doek vochtig gemaakt met een zeepoplossing.

Gebruik geen oplosmiddelen zoals benzine, alcohol, ammoniak, enzovoorts. Chemicaliën zoals deze kunnen de synthetische componenten beschadigen.

- GEBRUIK GEEN alcohol, benzine, schuurpoeders, meubelwas of ruwe borstels voor het reinigen van de verwarming. Dit kan beschadiging en aantasting van het oppervlak van de verwarming tot gevolg hebben.
- Dompel de verwarming NIET onder in water.
- Gebruik de verwarming pas weer deze geheel droog is.

#### **LET OP:**

- Koppel voor u de verwarming gaat schoonmaken, het toestel altijd los van de stroomvoorziening en laat het afkoelen.
- Als er zich een stof of vuil heeft verzameld binnen in het toestel of rond het verwarmings-element, laat het toestel dan reinigen door een gekwalificeerde servicemonteur. Schakel de verwarming niet wanneer het toestel in deze staat is.
- Het enige onderhoud dat de verwarming vraagt is het schoonmaken van de oppervlakken aan de buitenzijde.
- Raak het verwarmingselement niets met blote vingers aan, omdat resten van uw hand de levensduur van de lamp kunnen bekorten. Heeft u het element per ongeluk aangeraakt, verwijder dan de vingerafdrukken met een zachte doek die u vochtig heeft gemaakt met spiritus of alcohol.
- Probeer niet elektrische of mechanische functies op deze verwarming te repareren of af te stellen.
- De verwarming bevat geen onderdelen waaraan de gebruiker onderhoud kan uitvoeren. Als dit product beschadigd raakt of niet meer werkt, moet het worden teruggestuurd naar de fabrikant of zijn servicemonteur.
- Als het netsnoer beschadigd is, moet het worden vervangen door de fabrikant, een servicemonteur of iemand met een dergelijke kwalificatie, zodat risico's worden voorkomen.

#### **Opslag**

Berg de verwarming op in een koele, droge opslagruimte, wanneer u het toestel niet gebruikt, zodat er zich geen vuil en stof op kunnen verzamelen. Gebruik de verpakking voor opslagdoeleinden.

### Oplossen van problemen

Als de verwarming niet werkt, controleer dan het volgende voordat u een verzoek indient voor reparatie of service:

- Controleer of de stekker van het netsnoer wel in het stopcontact is gestoken, als dat niet het geval is, steek de stekker in het stopcontact.
- Controleer of er spanning op het stopcontact staat.
- Controleer dat de Aan/uit-schakelaar in de juiste stand staat, is dat niet het geval, schakel dan de verwarming in.

andere garanties expliciet of impliciet welke verder gaan dan deze garantie, inclusief impliciete garanties van verkoopbaarheid en geschiktheid voor bepaalde doeleinden. In geen enkel geval kan VONROC aansprakelijk worden gesteld voor incidentele schade of gevolgschade. Reparaties van dealers zijn gelimiteerd tot de reparatie of vervanging van defecte producten of onderdelen.

**Het product en de gebruikershandleiding zijn onderhevig aan wijzigingen. Specificaties kunnen zonder opgaaf van redenen worden gewijzigd.**

### MILIEU



*Defecte en/of afgedankte elektrische of elektronische gereedschappen dienen ter verwerking te worden aangeboden aan een daarvoor verantwoordelijke instantie.*

#### Uitsluitend voor EG-landen

Werp elektrisch gereedschap niet weg bij het huisvuil. Conform de Europese Richtlijn 2012/19/EG voor Afgedankte Elektrische en Elektronische Apparatuur en de implementatie ervan in nationaal recht moet niet langer te gebruiken elektrisch gereedschap gescheiden worden verzameld en op een milieuvriendelijke wijze worden verwerkt.

### GARANTIE

VONROC producten zijn ontworpen volgens de hoogste kwaliteitsstandaarden en gegarandeerd vrij van defecten, zowel materieel als fabrieksfouten, tijdens de wettelijk vastgestelde garantieperiode vanaf de eerste aankoopdatum. Mocht het product tijdens deze periode gebreken vertonen veroorzaakt door defecte materialen en/of fabrieksfouten, neem dan rechtstreeks contact op met VONROC.

De volgende situaties vallen niet onder de garantie:

- Er zijn reparaties of aanpassingen aan de machine uitgevoerd, of er is een poging daartoe ondernomen, door een nietgeautoriseerd servicecentrum.
- Normale slijtage.
- De machine is misbruikt, verkeerd gebruikt of slecht onderhouden.
- Er zijn niet-originele reserveonderdelen gebruikt.

Dit vormt de enige garantie opgesteld door het bedrijf zowel expliciet als impliciet. Er bestaan geen

## 1. CONSIGNES DE SÉCURITÉ

En plus des avertissements de sécurité suivants, veuillez également lire les avertissements de sécurité additionnels ainsi que les instructions. Le non-respect des avertissements de sécurité et des instructions peut entraîner une décharge électrique, un incendie et/ou des blessures graves. Veuillez conserver les avertissements de sécurité et les instructions pour consultation ultérieure.

Les symboles suivants sont utilisés dans le manuel d'utilisation ou apposés sur le produit:



*Lisez le manuel d'utilisation.*



*Indique un risque de blessure, de décès ou de détérioration de l'appareil de chauffage en cas de non-respect des consignes de ce manuel.*



*Risque de décharge électrique.*

*Attention surface chaude!*



*Ne couvrez pas l'appareil.*



*Symbole de mise à la terre. Cet appareil est classé dans la classe de protection I et doit être connecté à une prise secteur mise à la terre.*



*Le produit est conforme aux normes de sécurité en vigueur spécifiées dans les directives européennes.*

### CONSIGNES GÉNÉRALES DE SÉCURITÉ

**CES INSTRUCTIONS DOIVENT ÊTRE LUES AVEC ATTENTION ET CONSERVÉES POUR POUVOIR S'Y RÉFÉRER ULTÉRIEUREMENT, Le fabricant ne saurait être tenu responsable pour un quelconque dommage consécutif au non-respect de ces instructions.**

### CONSIGNES DE SÉCURITÉ IMPORTANTES

À LIRE AVEC ATTENTION - L'appareil de chauffage à infrarouge a été conçu pour fonctionner en toute sécurité. Cependant, l'installation, la maintenance et l'utilisation de l'appareil de chauffage peuvent être dangereuses. Le respect des procédures qui suivent permet de réduire le risque d'incendie, de décharge électrique, de blessure et il permet de

réduire la durée de l'installation à son minimum. Veuillez à bien conserver ces consignes pour pouvoir vous y référer dans le futur.

- Veuillez à lire toutes les consignes avant d'utiliser ce radiateur.
- Sortez l'appareil de son emballage et contrôlez son bon état avant de l'utiliser.
- Ne laissez pas les enfants jouer avec les morceaux d'emballage (les sacs en plastique par exemple).
- Vérifiez la tension électrique de votre habitation afin de confirmer qu'elle correspond à la tension nominale de l'appareil de chauffage mentionnée.
- Contrôlez soigneusement le cordon électrique et la prise avant l'utilisation, afin de garantir qu'ils sont en bon état.
- Avant de débrancher le cordon électrique, veuillez à éteindre l'appareil et avant de mettre l'appareil en marche, veuillez à ce que vos mains soient sèches, afin d'éviter toute décharge électrique.
- Veuillez à n'utiliser le chauffage de terrasse qu'à l'extérieur ou dans un lieu spacieux et ouvert. Veuillez à éloigner tous les objets inflammables comme les barnums, les bâches, les parasols, les branches, les meubles, les rideaux, le papier, etc. du passage de l'appareil de chauffage (à au moins 1 mètre, même si ce ne sont pas des objets fixes !). La distance avec les murs ne doit pas être inférieure à 1 mètre. La tête doit se trouver à au moins 180 cm au-dessus du sol. Si vous placez l'appareil sous un toit, un espace d'au moins 50 cm doit séparer le chapeau du chauffage de terrasse et le plafond (matériau non-inflammable). Si le toit est en matériau inflammable (bois, plastique, bâche, etc.) la distance doit au moins être égale à 1 mètre. Veuillez à toujours disposer d'une bonne ventilation !
- Ne positionnez pas l'appareil sur ou sous une prise murale (et jamais à proximité immédiate).
- Le chauffage de terrasse n'a été conçu que pour un usage domestique. Vous ne devez donc pas l'utiliser sur des chantiers de construction, dans des serres, des granges ou des écuries, etc., même si ces endroits sont largement découverts. Ces endroits renferment trop de matières inflammables.
- N'utilisez pas ce chauffage de terrasse comme moyen de chauffage dans des saunas ou com-

- me chauffage permanent.
- N'utilisez pas ce chauffage de terrasse dans un chenil ou dans tout autre endroit accueillant des animaux.
  - Ne l'utilisez pas à proximité d'une baignoire, d'une piscine ou de tout autre point d'eau. Bien que l'appareil soit protégé contre les éclaboussures, vous devez rester vigilant avec l'eau. Veillez à ce qu'il ne tombe pas dans l'eau et ne l'exposez pas à de puissants jets d'eau. Ne touchez pas l'appareil avec les mains mouillées et ne l'installez pas à proximité immédiate d'une baignoire, de sanitaires, d'une piscine ou de tout autre point d'eau car cela représente un risque.
  - Afin de vous protéger d'une décharge électrique, n'immergez pas le cordon électrique ou la prise dans l'eau, ni dans aucun autre liquide.
  - N'insérez et ne laissez pénétrer aucuns corps étrangers dans les ouvertures de ventilation et d'échappement car cela pourrait occasionner une décharge électrique ou un incendie et endommager l'appareil de chauffage.
  - Veillez à ce que l'éclairage soit suffisant. Les interrupteurs de l'appareil doivent rester visibles à une distance de 1 mètre.
  - Veillez à toujours débrancher l'appareil de chauffage lorsqu'il n'est pas utilisé. Ne laissez jamais l'appareil sans surveillance lorsqu'il est en marche. Veillez à l'éteindre et le débrancher. N'utilisez pas de programmateur, de minuteur ou tout autre dispositif de mise en marche automatique avec l'appareil.
  - N'utilisez de régulateur de tension externe, comme un variateur ou un régulateur de vitesse, etc. avec l'appareil. Cela pourrait créer un risque électrique.
  - Veillez à ne pas faire pendre le cordon sur des bords (tranchants), à ne pas trop le plier et à ne pas le faire reposer sur des surfaces chaudes. N'enroulez pas le cordon autour de l'appareil.
  - Ne laissez pas le cordon pendre d'une table ou autre afin que les enfants ne puissent pas tirer dessus.
  - Veillez à ne pas mettre les doigts et à ne rien insérer dans la grille quand l'appareil est en marche.
  - Ne laissez pas l'appareil sans surveillance lorsqu'il est en marche.
  - Cet appareil de chauffage n'a pas été conçu pour être utilisé dans des salles de bains, des buanderies ou tout autre endroit similaire. N'installez jamais l'appareil de chauffage dans un endroit d'où il pourrait tomber, soit dans une baignoire, soit dans un autre contenant rempli d'eau.
  - Aucune responsabilité ne saurait être acceptée pour un quelconque dommage consécutif au non-respect de ces consignes ou à une quelle qu'autre utilisation ou manipulation incorrectes.
  - Cet appareil peut être utilisé par des enfants âgés de 8 ans et plus et des personnes ayant des capacités physiques, sensorielles ou mentales réduites ou un manque d'expérience et de connaissances s'ils ont reçu une supervision ou des instructions concernant l'utilisation de l'appareil en toute sécurité et comprennent les dangers impliqués. Les enfants ne doivent pas jouer avec l'appareil. Le nettoyage et l'entretien par l'utilisateur ne doivent pas être effectués par des enfants sans surveillance.
  - Si, pour une quelconque raison, l'appareil présente des fissures ou des cassures ou si vous détectez une quelconque imperfection ou un quelconque manque d'intégrité sur le boîtier en aluminium, éteignez immédiatement l'appareil et débranchez la prise électrique.
  - Si le cordon électrique est endommagé d'une quelconque façon, il doit être remplacé par le fabricant ou l'un de ses prestataires de services ou par une personne de même qualification, afin d'éviter tout risque.
  - Afin d'éviter toute surchauffe de cet appareil, gardez les arrivées et les sorties d'air propres et exemptes de tout ce qui pourrait les obturer. Contrôlez de temps en temps les arrivées et les sorties d'air afin de vérifier l'absence d'accumulation de saletés ou de poussière. NE PAS COUVRIR. Cette étiquette d'avertissement indiquant de ne pas couvrir l'appareil doit également être apposée à un endroit bien visible après l'installation. Elle ne doit pas se retrouver derrière l'appareil.
  - Certaines pièces de l'appareil peuvent dépasser 200°C, tout contact avec le tube chauffant, le réflecteur ou les pièces métalliques près du tube chauffant peuvent occasionner de graves BRÛLURES. Afin d'éviter les brûlures, ne touchez pas les surfaces chaudes à main nue.
  - Ne placez JAMAIS vos mains sous les éléments chauffants. Veillez à TOUJOURS laisser l'élément chauffant refroidir au moins 10 minutes avant



de toucher le tube chauffant ou les pièces à proximité.

- Veillez à ne jamais ranger de liquides inflammables ou des substances comme de la peinture, de l'essence, des bombones de gaz, etc. à proximité immédiate de l'appareil. N'utilisez pas l'appareil dans des environnements inflammables, près de bombones de gaz, de canalisations de gaz ou de bombes aérosols par exemple. Risque d'explosion et d'incendie !
- Ce produit est composé de matières recyclables. Ne jetez pas ce produit avec les déchets ménagers non triés. Contactez vos autorités locales pour savoir où le centre de collecter le plus proche se trouve.

### Sécurité électrique



*Vérifiez si la tension d'alimentation électrique correspond bien à celle de la plaque signalétique.*

- N'utilisez pas la machine si le câble secteur ou la fiche secteur est endommagé.
- Utilisez uniquement des rallonges adaptées à la puissance nominale de la machine et d'une section minimum de 1,5 mm<sup>2</sup>. Si vous utilisez une bobine de rallonge, déroulez toujours complètement le câble.

## 2. INFORMATIONS RELATIVES À LA MACHINE

### Utilisation conforme

Ce produit est conçu comme un chauffe-terrasse pour les environnements domestiques. Le radiateur est destiné aux jardins privés ou à d'autres espaces extérieurs de la maison. Le radiateur ne doit pas être utilisé pour chauffer un espace intérieur, pour une utilisation comme radiateur extérieur non domestique ou pour le séchage de textiles ou d'autres matériaux. Cet appareil de chauffage n'est pas équipé d'un dispositif de contrôle de la température ambiante. N'utilisez donc pas cet appareil dans des locaux occupés par des personnes incapables de quitter la pièce par elles-mêmes, à moins qu'une surveillance constante ne soit fournie. L'appareil doit être utilisé uniquement aux fins prescrites. Toute autre utilisation est considérée comme un cas d'abus.

## SPÉCIFICATIONS TECHNIQUES

N° de modèle	PH502AC-PH503AC
Tension	220-240 V ~
Fréquence	50-60 Hz
Puissance	2000W
Réglage puissance	1: 1000W 2: 2000W
Type d'élément chauffant	Lampe à faible éblouissement
Délai de chauffe	1 seconde
Longueur d'onde	0,78-1,4 microns
Efficacité du rayonnement	90%
Distance de chauffe	4-5m
Zone de chauffe	10-12m <sup>2</sup>
Température de couleur	1500 K
Protection contre la surchauffe	Oui
Démarrage électronique progressif	Oui
Indice de protection	IP55
Classe de protection	Classe I
Poids	2.03 kg

### DESCRIPTION

Les numéros dans le texte se rapportent aux schémas des pages 2-5.

1. Appareil de chauffage
2. Grille de protection
3. Récepteur pour la télécommande
4. Câble électrique
5. Interrupteur Marche/Arrêt
6. Bouton de mode
7. Interrupteur Marche/Arrêt Télécommande
8. Bouton Niveau de puissance 1
9. Bouton Niveau de puissance 2
10. Équerres de fixation
11. Cheville
12. Vis avec rondelles
13. Écrou
14. Boulon

### 3. MONTAGE



*Cet appareil de chauffage doit être installé par une personne compétente, un électricien qualifié par exemple.*



*Veillez à toujours débrancher l'appareil de chauffage de l'alimentation électrique et à le laisser refroidir avant de l'installer quelque part.*

#### Installer l'appareil de chauffage (Fig. A-N)



*Veillez à toujours installer l'appareil avec les accessoires qui sont fournis avec.*

Avant de commencer l'installation, veillez à respecter ce qui suit :

- Positionnez l'appareil sur une surface ferme et de niveau.
- L'appareil doit être installé de sorte qu'il reste un espace libre de 50 cm entre lui et le plafond, la toile de tente, etc. Il doit également rester au moins 1,80 m entre le sol et le dessous de l'appareil. Consultez les figures J et K. L'appareil ne doit jamais être accroché incliné !
- Veillez à ce que le câble d'alimentation électrique soit correctement installé, qu'il ne touche pas le réflecteur de l'appareil de chauffage et qu'il ne traîne pas dans la zone de chauffe.
- N'installez pas l'appareil de chauffage sur une surface inflammable.
- Si l'appareil de chauffage doit être utilisé à l'extérieur, l'utilisation d'une prise étanche est fortement préconisée.
- Avant de percer, contrôlez qu'il n'y a aucun câble et aucune canalisation dans la zone où l'appareil de chauffage doit être installé.

Pour installer l'appareil de chauffage au mur ou au plafond, respectez les étapes suivantes :

1. L'appareil est livré avec des accessoires de montage, comme illustré par la figure C.
2. Percez 4 trous selon les dimensions précisées par la figure D. Le diamètre du trou doit correspondre au diamètre de la cheville : 8 mm. Percez au moins 10 à 15 mm plus profond que l'encastrement prévu. Veillez à ce que les trous soient de niveau et exactement à la même hauteur.
3. Nettoyez les trous de tous les débris.
4. Positionnez l'écrou à fleur du haut de la cheville (11), comme illustré en étape 1 sur la figure E.

5. Insérez la cheville (11) dans le trou, comme illustré en étape 2 sur la figure E. À l'aide d'un marteau, enfoncez la cheville aussi loin que possible jusqu'à ce que la rondelle et l'écrou reposent parfaitement contre le mur/le plafond.
6. Installez ensuite l'équerre de fixation (10) sur les chevilles (11) et fixez-la avec la rondelle et l'écrou. Serrez l'écrou à la main. Comme illustré par la figure F.
7. Utilisez une clé de 10 pour fixer la cheville en tournant l'écrou de trois ou quatre tours complets.
8. Installez les 2 équerres de fixation restantes (10) sur les trous extérieurs de l'appareil de chauffage (1), comme illustré par la figure G.
9. Installez l'appareil de chauffage avec les deux équerres sur les équerres fixées au mur ou au plafond. Assemblez alors les deux équerres à l'aide du boulon (14) et de l'écrou (13), comme illustré par la figure H.
10. La figure I montre les équerres de fixation correctement assemblées.
11. Respectez les distances minimum recommandées, comme illustré par les figures J et K.
12. Il est possible de régler l'appareil de chauffage jusqu'à un angle maximum, comme illustré par les figures K et L.
13. Branchez le chauffage de terrasse dans une prise de courant reliée à la terre. Contrôlez en amont que la tension nominale correspond à la tension de l'appareil.
14. Pensez à installer le câble électrique correctement, comme illustré par les figures M et N. Utilisez des colliers pour fixer le câble sur les équerres de fixation au besoin.

**Remarque :** L'appareil de chauffage peut également être installé sur un trépied ou un montant métallique. Respectez alors les instructions fournies avec le trépied ou le montant pour installer l'appareil de chauffage correctement.

#### Assembler la télécommande (Fig. B)

- Retournez la télécommande (8) et retirez le cache-piles.
- Insérez 2 piles alcalines AAA dans la télécommande (8) en respectant les instructions et la polarité des piles.
- Le remplacement des piles est réalisé de la même manière que décrite ci-dessus.

## 4. FONCTIONNEMENT

### Mise en marche / arrêt (Fig. A, B)

Le chauffage peut être allumé et éteint à l'aide de la télécommande (8) ou du bouton de mode (6).

Avant utilisation, l'interrupteur d'alimentation (5) du radiateur doit d'abord être mis en marche.

### Utilisation de la télécommande

Si vous n'avez pas la télécommande en votre possession, veuillez contacter le service client de Vonroc.

- Commencez par mettre l'interrupteur (5) du radiateur en position «I» On.
- Appuyez sur le bouton (9) de la télécommande (8) pour allumer le chauffage.
- Pour éteindre le chauffage, appuyez à nouveau sur le bouton (9) de la télécommande (8).
- Appuyez sur l'interrupteur (5) du radiateur en position «O» Off pour éteindre

**Remarque:** assurez-vous de pointer la télécommande (8) en direction du récepteur de télécommande (10). Tous les radiateurs VONROC et leurs télécommandes utilisent la même fréquence, il est donc possible de contrôler plusieurs radiateurs avec une seule télécommande.

### Utilisation du bouton de mode

- Commencez par mettre l'interrupteur (5) du radiateur en position «I» On.
- Appuyez sur le bouton de mode (1) pour allumer le chauffage au niveau 1 - niveau de puissance 1000W.
- Appuyez à nouveau sur le bouton de mode (1) pour allumer le chauffage au niveau de puissance 2 - 2000W.
- Pour éteindre le chauffage, appuyez à nouveau sur le bouton de mode (1).

### Réglage du niveau de puissance (Fig. A, B)

La puissance du chauffage peut être réglée sur deux niveaux:

- Niveau 1 - 1 000 W (50% de puissance)
- Niveau 2 - 2000 W (puissance 100%)

Le niveau souhaité peut être sélectionné à l'aide de la télécommande en appuyant sur le bouton Niveau de puissance 1 (8) ou sur le bouton Niveau de puissance 2 (9). Le niveau peut également être sélectionné à l'aide du bouton de mode (6), voir chapitre «mise en marche / arrêt».

## 5. ENTRETIEN



*Veillez à ce que la machine ne soit pas branchée au réseau électrique si vous devez procéder à la maintenance du mécanisme.*



**ATTENTION :** *Risque de décharge électrique. Veillez à NE JAMAIS ouvrir l'appareil de chauffage ou tenter de le réparer vous-même.*

Nettoyez régulièrement le boîtier de la machine à l'aide d'un chiffon doux et de préférence après chaque utilisation. Assurez-vous que les fentes d'aération restent exemptes de poussière et de saletés. Supprimez les taches tenaces à l'aide d'un chiffon doux légèrement humidifié avec une solution savonneuse. N'utilisez aucun solvant, essence, alcool, ammoniac, etc. car ces produits chimiques peuvent endommager les composants synthétiques.

- N'utilisez PAS d'alcool, d'essence, de poudre abrasive, de produit de polissage ou de brosse dure pour nettoyer l'appareil de chauffage. Cela pourrait endommager et détériorer la surface de l'appareil de chauffage.
- Ne plongez pas l'appareil de chauffage dans l'eau
- Veillez à ce que l'appareil de chauffage soit parfaitement sec avant de l'utiliser.

### ATTENTION:

- Veillez à toujours débrancher l'appareil de chauffage de l'alimentation électrique et à le laisser refroidir avant de le nettoyer.
- Si l'appareil de chauffage a accumulé de la poussière ou des saletés à l'intérieur et autour de l'élément chauffant, il doit être nettoyé par un prestataire de service qualifié. Ne faites pas fonctionner l'appareil de chauffage dans ces conditions.
- La seule maintenance que nécessite l'appareil de chauffage est le nettoyage de ses surfaces extérieures.
- Ne touchez pas l'élément chauffant à mains nues car cela pourrait affecter la durée de vie de la lampe. Si vous le touchez accidentellement, retirez les traces de doigts à l'aide d'un chiffon doux légèrement humidifié avec un spiritueux ou un alcool mentholé.

- Ne tentez pas de réparer ou de régler le fonctionnement électrique ou mécanique de cet appareil de chauffage.
- L'appareil de chauffage ne contient aucune pièce réparable par l'utilisateur. Si l'appareil subit un dommage ou une panne, il doit être retourné au fabricant ou à son prestataire de service.
- Les cordons d'alimentation endommagés doivent être remplacés par le fabricant ou l'un de ses prestataires de service ou par une personne de même qualification, afin d'éviter tout risque.

### Rangement

Veillez à ranger l'appareil de chauffage dans un endroit, frais et sec lorsqu'il n'est pas utilisé, afin d'empêcher toute accumulation de poussière et de saletés. Utilisez le carton d'emballage pour le ranger.

### Dépannage

Si l'appareil de chauffage ne fonctionne plus, contrôlez ce qui suit avant de faire appel à un service de réparation :

- Contrôlez que le cordon électrique est bien branché dans une prise de courant, si c'est le cas
- Contrôlez que l'électricité arrive bien au fusible principal
- Assurez-vous que les interrupteurs sont bien en position Marche, choisissez un niveau de réglage

## ENVIRONNEMENT



*Les équipements électroniques ou électriques défectueux ou destinés à être mis au rebut doivent être déposés aux points de recyclage appropriés.*

### Uniquement pour les pays de l'UE

Ne jetez pas les outils électriques avec les déchets domestiques. Selon la Directive européenne 2012/19/CE relative aux déchets d'équipements électriques et électroniques et sa mise en œuvre dans le droit national, les outils électriques hors d'usage doivent être collectés séparément et mis au rebut de manière écologique.

## GARANTIE

Les produits VONROC sont développés aux plus hauts standards de qualité et ils sont garantis contre les défauts de pièces et de main d'oeuvre pendant la durée légale stipulée à partir de la date d'achat d'origine du produit. En cas d'une quelconque panne du produit pendant cette durée qui serait due à un défaut matériel et/ou de main d'oeuvre, contactez directement VONROC.

Les circonstances suivantes ne sont pas prises en charge par la garantie:

- Des réparations ou altérations ont été effectuées ou tentées sur la machine par un centre de réparation non agréé.
- L'usure normale.
- L'outil a été maltraité, mal utilisé ou mal entretenu.
- Des pièces détachées non d'origine ont été utilisées.

Ceci constitue l'unique garantie accordée par la société explicitement ou implicitement. Il n'existe aucune autre garantie, explicite ou implicite, qui peut s'étendre au delà du contenu ici présent, y compris les garanties marchandes ou d'adaptation à des fins particulières. En aucun cas VONROC ne sera tenu responsable de dommages accidentels ou consécutifs. Les solutions proposées par les revendeurs devront se limiter à la réparation ou le remplacement des éléments ou pièces non conformes.

**Le produit et le manuel d'utilisation sont sujets à modifications. Les spécifications peuvent changer sans préavis.**

## 1. INSTRUCCIONES DE SEGURIDAD

Lea las advertencias de seguridad, las advertencias de seguridad adicionales y las instrucciones adjuntas. De no respetarse las advertencias de seguridad y las instrucciones, podrían producirse descargas eléctricas, incendios y/o lesiones graves. Conserve las advertencias de seguridad y las instrucciones para su posterior consulta.

Los siguientes símbolos se utilizan en el manual de usuario o en el producto:



*Lee el manual del usuario.*



*Denota riesgo de lesiones corporales, muerte o daños al calefactor en caso de incumplimiento de las instrucciones del presente manual.*



*Riesgo de choque eléctrico.*

*Precaución: superficie caliente.*



*No cubra el dispositivo.*



*Símbolo de puesta a tierra. Este aparato está clasificado como clase de protección I y debe conectarse a una toma de corriente con toma de tierra.*



*El producto es conforme con las normas de seguridad vigentes en las Directivas Europeas.*

### GENERAL SAFETY WARNINGS

**ESTAS INSTRUCCIONES DEBEN LEERSE CUIDADOSAMENTE Y CONSERVARSE PARA SU FUTURA CONSULTA. El fabricante no se hace responsable de los daños causados por el incumplimiento de estas instrucciones.**

### INSTRUCCIONES DE SEGURIDAD IMPORTANTES

LEER CUIDADOSAMENTE - El calefactor de infrarrojos ha sido diseñado para un funcionamiento seguro. A pesar de ello, la instalación, el mantenimiento y el funcionamiento del calefactor pueden ser peligrosos. Si se respetan los siguientes procedimientos, se reduce el riesgo de incendio, descarga eléctrica y lesiones personales y se reduce al mínimo el tiempo de instalación. Guarde estas instrucciones para futuras consultas.

- Lea todas las instrucciones antes de usar el calefactor.
- Saque la unidad del embalaje y compruebe que esté en buenas condiciones antes de usarla.
- No deje que los niños jueguen con las partes del embalaje (como las bolsas de plástico).
- Compruebe el voltaje de la casa para asegurarse de que coincida con la especificación de funcionamiento del calefactor.
- Compruebe atentamente el cable de alimentación y el enchufe antes del uso, para asegurarse de que no estén dañados.
- Antes de desenchufar el cable de alimentación, apague la unidad y, cuando la encienda, asegúrese de tener las manos secas, para evitar una descarga eléctrica.
- Use el calefactor de terrazas solo al aire libre o en un espacio abierto amplio. Mantenga todos los objetos inflamables como lonas, sombrillas, ramas, muebles, cortinas, papel, etc., alejados del dispositivo (a por lo menos 1 metro, incluso si son objetos no estacionarios). Debe estar a por lo menos 1 metro de distancia de las paredes. La pantalla debe estar situada al menos a 180 cm del suelo. Si coloca el dispositivo debajo de un techo, debe haber un espacio de por lo menos 50 cm entre la parte superior del calefactor de terrazas y el techo (no inflamable). Con un techo inflamable (madera, plástico, lona, etc.) la distancia debe ser de por lo menos 1 metro. ¡Asegure siempre una buena ventilación!
- No coloque el dispositivo justo por encima o por debajo de un enchufe de pared (no muy cerca).
- El calefactor de terrazas ha sido concebido solo para uso doméstico. Por lo tanto, no debe usarse en obras de construcción, en invernaderos, graneros, establos, etc., aunque sean muy abiertos. Suelen tener demasiados materiales inflamables.
- No use este calefactor de terrazas como calefactor de saunas o como calefactor permanente de espacios o habitaciones.
- No use este calefactor de terrazas en casetas de perros ni en ningún otro lugar donde haya animales.
- No lo utilice cerca o en las inmediaciones de bañeras, piscinas o cualquier otro depósito de líquidos. A pesar de que el dispositivo es a prueba de salpicaduras, hay que tener cuidado con el agua. Asegúrese de que no se caiga en el agua y no lo exponga a chorros de agua potentes. No toque el dispositivo con las manos húmedas ni

lo coloque en áreas inmediatamente próximas a baños, lavabos, piscinas u otro suministro de agua, ya que es peligroso.

- Para protegerse contra las descargas eléctricas, no sumerja el cable o el enchufe en agua ni en ningún otro líquido.
- No introduzca ni deje entrar objetos extraños en ninguna abertura de ventilación o de salida pues pueden ocasionarse descargas eléctricas, incendios o daños en el calefactor.
- Compruebe que haya suficiente luz. Los interruptores del dispositivo deben resultar bien visibles desde una distancia de 1 metro.
- Desenchufe siempre el calefactor cuando no lo use. Nunca deje el dispositivo sin supervisión cuando esté en uso, apáguelo y desenchúfelo. No use el dispositivo con un programador, temporizador o cualquier otro dispositivo que lo encienda automáticamente.
- No use el calefactor con un regulador de tensión externo, como un regulador de intensidad, un regulador de velocidad, etc. Esto produce un peligro eléctrico.
- Compruebe que el cable no cuelgue sobre aristas afiladas, no haga curvas pronunciadas y no toque superficies calientes. No enrolle el cable alrededor del dispositivo.
- No deje sobresalir el cable de la encimera, donde pueda ser tirado fácilmente por los niños.
- No ponga los dedos ni objetos extraños en la rejilla durante el funcionamiento.
- Nunca deje el aparato sin vigilancia cuando esté funcionando.
- Este calefactor no ha sido diseñado para ser utilizado en baños, lavanderías y lugares interiores similares. Nunca coloque el calefactor donde pueda caerse en una bañera u otro recipiente de agua.
- No asumiremos responsabilidad alguna por los daños causados por el incumplimiento de estas instrucciones o por cualquier otro uso o manejo indebido.
- Este aparato puede ser utilizado por niños a partir de 8 años y personas con capacidades físicas, sensoriales o mentales reducidas o con falta de experiencia y conocimiento si han recibido supervisión o instrucciones sobre el uso del aparato de forma segura y comprenden los peligros involucrados. Los niños no deben jugar con el aparato. Los niños no deben realizar la limpieza y el mantenimiento del usuario sin supervisión.
- Si por cualquier motivo el dispositivo se agrieta o se rompe o si nota alguna imperfección o anomalía en la carcasa de aluminio o en cualquier otra pieza, detenga inmediatamente el funcionamiento del dispositivo y saque el enchufe de la toma.
- Si el cable de alimentación se daña de cualquier modo, debe ser sustituido por el fabricante, sus centros de servicios u otras personas con cualificación similar, para evitar peligros.
- Para evitar el sobrecalentamiento de este aparato, mantenga las entradas y salidas de aire limpias y libres de cualquier elemento que pudiese causar una obstrucción. Compruebe periódicamente todas las entradas y salidas para asegurarse de que estén libres de toda acumulación de suciedad o polvo. **NO CUBRIR EL DISPOSITIVO.** La etiqueta de advertencia de no cubrir el dispositivo también debe colocarse en un lugar claramente visible después de la instalación. No debe colocarse en la parte posterior.
- Algunas piezas del calefactor pueden superar los 200 °C, por lo tanto, el contacto con el tubo calefactor, el reflector o las piezas metálicas cercanas al tubo calefactor puede causar **QUEMADURAS** graves. Para evitar quemaduras, no toque con la piel desnuda la superficie caliente.
- **NUNCA** coloque las manos debajo de los elementos calefactores. **SIEMPRE** deje que el elemento calefactor se enfríe durante por lo menos 10 minutos antes de tocar el tubo calefactor o las piezas próximas.
- No guarde ningún líquido o material inflamable, como pintura, gasolina, depósitos de gas, etc., cerca del dispositivo. No utilice el dispositivo en ambientes inflamables, como depósitos de combustible cercanos, tubos de gas o botes de aerosol. ¡Peligro de explosión e incendio!
- Este producto contiene materiales reciclables. No elimine este producto como residuo doméstico sin clasificar. Póngase en contacto con las autoridades locales para conocer el punto de recogida más cercano.

#### Seguridad eléctrica



*Compruebe siempre que la tensión del suministro eléctrico corresponda con la tensión de la placa de características.*

- No utilice la máquina si el cable o el enchufe eléctrico han sufrido daños.

- Utilice únicamente cables alargadores que sean adecuados para la potencia nominal de la máquina con un grosor mínimo de 1,5 mm<sup>2</sup>. Si utiliza un cable alargador en rollo, desenrolle totalmente el cable.

## 2. INFORMACION DE LA MAQUINA

### Uso previsto

Este producto está diseñado como un calentador de patio para ambientes domésticos. El calentador está diseñado para jardines privados u otras áreas al aire libre en el hogar. El calentador no se puede usar para calentar un espacio interior, como un calentador de espacio exterior no doméstico o para secar textiles u otros materiales. Este calentador no está equipado con un dispositivo para controlar la temperatura de la habitación, por lo que no lo use en espacios donde estén ocupados por personas que no pueden salir de la habitación por sí mismas, a menos que se proporcione una supervisión constante. El dispositivo debe utilizarse únicamente para el propósito prescrito. Cualquier otro uso se considera un caso de mal uso.

### ESPECIFICACIONES TECNICAS

Modelo n.º	PH502AC-PH503AC
Voltaje	220-240 V ~
Frecuencia	50-60 Hz
Potencia	2000 W
Ajuste de potencia	1: 1000 W 2: 2000 W
Tipo de elemento calefactor	Lámpara de bajo brillo
Tiempo de calentamiento	1 segundo
Longitud de onda	0.78-1.4 micrones
Eficiencia radiante	90 %
Distancia de calentamiento	4-5 m
Área de calentamiento	10-12 m <sup>2</sup>
Temperatura de color	1500 K
Protección contra sobrecalentamiento	Sí
Arranque electrónico suave	Sí
Clase de protección de entrada	IP55
Clase de protección	Clase I
Peso	2.03 kg

### DESCRIPCION

Los números del texto se refieren a los diagramas de las página 2-5.

- Calefactor
- Rejilla protectora
- Receptor del mando a distancia
- Cable de alimentación
- Interruptor de encendido/apagado
- Botón de modo
- Interruptor de encendido/apagado del mando a distancia
- Botón de nivel de potencia 1
- Botón de nivel de potencia 2
- SopORTE de montaje
- Pernos de anclaje
- Tornillo con arandelas
- Tuerca
- Perno

## 3. MONTAJE



*Este calefactor debe ser instalado por una persona competente, es decir, un electricista cualificado.*



*Desconecte siempre el calefactor del suministro eléctrico y deje que se enfríe antes de la instalación.*

### Instalación del calefactor (Fig. A-N)



*Monte siempre el dispositivo con los accesorios suministrados.*

Antes de iniciar la instalación, tenga en cuenta lo siguiente:

- Coloque el dispositivo sobre una superficie firme y nivelada.
- El dispositivo debe montarse de modo tal que queden 50 cm libres entre el calefactor y el techo, la lona de la carpa, etc. También debe quedar por lo menos 1,80 m entre el suelo y la parte inferior del dispositivo. Consulte las Figs. J y K. ¡El dispositivo nunca debe colgarse en una esquina!
- Compruebe que los cables de alimentación estén bien montados, que no entren en contacto con el reflector del calefactor y que no atraviesen la zona calefaccionada.
- No coloque el calefactor sobre una superficie inflamable.

- Si el calefactor se va a usar en un lugar exterior, se recomienda una toma a prueba de intemperie.
- Antes de perforar compruebe que no haya cables o tubos de agua en el área donde vaya a instalar el calefactor.

Para instalar el calefactor en una pared o un techo, siga los pasos que se indican a continuación:

1. El dispositivo se suministra con los accesorios de montaje, como se muestra en la Fig. C.
2. Perfore un total de 4 orificios usando las dimensiones de la Fig. D. El diámetro de los orificios debe ser igual al diámetro del anclaje: 8 mm. Perfore por lo menos de 10 a 15 mm más profundamente que la incrustación deseada. Asegúrese de que los orificios estén nivelados y exactamente a la misma altura.
3. Limpie los residuos que pudiesen haber quedado en los orificios.
4. Coloque la tuerca a ras con la parte superior del perno de anclaje (11), como se muestra en el paso 1 de la Fig. E.
5. Inserte el perno de anclaje (11) en el orificio del material de base, como se muestra en el paso 2 de la Fig. E. Con un martillo, inserte el perno de anclaje hasta que la arandela y la tuerca queden apretadas contra el material de base.
6. Después coloque el soporte de montaje (10) en los pernos de anclaje (11), y móntelo usando la arandela y la tuerca. Gire la tuerca con los dedos para apretarla. Ambas como se muestra en la Fig. F.
7. Con una llave de tamaño 10, fije el anclaje girando la tuerca tres o cuatro vueltas completas.
8. Monte los 2 soportes de montaje restantes (10) en los orificios exteriores del calefactor (1), como se muestra en la Fig. G.
9. Coloque el calefactor con los soportes ensamblados en los soportes montados en la pared o el techo. Ahora empareje ambos soportes con el perno (14) y la tuerca (13), como se muestra en la Fig. H.
10. En la Fig. I se muestra el montaje correcto del conjunto del soporte.
11. Tenga en cuenta las distancias mínimas que se muestran en las Figs. J y K.
12. El calefactor puede ajustarse hasta el ángulo máximo, como se muestra en las Figs. K y L.
13. Enchufe el calefactor de terrazas en una toma de corriente con puesta a tierra. Compruebe de antemano si el voltaje nominal coincide con el

del dispositivo.

14. Téngalo en cuenta para montar el cable de alimentación en modo correcto, como se muestra en las Figs. M y N. Si es necesario, utilice flejes o grapas para fijar el cable a los soportes de montaje.

**Nota:** el calefactor también puede montarse en un trípode o en un soporte de metal. Siga las instrucciones suministradas con el trípode o el soporte, para montar el calefactor correctamente.

#### Montaje del mando a distancia (Fig. B)

- De vuelta el mando a distancia (8) y sáquele la tapa del alojamiento de las pilas.
- Coloque 2 pilas alcalinas AAA en el mando a distancia (8) de acuerdo con las instrucciones y la polaridad de las pilas.
- Cambie las pilas como se muestra arriba.

## 4. FUNCIONAMIENTO

#### Encendido / apagado (Fig. A, B)

El calentador se puede encender y apagar con el control remoto (8) o el botón de modo (6). Antes de su uso, el interruptor de alimentación (5) del calentador debe encenderse primero.

#### Usando el control remoto

Si no tiene el control remoto en su poder, comuníquese con el servicio al cliente de Vonroc.

- Primero gire el interruptor (5) del calentador a la posición "I" encendido.
- Presione el botón (9) en el control remoto (8) para encender el calentador.
- Para apagar el calentador, presione nuevamente el botón (9) en el control remoto (8).
- Presione el interruptor (5) en el calentador a la posición "O" Off para apagar

**Nota:** Asegúrese de apuntar el control remoto (8) en la dirección del receptor del control remoto (10). Todos los calefactores VONROC y sus controles remotos utilizan la misma frecuencia, por lo que es posible controlar varios calefactores con un solo control remoto.

#### Usando el botón de modo

- Primero gire el interruptor (5) del calentador a la posición "I" encendido.
- Presione el botón de modo (1) para encender el



calentador en el nivel 1 - nivel de potencia de 1000W.

- Presione el botón de modo (1) nuevamente para encender el calentador en el nivel 2 - nivel de potencia de 2000W.
- Para apagar el calentador, presione nuevamente el botón de modo (1).

### Ajuste del nivel de potencia (Fig. A, B)

La potencia del calentador se puede ajustar en dos niveles:

- Nivel 1 - 1000W (50% de potencia)
- Nivel 2 - 2000W (100% de potencia)

El nivel deseado se puede seleccionar usando el control remoto presionando el botón Nivel de energía 1 (8) o el botón Nivel de energía 2 (9). El nivel también se puede seleccionar mediante el botón de modo (6), consulte el capítulo "encendido / apagado".

## 5. MANTENIMIENTO



*Compruebe siempre que la máquina no esté conectada a la red eléctrica cuando realice alguna operación de mantenimiento del mecanismo.*



**PRECAUCIÓN:** *Riesgo de descarga eléctrica. NO abra ni intente reparar el calefactor usted mismo.*

Limpie regularmente la carcasa del aparato con un paño suave, preferentemente después de cada uso. Compruebe que los orificios de ventilación estén libres de polvo y suciedad. Elimine la suciedad persistente utilizando un paño suave humedecido con agua y jabón. No use disolventes tales como gasolina, alcohol, amoníaco, etc. Tales productos químicos pueden dañar los componentes sintéticos.

- NO use alcohol, gasolina, polvos abrasivos, lustramuebles o cepillos ásperos para limpiar el calefactor. Ello puede dañar o deteriorar la superficie del calefactor.
- NO sumerja el calefactor en agua.
- Espere a que el calefactor se seque completamente antes de usarlo.

### ATENCIÓN:

- Desconecte siempre el calefactor del suministro eléctrico y deje que se enfríe antes de intentar limpiarlo.
- Si el calefactor ha acumulado polvo o suciedad en su interior o alrededor del elemento calefactor, debe ser limpiado por un agente de servicio cualificado. No utilice el calefactor en estas condiciones.
- El único mantenimiento necesario es la limpieza de las superficies externas del calefactor.
- No toque el elemento calefactor con los dedos desnudos, pues los residuos de su mano podrían afectar a la vida de la lámpara. Si la toca accidentalmente, quite las marcas de los dedos con un paño suave humedecido con alcohol o una bebida espirituosa mentolada.
- No intente reparar ni ajustar ninguna función eléctrica o mecánica de este calefactor.
- El calefactor no contiene piezas que puedan ser reparadas por el usuario. En caso de que el producto sufra daños o averías, debe ser enviado al fabricante o a su agente de servicio.
- Si el cable de alimentación se daña, debe ser sustituido por el fabricante, un agente de servicio u otra persona con una cualificación similar, para evitar peligros.

### Almacenamiento

Guarde el calefactor en un lugar fresco y seco cuando no lo utilice para evitar que se acumule el polvo y la suciedad. Utilice el cartón del embalaje para guardarlo.

### Solución de problemas

Si el calefactor no funciona, compruebe lo siguiente antes de solicitar la reparación o servicio:

- Compruebe si el cable de alimentación está enchufado en una toma de corriente, si no lo está, enchúfelo.
- Compruebe si el fusible principal tiene electricidad.
- Cerciórese de que los interruptores de alimentación estén encendidos. Si no lo están, elija un ajuste.

## MEDIOAMBIENTE



*Los aparatos eléctricos o electrónicos defectuosos y/o desechados deben recogerse en lugares de reciclado apropiado.*

### Solo para países de la Comunidad Europea

No elimine las herramientas eléctricas como residuos domésticos. De acuerdo con la Directiva europea 2012/19/CE sobre residuos de aparatos eléctricos y electrónicos, y su transposición a las legislaciones nacionales, las herramientas eléctricas que ya no se utilizan deben recogerse por separado y eliminarse en modo ecológico.

## CONDICIONES DE GARANTÍA

Los productos VONROC han sido desarrollados con los más altos estándares de calidad y VONROC garantiza que están exentos de defectos relacionados con los materiales y la fabricación durante el periodo legalmente estipulado, a contar desde la fecha de compra original. En caso de que el producto presente defectos relacionados con los materiales y/o la fabricación durante este periodo, póngase directamente en contacto VONROC.

La presente garantía se excluye en los siguientes casos:

- Si centros de servicios no autorizados han realizado o han intentado realizar reparaciones y/o alteraciones a la máquina.
- Si se ha producido un desgaste normal.
- Si la herramienta ha sido mal tratada o usada en modo impropio, o se ha realizado incorrectamente su mantenimiento.
- Si se han utilizado piezas de repuesto no originales.

La presente constituye la única garantía implícita y explícita que ofrece la compañía. No existen otras garantías explícitas o implícitas que excedan las citadas aquí, incluidas las garantías implícitas de comerciabilidad e idoneidad para una finalidad en especial. VONROC no será considerada responsable en ningún caso por daños incidentales o consecuentes. Los recursos a disposición de los distribuidores se limitan a la reparación o a la sustitución de las unidades o piezas no conformes.

**El producto y el manual de usuario están sujetos a variaciones. Las especificaciones pueden variarse sin previo aviso.**

## 1. ISTRUZIONI DI SICUREZZA

Leggere accuratamente gli avvisi di sicurezza, gli avvisi di sicurezza aggiuntivi e le istruzioni. La mancata osservanza degli avvisi di sicurezza e delle istruzioni potrebbe causare scosse elettriche, incendio e/o gravi lesioni. Mantenere gli avvisi di sicurezza e le istruzioni a portata di mano per future consultazioni.

I seguenti simboli sono utilizzati nel presente manuale utente o sul prodotto:



*Leggere il manuale per l'utente.*



*Indica il rischio di lesioni personali, perdita della vita o danni all'elettrodomestico in caso di mancata osservanza delle istruzioni contenute nel presente manuale.*



*Rischio di scosse elettriche.*

*Precaución: superficie caliente.*



*Non coprire il dispositivo.*



*Simbolo di messa a terra. Questo apparecchio è classificato come classe di protezione I e deve essere collegato a una presa di rete con messa a terra.*



*Il prodotto è conforme agli standard pertinenti in materia di sicurezza previsti dalla legislazione Europea.*

### REGOLE GENERALI DI SICUREZZA

**QUESTE ISTRUZIONI DEVONO ESSERE LETTE ATTENTAMENTE E CONSERVATE PER CONSULTAZIONI FUTURE, Il produttore non può essere ritenuto responsabile per eventuali danni causati dalla mancata osservanza delle presenti istruzioni.**

### ISTRUZIONI DI SICUREZZA IMPORTANTI

**LEGGERE ATTENTAMENTE** - Il riscaldatore a infrarossi è progettato per un funzionamento sicuro. Tuttavia, l'installazione, la manutenzione e il funzionamento del radiatore possono risultare pericolosi. L'osservanza delle seguenti procedure ridurrà il rischio di incendi, scosse elettriche, lesioni alle persone e ridurrà al minimo il tempo di installazione. Conservare le presenti istruzioni per uso futuro.

- Leggere tutte le istruzioni prima di utilizzare questo radiatore.
- Rimuovere l'unità dalla confezione e verificare che sia in buone condizioni prima dell'uso.
- Non lasciare che i bambini giochino con parti dell'imballaggio (come i sacchetti di plastica).
- Controllare la tensione domestica per assicurarsi che corrisponda alle specifiche nominali del radiatore.
- Controllare attentamente il cavo di alimentazione e la spina prima dell'uso, per assicurarsi che non siano danneggiati.
- Prima di scollegare il cavo di alimentazione, assicurarsi di spegnere l'alimentazione, quando si alimenta l'unità, assicurarsi di avere le mani asciutte per evitare scosse elettriche.
- Utilizzare il radiatore per terrazze esclusivamente all'aperto o in un ampio spazio aperto. Tenere tutti gli oggetti infiammabili come teloni, ombrelloni, rami, mobili, tende, carta ecc. a distanza da dispositivo (almeno 1 metro anche se si tratta di oggetti non fissi!). La distanza dalle pareti deve essere pari ad almeno 1 metro. La testa deve essere posizionata ad almeno 180 cm dal suolo. Se si posiziona il dispositivo sotto un tetto, deve esserci uno spazio di almeno 50 cm tra la calotta del radiatore per terrazze e il soffitto (non infiammabile). Con un tetto infiammabile (legno, plastica, telone ecc.), questa distanza deve essere di almeno 1 metro. Assicurare sempre una buona ventilazione!
- Non posizionare il dispositivo appena sopra o sotto una presa a muro (non nelle immediate vicinanze).
- Il radiatore per terrazze è destinato esclusivamente all'uso domestico. Pertanto, non è consigliabile utilizzarlo nei cantieri, nelle serre, nei fienili o nelle bancarelle ecc., anche se si tratta per lo più di spazi aperti. Solitamente sono presenti troppi materiali infiammabili in quei luoghi.
- Non utilizzare questo radiatore per terrazze per riscaldare saune o come riscaldamento permanente per spazi o ambienti chiusi.
- Non utilizzare questo radiatore per terrazze in un canile o in qualsiasi altro luogo in cui siano presenti animali.
- Non utilizzare vicino o nelle immediate vicinanze di una vasca da bagno o una piscina o qualsiasi fonte di liquidi. Nonostante il dispositivo sia a prova di schizzi, è necessario fare attenzione con l'acqua. Assicurarsi che non possa cadere in acqua e non esporlo a potenti getti d'acqua. Non toccarlo con le mani bagnate e non posizionare il dispositivo nell'area immediatamente attigua a una vasca da bagno, un bagno, una piscina o altra fonte d'acqua, poiché potrebbe risultare pericoloso.
- Per proteggersi dalle scosse elettriche, non immergere il cavo o la spina in acqua o in qualsiasi altro liquido.
- Non inserire né consentire l'ingresso di oggetti estranei nelle aperture di ventilazione o di scarico, poiché ciò potrebbe causare scosse elettriche, incendi o danni al radiatore.
- Assicurarsi che vi sia una quantità sufficiente di luce. Gli interruttori sul dispositivo devono essere adeguatamente visibili da una distanza di 1 metro.
- Scollegare sempre il radiatore quando non è in uso. Non lasciare mai il dispositivo incustodito quando è in uso; ricordarsi di spegnerlo e scollegarlo. Non utilizzare il dispositivo con un programmatore, un timer o qualsiasi altro dispositivo che accenda automaticamente il dispositivo.
- Non utilizzare il radiatore con un regolatore di tensione esterno come un commutatore, regolatore di velocità, ecc. Così facendo potrebbe insorgere un rischio elettrico.
- Assicurarsi che il cavo non penda su bordi (affilati), non formi curve sporgenti e non tocchi superfici calde. Non avvolgere il cavo attorno al dispositivo.
- Non lasciare che il cavo sporga dal piano di lavoro dove può essere facilmente tirato dai bambini.
- Non inserire le dita od oggetti estranei nella griglia durante il funzionamento.
- Non lasciare l'apparecchio incustodito quando è in uso.
- Questo radiatore non è destinato per l'uso in bagno, lavanderia e luoghi interni simili, non posizionare mai il radiatore dove potrebbe cadere in una vasca da bagno o in un altro contenitore d'acqua.
- Non può essere accettata alcuna responsabilità per eventuali danni causati dal mancato rispetto delle presenti istruzioni o da qualsiasi altro uso improprio o manomissione.
- Questo apparecchio può essere utilizzato da bambini di età pari o superiore a 8 anni e da persone con ridotte capacità fisiche, sensoriali o mentali o con mancanza di esperienza e conoscenza se sono stati supervisionati o istruiti sull'uso

dell'apparecchio in modo sicuro e comprendono i pericoli coinvolti. I bambini non devono giocare con l'apparecchio. La pulizia e la manutenzione dell'utente non devono essere eseguite da bambini senza supervisione.

- Se, per qualsiasi motivo, il dispositivo produce crepe o rotture, o se si riscontrano imperfezioni o interruzioni al corpo in alluminio o a qualsiasi altra parte, interrompere immediatamente il funzionamento del dispositivo e staccare la spina dalla presa.
- Se il cavo di alimentazione è danneggiato in qualsiasi modo, deve essere sostituito dal costruttore, da un suo rappresentante addetto all'assistenza o da altre persone con qualifica similare al fine di evitare rischi per la sicurezza.
- Per evitare il surriscaldamento di questo apparecchio, mantenere gli ingressi e le uscite dell'aria puliti e liberi da qualsiasi cosa che possa causarne il blocco. Controllare tutti gli ingressi e le uscite di tanto in tanto per assicurarsi che siano liberi da accumuli di polvere o sporcizia. **NON COPRIRLI.** L'etichetta di avvertenza di non coprire il dispositivo deve essere posta in un luogo ben visibile anche dopo l'installazione: non deve quindi trovarsi sul retro.
- Alcune parti del radiatore potrebbero superare i 200°C, il contatto con il tubo di riscaldamento, il riflettore o le parti metalliche vicino al tubo di riscaldamento può causare USTIONI gravi. Per evitare ustioni, non lasciare che la pelle nuda entri a contatto con la superficie incandescente.
- Non mettere MAI le mani sotto gli elementi riscaldanti. Lasciare SEMPRE raffreddare l'elemento riscaldante per almeno 10 minuti prima di toccare il tubo di riscaldamento o le parti adiacenti.
- Non conservare liquidi o materiali combustibili come vernice, benzina, serbatoi di gas ecc. nelle immediate vicinanze del dispositivo. Non utilizzare il dispositivo in ambienti infiammabili, come nei pressi di serbatoi di gas combustibili, tubi del gas o bombolette spray. Pericolo di esplosione e di incendio!
- Questo prodotto contiene materiali riciclabili. Non smaltire questo prodotto tra i rifiuti comunitari indifferenziati. Si prega di contattare le autorità locali per il punto di raccolta più vicino.

### Sicurezza elettrica



*Controllare sempre che la tensione di alimentazione corrisponda alla tensione indicata sulla targhetta delle caratteristiche.*

- Non utilizzare l'elettrotensile quando il cavo o la spina di alimentazione sono danneggiati.
- Utilizzare esclusivamente cavi di prolunga idonei per la potenza nominale dell'elettrotensile, con conduttori di sezione minima di 1,5 mm<sup>2</sup>. Quando si utilizza un cavo di prolunga con avvolgicavo, svolgere sempre completamente il cavo.

## 2. INFORMAZIONI RELATIVE ALL'ELETTROUTENSILE

### Destinazione d'uso

Questo prodotto è concepito come stufa da esterno per ambienti domestici. Il riscaldatore è destinato a giardini privati o altre aree esterne della casa. Il riscaldatore non può essere utilizzato per riscaldare uno spazio interno, per essere utilizzato come riscaldatore per ambienti esterni non domestico o per asciugare tessuti o altri materiali. Questa stufa non è dotata di un dispositivo per controllare la temperatura ambiente, quindi non usare questa stufa in spazi quando sono occupati da persone che non sono in grado di lasciare la stanza da sole, a meno che non sia fornita una supervisione costante. Il dispositivo deve essere utilizzato solo per lo scopo prescritto. Qualsiasi altro utilizzo è considerato un caso di uso improprio.

### DATI TECNICI

No. modello	PH502AC-PH503AC
Tensione	220-240 V ~
Frequenza	50-60 Hz
Potenza	2000W
Impostazioni di potenza	1: 1000 W 2: 2000 W
Tipo di elemento riscaldante	Lampada con assenza di riflesso
Tempo di riscaldamento	1 secondo
Lunghezza d'onda	0.78-1,4 micron
Efficienza radiante	90%
Distanza di riscaldamento	4-5m
Area di riscaldamento	10-12m <sup>2</sup>

Temperatura di colore	1500K
Protezione dal surriscaldamento	Sì
Soft start elettronico	Sì
Classe di protezione dagli ingressi	IP55
Classe di protezione	Classe I
Peso	2.03 kg

## DESCRIZIONE

I numeri che compaiono nel testo si riferiscono agli schemi riportati alle pagine 2-5.

1. Riscaldatore
2. Griglia protettiva
3. Ricevitore per il telecomando
4. Cavo di alimentazione
5. Interruttore di avvio/arresto
6. Pulsante modalità
7. Interruttore di accensione/spengimento del telecomando
8. Pulsante Potenza livello 1
9. Pulsante Potenza livello 2
10. Staffa di montaggio
11. Ancoraggio del manicotto
12. Vite con rondelle
13. Dado
14. Bullone

## 3. MONTAGGIO



*Questo radiatore deve essere installato da una persona competente, ad es. un elettricista qualificato.*



*Scollegare sempre il radiatore dalla rete elettrica e lasciarlo raffreddare prima dell'installazione.*

### Installazione del radiatore (Fig. A-N)



*Montare sempre il dispositivo con gli accessori in dotazione.*

Prima di iniziare l'installazione, tenere presente quanto segue:

- Posizionare il dispositivo su una superficie stabile e piana.
- Il dispositivo deve essere appeso in modo che vi siano 50 cm di spazio libero tra il radiatore e qualsiasi soffitto, tenda, telo, ecc. Deve inoltre

esserci almeno 1,80 m tra il pavimento e la parte inferiore del dispositivo. Fare riferimento alla Fig. J e K. Il dispositivo non deve mai essere sospeso ad angolo!

- Assicurarsi che il cavo di alimentazione sia ben montato e che non venga a contatto con il riflettore del radiatore o che non finisca nella zona riscaldata.
- Non installare il radiatore su una superficie infiammabile.
- Se il radiatore deve essere utilizzato all'esterno, si consiglia vivamente l'uso di una presa resistente agli agenti atmosferici.
- Prima di forare, assicurarsi che non ci siano cavi o tubi dell'acqua nella zona in cui deve essere installato il radiatore.

Per installare il radiatore su un muro o soffitto, seguire questi passaggi:

1. Il dispositivo viene fornito con gli accessori di montaggio come mostrato in figura C.
2. Praticare un totale di 4 fori utilizzando le dimensioni in figura D. Il diametro del foro deve avere lo stesso diametro del diametro dell'ancoraggio: 8mm. Forare almeno 10-15 mm più in profondità rispetto alla penetrazione prevista. Assicurarsi che i fori siano a livello ed esattamente alla stessa altezza.
3. Rimuovere eventuali detriti dai fori.
4. Posizionare il dado a filo con la parte superiore dell'ancoraggio del manicotto (11), mostrato come passaggio 1 nella figura E.
5. Inserire l'ancoraggio del manicotto (11) nel foro nel materiale di base, mostrato come passaggio 2 nella figura E. Utilizzando un martello, inserire l'ancoraggio del manicotto fino a quando la rondella e il dado non sono ben stretti contro il materiale di base.
6. Ora posizionare la staffa di montaggio (10) sugli ancoraggi del manicotto (11) e montarla utilizzando la rondella e il dado. Ruotare il dado fino a che non risulta stretto. Entrambi come illustrato nella figura F.
7. Utilizzare una chiave da 10 per fissare l'ancoraggio ruotando il dado da tre a quattro giri completi.
8. Montare le restanti 2 staffe di montaggio (10) sui fori esterni del radiatore (1), come mostrato nella figura G.
9. Portare il radiatore con le staffe assemblate alle staffe di montaggio montate sulla parete o sul

soffitto. Ora accoppiare entrambe le staffe con il bullone (14) e il dado (13), come mostrato nella figura H.

10. La Figura I mostra un gruppo di staffe di montaggio correttamente assemblato.
11. Tenere in considerazione le distanze minime come mostrato in figura J e K.
12. Il radiatore può essere regolato fino all'angolo massimo, come mostrato nelle figure K e L.
13. Collegare il radiatore per patio a una presa di corrente con messa a terra. Verificare in anticipo se la tensione nominale corrisponde a quella del dispositivo.
14. Tenere in considerazione di montare il cavo di alimentazione in modo corretto, come mostrato nella figura M e N. Se necessario, utilizzare dei tiranti per fissare il cavo alle staffe di montaggio.

**Nota:** il radiatore può anche essere montato su un treppiede o un supporto in metallo. Seguire le istruzioni fornite con il treppiede o il supporto per montare correttamente il radiatore.

#### Assemblaggio del telecomando (Fig. B)

- Capovolgere il telecomando (8) sul retro e rimuovere il coperchio della batteria.
- Inserire 2 batterie di tipo AAA/alcaline nel telecomando (8) rispettando le istruzioni e la polarità delle batterie.
- Sostituire le batterie come illustrato sopra.

## 4. FUNZIONAMENTO

### Accensione / spegnimento (Fig. A, B)

Il riscaldatore può essere acceso e spento utilizzando il telecomando (8) o il pulsante modalità (6). Prima dell'uso, l'interruttore di alimentazione (5) sulla stufa deve essere prima acceso.

#### Utilizzando il telecomando

Se non si possiede il telecomando, contattare il servizio clienti Vonroc.

- Prima ruotare l'interruttore (5) sul riscaldatore in posizione "I" acceso.
- Premere il pulsante (9) sul telecomando (8) per accendere la stufa.
- Per spegnere la stufa, premere nuovamente il pulsante (9) sul telecomando (8).
- Premere l'interruttore (5) sul riscaldatore in posizione "O" Off per spegnere

**Nota:** assicurarsi di puntare il telecomando (8) nella direzione del ricevitore del telecomando (10). Tutti i riscaldatori VONROC ei relativi telecomandi utilizzano la stessa frequenza, quindi è possibile controllare più riscaldatori con un solo telecomando.

#### Utilizzando il pulsante modalità

- Prima ruotare l'interruttore (5) sul riscaldatore in posizione "I" acceso.
- Premere il pulsante modalità (1) per accendere il riscaldatore al livello 1 - livello di potenza 1000W.
- Premere nuovamente il pulsante modalità (1) per accendere il riscaldatore al livello 2 - livello di potenza 2000W.
- Per spegnere il riscaldatore, premere nuovamente il pulsante modalità (1).

### Regolazione del livello di potenza (Fig. A, B)

La potenza del riscaldatore può essere regolata su due livelli:

- Livello 1 - 1000 W (50% di potenza)
- Livello 2 - 2000 W (100% di potenza)

Il livello desiderato può essere selezionato utilizzando il telecomando premendo il pulsante del livello di potenza 1 (8) o il pulsante del livello di potenza 2 (9). Il livello può essere selezionato anche utilizzando il pulsante modalità (6), vedere il capitolo "accensione / spegnimento".

## 5. MANUTENZIONE



*Assicurarsi sempre che la macchina non sia collegata alla rete elettrica quando si esegue una qualsiasi manutenzione del meccanismo.*



**ATTENZIONE:** *Rischio di scossa elettrica. NON aprire né tentare di riparare da soli il radiatore*

Pulire regolarmente il corpo dell'elettrodomestico con un panno morbido, preferibilmente dopo ogni uso. Assicurarsi che le prese d'aria siano libere da polvere e sporcizia. Rimuovere lo sporco particolarmente ostinato con un panno morbido inumidito con acqua e sapone. Non utilizzare solventi come benzina, alcol, ammoniaca, ecc. Le sostanze chimiche di questo tipo danneggiano i componenti sintetici.

- NON usare alcol, benzina, polveri abrasive, lucido per mobili o spazzole ruvide per pulire il radiatore. Ciò potrebbe causare danni o deterioramento alla superficie del radiatore.

- NON immergere il radiatore nell'acqua
- Attendere che il radiatore sia completamente asciutto prima dell'uso.

#### ATTENZIONE:

- Scollegare sempre il radiatore dalla rete elettrica e lasciarlo raffreddare prima di tentare di pulirlo.
- Se il radiatore ha accumulato polvere o sporizia all'interno dell'unità o attorno all'elemento riscaldante, far pulire l'unità da un tecnico dell'assistenza qualificato. Non utilizzare il radiatore in questa condizione.
- L'unica manutenzione richiesta è la pulizia delle superfici esterne del radiatore.
- Non toccare l'elemento riscaldante a mani nude, poiché eventuali residui presenti sulla mano potrebbero compromettere la durata della lampada. Se viene toccato accidentalmente, rimuovere le impronte con un panno morbido inumidito con alcol mentolato.
- Non tentare di effettuare la riparazione o regolazione delle funzioni elettriche o meccaniche di questo radiatore.
- Il radiatore non contiene parti riparabili dall'utente. Se il prodotto subisce danni o guasti, deve essere restituito al produttore o al suo rappresentante addetto all'assistenza.
- I cavi di alimentazione danneggiati devono essere sostituiti dal costruttore, da un suo rappresentante addetto all'assistenza o da altre persone con qualifica simile al fine di evitare rischi per la sicurezza.

#### Stoccaggio

Conservare il radiatore in un luogo fresco e asciutto quando non viene utilizzato per evitare l'accumulo di polvere e sporco. Utilizzare il cartone di imballaggio per lo stoccaggio.

#### Risoluzione dei problemi

In caso di mancato funzionamento del radiatore, controllare quanto segue prima di richiedere la riparazione o l'assistenza:

- Controllare che il cavo di alimentazione sia collegato a una presa elettrica, altrimenti collegarlo
- Controllare che l'elettricità del fusibile principale funzioni
- Assicurarsi che gli interruttori di alimentazione siano accesi. In caso contrario, scegliere un'impostazione

## AMBIENTE



*Le apparecchiature elettriche o elettroniche difettose e/o scartate devono essere raccolte presso gli opportuni siti di riciclaggio.*

#### Solo per i Paesi CE

Non smaltire gli elettrodomestici insieme ai rifiuti domestici. Secondo la Direttiva europea 2012/19/EC sui rifiuti delle apparecchiature elettriche ed elettroniche e relativa implementazione nelle normative locali, gli elettrodomestici ormai inutilizzabili devono essere raccolti separatamente e smaltiti in modo ecologico.

## DEFINIZIONI DELLA GARANZIA

I prodotti VONROC sono sviluppati secondo i più elevati standard di qualità e viene garantita l'assenza di difetti nei materiali e nella manodopera per il periodo contrattuale a partire dalla data di acquisto originale. Qualora il prodotto dovesse subire un guasto qualsiasi durante questo periodo a causa di difetti nei materiali e/o nella manodopera, si prega di contattare direttamente il VONROC.

Le seguenti circostanze sono escluse da questa garanzia:

- Riparazioni e/o modifiche alla macchina sono state eseguite o tentate da centri di assistenza non autorizzati.
- Normale usura.
- L'utensile è stato abusato, utilizzato o manutenu- to in modo improprio.
- Sono state utilizzate parti di ricambio non originali

Ciò costituisce l'unica garanzia espressa o implicita fornita dall'azienda. Non esistono altre garanzie espresse o implicite che si estendono oltre il presente documento, ivi comprese le garanzie implicite di commerciabilità e idoneità per uno scopo particolare. In nessun caso VONROC sarà responsabile di eventuali danni incidentali o consequenziali. I rimedi dei rivenditori saranno limitati alla riparazione o sostituzione di unità o parti non conformi.

**Il prodotto e il manuale per l'utente sono soggetti a modifiche. I dati tecnici possono essere modificati senza ulteriore notifica.**

## 1. SÄKERHETSFÖRESKRIFTER

Läs de medföljande säkerhetsvarningarna, de tillkommande säkerhetsvarningarna och anvisningarna. Om inte säkerhetsvarningarna och anvisningarna följs kan detta orsaka elstöt, brand och/eller allvarliga kroppsskador. Behåll säkerhetsvarningarna och anvisningarna för framtida bruk.

Följande symboler används i bruksanvisningen eller på produkten:



Läs igenom bruksanvisningen.



Anger risk för personskada, dödsfall eller skada på verktyget om anvisningarna i denna handbok inte följs.



Risk för elstöt.

Varning het yta!



Täck inte över enheten.



Jordningssymbol. Denna apparat är klassad som skyddsklass I och måste anslutas till ett jordat eluttag.



Produkten uppfyller gällande säkerhetsnormer i EU-direktiven.

**ALLMÄNNA SÄKERHETSFORSKRIFTER**  
**DESSA INSTRUKTIONER BÖR LÄSAS NOGA OCH**  
**BEVARAS FÖR FRAMTIDA REFERENS, Tillverkaren**  
**kan inte hållas ansvarig för skador orsakade av att**  
 **dessa instruktioner inte följs.**

### VIKTIGA SÄKERHETSANVISNINGAR

LÄS NOGA - den infraröda värmaren är konstruerad för säker drift. Ändå kan installation, underhåll och drift av värmaren vara farlig. Att följa följande procedurer minskar risken för brand, elstöt, personskada och håller installationstiden till ett minimum. Spara dessa instruktioner för framtida behov.

- Läs alla instruktioner innan du använder värmaren.
- Ta ut enheten ur förpackningen och kontrollera att den är i gott skick innan du använder den.
- Låt inte barn leka med delar av förpackningen (t.ex. plastpåsar).

- Kontrollera nätspänningen för att säkerställa att den överensstämmer med värmaren.
- Kontrollera nätsladden och kontakten noggrant innan du använder dem för att se till att de inte skadas.
- Innan du drar ur nätsladden, se till att stänga av strömmen. Se till att händerna är torra för att förhindra elektrisk stöt.
- Använd endast terrassvärmaren utomhus eller i ett stort öppet utrymme. Förvara alla brandfarliga föremål som presentningar, parasoller, grenar, möbler, gardiner, papper etc. ur vägen för enheten (minst 1 meter även om de är om de inte är stationära föremål!). Avståndet till väggarna måste vara minst 1 meter. Huvudet måste vara placerat minst 180 cm över marken. Om du placerar enheten under ett tak måste det finnas ett utrymme på minst 50 cm mellan locket på terrassvärmaren och det (icke brännbara) taket. Med ett brandfarligt tak (trä, plast, presentning etc.) måste detta avstånd vara minst 1 meter. Tillse alltid till god ventilation!
- Placera inte enheten precis ovanför eller under ett vägguttag (inte i omedelbar närhet).
- Terrassvärmaren är endast avsedd för användning i hemmet. Du bör därför inte använda den på byggarbetsplatser, i växthus, ladugårdar eller spiltor, även om de till stor del är öppna. Det finns vanligtvis för mycket brandfarligt material där.
- Använd inte denna terrassvärmare som bastuuppvärmning eller som permanent värmeelement.
- Använd inte denna terrassvärmare i en kennel eller någon annan plats där djur finns.
- Använd inte i närheten av ett badkar, en pool eller någon vätskekälla. Trots att enheten är stänksäker måste du vara försiktig med vatten. Se till att den inte kan falla i vattnet och utsätt den inte för kraftiga vattenstrålar. Rör inte vid den med våta händer och placera inte enheten i området omedelbart runt ett badkar, tvättrum, pool eller annan vattenförsörjning, eftersom det är farligt.
- För att skydda mot elektriska stötar får du inte sänka ner sladden eller plugga in den i vatten eller någon annan vätska.
- Sätt inte in eller låt främmande föremål tränga in i ventilation eller avgasöppningar, eftersom det kan orsaka elektrisk stöt, brand eller skada på värmaren.



- Se till att det finns tillräckligt med ljus. Ström-brytarna på enheten måste vara ordentligt synliga från en meters avstånd.
- Koppla alltid bort värmaren när den inte används. Lämna aldrig enheten utan tillsyn när den används, utan stäng av den och dra ur kontakten. Använd inte enheten med en programmeringsanordning, timer eller någon annan enhet som slår på enheten automatiskt.
- Använd inte värmaren med en extern spänningsregulator som dimmer, hastighetsregulator etc. Detta medför en elektrisk risk.
- Se till att sladden inte hänger över (vassa) kanter, inte böjs kraftigt, inte vidrör heta ytor. Vira inte sladden runt enheten.
- Låt inte sladden hänga över bänkskivan där den lätt kan dras i av barn.
- Lägg inte fingrar eller främmande föremål i värmeelementet medan den är i drift.
- Lämna aldrig apparaten utan uppsikt när den används.
- Denna värmare är inte avsedd för användning i badrum, tvättstugor och liknande platser inomhus, placera aldrig värmaren där den kan hamna i ett badkar eller någon annan vattenbehållare.
- Inget ansvar kan godtas för skador orsakade av bristande efterlevnad av dessa instruktioner eller annan felaktig användning eller felaktig hantering.
- Denna apparat kan användas av barn från 8 år och uppåt och personer med nedsatt fysisk, sensorisk eller mental förmåga eller bristande erfarenhet och kunskap om de har fått tillsyn eller instruktioner om hur apparaten ska användas på ett säkert sätt och förstår farorna. inblandade. Barn får inte leka med apparaten. Rengöring och underhåll av användare får inte utföras av barn utan tillsyn. • Om enheten av någon anledning orsakar sprickor eller brott, eller om du upptäcker brister eller brott i aluminiumhöljet eller någon annan del, ska du omedelbart stoppa enheten och ta ut kontakten ur uttaget.
- Om en strömsladd är skadad på något sätt måste den bytas av tillverkaren, tillverkarens serviceombud eller liknande kvalificerad personal för att undvika fara.
- För att förhindra överhettning av denna apparat, håll luftinlopp och utlopp rena och fria från allt som kan orsaka blockering. Kontrollera alla

inlopp och utlopp då och då för att säkerställa att de är fria från smuts eller damm. TÄCK INTE. Varningsetiketten måste också placeras på ett tydligt synligt ställe efter installationen och får inte täcka enheten: den ska därför inte vara på baksidan.

- Delar av värmaren kan överstiga 200°C, kontakt med värmeröret, reflektorn eller metalldelar nära värmeröret kan orsaka allvarliga brännskador. Låt inte bar hud komma i kontakt med den heta ytan för att undvika brännskador.
- Placera ALLDRIG händerna under värmeelementen. Låt ALLTID värmeelementet svalna minst 10 minuter innan du rör vid värmeröret eller intilliggande delar.
- Förvara inga brännbara vätskor eller material som färg, bensin, bensintankar etc. i enhetens omedelbara närhet. Använd inte enheten i lättantändlig miljö, såsom närliggande brännbara gastankar, gasrör eller sprayburkar. Risk för explosion och brand!
- Denna produkt innehåller återvinningsbara material. Kasta inte denna produkt som osorterat hushållsavfall. Kontakta din lokala myndighet för närmaste återvinningsställe.

#### Elsäkerhet



Kontrollera alltid att strömförsörjningens spänning motsvarar spänningen på typskylten.

- Om elverketgets nätkabel är skadad måste den bytas ut mot en speciellt förberedd nätsladd som finns tillgänglig via serviceorganisationen.
- Använd endast förlängningskablar som är lämpliga för maskinens effektvärde med ett minimum tjocklek 1,5 mm<sup>2</sup>. Om du använder en förlängningskabelrulle ska du alltid rulla ur kabeln helt.

## 2. MASKININFORMATION

#### Avsedd användning

Denna produkt är utformad som en uteplatsvärmare för hemmamiljöer. Värmaren är avsedd för privata trädgårdar eller andra utomhusområden hemma. Värmaren får inte användas för att värma ett inomhusutrymme, användning som en utomhusvärmare eller för torkning av textilier eller andra material. Denna värmare är inte utrustad med en anordning för att reglera rumstemperaturen, så

använd inte denna värmare i utrymmen när de är upptagna av personer som inte kan lämna rummet på egen hand, såvida inte konstant tillsyn ges. Enheten ska endast användas för det föreskrivna syftet. All annan användning anses vara ett fall av missbruk.

### TEKNISKA SPECIFIKATIONER

Modell nr	PH502AC-PH503AC
Spänning	220-240 V ~
Frekvens	50-60 Hz
Effekt	2000 W
Effektinställningar	1: 1000 W 2: 2000 W
Värmeelement typ	Låg bländningslampa
Uppvärmningstid	1 sekund
Våglängd	0,78-1,4 mikron
Strålningseffektivitet	90 %
Uppvärmningsavstånd	4-5m
Värmeområde	10-12m <sup>2</sup>
Färgtemperatur	1500K
Överhettningsskydd	Ja
Elektronisk mjukstart	Ja
Kapslingsklass	IP55
Skyddsklass	Klass I
Vikt	2.03 kg

### BESKRIVNING

Siffrorna i texten nedan hänvisar till bilderna på sidorna 2-5.

1. Värmare
2. Skyddsgaller
3. Mottagare för fjärrkontroll
4. Strömkabel
5. Strömbrytare
6. Lägesknapp
7. Fjärrkontroll på/av
8. Knapp för effektnivå 1
9. Knapp för effektnivå 2
10. Monteringsfäste
11. Hylsanslutning
12. Skruv med brickor
13. Mutter
14. Bult

### 3. MONTERING



Värmaren ska installeras av en behörig person, dvs. en kvalificerad elektriker.



Koppla alltid bort värmaren från eluttaget och låt den svalna före installationen.

#### Installera värmaren (fig. A-N)



Montera alltid enheten med de medföljande tillbehören.

Innan du påbörjar installationen bör du ta hänsyn till följande:

- Placera enheten på en stabil och plan yta.
- Apparaten måste hängas så att det finns 50 cm ledigt utrymme mellan värmaren och eventuellt tak, tältduk etc. Det måste också finnas minst 1,80 m mellan marken och enhetens undersida. Se fig. J och K. Enheten får aldrig hängas i vinkel!
- Se till att försörjningskablar är välmonterade och att de inte kommer i kontakt med värmarens reflektor eller att de inte går in i uppvärmt område.
- Installera inte värmaren på en lättantändlig yta.
- Om värmaren ska användas utomhus rekommenderas ett väderbeständigt uttag.
- Innan du borrar, se till att det inte finns några ledningar eller vattenledningar i det område där värmaren ska installeras.

För att installera värmaren, följ dessa steg:

1. Enheten levereras med monteringsstillbehör som visas i figur C.
2. Borra totalt 4 hål med hjälp av måtten i figur D. Hålets diameter ska ha samma diameter som ankardiametern: 8 mm. Borra minst 10 till 15 mm djupare än den förväntade inbäddningen. Se till att hålen är plana och i exakt samma höjd.
3. Rengör hålen från eventuellt skräp.
4. Ställ muttern i jämnhöjd med toppen av hylsankaret (11), som visas i steg 1 i figur E.
5. För in hylsankaret (11) i hålet i basmaterialet, som visas i steg 2 i figur E. Använd en hammare och sätt in hylsankaret så långt att brickan och muttern ligger tätt mot basmaterialet.
6. Sätt nu monteringsfästet (10) på hylsankarna (11) och montera det med brickan och muttern. Vrid muttern tills den sitter åt. Båda som visas i figur F.

7. Använd en skiftnyckel storlek 10 för att ställa in ankaret genom att vrida muttern tre till fyra fulla varv.
8. Montera de återstående 2 monteringsfästena (10) på de yttre hålen på värmaren (1), som visas på figur G.
9. Ta värmaren med monterade fästen till monteringsfästena som är monterade på väggen eller i taket. Koppla nu ihop båda fästena med bulten (14) och muttern (13), som visas i figur H.
10. Figur I visar en korrekt monterad monteringsfästenhet.
11. Ta hänsyn till minsta avstånd som visas i figur J och K.
12. Värmaren kan justeras tills den maximala vinkel, som visas i figur K och L.
13. Anslut terrassvärmaren till ett jordat eluttag. Kontrollera i förväg om spänningsnivån matchar enheten.
14. Tänk på att montera strömkabeln i rätt materia, som visas i figur M och N. Använd buntband för att fästa kabeln vid monteringsfästena vid behov.

**Obs:** värmaren kan också monteras på fot eller metallstativ. Följ instruktionerna som medföljer foten eller stativet för att montera värmaren ordentligt.

#### Montering av fjärrkontrollen (fig. B)

- Vänd fjärrkontrollen (8) och ta bort batteriluckan på baksidan.
- Sätt i två AAA/alkaliska batterier i fjärrkontrollen (8) enligt instruktionerna och batteriernas polaritet.
- Byt batterierna på samma sätt som ovan.

## 4. DRIFT

#### Slå på / av (bild A, B)

Värmaren kan slås på och av med fjärrkontrollen (8) eller lägesknappen (6). Före användning måste strömbrytaren (5) på värmaren först sättas på.

#### Använda fjärrkontrollen

Kontakta Vonroc kundtjänst om du inte har fjärrkontrollen.

- Vrid först strömbrytaren (5) på värmaren till läge "I".
- Tryck på knappen (9) på fjärrkontrollen (8) för att sätta på värmaren.
- För att stänga av värmaren, tryck igen på knap-

pen (9) på fjärrkontrollen (8).

- Tryck på strömbrytaren (5) på värmaren till läget "O" för att stänga av

**Obs:** Se till att peka fjärrkontrollen (8) i riktning mot fjärrkontrollens mottagare (10). Alla VONROC-värmare och deras fjärrkontroller använder samma frekvens, så det är möjligt att styra flera värmare med bara en fjärrkontroll.

#### Använda lägesknappen

- Vrid först strömbrytaren (5) på värmaren till läge "I".
- Tryck på lägesknappen (1) för att sätta på värmaren på nivå 1 - 1000W effektnivå.
- Tryck på lägesknappen (1) igen för att sätta på värmaren på nivå 2 - 2000W effektnivå.
- För att stänga av värmaren, tryck igen på lägesknappen (1).

#### Justera effektnivån (Bild A, B)

Värmeeffekten kan justeras i två nivåer:

- Nivå 1 - 1000W (50% effekt)
- Nivå 2 - 2000W (100% effekt)

Den önskade nivån kan väljas med fjärrkontrollen genom att trycka på antingen Power level 1-knappen (8) eller Power level 2-knappen (9). Nivån kan också väljas med hjälp av lägesknappen (6), se kapitel "slå på / av".

## 5. UNDERHÅLL



*Se alltid till att maskinen inte är ansluten till elnätet när du utför underhåll av mekanismen.*



**FÖRSIKTIGHET:** Risk för elstöt. Försök INTE öppna eller reparera värmaren själv

Rengör maskinens hus regelbundet med en mjuk trasa, helst efter varje gång du använder maskinen. Se till att ventilationsöppningarna är fria från damm och smuts. Ta bort envis smuts med en mjuk trasa fuktad med tvålösning. Använd inte lösningsmedel som bensin, alkohol, ammoniak osv. Sådana kemikalier skadar de syntetiska komponenterna.

- Använd INTE alkohol, bensin, slipande pulver, möbelpolish eller grova borstar för att rengöra värmaren. Detta kan orsaka skada eller försäm-

ring av värmarens yta.

- Sänk ALDRIG värmaren i vatten.
- Vänta tills värmaren är helt torr före användning.

#### **OBS!:**

- Koppla alltid bort värmaren från eluttaget och låt den svalna innan du rengör den.
- Om värmaren har samlat damm eller smuts inuti enheten eller runt värmeelementet, måste enheten rengöras av en kvalificerad servicetekniker. Använd inte värmaren i detta tillstånd.
- Det enda underhåll som krävs är rengöring av värmarens yttre ytor.
- Rör inte vid värmeelementet med bara fingrar, eftersom rester från handen kan påverka lampans livslängd. Vid oavsiktlig beröring avlägsnar du fingermärkena med en mjuk trasa fuktad med menthol eller alkohol.
- Försök inte reparera eller justera några elektriska eller mekaniska funktioner på denna värmare.
- Värmaren innehåller inga delar som kan repareras av användaren. Om produkten skadas eller går sönder, måste den returneras till tillverkaren eller dess serviceagent.
- Om en strömsladd är skadad måste den bytas av tillverkaren, tillverkarens serviceombud eller liknande kvalificerad personal för att undvika fara.

#### **Förvaring**

Förvara värmaren på en sval, torr plats när den inte används för att förhindra att damm och smuts byggs upp. Använd förpackningskartongen för att lagra den.

#### **Felsökning**

Om värmaren inte fungerar ska du kontrollera följande innan du söker reparation eller service:

- Kontrollera om nätsladden är ansluten till ett eluttag, om inte, anslut den
- Kontrollera om elen till huvudsäkring fungerar
- Se till att strömbrytarna är på. Om inte, välj en inställning

## **MILJÖ**



*Felaktig och/eller kasserad elektrisk eller elektronisk utrustning måste lämnas in på lämpliga återvinningsstationer.*

#### **Endast för EU-länder**

Släng inte elverktyg i hushållsavfallet. Enligt det europeiska WEEE-direktivet 2012/19/EU för avfall från elektrisk och elektronisk utrustning och dess tillämpning nationellt ska elverktyg som inte längre kan användas samlas in separat och kasseras på ett miljövänligt sätt.

## **GARANTI**

VONROC produkter är utvecklade enligt högsta kvalitetsstandard och garanteras vara utan defekter både vad gäller material och tillverkning under den period som stipuleras enligt lag med början från ursprungligt inköpsdatum. Om något fel uppstår på produkten under denna period på grund av material- och/eller tillverkningsfel skall VONROC kontaktas direkt.

Följande omständigheter exkluderas från denna garanti:

- Reparationer eller ändringar som gjorts eller försökt göras på maskinen av ett icke auktoriserat servicecenter.
- Normalt slitage.
- Verktyget har missbrukats, använts fel eller underhållits på felaktigt sätt.
- Icke-originalreservdelar har använts.

Detta utgör hela garantin från företaget, antingen uttryckt eller underförstått. Det finns inga andra garantier, uttalade eller underförstådda som gäller utöver ordalydelsen härav, häri, inklusive de uttalade garantierna för säljbarhet och lämplighet för ett särskilt syfte. Under inga omständigheter skall VONROC hållas ansvarig för några oförutsedda eller indirekta skador. Återförsäljarens åtgärder skall begränsas till reparation eller byte av felaktiga enheter eller delar.

**Med förbehåll för ändringar i produkten och bruksanvisningen. Specifikationer kan ändras utan förvarning.**

## 1. SIKKERHEDSANVISNINGER

Læs de medfølgende sikkerhedsadvarsler, de supplerende sikkerhedsadvarsler og instruktionerne. Såfremt sikkerhedsadvarsler og instruktioner ikke følges, kan dette medføre elektriske stød, brand og/eller alvorlige ulykker. Gem alle sikkerhedsadvarsler og instruktioner til fremtidig reference.

Følgende symboler anvendes i denne brugermanual eller på produktet:



Læs brugermanualen.



Angiver risiko for personskade, dødsfald eller beskadigelse af varmeren i tilfælde af manglende overholdelse af anvisningerne i denne vejledning.



Risiko for elektrisk stød.

Forsigtig: varm overflade!



Dæk ikke enheden til.



Jordforbindelse symbol. Dette apparat er klassificeret som beskyttelsesklasse I og skal tilsluttes en jordet stikkontakt.



Produktet overholder de gældende sikkerhedsstandarder i de europæiske direktiver.

**GENERELLE SIKKERHEDSFORSKRIFTER**  
**DISSE INSTRUKTIONER SKAL LÆSES OMHYGGELIGT OG GEMMES TIL FREMTIDIG REFERENCE,**  
**Producenten kan ikke holdes ansvarlig for skader forårsaget af manglende overholdelse af disse instruktioner.**

### VIGTIGE SIKKERHEDSANVISNINGER

LÆS OMHYGGELIGT - Den infrarøde varmer er udviklet til sikker betjening. Ikke desto mindre kan varmerens installation, vedligeholdelse og betjening være farlig. Overholdelsen af de følgende procedurer reducerer risikoen for brand, elektrisk stød, personskade og holder installationstiden på et minimum. Gem disse instruktioner til fremtidig brug.

- Læs alle instruktioner, inden du bruger denne varmer.
- Tag enheden ud af dens emballage, og kontroller, at den er i god stand inden brug.
- Lad ikke børn lege med emballagedele (såsom plastikposer).
- Kontrollér husstandens spænding for at sikre, at den svarer til varmerens nominelle specifikation.
- Kontrollér netledningen og stikket omhyggeligt inden brug, for at sikre, at de ikke er beskadigede.
- Før du trækker netledningen ud, skal du sørge for at slukke for strømmen, og når du tænder for enheden, skal du sørge for, at dine hænder er tørre, for at forhindre elektrisk stød.
- Brug kun terrassevarmeren udendørs eller i et stort åbent område. Hold alle brændbare genstande som presenninger, parasoller, grene, møbler, gardiner, papir osv. væk fra enheden (mindst 1 meter – også hvis det drejer sig om ikke-stationære genstande!). Der skal være en afstand til væggene på mindst 1 meter. Hovedet skal befinde sig mindst 180 cm over jorden. Hvis du placerer enheden under et tag, skal der være en afstand på mindst 50 cm mellem terrassevarmerens hætte og det (ikke-brændbare) loft. Med et brændbart tag (træ, plast, presenning osv.) skal denne afstand være mindst 1 meter. Sørg altid for god udluftning!
- Placer ikke enheden lige over eller under en stikkontakt (ikke umiddelbart i nærheden).
- Terrassevarmeren er kun beregnet til husholdningsbrug. Du bør derfor ikke bruge den på byggepladser, i drivhuse, lader eller boder osv., selvom hvis de er ret åbne. Der er normalt for meget brændbart materiale på disse steder.
- Brug ikke denne terrassevarmer til at oplade en sauna eller som en permanent område- eller rumvarmer.
- Brug ikke denne terrassevarmer i en kennele eller på andre steder, hvor der er dyr til stede.
- Brug den ikke i nærheden af eller umiddelbart i nærheden af et badeværelse eller en swimmingpool eller nogen væskekilde. Selvom enheden er stænkæt, skal du være forsigtig med vand. Sørg for, at den ikke kan falde ned i vandet, og udsæt den ikke for kraftige vandstråler. Rør den ikke med våde hænder, og placer ikke enheden i området tæt på et badeværelse, et toilet, en swimmingpool eller en anden vandforsyning, da dette er farligt.
- For at beskytte mod elektrisk stød må ledningen

- og stikket ikke nedsænkes i vand eller anden væske.
- Undlad at indsætte eller lade fremmedlegemer trænge ind i nogen form for ventilations- eller udsugningsåbning, da dette kan forårsage elektrisk stød, brand eller beskadigelse af varmeren.
  - Sørg for, at der er tilstrækkeligt lys. Kontakterne på enheden skal kunne ses tydeligt fra 1 meters afstand.
  - Træk altid varmerens stik ud, når den ikke er i brug. Lad aldrig enheden være uden opsyn under brug, men sluk for den og træk stikket ud. Brug ikke enheden sammen med en programmeringsenhed, timer eller anden anordning, der tænder enheden automatisk.
  - Brug ikke varmeren med en ekstern spændingsregulator såsom en lysdæmper, hastighedsregulator osv. Dette medfører en elektrisk fare.
  - Sørg for, at ledningen ikke hænger ud over (skarpe) kanter, ikke danner kraftige kurver, ikke rører ved varme overflader. Undlad at vikle ledningen omkring enheden.
  - Lad ikke ledningen hænge ud over bordpladen, hvor børn let kan trække i den.
  - Stik ikke fingre eller fremmedlegemer ind i risten, mens den er i drift.
  - Lad ikke apparatet være uden opsyn, når det er i brug.
  - Denne varmer er ikke beregnet til brug på badeværelser, i vaskerum og lignende steder indenfor. Placer aldrig varmeren, hvor den kan falde ned i et badekar eller en anden vandbeholder.
  - Der påtages intet ansvar for skader, der skyldes manglende overholdelse af disse instruktioner eller anden forkert brug eller forkert håndtering.
  - Dette apparat kan bruges af børn fra 8 år og derover og personer med nedsatte fysiske, sensoriske eller mentale evner eller manglende erfaring og viden, hvis de har fået tilsyn eller instruktioner om brug af apparatet på en sikker måde og forstår farerne involveret. Børn må ikke lege med apparatet. Rengøring og brugervedligeholdelse må ikke foretages af børn uden opsyn.
  - Hvis enheden af en eller anden grund får revner eller brud, eller hvis du finder defekter eller forstyrrelser af aluminiumshuset eller andre dele, skal du straks holde op med at bruge enheden og tage stikket ud af stikkontakten.
  - Hvis netledningen på nogen måde bliver beskadiget, skal den udskiftes af producenten eller dens serviceagent eller en lignende kvalificeret person for at undgå farer.
  - For at forhindre overophedning af dette apparat skal luftindgangene og -udgangene holdes rene og fri for alt, der kan forårsage blokering. Kontroller indgangene og udgangene fra tid til anden for at sikre, at de er fri for ophobning af snavs eller støv. MÅ IKKE TILDÆKKES. Advarselmærkaten om ikke at tildække enheden skal også placeres et helt synligt sted efter installationen. Den må derfor ikke placeres på bagsiden.
  - Dele af varmeren kan overskride 200°C, kontakt med varmerøret, reflektoren eller metaldele i nærheden af varmerøret kan forårsage alvorlige FORBRÆNDINGER. For at undgå forbrændinger må du ikke lade bar hud komme i kontakt med den varme overflade.
  - Hold ALDRIG hænderne under varmelegemerne. Lad ALTID varmelegemet køle af mindst 10 minutter, inden du berører varmerøret eller tilstødende dele.
  - Opbevar ikke brændbare væsker eller materialer såsom maling, benzin, gastanke osv. i umiddelbar nærhed af enheden. Brug ikke enheden i brandfarlige omgivelser, såsom tæt på brændbare gastanke, gasrør eller spraydåser. Fare for eksplosion og brand!
  - Dette produkt indeholder genanvendelige materialer. Bortskaf ikke dette produkt som usorteret husholdningsaffald. Kontakt din kommune for det nærmeste indsamlingssted.

#### Elektrisk sikkerhed



*Kontroller altid, at strømforsyningsens spænding svarer til spændingen på typeskiltet.*

- Hvis el-værktøjets forsyningsledning er beskadiget, skal det udskiftes med en specielt forberedt forsyningsledning, der er tilgængelig via serviceorganisationen.
- Brug kun forlængerledninger, der er mindst egnede til maskinens effekt tykkelse på 1,5 mm<sup>2</sup>. Hvis du bruger en forlængerkabelrulle, skal du altid rulle kablet helt ud.

## 2. MASKINOPLYSNINGER

### Anvendelsesformål

Dette produkt er designet som en terrassevarmer til husholdningsmiljøer. Varmelegemet er beregnet til private haver eller andre udendørs områder derhjemme. Varmelegemet må ikke bruges til opvarmning af et indendørs rum, brug som et ikke-husholdningsvarmer eller til tørring af tekstiler eller andre materialer. Dette varmelegeme er ikke udstyret med en enhed til at kontrollere stuetemperaturen, så brug ikke denne varmelegeme i rum, når de er optaget af personer, der ikke er i stand til at forlade rummet alene, medmindre der er konstant tilsyn. Enheden skal kun bruges til det foreskrevne formål. Enhver anden anvendelse anses for at være et tilfælde af misbrug.

### TEKNISKE SPECIFIKATIONER

Model nr.	PH502AC-PH503AC
Spænding	220-240 V ~
Frekvens	50-60 Hz
Effekt	2000 W
Effektindstillinger	1: 1000 W 2: 2000 W
Type varmelegeme	Lampe med lavt skær
Varmetid	1 sekund
Bølgelængde	0,78-1,4 mikrometer
Strålingseffektivitet	90%
Varmeafstand	4-5 m
Varmeområde	10-12 m <sup>2</sup>
Farvetemperatur	1500 K
Overhedningsbeskyttelse	Ja
Elektronisk blød start	Ja
Kapslingsklasse	IP55
Beskyttelsesklasse	Klasse I
Vægt	2.03 kg

### BESKRIVELSE

Tallene i den følgende tekst korresponderer med afbildningen på side 2-5.

1. Varmer
2. Beskyttelsesrist
3. Modtager til fjernbetjening
4. Strømkabel
5. Tænd/sluk-kontakt
6. Mode-knap
7. Fjernbetjening tænd/sluk-kontakt
8. Effektniveau 1-knap
9. Effektniveau 2-knap
10. Monteringsbeslag
11. Hylseankre
12. Skrue med skiver
13. Møtrik
14. Bolt

### 3. MONTERING



Denne varmer skal installeres af en kompetent person, dvs. en kvalificeret elektriker.



Afbryd altid varmeren fra strømforsyningen, og lad den afkøle før installationen.

#### Installation af varmeren (fig. A-N)



Monter altid enheden med det medfølgende tilbehør.

Før du går i gang med installationen, skal du tage følgende i betragtning:

- Stil enheden på en solid, flad overflade.
- Enheden skal monteres, så der er 50 cm ledig plads mellem varmeren og et loft, en teltduk osv. Der skal også være mindst 1,80 m mellem jorden og undersiden af enheden. Se fig. J og K. Enheden må aldrig hænges skævt!
- Sørg for, at strømforsyningskablet er godt monteret, og at det ikke kommer i kontakt med varmerens reflektor eller ikke trækkes ind i det opvarmede område.
- Installer ikke varmeren på en brandfarlig overflade.
- Hvis varmeren skal bruges udenfor, anbefales det i høj grad at anvende en vejrbestandig stik-kontakt.
- Inden du borer, skal du sørge for, at der ikke er ledninger eller vandrør i det område, hvor varmeren skal installeres.

Følg disse trin for at installere varmeren på en væg eller et loft:

1. Enheden leveres med monteringsstilbehør som vist i figur C.
2. Bor i alt 4 huller ved hjælp af dimensionerne i figur D. Hullet skal have den samme diameter som ankeret: 8 mm. Bor mindst 10 til 15 mm dybere end den forventede indlejring. Sørg for, at hullerne er lige og i nøjagtig samme højde.
3. Rengør hullerne for eventuelle rester.
4. Få møtrikken til at flugte med toppen af hylseankret (11), som vist i trin 1 i figur E.
5. Indsæt hylseankret (11) i hullet i bundmaterialet, som vist i trin 2 i figur E. Brug en hammer til at indsætte hylseankret længst muligt, indtil skiven og møtrikken befinder sig tæt mod bundmaterialet.
6. Sæt nu monteringsbeslaget (10) på hylseankrene (11), og monter det ved hjælp af skiven og møtrikken. Drej møtrikken, til den er fingerstram. Begge som vist på figur F.
7. Brug en str. 10 skruenøgle til at indstille ankeret ved at dreje møtrikken tre til fire hele omdrejninger.
8. Monter de resterende 2 monteringsbeslag (10) på de udvendige huller af varmeren (1), som vist på figur G.
9. Tag varmeren med de monterede beslag til monteringsbeslagene monteret på væggen eller loftet. Kombiner nu begge beslag med boltene (14) og møtrikken (13), som vist på figur H.
10. Figur I viser en korrekt samlet monteringsbeslagssamling.
11. Tag minimumsafstandene i betragtning, som vist på figur J og K.
12. Varmeren kan justeres indtil den maksimale vinkel, som vist på figur K og L.
13. Sæt terrassevarmeren i en jordforbundet stikkontakt. Kontroller på forhånd, at den nominelle spænding svarer til enheden.
14. Sørg for at montere strømkablet i et korrekt materiale, som vist på figur M og N. Brug om nødvendigt kabelbånd til at fastgøre kablet til monteringsbeslagene.

**Bemærk:** Varmeren kan også monteres på en trefod eller et metalstativ. Følg instruktionerne, der følger med trefoden eller stativet, for at montere varmeren korrekt.

#### Montering af fjernbetjeningen (fig. B)

- Vend fjernbetjeningen (8) om på bagsiden, og tag batteridækslet af.
- Indsæt 2 batterier af AAA-/Alkaline-typen i fjernbetjeningen (8) i overensstemmelse med instruktionerne og batteriernes polaritet.
- Udskift batterierne på samme måde som afbildet herover.

## 4. BETJENING

#### Tænd / sluk (fig. A, B)

Varmelegemet kan tændes og slukkes ved hjælp af fjernbetjeningen (8) eller tilstandsknappen (6). Før brug skal afbryderen (5) på varmelegemet først være tændt.

#### Brug af fjernbetjeningen

Hvis du ikke har fjernbetjeningen i din besiddelse, bedes du kontakte Vonroc kundeservice.

- Drej først kontakten (5) på varmeapparatet til 'I' Til-position.
- Tryk på knappen (9) på fjernbetjeningen (8) for at tænde for varmeren.
- For at slukke for varmelegemet skal du igen trykke på knappen (9) på fjernbetjeningen (8).
- Tryk på kontakten (5) på varmelegemet til 'O' Off-position for at slukke

**Bemærk:** Sørg for at pege fjernbetjeningen (8) i retning af fjernbetjeningsmodtageren (10). Alle VONROC-varmeapparater og deres fjernbetjening bruger den samme frekvens, så det er muligt at styre flere varmelegemer med kun en fjernbetjening.

#### Brug af tilstandsknappen

- Drej først kontakten (5) på varmeapparatet til 'I' Til-position.
- Tryk på tilstandsknappen (1) for at tænde for varmeren i niveau 1 - 1000W effektiveau.
- Tryk på tilstandsknappen (1) igen for at tænde varmelegemet i niveau 2 - 2000W effektiveau.
- For at slukke for varmeren skal du igen trykke på tilstandsknappen (1).

#### Justering af effektiveauet (fig. A, B)

Varmelegemets effekt kan justeres i to niveauer:

- Niveau 1 - 1000W (50% effekt)
- Niveau 2 - 2000W (100% effekt)



Det ønskede niveau kan vælges ved hjælp af fjernbetjeningen ved at trykke på enten Power level 1-knappen (8) eller Power Level 2-knappen (9). Niveaueu kan også vælges ved hjælp af funktionsknappen (6), se kapitel "tænd / sluk".

## 5. VEDLIGEHOLDELSE



*Sørg altid for, at maskinen ikke er sluttet til elnettet, når du udfører vedligeholdelse af mekanismen.*



**FORSIGTIG:** Risiko for elektrisk stød. Du må IKKE åbne eller selv prøve at reparere varmeren.

Rengør maskinbeklædningerne regelmæssigt med en blød klud, helst efter hver anvendelse. Sørg for, at der ikke er støv eller snavs i ventilationsåbningerne. Fjern snavs, der sidder meget godt fast, med en blød klud, der er fugtet i sæbevand. Brug ikke opløsningsmidler, som f.eks. benzin, sprit, ammoniak osv. Kemikalier som disse beskadiger de syntetiske komponenter.

- Brug IKKE alkohol, benzin, slibepulver, møbelvoks eller ru børster til at rengøre varmeren. Dette kan forårsage beskadigelse eller forringelse af varmerens overflade.
- Nedsænk IKKE varmeren i vand.
- Vent, til varmeren er helt tør, inden brug.

### VIGTIGT:

- Afbryd altid varmeren fra strømforsyningen, og lad den afkøle, før du forsøger at rengøre den.
- Hvis varmeren har samlet støv eller snavs inde i enheden eller omkring varmelegemet, skal enheden rengøres af en kvalificeret servicetekniker. Betjen ikke varmeren i denne tilstand.
- Den eneste vedligeholdelse, der kræves, er rengøring af varmelegemets udvendige overflader.
- Rør ikke ved varmelegemet med bare fingre, da rester fra din hånd kan påvirke pærens levetid. Hvis du utilsigtet kommer til at røre ved det, skal du fjerne fingeraftrykene med en blød klud fugtet med alkohol eller sprit med menthol.
- Forsøg ikke at reparere eller justere elektriske eller mekaniske funktioner på denne varmer.
- Varmeren indeholder ingen dele, der kan repareres af brugeren. Skulle produktet blive beskadiget eller gå i stykker, skal det leveres tilbage til producenten eller dets serviceagent.

- Beskadigede forsyningsledninger skal udskiftes af producenten, serviceagenten eller en lignende kvalificeret person for at undgå farer.

### Opbevaring

Opbevar varmeren et tørt og køligt sted, når den ikke er i brug, for at forhindre ophobning af støv og snavs. Brug emballagekarton til opbevaring.

### Fejlfinding

Hvis varmeren ikke virker, bedes du kontrollere følgende, inden du anmoder om reparation eller service:

- Kontrollér, om nedledningen er sluttet til en stikkontakt, og hvis ikke, skal den tilsluttes
- Kontrollér, om elektriciteten til hovedsikringen virker
- Sørg for, at strømkontakterne er tændt, og hvis ikke, skal du vælge en indstilling.

### MILJØ



*Defekte og/eller bortskaffede elektriske og elektroniske apparater skal afleveres på en passende genbrugsstation.*

### Kun for EU-lande

Smid ikke el-værktøjer ud sammen med almindeligt affald. I henhold til de europæiske direktiver 2012/19/EU for elektrisk og elektronisk udstyr og er implementeret i henhold til nationale rettigheder, el-værktøj som ikke længere er anvendelig skal indsamles separat og genbruges på en miljøvenlig måde.

### GARANTI

VONROC produkter er udviklet efter de højeste kvalitetsstandarder og er garanteret fri for mangler i såvel materialer som udførelse i den lovpligtige periode, der starter fra datoen for det oprindelige køb. Skulle produktet udvikle nogen fejl i løbet af denne periode på grund af defekte materialer og/eller fabriktionsfejl, så kontakt VONROC direkte.

De følgende forhold er udelukket fra denne garanti:

- Reparationer og eller rettelser er blevet foretaget eller forsøgt foretaget på maskinen af uautoriserede servicecentre.
- Normal slitage.
- Værktøjet har været misligholdt, misbrugt eller vedligeholdt forkert.
- Ikke originale reservedele er blevet anvendt.

Dette udgør den eneste garanti fra virks omheden enten udtrykt eller underforstået. Der er ingen andre garantier udtrykt eller underforstået, som strækker sig ud over forsiden heraf, heri, herunder underforståede garantier for salgbarhed og egnethed til et bestemt formål. VONROC vil under ingen omstændigheder være ansvarlig for hændelige skader eller følgeskader. Forhandlerens afhjælpningsmidler vil være begrænsede til reparation eller udskiftning af fejlbehæftede enheder eller dele.

**Produktet og brugermanualen kan ændres. Specifikationerne kan ændres uden forudgående varsel.**

## 1. INSTRUKCJE BEZPIECZEŃSTWA

Przeczytać dołączone ostrzeżenia dotyczące bezpieczeństwa, dodatkowe ostrzeżenia dotyczące bezpieczeństwa oraz instrukcję. Nieprzestrzeganie ostrzeżeń dotyczących bezpieczeństwa oraz instrukcji może prowadzić do porażenia prądem, pożaru i/lub poważnych obrażeń ciała. Zachować ostrzeżenia dotyczące bezpieczeństwa oraz instrukcje na przyszłość.

Następujące symbole są umieszczone w instrukcji obsługi lub na produkcie:



*Przeczytać instrukcję obsługi.*



*Oznacza ryzyko obrażeń ciała, śmierci lub uszkodzenia grzejnika w razie nieprzestrzegania poleceń z instrukcji.*



*Ryzyko porażenia prądem.*

*Uwaga gorąca powierzchnia!*



*Nie przykrywać urządzenia.*



*Symbol uziemienia. To urządzenie posiada I klasę ochrony i musi być podłączone do uziemionego gniazdka sieciowego.*



*Produkt spełnia wymogi odpowiednich norm bezpieczeństwa podanych w dyrektywach UE.*

### OGÓLNE ZALECENIA DOTYCZĄCE BEZPIECZEŃSTWA

**DOKŁADNIE PRZECZYTAĆ INSTRUKCJĘ I ZACHOWAĆ JĄ NA PRZYSZŁOŚĆ.** Producent nie ponosi odpowiedzialności za szkody spowodowane nieprzestrzeganiem tej instrukcji.

### WAŻNE INSTRUKCJE DOTYCZĄCE BEZPIECZEŃSTWA

**PRZECZYTAĆ UWAGAŃNIE** - Grzejnik na podczerwień został zaprojektowany tak, aby zapewnić bezpieczną pracę. Mimo tego, instalacja, konserwacja i obsługa grzejnika może być niebezpieczna. Przestrzeganie poniższych procedur ograniczy ryzyko pożaru, porażenia prądem, obrażeń ciała osób oraz pozwoli maksymalnie skrócić czas instalacji. Zachować tę instrukcję na przyszłość.

- Przeczytać instrukcję w całości przed rozpoczęciem korzystania z grzejnika.
  - Wyjąć urządzenie z opakowania i sprawdzić, czy jest w dobrym stanie przed rozpoczęciem eksploatacji.
  - Nie pozwalać dzieciom bawić się elementami opakowania (jak torby plastikowe).
  - Sprawdzić napięcie w instalacji domowej, aby dopilnować, że jest zgodne z parametrami znamionowymi zasilania grzejnika.
  - Sprawdzić kabel i wtyczkę zasilania dokładnie przed użyciem, aby dopilnować, że nie są uszkodzone.
  - Przed odłączeniem wtyczki kabla zasilania konieczne wyłączyć zasilanie. Włączać urządzenie wyłącznie suchymi rękami, aby uniknąć porażenia prądem.
  - Używać grzejnika ogrodowego tylko na wolnym powietrzu lub na dużej i otwartej przestrzeni. Trzymać łatwopalne przedmioty, jak plandeki, parasole, gałęzie, meble, zasłony, papier itp. z dala od urządzenia (co najmniej w odstępnie 1 metra, jeśli są to przedmioty ruchome!). Zachować odstęp co najmniej 1 metra od ścian. Spód grzejnika musi znajdować się co najmniej 180 cm nad podłożem. W przypadku umieszczenia urządzenia pod dachem, musi być zapewniony odstęp co najmniej 50 cm między górną powierzchnią klosza grzejnika a (niepalnym) sufitem. Jeśli dach jest palny (wykonany z drewna, tworzywa sztucznego, brezentu itp.), odstęp musi wynosić co najmniej 1 metr. Zawsze zapewniać dobrą wentylację!
  - Nie umieszczać urządzenia bezpośrednio nad lub pod gniazdkiem ściennym (nie w jego bezpośredniej bliskości).
  - Grzejnik ogrodowy jest przeznaczony wyłącznie do użytku domowego. Dlatego nie należy używać go na placach budowy, w szklarniach, stodołach lub straganach itp., nawet jeśli są to przestrzenie w znacznym stopniu otwarte. Zwykle w takich miejscach znajduje się za dużo materiałów palnych.
  - Nie używać tego grzejnika ogrodowego do ogrzewania sauny ani jako trwałego sposobu ogrzewania pokoju lub przestrzeni.
  - Nie używać tego grzejnika ogrodowego w psiej budzie ani innych miejscach, w których znajdują się zwierzęta.
  - Nie używać w pobliżu ani w bezpośrednim sąsiedztwie wanny, basenu lub źródła cieczy.
- Mimo tego, że urządzenie jest odporne na rozbryzgi wody, w jego pobliżu należy ostrożnie obchodzić się z wodą. Dopilnować, aby urządzenie nie mogło wpaść do wody i nie narażać go na silne strumienie wody. Nie dotykać urządzenia mokrymi rękami i nie stawiać go w bezpośrednim pobliżu wanny, umywalki, basenu ani innego zbiornika z wodą lub źródła wody, ponieważ jest to niebezpieczne.
- Aby chronić się przed porażeniem prądem, nie zanurzać kabla ani wtyczki w wodzie ani innej cieczy.
  - Nie wkładać ani nie pozwalać na wpadanie ciała obcych do otworów wentylacyjnych ani wylotowych, ponieważ może to spowodować porażenie prądem, pożar lub uszkodzenie grzejnika.
  - Zapewnić odpowiednie oświetlenie. Włączniki na urządzeniu muszą być prawidłowo widoczne z odległości 1 metra.
  - Zawsze odłączać grzejnik od zasilania, gdy nie jest w użytku. Nigdy nie pozostawiać włączonego urządzenia bez nadzoru, tylko wyłączać je i odłączać od zasilania. Nie używać urządzenia w połączeniu z wyłącznikiem (programatorem) czasowym lub innym urządzeniem, które automatycznie włącza urządzenie.
  - Nie używać grzejnika z zewnętrznym regulatorem napięcia, takim jak ściemniacz światła, regulator prędkości itp. Powoduje to zagrożenie elektryczne.
  - Dopilnować, aby kabel nie leżał na (ostrzych) krawężniach, nie był silnie zagięty i nie dotykał gorących powierzchni. Nie owijać kabla wokół urządzenia.
  - Nie pozwalać, aby kabel zwisał z blatu, gdzie może zostać łatwo pociągnięty przez dziecko.
  - Nie wkładać palców ani ciała obcych w kratkę grzejnika podczas jego pracy.
  - Nie pozostawiać włączonego urządzenia bez nadzoru.
  - Ten grzejnik nie jest przeznaczony do użytku w łazienkach, pralniach itp. miejscach w pomieszczeniach. Nigdy nie ustawiać grzejnika w miejscu, z którego mógłby wpaść do wanny lub innego zbiornika z wodą.
  - Nie ponosimy odpowiedzialności za żadne szkody spowodowane nieprzestrzeganiem tej instrukcji, niewłaściwym użytkowaniem urządzenia i nieprawidłowym obchodzeniem się z urządzeniem.

- To urządzenie może być używane przez dzieci w wieku od 8 lat i starsze oraz osoby z ograniczonymi zdolnościami fizycznymi, sensorycznymi lub umysłowymi lub bez doświadczenia i wiedzy, jeśli są one pod nadzorem lub zostały poinstruowane dotyczące korzystania z urządzenia w bezpieczny sposób i rozumieją zagrożenia zaangażowany. Dzieci nie mogą bawić się urządzeniem. Dzieci bez nadzoru nie mogą czyścić ani konserwować urządzenia.
- Jeśli w urządzeniu z jakiegoś powodu pojawiają się pęknięcia lub w przypadku stwierdzenia niedoskonałości lub przerw w aluminiowej obudowie lub innej części, niezwłocznie zaprzestać eksploatacji urządzenia i wyjąć jego wtyczkę zasilania z gniazdka.
- Jeśli kabel zasilania jest w jakikolwiek sposób uszkodzony, musi go wymienić producent, jego przedstawiciel serwisowy lub podobnie, odpowiednio wykwalifikowana osoba, aby uniknąć zagrożenia.
- Aby zapobiec przegrzaniu tego urządzenia, utrzymywać wloty i wyloty powietrza czyste i wolne od wszelkich przedmiotów, które mogłyby powodować zatory. Sprawdzać wszystkie wloty i wyloty od czasu do czasu, aby zagwarantować, że są wolne od wszelkich zanieczyszczeń i nagromadzonego pyłu. **NIE ZASŁANIAĆ.** Etykieta ostrzegająca przed zasłanianiem urządzenia musi również zostać umieszczona w widocznym miejscu po instalacji. Oznacza to, że nie wolno jej umieszczać z tyłu urządzenia.
- Części grzejnika mogą nagrzewać się do temperatury powyżej 200°C. Dotknięcie rurki grzejnej, reflektora lub części metalowych w pobliżu rurki grzejnej może spowodować poważne OPARZENIA. Aby uniknąć oparzeń, nie dotykać gorącej powierzchni nieosłoniętą skórą.
- **NIGDY** nie kłaść rąk pod elementami grzejnymi. **ZAWSZE** pozwalać elementowi grzejnemu ostygnąć przez co najmniej 10 minut przed dotknięciem rurki grzejnej lub sąsiednich części.
- Nie przechowywać żadnych palnych cieczy ani materiałów, jak farba, benzyna, zbiorniki z gazem itp. w bezpośrednim pobliżu urządzenia. Nie używać urządzenia w palnym otoczeniu, np. w pobliżu zbiorników z łatwopalnym gazem, rur z gazem, pojemników ciśnieniowych lub puszek z gazem w sprayu. Ryzyko wybuchu i pożaru!
- Ten produkt zawiera materiały nadające się do recyklingu. Nie wyrzucać produktu wraz ze

zmieszanymi odpadami z gospodarstw domowych. Proszę skontaktować się z lokalnymi władzami w celu uzyskania informacji o najbliższym punkcie zbiórki selektywnej.

### Bezpieczeństwo elektryczne



*Zawsze sprawdzać, czy napięcie w sieci odpowiada napięciu na tabliczce znamionowej urządzenia.*

- Nie używać urządzenia, jeśli przewód zasilający lub wtyczka jest uszkodzona.
- Używać wyłącznie takich przedłużaczy, które są odpowiednie dla mocy znamionowej urządzenia, o średnicy minimum 1,5 mm<sup>2</sup>. W przypadku używania przedłużacza na szpuli, całkowicie rozwinąć przewód.

## 2. INFORMACJE O MASZYNIE

### Przeznaczenie

Ten produkt został zaprojektowany jako grzejnik tarasowy do użytku domowego. Grzejnik jest przeznaczony do prywatnych ogrodów lub innych terenów zewnętrznych w domu. Grzejnik nie może być używany do ogrzewania pomieszczeń w pomieszczeniach, jako grzejnik do pomieszczeń innych niż domowe ani do suszenia tekstyliów lub innych materiałów. Ten grzejnik nie jest wyposażony w urządzenie do regulacji temperatury w pomieszczeniu, dlatego nie należy go używać w pomieszczeniach, w których przebywają osoby, które nie są w stanie samodzielnie wyjść z pomieszczenia, chyba że zapewniony jest stały nadzór. Urządzenie powinno być używane tylko zgodnie z jego przeznaczeniem. Każde inne użycie jest uważane za niewłaściwe użycie.

### DANE TECHNICZNE

Nr modelu	PH502AC-PH503AC
Napięcie	220–240 V ~
Częstotliwość	50–60 Hz
Moc	2000 W
Ustawienia mocy	1: 1000 W 2: 2000 W
Typ elementu grzejnego	Lampa o niskim blasku
Czas rozgrzewania	1 sekunda
Długość fali	0,78–1,4 mikrona

Sprawność promieniowania	90%
Odległość ogrzewania	4-5 m
Powierzchnia ogrzewania	10-12 m <sup>2</sup>
Temperatura barwowa	1500 K
Ochrona przed przegrzaniem	Tak
Elektroniczny płynny rozruch	Tak
Stopień ochrony	IP55
Klasa ochrony	Klasa I
Ciężar	2.03 kg

## OPIS

Liczby w tekście odnoszą się do rysunków na stronie 2-5.

1. Grzejnik
2. Kratka ochronna
3. Odbiornik pilota
4. Kabel zasilający
5. Włącznik
6. Przycisk trybu
7. Włącznik na pilocie
8. Przycisk 1. poziomu mocy
9. Przycisk 2. poziomu mocy
10. Wspornik montażowy
11. Kotwa tulejowa
12. Śruba z podkładkami
13. Nakrętka
14. Śruba

## 3. MONTAŻ



*Ten grzejnik musi zainstalować odpowiednio wykwalifikowana osoba, tzn. wykwalifikowany elektryk.*



*Zawsze odłączaj grzejnik od zasilania elektrycznego i poczekaj aż ostygnie przed instalacją.*

### Instalacja grzejnika (rys. A-N)



*Zawsze montować urządzenie z użyciem dołączonych akcesoriów.*

Przed rozpoczęciem montażu uwzględnić poniższe wymagania:

- Przymocować urządzenie do wytrzymałej i równej powierzchni.
- Urządzenie musi zostać zamontowane tak, aby

pozostawić 50 cm odstępu między grzejnikiem a sufitem, ścianą, spodem dachu brezentowego namiotu itp. Należy również pozostawić odstęp co najmniej 1,80 m od podłoża do spodu urządzenia. Patrz rys. J i rys. K. Urządzenia nie wolno nigdy wieszać pod kątem!

- Dopilnować, aby kabel zasilania był dobrze zamontowany i nie stykał się z reflektorem grzejnika ani nie mógł znaleźć się w ogrzewanej strefie.
- Nie instalować grzejnika na powierzchni palnej.
- Jeśli grzejnik ma być użytkowany na wolnym powietrzu, zdecydowanie zalecamy użycie gniazdka odpornego na działanie warunków atmosferycznych.
- Przed rozpoczęciem wiercenia dopilnować, aby w miejscu instalacji grzejnika nie znajdowały się żadne przewody ani rury wodne.

Aby zainstalować grzejnik na ścianie lub pod sufitem, postępować zgodnie z opisem poniżej:

1. Urządzenie jest dostarczane wraz z akcesoriami montażowymi zgodnie z rysunkiem C.
2. Wywiercić 4 otwory, korzystając z wymiarów podanych na rysunku D. Średnica otworów powinna być równa średnicy kotwy: 8 mm. Wykonać otwór o głębokości o co najmniej 10 do 15 mm większej od oczekiwanej głębokości osadzenia kotew. Dopilnować, aby otwory były ustawione na jednym poziomie i na identycznej wysokości.
3. Oczyszczyć otwory z wszelkich zanieczyszczeń.
4. Wkręcić nakrętkę tak, aby dotykała górnej powierzchni kotwy tulejowej (11) zgodnie z krokiem 1 na rysunku E.
5. Wprowadzić kotwę tulejową (11) w otwór w materiale bazowym zgodnie z krokiem 2 na rysunku E. Za pomocą młotka wbijać kotwę tulejową, aż podkładka i nakrętka zostaną mocno dociśnięte do materiału bazowego.
6. Teraz umieścić wspornik montażowy (10) na tulejach kotwowych (11) i zamocować go podkładkami i nakrętkami. Dokręcić nakrętkę do oporu ręcznie. Wykonać czynności dla obu zespołów zgodnie z rysunkiem F.
7. Użyć klucza w rozmiarze 10 do zamontowania kotwy, obracając nakrętkę o trzy do czterech pełnych obrotów.
8. Zamontować pozostałe 2 wsporniki montażowe (10) na zewnętrzne otwory grzejnika (1) zgodnie z rysunkiem G.

9. Założyć grzejnik z zamontowanymi wspornikami na wsporniki montażowe przymocowane do ściany lub sufitu. Teraz połączyć oba wsporniki śrubami (14) i nakrętkami (13) zgodnie z rysunkiem H.
10. Rysunek I przedstawia prawidłowo zmontowany zespół wspornika montażowego.
11. Uwzględnić minimalne odstępki zgodnie z rysunkami J i K.
12. Kąt nachylenia grzejnika można regulować do maksymalnej wartości zgodnie z rysunkami K i L.
13. Podłączyć grzejnik ogrodowy do uziemionego gniazda zasilania. Wcześniej sprawdzić, czy napięcie jest zgodne z napięciem znamionowym urządzenia.
14. Dopilnować, aby kabel zasilania został zamontowany prawidłowo zgodnie z rysunkami M i N. Użyć opasek mocujących w celu przymocowania kabla do wsporników montażowych w razie potrzeby.

**Uwaga:** grzejnik można również zamontować na statywie lub metalowym stojaku. Postępować zgodnie z instrukcją dołączoną do statywu lub stojaka, aby prawidłowo zamontować grzejnik.

#### Montaż pilota (rys. B)

- Odwrócić pilota (8) spodem do góry i zdjąć pokrywę komory baterii.
- Włożyć 2 alkaliczne baterie AAA do pilota (8) zgodnie z instrukcją, prawidłowo ustawiając bieguny baterii.
- Wymieniać baterie zgodnie z opisem powyżej.

## 4. OBSŁUGA

#### Włączanie / wyłączenie (rys. A, B)

Nagrzewnicę można włączać i wyłączać za pomocą pilota (8) lub przycisku trybu (6). Przed użyciem wyłącznik zasilania (5) na grzejniku musi być najpierw włączony.

#### Korzystanie z pilota

Jeśli nie posiadasz pilota, skontaktuj się z obsługą klienta firmy Vonroc.

- Najpierw przestaw przełącznik (5) na grzejniku do pozycji „I” On.
- Naciśnij przycisk (9) na pilocie (8), aby włączyć grzejnik.
- Aby wyłączyć grzejnik, ponownie wciśnij przycisk (9) na pilocie (8).
- Wciśnij przełącznik (5) na grzejniku do pozycji „O” Off, aby wyłączyć zasilanie

**Uwaga:** Upewnij się, że pilot (8) jest skierowany w stronę odbiornika pilota (10). Wszystkie grzejniki VONROC i ich piloty używają tej samej częstotliwości, więc można sterować kilkoma grzejnikami za pomocą jednego pilota.

#### Korzystanie z przycisku trybu

- Najpierw przestaw przełącznik (5) na grzejniku do pozycji „I” On.
- Naciśnij przycisk trybu (1), aby włączyć grzałkę na poziomie mocy 1 - 1000W.
- Ponownie naciśnij przycisk trybu (1), aby włączyć grzejnik na poziomie 2 - 2000W.
- Aby wyłączyć grzejnik, ponownie wciśnij przycisk trybu (1).

#### Regulacja poziomu mocy (rys. A, B)

Moc grzałki można regulować na dwóch poziomach:

- Poziom 1 - 1000 W (50% mocy)
- Poziom 2 - 2000 W (100% mocy)

Żądany poziom można wybrać za pomocą pilota, naciskając przycisk poziomu mocy 1 (8) lub poziom mocy 2 (9). Poziom można również wybrać za pomocą przycisku trybu (6), patrz rozdział „Włączanie / wyłączenie”.

## 5. KONSERWACJA



*W trakcie przeprowadzania czynności konserwacyjnych części mechanicznych urządzenie musi być odłączone od zasilania.*



**PRZESTROGA:** Ryzyko porażenia prądem. **NIE** otwierać ani nie próbować naprawiać grzejnika własnoręcznie

Czyścić obudowę urządzenia regularnie miękką ściereczką, najlepiej po każdym użyciu. Dopilnować, aby otwory wentylacyjne były wolne od pyłu, kurzu i zabrudzeń. Usuwać oporne zabrudzenia miękką ściereczką zwilżoną mydlinami. Nie używać żadnych rozpuszczalników, takich jak benzyna, alkohol, amoniak itp. Takie substancje chemiczne spowodują uszkodzenie części z tworzyw sztucznych.

- NIE używać alkoholu, benzyny, ściernych proszków, środków do polerowania mebli ani szorstkich szczotek do czyszczenia grzejnika. Może to spowodować uszkodzenie lub pogorszenie

stanu powierzchni grzejnika.

- NIE zanurzać grzejnika w wodzie
- Przed użyciem poczekać, aż grzejnik całkowicie wyschnie.

#### UWAGA:

- Zawsze odłączaj grzejnik od zasilania elektrycznego i poczekać aż ostygnie przed jego czyszczeniem.
- Jeśli w grzejniku lub wokół elementu grzejnego zgromadził się kurz lub inne zanieczyszczenia, zlecić czyszczenie urządzenia w serwisie. Nie używać grzejnika w takim stanie.
- Jedyną wymaganą czynnością konserwacyjną to czyszczenie zewnętrznych powierzchni grzejnika.
- Nie dotykać elementów grzejnych gołymi rękami, ponieważ osady znajdujące się na skórze mogą mieć negatywny wpływ na trwałość lampy. W razie przypadkowego dotknięcia usunąć ślady palców miękką ściereczką zwilżoną alkoholem lub spirytusem metylovanym.
- Nie podejmować prób naprawy lub regulacji elementów elektrycznych lub mechanicznych tego grzejnika.
- Grzejnik nie zawiera żadnych części, które mogłyby naprawiać użytkownik. Jeśli wystąpi uszkodzenie lub awaria urządzenia, zwrócić je do producenta lub jego przedstawiciela serwisowego.
- Jeśli kabel zasilania jest uszkodzony, musi go wymienić producent, jego przedstawiciel serwisowy lub podobnie, odpowiednio wykwalifikowana osoba, aby uniknąć zagrożenia.

#### Przechowywanie

Przechowywać grzejnik w chłodnym i suchym miejscu, gdy nie jest w użytku, aby chronić go przed osadzaniem się zanieczyszczeń i kurzu. Przechowywać grzejnik w kartonie, w jakim został dostarczony.

#### Związywanie problemów

Jeśli grzejnik nie działa, sprawdzić poniższe rozwiązania przed zleceniem naprawy lub przeglądu:

- Sprawdzić, czy kabel zasilania jest podłączony do gniazdka zasilania. Jeśli nie jest, podłączyć go.
- Sprawdzić, czy zasilanie dochodzi do głównego bezpiecznika
- Sprawdzić, czy włączniki zasilania są ustawione w położenie włączenia. Jeśli nie, ustawić je odpowiednio.

## SRODOWISKO



Uszkodzone i/lub niepotrzebne urządzenia elektryczne lub elektroniczne podlegają zbiórce w odpowiednich punktach recyklingu.

#### Tylko kraje WE

Nie wyrzucac elektronarzędzi wraz z odpadami z gospodarstw domowych. Zgodnie z dyrektywa 2012/19/WE dotycząca zużytych urządzeń elektrycznych i elektronicznych oraz jej wdrożeniem do prawodawstwa krajowego, elektronarzędzia, które już nie nadają się do użytku, podlegają oddzielnej zbiórce oraz utylizacji w sposób przyjazny dla środowiska.

## GWARANCJA

Produkty VONROC są wytwarzane zgodnie z najwyższymi standardami jakości i producent udziela gwarancji na wady materiałowe i wady wykonania na okres wymagany prawem, licząc od dnia zakupu. Jeśli wystąpi usterka produktu w tym okresie spowodowana wadą materiałową i/lub wadą wykonania, proszę bezpośrednio skontaktować się ze sprzedawcą VONROC.

Następujące okoliczności powodują unieważnienie gwarancji:

- Przeprowadzono naprawy lub modyfikacje narzędzia w serwisie innym lub autoryzowany lub podjęto ich próbę;
- Normalne zużycie nie jest objęte gwarancją;
- Narzędzie było używane niezgodnie z przeznaczeniem, źle z nim się obchodzono lub było nieprawidłowo konserwowane;
- Użyto części zamiennych innych niż oryginalne.

Niniejsza gwarancja to wyłączna gwarancja producenta i nie obowiązują żadne inne wyrażone ani dorozumiane gwarancje. Nie obowiązują żadne inne wyrażone ani dorozumiane gwarancje o zakresie przekraczającym niniejszą gwarancję, co obejmuje dorozumiane gwarancje przydatności do sprzedaży i przydatności do określonego celu. W żadnym przypadku firma VONROC nie ponosi odpowiedzialności za straty przypadkowe lub wynikowe. Zadośćuczynienie sprzedawcy jest ograniczone do naprawy lub wymiany niezgodnych urządzeń lub części.

**Produkt i instrukcja obsługi podlegają zmianom. Dane techniczne podlegają zmianom bez uprzedzenia.**

## 1. INSTRUCȚIUNI DE SIGURANȚĂ

Citiți avertizările de siguranță, avertizările de siguranță suplimentare și instrucțiunile. Nerespectarea avertizărilor de siguranță poate cauza producerea de electrocutări, incendii și/sau răni grave. Păstrați avertizările de siguranță și instrucțiunile pentru referințe viitoare.

În manualul de utilizare sau pe produs se utilizează următoarele simboluri:



*Citiți manualul de utilizare.*



*Indică riscul de rănire personală, pierderea vieții sau deteriorarea încălzitorului în cazul în care nu se respectă instrucțiunile din acest manual.*



*Pericol de electrocutare.*

*Atenție, suprafața fierbinte!*



*Nu acoperiți dispozitivul.*



*Simbol de împământare. Acest aparat este clasificat ca clasă de protecție I și trebuie să fie conectat la o priză de împământare.*



*Produsul este în conformitate cu standardele de siguranță aplicabile din directivele europene.*

### REGULI GENERALE DE PROTECȚIAMUNCII ACESTE INSTRUCȚIUNI TREBUIE CITITE CU ATENȚIE ȘI PĂSTRATE PENTRU CONSULTARE VIITOARE.

**Producătorul nu poate fi tras la răspundere pentru daunele cauzate de nerespectarea acestor instrucțiuni.**

### INSTRUCȚIUNI DE SIGURANȚĂ IMPORTANTE

**CITIȚI CU ATENȚIE** - Încălzitorul cu infraroșu este conceput pentru utilizarea în siguranță. Cu toate acestea, instalarea, întreținerea și funcționarea încălzitorului pot fi periculoase. Respectarea următoarelor proceduri va reduce riscul de incendiu, electrocutare, vătămarea persoanelor și va reduce timpul de instalare la minimum. Păstrați aceste instrucțiuni pentru utilizări viitoare.

- Citiți toate instrucțiunile înainte de a utiliza acest încălzitor.
- Scoateți unitatea din ambalaj și verificați dacă este în stare bună înainte de utilizare.
- Nu lăsați copiii să se joace cu componentele ambalajului (cum ar fi pungii de plastic).
- Verificați tensiunea din casă pentru a vă asigura că aceasta corespunde specificațiilor nominale ale încălzitorului.
- Verificați cu atenție cablul de alimentare și fișa înainte de utilizare, pentru a vă asigura că acestea nu sunt deteriorate.
- Înainte de a deconecta cablul de alimentare, asigurați-vă că opriți alimentarea; atunci când alimentați unitatea, asigurați-vă că mâinile dvs. sunt uscate pentru a preveni electrocutarea.
- Utilizați radiatorul terasei numai în aer liber sau într-un spațiu deschis. Țineți toate obiectele inflamabile precum prelate, umbrele de soare, crengi, mobilier, perdele, hârtie etc. la distanță de dispozitiv (cel puțin 1 metru, de asemenea, dacă sunt dacă sunt obiecte mobile!). Distanța până la pereți trebuie să fie de cel puțin 1 metru. Capul de încălzire trebuie să fie situat la cel puțin 180 cm deasupra solului. Dacă așezați dispozitivul sub un acoperiș, trebuie să existe un spațiu de cel puțin 50 cm între capul radiatorului de terasă și plafon (neinflamabil). În cazul unui acoperiș inflamabil (lemn, plastic, prelată etc.) această distanță trebuie să fie de cel puțin 1 metru. Asigurați întotdeauna o ventilație bună!
- Nu amplasați dispozitivul chiar deasupra sau sub o priză de perete (nu în imediata apropiere).
- Încălzitorul de terasă este destinat numai uzului casnic. Prin urmare, nu ar trebui să îl utilizați pe șantierele de construcții, în sere, hambare sau tarabe etc., chiar dacă acestea sunt în mare parte deschise. De obicei, există prea multe materiale inflamabile în aceste situații.
- Nu utilizați acest încălzitor de terasă ca sursă de încălzire într-o saună sau ca încălzitor permanent pentru un anumit spațiu sau o cameră.
- Nu utilizați acest încălzitor de terasă într-un adăpost de animale sau în orice altă locație în care există animale.
- Nu îl utilizați lângă sau în imediata apropiere a unei băi sau a unei piscine sau a oricărei surse de lichid. În ciuda faptului că dispozitivul este rezistent la stropi, trebuie să aveți grijă cu apa. Asigurați-vă că acesta nu poate cădea în apă



și nu-l expuneți la jeturi puternice de apă. Nu atingeți cu mâinile umede și nu așezați dispozitivul în zona din jurul unei băi, toalete, piscine sau alte surse de alimentare cu apă, deoarece acest lucru este periculos.

- Pentru a vă proteja împotriva șocurilor electrice, nu introduceți cablul sau fișa în apă sau orice alt lichid.
- Nu introduceți și nu permiteți obiectelor străine să pătrundă în vreun orificiu de ventilație sau de evacuare, deoarece acest lucru poate provoca electrocutare, incendiu sau deteriorarea încălzitorului.
- Asigurați-vă că există suficientă lumină. Comutatoarele de pe dispozitiv trebuie să fie vizibile în mod corespunzător de la o distanță de 1 metru.
- Deconectați întotdeauna încălzitorul de la sursa de alimentare atunci când nu îl folosiți. Nu lăsați niciodată dispozitivul nesupravegheat atunci când îl folosiți, ci opriți-l și deconectați-l. Nu utilizați dispozitivul cu împreună cu un dispozitiv de programare, un temporizator sau orice alt dispozitiv care pornește automat dispozitivul.
- Nu utilizați încălzitorul cu un regulator de tensiune extern, cum ar fi un variator de tensiune, regulator de turație etc. Acest lucru generează un pericol electric.
- Asigurați-vă că cablul nu atâră peste margini (ascuțite), nu realizează curbări puternice, nu atinge suprafețele fierbinți. Nu înfășurați cablul în jurul dispozitivului.
- Nu permiteți cablului să atâră, întrucât poate fi tras cu ușurință de către copii.
- Nu introduceți degetele sau obiecte străine în grilaj în timp ce încălzitorul este în funcțiune.
- Nu lăsați aparatul nesupravegheat când îl folosiți.
- Acest încălzitor nu este destinat utilizării în băi, spălătorii și locații similare aflate în interior, nu amplasați niciodată încălzitorul în locații unde poate cădea într-o cadă sau într-un alt recipient cu apă.
- Nu poate fi acceptată răspunderea pentru orice daune cauzate de nerespectarea acestor instrucțiuni sau de orice altă utilizare necorespunzătoare sau manipulare greșită.
- Acest aparat poate fi utilizat de copii cu vârsta de peste 8 ani și de persoane cu capacități fizice, senzoriale sau mentale reduse sau lipsă de experiență și cunoștințe dacă li s-a acordat

supraveghere sau instrucțiuni privind utilizarea aparatului într-un mod sigur și înțeleg pericolele implicat. Copiii nu trebuie să se joace cu aparatul. Curățarea și întreținerea utilizatorului nu trebuie făcute de copii fără supraveghere.

- Dacă, din orice motiv, dispozitivul se fisurează sau se crapă sau dacă identificați imperfecțiuni sau defecțiuni ale carcasei din aluminiu sau ale oricărei componente, întrerupeți imediat funcționarea dispozitivului și scoateți fișa din priză.
- În cazul în care cablul de alimentare este deteriorat în orice fel, acesta trebuie înlocuit de către producător, de către agentul de service sau de către persoane calificate în mod similar, pentru a evita pericolele.
- Pentru a preveni supraîncălzirea acestui aparat, păstrați intrările și orificiile de aer curate și fără obiecte care pot provoca blocarea. Verificați ocazional toate orificiile de admisie și orificiile de evacuare pentru a vă asigura că acestea nu sunt murdare și nu prezintă acumulări de praf. **NU ACOPERIȚI DISPOZITIVUL.** Eticheta de avertizare privind interdicția de a acoperi dispozitivul trebuie, de asemenea, plasată într-un loc vizibil după instalare: nu ar trebui, așadar, să fie pe spate.
- Componentele încălzitorului pot depăși 200°C; contactul cu tubul de încălzire, reflectorul sau componentele metalice din apropierea tubului de încălzire poate provoca ARSURI severe. Pentru a evita arsurile, nu atingeți suprafețele fierbinți cu părți ale pielii.
- Nu țineți NICIODATĂ mâinile sub elementele de încălzire. Lăsați întotdeauna elementul de încălzire să se răcească cu cel puțin 10 minute înainte de a atinge tubul de încălzire sau componentele adiacente.
- Nu depozitați lichide inflamabile sau materiale precum vopsea, benzină, rezervoare de combustibil etc. în imediata apropiere a dispozitivului. Nu utilizați dispozitivul într-un mediu inflamabil, cum ar fi rezervoarele de combustibil din apropiere, tuburile de gaz sau recipientele de pulverizare. Pericol de explozie și incendiu!
- Acest produs conține materiale reciclabile. Nu eliminați acest produs ca deșeu menajer nesortat. Vă rugăm să contactați autoritățile locale pentru cel mai apropiat punct de colectare.

**Siguranta electrica**

*Verificați întotdeauna dacă tensiunea sursei de alimentare corespunde tensiunii de pe placa de identificare.*

- Dacă cablul de alimentare al acestui instrument electric este deteriorat, acesta trebuie înlocuit cu un cablu de alimentare special pregătit, disponibil prin intermediul organizației de service.
- Utilizați numai cabluri prelungitoare care sunt adecvate pentru puterea nominală a mașinii cu un minim grosime de 1,5 mm<sup>2</sup>. Dacă utilizați o bobină de cablu prelungitor, derulați întotdeauna complet cablul.

**2. INFORMAȚII CU PRIVIRE LA MAȘINĂ****Utilizarea prevăzută**

Acest produs este conceput ca un încălzitor de terasă pentru medii domestice. Încălzitorul este destinat grădinilor private sau altor zone exterioare de acasă. Încălzitorul nu poate fi utilizat pentru încălzirea unui spațiu interior, utilizat ca încălzitor de spațiu exterior pentru uz casnic sau pentru uscarea textilelor sau a altor materiale. Acest încălzitor nu este echipat cu un dispozitiv pentru controlul temperaturii camerei, așa că nu utilizați acest încălzitor în spații când sunt ocupate de persoane care nu sunt capabile să părăsească singuri camera, cu excepția cazului în care este prevăzută o supraveghere constantă. Dispozitivul trebuie utilizat numai în scopul prescris. Orice altă utilizare este considerată a fi un caz de abuz.

**SPECIFICAȚII TEHNICE**

Nr. model	PH502AC-PH503AC
Tensiune	220-240 V ~
Frecvență	50-60 Hz
Putere	2000 W
Cablul de alimentare Setări	1: 1000W 2: 2000W
Tip element de încălzire	Lampă cu lumină redusă
Timp de încălzire	1 secundă
Lungime de undă	0,78-1,4 microni
Eficiență radiantă	90%
Distanță de încălzire	4-5 m
Suprafață de încălzire	10-12 m <sup>2</sup>

Temperatură culoare lampă	1500 K
Protecție la supraîncălzire	Da
Dispozitiv electronic pentru controlul pornirii	Da
Clasă de protecție împotriva pătrunderii lichidelor	IP55
Clasa de protecție	Clasa I
Masă	2.03 kg

**DESCRIERE**

Numerele din text se referă la diagramele de la paginile 2-5.

1. Încălzitor
2. Grilaj de protecție
3. Receptor pentru telecomandă
4. Cablu de alimentare
5. Comutator pornire/oprire
6. Butonul Mod
7. Întrerupător telecomandă pornit/oprit
8. Butonul de nivel 1 de putere
9. Butonul de nivel 2 de putere
10. Consolă de montare
11. Ancoră
12. Șurub cu șaibe
13. Piuliță
14. Șurub

**3. ASAMBLAREA**

*Acest încălzitor trebuie instalat de o persoană competentă, adică de un electrician calificat.*



*Deconectați întotdeauna încălzitorul de la sursa de alimentare electrică și lăsați-l să se răcească înainte de instalare.*

**Instalarea încălzitorului (Fig. A-N)**

*Montați întotdeauna dispozitivul cu accesoriile furnizate.*

Înainte de a începe instalarea, respectați următoarele indicații:

- Poziționați dispozitivul pe o suprafață fermă și dreaptă.
- Dispozitivul trebuie montat astfel încât să existe un spațiu de 50 cm între încălzitor și plafon, pâna cortului etc. Trebuie să existe, de ase-

menea, cel puțin 1,80 m între pământ și partea inferioară a dispozitivului. Consultați figurile J și K. Dispozitivul nu poate fi suspendat niciodată înclinat!

- Asigurați-vă că cablurile de alimentare electrică sunt corect instalate, nu intră în contact cu reflectorul încălzitorului și nu sunt desfășurate în zona încălzită.
- Nu instalați încălzitorul pe o suprafață inflamabilă.
- În cazul în care încălzitorul trebuie utilizat în exterior, este foarte recomandată o priză rezistentă la intemperii.
- Înainte de găurire, asigurați-vă că nu există fire sau conducte de apă în zona în care trebuie instalat încălzitorul.

Pentru a instala încălzitorul pe perete sau plafon, urmați acești pași:

1. Dispozitivul este furnizat împreună cu accesoriile de montare, așa cum se arată în figura C.
2. Efectuați un total de 4 găuri folosind dimensiunile din figura D. Diametrul găurii trebuie să fie același diametru ca și diametrul ancorei: 8mm. Găuriți cu cel puțin 10-15 mm mai adânc decât introducerea așteptată. Asigurați-vă că găurile sunt plane și exact la aceeași înălțime.
3. Curățați găurile de resturi.
4. Așezați piulița la partea superioară a ancorei (11), prezentată ca pasul 1 din figura E.
5. Introduceți ancora (11) în orificiul din materialul de bază, arătat ca pasul 2 din figura E. Folosind un ciocan, introduceți ancora până când șaiba și piulița sunt strânse de materialul de bază.
6. Acum puneți consola de montare (10) pe ancore (11) și montați-l folosind șaiba și piulița. Rotiți piulița până la capăt cu degetul. Ambele așa cum se arată în figura F.
7. Folosiți o cheie de 10 pentru a instala ancora prin rotirea piuliței de trei până la patru ture complete.
8. Montați celelalte 2 console de montare (10) pe orificiile exterioare ale încălzitorului (1), așa cum se arată în figura G.
9. Luați încălzitorul cu consolele asamblate la suporturile de montare montate pe perete sau tavan. Acum asociați ambele console cu șurubul (14) și piulița (13), așa cum se arată în figura H.
10. Figura I arată un ansamblu consolă de fixare montat corect.
11. Luați în considerare distanțele minime așa cum

se arată în figura J și K.

12. Încălzitorul poate fi reglat până la unghiul maxim, așa cum se arată în figurile K și L.
13. Conectați încălzitorul de terasă la o priză cu împământare. Verificați în prealabil dacă tensiunea nominală corespunde dispozitivului.
14. Luați în considerare pentru a monta cablul de alimentare în modalitate corectă, așa cum se arată în figurile M și N. Folosiți șuruburi pentru a fixa cablul pe consolele de montare, dacă este necesar.

**Observație:** încălzitorul poate fi montat și pe un trepid sau un suport metalic. Respectați instrucțiunile furnizate împreună cu trepidul sau suportul, pentru a monta încălzitorul în mod corespunzător.

#### Asamblarea telecomenzii (Fig. B)

- Întoarceți telecomanda (8) și scoateți capacul bateriei.
- Introduceți 2 baterii tip AAA/alcaine în telecomandă (8) respectând instrucțiunile și polaritatea bateriilor.
- Schimbați bateriile în același mod descris mai sus.

## 4. OPERAREA

#### Pornire / oprire (fig. A, B)

Încălzitorul poate fi pornit și oprit folosind telecomanda (8) sau butonul de mod (6). Înainte de utilizare, întrerupătorul de alimentare (5) de pe încălzitor trebuie mai întâi pornit.

#### Folosind telecomanda

Dacă nu aveți telecomanda în posesia dvs., vă rugăm să contactați serviciul clienți Vonroc.

- Mai întâi rotiți comutatorul (5) de pe încălzitor în poziția „I” Pornit.
- Apăsăți butonul (9) de pe telecomandă (8) pentru a porni încălzitorul.
- Pentru a opri încălzitorul, apăsați din nou butonul (9) de pe telecomandă (8).
- Apăsăți comutatorul (5) de pe încălzitor în poziția „O” Off pentru a opri

**Notă:** Asigurați-vă că îndreptați telecomanda (8) în direcția receptorului telecomenzii (10). Toate încălzitoarele VONROC și telecomenzile lor utilizează aceeași frecvență, deci este posibil să controlați mai multe încălzitoare cu o singură telecomandă.

### Folosind butonul de mod

- Mai întâi rotiți comutatorul (5) de pe încălzitor în poziția „I” Pornit.
- Apăsăți butonul de mod (1) pentru a porni încălzitorul la nivelul de putere 1 - 1000W.
- Apăsăți din nou butonul de mod (1) pentru a porni încălzitorul la nivelul 2 - 2000W putere.
- Pentru a opri încălzitorul, apăsați din nou butonul de mod (1).

### **Reglarea nivelului de putere (Fig. A, B)**

Puterea încălzitorului poate fi reglată în două niveluri:

- Nivelul 1 - 1000W (50% putere)
- Nivelul 2 - 2000W (100% putere)

Nivelul dorit poate fi selectat folosind telecomanda apăsând fie butonul Power level 1 (8), fie butonul Power level 2 (9). Nivelul poate fi de asemenea selectat folosind butonul de mod (6), vezi capitolul „pornire / oprire”.

## **5. ÎNTREȚINERE**



*Asigurați-vă întotdeauna că aparatul nu este conectat la rețeaua electrică atunci când efectuați lucrări de întreținere a mecanismului.*



**PRECAUȚIE:** Pericol de electrocutare. NU deschideți și nu încercați să reparați dvs. încălzitorul.

Curățați regulat carcasa cu o cârpă moale, de preferat după fiecare utilizare. Curățați fantele de aerisire de praf și murdărie. Îndepărtați murdăria persistentă cu o cârpă moale înmuiată în clăbuci de săpun. Nu folosiți solvenți precum benzină, alcool, amoniac, etc. Astfel de substanțe chimice vor deteriora componentele sintetice.

- NU folosiți alcool, benzină, pulberi abrazive, soluții pentru lustruit mobilă sau perii aspre pentru a curăța încălzitorul. Acest lucru poate cauza defectarea sau deteriorarea suprafeței încălzitorului.
- NU scufundați încălzitorul în apă.
- Așteptați până când încălzitorul este complet uscat înainte de utilizare.

### **ATENȚIE:**

- Deconectați întotdeauna încălzitorul de la sursa de alimentare electrică și lăsați-l să se răcească înainte de a încerca să îl curățați.
- Dacă încălzitorul a acumulat praf sau murdărie în interiorul unității sau în jurul elementului de încălzire, acesta trebuie curățat de către un agent de service calificat. Nu folosiți încălzitorul în această stare.
- Singura întreținere necesară este curățarea suprafețelor exterioare ale încălzitorului.
- Nu atingeți elementul de încălzire cu degetele goale, deoarece murdăria de pe mâinile dvs. ar putea afecta durata de viață a lămpii. Dacă este atins accidental, îndepărtați urmele degetelor cu o cârpă moale umezită cu alcool metilic sau alcool.
- Nu încercați să reparați sau să reglați funcțiile electrice sau mecanice ale acestui încălzitor.
- Încălzitorul nu conține componente care pot fi reparate de către utilizator. În cazul în care produsul prezintă daune sau defecțiuni, acesta trebuie returnat producătorului sau agentului de service.
- Cablurile de alimentare deteriorate trebuie înlocuite de producător, agentul de service sau de o persoană calificată în mod similar, pentru a evita pericolele.

### **Depozitarea**

Pentru a preveni acumularea de praf și murdărie, păstrați încălzitorul într-un loc răcoros și uscat atunci când nu îl folosiți. Utilizați cutia de ambalare pentru depozitare.

### **Depanarea**

Dacă încălzitorul nu funcționează, vă rugăm să verificați următoarele aspecte înainte de a solicita reparații sau service:

- Verificați dacă cablul de alimentare este conectat la o priză electrică; dacă nu este conectat, conectați-l
- Verificați dacă există curent electric la siguranța principală
- Asigurați-vă că întrerupătoarele de alimentare sunt pornite; în caz contrar, alegeți o setare.

## MEDIU



*Aparatele electrice sau electronice deteriorate și/sau defecte trebuie colectate în locurile de reciclare corespunzătoare.*

### Numai pentru țările din CE

Nu aruncați echipamentele acționate electric împreună cu gunoiul menajer. Conform Indicației europene 2012/19/EU pentru echipamente electrice și electronice uzate și a implementării sale la nivel național, echipamentele acționate electric scoase din uz trebuie colectate separat și evacuate într-o manieră ecologică.

## GARANȚIE

Produsele VONROC sunt realizate la cele mai înalte standarde de calitate și sunt garantate în privința materialelor și a manoperei pentru întreaga perioadă de utilizare în garanție, începând cu data achiziției. În cazul în care produsul se defectează în timpul perioadei de utilizare, contactați direct VONROC.

Următoarele circumstanțe sunt excluse de la această garanție:

- Reparațiile sau modificările care realizate sau care s-au încercat a fi efectuate de centre de service neautorizate.
- Uzura în condiții normale.
- Unealta care a fost abuzată, utilizată într-un mod neglijent sau întreținută în mod inadecvat.
- Folosirea unor piese de schimb neoriginale.

Aceasta acoperă garanția companiei, explicită sau implicită. Nu există alte garanții explicite sau implicite care să se extindă dincolo de cele indicate aici, incluzând garanțiile, vandabilitatea sau adecvarea pentru un anumit scop. În nicio situație, VONROC nu este responsabil pentru daunele incidentale sau consecvențiale. Reparațiile efectuate de reprezentant trebuie să fie limitate la reparațiile sau la înlocuirea unităților sau a pieselor neconforme.

**Produsul și manualul de utilizare pot suferi modificări. Specificațiile se pot modifica fără notificare prealabilă.**





**DECLARATION OF CONFORMITY**  
**PH502AC/PH503AC - PATIO HEATER MARSILI BLACK/SILVER**

- (EN) We declare under our sole responsibility that this product is in conformity with directive 2011/65/EU of the European parliament and of the council of 8 June on the restriction of the use of certain hazardous substances in electrical and electronic equipment is in conformity and accordance with the following standards and regulations:
- (DE) Der Hersteller erklärt eigenverantwortlich, dass dieses Produkt der Direktive 2011/65/ EU des Europäischen Parlaments und des Rats vom 8. Juni 2011 über die Einschränkung der Anwendung von bestimmten gefährlichen Stoffen in elektrischen und elektronischen Geräten entspricht, den folgenden Standards und Vorschriften entspricht:
- (NL) Wij verklaren onder onze volledige verantwoordelijkheid dat dit product voldoet aan de conform Richtlijn 2011/65/EU van het Europees Parlement en de Raad van 8 juni 2011 betreffende beperking van het gebruik van bepaalde gevaarlijke stoffen in elektrische en elektronische apparatuur en in overeenstemming is met de volgende standaarden en reguleringen:
- (FR) Nous déclarons sous notre seule responsabilité que ce produit est conforme aux standards et directives suivants: est conforme à la Directive 2011/65/EU du Parlement Européen et du Conseil du 8 juin 2011 concernant la limitation d'usage de certaines substances dangereuses dans l'équipement électrique et électronique.
- (ES) Declaramos bajo nuestra exclusiva responsabilidad que este producto cumple con las siguientes normas y estándares de funcionamiento: se encuentra conforme con la Directiva 2011/65/UE del Parlamento Europeo y del Consejo de 8 de junio de 2011 sobre la restricción del uso de determinadas sustancias peligrosas en los equipos eléctricos y electrónicos.
- (IT) Dichiariamo, sotto la nostra responsabilità, che questo prodotto è conforme alle normative e ai regolamenti seguenti: è conforme alla Direttiva 2011/65/UE del Parlamento Europeo e del Consiglio dell'8 giugno 2011 sulla limitazione dell'uso di determinate sostanze pericolose nelle apparecchiature elettriche ed elettroniche.
- (SV) Vi garanterar på eget ansvar att denna produkt uppfyller och följer följande standarder och bestämmelser: uppfyller direktiv 2011/65/EU från Europeiska parlamentet och EG-rådet från den 8 juni 2011 om begränsningen av användning av farliga substanser i elektrisk och elektronisk utrustning.
- (DA) Vi erklærer under eget ansvar, at dette produkt er i overensstemmelse med følgende standarder og bestemmelser: er i overensstemmelse med direktiv 2011/65/EU fra Europa-Parlamentet og Rådet af 8. juni 2011 om begrænsning af anvendelsen af visse farlige stoffer i elektrisk og elektronisk udstyr.
- (PL) Deklarujemy na własną odpowiedzialność, że ten produkt spełnia wymogi zawarte w następujących normach i przepisach: jest zgodny z Dyrektywą 2011/65/UE Parlamentu Europejskiego i Rady z dnia 8 czerwca 2011 r. w sprawie ograniczenia stosowania niektórych niebezpiecznych substancji w sprzęcie elektrycznym i elektronicznym.
- (RO) Declaram prin aceasta cu răspunderea deplină că produsul acesta este în conformitate cu următoarele standarde sau directive: este în conformitate cu Directiva 2011/65/UE a Parlamentului European și a Consiliului din 8 iunie 2011 cu privire la interzicerea utilizării anumitor substanțe periculoase la echipamentele electrice și electronice.

**EMC 2014/30/EU: EN 55014-1:2017, EN 55014-2:2015, EN IEC 61000-3-2:2019, EN 61000-3-3:2013+A1:2019**

**LVD 2014/35/EU: EN 60335-2-30:2009+A11:2012,  
EN 60335-1:2012+A11:2014+A13:2017+ A1:2019+A14:2019+A2:2019, EN 62233:2008**

**RoHS 2011/65/EU&(EU)2015/863, WEEE 2012/19/EU**

Zwolle, 01-12-2020

H.G.F Rosberg  
CEO

**VONROC • Lingenstraat 6 • 8028 PM Zwolle • The Netherlands**



**VONROC®**  
BUILD YOUR FUTURE

©2020 VONROC  
[WWW.VONROC.COM](http://WWW.VONROC.COM)

2012-23