



PRODUCT INFORMATION

TEVO MINI TABLETS ESPRESSO MACHINE CLEANING TABLETS

SUITABLE FOR DOMESTIC AUTOMATIC & TRADITIONAL ESPRESSO MACHINES

Tevo Mini Tablets can be used to clean domestic style automatic machines and also placed in the group handle for small traditional espresso machines.

HIGH PERFORMANCE

One tablet in the group head removes coffee oils, grounds and stains, improving the taste and aroma of espresso after the machine is cleaned. Tevo Mini Tablets also leave no trace of odour.

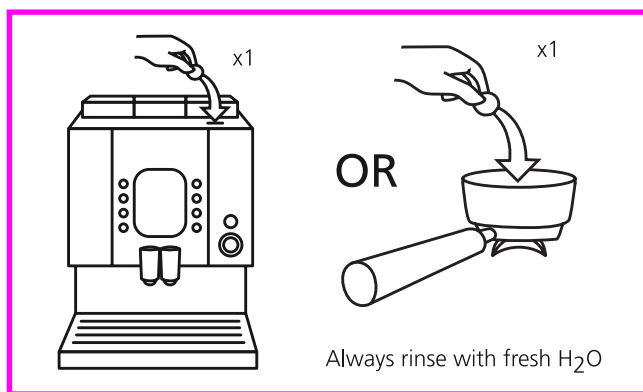
CERTIFIED FOR ORGANIC USE

Tevo Mini Tablets are registered by Australian Certified Organic (ACO) as an allowed input in organic systems and is certified by the Organic Materials Review Institute (OMRI). Tevo Mini Tablets are free from phosphate and Genetically Modified Organisms.

RAPIDLY BIODEGRADABLE

All Tevo Mini Tablet ingredients are all rapidly biodegradable meeting international standards.

HOW TO USE



NSF Protocol P152
Health Effects and Corrosivity
of Commercial Espresso
Machine Chemical Cleaners



SAFE FOR YOU AND YOUR MACHINE

Safe for all machine parts, Tevo Mini is listed with NSF Protocol P152. It has been tested, evaluated passed the most stringent toxicology and corrosivity standards. The ingredients and formulation of the products that are NSF certified are safe, leave no harmful residues and do not cause corrosion within the coffee machine.



RECOMMENDED FOR

Cleaning the coffee brew groups of various domestic espresso machines.

Refer to machine manufacturer's instructions on how to clean. Always rinse thoroughly with fresh water after cleaning.

WATCH THE HOW TO VIDEO HERE

https://www.youtube.com/watch?v=TLlgj6V_oRI

PRODUCT	TYPE OF UNIT PACK	NET UNIT WEIGHT	# OF TABLETS PER UNIT	# OF UNITS PER CASE	# OF TABLETS PER CASE	PRODUCT CODE / INDIVIDUAL	PRODUCT CODE / CASE
Tevo Mini Tablets	8 Tablet Blister Pack	0.02kg (0.05lb)	8	40	320	E11928	E11927