

# TX-BELT

WIRELESS BELTPACK TRANSMITTER



LAVALIÉR MICROPHONE INCLUDED



128-BIT ENCRYPTED SIGNAL



SERIES II 2.4GHZ DIGITAL TRANSMISSION



UP TO 100M RANGE\*



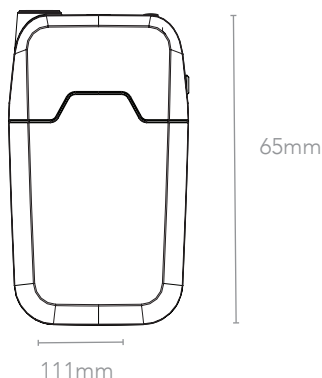
AA BATTERY OR USB POWER



The TX-BELT is a wireless beltpack transmitter for the RØDELink digital wireless system. Comfortable and lightweight, it can be fitted to a belt or clothing and features a 3.5mm TRS microphone input with a locking connector for complete security.

- Lavalier Microphone included
- Series II 2.4GHz digital transmission
- 128-bit encrypted signal
- Up to 100m range\*
- OLED digital display
- 3 level gain control
- AA battery or USB power
- 3.5mm locking TRS input

Front view



## ACOUSTIC & ELECTRICAL SPECIFICATIONS

Transmission Type:*	2.4GHz fixed frequency agile system
System Dynamic Range:	112dB
Range (istance):	100m
Frequency Range:	35Hz - 22kHz
Maximum Output Level:	1v rms (2.8v p-p)
Max Input Signal Level:	1v rms (2.8v p-p)
Max Latency:	4ms
Power Source:	2 x AA battery and micro USB
Antenna:	Internal
Input Connection:	3.5mm TRS jack socket with thread lock
Input Impedance:	10k $\Omega$
Dimensions: (millimetres)	Height: 111
	Width: 65
	Depth: 40