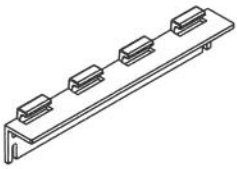


نم الة

1 9 5 4

SWING 2.0

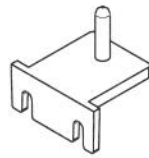
COMPONENTS



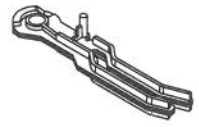
A (X1)



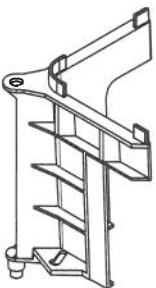
B (X1)



C (X1)



D (X1)



E (X1)



F (X1)



G (X1)



I (X1)

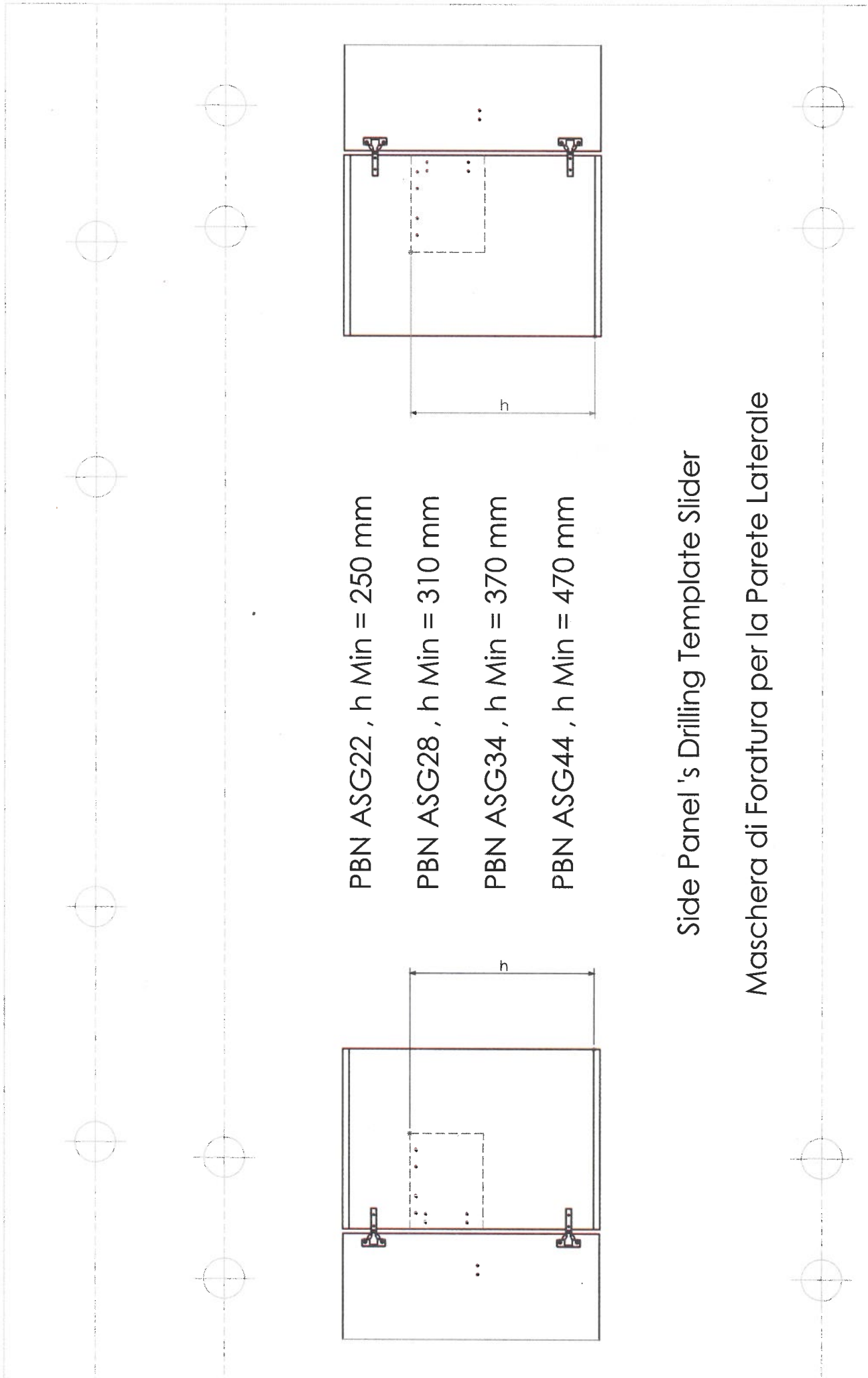


H (X10)



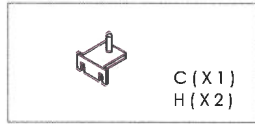
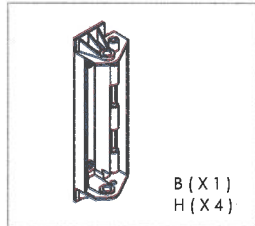
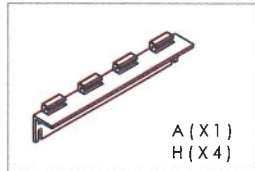
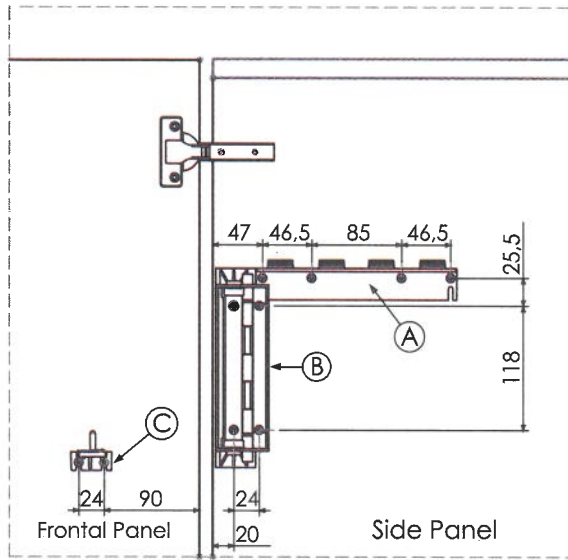
L (X1)

Right Side



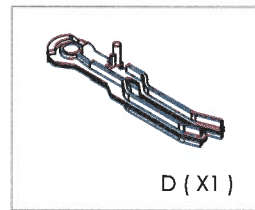
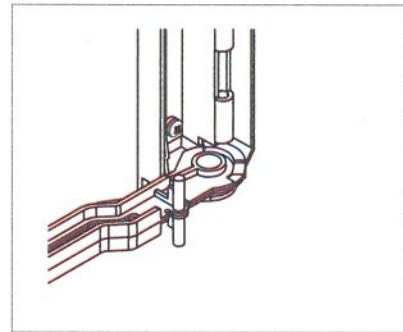
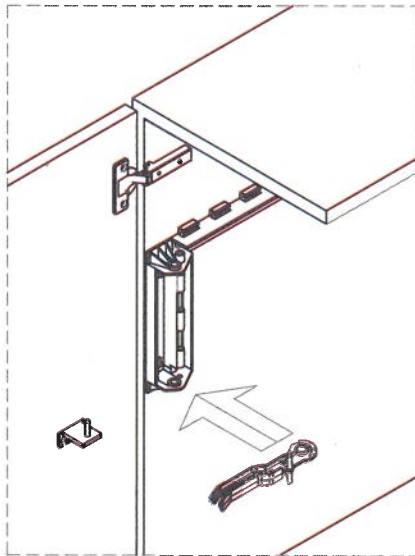
Left Side

1

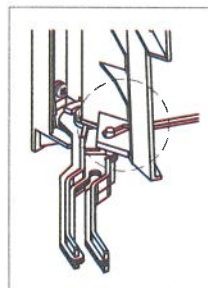
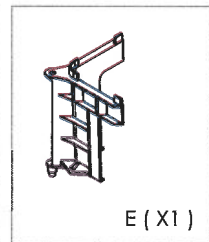
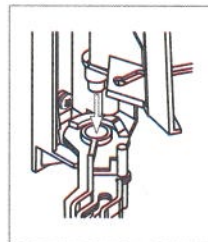
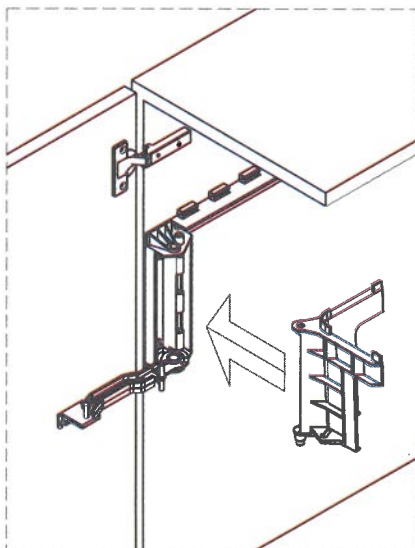


Drilling Pattern - Schema di Foratura

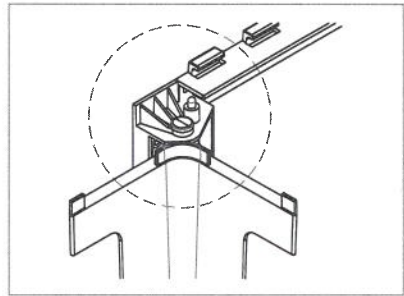
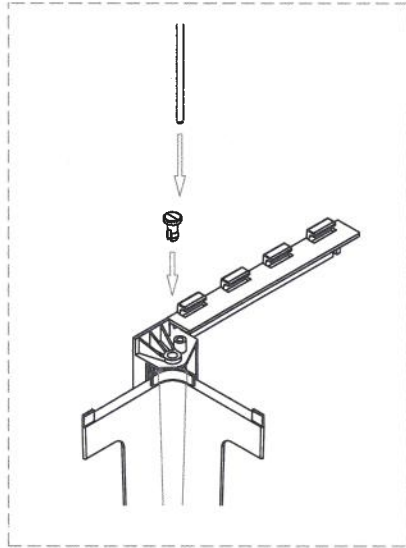
2



3



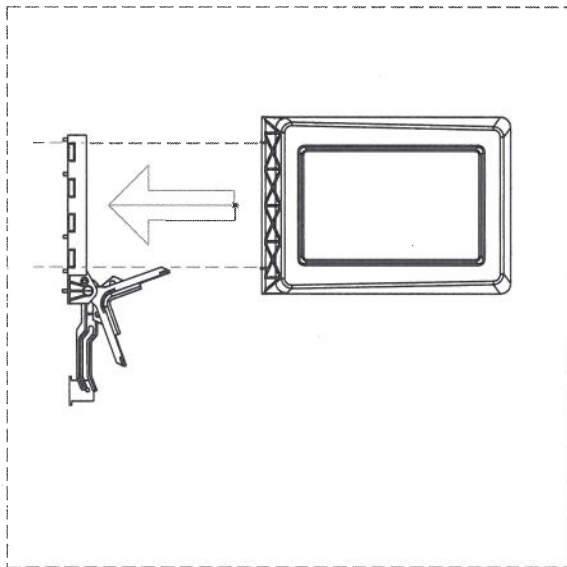
4



F(X1)

G(X1)

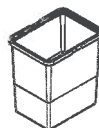
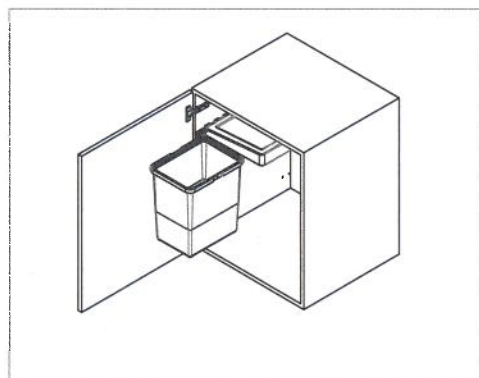
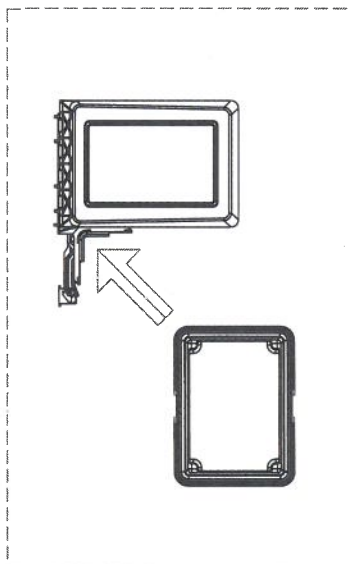
5



I(X1)



6



L(X1)