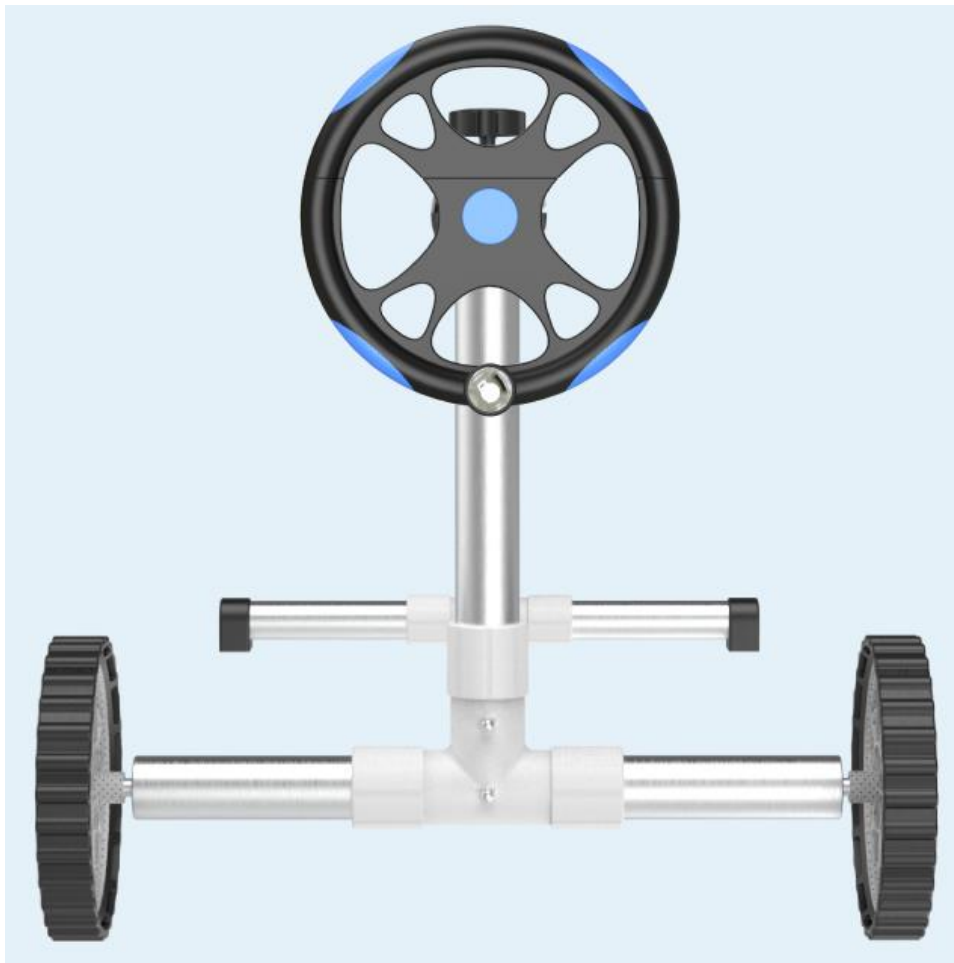


AREBOS

Pool Reel 3m – 5.7m

AR-HE-PA357N



Please follow all security measures in this user's manual to ensure a secure use.

Thank you for trusting in AREBOS.

List of Contents

1. Safety instructions	3
1.1 Explanation of symbols	3
1.2. Safety instructions	3
2. Technical Specifications.....	4
3. Parts List	4
4. Assembly.....	6
5. Environmentally friendly disposal	12
5.1 Disposal and packaging	12
5.2 Disposal of old equipment	12
Imprint	13

Thank you for purchasing our product. Please read the operating instructions carefully before using the product for the first time. If you give the product to a third party, this manual must be handed over with it. Keep the instruction manual for future reference. The drawings in this manual may not match the physical objects. Please refer to the physical objects.

1. Safety instructions

1.1 Explanation of symbols



Warning! Read the safety instructions carefully. Failure to follow the safety precautions could result in serious injury or damage. Keep the operating instructions in a safe place.



Warning! Danger of crushing hands!

1.2. Safety instructions

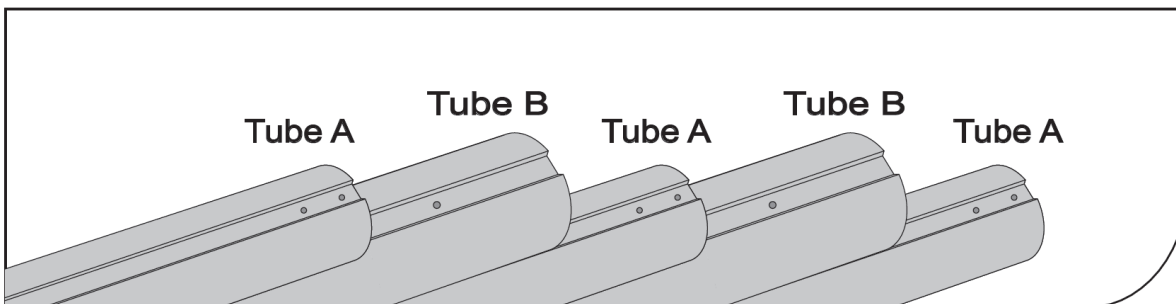
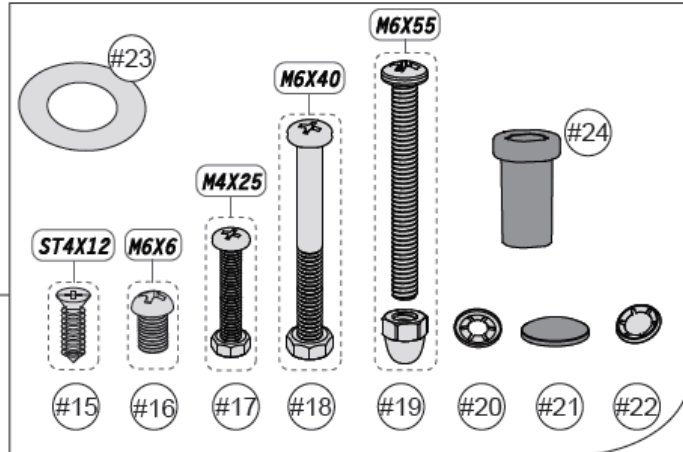
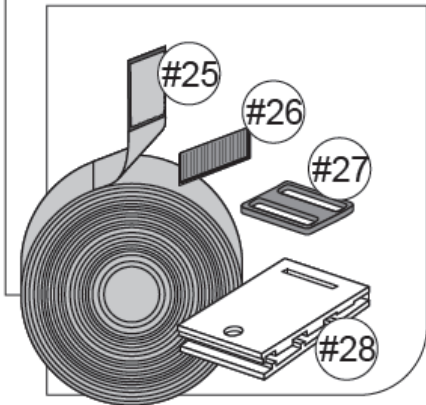
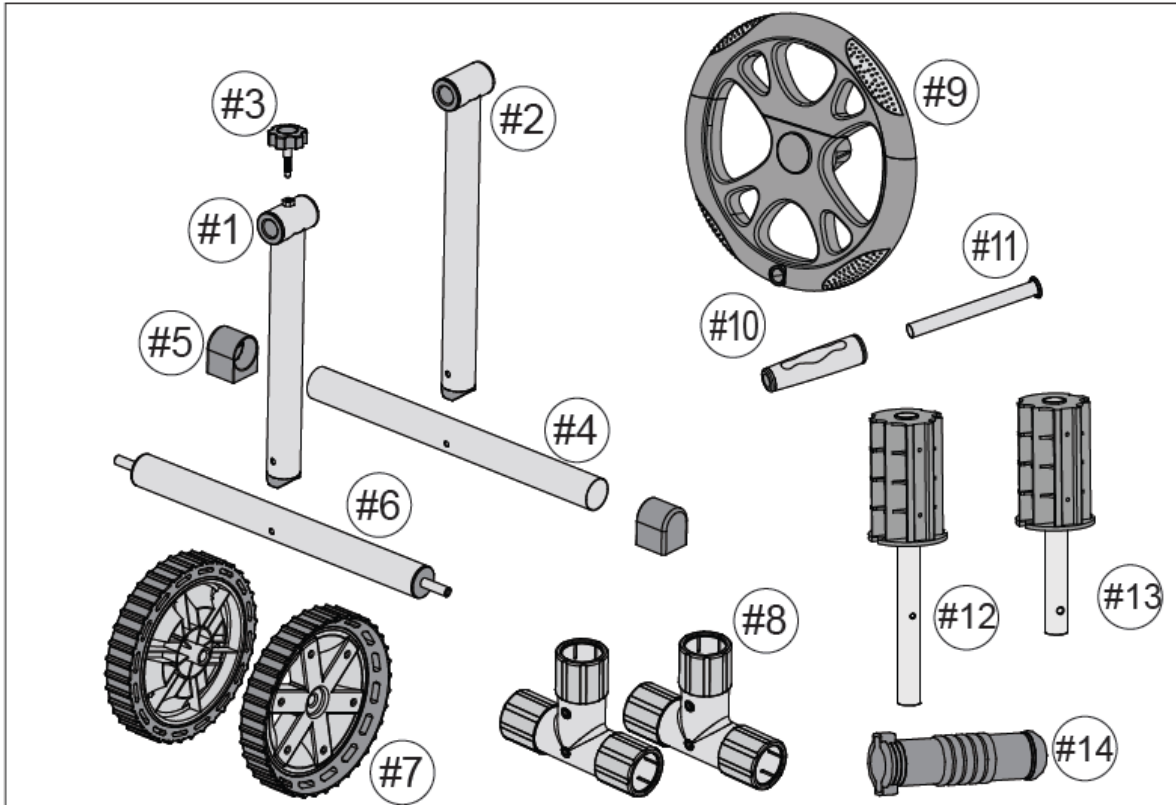
- The device works best when installed directly on the pool edge, where it copies the ideal direction of rewinding. In this way, the tarpaulin can't be damaged by the edge of the swimming pool.
- Incorrect placement of the rewinding device could seriously damage the tarpaulin!
- The pool cover reel and solar cover should be washed regularly with clean water to prevent build-up of chemical contaminants.
- For winter storage, the pool retractor should be stored in a dry place
- When rolling up and unrolling the cover, always keep an eye on the pool.
- The cover should be rolled up by a responsible (authorized) adult.
- Do not put your hand in the pool cover reel.

2. Technical Specifications

Model	AR-HE-PA357N
Length	9.84 ft up to 16.4 ft (3 – 5.70 m)
Diameter tube	2.95/3.15 in (75/80 mm)
Material thickness tube	0.0551 in (1.4 mm)
Material tube	Aluminium
Material mounting stand	Plastic
Weight	29.8 lbs (13.5 kg)

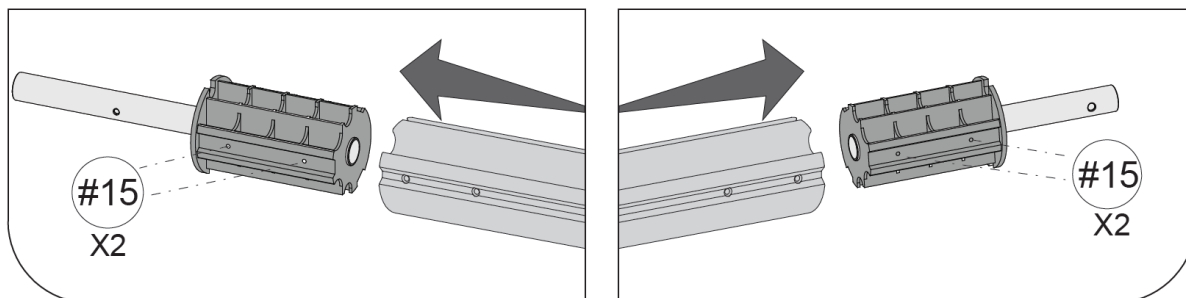
3. Parts List

Number (#)	Designation	Quantity
1	Frame (wheel side)	1
2	Frame (handle side)	1
3	Threaded knob	1
4	Frame (handle side)	1
5	End piece (handle side)	2
6	Frame (wheel side)	1
7	Wheel	2
8	Frame connector T-piece	2
9	Crank wheel	1
10	Crank handle	1
11	Shaft	1
12	Long hub	1
13	Short hub	1
14	Handle	1
15	Threaded bolt (ST4x12)	4
16	Flat head screw (M6x6)	12
17	Bolt and nut (short) (M4x25)	1
18	Bolt and nut (medium) (M6x40)	1
19	Bolt and nut (long) (M6x55)	4
20	Wheel lock washer	2
21	Cap	2
22	Cap	1
23	Washer	1
24	Impact device	1
25	Velcro fastener	8
26	Velcro sticker	8
27	Buckle	8
28	Cover clip	8

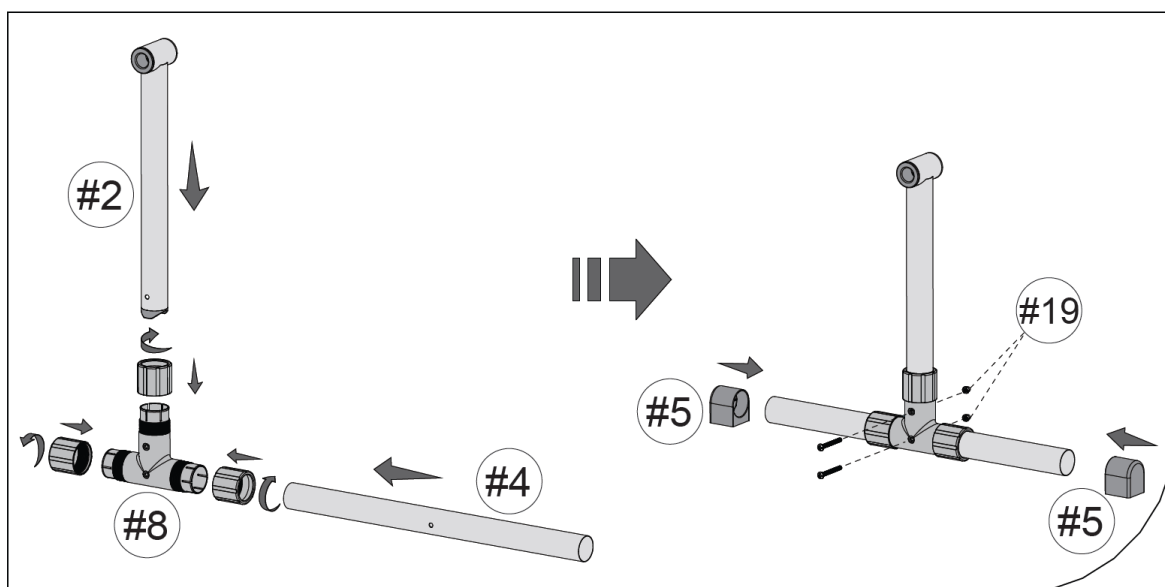


4. Assembly

1. Align the groove of the short hub "13" with the pre-drilled holes on the tube A and insert it into one end of the tube A. Secure this with two threaded screws (ST4x12) "15". Repeat the process by placing the long hub "12" into one end of tube B and secure this with two threaded screws (ST4x12) "15" as well.



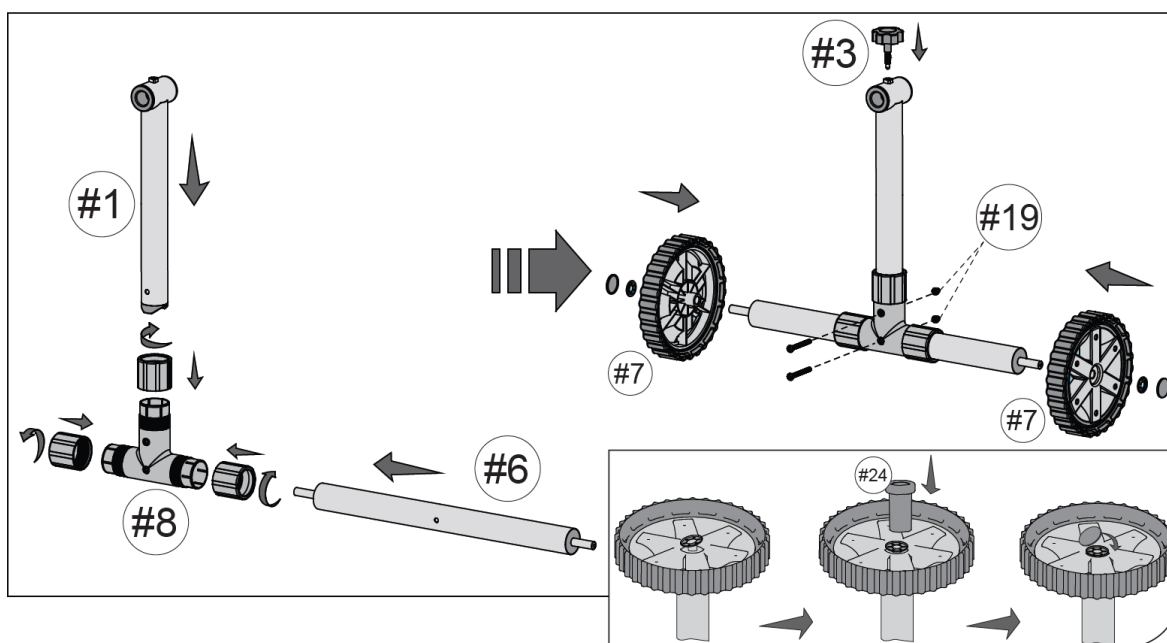
2. Push the frame (handle side) "2" into the frame connector T-piece "8". To do this, partially open the screw connection on T-piece "8". Push the frame (handle side) "4" through the frame connector T-piece "8". Push the end piece (handle side) "5" onto the frame (handle side) "4". To do this, close the screw connection on the T-piece "8" again. Secure the connections twice with the bolt and nut (long) (M6x55) "19".



3. Push the frame (wheel side) "1" into the frame connector T-piece "8". To do this, partially open the screw connection on T-piece "8". Push the frame (wheel side) "6" through the frame connector T-piece "8". To do this, partially open the screw connection on T-piece "8". To do this, close the screw connection on T-piece "8" again. Secure the connections twice with the screw and nut (long) (M6x55) "19". Screw threaded knob "3" into the top of the frame of (wheel side) "1".

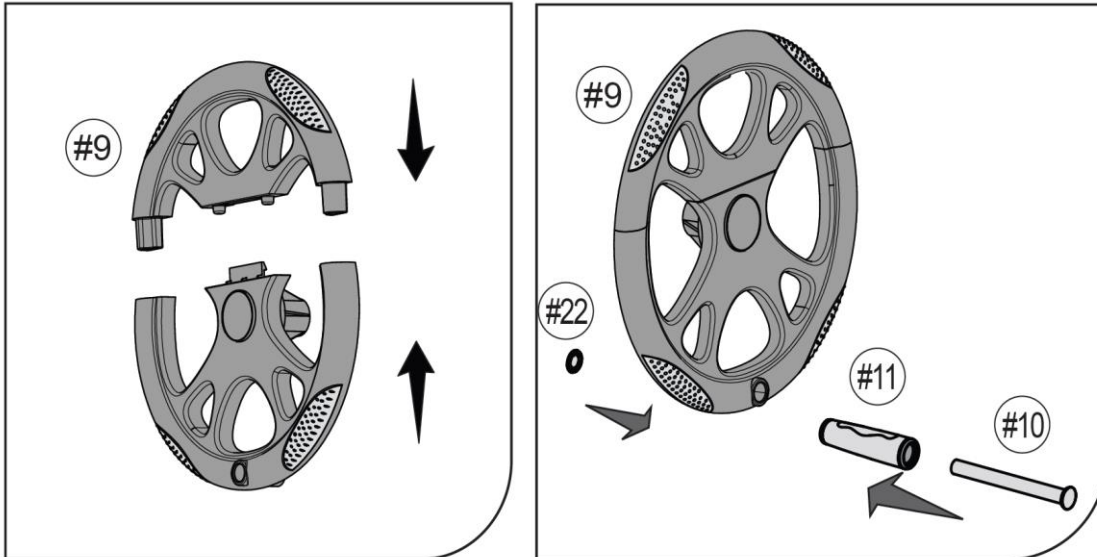
Slide wheel "7" onto the axle of frame (wheel side) "6" and align the centre of wheel lock washer "20" with the axle. Use the impact device "24" and a hammer (not included) to fix the wheel lock washer "20" to the axle. Snap the cap "21" onto the wheel "7".

Make sure that both wheels are fixed under the wheel lock washer "20" and roll smoothly before the next step.

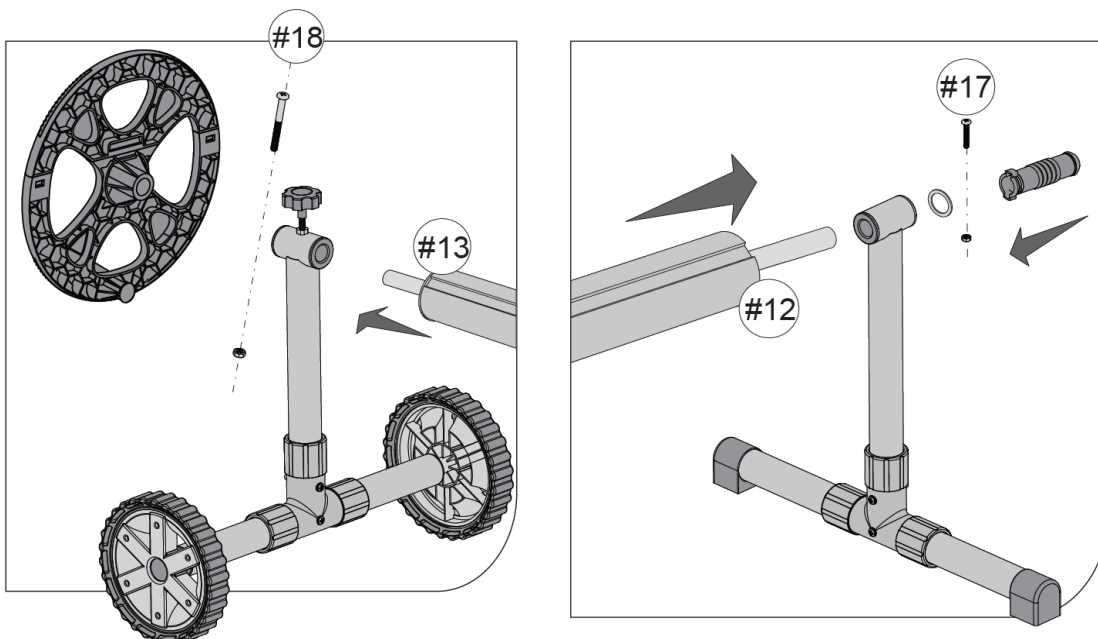


Tap the wheel lock ring "20" onto the wheel carrier using a hammer and the impact device "24" supplied. Then the black cap "21" must be put on.

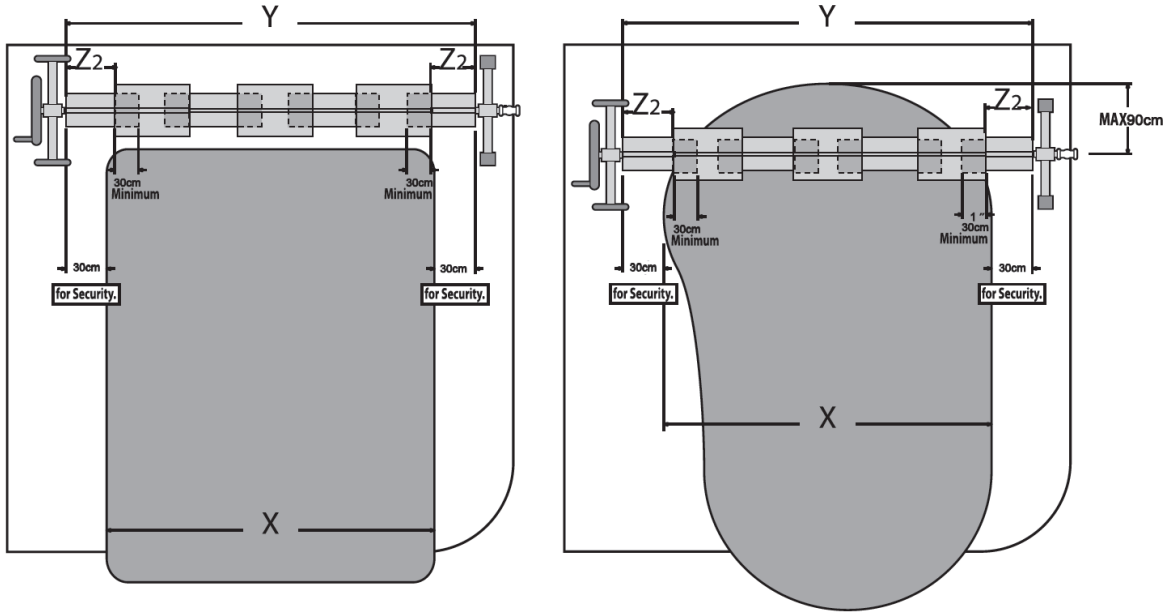
- Put the two parts of the crank wheel "9" together.
Insert the shaft "10" into the larger hole of the crank handle "11" and then through the hole of the crank wheel "9". Place the cap "22" on top of the shaft "11". Cover the closing cap "22" with the striking device "24". Hold the whole unit and use a hammer (not included) to fix the cap "22" using the hammer "24". Make sure that the cap "22" is firmly seated in the shaft "10".



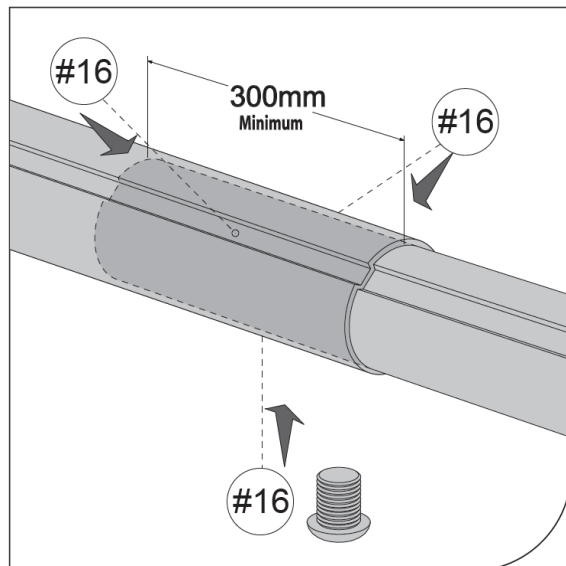
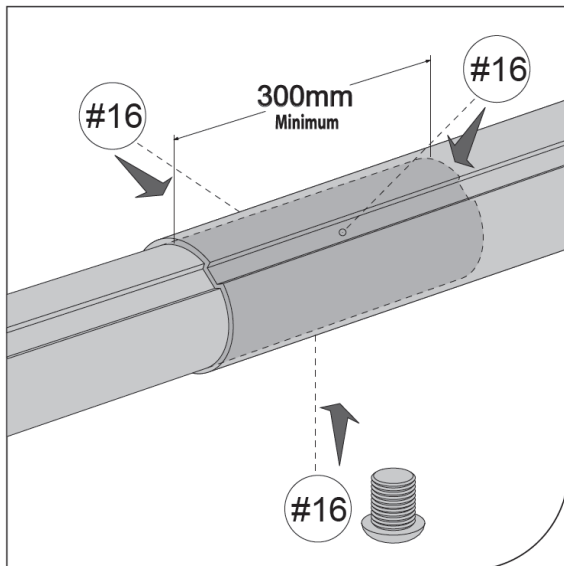
- Mount the short hub "13" on the frame (wheel side) "1" and push the crank wheel "9" with the handle onto the hub handle. Secure this operation with the bolt and nut (medium) (M6x40) "18". With the threaded knob "3", which you have to fix in the hole on the top of the frame (wheel side) "1", you can lock the spindle and the crank wheel in the right position. Mount the long hub "12" on the other frame (handle side) "2", place the washer "23" behind the frame and secure the assembly with the bolt and nut (short) (M4x25) "17". Slide the handle "14" onto the hub.



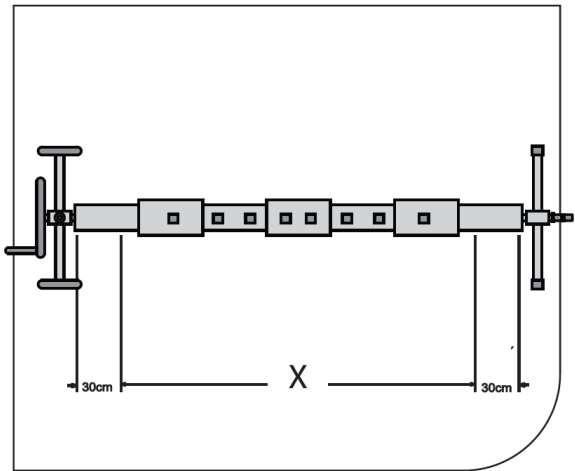
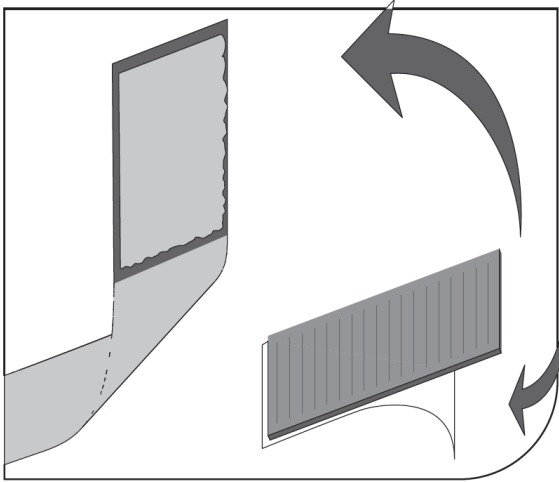
- Measure the longest width of your pool (from the inner edge) = X.
Put the pipes A and B together and move them until you have reached the required size Y.
Make sure that pipe B is centred exactly so that Z1 and Z2 are the same.
Also make sure that there is a minimum pipe overlap of 30 cm for safety. The largest circular hole on each inner pipe marks exactly the 30 cm overlap.



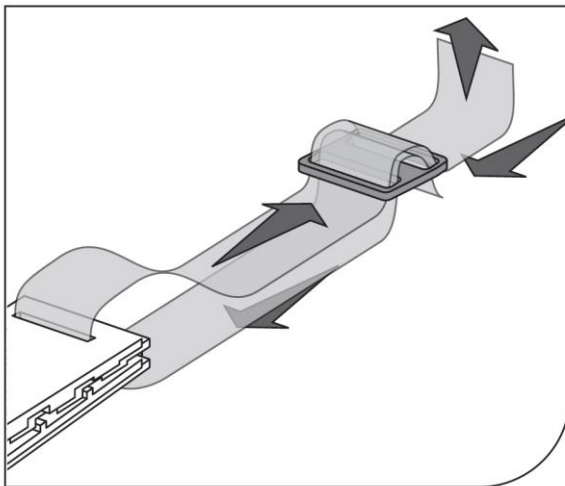
- Fix the three flat head screws (M6x6) "#16" in the pre-drilled holes on each side of tube B to secure the assembly.



8. Detach the eight Velcro stickers "26" from the Velcro tape "25" and peel off the protective layers. Stick them - in a straight line at equal distance - over the length X onto the pipes. Keep a safety distance of 30 cm from the two pipe ends!

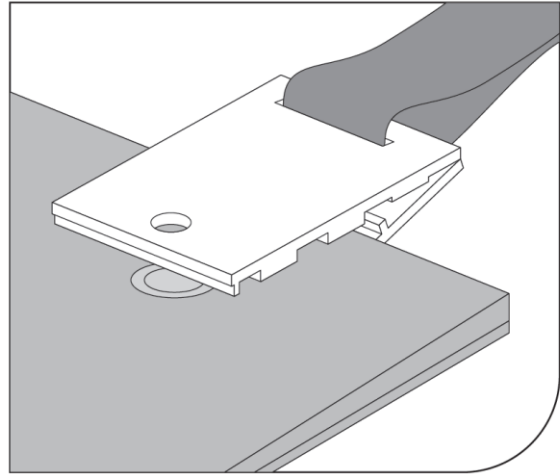
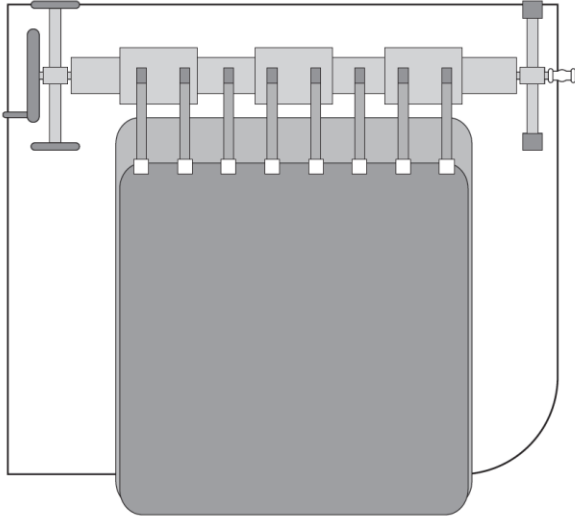


9. Fit the Velcro strap "25" to the buckles "22" and the cover clips "28" as shown in the picture. Do not click the clip shut yet!



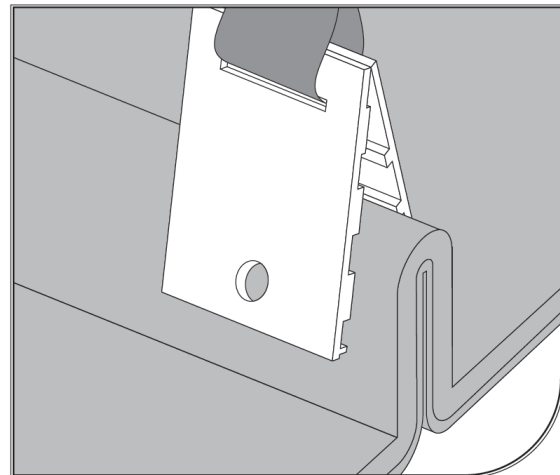
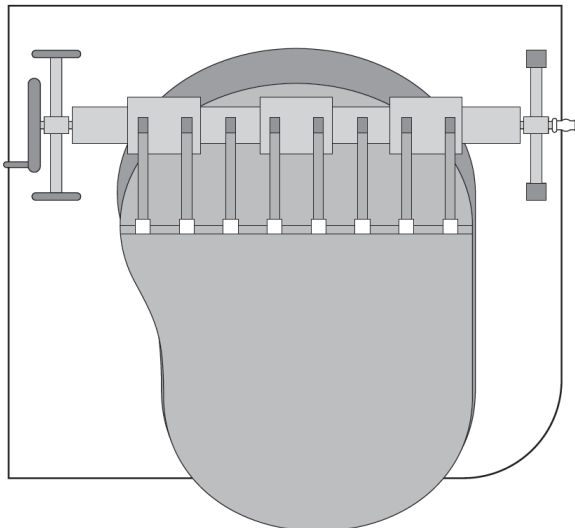
10. For rectangular above-ground pools.

Open the cover over the pool and place it in position. Attach the cover clips "28" to the cover, keeping the same regular spacing as for the Velcro stickers on the tubes (see picture). Make sure that the length of the Velcro allows the cover to lie flat on the pool so that no wind can get under the cover.




11. For round or oval above-ground pools

Open the cover over the pool and pinch it as shown in the picture. Attach the cover clips "28" to the cover, keeping the same regular spacing as for the Velcro stickers on the tubes (see picture). Make sure that the length of the Velcro allows the cover to lie flat on the pool so that no wind can get under the cover.



5. Environmentally friendly disposal

 **Warning! Danger of suffocation!** Packaging material is dangerous for children. Never let children play with packaging material.

5.1 Disposal and packaging

- The packaging of your unit consists of materials that are necessary to guarantee effective protection during transport. These materials are fully recyclable and therefore reduce the environmental impact. Dispose of the packaging in a bin for recyclable materials.

5.2 Disposal of old equipment

- Old appliances must be disposed of in accordance with the guidelines and regulations of the local waste disposal authority. Check with your local administration for the address of the nearest recycling centre and deliver your appliance there.

Our customer service number: Tel. +44 (0) 208 068 5604

Fax: +49 (0) 931 4523 2799 / E-Mail: info@arebos.de

Office address: Canbolat Vertriebs GmbH • Gneisenastraße 10-11 • 97074 Würzburg

Return address can be found in the imprint: <https://www.arebos.de/impressum/>

Imprint

Product name: AREBOS Pool Reel 3m – 5.7m
Model number: AR-HE-PA357N
Article number: 4252023109123

If this product is modified without our consent, it will void any warranty.

Date/Manufacturer Signature/Location:

Würzburg, 06 October 2022



Signature:
Dipl.-Inform. (Univ.) Korhan Canbolat, Managing Director

Representative of these instructions for use/technical data:
Dipl.-Inform. (Univ.) Korhan Canbolat, Managing Director

Office address:
Canbolat Vertriebs GmbH
Gneisenaustraße 10-11
D-97074 Würzburg

Return address can be found in the imprint: <https://www.arebos.de/impressum/>

VAT identification number: DE 263752326
Court of the Commercial Register is Würzburg, HRB 10082
WEEE Reg.-No. DE 61617071