









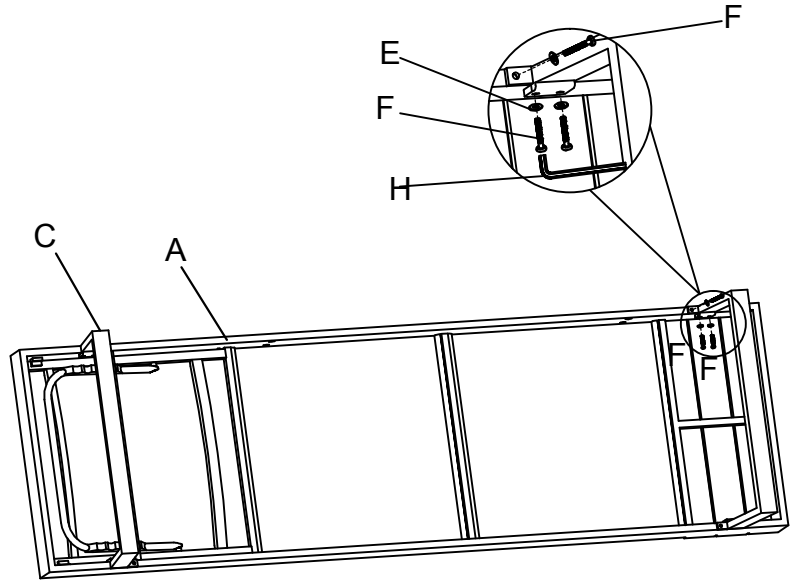


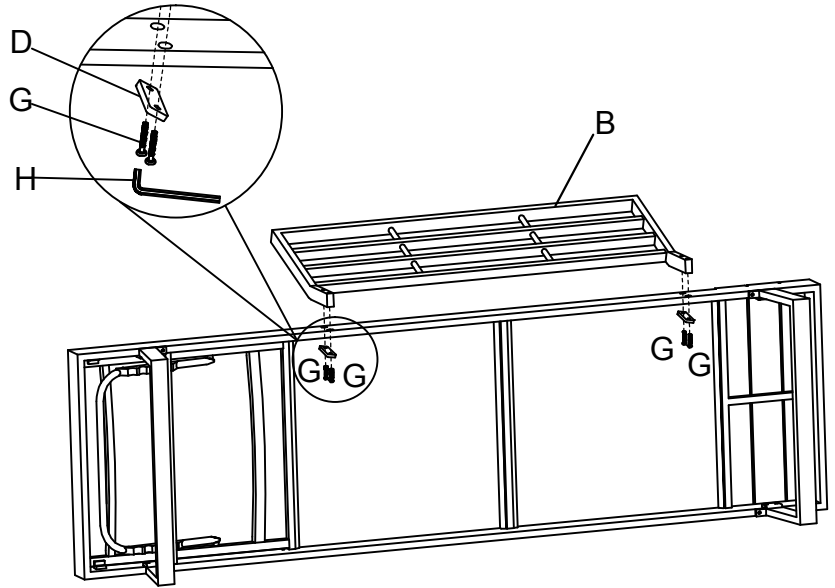
NO.	PICTURE	QTY
A		1PC
B		1PC
C		2PCS
D		2PCS
E	 $\phi 6 \times 16 \text{mm}$	12PCS
F	 6x18mm	12PCS
G	 6x40mm	4PCS
H		1PC
I		3PCS
J		2PCS

## Assembly Instruction

### Step1



### Step2



### Step3

