



VONROC®

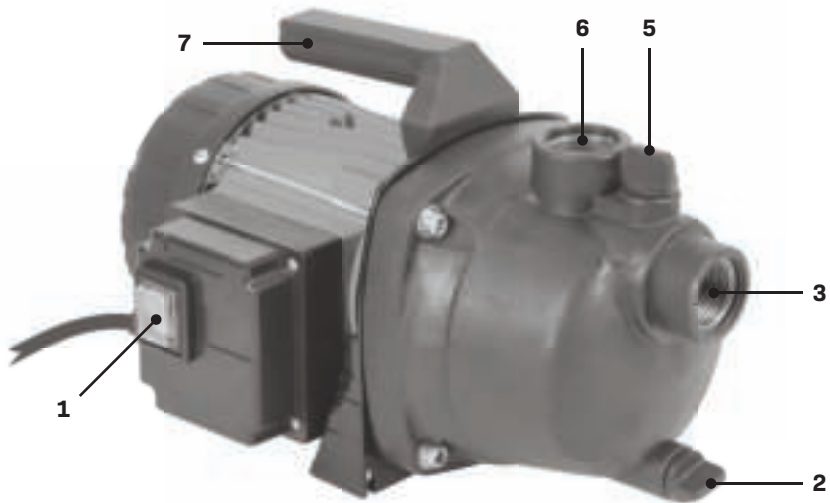
BUILD YOUR FUTURE

GARDEN PUMP GP525AC / GP526AC

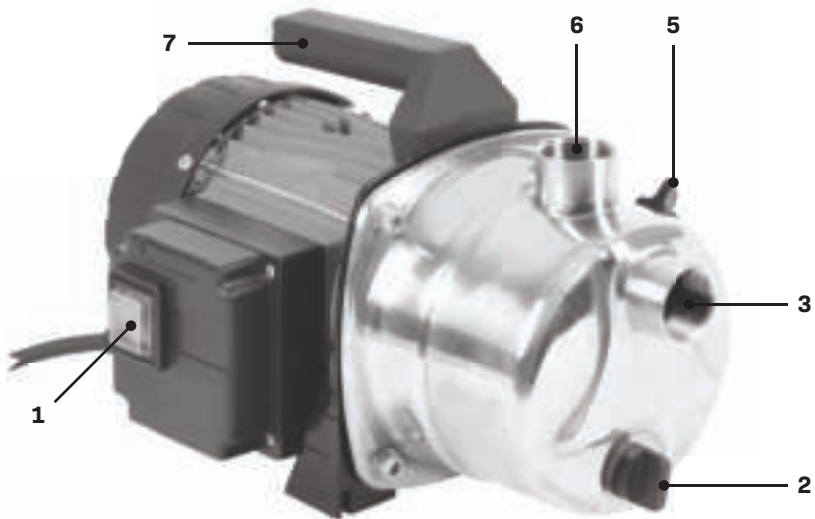


EN Original Instructions	06
DE Übersetzung Der Originalbetriebsanleitung	11
NL Vertaling van de oorspronkelijke gebruiksaanwijzing	17
FR Traduction de la notice originale	22
ES Traducción del manual original	28
IT Traduzione delle istruzioni originali	33
SV Översättning av bruksanvisning i original	39
DA Oversættelse af den originale brugsanvisning	43
PL Tłumaczenie instrukcji oryginalnej	48
RO Traducere a instrucțiunilor originale	54

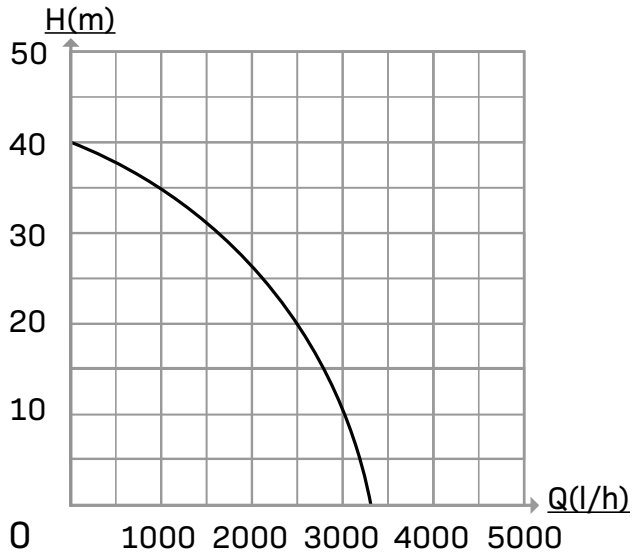
A1 GP525AC



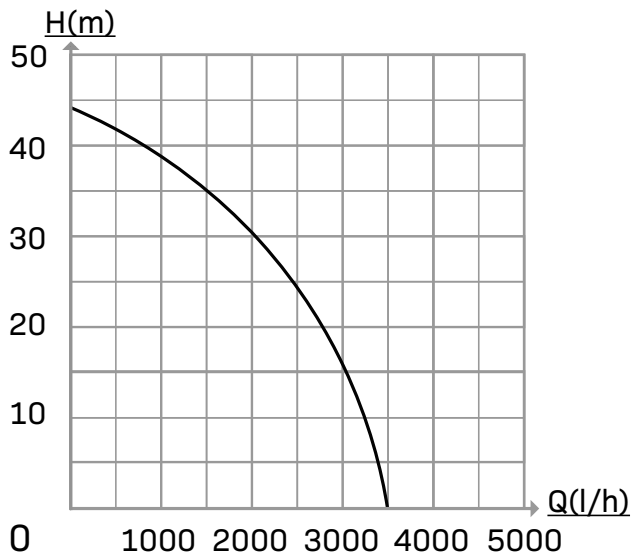
A2 GP526AC

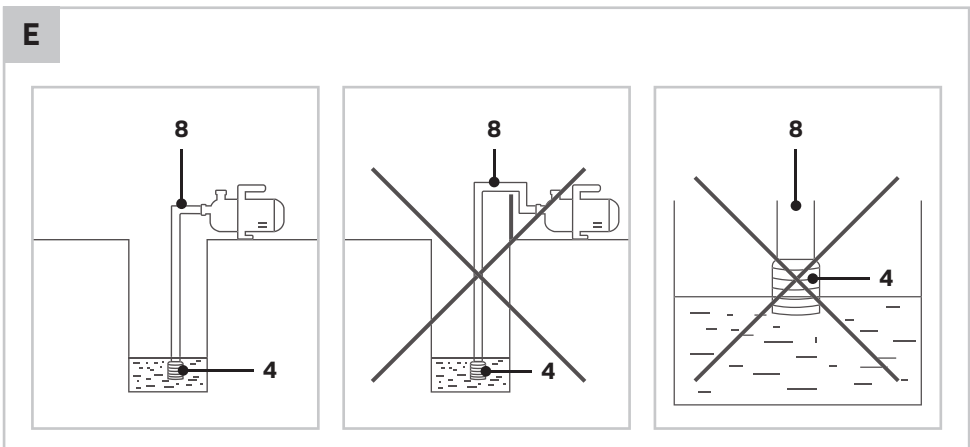
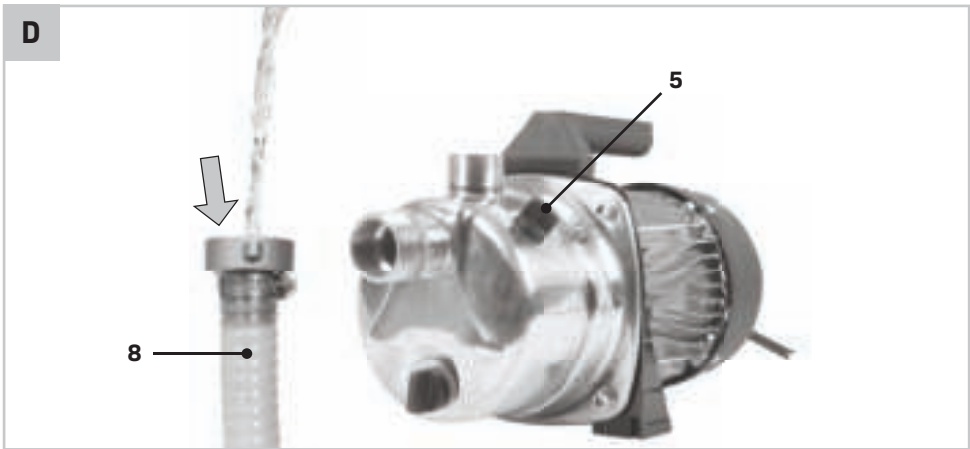
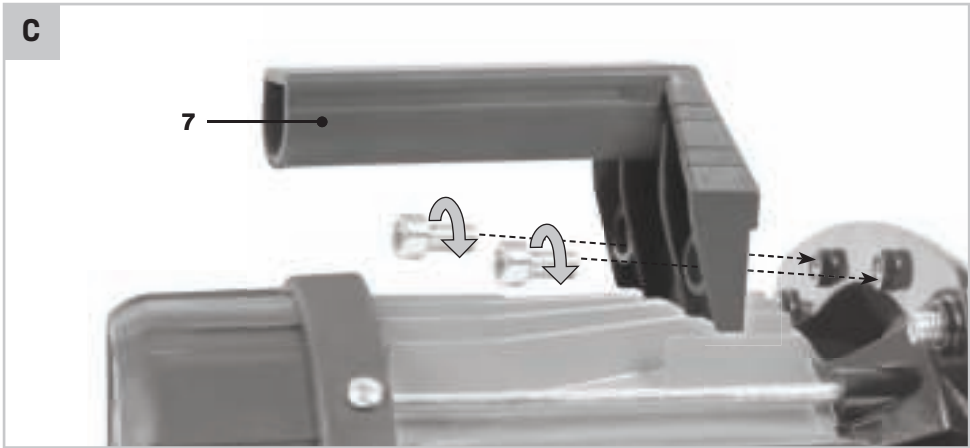


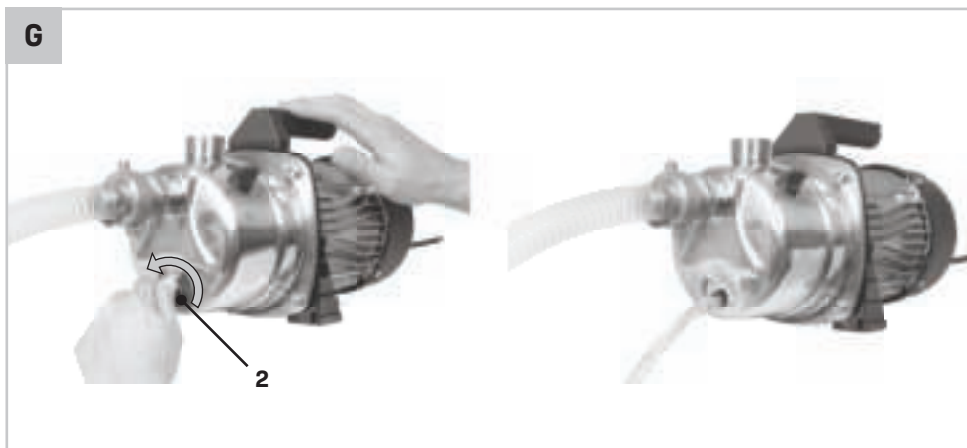
B1 GP525AC



B2 GP526AC







1. SAFETY INSTRUCTIONS

Read the enclosed safety warnings, the additional safety warnings and the instructions. Failure to follow the safety warnings and the instructions may result in electric shock, fire and/or serious injury. Save the safety warnings and the instructions for future reference.

The following symbols are used in the user manual or on the product:



Read the user manual.



Denotes risk of personal injury, loss of life or damage to the tool in case of nonobservance of the instructions in this manual.



Indicates electrical shock hazard.



Protect the appliance against frost.



Max depth.



GP525AC: The guaranteed sound power level LWA = 77 dB(A)



GP526AC: The guaranteed sound power level LWA = 81 dB(A)



Do not dispose of the product in unsuitable containers.



The product is in accordance with the applicable safety standards in the European directives.

SAFETY NOTES

THIS APPLIANCE CAN BE USED BY CHILDREN AGED FROM 8 YEARS AND ABOVE AND PERSONS WITH REDUCED PHYSICAL, SENSORY OR MENTAL CAPABILITIES OR LACK OF EXPERIENCE AND KNOWLEDGE IF THEY HAVE BEEN GIVEN SUPERVISION OR INSTRUCTION CONCERNING USE OF THE APPLIANCE IN A SAFE WAY AND UNDERSTAND THE HAZARDS INVOLVED. CHILDREN SHALL NOT PLAY WITH THE APPLIANCE. CLEANING AND USER MAINTENANCE SHALL NOT BE MADE BY CHILDREN WITHOUT SUPERVISION. IF THE SUPPLY CORD IS DAMAGED, IT MUST BE REPLACED BY THE MANUFACTURER, ITS SERVICE AGENT OR SIMILARLY QUALIFIED PERSON

IN ORDER TO AVOID A HAZARD. THE PLUG MUST BE REMOVED FROM THE SOCKETOUTLET BEFORE CLEANING OR MAINTAINING THE APPLIANCE.

Please read these instructions carefully and thoroughly before using this appliance and keep them for future reference. It is very important that you understand how to use this appliance safely so please take the time to familiarise yourself with the requirements as outlined in these instructions.

- If you are in any doubt what so ever about using this appliance, we strongly recommend that you employ the services of a suitably qualified person.
- Electrical connection must be protected by a residual current device (RCD) at the power socket with a nominal trip current of 30mA (max).
- Keep children and pets well away from the work area and never allow children to use this appliance or touch the extension cord at any time. When not in use, keep this appliance stored in a safe place out of reach of children.
- Never leave the appliance unattended when in use.
- Never pull the appliance by its power cord. Carry it using the carry handle.
- Do not allow the power cord to lay on or across sharp objects that might pierce the outer insulation. Carry out a visual inspection of the power cord before use and if it is damaged, have it replaced by a specialist service centre. Do not use the appliance if the cord is damaged.
- Keep the power cord away from heat, frost, oil, solvents or any sharp objects or edges.
- Electrical connections e.g. extension cable, must be protected from moisture at all times.
- Check that the power rating on your appliance corresponds with the power rating at you mains supply. The supply voltage must be 230VAC.
- Never run this appliance dry - out of the water. If the appliance overheats, the thermal cut-out will switch it off. If this happens wait 5 minutes before using the appliance again.
- Only switch the power back on with dry hands.
- Never use this appliance in a pond or swimming pool while people are present in the water!
- Do not use the pump for drinking water.
- Corrosive, flammable or explosive substances, grease, oil, salt water and sewage must not be conveyed by the pump.

- The pH of water must be between 6.5 and 8.5.
- The temperature of the liquid conveyed may not exceed 35 °C.

Electrical safety

When using electric machines always observe the safety regulations applicable in your country to reduce the risk of fire, electric shock and personal injury. Read the following safety instructions and also the enclosed safety instructions.



Always check that the power supply corresponds to the voltage on the rating plate.

Connecting to the power supply

Check that the power supply and plug used in accordance with your machine. Have a look at the rating plate on the machine. Any changes should always be carried out by a qualified electrician.



Warning! This machine must be earthed. If not properly earthed this machine can cause an electrical shock. Be sure that the power supply outlet is earthed. If there is any doubt, have it checked by a qualified electrician.



Warning! Avoid contact with the terminals on the plug when installing (removing) the plug to (from) the power supply outlet. Contact will cause a severe electrical shock.

Replacing cables or plugs

If the supply cord is damaged, it must be replaced by the manufacturer, its service agent or similarly qualified persons in order to avoid a hazard. Immediately throw away old cables or plugs when they have been replaced by new ones. It is dangerous to insert the plug of a loose cable in the wall outlet.

Using extension cables

Only use an approved extension cable suitable for the power input of the machine. The minimum conductor size is 1.5 mm². When using a cable reel always unwind the reel completely.

2. MACHINE INFORMATION

The garden pump is intended for private use for irrigation of gardens, it is not intended for commercial use. Explosive, corrosive, flammable substances, sewage, salt water, grease and oil must not be conveyed by the pump.

It is solely intended for pumping clear and rain water. The particle sizes of the solids in the water must not exceed the maximum particle size specified in the technical data.

This pump is not designed for continuous operation (e.g. as a swimming pool or pond circulation pump).

TECHNICAL SPECIFICATIONS

Model No.	GP525AC	GP526AC
Pump housing	Plastic	Stainless steel
Voltage	230 VAC / 50Hz	
Input power	800W	1000W
Max. flow rate (Fig. B)	3300l/h	3500l/h
Max. pressure	4 bar	4.4 bar
Max. pumping height (Fig. B)	40m	44m
Max. self-priming suction height	8m	
Max. particle size	1 mm (clean water)	
Max. water temperature	35°C	
Protection	IPX4	
Pressure connection	G1" internal thread	
Suction connection	G1" internal thread	
Recommended inner hose diameter (suction hose)	25mm, 32mm, 38mm	
Cable length	1.2m	
Weight	5.5 kg	6.32 kg
Sound pressure level L _{PA}	62.6 dB(A) K = 2.22 dB(A)	66.2 dB(A) K = 2.66 dB(A)
Sound power level L _{WA}	74.5 dB(A) K = 2.22 dB(A)	78.1 dB(A) K = 2.66 dB(A)

DESCRIPTION

The numbers in the text refer to the diagrams on page 2-5.

1. ON/OFF switch
2. Drain plug
3. Water inlet
4. Foot valve / backflow preventer (not included)
5. Filling plug
6. Water outlet
7. Carry handle
8. Suction hose (not included)

3. ASSEMBLY



Before carrying out any work on the pump, disconnect the mains plug from the power supply.

Mounting the handle (Fig. C)

1. Put the handle (7) on the pump, as shown on figure C.
2. Mount the handle (7) by tightening the two screws.

Installing the pump (Fig. E)

The pump should be installed in ventilated and dry environment. It could be installed outside, provided having proper covering to prevent rain and wind. Make sure the pump is placed on the horizontal and stable ground. Always put up the garden pump at a point higher than the water surface, as shown on figure E.

Attaching the suction hose (Fig. A, D, E)



Don't use any hose connection system fittings or standard water hoses on the suction side! A suction hose (8) set with suitable coupling (G1" external thread) and foot valve (4) must be used. The foot valve (4) prevents the return flow of the water at the end of the pumping process.



25mm, 32mm or 38mm (inner diameter) suction hose (8) must be used to achieve maximum flow rate.



The suction hose (8) should be as short as possible.

1. Fill suction hose (8) with clean tap water, as shown on figure D.
2. Apply thread seal tape (Teflon tape) to the threaded suction hose coupling.
3. Screw the suction hose coupling airtight into the water inlet.
4. The foot valve (4) must be placed vertically and at least 30 cm from the water bottom to prevent the suction of sand and stones, as shown on figure E.

Attaching the outlet hose (Fig. A)



The larger the hose and hose connector diameter, the greater the flow.



The lower the delivery height, the greater the flow.

1. Decide which hose diameter and hose connection system fittings you are going to use.
2. Apply thread seal tape (Teflon tape) to the chosen threaded coupling.
3. Screw the coupling (not included) into the water outlet (6).
4. Connect the hose (not included) to the coupling.
5. Check that the hose has no kinks in it.

Filling the pump with water (Fig. A, F)

1. Unscrew and remove the filling plug (5).
2. Fill the pump with clean tap water, as shown on figure F. Do not overfill the pump.
3. Place the filling plug (5) back, do not overtighten.

4. OPERATION



Never use this pump in a pond or swimming pool while people are present in the water!



Only switch the power on or off with dry hands.



Never run this pump before the pump and the suction hose (8) is filled with water.



Clean the foot valve (not included) and pre-filter (not included) at regular intervals, and check it for damage. Otherwise, its function can be impaired.

Switching on/off (Fig. A)

1. Check that the ON/OFF switch (1) is in the 'O' position before connecting the pump to the power supply.
2. Move the ON/OFF switch (1) into the position 'I' to switch the pump on. When you start the pump, there will be a lot of air in the water first. This is not a defect of your pump, but serves to remove air from the pump. It may take several minutes for the air to escape when the pump is immersed for the first time.
3. Move the ON/OFF switch (1) into the position 'O' to switch the pump off.

Finish operation (Fig. A, G)



Do not touch the pump unless its power has been cut off for at least 5 minutes.



When there is the risk of frost or if you do not use your pump for a long time, please properly store your pump.

1. Check that the ON/OFF switch (1) is in the 'O' position.
2. Remove the mains plug from the mains.
3. Unscrew and remove the drain plug (2). Let the water drain.
4. Pull up the suction hose (be aware, it is full of water).
5. Unscrew the suction hose (8) from the water inlet (3).
6. Remove the filter and foot valve (4), then rinse with clear water. Make sure that there is no water left in the suction hose (8).
7. Remove the water hose from the water outlet (6). Unscrew the coupling from the water outlet (6).
8. Place the drain plug (2) back, do not overtighten.
9. Clean and store the device (see 'Maintenance')

5. MAINTENANCE



Before cleaning and maintenance, always switch off the machine and remove the mains plug from the mains.

Clean the machine casings regularly with a soft cloth, preferably after each use. Remove very persistent dirt using a soft cloth moistened with soapsuds. Do not use any solvents such as gasoline, alcohol, ammonia, etc. Chemicals such as these will damage the synthetic components. If the appliance appears to be blocked, switch off the power at the mains, remove the plug from the socket and check the appliance for blockages. Clean suction hose, foot valve, pre-filter and pump.

STORAGE AND FROST POTECTION

The garden pump and accessories that are not completely drained can be destroyed by frost. Completely drain the garden pump and accessories and protect them against frost. Keep this appliance in well-ventilated dry premises with temperature not going below +5°C.

When not in use, keep this appliance stored in a safe place out of reach of children.

TROUBLE SHOOTING GUIDE

Problem	Cause	Remedy
Pump does not start	No mains supply	Check mains supply
Pump is active but no water is being delivered (after being started for more than 5 minutes)	The pump is not fully filled with water	Re-fill the pump with water and check the suction hose foot valve
	Air in the suction hose	Check sealing of various joints of the suction hose
	Water level is too low	Adjust installation height of the pump (< 8 m)
	Suction hose, foot valve, pre-filter or pump is blocked	Clean suction hose, foot valve, pre-filter or pump

Insufficient pressure	Incorrect pump type	Select suitable pump
	The suction hose is too long or with too many bends, suction hose diameter is not selected as required	25mm, 32mm or 38mm (inner diameter) suction hose must be used to achieve maximum flow rate. Make the suction hose shorter
	Suction hose, foot valve, pre-filter or pump is blocked	Clean suction hose, foot valve, pre-filter or pump
	The outlet hose is incorrectly or incorrectly installed	Check the outlet hose and connections. The larger the diameter of the hose and the hose connection, the greater the flow. The lower the delivery height, the greater the flow
Pump will not start or stops during use	Thermal overload safety switch has activated	Disconnect from the power supply, leave for 5 minutes and clean suction hose, foot valve, pre-filter or pump
Pump switched off after short operating periods	Power has tripped	Check fuses and electrical connections
	Water too hot	Ensure that the water temperature has not exceeded the maximum of 35°C

WARRANTY

VONROC products are developed to the highest quality standards and are guaranteed free of defects in both materials and workmanship for the period lawfully stipulated starting from the date of original purchase. Should the product develop any failure during this period due to defective material and/or workmanship then contact VONROC directly.

The following circumstances are excluded from this guarantee:

- Repairs and or alterations have been made or attempted to the machine by unauthorized service centers;
- Normal wear and tear;
- The tool has been abused, misused or improperly maintained;
- Non-original spare parts have been used.

This constitutes the sole warranty made by company either expressed or implied. There are no other warranties expressed or implied which extend beyond the face hereof, herein, including the implied warranties of merchantability and fitness for a particular purpose. In no event shall VONROC be liable for any incidental or consequential damages. The dealers remedies shall be limited to repair or replacement of nonconforming units or parts.

The product and the user manual are subject to change. Specifications can be changed without further notice.

ENVIRONMENT



Faulty and/or discarded electrical or electronic apparatus have to be collected at the appropriate recycling locations.

Only for EC countries

Do not dispose of power tools into domestic waste. According to the European Guideline 2012/19/EU for Waste Electrical and Electronic Equipment and its implementation into national right, power tools that are no longer usable must be collected separately and disposed of in an environmentally friendly way.

1. SICHERHEITSANWEISUNGEN

Lesen Sie die beigelegten Sicherheitswarnungen, die zusätzlichen Sicherheitswarnungen und die Anweisungen. Die Nichteinhaltung der Sicherheitswarnungen und der Anweisungen kann in einem Stromschlag, Brand und/oder in schweren Verletzungen resultieren. Bewahren Sie die Sicherheitswarnungen und Anweisungen für künftige Referenzzwecke auf.

Die folgenden Symbole werden im Benutzerhandbuch oder auf dem Produkt verwendet:



Lesen Sie das Benutzerhandbuch.



Lebens- und Verletzungsgefahr und Gefahr von Beschädigungen am Werkzeug/ Gerät bei Nichteinhaltung der Anweisungen in dieser Bedienungsanleitung.



Deutet das Vorhandensein elektrischer Spannung an.



Gerät vor Frost schützen.



Max. Tiefe.



GP525AC: Garantierter Schallleistungspegel LWA = 77 dB(A)



GP526AC: Garantierter Schallleistungspegel LWA = 81 dB(A)



Entsorgen Sie das Produkt nicht in hierfür nicht vorgesehenen Abfallbehältern.



Das Produkt entspricht den geltenden Sicherheitsnormen der europäischen Richtlinien.

SICHERHEITSHINWEISE

DIESES GERÄT KANN VON KINDERN AB 8 JAHREN UND DARÜBER SOWIE VON PERSONEN MIT VERRINGERTEN PHYSISCHEN, SENSORISCHEN ODER MENTALEN FÄHIGKEITEN ODER MANGEL AN ERFAHRUNG UND WISSEN BENUTZT WERDEN, WENN SIE BEAUFSICHTIGT ODER BEZÜGLICH DES SICHEREN GEBRAUCHS DES GERÄTES UNTERWIESEN WURDEN UND DIE DARAUS RESULTIERENDEN GEFAHREN VERSTEHEN. KINDER DÜRFEN NICHT MIT DEM GERÄT

SPIELEN. REINIGUNG UND BENUTZER-WARTUNG DÜRFEN NICHT VON KINDERN OHNE BEAUFSICHTIGUNG DURCHGEFÜHRT WERDEN. BESCHÄDIGTE NETZKABEL MÜSSEN DURCH DEN HERSTELLER, DESSEN KUNDENDIENST ODER ÄHNLICH QUALIFIZIERTE FACHLEUTE AUSGETAUSCHT WERDEN, UM GEFAHRENSITUATIONEN ZU VERMEIDEN. DER STECKER MUSS VOR DER REINIGUNG ODER WARTUNG DES GERÄTS AUS DER STECKDOSE GEZOGEN WERDEN.

Bitte lesen Sie diese Anleitung vor dem Gebrauch des Geräts sorgfältig und gründlich durch und bewahren Sie sie zum späteren Nachschlagen auf. Es ist sehr wichtig, dass Sie genau verstehen, wie Sie dieses Gerät sicher verwenden können. Nehmen Sie sich daher bitte die Zeit, sich mit den Anforderungen in dieser Anleitung vertraut zu machen.

- Wenn Sie Zweifel haben, wie Sie dieses Gerät richtig verwenden, empfehlen wir Ihnen dringend, die Dienste einer entsprechend qualifizierten Person in Anspruch zu nehmen.
- Der elektrische Anschluss muss durch eine Fehlerstromschutzeinrichtung (RCD) an der Steckdose mit einem Nennauslösestrom von maximal 30 mA geschützt werden.
- Halten Sie Kinder und Haustiere vom Arbeitsbereich des Geräts fern und erlauben Sie Kindern niemals, es zu benutzen oder das Verlängerungskabel zu berühren. Das Gerät an einem sicheren Ort außerhalb der Reichweite von Kindern lagern, wenn es nicht in Gebrauch ist.
- Lassen Sie das Gerät nie unbeaufsichtigt, während es läuft.
- Ziehen Sie das Gerät niemals am Stromkabel. Transportieren Sie es nur am Tragegriff.
- Das Stromkabel nicht auf oder über spitze Objekte legen, welche die Außenisolierung durchbohren könnten. Eine Sichtprüfung des Stromkabels durchführen, und wenn das Kabel beschädigt ist, von einem speziellen Servicezentrum austauschen lassen. Das Gerät nicht verwenden, wenn das Kabel beschädigt ist.
- Halten Sie das Stromkabel von Hitze, Frost, Öl, Lösungsmitteln und scharfen Gegenständen oder Kanten fern.
- Elektrische Verbindungen, z.B. Verlängerungskabel, müssen jederzeit vor Feuchtigkeit geschützt werden.
- Überprüfen Sie, ob die Nennleistung des Geräts mit der Nennleistung Ihres Stromnetzes

übereinstimmt. Die Versorgungsspannung muss 230VAC betragen.

- Lassen Sie dieses Gerät niemals trocken - also außerhalb des Wassers - laufen. Wenn sich das Gerät überhitzt, schaltet der Thermoschutzschalter das Gerät ab. Warten Sie in dem Fall 5 Minuten, bevor Sie das Gerät wieder verwenden.
- Schalten Sie den Strom nur mit trockenen Händen wieder ein.
- Benutzen Sie dieses Gerät niemals in einem Teich oder Schwimmbad, solange sich Personen im Wasser aufhalten!
- Verwenden Sie die Pumpe nicht für Trinkwasser.
- Ätzende, entflammbare oder explosive Stoffe, Fett, Öl, Salzwasser und Abwasser dürfen von der Pumpe nicht gefördert werden.
- Der pH-Wert des Wassers muss zwischen 6,5 und 8,5 liegen.
- Die Temperatur der geförderten Flüssigkeit darf 35 °C nicht überschreiten.

Sicherheit bei Elektrizität

Beachten Sie bei der Arbeit mit elektrischen Werkzeugen/Geräten stets die in Ihrem Land geltenden Sicherheitsvorschriften, um Personenschäden, Stromschläge und Brände zu vermeiden. Lesen Sie die folgenden Sicherheitshinweise sowie die beiliegenden Sicherheitshinweise sorgfältig durch.



Stellen Sie immer sicher, dass die Spannung der Stromversorgung der Nennspannung auf dem Typenschild des Werkzeugs/ Geräts entspricht.

Anschluss an die Stromversorgung

Überprüfen Sie, ob die Werte auf dem Netzteil und dem verwendeten Stecker mit denen Ihres Geräts übereinstimmen. Beachten Sie das Typenschild an der Maschine. Änderungen dürfen nur von einem qualifizierten Elektriker durchgeführt werden.



Warnung! Dieses Gerät muss geerdet werden. Wenn dieses Gerät nicht ordnungsgemäß geerdet ist, kann es einen Stromschlag verursachen. Stellen Sie sicher, dass die Netzsteckdose geerdet ist. Lassen Sie diese Punkte im Zweifelsfall von einem qualifizierten Elektriker überprüfen.



Warnung! Vermeiden Sie beim Einstecken (bzw. Herausziehen) des Steckers in die (bzw. aus der) Steckdose den Kontakt mit den Anschlüssen des Steckers. Ein Kontakt verursacht einen schweren Stromschlag.

Austauschen von Kabeln oder Steckern

Wenn die Anschlussleitung beschädigt wird, muss sie durch eine besondere Anschlussleitung ersetzt werden, die vom Hersteller oder seinem Kundendienst erhaltlich ist. Entsorgen Sie alte Kabeln oder Stecker, unmittelbar nachdem Sie durch neue ersetzt sind. Das Anschließen eines Steckers eines losen Kabels an eine Steckdose ist gefährlich.

Verwendung von Verlängerungskabeln

Benutzen Sie nur ein genehmigtes Verlängerungskabel, das der Maschinenleistung entspricht. Die Ader müssen einen Mindestquerschnitt von 1,5 mm² haben. Befindet das Kabel sich auf einem Haspel muß es völlig abgerollt werden.

2. ANGABEN ZUM WERKZEUG

Die Gartenpumpe ist zur Bewässerung privater Gärten vorgesehen, sie ist nicht zur gewerblichen Verwendung bestimmt. Explosive, korrosive, brennbare Stoffe, Abwasser, Salzwasser, Fette und Öle dürfen von der Pumpe nicht gefördert werden.

Sie ist nur zum Pumpen von klarem Wasser und Regenwasser bestimmt. Die Partikelgrößen der Feststoffe im Wasser dürfen die in den technischen Daten angegebene maximale Partikelgröße nicht überschreiten.

Diese Pumpe ist nicht für den Dauerbetrieb (z.B. als Schwimmbad- oder Teichumwälzpumpe) ausgelegt.

TECHNISCHE DATEN

Modellnr.	GP525AC	GP526AC
Pumpengehäuse	Kunststoff	Rostfreier Stahl
Spannung	230 VAC / 50Hz	
Aufnahmeleistung	800 W	1000 W
Max. Durchsatz (Abb. B)	3300l/h	3500l/h
Maximaldruck	4 bar	4,4 bar
Max. Förderhöhe (Abb. B)	40 m	44 m
Max. selbstansaugende Saughöhe	8 m	
Max. Partikelgröße	1 mm (sauberes Wasser)	
Max. Wassertemperatur	35°C	
Schutz	IPX4	
Druckanschluss	G1" Innengewinde	
Sauganschluss	G1" Innengewinde	
Empfohlener Innendurchmesser des Schlauchs (Saugschlauch)	25mm, 32mm, 38mm	
Kabellänge	1,2 m	
Gewicht	5,5 kg	6,32 kg
Schalldruckpegel L_{pA}	62,6 dB(A) K = 2,22 dB(A)	66,2 dB(A) K = 2,66 dB(A)
Schallleistungspegel L_{WA}	74,5 dB(A) K = 2,22 dB(A)	78,1 dB(A) K = 2,66 dB(A)

BESCHREIBUNG

Die Zahlen im Text beziehen sich auf die Abbildungen auf den Seiten 2-5.

1. Ein-/Ausschalter
2. Ablaufstopfen
3. Wasserzulauf
4. Fußventil / Rückflussverhinderer (nicht enthalten)
5. Füllstopfen
6. Wasserablauf
7. Tragegriff
8. Saugschlauch (nicht enthalten)

3. MONTAGE



Ziehen Sie vor allen Arbeiten an der Pumpe den Netzstecker aus der Steckdose.

Montage des Griffs (Abb. C)

1. Bringen Sie den Griff (7) wie in Abbildung C dargestellt an der Pumpe an.
2. Montieren Sie den Griff (7), indem Sie die beiden Schrauben festziehen.

Installieren der Pumpe (Abb. E)

Die Pumpe sollte in einer belüfteten und trockenen Umgebung installiert werden. Sie kann im Freien installiert werden, sofern eine geeignete Abdeckung zum Schutz vor Regen und Wind vorhanden ist. Die Pumpe muss auf einer waagerechten und stabilen Fläche aufgestellt werden. Stellen Sie die Gartenpumpe immer an einem Platz auf, der höher liegt als die Wasseroberfläche, siehe Abbildung E.

Anbringen des Saugschlauchs (Abb. A, D, E)



Bringen Sie an der Saugseite keine Verbindungsstücke für Schlauchanschlussssysteme oder Standardwasserschläuche an! Es muss ein Saugschlauchset (8) mit passendem Kupplungsstück (G1" Außengewinde) und Fußventil (4) verwendet werden. Das Fußventil (4) verhindert das Zurückfließen des Wassers am Ende des Pumpvorgangs.



Ein Saugschlauch mit 25mm, 32mm oder 38mm Innendurchmesser (8) sollte verwendet werden, um die maximale Durchflussrate zu erreichen.



Der Saugschlauch (8) sollte möglichst kurz sein.

1. Füllen Sie den Saugschlauch (8) mit sauberem Leitungswasser, siehe Abbildung D.
2. Bringen Sie am Gewindeteil der Saugschlauchkupplung Dichtungsband (Teflon-Band) an.
3. Schrauben Sie die Saugschlauchkupplung luftdicht in den Wasserzulauf.
4. Das Fußventil (4) muss in senkrechter Stellung und mindestens 30 cm vom Grund des Wassers entfernt platziert werden, damit weder Sand noch Steine angesaugt werden können, siehe Abbildung E.

Anbringen des Ablaufschlauchs (Abb. A)

Je größer der Durchmesser des Schlauchs und des Schlauchanschlusses, desto größer der Durchfluss.



Je niedriger die Förderhöhe, desto größer der Durchfluss.

1. Entscheiden Sie, welchen Schlauchdurchmesser und welche Verbindungsstücke für den Schlauchanschluss Sie verwenden wollen.
2. Bringen Sie an der gewählten Gewindekupplung Dichtungsband (Teflon-Band) an.
3. Schrauben Sie die Kupplung (nicht enthalten) in den Wasserablauf (6).
4. Verbinden Sie den Schlauch (nicht enthalten) mit der Kupplung.
5. Überprüfen Sie, dass der Schlauch nicht geknickt ist.

Füllen der Pumpe mit Wasser (Abb. A, F)

1. Den Füllstopfen (5) abschrauben und beiseitelegen.
2. Pumpe mit sauberem Leitungswasser füllen, siehe Abbildung F. Dabei die Pumpe nicht überfüllen.
3. Den Füllstopfen (5) wieder anbringen, dabei nicht zu fest anziehen.

4. BETRIEB

Benutzen Sie diese Pumpe niemals in einem Teich oder Schwimmbad, solange sich Personen im Wasser aufhalten!



Schalten Sie den Strom nur mit trockenen Händen ein oder aus.



Betreiben Sie diese Pumpe keinesfalls, bevor die Pumpe selbst und der Saugschlauch (8) mit Wasser gefüllt sind.



Reinigen Sie das Fußventil (nicht enthalten) und den Vorfilter (nicht enthalten) regelmäßig und überprüfen Sie es auf Beschädigungen. Andernfalls kann die Funktion beeinträchtigt werden.

Ein-/Ausschalten (Abb. A)

1. Stellen Sie sicher, dass der Ein-/Ausschalter (1) in der Stellung '0' steht, bevor Sie die Pumpe mit der Steckdose verbinden.
2. Stellen Sie den Ein-/Ausschalter (1) in die Position 'I', um die Pumpe einzuschalten. Beim Starten der Pumpe ist zuerst noch viel Luft im Wasser enthalten. Dies ist kein Defekt der Pumpe, sondern es dient dazu, Luft aus der Pumpe zu entfernen. Wenn die Pumpe zum ersten Mal eingetaucht wird, kann es einige Minuten dauern, bis die Luft vollständig entweicht.
3. Stellen Sie den Ein-/Ausschalter (1) in die Position '0', um die Pumpe auszuschalten.

Abschluss der Verwendung (Abb. A, G)

Berühren Sie die Pumpe erst, wenn sie mindestens 5 Minuten vom Strom getrennt war.



Bei Frostgefahr oder wenn die Pumpe längere Zeit nicht verwendet wird, muss sie sachgerecht gelagert werden.

1. Überprüfen, dass der Ein-/Ausschalter (1) in der Position '0' steht.
2. Den Stecker aus der Steckdose ziehen.
3. Den Ablaufstopfen (2) abschrauben und beiseitelegen. Das Wasser ablaufen lassen.
4. Den Saugschlauch nach oben ziehen (Achtung: er ist voller Wasser).
5. Den Saugschlauch (8) vom Wasserzulauf (3) abschrauben.
6. Filter und Fußventil (4) abnehmen, dann mit klarem Wasser ausspülen. Sicherstellen, dass kein Wasser mehr im Saugschlauch (8) vorhanden ist.
7. Den Wasserschlauch vom Wasserablauf (6) abnehmen. Die Kupplung vom Wasserablauf (6) abschrauben.
8. Den Ablaufstopfen (2) wieder anbringen, dabei nicht zu fest anziehen.
9. Das Gerät säubern und lagern (siehe Kapitel 'Wartung')

5. WARTUNG

Vor dem Beginn von Reinigungs- und Wartungsarbeiten immer erst die Maschine ausschalten und den Stecker aus der Steckdose ziehen.

Die Maschinengehäuse regelmäßig mit einem weichen Tuch reinigen, vorzugsweise nach jedem Gebrauch. Sehr hartnäckigen Schmutz mit einem mit Seifenlauge befeuchteten Tuch entfernen. Keine Lösungsmittel, wie Benzin, Alkohol, Ammoniak usw., da solche Chemikalien die synthetischen Komponenten beschädigen können.

Wenn das Gerät blockiert zu sein scheint, schalten Sie den Strom an der Netzsteckdose ab, ziehen den Stecker aus der Steckdose und überprüfen das Gerät auf Blockaden. Reinigen Sie Saugschlauch, Fußventil, Vorfilter und Pumpe.

LAGERUNG UND FROSTSCHUTZ

Wenn Flüssigkeiten nicht vollständig aus der Tauchpumpe und dem Zubehör abgelassen werden, kann die Gartenpumpe durch Frost zerstört werden. Entleeren Sie Gartenpumpe und Zubehör daher vollständig und schützen Sie sie vor Frost. Bewahren Sie das Gerät an einem gut belüfteten, trockenen Ort auf, an dem die Temperatur nicht unter +5°C fällt.

Das Gerät an einem sicheren Ort außerhalb der Reichweite von Kindern lagern, wenn es nicht in Gebrauch ist.

ANLEITUNG ZUR FEHLERBEHEBUNG

Problem	Ursache	Behebung
Pumpe startet nicht	Keine Stromversorgung	Stromversorgung überprüfen
Die Pumpe läuft, fördert aber kein Wasser (nachdem sie vor mehr als 5 Minuten eingeschaltet wurde)	Die Pumpe ist nicht vollständig mit Wasser gefüllt	Pumpe wieder mit Wasser füllen und Fußventil des Saugschlauchs überprüfen
	Luft im Saugschlauch	Dichtungen der verschiedenen Anschlussstellen des Saugschlauchs überprüfen
	Wasserstand zu niedrig	Installationshöhe der Pumpe anpassen (< 8 m)
Unzureichender Druck	Saugschlauch, Fußventil, Vorfilter oder Pumpe ist blockiert	Saugschlauch, Fußventil, Vorfilter bzw. Pumpe reinigen
	Falscher Pumpentyp	Geeignete Pumpe auswählen
	Der Saugschlauch ist zu lang oder hat zu viele Biegungen; es wurde nicht der richtige Durchmesser des Saugschlauchs gewählt	Ein Saugschlauch mit 25mm, 32mm oder 38mm Innendurchmesser sollte verwendet werden, um die maximale Durchflussrate zu erreichen. Saugschlauch kürzen
	Saugschlauch, Fußventil, Vorfilter oder Pumpe ist blockiert	Saugschlauch, Fußventil, Vorfilter bzw. Pumpe reinigen
	Der Ablaufschlauch ist vom falschen Typ oder falsch angebracht	Ablaufschlauch und seine Anschlüsse überprüfen. Je größer Durchmesser und Anschluss des Schlauchs sind, desto größer der Durchfluss. Je niedriger die Förderhöhe, desto größer der Durchfluss.

Die Pumpe startet oder stoppt nicht während des Gebrauchs.	Thermischer Überlastschuttschalter hat ausgelöst	Von der Stromversorgung trennen, 5 Minuten stehen lassen, dann Saugschlauch, Fußventil, Vorfilter bzw. Pumpe reinigen
Pumpe schaltet sich nach kurzen Betriebszeiten aus	Strom ist ausgefallen	Sicherungen und elektrische Verbindungen überprüfen
	Zu heißes Wasser	Stellen Sie sicher, dass die Wassertemperatur nicht höher als 35°C ist

Dies stellt die einzige Gewährleistung des Unternehmens dar, sowohl ausdrücklich als auch implizit. Es gibt keine anderen ausdrücklichen oder stillschweigenden Garantien, die über das hier Genannte hinausgehen, einschließlich der stillschweigenden Garantien der Marktgängigkeit oder Eignung für einen bestimmten Zweck. In keinem Fall ist VONROC haftbar für Neben- oder Folgeschäden. Die Rechtsmittel des Händlers beschränken sich auf Reparatur oder Ersatz fehlerhafter Einheiten oder Teile.

Am Produkt und am Benutzerhandbuch können Änderungen vorgenommen werden. Die technischen Daten können sich ohne Vorankündigung ändern.

UMWELTSCHUTZ



Schadhafte und/oder zu entsorgende elektrische oder elektronische Werkzeuge und Geräte müssen an den dafür vorgesehenen Recycling-Stellen abgegeben werden.

Nur für EG-Länder

Entsorgen Sie Elektrowerkzeuge nicht über den Hausmüll. Entsprechend der EU-Richtlinie 2012/19/EG über Elektro- und Elektronik-Altgeräte sowie der Umsetzung in nationales Recht müssen Elektrowerkzeuge, die nicht mehr im Gebrauch sind, getrennt gesammelt und umweltschonend entsorgt werden.

GARANTIE

VONROC-Produkte werden nach den höchsten Qualitätsstandards entwickelt und sind für den gesetzlich festgelegten Zeitraum, ausgehend von dem ursprünglichen Kaufdatum, garantiert frei von Fehlern in Material und Ausführung. Sollte das Produkt in diesem Zeitraum aufgrund von Material- und/oder Verarbeitungsmängeln Fehler aufweisen, wenden Sie sich bitte direkt an VONROC Kundendienst.

Folgende Umstände sind von der Garantie ausgeschlossen:

- Reparaturen und oder Änderungen an der Maschine, die durch nicht-autorisierte Servicestellen vorgenommen oder versucht wurden.
- Normale Abnutzung und Verschleiß.
- Das Werkzeug wurde übermäßig beansprucht, missbräuchlich verwendet oder falsch gewartet.
- Es wurden keine Original-Ersatzteile verwendet.

1. VEILIGHEIDSVOORSCHRIFTEN

Lees de bijgesloten veiligheidsvoorschriften, de aanvullende veiligheidsvoorschriften en de instructies. Het niet in acht nemen van de veiligheidsvoorschriften en de instructies kan leiden tot elektrische schok, brand en/of ernstig letsel. Bewaar de veiligheidsvoorschriften en de instructies voor toekomstig gebruik.

De volgende symbolen worden gebruikt in de gebruikershandleiding of op het product:



Lees de gebruikershandleiding.



Gevaar voor lichamelijk letsel, overlijden of schade aan de machine wanneer de instructies in deze handleiding niet worden opgevolgd.



Gevaar voor elektrische schokken.



Apparaat tegen vorst beschermen.



Max. diepte.



GP525AC: Het gegarandeerde geluidsvermogensniveau LWA = 77 dB(A)



GP526AC: Het gegarandeerde geluidsvermogensniveau LWA = 81 dB(A)



Werp het product niet weg in ongeschikte containers.



Het product is in overeenstemming met de van toepassing zijnde veiligheidsnormen in de Europese richtlijnen.

VEILIGHEIDSWAARSCHUWINGEN

DIT APPARAAT MAG WORDEN GEBRUIKT DOOR KINDEREN VANAF 8 JAAR EN DOOR PERSONEN MET VERMINDERDE LICHAAMELIJKE, ZINTUIGLIJKE OF GEESTELIJKE VERMOGENS, OF MET EEN GEBREK AAN ERVARING EN KENNIS, MITS ZIJ ONDER TOEZICHT STAAN OF GEÏNSTRUEERD ZIJN BETREFFENDE HET VEILIG GEBRUIK VAN HET APPARAAT EN ZICH BEWUST ZIJN VAN DE ERMEE VERBODEN RISICO'S. KINDEREN MOGEN NIET MET HET APPARAAT SPELEN. REINIGING EN GEBRUIKERSONDERHOUD MOGEN NIET DOOR KINDEREN ZONDER

TOEZICHT WORDEN UITGEVOERD. OM GEVAARLIJKE SITUATIES TE VOORKOMEN MOET HET NETSNOER DOOR DE FABRIKANT, ZIJN SERVICEMEDEWERKERS OF ANDERE GEKwalificeerde PERSONEN WORDEN VERVANGEN ALS HET IS BESCHADIGD. DE STEKKER MOET UIT HET STOPCONTACT WORDEN GETROKKEN VOORDAT U HET APPARAAT REINIGT OF ONDERHOUD UITVOERT.

Lees voor u dit apparaat in gebruik neemt, deze instructies aandachtig en grondig door, en bewaar ze voor toekomstig gebruik. Het is zeer belangrijk dat u begrijpt hoe u dit apparaat veilig moet gebruiken, neem dus de tijd om kennis te nemen van de eisen zoals deze in deze instructies uiteen worden gezet.

- Als u op welke manier dan ook twijfelt over het gebruiken van dit apparaat, adviseren wij u ten eerste de diensten van een geschikte persoon met de juiste kwalificaties in te roepen,.
- De elektrische aansluiting moet worden beveiligd met een reststroomschakelaar (Residual Current Device (RCD)) op het stopcontact met een nominale inschakelstroom van 30mA (max).
- Houd kinderen en huisdieren op voldoende afstand van het werkgebied en laat nooit kinderen dit apparaat gebruiken of te enige tijd het verlengsnoer aanraken. Berg het apparaat, wanneer u het niet gebruikt, op buiten bereik van kinderen.
- Laat het apparaat nooit onbeheerd achter wanneer het in gebruik is.
- Trek het apparaat nooit naar u toe aan het netsnoer. Draag het aan de draaghandgreep.
- Let erop dat het netsnoer niet op of over scherpe voorwerpen mag liggen, die de isolatiemantel zouden kunnen doorboren. Voer een visuele inspectie uit van het netsnoer voordat u het apparaat gebruikt, en laat het netsnoer door een gespecialiseerd servicecentrum vervangen, als het is beschadigd. Gebruik het apparaat niet als het snoer is beschadigd.
- Houd het netsnoer weg bij warmtebronnen, vrieskou, olie, oplosmiddelen of scherpe voorwerpen of randen.
- De elektrische aansluitingen bijv. een verlengsnoer, moet te allen tijde tegen vocht worden beschermd.
- Controleer dat het nominale vermogen op het apparaat overeenkomt met het nominale vermogen van uw stroomvoorziening. De voedings-

spanning moet 230VAC zijn.

- Gebruik dit apparaat nooit droog - zonder water. Als het apparaat oververhit raakt, schakelt de thermische beveiliging het uit. Als dit gebeurt, wacht dan 5 minuten voor u het apparaat weer gebruikt.
- Schakel het apparaat alleen weer in met droge handen.
- Gebruik dit apparaat nooit in een vijver of een zwembad terwijl er mensen in het water zijn!
- Gebruik de pomp niet voor drinkwater.
- U mag met de pomp geen corroderende, brandbare of explosieve stoffen, vet, olie, zout water en rioolwater pompen.
- De pH-waarde van water moet tussen 6,5 end 8,5 liggen.
- De temperatuur van de vloeistof die wordt gepompt mag niet hoger zijn dan 35 °C.

Elektrische veiligheid

Neem bij het gebruik van elektrische machines altijd de plaatselijk geldende veiligheidsvoorschriften in acht in verband met brandgevaar, gevaar voor elektrische schokken en lichamelijk letsel. Lees behalve onderstaande instructies ook de veiligheidsvoorschriften in het apart bijgevoegde veiligheidskatern door.



Controleer altijd of uw netspanning overeenkomt met de waarde op het typeplaatje.

Verbinding maken met de stroomvoorziening

Controleer dat de voeding en de stekker die wordt gebruikt passen bij de machine. Kijk naar het typeplaatje op de machine. Eventuele veranderingen moeten altijd worden uitgevoerd door een gekwalificeerde elektricien.



Waarschuwing! Deze machine moet op aarde worden aangesloten. Als de machine niet op juiste wijze is geaard, kan dat een elektrische schok tot gevolg hebben. Controleer dat het stopcontact is geaard. Laat bij twijfel een controle uitvoeren door een gekwalificeerde elektricien.



Waarschuwing! Vermijd contact met aansluitpunten van de stekker wanneer u de stekker in het stopcontact steekt of uit het stopcontact trekt. Contact veroorzaakt een ernstige elektrische schok.

Bij vervanging van snoeren of stekkers

Wanneer het netsnoer beschadigd raakt, dan dient het vervangen te worden door een speciaal netsnoer dat verkrijgbaar is bij de fabrikant of de customer service van de fabrikant. Gooi oude snoeren of stekkers direct weg zodra ze door nieuwe exemplaren zijn vervangen. Het is gevaarlijk om de stekker van een los snoer in een stopcontact te steken.

Bij gebruik van verlengsnoeren

Gebruik uitsluitend een goedgekeurd verlengsnoer, dat geschikt is voor het vermogen van de machine. De aders moeten een doorsnede hebben van minimaal 1,5 mm². Wanneer het verlengsnoer op een haspel zit, rol het snoer dan helemaal af.

2. TECHNISCHE INFORMATIE

De waterpomp voor de tuin is bedoeld voor particulier gebruik voor de irrigatie van tuinen, het is niet bestemd voor commercieel gebruik. Explosieve, corroderende, brandbare stoffen, rioolwater, zout water, vet en olie mogen niet met de pomp worden gepompt.

De pomp is uitsluitend ontworpen en bestemd voor het pompen van schoon water en regenwater. De grootte van de deeltjes van vaste stoffen in het water mag niet de maximale grootte van deeltjes overschrijden die in de technische gegevens wordt gespecificeerd.

Deze pomp werd niet ontwikkeld voor een constante werking (bijv. als circulatiepomp voor een zwembad of vijver).

TECHNISCHE SPECIFICATIES

Modelnr.	GP525AC	GP526AC
Behuizing van de pomp	Kunststof	Roestvrij staal
Spanning	230 VAC / 50Hz	
Ingangsvermogen	800 W	1000 W
Max. doorstroomsnelheid (Afb. B)	3300l/h	3500l/h
Max. druk	4 bar	4,4 bar
Max. pomphoogte (Afb. B)	40 m	44 m
Max. zelfaanzuigende hoogte	8 m	
Max. grootte deeltjes	1 mm (schoon water)	
Max. watertemperatuur	35 °C	
Beveiliging	IPX4	
Drukaansluiting	G1" interne schroefdraad	
Zuigaansluiting	G1" interne schroefdraad	
Aanbevolen binnenslang diameter (zuigslang)	25 mm, 32 mm, 38 mm	
Kabellengte	1,2 m	
Gewicht	5,5 kg	6,32 kg
Geluidsrukniveau L_{pA}	62,6 dB(A) K = 2,22 dB(A)	66,2 dB(A) K = 2,66 dB(A)
Geluidsvermogeniveau L_{wA}	74,5 dB(A) K = 2,22 dB(A)	78,1 dB(A) K = 2,66 dB(A)

BESCHRIJVING

De cijfers in deze tekst verwijzen naar de diagrammen op pagina 2-5.

1. AAN/UIT-schakelaar
2. Aftapplug
3. Water-ingang
4. Voetklep / Terugslagklep (niet meegeleverd)
5. Vuldop
6. Water-uitgang
7. Draaghandgreep
8. Zuigslang (niet meegeleverd)

3. MONTAGE



Voordat werkzaamheden aan de machine worden uitgevoerd, moet eerst de stekker uit het stopcontact worden genomen.

De handgreep monteren (Afb. C)

1. Zet de handgreep (7) op de machine, zoals wordt getoond in afbeelding C.
2. Monteer de handgreep (7) door de twee schroeven vast te draaien.

Het installeren van de pomp (Afb. E)

De pomp moet in een geventileerde en droge omgeving worden geïnstalleerd. De pomp kan buitenshuis worden geïnstalleerd, mits er een goede bescherming is tegen regen en wind. Controleer of de pomp op een horizontale en stabiele ondergrond is geplaatst. Plaats de waterpomp voor de tuin altijd op een hoger punt dan het wateroppervlak, zoals weergegeven in afbeelding E.

De zuigslang bevestigen (Afb. A, D, E)



Gebruik aan de zuigzijde geen bevestigingen van een systeem voor slangaansluitingen of standaard waterslangen! Een zuigslangset (8) met een daarvoor geschikte koppeling (G1" externe schroefdraad en voetklep (4) moeten worden gebruikt. De voetklep(4) voorkomt het terugstromen van het water aan het einde van het pompproces.



Een zuigslang met een diameter van 25 mm, 32 mm, of 38 mm (binnendiameter) moet worden gebruikt om de maximale doorstroomsnelheid te realiseren.



De zuigslang (8) dient zo kort mogelijk te zijn.

1. Vul de zuigslang (8) met schoon kraanwater, zoals weergegeven in afbeelding D.
2. Breng schroefdraadtape (Teflon tape) aan op de schroefdraadaansluiting van de zuigslang.
3. Schroef de zuigslangaansluiting luchtdicht aan op de watertoevoer.
4. De voetklep (4) moet verticaal worden geplaatst en op een minimale afstand van 30 cm vanaf de waterbodem, om te voorkomen dat zand en stenen worden aangezogen, zoals weergegeven in afbeelding E.

De afvoerslang bevestigen (Afb. A)

Hoe groter de diameter van de slang en de slangconnector, des te groter de doorstroming.



Hoe lager de oppomphoogte, des te groter de doorstroming.

1. Bepaal welke slangdiameter en welke bevestigingen van een systeem voor de slangaansluitingen u gaat gebruiken.
2. Breng schroefdraadtape (Teflon tape) aan op de geselecteerde schroefdraadaansluiting.
3. Schroef de aansluiting (niet meegeleverd) in de waterafvoer (6).
4. Sluit de slang (niet meegeleverd) aan op de koppeling resp. aansluiting.
5. Controleer of er geen knikken in de slang zitten.

De pomp vullen met water (Afb. A, F)

1. De vuldop (5) losdraaien en verwijderen.
2. Vul de pomp met schoon kraanwater, zoals weergegeven in afbeelding F. Niet te veel water in de pomp vullen.
3. Plaats de vuldop (5) weer terug en draai niet te kracht vast.

4. WERKING

Gebruik deze pomp nooit in een vijver of zwembad als mensen in het water aanwezig zijn!



De pomp alleen met droge handen aan- en uitschakelen.



De pomp nooit activeren voordat de pomp en zuigslang (8) gevuld zijn met water.



Reinig de voetklep (niet meegeleverd) en het voorfilter (niet meegeleverd) regelmatig en controleer op beschadigingen. Anders kan de functie misschien niet goed werken.

Aan-/Uitschakelen (Afb. A)

1. Controleer of de AAN/UIT-schakelaar (1) in de stand '0' staat en sluit pas daarna de pomp aan op de stroomvoorziening.
2. Zet de AAN/UIT-schakelaar (1) in de stand 'I' om de pomp in te schakelen. Als de pomp wordt gestart, zal er eerst veel lucht in het water aanwezig zijn. Dit wijst niet op een defect van de pomp, maar dient om de lucht uit de pomp te verdrijven. Wanneer de pomp voor de eerste keer wordt ondergedompeld, kan het enkele minuten duren voordat de lucht uit de pomp is ontsnapt.
3. Zet de AAN/UIT-schakelaar (1) in de stand '0' om de pomp uit te schakelen.

Werkzaamheden beëindigen (Afb. A, G)

Raak de pomp niet aan, tenzij de stroomvoorziening al minimaal 5 minuten geleden werd uitgeschakeld.



Als er risico op vorst aanwezig is, of als u de pomp langere tijd niet gaat gebruiken, adviseren wij u om de pomp op een juiste manier op te bergen.

1. Controleer of de AAN/UIT-schakelaar (1) in de stand '0' staat ingesteld.
2. Trek de netstekker uit de stroomvoorziening.
3. Draai de aftapplug (2) los en verwijder het. Laat het water uitlopen.
4. Trek de zuigslang omhoog (voorzichtig, deze zit vol met water)
5. Schroef de zuigslang (8) los van de watertoevoer (3).
6. Verwijder het filter en de voetklep (4), daarna spoelen met helder water. Controleer of geen water in de zuigslang (8) is achtergebleven.
7. Neem de waterslang uit de waterafvoer (6). Schroef de aansluiting van de waterafvoer (6) los.
8. Plaats de aftapplug (2) weer terug en draai niet te krachtig vast.
9. Reinig het apparaat en berg het op (zie 'Onderhoud').

5. ONDERHOUD

Schakel de machine altijd uit en trek de stekker uit het stopcontact, voordat de machine wordt gereinigd of onderhoud uitgevoerd gaat worden.

Maak de behuizing van het apparaat regelmatig schoon met een zachte doek, bij voorkeur na ieder gebruik. Verwijder hardnekkig vuil met een zachte doek vochtig gemaakt met een zeepoplossing. Gebruik geen oplosmiddelen zoals benzine, alcohol, ammoniak, enzovoorts. Chemicaliën zoals deze kunnen de synthetische componenten beschadigen.

Als het apparaat verstopt lijkt te zijn, trek dan de stekker uit het stopcontact en controleer het apparaat op verstoppingen. Reinig de zuigslang, voetklep, voorfilter en pomp.

OPSLAG EN BESCHERMING TEGEN VORST

Waterpompen voor de tuin en accessoires die nog resterend water bevatten, kunnen door de vorst permanent beschadigd worden. Laat al het water uit de waterpomp voor de tuin en de accessoires lopen en bescherm hen tegen de vorst. Berg het apparaat op in een goed geventileerde, droge ruimte waar de temperatuur niet daalt onder +5°C.

Berg het apparaat, wanneer u het niet gebruikt, op buiten bereik van kinderen.

GIDS VOOR HET OPLOSSEN VAN PROBLEMEN

Probleem	Oorzaak	Oplossing
Pomp start niet	Geen elektriciteit	Controleer de stroomvoorziening
De pomp is actief, maar er wordt geen water toegevoerd (nadat de pomp al meer dan 5 minuten geleden werd gestart)	De pomp is niet volledig gevuld met water	Vul de pomp opnieuw met water en controleer de voetklep van de zuigslang
	Lucht in de zuigslang	Controleer de afdichting van de verschillende aansluitingen van de zuigslang
	Het waterniveau is te laag	Pas de installatiehoogte van de pomp aan (< 8 m)
	De zuigslang, voetklep, voorfilter of pomp is verstopt	Reinig de zuigslang, voetklep

Onvoldoende druk	Onjuiste type pomp	Selecteer een geschikte pomp
	De zuigslang is te lang of heeft te veel bochten, de diameter van de zuigslang is niet geselecteerd zoals vereist.	Een zuigslang met een diameter van 25 mm, 32 mm, of 38 mm (binnendiameter) moet worden gebruikt om de maximale doorstromingsnelheid te realiseren. Maak de zuigslang korter.
	De zuigslang, voetklep, voorfilter of pomp is verstopt.	Reinig de zuigslang, voetklep, voorfilter of pomp.
Pomp start niet of start tijdens gebruik.	De waterafvoerslang is onjuist of niet goed geïnstalleerd.	Controleer de waterafvoerslang en de aansluitingen. Hoe groter de diameter van de slang en de slangaansluiting, hoe hoger de doorstromingsnelheid. Hoe lager de oppomphoogte, des te groter de doorstroming.
	De schakelaar van de beveiliging voor thermische overbelasting is geactiveerd.	Van de stroomvoorziening scheiden, vijf minuten laten staan en de zuigslang, voetklep, voorfilter of pomp reinigen.
Pomp wordt uitgeschakeld na een korte periode van activiteit	De zekering van de stroomvoorziening is doorgeslagen	Controleer de zekeringen en elektrische aansluitingen
	Het water is te heet	Controleer of de watertemperatuur niet boven het maximum van 35 °C is gestegen

MILIEU



Defecte en/of afgedankte elektrische of elektronische gereedschappen dienen ter verwerking te worden aangeboden aan een daarvoor verantwoordelijke instantie.

Uitsluitend voor EG-landen

Werp elektrisch gereedschap niet weg bij het huisvuil. Conform de Europese Richtlijn 2012/19/EG voor Afdankte Elektrische en Elektronische Apparatuur en de implementatie ervan in nationaal recht moet niet langer te gebruiken elektrisch gereedschap gescheiden worden verzameld en op een milieuvriendelijke wijze worden verwerkt.

GARANTIE

VONROC producten zijn ontworpen volgens de hoogste kwaliteitsstandaarden en gegarandeerd vrij van defecten, zowel materieel als fabrieksfouten, tijdens de wettelijk vastgestelde garantieperiode vanaf de eerste aankoopdatum. Mocht het product tijdens deze periode gebreken vertonen veroorzaakt door defecte materialen en/of fabrieksfouten, neem dan rechtstreeks contact op met VONROC.

De volgende situaties vallen niet onder de garantie:

- Er zijn reparaties of aanpassingen aan de machine uitgevoerd, of er is een poging daartoe ondernomen, door een nietgeautoriseerd servicecentrum.
- Normale slijtage.
- De machine is misbruikt, verkeerd gebruikt of slecht onderhouden.
- Er zijn niet-originele reserveonderdelen gebruikt.

Dit vormt de enige garantie opgesteld door het bedrijf zowel expliciet als impliciet. Er bestaan geen andere garanties expliciet of impliciet welke verder gaan dan deze garantie, inclusief impliciete garanties van verkoopbaarheid en geschiktheid voor bepaalde doeleinden. In geen enkel geval kan VONROC aansprakelijk worden gesteld voor incidentele schade of gevolgschade. Reparaties van dealers zijn gelimiteerd tot de reparatie of vervanging van defecte producten of onderdelen.

Het product en de gebruikershandleiding zijn onderhevig aan wijzigingen. Specificaties kunnen zonder opgave van redenen worden gewijzigd.

1. CONSIGNES DE SÉCURITÉ

Consultez les avertissements de sécurité, les avertissements de sécurité additionnels ainsi que les instructions fournis ici. Le non respect des avertissements de sécurité et des instructions peut occasionner une électrocution, un incendie ou des blessures graves. Conservez les avertissements de sécurité et les instructions pour référence future.

Les symboles suivants sont utilisés dans le manuel d'utilisation ou apposés sur le produit:



Lisez le manuel d'utilisation.



Signale un risque de blessures, un danger mortel ou un risque d'endommagement de l'outil en cas de non-respect des instructions de ce manuel.



Indique un risque de décharges électriques



Mettre l'appareil à l'abri du gel.



Profondeur maxi.



GP525AC: Valeur garantie selon la directive bruit LWA = 77 dB(A)



GP526AC: Valeur garantie selon la directive bruit LWA = 81 dB(A)



Ne jetez pas le produit dans des conteneurs qui ne sont pas prévus à cet effet.



Le produit est conforme aux normes de sécurité applicables des directives européennes.

REMARQUES LIÉES À LA SÉCURITÉ

PEUT ÊTRE UTILISÉ PAR DES ENFANTS ÂGÉS DE 8 ANS ET PLUS ET PAR DES PERSONNES AUX CAPACITÉS PHYSIQUES, SENSORIELLES OU MENTALES RÉDUITES, OU QUI MANQUENT D'EXPÉRIENCE ET DE CONNAISSANCE, À CONDITION QU'ILS SOIENT SUPERVISÉS OU QU'ILS AIENT ÉTÉ FORMÉS SUR LA FAÇON SÛRE D'UTILISER L'APPAREIL ET QU'ILS COMPRENNENT LES RISQUES ENCOURUS. LES ENFANTS NE DOIVENT PAS JOUER AVEC L'APPAREIL. LE NETTOYAGE ET LES OPÉRATIONS DE MAINTENANCE À RÉALISER PAR L'UTILISATEUR NE

DOIVENT PAS ÊTRE EXÉCUTÉS PAR DES ENFANTS SANS SURVEILLANCE. SI LE CÂBLE D'ALIMENTATION EST ENDOMMAGÉ, IL DOIT ÊTRE REMPLACÉ PAR LE FABRICANT, L'UN DE SES PRESTATAIRES DE SERVICES OU TOUTE AUTRE PERSONNE DISPOSANT DES MÊMES QUALIFICATIONS AFIN D'ÉVITER TOUT RISQUE. LA PRISE DOIT ÊTRE DÉBRANCHÉE DE LA PRISE DE COURANT AVANT DE PROCÉDER AU NETTOYAGE OU À LA MAINTENANCE DE L'APPAREIL.

Veillez à lire soigneusement l'intégralité de ces consignes avant d'utiliser l'appareil et à les conserver pour pouvoir vous y référer dans le futur. Il est très important que vous compreniez comment utiliser ce produit de façon sûre, merci donc de veiller à prendre le temps nécessaire pour vous familiariser avec les prescriptions mentionnées dans ces instructions.

- Si vous avez le moindre doute quant à l'utilisation de cet appareil, nous vous conseillons fortement de faire appel aux services d'une personne qualifiée.
- Le branchement électrique doit être protégé par un disjoncteur différentiel à courant résiduel (DDR) avec un courant de déclenchement nominal de 30mA (maxi), au niveau de la prise électrique.
- Veillez à maintenir les enfants et les animaux domestiques à l'écart de la zone d'utilisation et ne laissez jamais les enfants utiliser cet appareil ou toucher la rallonge électrique. Lorsqu'il n'est pas utilisé, rangez cet appareil dans un endroit sûr, hors de portée des enfants.
- Ne laissez jamais l'appareil sans surveillance lorsqu'il est en marche.
- Ne tirez jamais l'appareil par son cordon électrique. Transportez-le à l'aide de la poignée de transport.
- Ne laissez pas le cordon électrique courir sur ou au-dessus d'objets tranchants qui pourraient endommager la gaine isolante. Procédez à l'inspection visuelle du cordon électrique avant chaque utilisation et, s'il est endommagé, faites-le remplacer dans un centre d'assistance spécialisé. N'utilisez pas l'appareil si son cordon est endommagé.
- Gardez le cordon électrique à l'écart de la chaleur, du gel, de l'huile, des solvants et de tous les objets ou bords tranchants.
- Les raccords électriques, comme les rallonges

par exemple, doivent être, en permanence, protégés contre l'humidité.

- Contrôlez que la puissance nominale de votre appareil correspond bien à la puissance nominale de votre réseau électrique. La tension d'alimentation doit être de 230VAC.
- Veillez à ne jamais faire fonctionner cet appareil à sec, sans eau. Si l'appareil surchauffe, le disjoncteur thermique l'éteint. Si cela se produit, patientez 5 minutes avant de réutiliser l'appareil.
- Veillez à ne le remettre sous tension que si vos mains sont sèches.
- N'utilisez jamais cet appareil dans un bassin ou une piscine si des personnes sont dans l'eau !
- N'utilisez pas la pompe pour de l'eau potable.
- Les substances corrosives, inflammables ou explosives, la graisse, l'huile, l'eau salée et les eaux usées ne doivent pas être transportées par la pompe.
- Le pH de l'eau doit être compris entre 6,5 et 8,5.
- La température du liquide pompé ne doit pas dépassée 35 °C.

Sécurité électrique

Lors d'utilisation de machines électriques, observez les consignes de sécurité locales en vigueur en matière de risque d'incendie, de chocs électriques et de lésion corporelle. En plus des instructions ci-dessous, lisez entièrement les consignes de sécurité contenues dans le cahier de sécurité fourni à part.



Vérifiez que la tension d'alimentation correspond à la tension nominale indiquée sur la plaque signalétique.

Raccordement à l'alimentation électrique

Contrôlez que l'alimentation électrique et la prise utilisées sont bien adaptées pour cette machine. Consultez la plaque signalétique de la machine. L'ensemble des modifications apportées ne peut être réalisé que par un électricien qualifié.



Avertissement ! Cette machine doit être reliée à la terre. Si elle n'est pas correctement reliée à la terre, cette machine peut être à l'origine de décharges électriques. Veillez à ce que la prise d'alimentation électrique soit bien reliée à la terre. En cas de doute, faites-la contrôler par un électricien qualifié.



Avertissement ! Évitez tout contact avec les fiches de la prise au moment de brancher (débrancher) la prise dans/de la prise de courant. Tout contact pourrait conduire à une grosse décharge électrique.

En cas de changement de câbles ou de fiches

Si le câble d'alimentation électrique est endommagé, il doit être remplacé par un câble d'alimentation électrique spécial disponible auprès du fabricant ou de son service clientèle. Jetez les vieux câbles ou prises immédiatement après les avoir remplacés par de nouveaux. Il est dangereux de brancher un câble lâche.

En cas d'emploi de câbles prolongateurs

Employez exclusivement un câble pro longateur homologué, dont l'usage est approprié pour la puissance de la machine. Les fils conducteurs doivent avoir une section minimale de 1,5 mm². Si le câble prolongateur se trouve dans un dévidoir, déroulez entièrement le câble.

2. INFORMATIONS RELATIVES À LA MACHINE

La pompe de jardin est destinée à un usage privé pour l'irrigation des jardins, elle n'est pas destinée à un usage commercial. Les substances explosives, corrosives, inflammables, les eaux usées, l'eau salée, la graisse et l'huile ne doivent pas être transportées par la pompe.

Elle est uniquement destinée au pompage de l'eau claire et de l'eau de pluie. La taille des particules solides dans l'eau ne doit pas dépasser la taille maximale spécifiée dans les caractéristiques techniques.

Cette pompe n'est pas destinée à fonctionner en continu (comme une pompe de circulation pour piscine ou bassin par exemple).

CARACTÉRISTIQUES TECHNIQUES

N° de modèle	GP525AC	GP526AC
Corps de pompe	Plastique	Acier inoxydable
Tension	230 VAC / 50Hz	
Puissance absorbée	800 W	1000 W
Débit maxi (Fig. B)	3300l/h	3500l/h
Pression maxi	4 bar	4,4 bar
Hauteur de pompage maxi (Fig. B)	40 m	44 m
Hauteur d'aspiration auto-amorçante maxi	8 m	
Taille de particules maxi	1 mm (eau propre)	
Température de l'eau maxi	35°C	
Classe de protection	IPX4	
Raccord de pression	Filetage intérieur G1"	
Raccord d'aspiration	Filetage intérieur G1"	
Diamètre intérieur du tuyau recommandé (tuyau d'aspiration)	25 mm, 32 mm, 38 mm	
Longueur du câble	1,2 m	
Poids	5,5 kg	6,32 kg
Niveau de pression sonore L _{pk}	62,6 dB(A) K = 2,22 dB(A)	66,2 dB(A) K = 2,66 dB(A)
Niveau de puissance sonore L _{wa}	74,5 dB(A) K = 2,22 dB(A)	78,1 dB(A) K = 2,66 dB(A)

PRÉSENTATION

Les numéros dans le texte renvoient aux diagrammes des pages 2-5.

1. Interrupteur MARCHE/ARRÊT
2. Bouchon de vidange
3. Arrivée d'eau
4. Clapet de pied / anti-refoulement (non inclus)
5. Bouchon de remplissage
6. Sortie d'eau
7. Poignée de transport
8. Tuyau d'aspiration (non inclus)

3. ASSEMBLAGE



Avant de procéder à une opération quelle qu'elle soit sur la pompe, débranchez la prise électrique de la source d'alimentation.

Monter la poignée (Fig. C)

1. Installez la poignée (7) sur la pompe, comme illustré par la figure C.
2. Fixez la poignée (7) en serrant les deux vis.

Installer la pompe (Fig. E)

La pompe doit être installée dans un environnement aéré et sec. Elle peut être installée à l'extérieur, à condition d'avoir une couverture adéquate pour éviter la pluie et le vent. Assurez-vous que la pompe est placée sur un sol horizontal et stable. Installez toujours la pompe de jardin à un endroit plus élevé que la surface de l'eau, comme indiqué sur la figure E.

Fixer le tuyau d'aspiration (Fig. A, D, E)



N'utilisez pas de raccords de système de connexion de tuyaux ou de tuyaux d'eau standard du côté de l'aspiration ! Il faut utiliser un tuyau d'aspiration (8) doté d'un raccord approprié (filetage extérieur G1") et un clapet de pied (4). Le clapet de pied (4) empêche le retour de l'eau à la fin du cycle de pompage.



Pour que le débit soit maximum, un tuyau d'aspiration (8) de 25 mm, 32 mm ou 38 mm (diamètre intérieur) doit être utilisé.



Le tuyau d'aspiration (8) doit être aussi court que possible.

1. Remplissez le tuyau d'aspiration (8) avec de l'eau du robinet propre, comme indiqué sur la figure D.
2. Appliquez du ruban d'étanchéité pour filetage (ruban en téflon) sur le raccord fileté du tuyau d'aspiration.
3. Vissez le raccord du tuyau d'aspiration dans l'arrivée d'eau.
4. Le clapet de pied (4) doit être placé verticalement et à au moins 30 cm du fond de l'eau pour éviter l'aspiration du sable et des pierres, comme indiqué sur la figure E.

Fixer le tuyau d'évacuation (Fig. A)



Plus le diamètre du tuyau et du raccord de tuyau est grand, plus le débit est important.



Plus la hauteur de transfert de l'eau est basse, plus le débit est important.

1. Décidez du diamètre du tuyau et des raccords du système de connexion du tuyau que vous allez utiliser.
2. Appliquez du ruban d'étanchéité pour filetage (ruban en téflon) sur le raccord fileté choisi.
3. Vissez le raccord (non inclus) sur la sortie d'eau (6).
4. Connectez le tuyau (non inclus) au raccord.
5. Vérifiez que le tuyau n'est pas entortillé.

Remplir la pompe d'eau (Fig. A, F)

1. Dévissez et retirez le bouchon de remplissage (5).
2. Remplissez la pompe avec de l'eau du robinet propre, comme indiqué sur la figure F. Ne remplissez pas trop la pompe.
3. Réinstallez le bouchon de remplissage (5) sans trop le serrer.

4. FONCTIONNEMENT



N'utilisez jamais cette pompe dans un bassin ou une piscine si des personnes sont dans l'eau !



Veillez à couper ou rétablir l'alimentation que si vos mains sont sèches.



Ne faites jamais fonctionner cette pompe avant que la pompe et le tuyau d'aspiration (8) ne soient remplis d'eau.



Nettoyez le clapet de pied (non inclus) et le préfiltre (non inclus) à intervalles réguliers, et vérifiez qu'ils ne sont pas endommagés. L'équipement pourrait sinon ne pas fonctionner correctement.

Mise en marche et extinction (Fig. A)

1. Contrôlez que l'interrupteur MARCHE/ARRÊT (1) est sur la position « 0 » avant de raccorder la pompe à l'alimentation électrique.
2. Déplacez l'interrupteur MARCHE/ARRÊT (1) en position « I » pour mettre la pompe en marche.

Lorsque vous démarrez la pompe, il y aura d'abord beaucoup d'air dans l'eau. Cela n'indique pas un dysfonctionnement de la pompe mais c'est le signe de la suppression de l'air dans la pompe. L'air prend plusieurs minutes pour s'échapper lors de la première immersion de la pompe.

3. Déplacez l'interrupteur MARCHE/ARRÊT (1) en position « 0 » pour arrêter la pompe.

Après l'utilisation (Fig. A, G)



Ne touchez pas la pompe si son alimentation n'a pas été coupée pendant au moins 5 minutes.



En cas de risque de gel ou si vous n'utilisez pas votre pompe pendant une longue période, veuillez la ranger correctement.

1. Assurez-vous que l'interrupteur MARCHE/ARRÊT (1) est sur « 0 ».
2. Débranchez la fiche d'alimentation de la prise.
3. Dévissez et retirez le bouchon de vidange (2). Laissez l'eau s'écouler.
4. Remontez le tuyau d'aspiration (attention, il est plein d'eau).
5. Dévissez le tuyau d'aspiration (8) de l'arrivée d'eau (3).
6. Retirez le filtre et le clapet de pied (4), puis rincez à l'eau claire. Assurez-vous qu'il n'y a plus d'eau dans le tuyau d'aspiration (8).
7. Retirez le tuyau d'eau de la sortie d'eau (6). Dévissez le raccord de la sortie d'eau (6).
8. Réinstallez le bouchon de vidange (2) sans trop le serrer.
9. Nettoyez et rangez l'appareil (voir « Maintenance »)

5. MAINTENANCE



Avant toute opération de nettoyage ou de maintenance, éteignez toujours la machine et retirez la fiche d'alimentation de la prise.

Nettoyez régulièrement le boîtier de l'équipement à l'aide d'un chiffon doux et de préférence après chaque utilisation. Supprimez les taches tenaces à l'aide d'un chiffon doux légèrement humide et d'une solution savonneuse. N'utilisez aucun solvant comme de l'essence, de l'alcool, de l'ammoniaque, etc. car ces produits chimiques peuvent endommager les composants synthétiques.

Si l'appareil semble bloqué, éteignez-le, débranchez la prise de courant et contrôlez la cause du blocage. Nettoyez le tuyau d'aspiration, le clapet de pied, le préfiltre et la pompe.

RANGEMENT ET PROTECTION CONTRE LE GEL

La pompe de jardin et ses accessoires peuvent geler s'ils ne sont pas complètement vidangés. Vidangez complètement la pompe de jardin et ses accessoires et protégez-les contre le gel.

Conservez l'appareil dans un local bien aéré dont la température ne descend pas en dessous de +5°C. Lorsqu'il n'est pas utilisé, rangez cet appareil dans un endroit sûr, hors de portée des enfants.

GUIDE DE DÉPANNAGE

Problème	Cause	Remède
La pompe ne démarre pas	Il n'y a pas d'alimentation électrique	Contrôlez l'alimentation électrique
La pompe est active mais ne fournit pas d'eau (après un démarrage de plus de 5 minutes)	La pompe n'est pas entièrement remplie d'eau	Remplissez à nouveau la pompe d'eau et vérifiez le clapet de pied du tuyau d'aspiration
	Air dans le tuyau d'aspiration	Vérifiez l'étanchéité des différents joints du tuyau d'aspiration
	Le niveau d'eau est trop bas	Ajustez la hauteur d'installation de la pompe (< 8 m)
	Le tuyau d'aspiration, le clapet de pied, le préfiltre ou la pompe sont bloqués	Nettoyez le tuyau d'aspiration, le clapet de pied, le préfiltre ou la pompe

<p>Pression insuffisante</p>	<p>Type de pompe incorrect</p> <p>Le tuyau d'aspiration est trop long ou comporte trop de coudes, le diamètre du tuyau d'aspiration n'est pas choisi en fonction des besoins</p> <p>Le tuyau d'aspiration, le clapet de pied, le préfiltre ou la pompe sont bloqués</p> <p>Le tuyau de sortie est incorrect ou mal installé</p>	<p>Choisissez une pompe appropriée</p> <p>Pour que le débit soit maximum, un tuyau d'aspiration de 25 mm, 32 mm ou 38 mm (diamètre intérieur) doit être utilisé. Raccourcissez le tuyau d'aspiration</p> <p>Nettoyez le tuyau d'aspiration, le clapet de pied, le préfiltre ou la pompe</p> <p>Vérifiez le tuyau d'évacuation et les raccords. Plus le diamètre du tuyau et du raccord est grand, plus le débit est important. Plus la hauteur de transfert de l'eau est basse, plus le débit est important.</p>
<p>Le pompe ne démarre pas et ne s'arrête pas pendant son utilisation.</p> <p>La pompe s'éteint après n'avoir fonctionné que pendant peu de temps</p>	<p>Le disjoncteur thermique de protection contre les surcharges s'est déclenché</p> <p>Courant coupé</p> <p>Eau trop chaude</p>	<p>Débranchez l'alimentation, patientez 5 minutes et nettoyez le tuyau d'aspiration, le clapet de pied, le préfiltre ou la pompe</p> <p>Contrôlez les fusibles et les raccordements électriques</p> <p>Veillez à ce que la température de l'eau ne dépasse pas 35°C au maximum.</p>

Uniquement pour les pays de l'UE

Ne jetez pas les outils électriques avec les déchets domestiques. Selon la Directive européenne 2012/19/ CE relative aux déchets d'équipements électriques et électroniques et sa mise en oeuvre dans le droit national, les outils électriques hors d'usage doivent être collectés séparément et mis au rebut de manière écologique.

GARANTIE

Les produits VONROC sont développés aux plus hauts standards de qualité et ils sont garantis contre les défauts de pièces et de main d'oeuvre pendant la durée légale stipulée à partir de la date d'achat d'origine du produit. En cas d'une quelconque panne du produit pendant cette durée qui serait due à un défaut matériel et/ou de main d'oeuvre, contactez directement VONROC.

Les circonstances suivantes ne sont pas prises en charge par la garantie:

- Des réparations ou altérations ont été effectuées ou tentées sur la machine par un centre de réparation non agréé.
- L'usure normale.
- L'outil a été maltraité, mal utilisé ou mal entretenu.
- Des pièces détachées non d'origine ont été utilisées

Ceci constitue l'unique garantie accordée par la société explicitement ou implicitement. Il n'existe aucune autre garantie, explicite ou implicite, qui peut s'étendre au delà du contenu ici présent, y compris les garanties marchandes ou d'adaptation à des fins particulières. En aucun cas VONROC ne sera tenu responsable de dommages accidentels ou consécutifs. Les solutions proposées par les revendeurs devront se limiter à la réparation ou le remplacement des éléments ou pièces non conformes.

ENVIRONNEMENT



Les équipements électroniques ou électriques défectueux ou destinés à être mis au rebut doivent être déposés aux points de recyclage appropriés.

Le produit et le manuel d'utilisation sont sujets à modifications. Les spécifications peuvent changer sans préavis.

1. INSTRUCCIONES DE SEGURIDAD

Lea las advertencias de seguridad, las advertencias de seguridad adicionales y las instrucciones adjuntas. De no respetarse las advertencias de seguridad y las instrucciones, podrían producirse descargas eléctricas, incendios y/o lesiones graves. Conserve las advertencias de seguridad y las instrucciones para su posterior consulta.

Los siguientes símbolos se utilizan en el manual de usuario o en el producto:



Lee el manual del usuario.



Denota riesgo de lesiones personales, pérdida de vida o daños a la herramienta en caso de incumplimiento de las instrucciones del presente manual.



Indica el peligro de sufrir descargas eléctricas.



Proteja el aparato contra el hielo.



Profundidad máx.



GP525AC: Nivel de potencia sonora garantizado LWA = 77 dB(A)



GP526AC: Nivel de potencia sonora garantizado LWA = 81 dB(A)



No deseche el producto en contenedores no adecuados.



El producto es conforme con las normas de seguridad vigentes en las Directivas Europeas.

NOTAS RELATIVAS A LA SEGURIDAD

ESTE APARATO PUEDE SER UTILIZADO POR NIÑOS A PARTIR DE 8 AÑOS DE EDAD Y POR PERSONAS CON CAPACIDADES FÍSICAS, SENSORIALES O MENTALES REDUCIDAS O QUE CAREZCAN DE EXPERIENCIA Y CONOCIMIENTOS, SI ESTÁN SUPERVISADAS O CAPACITADAS SOBRE EL USO DEL APARATO DE MODO SEGURO Y SI COMPRENDEN LOS PELIGROS QUE SUPONE. LOS NIÑOS NO DEBEN JUGAR CON EL APARATO. LA LIMPIEZA Y EL MANTENIMIENTO DE USUARIO NO DEBEN SER EFECTUADOS POR NIÑOS,

SIN SUPERVISIÓN. SI EL CABLE DE ALIMENTACIÓN SE DAÑA, DEBE SER SUSTITUIDO POR EL FABRICANTE, UN TALLER DE REPARACIÓN AUTORIZADO U OTRAS PERSONAS CON UNA CUALIFICACIÓN SIMILAR, CON EL FIN DE EVITAR PELIGROS. ANTES DE LIMPIAR O REALIZAR TRABAJOS DE MANTENIMIENTO EN EL APARATO, SE DEBE SACAR EL ENCHUFE DE LA TOMA DE CORRIENTE.

Lea detenidamente todas estas instrucciones antes de usar el aparato y guárdelas para futuras consultas. Es muy importante que entienda cómo usar este aparato en modo seguro; para ello, tómese el tiempo necesario para familiarizarse con los requisitos indicados en estas instrucciones.

- Si tiene alguna duda sobre el uso del aparato, le recomendamos encarecidamente que consulte a una persona debidamente cualificada.
- La conexión eléctrica debe estar protegida por un dispositivo diferencial residual (DDR) en la toma de corriente, con una corriente de desconexión nominal de 30 mA (máx.).
- Mantenga a los niños y a las mascotas alejados del área de trabajo, y nunca permita que los niños usen este aparato o toquen el cable de extensión en ningún momento. Cuando no use el aparato, guárdelo en un lugar seguro, fuera del alcance de los niños.
- Nunca deje el aparato sin vigilancia cuando esté funcionando.
- Nunca tire el aparato por el cable de alimentación. Desplácelo usando el asa de transporte.
- No deje que el cable de alimentación apoyado sobre objetos afilados ni que atravesase tales objetos pues estos puedan perforar el aislamiento exterior. Realice una inspección visual del cable de alimentación antes de usarlo y, si está dañado, hágalo cambiar en un centro de servicio especializado. No use el aparato si el cable está dañado.
- Mantenga el cable de alimentación alejado del calor, escarcha, aceite, disolventes o cualquier objeto o borde afilado.
- Las conexiones eléctricas, como, por ejemplo, el cable prolongador, deben estar protegidas de la humedad en todo momento.
- Compruebe que la potencia nominal del aparato coincida con la potencia nominal de su red eléctrica. La tensión de alimentación debe estar comprendida entre 230VAC.

- Nunca deje este aparato en seco, fuera del agua. Si el aparato se sobrecalienta, el disyuntor térmico lo apagará. Si esto sucede, espere 5 minutos antes de volver a usar el aparato.
- Enciéndalo siempre con las manos secas.
- ¡Nunca use este aparato en un estanque o piscina si hay gente en el agua!
- No use la bomba para el agua potable.
- La bomba no debe usarse para transportar sustancias corrosivas, inflamables o explosivas, grasa, aceite, agua salada ni aguas residuales.
- El pH del agua debe estar comprendido entre 6,5 y 8,5.
- La temperatura del líquido transportado no puede superar los 35 °C.

Seguridad eléctrica

Durante la utilización de aparatos eléctricos se observarán las normas de seguridad que rigen en el país en cuestión para reducir el peligro de incendio, electrocución y las lesiones. Léanse y ténganse en cuenta las siguientes instrucciones de seguridad y las que acompañan a los aparatos.



Compruebe siempre que la tensión de red corresponde con la especificada en la placa de modelo.

Conexión al suministro de energía

Compruebe que la fuente de alimentación y el enchufe utilizados sean adecuados para la máquina. Consulte los datos de la placa de características de la máquina. Todos los cambios deben ser realizados siempre por un electricista cualificado.



¡Advertencia! Esta máquina debe estar conectada a tierra. Si no se conecta a tierra correctamente, esta máquina puede causar una descarga eléctrica. Compruebe que el enchufe de la fuente de alimentación esté conectado a tierra. Si tiene alguna duda, hágalo revisar por un electricista cualificado.



¡Advertencia! Evite el contacto con los terminales del enchufe cuando conecte el enchufe en la toma de corriente o lo desconecte. El contacto puede causar una fuerte descarga eléctrica.

Sustitución de cables y conectores

Si el cable de alimentación se daña, debe ser sustituido por el fabricante, sus centros de servicios u otras personas con cualificación similar, para evitar peligros. Deséchense los cables y conectores una vez sustituidos inmediatamente. Es peligroso conectar el enchufe de un cable defectuoso a una toma de corriente.

Uso de los cables de extensión

Utilice exclusivamente un cable de extensión aprobado para la entrada de alimentación de la máquina. El tamaño mínimo del conductor es 1.5 mm². Cuando utilice una bobina de cable, deshaga siempre la bobina al completo.

2. INFORMACIÓN DE LA MÁQUINA

La bomba de jardín está destinada a uso privado, para el riego de jardines, no ha sido prevista para uso comercial. La bomba no debe utilizarse para transportar sustancias explosivas, corrosivas e inflamables, aguas residuales, agua salada, grasa ni aceite.

Ha sido concebida para bombear únicamente agua limpia y de lluvia. El tamaño de las partículas sólidas del agua no debe exceder el tamaño máximo especificado en los datos técnicos.

Esta bomba no ha sido diseñada para el funcionamiento continuo (p.ej., como bomba de circulación para piscinas o estanques).

ESPECIFICACIONES TÉCNICAS

Modelo n.º	GP525AC	GP526AC
Carcasa de la bomba	Plástico	Acero inoxidable
Voltaje	230 VCA / 50 Hz	
Potencia de entrada	800 W	1000 W
Caudal máx. (Fig. B)	3300 l/h	3500 l/h
Presión máx.	4 bar	4,4 bar
Altura máx. bombeo (Fig. B)	40 m	44 m
Altura máx. aspiración autocebador	8 m	
Tamaño máx. partículas	1 mm (agua limpia)	

Temperatura máx. agua	35 °C	
Protección	IPX4	
Conexión de presión	Rosca interna G1"	
Conexión de aspiración	Rosca interna G1"	
Manguera int. recomendada diámetro (manguera de aspiración)	25 mm, 32 mm, 38 mm	
Longitud del cable	1,2 m	
Peso	5,5 kg	6,32 kg
Nivel de presión sonora L_{pA}	62,6 dB(A) K = 2,22 dB(A)	66,2 dB(A) K = 2,66 dB(A)
Nivel de presión sonora L_{WA}	74,5 dB(A) K = 2,22 dB(A)	78,1 dB(A) K = 2,66 dB(A)

DESCRIPCIÓN

Los números del texto se refieren a los diagramas de las páginas 2-5.

1. Interruptor de encendido/apagado
2. Tapón de vaciado
3. Entrada de agua
4. Válvula de aspiración / antirretorno (no incluida)
5. Tapón de llenado
6. Salida de agua
7. Asa de transporte
8. Manguera de aspiración (no incluida)

3. MONTAJE



Antes de realizar cualquier trabajo en la bomba, desconecte el cable de alimentación de la red eléctrica.

Colocación del asa (Fig. C)

1. Ponga el asa delantera (7) en la máquina, como se muestra en la figura C.
2. Monte el asa (7) apretando los dos tornillos.

Instalación de la bomba (Fig. E)

La bomba debe instalarse en un entorno ventilado y seco. Puede instalarse en el exterior, siempre que tenga una cubierta adecuada de protección contra la lluvia y el viento. Asegúrese de que la bomba esté colocada en un suelo horizontal y estable. Coloque siempre la bomba de jardín en un punto más

alto que la superficie del agua, como se muestra en la figura E.

Colocación de la manguera de aspiración (Fig. A, D, E)



No utilice ningún accesorio del sistema de conexión de la manguera ni mangueras de agua estándar en el lado de aspiración. Debe utilizarse un juego de manguera de aspiración (8) con un acoplamiento adecuado (rosca exterior G1") y una válvula de aspiración (4). La válvula de aspiración (4) impide el retorno del agua al final del proceso de bombeo.



Debe utilizarse una manguera de aspiración (8) de 25 mm, 32 mm o 38 mm (diámetro interior) para obtener el máximo caudal.



La manguera de aspiración (8) debe ser lo más corta posible.

1. Llene la manguera de aspiración (8) con agua corriente limpia, como se muestra en la figura D.
2. Aplique cinta de sellado de roscas (cinta de teflón) al acoplamiento roscado de la manguera de aspiración.
3. Atornille el acoplamiento de la manguera de aspiración de forma hermética en la entrada de agua.
4. La válvula de aspiración (4) debe colocarse en posición vertical y a 30 cm como mínimo del fondo del agua, para evitar la aspiración de arena y piedras, como se muestra en la figura E.

Colocación de la manguera de salida (Fig. A)



Cuanto mayor sea el diámetro de la manguera y del conector de la manguera, mayor será el flujo.



Cuanto más baja sea la altura de entrega, mayor será el flujo.

1. Decida qué diámetro de manguera y qué accesorios del sistema de conexión de mangueras va a usar.
2. Aplique cinta de sellado de roscas (cinta de teflón) al acoplamiento roscado.
3. Enrosque el acoplamiento (no incluido) en la salida de agua (6).
4. Conecte la manguera (no incluida) al acoplamiento.

5. Compruebe que la manguera no esté retorcida.

Llenado de la bomba de agua (Fig. A, F)

1. Desenrosque y quite el tapón de llenado (5).
2. Llene la bomba con agua corriente limpia, como se muestra en la figura F. No llene la bomba excesivamente.
3. Vuelva a poner el tapón de llenado (5), sin apretarlo demasiado.

4. FUNCIONAMIENTO



¡Nunca use esta bomba en un estanque o piscina si hay gente en el agua!



Enciéndala o apáguela solo con las manos secas.



Nunca haga funcionar esta bomba antes de que la bomba y la manguera de aspiración (8) estén llenas de agua.



Limpie la válvula de aspiración (no incluida) y el prefiltro (no incluido) a intervalos periódicos, y compruebe que no estén dañados. De lo contrario, se puede deteriorar el funcionamiento.

Encendido/apagado (Fig. A)

1. Compruebe que el interruptor de encendido/apagado (1) esté en la posición 'O' antes de conectar la bomba a la fuente de alimentación.
2. Ponga el interruptor de encendido y apagado (1) en la posición 'I' para encender la bomba. Cuando ponga en marcha la bomba, primero habrá mucho aire en el agua. Esto no es un defecto de la bomba, sino que sirve para eliminar el aire de la bomba. Puede llevar varios segundos eliminar el aire cuando la bomba se sumerge por primera vez.
3. Ponga el interruptor de encendido y apagado (1) en la posición 'O' para apagar la bomba.

Fin del funcionamiento (Fig. A, G)



No toque la bomba salvo que la corriente haya estado cortada durante al menos 5 minutos.



Cuando haya riesgo de heladas o si no utiliza la bomba durante mucho tiempo, guárdela adecuadamente.

1. Compruebe que el interruptor de encendido y apagado (1) esté en la posición 'O'.
2. Desconecte el enchufe de la red eléctrica.
3. Desenrosque y quite el tapón de vaciado (2). Deje salir el agua.
4. Tire de la manguera de aspiración (tenga cuidado porque está llena de agua).
5. Desenrosque la manguera de aspiración (8) de la entrada de agua (3).
6. Retire el filtro y la válvula de aspiración (4) y aclare con agua limpia. Compruebe que no haya quedado agua en la manguera de aspiración (8).
7. Retire la manguera de aspiración de la entrada de agua (6). Desenrosque el acoplamiento de la salida de agua (6).
8. Vuelva a poner el tapón de vaciado (2), sin apretarlo demasiado.
9. Limpie y guarde el aparato (Consulte 'Mantenimiento')

5. MANTENIMIENTO



Antes de realizar la limpieza y el mantenimiento, apague siempre la máquina y extraiga el enchufe de la red de alimentación.

Limpie regularmente la carcasa del aparato con un paño suave, preferentemente después de cada uso. Elimine el polvo persistente utilizando un paño suave humedecido con agua y jabón. No use disolventes tales como gasolina, alcohol, amoníaco, etc. Tales productos químicos pueden dañar los componentes sintéticos.

Si el aparato parece estar bloqueado, desconecte la alimentación de la red, desenchufe el enchufe de la toma de corriente y compruebe si el aparato está bloqueado. Limpie la manguera de aspiración, la válvula de aspiración, el prefiltro y la bomba.

ALMACENAMIENTO Y PROTECCIÓN CONTRA EL HIELO

La bomba de jardín y los accesorios que no estén totalmente drenados pueden destruirse con las heladas. Drene totalmente la bomba de jardín y sus accesorios y protéjalos contra el hielo. Guarde el aparato en un lugar ventilado y seco en el que la temperatura no sea inferior a +5 °C.

Cuando no use el aparato, guárdelo en un lugar seguro, fuera del alcance de los niños.

GUÍA DE SOLUCIÓN DE PROBLEMAS

Problema	Causa	Solución
La bomba no arranca	No hay suministro eléctrico	Compruebe el suministro eléctrico
La bomba está activa pero no suministra agua (transcurridos más de 5 minutos del encendido)	La bomba no está completamente llena de agua	Vuelva a llenar la bomba con agua y compruebe la válvula de aspiración de la manguera de aspiración
	Aire en la manguera de aspiración	Compruebe la estanqueidad de las distintas juntas de la manguera de aspiración
	El nivel de agua es demasiado bajo	Ajuste la altura de instalación de la bomba (< 8 m)
	La manguera de aspiración, la válvula de aspiración, el prefiltro o la bomba están bloqueados.	Limpie la manguera de aspiración, la válvula de aspiración, el prefiltro o la bomba
Presión insuficiente	Tipo de bomba incorrecto	Seleccione la bomba adecuada
	La manguera de aspiración es demasiado larga o tiene demasiadas curvas, el diámetro de la manguera de aspiración no se ha seleccionado correctamente	Para obtener el máximo caudal, debe utilizarse una manguera de 25 mm, 32 mm o 38 mm (diámetro interior). Acorte la manguera de aspiración
	La manguera de aspiración, la válvula de aspiración, el prefiltro o la bomba están bloqueados.	Limpie la manguera de aspiración, la válvula de aspiración, el prefiltro o la bomba
	La manguera de salida no es adecuada o está instalada incorrectamente	Compruebe la manguera de salida y las conexiones. Cuanto mayor sea el diámetro de la manguera y la conexión de la manguera, mayor será el caudal. Cuanto más baja sea la altura de entrega, mayor será el flujo.

La bomba no se pone en marcha o se detiene durante el uso.	Se ha activado el interruptor de seguridad contra sobrecarga térmica	Desconecte de la red eléctrica, deje 5 minutos y limpie la manguera de aspiración, la válvula de aspiración, el prefiltro o la bomba
La bomba se apaga después de un breve período de funcionamiento	Se ha desconectado la corriente	Compruebe los fusibles y las conexiones eléctricas
	Agua demasiado caliente	Compruebe que la temperatura del agua no supere el máximo de 35 °C

MEDIOAMBIENTE



Los aparatos eléctricos o electrónicos defectuosos y/o desechados deben recogerse en lugares de reciclado apropiado.

Los aparatos eléctricos o electrónicos

Defectuosos y/o desechados deben recogerse en lugares de reciclado apropiado. Solo para países de la Comunidad Europea No elimine las herramientas eléctricas como residuos domésticos. De acuerdo con la Directiva europea 2012/19/CE sobre residuos de aparatos eléctricos y electrónicos, y su transposición a las legislaciones nacionales, las herramientas eléctricas que ya no se utilizan deben recogerse por separado y eliminarse en modo ecológico.

CONDICIONES DE GARANTÍA

Los productos VONROC han sido desarrollados con los más altos estándares de calidad y VONROC garantiza que están exentos de defectos relacionados con los materiales y la fabricación durante el periodo legalmente estipulado, a contar desde la fecha de compra original. En caso de que el producto presente defectos relacionados con los materiales y/o la fabricación durante este periodo, póngase directamente en contacto VONROC.

La presente garantía se excluye en los siguientes casos:

- Si centros de servicios no autorizados han realizado o han intentado realizar reparaciones y/o alteraciones a la máquina.

- Si se ha producido un desgaste normal.
- Si la herramienta ha sido mal tratada o usada en modo impropio, o se ha realizado incorrectamente su mantenimiento.
- Si se han utilizado piezas de repuesto no originales.

La presente constituye la única garantía implícita y explícita que ofrece la compañía. No existen otras garantías explícitas o implícitas que excedan las citadas aquí, incluidas las garantías implícitas de comerciabilidad e idoneidad para una finalidad en especial. VONROC no será considerada responsable en ningún caso por daños incidentales o consecuentes. Los recursos a disposición de los distribuidores se limitan a la reparación o a la sustitución de las unidades o piezas no conformes.

El producto y el manual de usuario están sujetos a variaciones. Las especificaciones pueden variarse sin previo aviso.

1. ISTRUZIONI DI SICUREZZA

Leggere accuratamente gli avvisi di sicurezza, gli avvisi di sicurezza aggiuntivi e le istruzioni. La mancata osservanza degli avvisi di sicurezza e delle istruzioni potrebbe causare scosse elettriche, incendio e/o gravi lesioni. Mantenere gli avvisi di sicurezza e le istruzioni a portata di mano per future consultazioni.

I seguenti simboli sono utilizzati nel presente manuale utente o sul prodotto:



Leggere il manuale per l'utente.



Denota il rischio di lesioni personali, morte o danni all'utensile in caso di mancata osservanza delle istruzioni contenute nel presente manuale.



Indica il rischio di scossa elettrica.



Proteggere la macchina dal gelo.



Profondità max.



GP525AC: Livello di potenza sonora garantito LWA = 77 dB(A)



GP526AC: Livello di potenza sonora garantito LWA = 81 dB(A)



Non smaltire il prodotto in contenitori non idonei.



Il prodotto è conforme agli standard pertinenti in materia di sicurezza previsti dalla legislazione Europea.

NOTE DI SICUREZZA

QUESTA APPARECCHIATURA PUÒ ESSERE UTILIZZATA DA BAMBINI DA 8 ANNI NONCHÉ DA PERSONE CON CAPACITÀ FISICHE, SENSORIALI O MENTALI O DA MANCANZA DI ESPERIENZA, SE SI TROVANO SOTTO SORVEGLIANZA O ISTRUZIONE IN MERITO ALL'USO DELL'APPARECCHIATURA IN MODO SICURO E COMPRENDONO I RISCHI DEL CASO. ACCERTARSI CHE I BAMBINI NON GIOCHINO CON L'APPARECCHIATURA. LA PULIZIA E LA MANUTENZIONE UTENTE NON DEVE ESSERE ESEGUITA DA BAMBINI SENZA SUPERVISIONE. SE IL CAVO DI ALIMENTAZIONE È DANNEGGIATO, DEVE ESSERE SOSTITUITO DAL

COSTRUTTORE, DA UN SUO RAPPRESENTANTE ADDETTO ALL'ASSISTENZA O DA ALTRE PERSONE CON QUALIFICA SIMILARE AL FINE DI EVITARE RISCHI PER LA SICUREZZA. IL CAVO DEVE ESSERE ESTRATTO DALLA PRESA DI CORRENTE PRIMA DI PULIRE L'APPARECCHIO O SOTTOPORLO A MANUTENZIONE.

Prima di utilizzare questo apparecchio, leggere attentamente e a fondo queste istruzioni e conservarle per consultazione successiva. È molto importante comprendere come utilizzare questo apparecchio in sicurezza, pertanto invitiamo a prendersi il tempo necessario per acquisire familiarità con i requisiti descritti in queste istruzioni.

- Per qualsiasi dubbio sull'utilizzo di questo apparecchio, consigliamo vivamente di rivolgersi a un professionista in possesso delle competenze necessarie.
- Il connettore elettrico deve essere protetto da un interruttore differenziale salvavita (RCD) installato presso la presa di corrente, con una corrente di sgancio nominale di 30mA (max).
- Tenere i bambini e gli animali domestici a debita distanza dall'area di lavoro e non consentire mai ai bambini di utilizzare questo apparecchio o di toccare il cavo di prolunga. Quando non viene usato, conservare l'apparecchio in un luogo sicuro, fuori dalla portata dei bambini.
- Non lasciare mai l'apparecchio incustodito quando è acceso.
- Non tirare mai l'apparecchio dal cavo di alimentazione. Trasportarlo afferrandolo il manico di trasporto.
- Evitare di posare il cavo di alimentazione su oggetti affilati che potrebbero perforare l'isolamento esterno. Ispezionare visivamente il cavo di alimentazione prima dell'uso e, se dovesse essere danneggiato, farlo sostituire presso un centro di assistenza specializzato. Non utilizzare l'apparecchio se il cavo di alimentazione è danneggiato.
- Tenere il cavo di alimentazione lontano da calore, gelo, olio, solventi od oggetti e bordi appuntiti.
- I collegamenti elettrici, come per esempio il cavo di prolunga, devono essere sempre protetti dall'umidità.
- Controllare che la potenza nominale dell'apparecchio corrisponda a quella della rete elettrica. La tensione di alimentazione deve essere compresa tra 230 VAC.
- Non fare mai funzionare questo apparecchio

a secco, fuori dall'acqua. Se l'apparecchio si surriscalda, il dispositivo termico di interruzione lo spegne. Se ciò dovesse accadere, attendere 5 minuti prima di utilizzare nuovamente l'apparecchio.

- Riaccendere di nuovo l'apparecchio solo con le mani asciutte.
- Non utilizzare mai questo apparecchio in uno stagno o in una piscina in presenza di persone in acqua!
- Non usare la pompa per l'acqua potabile.
- Sostanze corrosive, infiammabili o esplosive, grasso, olio, acqua salata e liquami non devono essere trasportati dalla pompa.
- Il pH dell'acqua deve essere compreso tra 6,5 e 8,5.
- La temperatura del liquido pompato non deve superare i 35 °C.

Sicurezza elettrica

Durante l'uso di macchine elettriche osservare sempre le norme di sicurezza del Vostro paese per ridurre il rischio di incendio, folgorazione, e lesioni personali. Leggere le seguenti istruzioni di sicurezza e anche quelle allegate.



Controllate sempre che il voltaggio della rete elettrica corrisponda a quello indicato sulla targhetta dati dell'apparecchio.

Collegamento alla rete elettrica

Controllare che la rete elettrica e la spina utilizzate siano conformi ai requisiti dell'apparecchio. Controllare la relativa targhetta di identificazione. Eventuali modifiche devono sempre essere effettuate da un elettricista qualificato.



Avvertenza! Questo apparecchio deve essere collegato a terra. In caso di collegamento a terra inappropriato, l'apparecchio può causare una scossa elettrica. Accertarsi che la presa di corrente sia dotata di messa a terra. In caso di dubbi farla controllare da un elettricista qualificato.



Avvertenza! Evitare il contatto con i terminali della spina quando si inserisce (si stacca) la spina alla (dalla) presa di corrente. Il contatto causerebbe una intensa scossa elettrica.

Sostituzione di cavi o prese

Se il cavo di alimentazione è danneggiato, deve essere sostituito dal costruttore, da un suo rappresentante addetto all'assistenza o da altre persone con qualifica simile al fine di evitare rischi per la sicurezza. Eliminare vecchi cavi o prese che sono stati sostituiti da nuovi. E' pericoloso inserire in una presa di corrente la spina di un cavo scoperto.

Uso di prolunghe

Usate solo prolunghe approvate adatte alla potenza d'ingresso della macchina. La dimensione minima del conduttore è 1,5 mm². Quando si usa una prolunga su un avvolgicavo, srotolarla completamente.

2. INFORMAZIONI RELATIVE ALL'ELETTROUTENSILE

Questa pompa da giardino è destinata all'uso privato per l'irrigazione di giardini e non per finalità commerciali. Non usarla per pompare sostanze esplosive, corrosive o infiammabili, grasso, olio, acqua salata e liquami.

Essa è concepita esclusivamente per pompare acqua piovana e acqua pulita. La dimensione delle particelle dei solidi contenuti nell'acqua non deve superare la dimensione delle particelle massima indicata nei Dati tecnici.

Questa pompa non è concepita per il funzionamento continuo (ad esempio come le pompe di ricircolo per piscine o stagni).

DATI TECNICI

Codice modello	GP525AC	GP526AC
Alloggiamento della pompa	Plastica	Acciaio inossidabile
Tensione	230 V CA / 50 Hz	
Potenza assorbita	800 W	1000 W
Portata max. (Fig. B)	3300 l/h	3500 l/h
Pressione max.	4 bar	4,4 bar
Altezza di pompaggio max. (Fig. B)	40 m	44 m
Altezza massima di aspirazione auto adescante	8 m	
Dimensione max. particelle	1 mm (acqua pulita)	

Temperatura dell'acqua max.	35 °C	
Grado di protezione	IPX4	
Raccordo di mandata	Filettatura interna G1"	
Raccordo di aspirazione	Filettatura interna G1"	
Diametro interno tubo consigliato (tubo di aspirazione)	25 mm, 32 mm, 38 mm	
Lunghezza del cavo	1,2 m	
Peso	5,5 kg	6,32 kg
Livello di pressione sonora L _{PA}	62,6 dB(A) K = 2,22 dB(A)	66,2 dB(A) K = 2,66 dB(A)
Livello di potenza sonora L _{WA}	74,5 dB(A) K = 2,22 dB(A)	78,1 dB(A) K = 2,66 dB(A)

DESCRIZIONE

I numeri che compaiono nel testo si riferiscono ai disegni riportati alle pagine 2-5.

1. Interruttore di accensione/spengimento
2. Tappo di scarico
3. Ingresso dell'acqua
4. Valvola di fondo/di non ritorno (non in dotazione)
5. Tappo di riempimento
6. Uscita dell'acqua
7. Manico di trasporto
8. Tubo di aspirazione (non in dotazione)

3. MONTAGGIO



Prima di eseguire qualsiasi lavoro sulla pompa, scollegare la spina dalla presa di corrente.

Fissaggio del manico (Fig. C)

1. Collocare il manico (7) sulla pompa, come illustrato nella Figura C.
2. Fissare il manico (7) serrando le due viti.

Installazione della pompa (Fig. E)

Installare la pompa in un ambiente ventilato e asciutto. È possibile installarla all'aperto, purché sia adeguatamente protetta dalla pioggia e dal vento. Assicurarsi che sia posta su un fondo orizzontale e stabile. Sistemare sempre la pompa da giardino in un punto più alto rispetto alla superficie dell'acqua, come illustrato nella Figura E.

Collegamento del tubo di aspirazione (Fig. A, D, E)

Non utilizzare raccordi per sistemi di collegamento di tubi flessibili o tubi d'acqua standard sul lato di aspirazione! È necessario usare un tubo di aspirazione (8) flessibile con un raccordo adatto (con filettatura esterna G1") e una valvola di fondo (4). La valvola di fondo (4) impedisce il reflusso dell'acqua al termine del processo di pompaggio.



Per ottenere la portata massima occorre usare un tubo di aspirazione (8) flessibile con diametro interno di 25 mm, 32 mm o 38 mm.



Il tubo di aspirazione (8) dovrà essere il più corto possibile.

1. Riempire il tubo di aspirazione (8) con acqua del rubinetto pulita, come illustrato nella Figura D.
2. Applicare del nastro sigillante per filettature (nastro in Teflon) sul raccordo filettato del tubo di aspirazione.
3. Avvitare il raccordo del tubo di aspirazione a tenuta d'aria all'ingresso dell'acqua.
4. La valvola di fondo (4) deve essere posizionata verticalmente e ad almeno 30 cm dal fondo dell'acqua per evitare l'aspirazione di sabbia e sassi, come illustrato nella Figura E.

Collegamento del tubo di uscita (Fig. A)

Più grande è il diametro del tubo e del rispettivo raccordo, maggiore è la portata.



Più bassa è l'altezza di mandata, maggiore è la portata.

1. Decidere il diametro del tubo e i raccordi per il sistema di collegamento del tubo che si intende utilizzare.
2. Applicare del nastro sigillante per filettature (nastro in Teflon) sul raccordo filettato del tubo di aspirazione scelto.
3. Avvitare il raccordo (non in dotazione) all'uscita dell'acqua (6).
4. Collegare il tubo (non in dotazione) al raccordo.
5. Controllare che il tubo non presenti imperfezioni.

Riempimento della pompa con l'acqua (Fig. A, F)

1. Svitare e rimuovere il tappo di riempimento dell'acqua (5).
2. Riempire la pompa con acqua di rubinetto pulita, come mostrato nella Figura F, senza superare il livello massimo di riempimento.
3. Riposizionare il tappo di riempimento (5) senza serrarlo eccessivamente.

4. USO

Non utilizzare mai questa pompa in uno stagno o in una piscina in presenza di persone in acqua!



Accendere e spegnere la pompa solo con le mani asciutte.



Non mettere mai in funzione la pompa prima di avere riempito di acqua il tubo di aspirazione (8).



Pulire la valvola di fondo e il pre-filtro (entrambi non in dotazione) a intervalli regolari, controllando inoltre che non presentino danni. In caso contrario potrebbero non funzionare.

Accensione / spegnimento (Fig. A)

1. Prima di collegare la pompa alla presa di corrente, controllare che l'interruttore di accensione/spegnimento (1) sia nella posizione di spegnimento "O".
2. Spostare l'interruttore di accensione/spegnimento (1) nella posizione "I" per accendere la pompa. All'avvio della pompa, in un primo momento ci sarà molta aria nell'acqua. Non si tratta di un difetto della pompa. Questo serve ad espellere l'aria dall'apparecchio. Quando la pompa viene immersa nell'acqua la prima volta possono trascorrere diversi minuti prima che l'aria sia espulsa.
3. Spostare l'interruttore di accensione/spegnimento (1) nella posizione "O" per spegnere la pompa.

Conclusione del lavoro (Fig. A, G)

Non toccare la pompa finché non saranno trascorsi almeno 5 minuti da quando è stata spenta.



In presenza di rischio di gelo o se non si utilizza la pompa per un lungo periodo, riporla in maniera adeguata.

1. Assicurarsi che l'interruttore di accensione/spengimento (1) sia nella posizione "0".
2. Scollegare la spina dalla presa di corrente.
3. Svitare e rimuovere il tappo di scarico dell'acqua (2). Lasciare scaricare l'acqua.
4. Alzare il tubo di aspirazione (fare attenzione, perché è pieno d'acqua).
5. Svitare il tubo di aspirazione (8) dall'ingresso dell'acqua (3).
6. Rimuovere il filtro e la valvola di fondo (4), poi sciacquare con acqua pulita. Assicurarsi che non ci sia più acqua nel tubo di aspirazione (8).
7. Staccare il tubo dell'acqua dall'uscita dell'acqua (6). Svitare il raccordo dall'uscita dell'acqua (6).
8. Riposizionare il tappo di scarico (2), senza serrarlo eccessivamente.
9. Pulire e riporre la pompa (vedere la Sezione "Manutenzione")

5. MANUTENZIONE



Prima di eseguire qualsiasi operazione di pulizia e intervento di manutenzione spegnere sempre l'elettrodomestico e staccare la spina dalla presa di corrente.

Pulire regolarmente il corpo dell'elettrodomestico con un panno morbido, preferibilmente dopo ogni uso. Rimuovere lo sporco particolarmente ostinato con un panno morbido inumidito con acqua e sapone. Non utilizzare solventi come benzina, alcol, ammoniacca, ecc. Le sostanze chimiche di questo tipo danneggiano i componenti sintetici.

Se l'apparecchio dovesse apparire bloccato, staccare la corrente dall'impianto elettrico, scollegare la spina dalla presa elettrica e controllare che non vi siano ostruzioni nella macchina. Pulire il tubo di aspirazione, la valvola di fondo, il pre-filtro e la pompa.

CONSERVAZIONE E PROTEZIONE DAL GELO

Se l'acqua non viene scaricata completamente dalla pompa da giardino e dai relativi accessori, un'eventuale esposizione al gelo può causare danni gravissimi. Svuotare completamente la pompa da giardino e gli accessori dall'acqua e proteggerli dal gelo. Conservare la pompa in un ambiente asciutto e ben ventilato, in cui la temperatura non scenda al di sotto di +5 °C.

Quando non viene usato, conservare l'apparecchio in un luogo sicuro, fuori dalla portata dei bambini.

GUIDA PER LA RISOLUZIONE DEI PROBLEMI

Problema	Causa	Soluzione
La pompa non si avvia	Alimentazione di rete assente	Controllare l'alimentazione di rete
La pompa è attiva, ma non viene erogata acqua (dopo essere stata avviata per più di 5 minuti)	La pompa non è completamente piena d'acqua	Riempire nuovamente la pompa con l'acqua e controllare la valvola di fondo del tubo di aspirazione
	È presente aria nel tubo di aspirazione	Controllare la tenuta dei vari giunti del tubo di aspirazione
	Il livello dell'acqua è troppo basso	Regolare l'altezza di installazione della pompa (< 8 m)
	Il tubo di aspirazione, la valvola di fondo, il pre-filtro o la pompa è bloccato/a	Pulire il tubo di aspirazione, la valvola di fondo, il pre-filtro o la pompa

Pressione insufficiente	Tipo di pompa non corretto	Scegliere una pompa adatta
	Il tubo di aspirazione è troppo lungo o ha troppe curvaturei; il diametro del tubo di aspirazione scelto non è adatto	Per ottenere la portata massima occorre usare un tubo di aspirazione flessibile con diametro interno di 25 mm, 32 mm o 38 mm. Accorciare il tubo di aspirazione
	Il tubo di aspirazione, la valvola di fondo, il pre-filtro o la pompa è bloccato/a	Pulire il tubo di aspirazione, la valvola di fondo, il pre-filtro o la pompa
	Il tubo di uscita non è corretto oppure non è installato correttamente	Controllare il tubo di uscita e i raccordi. Più grande è il diametro del tubo e del rispettivo raccordo, maggiore è la portata. Più bassa è l'altezza di mandata, maggiore è la portata.
La pompa non si avvia e non si ferma durante l'uso.	Si è attivato il dispositivo termico di interruzione per sovraccarico	Scollegare la presa della pompa dalla presa di corrente, attendere 5 minuti e pulire il tubo di aspirazione, la valvola di fondo, il pre-filtro o la pompa
La pompa si spegne dopo brevi intervalli di funzionamento	È saltata la corrente	Controllare i fusibili e i collegamenti elettrici
	Acqua troppo calda	Assicurarsi che la temperatura dell'acqua non sia oltre il valore massimo di 35 °C

RISPETTO AMBIENTALE



Se si prevede che la macchina non verrà usata per molto tempo si consiglia di conservare le batterie cariche.

Solo per i Paesi CE

Non smaltire gli elettrodomestici insieme ai rifiuti domestici. Secondo la Direttiva europea 2012/19/EC sui rifiuti delle apparecchiature elettriche ed elettroniche e relativa implementazione nelle normative locali, gli elettrodomestici ormai inutilizzabili devono essere raccolti separatamente e smaltiti in modo ecologico.

DEFINIZIONI DELLA GARANZIA

I prodotti VONROC sono sviluppati secondo i più elevati standard di qualità e viene garantita l'assenza di difetti nei materiali e nella manodopera per il periodo contrattuale a partire dalla data di acquisto originale. Qualora il prodotto dovesse subire un guasto qualsiasi durante questo periodo a causa di difetti nei materiali e/o nella manodopera, si prega di contattare direttamente il VONROC.

Le seguenti circostanze sono escluse da questa garanzia:

- Riparazioni e/o modifiche alla macchina sono state eseguite o tentate da centri di assistenza non autorizzati.
- Normale usura.
- L'utensile è stato abusato, utilizzato o manutenu- to in modo improprio.
- Sono state utilizzate parti di ricambio non originali.

Ciò costituisce l'unica garanzia espressa o implicita fornita dall'azienda. Non esistono altre garanzie es- presse o implicite che si estendono oltre il presente documento, ivi comprese le garanzie implicite di commerciabilità e idoneità per uno scopo particolare. In nessun caso VONROC sarà responsabile di eventuali danni incidentali o consequenziali. I rime- di dei rivenditori saranno limitati alla riparazione o sostituzione di unità o parti non conformi.

Il prodotto e il manuale per l'utente sono soggetti a modifiche. I dati tecnici possono essere modificati senza ulteriore notifica.

1. SÄKERHETSFÖRESKRIFTER

Läs de medföljande säkerhetsvarningarna, de tillkommande säkerhetsvarningarna och anvisningarna. Om inte säkerhetsvarningarna och anvisningarna följs kan detta orsaka elstötar, brand och/eller allvarliga kroppsskador. Behåll säkerhetsvarningarna och anvisningarna för framtida bruk.

Följande symboler används i bruksanvisningen eller på produkten:



Läs igenom bruksanvisningen.



Anger risk för personskada, dödsfall eller skada på verktyget om anvisningarna i denna handbok inte följs.



Anger risk för elektrisk stöt.



Skydda apparaten mot frost.



Max djup.



GP525AC: Garanterad ljudeffektnivå
LWA = 77 dB(A)



GP526AC: Garanterad ljudeffektnivå
LWA = 81 dB(A)



Släng inte produkten i olämpliga behållare.



Produkten är i överensstämmelse med tillämpliga säkerhetsstandarder i EU-direktiven.

SÄKERHETSANVISNINGAR

DENNA APPARAT KAN ANVÄNDAS AV BARN FRÅN 8 ÅR OCH PERSONER MED NEDSATT FYSISK ELLER PSYKISK FÖRMÅGA ELLER BRISTANDE ERFARENHET ELLER KUNSKAP, OM DE ÖVERVAKAS ELLER FÅR INSTRUKTIONER OM HUR APPARATEN ANVÄNDS PÅ ETT SÄKERT SÄTT OCH ÄR MEDVETNA OM RISKERNA. BARN FÅR INTE LEKA MED APPARATEN. RENGÖRING OCH ANVÄNDARUNDERHÅLL SKA INTE UTFÖRAS AV BARN UTAN ÖVERVAKNING. OM EN STRÖMSLADD ÄR SKADAD MÅSTE DEN BYTAS AV TILLVERKAREN, TILLVERKARENS SERVICEOMBUD ELLER LIKNANDE KVALIFICERAD PERSONAL FÖR ATT UNDVIKA FARA. KONTAKTEN MÅSTE DRAS UT

UR ELUTTAGET INNAN APPARATEN RENGÖRS ELLER UNDERHÅLLS.

Läs dessa instruktioner noggrant innan du använder apparaten och förvara dem för framtida referens. Det är mycket viktigt att du förstår hur du använder apparaten på ett säkert sätt, så ta dig tid att bekanta dig med kraven som beskrivs i dessa instruktioner.

- Om du är osäker på något sätt när det gäller att använda denna apparat, rekommenderar vi starkt att du anlitar en lämplig kvalificerad person.
- Elektrisk anslutning måste skyddas av en jordfelsbrytare (RCD) i eluttaget med en nominell utlösningström på 30 mA (max).
- Håll barn och husdjur långt borta från arbetsområdet och låt aldrig barn använda apparaten eller vidröra förlängningssladden. När det inte används bör redskapet förvaras utom räckhåll för barn på en säker plats.
- Lämna aldrig apparaten utan uppsikt när den används.
- Dra aldrig apparaten i elsladden. Bär den med bärhandtaget.
- Låt inte elsladden ligga på eller över vassa föremål som kan sticka igenom den yttre isoleringen. Inspektera visuellt elsladden innan användning och, om den är skadad, byt den hos ett specialiserat servicecenter. Använd inte apparaten om sladden är skadad.
- Håll sladden borta från värme, frost, olja, lösningsmedel eller vassa föremål eller kanter.
- Elektriska anslutningar, t ex förlängningskabel, måste alltid skyddas mot fukt.
- Kontrollera att effektnivån på din apparat överensstämmer med elnätet. Matningsspänningen måste vara 230VAC.
- Kör aldrig apparaten torr utan vatten. Om apparaten överhettas stänger den termiska urkopplingen av den. Om detta händer, vänta fem minuter innan du använder apparaten igen.
- Slå bara på strömmen igen med torra händer.
- Använd aldrig apparaten i en damm eller pool när någon är i vattnet!
- Använd inte pumpen för dricksvatten.
- Frätande, brandfarliga eller explosiva ämnen, fett, olja, saltvatten och avlopp får inte transporteras av pumpen.
- Vattnets pH måste vara mellan 6,5 och 8,5.
- Temperaturen på den transporterade vätskan får inte överstiga 35 °C.

Elsäkerhet

När du använder elektriska maskiner beakta alltid de gällande säkerhetsbestämmelserna i ditt land för att reducera elfara, elektriska stötar och personsador. Läs de följande säkerhetsanvisningarna och också de bifogade säkerhetsanvisningarna.



Kontrollera alltid att energitillförseln motsvarar spänningen på märkplåten.

Anslutning till strömförsörjning

Kontrollera att strömförsörjningen och kontakten används i enlighet med din maskin. Ta en titt på typskylten på maskinen. Alla ändringar ska utföras av en behörig elektriker.



Varning! Denna maskin måste jordas. Om maskinen inte är ordentligt jordad kan den orsaka elstötar. Se till att eluttaget är jordat. Vid tveksamheter, kontrollera det med hjälp av en behörig elektriker.



Varning! Undvik kontakt med terminalerna på kontakten när du sätter i (eller tar bort) kontakten i (från) eluttaget. Beröring kommer att orsaka allvarliga elektriska stötar.

Byte av kablar och stickproppar

Om en strömsladd är skadad måste den bytas av tillverkaren, tillverkarens serviceombud eller liknande kvalificerad personal för att undvika fara. Kasta omgående gamla kablar eller stickkontakter som har ersatts med nya. Det är farligt att sticka in stickkontakten av en lös kabel i vägguttaget.

Användning av kabelförlängningar

Använd enbart godkända kabelförlängningar passande för maskinens ineffekt. Min. ledarestorlek är 1.5 mm². När du använder kabelrulle linda alltid av rullen helt.

2. MASKININFORMATION

Trädgårdspumpen är avsedd för privat bruk för bevattning av trädgårdar, den är inte avsedd för kommersiellt bruk. Explosiva, frätande eller brandfarliga ämnen, avlopp, saltvatten, fett och olja får inte transporteras av pumpen.

Det är enbart avsett för pumpning av rent vatten och regnvatten. Partikelstorlekarna på fasta ämnen

i vattnet får inte överstiga den maximala partikelstorlek som anges i tekniska data.

Denna pump är inte avsedd för kontinuerlig drift (t.ex. som en pool- eller dammcirkulationspump).

TEKNISKA SPECIFIKATIONER

Modell-nr	GP525AC	GP526AC
Pumphus	Plast	Rostfritt stål
Spänning	230 VAC / 50 Hz	
Ingångseffekt	800 W	1000 W
Max flödes hastighet (fig. B)	3300 l/h	3500 l/h
Max tryck	4 bar	4,4 bar
Max. pumphöjd (fig. B)	40 m	44 m
Max. självansugande sughöjd	8 m	
Max partikelstorlek	1 mm (rent vatten)	
Max vattentemperatur	35°C	
Skydd	IPX4	
Tryckanslutning	G1", innergånga	
Suganslutning	G1", innergånga	
Rekommenderad inre slang diameter (sugslang)	25 mm, 32 mm, 38 mm	
Kabellängd	1,2 m	
Vikt	5,5 kg	6,32 kg
Ljudtrycknivå L _{PA}	62,6 dB(A) K = 2,22 dB(A)	66,2 dB(A) K = 2,66 dB(A)
Ljudeffektnivå L _{WA}	74,5 dB(A) K = 2,22 dB(A)	78,1 dB(A) K = 2,66 dB(A)

BESKRIVNING

Siffrorna i texten hänvisar till diagrammen på sidorna 2-5.

1. Strömbrytare
2. Avtappningsplugg
3. Vatteninlopp
4. Fotventil/återflödeshämmare (ingår ej)
5. Påfyllningsplugg
6. Vattenutlopp

7. Bärhandtag
8. Sugslang (ingår ej)

3. MONTERING



Innan något arbete utförs på pumpen, dra ut stickkontakten ur vägguttaget.

Montering av handtaget (fig. C)

1. Sätt på det främre handtaget (7) på pumpen, som visas i figur C.
2. Montera handtaget (7) genom att dra åt de två skruvarna.

Installera pumpen (fig. E)

Pumpen ska installeras i ventilerad och torr miljö. Den kan installeras utomhus, förutsatt att den har ordentligt skydd för att förhindra regn och vind. Se till att pumpen är placerad på plan och fast mark. Sätt alltid trädgårdspumpen vid en punkt som är högre än vattenytan, som visas på figur E.

Montera sugslangen (fig. A, D, E)



Använd inga slanganslutningssystem eller vanliga vattenslangar på sugsidan! En sugslang (8) med lämplig koppling (G1" utvändig gänga) och fotventil (4) måste användas. Fotventilen (4) förhindrar returflöde av vattnet vid slutet av pumpprocessen.



En 25 mm, 32 mm eller 38 mm (innerdiameter) sugslang (8) måste användas för att uppnå maximal flödeshastighet.



Sugslangen (8) ska vara så kort som möjligt.

1. Fyll sugslangen (8) med rent kranvatten, som visas i figur D.
2. Applicera trådtätningstejp (teflontejp) på den gängade sugslangkopplingen.
3. Skruva in sugslangens koppling lufttätt i vattenloppet.
4. Fotventilen (4) måste placeras vertikalt och minst 30 cm från vattenbotten för att förhindra sugning av sand och stenar, som visas i figur E.

Montera utloppsslangen (fig. A)



Ju större slang och slanganslutningsdiameter, desto större flöde.



Ju lägre leveranshöjd, desto större flöde.

1. Bestäm vilken slangdiameter och slanganslutningssystemkopplingar du ska använda.
2. Applicera trådtätningstejp (teflontejp) på den valda gängade kopplingen.
3. Skruva in kopplingen (ingår inte) i vattenutloppet (6).
4. Anslut slangen (ingår inte) till kopplingen.
5. Kontrollera att slangen inte har några veck.

Fyll pumpen med vatten (fig. A, F)

1. Skruva av och ta bort påfyllningspluggen (5).
2. Fyll pumpen med rent kranvatten, som visas på figur F. Fyll inte på pumpen för mycket.
3. Sätt tillbaka påfyllningspluggen (5), dra inte för hårt.

4. DRIFT



Använd aldrig pumpen i en damm eller pool när någon är i vattnet!



Slå bara på strömmen igen med torra händer.



Kör aldrig denna pump innan pumpen och sugslangen (8) är fylld med vatten.



Rengör fotventilen (ingår inte) och förfiltret (ingår inte) med jämna mellanrum och kontrollera att de inte är skadade. I annat fall kan dess funktion försämrats.

Påslagning/avstängning (fig. A)

1. Kontrollera att strömbrytaren (1) är i läge "0" innan du ansluter maskinen till strömförsörjningen.
2. Flytta strömbrytaren (1) till läget "I" för att starta pumpen. När du startar pumpen kommer det att bli mycket luft i vattnet först. Det här är inte en defekt på din pump utan tjänar till att ta bort luft från pumpen. Det kan ta flera minuter för luften att släppas ut när pumpen sänks ner för första gången.
3. Flytta strömbrytaren (1) till läge "0" för att stänga av pumpen.

Avsluta (fig. A, G)



Rör inte pumpen om den inte har varit avstängd i minst 5 minuter.



Om det finns risk för frost eller om du inte använder din pump på länge, förvara din pump ordentligt.

1. Se till att strömbrytare (1) är i läge "0".
2. Ta ut nätkontakten från elnätet.
3. Skruva av och ta bort avtappningspluggen (2). Låt vattnet rinna ut.
4. Dra upp sugslangen (var medveten om att den är full med vatten).
5. Skruva loss sugslangen (8) från vatteninloppet (3).
6. Ta bort filtret och fotventilen (4), skölj sedan med rent vatten. Se till att det inte finns vatten kvar i sugslangen (8).
7. Ta bort vattenslagen från vattenutloppet (6). Skruva loss kopplingen från vattenutloppet (6).
8. Sätt tillbaka avtappningspluggen (2), dra inte för hårt.
9. Rengör och förvara enheten (se "Underhåll")

5. UNDERHÅLL



Stäng alltid av maskinen och ta ut strömkontakten från strömkällan innan rengöring och underhåll.

Rengör maskinens hus regelbundet med en mjuk trasa, helst efter varje gång du använder maskinen. Ta bort mycket ihållande smuts med en mjuk trasa fuktad med tvållösning. Använd inte lösningsmedel som bensin, alkohol, ammoniak osv. Sådana kemikalier skadar de syntetiska komponenterna.

Om apparaten verkar vara blockerad, koppla bort strömförsörjningen genom att ta ut kontakten ur eluttaget och kontrollera om det finns blockeringar i apparaten. Rengör sugslang, fotventil, förfilter och pump.

FÖRVARING OCH FROSTSKYDD

Trädgårdspumpen och tillbehör som inte är helt tömda kan förstöras av frost. Töm trädgårdspumpen och tillbehör helt och skydda dem mot frost.

Förvara apparaten i väl ventilerade torra lokaler med en temperatur som inte understiger + 5 °C.

När det inte används bör redskapet förvaras utom räckhåll för barn på en torr och säker plats med god ventilation.

FELSÖKNINGSGUIDE

Problem	Orsak	Åtgärd
Pumpen startar inte	Ingen strömförsörjning	Kontrollera nätspänningen
Pumpen är aktiv men inget vatten levereras (efter att ha körts i mer än 5 minuter)	Pumpen är inte helt fylld med vatten	Fyll på pumpen med vatten och kontrollera sugslangens fotventil
	Luft i sugslangen	Kontrollera tätningen av olika kopplingar i sugslangen
	Vattennivån är för låg	Justera pumpens installationshöjd (<8 m)
Otillräckligt tryck	Sugslang, fotventil, förfilter eller pump är blockerad	Rengör sugslang, fotventil, förfilter eller pump
	Fel pumptyp	Välj lämplig pump
	Sugslangen är för lång eller med för många böjningar, sugslangens diameter väljs inte efter behov	En 25 mm, 32 mm eller 38 mm (innerdiameter) sugslang måste användas för att uppnå maximal flödes hastighet. Gör sugslangen kortare
Pumpen startar inte eller stannar under användning.	Sugslang, fotventil, förfilter eller pump är blockerad	Rengör sugslang, fotventil, förfilter eller pump
	Utloppsslangen är felaktigt installerad	Kontrollera utloppsslangen och anslutningarna. Ju större slangens diameter och slanganslutning är, desto större flöde. Ju lägre leveranshöjd, desto större flöde.
	Termisk säkerhetsbrytare för överbelastning har aktiverats	Koppla från strömförsörjningen, låt stå i 5 minuter och rengör sugslangen, fotventilen, förfiltret eller pumpen
Pumpen stängs av efter korta driftperioder	Strömmen har gått	Kontrollera säkringar och elektriska anslutningar
	Vattnet är för varmt	Se till att vattentemperaturen inte har överskridit maximalt 35°C

MILJÖ



Felaktig och/eller kasserad elektrisk eller elektronisk utrustning måste lämnas in på lämpliga återvinningsstationer.

Endast för EU-länder

Släng inte elverktyg i hushållsavfallet. Enligt det europeiska WEEE-direktivet 2012/19/EU för avfall från elektrisk och elektronisk utrustning och dess tillämpning nationellt ska elverktyg som inte längre kan användas samlas in separat och kasseras på ett miljövänligt sätt.

GARANTI

VONROC produkter är utvecklade enligt högsta kvalitetsstandard och garanteras vara utan defekter både vad gäller material och tillverkning under den period som stipuleras enligt lag med början från ursprungligt inköpsdatum. Om något fel uppstår på produkten under denna period på grund av material- och/eller tillverkningsfel skall VONROC kontaktas direkt.

Följande omständigheter exkluderas från denna garanti:

- Reparationer eller ändringar som gjorts eller försökt göras på maskinen av ett icke auktoriserat servicecenter.
- Normalt slitage.
- Verktøget har missbrukats, använts fel eller underhållits på felaktigt sätt.
- Icke-originalreservdelar har använts.

Detta utgör hela garantin från företaget, antingen uttryckt eller underförstått. Det finns inga andra garantier, uttalande eller underförstådda som gäller utöver ordalydelsen härav, häri, inklusive de outtalade garantierna för säljbarhet och lämplighet för ett särskilt syfte. Under inga omständigheter skall VONROC hållas ansvarig för några oförutsedda eller indirekta skador. Återförsäljarens åtgärder skall begränsas till reparation eller byte av felaktiga enheter eller delar.

Med förbehåll för ändringar i produkten och bruksanvisningen. Specifikationer kan ändras utan förvarning.

1. SIKKERHEDSANVISNINGER

Læs de medfølgende sikkerhedsadvarsler, de supplerende sikkerhedsadvarsler og instruktionerne. Såfremt sikkerhedsadvarsler og instruktioner ikke følges, kan dette medføre elektriske stød, brand og/eller alvorlige ulykker. Gem alle sikkerhedsadvarsler og instruktioner til fremtidig reference.

Følgende symboler anvendes i denne brugermanual eller på produktet:



Læs brugermanualen.



Angiver risiko for personskade, dødsfald eller beskadigelse af værktøjet i tilfælde af manglende overholdelse af anvisningerne i denne vejledning.



Indikerer farer for elektrisk stød.



Beskyt apparatet mod frost.



Maks. dybde.



GP525AC: Det garanterede lydeffektniveau LWA = 81 dB(A)



GP526AC: Det garanterede lydeffektniveau LWA = 77 dB(A)



Kassér ikke produktet i en forkert container.



Produktet overholder de gældende sikkerhedsstandarder i de europæiske direktiver.

SIKKERHEDSBEMÆRKNINGER

DETTE APPARAT KAN ANVENDES AF BØRN PÅ 8 ÅR OG DEROVER SAMT AF PERSONER MED NEDSATTE FYSISKE, SENSORISKE ELLER MENTALE EVNER ELLER MANGLENDE ERFARING OG VIDEN, HVIS DE HOLDES UNDER OPSYN ELLER HAR FÅET VEJLEDNING I AT BRUGE APPARATET PÅ EN SIKKER MÅDE OG FORSTÅR DE DERMED FORBUNDNE RISICI. BØRN MÅ IKKE LEGE MED APPARATET. RENGØRING OG BRUGERVEDLIGEHOLDELSE MÅ IKKE UDFØRES AF BØRN UDEN OPSYN. HVIS FORSYNINGSLEDNINGEN ER BESKADIGET, SKAL DEN UDSKIFTES AF PRODUCENTEN, DENS SERVICEAGENT ELLER LIGNENDE KVALIFICERTE PERSONER FOR AT UNDGÅ FARER. STIKKET SKAL

TRÆKKES UD AF STIKKONTAKTEN INDEN RENGØRING ELLER VEDLIGEHOJDELSE AF APPARATET.

Læs disse anvisninger grundigt og omhyggeligt, inden du bruger dette apparat, og gem dem til fremtidig reference. Det er meget vigtigt, at du forstår, hvordan dette apparat bruges på en sikker måde, og du bør derfor afsætte tid til at sætte dig ind i kravene, som angivet i disse anvisninger.

- Hvis du har nogen form for tvivl vedrørende brugen af dette apparat, anbefaler vi kraftigt, at du får en person med de passende kvalifikationer til det.
- Den elektriske forbindelse skal beskyttes af en fejlstrømsafbryder (RCD) i stikkontakten med en nominal udkoblingsstrøm på 30 mA (maks.).
- Hold børn og kæledyr på god afstand af arbejdsområdet, og lad aldrig børn anvende dette apparat eller på noget som helst tidspunkt røre ved forlængerledningen. Når det ikke er i brug, skal dette apparat opbevares et sikkert sted uden for børns rækkevidde.
- Lad aldrig apparatet være uden opsyn, når det er i brug.
- Træk aldrig i apparatet ved at holde i strømledningen. Bær det ved hjælp af bærehåndtaget.
- Lad aldrig strømledningen ligge på eller over skarpe genstande, der kan gennembore den udvendige isolering. Udfør et visuelt eftersyn af strømledningen før brug, og hvis den er beskadiget, skal den udskiftes af et særligt servicecenter. Brug ikke apparatet, hvis ledningen er beskadiget.
- Hold strømledningen væk fra varme, frost, olie, opløsningsmidler og skarpe genstande eller kanter.
- Elektriske forbindelser, f.eks. forlængerledning, skal altid beskyttes mod fugt.
- Kontrollér, at mærkeeffekten på dit apparat stemmer overens med mærkeeffekten ved din netforsyning. Forsyningsspændingen skal være 230VAC.
- Kør aldrig dette apparat tørt/uden for vandet. Hvis apparatet bliver overophedet, slukker termosikringen det. Hvis dette sker, skal du vente 5 minutter, før du bruger apparatet igen.
- Tænd kun for strømmen igen med tørre hænder.
- Brug aldrig dette apparat i en dam eller swimmingpool, mens der er folk til stede i vandet!
- Brug ikke pumpen til drikkevand.
- Korrosive, brandfarlige eller eksplosive stoffer, fedt, olie, saltvand og spildevand må ikke transporteres af pumpen.

- Vandets pH-værdi skal være mellem 6,5 og 8,5.
- Den transporterede væskes temperatur må ikke overstige 35 °C.

Elektrisk sikkerhed

Når man anvender elektriske maskiner, skal de gældende lokale forskrifter altid følges for at reducere risikoen for brand, elektrisk stød og personskader. Læs sikkerhedsforskrifterne nedenfor.



Kontroller altid, at strømforsyningen svarer til den spænding, der er angivet på typeskiltet.

Tilslutning til strømforsyningen

Kontrollér, at strømforsyningen og stikket er i overensstemmelse med din maskine. Kig på mærkepladen på maskinen. Eventuelle ændringer skal altid udføres af en kvalificeret elektriker.



Advarsel! Denne maskine skal forbindes til jord. Hvis denne maskine ikke forbindes korrekt til jord, kan det forårsage et elektrisk stød. Sørg for, at strømforsyningskontakten er forbundet til jord. Hvis du er i tvivl, bør du få det undersøgt af en kvalificeret tekniker.



Advarsel! Undgå kontakt med terminalerne på stikket, når du sætter (fjerner) stikket i (fra) strømforsyningskontakten. Kontakt vil forårsage et alvorligt elektrisk stød.

Udskiftning af kabler og stik

Hvis forsyningsledningen er beskadiget, skal den udskiftes af producenten, dens serviceagent eller lignende kvalificerede personer for at undgå farer. Smid straks gamle kabler eller stik ud, når de er blevet erstattet af nye. Det er farligt at sætte stikket på et løst kabel i stikkontakten.

Brug af forlængerledninger

Brug kun godkendte forlængerledninger, som passer til maskinens indgangseffekt. Mindste ledertykkelse er 1,5 mm². Hvis der anvendes en kabeltromle, skal kablet altid rulles helt ud.

2. MASKINOPLYSNINGER

Havepumpen er beregnet til privat brug til vanding af haver, og den er ikke beregnet til kommerciel brug. Eksplosive, korrosive, brandfarlige stoffer, spildevand, saltvand, fedt og olie må ikke transporteres af pumpen.

Den er udelukkende beregnet til pumpning af rent vand og regnvand. Partikelstørrelserne af de faste stoffer i vandet må ikke overstige den maksimale partikelstørrelse, der er specificeret i de tekniske data.

Denne pumpe er ikke designet til kontinuerlig drift (f.eks. som cirkulationspumpe til dam eller swimmingpool).

TEKNISKE SPECIFIKATIONER

Model nr.	GP525AC	GP526AC
Pumpehus	Plastik	Rustfrit stål
Spænding	230 V AC / 50 Hz	
Indgangseffekt	800 W	1000 W
Maks. strømningshastighed (fig. B)	3300 l/t	3500 l/t
Maks. tryk	4 bar	4,4 bar
Maks. pumpehøjde (fig. B)	40 m	44 m
Maks. selvspændende sugehøjde	8 m	
Maks. partikelstørrelse	1 mm (rent vand)	
Maks. vandtemperatur	35°C	
Beskyttelse	IPX4	
Trykforbindelse	G1" indvendigt gevind	
Sugeforbindelse	G1" indvendigt gevind	
Anbefalet indvendig slangediameter (sugeslange)	25 mm, 32 mm, 38 mm	
Kabellængde	1,2 m	
Vægt	5,5kg	6,32kg
Lydtrykkniveau L_{PA}	62,6 dB(A) K = 2,22 dB(A)	66,2 dB(A) K = 2,66 dB(A)
Lydtrykeffekt L_{WA}	74,5 dB(A) K = 2,22 dB(A)	78,1 dB(A) K = 2,66 dB(A)

BESKRIVELSE

Tallene i teksten henviser til diagrammerne på side 2-5.

1. Tænd/sluk-kontakt
2. Drænprop
3. Vandindgang
4. Fodventil/tilbagestrømningsforebygger (medfølger ikke)
5. Fyldningsprop
6. Vandudgang
7. Bærehåndtag
8. Sugeslange (medfølger ikke)

3. MONTERING



Før du udfører arbejde på pumpen, skal du tage netstikket ud af strømforsyningen.

Montering af håndtaget (fig. C)

1. Sæt håndtaget (7) på pumpen, som vist på figur C.
2. Monter håndtaget (7) ved at stramme de to skruer.

Installation af pumpen (fig. E)

Pumpen bør installeres i et ventileret og tørt miljø. Den kan installeres udenfor, forudsat at den har passende dækning for at forhindre regn og vind. Sørg for, at pumpen er placeret på et vandret og stabilt underlag. Opsæt altid havepumpen på et højere punkt end vandoverfladen, som vist på figur E.

Fastgørelse af sugeslangen (fig. A, D, E)



Brug ikke systemfittings til slangeforbindelser eller standard vandslanger på sugeslanger! Der skal anvendes et sugeslangesæt (8) med passende kobling (G1" eksternt gevind) og fodventil (4). Fodventilen (4) forhindrer, at vandet strømmer tilbage ved afslutningen af pumpeprocessen.



25 mm, 32 mm eller 38 mm (indvendig diameter) sugeslange (8) skal anvendes for at opnå maksimal strømningshastighed.



Sugeslangen (8) bør være så kort som muligt.

1. Fyld sugeslangen (8) med rent vand fra hanen, som vist på figur D.
2. Påfør gevindforseglingstape (Teflon-tape) på

den gevindskårne sugeslangekobling.

3. Skru sugeslangekoblingen lufttæt ind i vandindgangen.
4. Fodventilen (4) skal placeres lodret og mindst 30 cm fra vandbunden for at forhindre opsugning af sand og sten, som vist på figur E.

Fastgørelse af udgangsslangen (fig. A)



Jo større slange og slangekonnektordiametre, des større strømning.



Jo lavere leveringshøjde, des større strømning.

1. Beslut hvilken slangediameter og hvilke systemfittings til slangeforbindelser, du skal bruge.
2. Påfør gevindforseglingstape (Teflon-tape) på den valgte gevindskårne kobling.
3. Skru koblingen (medfølger ikke) ind i vandudgangen (6).
4. Slut slangen (medfølger ikke) til koblingen.
5. Kontrollér, at slangen ikke har nogen knæk.

Fyldning af pumpen med vand (fig. A, F)

1. Løsn og fjern fyldningsproppen (5).
2. Fyld pumpen med rent vand fra hanen, som vist på figur F. Overfyld ikke pumpen.
3. Sæt fyldningsproppen (5) på plads, og stram den ikke for meget.

4. BETJENING



Brug aldrig denne pumpe i en dam eller swimmingpool, mens der er folk til stede i vandet!



Tænd eller sluk kun for strømmen med tørre hænder.



Kør aldrig denne pumpe, før pumpen og sugeslangen (8) er fyldt med vand.



Rengør fodventilen (medfølger ikke) og forfilteret (medfølger ikke) med jævne mellemrum, og kontroller, om den er beskadiget. Ellers kan dens funktion blive forringet.

Tænd/sluk (fig. A)

1. Kontrollér, at tænd/sluk-kontakten (1) står i positionen '0' inden du forbinder pumpen til strømforsyningen.
2. Flyt tænd/sluk-kontakten (1) til positionen 'I' for at tænde pumpen. Når du starter pumpen, er der først en masse luft i vandet. Dette er ikke en fejl i din pumpe, men har til hensigt at fjerne luft fra pumpen. Det kan tage adskillige minutter, før luften slipper ud, når pumpen nedsænkes for første gang.
3. Flyt tænd/sluk-kontakten (1) til positionen '0' for at slukke pumpen.

Afslut drift (fig. A, G)



Rør ikke ved pumpen, medmindre den har været afbrudt i mindst 5 minutter.



Hvis der er risiko for frost, eller hvis du ikke bruger din pumpe i lang tid, skal du opbevare din pumpe korrekt.

1. Kontrollér, at tænd/sluk-kontakten (1) er i positionen '0'.
2. Tag netstikket ud af kontakten.
3. Løsn og fjern drænproppen (2). Lad vandet blive drænet.
4. Træk sugeslangen op (vær opmærksom på, at den er fuld af vand).
5. Løsn sugeslangen (8) fra vandindgangen (3).
6. Fjern filteret og fodventilen (4), og skyl derefter med rent vand. Sørg for, at der ikke er vand tilbage i sugeslangen (8).
7. Fjern vandslangen fra vandudgangen (6). Løsn koblingen fra vandudgangen (6).
8. Sæt drænproppen (2) på plads, og stram den ikke for meget.
9. Rengør enheden og stil den til opbevaring (se 'Vedligeholdelse')

5. VEDLIGEHOLDELSE



Før rengøring og vedligeholdelse skal du altid slukke for maskinen og trække netstikket ud af kontakten.

Rengør maskinbeklædningerne regelmæssigt med en blød klud, helst efter hver anvendelse. Fjern snavs, der sidder meget godt fast, med en blød klud, der er fugtet i sæbevand. Brug ikke opløsningsmidler, som f.eks. benzin, sprit, ammoniak osv. Kemikalier som disse beskadiger de syntetiske komponenter.

Hvis apparatet lader til at være blokeret, skal du slukke for strømmen, tage stikket ud af kontakten og se apparatet efter for blokeringer. Rengør sugeslangen, fodventilen, forfilteret og pumpen.

OPBEVARING OG FROSTBESKYTTELSE

Havepumpen og tilbehør, der ikke drænes helt, kan blive ødelagt af frost. Dræn havepumpen og tilbehøret fuldstændigt, og beskyt dem mod frost. Opbevar dette apparat på et tørt sted med god udluftning og en temperatur, der ikke kommer ned under +5 °C.

Når det ikke er i brug, skal dette apparat opbevares et sikkert sted uden for børns rækkevidde.

VEJLEDNING TIL FEJLFINDING

Problem	Årsag	Løsning
Pumpe starter ikke	Ingen netforsyning	Kontrollér netforsyning
Pumpen er aktiv, men der leveres ikke vand (efter den er blevet startet i mere end 5 minutter)	Pumpen er ikke helt fyldt med vand	Fyld igen pumpen med vand, og kontrollér sugeslangens fodventil
	Luft i sugeslangen	Kontrollér forsejlingen af sugeslangens forskellige forbindelser
	Vandniveauet er for lavt	Juster pumpens installationshøjde (< 8 m)
	Sugeslangen, fodventilen, forfilteret eller pumpen er blokeret	Rengør sugeslangen, fodventilen, forfilteret eller pumpen

Utilstrækkeligt tryk	Utilstrækkelig pumpetype Sugeslangen er for lang eller med for mange bøjninger, eller den rette sugeslangediameter er ikke valgt	Vælg en passende pumpe 25 mm, 32 mm eller 38 mm (indvendig diameter) sugeslange skal anvendes for at opnå maksimal strømningshastighed. Gør sugeslangen kortere
	Sugeslangen, fodventilen, forfilteret eller pumpen er blokeret	Rengør sugeslangen, fodventilen, forfilteret eller pumpen
	Udgangsslangen er forkeret eller forkeret installeret	Kontrollér udgangsslangen og forbindelserne. Jo større slangediameter og slangeforbindelser, des større strømning. Jo lavere leveringshøjde, des større strømning.
Pumpe starter eller stopper ikke under brug.	Sikkerhedsafbryder til termisk overbelastning er aktiveret	Afbryd strømforstyrrelsen, lad den stå i 5 minutter, og rengør sugeslangen, fodventilen, forfilteret eller pumpen
Pumpe slukket efter korte driftsperioder	Strømmen er gået Vandet er for varmt	Kontrollér sikringer og el-forbindelser Sørg for, at vandtemperaturen ikke har overskredet den maksimale på 35°C

MILJØ



Defekte og/eller bortskaffede elektriske og elektroniske apparater skal afleveres på en passende genbrugsstation.

Kun for EU-lande

Smid ikke el-værktøjer ud sammen med almindeligt affald. I henhold til de europæiske direktiver 2012/19/EU for elektrisk og elektronisk udstyr og er implementeret i henhold til nationale rettigheder, el-værktøj som ikke længere er anvendelig skal indsamles separat og genbruges på en miljøvenlig måde.

GARANTI

VONROC produkter er udviklet efter de højeste kvalitetsstandarder og er garanteret fri for mangler i såvel materialer som udførelse i den lovpligtige periode, der starter fra datoen for det oprindelige køb. Skulle produktet udvikle nogen fejl i løbet af denne periode på grund af defekte materialer og/eller fabrikationsfejl, så kontakt VONROC direkte.

De følgende forhold er udelukket fra denne garanti:

- Reparationer og eller rettelser er blevet foretaget eller forsøgt foretaget på maskinen af uautoriserede servicecentre.
- Normal slitage.
- Værktøjet har været misligholdt, misbrugt eller vedligeholdt forkert.
- Ikke originale reservedele er blevet anvendt.

Dette udgør den eneste garanti fra virks omheden enten udtrykt eller underforstået. Der er ingen andre garantier udtrykt eller underforstået, som strækker sig ud over forsiden heraf, heri, herunder underforståede garantier for salgbarhed og egnethed til et bestemt formål. VONROC vil under ingen omstændigheder være ansvarlig for hændelige skader eller følgeskader. Forhandlernes afhjælpningsmidler vil være begrænsede til reparation eller udskitning af fejlbehæftede enheder eller dele.

Produktet og brugermanualen kan ændres. Specifikationerne kan ændres uden forudgående varsel.

1. INSTRUKCJE BEZPIECZEŃSTWA

Przeczytać dołączone ostrzeżenia dotyczące bezpieczeństwa, dodatkowe ostrzeżenia dotyczące bezpieczeństwa oraz instrukcję. Nieprzestrzeganie ostrzeżeń dotyczących bezpieczeństwa oraz instrukcji może prowadzić do porażenia prądem, pożaru i/lub poważnych obrażeń ciała. Zachować ostrzeżenia dotyczące bezpieczeństwa oraz instrukcje na przyszłość.

Następujące symbole są umieszczone w instrukcji obsługi lub na produkcie:



Przeczytać instrukcję obsługi.



Oznacza ryzyko obrażeń ciała, śmierci lub uszkodzenia narzędzia w razie nieprzestrzegania poleceń z instrukcji.



Wskazuje na niebezpieczeństwo porażenia prądem elektrycznym.



Urządzenie chronić przed mrozem.



Maksymalna głębokość.



GP525AC: Gwarantowany poziom mocy akustycznej LWA = 77 dB(A)



GP526AC: Gwarantowany poziom mocy akustycznej LWA = 81 dB(A)



Nie wyrzucac produktu do nieodpowiednich pojemników.



Produkt spełnia wymogi odpowiednich norm bezpieczeństwa podanych w dyrektywach UE.

UWAGI DOTYCZĄCE BEZPIECZEŃSTWA

TO URZĄDZENIE MOŻE BYĆ UŻYWANE PRZEZ DZIECI W WIEKU OD 8 LAT I OSOBY Z OGRANICZONYMI ZDOLNOŚCIAMI FIZYCZNYMI, CZUCIOWYMI LUB UMYSŁOWYMI LUB NIEPOSIADAJĄCE DOŚWIADCZENIA I WIEDZY, JEŚLI ZNAJDUJĄ SIĘ ONE POD NADZOREM LUB ZOSTAŁY PRZESZKOLONE Z BEZPIECZNEGO UŻYTKOWANIA URZĄDZENIA I ROZUMIEJĄ ZWIĄZANE Z TYM ZAGROŻENIA. DZIECIOM NIE WOLNO POZWAŁAĆ BAWIĆ SIĘ URZĄDZENIEM. DZIECIOM BEZ NADZORU NIE WOLNO PRZEPROWADZAĆ CZYSZCZENIA.

NIA I KONSERWACJI URZĄDZENIA. JEŚLI PRZEWÓD ZASILANIA JEST USZKODZONY, MUSI GO WYMIENIĆ PRODUCENT, JEGO PRZEDSTAWICIEL SERWISOWY LUB PODOBNI, ODPOWIEDNIO WYKWALIFIKOWANA OSOBA, ABY UNIKNĄĆ ZAGROŻENIA. WTYCZKĘ NALEŻY WYJĄĆ Z GNIAZDKA PRZED ROZPOCZĘCIEM CZYSZCZENIA URZĄDZENIA LUB CZYNNOŚCI KONSERWACYJNYCH DOTYCZĄCYCH URZĄDZENIA.

Proszę uważnie przeczytać niniejszą instrukcję przed rozpoczęciem korzystania z tego urządzenia i zachować ją na przyszłość. Bardzo ważne jest zrozumienie bezpiecznego sposobu obsługi tego urządzenia, dlatego proszę poświęcić czas na zapoznanie się z wymogami opisanymi w tej instrukcji.

- W przypadku jakichkolwiek wątpliwości dotyczących obsługi urządzenia zalecamy skorzystanie z pomocy odpowiednio wykwalifikowanej osoby.
- Połączenie elektryczne musi być chronione wyłącznikiem różnicowoprądowym dla gniazda zasilania o znamionowym natężeniu uruchamiającym wynoszącym 30 mA (maks.).
- Nie pozwalać dzieciom i zwierzętom na zbliżanie się do miejsca pracy i nigdy nie pozwalać dzieciom na obsługiwanie tego urządzenia lub dotykaniu przedłużacza. Kiedy urządzenie nie jest używane, przechowywać je poza zasięgiem dzieci.
- Przewód zasilający nie może leżeć na ostrych przedmiotach, które mogą przebić zewnętrzną izolację. Przed użyciem przewodu zasilającego i w przypadku jego uszkodzenia należy skontrolować przewód zasilający i w razie potrzeby poprosić o jego wymianę w specjalistycznym serwisie. Nie używać urządzenia, jeśli przewód jest uszkodzony.
- Chronić przewód zasilający przed gorącem, mrozem, olejami, rozpuszczalnikami i wszelkimi ostrymi krawędziami lub przedmiotami.
- Połączenia i przewody elektryczne, jak przedłużacz, należy stale chronić przed wilgocią.
- Sprawdzić, czy parametry zasilania podane na urządzeniu są zgodne z parametrami zasilania sieciowego. Napięcie zasilania musi wynosić 230VAC.
- Nigdy nie uruchamiać tego urządzenia na sucho, czyli niezanurzonego w wodzie. Jeśli urządzenie się przegrzeje, wyłącznik termiczny je wyłączy. Jeśli tak się stanie, odczekać 5 minut przed ponownym użyciem urządzenia.
- Włączać zasilanie z powrotem tylko suchymi rękami.

- Nigdy nie używać tego urządzenia w stawie lub basenie, w którym znajdują się ludzie!
- Nie używać pompy do wody pitnej.
- Przy pomocy tej pompy nie wolno pompować substancji żrących, łatwopalnych ani wybuchowych, smarów, olejów, słonej wody ani ścieków.
- Wartość pH wody musi mieścić się w zakresie od 6,5 do 8,5.
- Temperatura pompowanej cieczy nie może przekraczać 35°C.

Bezpieczeństwo elektryczne

Pod czas wykorzystania urządzenia elektrycznego należy zawsze przestrzegać odpowiednie przepisy bezpieczeństwa, które są ważne w Waszym kraju w celu zmniejszenia ryzyka pożaru, porażenia prądem elektrycznym oraz zranienia personelu.



Sprawdzić, czy napięcie sieciowe jest zgodne z parametrami na tabliczce znamionowej.

Podłączanie do zasilania

Dopilnować, aby zasilanie i wtyczka były zgodne z urządzeniem. Zapoznać się z tabliczką znamionową umieszczoną na urządzeniu. Wszelkie modyfikacje może przeprowadzać wyłącznie wykwalifikowany elektryk.



Ostrzeżenie! To urządzenie musi być uziemione. Jeśli nie będzie prawidłowo uziemione, to urządzenie może spowodować porażenie prądem. Dopilnować, aby gniazdo zasilania było uziemione. W razie wątpliwości zlecić kontrolę wykwalifikowanemu elektrykowi.



Ostrzeżenie! Unikać dotykania bolców wtyczki podczas wkładania (wyjmowania) wtyczki do (z) gniazda zasilania. Dotknięcie spowoduje silne porażenie prądem.

Wymiana przewodów lub wtyczek

Jeśli przewód sieciowy zostanie uszkodzony, należy go wymienić na specjalny przewód sieciowy dostępny u producenta lub w jego dziale obsługi klienta. Wyrzucić stare przewody i wtyczki zaraz po ich wymianie na nowe. Niebezpieczne jest wkładanie do gniazda wtyczki przewodu, który nie jest podłączony do urządzenia.

W przypadku zastosowania przedłużaczy

Należy stosować odpowiednie przedłużacze przystosowane do mocy urządzenia. Żyłę takiego kabla muszą mieć minimalny przekrój 1,5 mm². Jeśli kabel przedłużający jest nawinięty na bęben, należy go całkowicie rozwinąć.

2. INFORMACJE O MASZYNIE

Ta pompa ogrodowa jest przeznaczona do użytku prywatnego w celu nawadniania ogrodów i nie jest przeznaczona do użytku komercyjnego. Przy pomocy tej pompy nie wolno pompować substancji żrących, łatwopalnych ani wybuchowych, smarów, olejów, słonej wody ani ścieków.

Pompa jest przeznaczona wyłącznie do pompowania wody czystej i deszczowej. Rozmiar cząstek stałych w wodzie nie może przekraczać maksymalnego rozmiaru cząstek podanego w danych technicznych.

Ta pompa nie jest przeznaczona do pracy ciągłej (np. jako pompa obiegowa w basenie lub stawie).

DANE TECHNICZNE

Nr modelu	GP525AC	GP526AC
Obudowa pompy	Tworzywo sztuczne	Stal nierdzewna
Napięcie	Prąd zmienny 230 V/50 Hz	
Moc wejściowa	800 W	1000 W
Maks. przepływ wody (rys. B)	3300 l/h	3500 l/h
Maks. ciśnienie	4 bary	4,4 bara
Maks. wysokość pompowania (rys. B)	40 m	44 m
Maksymalna wysokość ssania do automatycznego napełnienia wstępnego	8 m	
Maks. rozmiar cząstki	1 mm (czysta woda)	
Maks. temperatura wody	35°C	
Ochrona	IPX4	
Złącze ciśnieniowe	Gwint wewnętrzny G1"	
Złącze ssawne	Gwint wewnętrzny G1"	

Zalecana wewnętrzna średnica węża (wąż ssawny)	25 mm, 32 mm, 38 mm	
Długość kabla	1,2 m	
Ciężar	5,5 kg	6,32 kg
Poziom ciśnienia akustycznego L _{PA}	62,6 dB(A) K = 2,22 dB(A)	66,2 dB(A) K = 2,66 dB(A)
Poziom mocy akustycznej L _{WA}	74,5 dB(A) K = 2,22 dB(A)	78,1 dB(A) K = 2,66 dB(A)

OPIS

Liczbę w tekście odnoszą się do rysunków na stronach 2-5.

1. Włącznik
2. Korek spustowy
3. Dopływ wody
4. Zawór stopowy/zapobiegający przepływowi wstępnemu (nie dołączony)
5. Korek napełniania
6. Odpływ wody
7. Rączka do przenoszenia
8. Wąż ssawny (nie dołączony)

3. MONTAŻ

Przed rozpoczęciem wykonywania jakichkolwiek prac dotyczących pompy, odłączyć wtyczkę zasilania od gniazda zasilania.

Montaż uchwytu (rys. C)

1. Założyć uchwyt (7) na pompę zgodnie z rysunkiem C.
2. Przymocować uchwyt (7), dokręcając dwie śruby.

Instalacja pompy (rys. E)

Pompę należy zainstalować w suchym otoczeniu z wentylacją. Pompę można zainstalować na wolnym powietrzu, pod warunkiem zapewnienia odpowiedniej osłony przed deszczem i wiatrem. Dopilnować, aby pompa została ustawiona na poziomym i stabilnym podłożu. Zawsze instalować pompę ogrodową w miejscu powyżej powierzchni wody zgodnie z rysunkiem E.

Podłączanie węża ssawnego (rys. A, D, E)

Nie używać żadnych złączy systemu podłączania węży ani standardowych węży do wody po stronie ssania! Należy zastosować wąż ssawny (8) wyposażony w odpowiednią złączkę (gwint zewnętrzny G1") oraz zawór stopowy (4). Zawór stopowy (4) zapobiega przepływowi wstęcznemu podczas kończenia pompowania.



W celu uzyskania maksymalnego przepływu użyć węża ssawnego (8) o średnicy wewnętrznej 25 mm, 32 mm lub 38 mm.



Wąż ssawny (8) powinien być jak najkrótszy.

1. Napełnić wąż ssawny (8) czystą wodą z kranu zgodnie z rysunkiem D.
2. Nakleić taśmę do uszczelniania gwintów (zawierającą Teflon) na złączkę gwintowaną węża ssawnego.
3. Wkręcić złączkę węża ssawnego w dopływ wody, aby uzyskać szczelne połączenie.
4. Zawór stopowy (4) należy umieścić pionowo i co najmniej 30 cm od dna zbiornika z wodą, aby zapobiegać zasysaniu piasku i kamieni, zgodnie z rysunkiem E.

Podłączanie węża odpływu (rys. A)

Im większa średnica węża i złącza węża, tym większy przepływ.



Im mniejsza wysokość pompowania, tym większy przepływ.

1. Wybrać średnicę węża oraz złączki systemu podłączania węża do użycia.
2. Nakleić taśmę do uszczelniania gwintów (zawierającą Teflon) na wybraną złączkę gwintowaną.
3. Wkręcić złączkę (nie dołączona) w odpływ wody (6).
4. Podłączyć wąż (nie dołączony) do złączki.
5. Sprawdzić, czy wąż nie jest zgięty.

Napełnianie pompy wodą (rys. A, F)

1. Wykręcić i zdjąć korek napełniania (5).
2. Napełnić pompę czystą wodą z kranu zgodnie z rysunkiem F. Nie przepelniać pompy.
3. Wkręcić korek napełniania (5) na miejsce. Nie dokręcać za mocno.

4. OBSŁUGA

Nigdy nie używać pompy w stawie lub basenie, w którym znajdują się ludzie!



Włączać i wyłączać zasilanie tylko suchymi rękami.



Nigdy nie uruchamiać tej pompy przed napełnieniem pompy i węża ssawnego (8) wodą.



Regularnie czyścić zawór stopowy (nie dołączony) i filtr wstępny (nie dołączony) i sprawdzać je pod kątem uszkodzeń. W przeciwnym razie mogą nie działać prawidłowo.

Włączanie/wyłączanie (rys. A)

1. Sprawdzić, czy włącznik (1) znajduje się w położeniu „0” przed podłączeniem pompy do zasilania.
2. Przetawić włącznik (1) w położenie „I”, aby włączyć pompę. Po uruchomieniu pompy początkowo w wodzie będzie znajdować się dużo powietrza. Nie oznacza to usterki pompy, tylko wskazuje na usuwanie z niej powietrza. Przy pierwszym zanurzeniu pompy usunięcie powietrza może potrwać kilka minut.
3. Przetawić włącznik (1) w położenie „0”, aby wyłączyć pompę.

Kończenie pracy (rys. A, G)

Nie dotykać pompy, jeśli od odłączenia od niej zasilania minęło mniej niż co najmniej 5 minut.



Jeśli istnieje ryzyko występowania przymrozków lub w przypadku długiego nieużywania pompy należy ją przechowywać w odpowiednim miejscu.

1. Dopilnować, aby włącznik (1) znajdował się w położeniu „0”.
2. Wyjąć wtyczkę zasilania z gniazdka sieciowego.
3. Wykręcić i zdjąć korek spustowy (2). Poczekać, aż woda spłynie.
4. Pociągnąć wąż ssawny do góry (pamiętać, że jest napełniony wodą).
5. Wykręcić wąż ssawny (8) z dopływu wody (3).
6. Zdemontować filtr i zawór stopowy (4), a

- następnie przepłukać czystą wodą. Dopilnować, aby w węży ssawnym nie pozostała woda (8).
7. Odłączyć wąż ssawny od odpływu wody (6). Wykręcić złączkę z odpływu wody (6).
 8. Wkręcić korek spustowy (2) na miejsce. Nie dokręcać za mocno.
 9. Oczyszczyć i schować urządzenie (patrz „Konservacja”)

5. KONSERWACJA



Przed rozpoczęciem czyszczenia i konserwacji zawsze wyłączać maszynę i wyjmować wtyczkę zasilania sieciowego z gniazdka.

Czyścić obudowę urządzenia regularnie miękką ściereczką, najlepiej po każdym użyciu. Usuwać odporne zabrudzenia miękką ściereczką zwilżoną mydlinami. Nie używać żadnych rozpuszczalników, takich jak benzyna, alkohol, amoniak itp. Takie substancje chemiczne spowodują uszkodzenie części z tworzyw sztucznych.

Jeśli wydaje się, że urządzenie jest zablokowane, wyłączyć zasilanie sieciowe, wyjąć wtyczkę z gniazdka i sprawdzić urządzenie pod kątem zatorów. Oczyszczyć wąż ssawny, zawór stopowy, filtr wstępny i pompę.

PRZECHOWYWANIE I OCHRONA PRZED ZAMARZANIEM

Jeśli w pompie ogrodowej i jej akcesoriach zostanie woda, mogą one zostać uszkodzone, gdy woda zamrze. Całkowicie opróżnić pompę ogrodową i jej akcesoria z wody i chronić je przed zamarzaniem. Przechowywać to urządzenie w dobrze wentylowanym i suchym miejscu w temperaturze nie niższej niż +5°C.

Kiedy urządzenie nie jest używane, przechowywać je poza zasięgiem dzieci.

ROZWIĄZYWANIE PROBLEMÓW

Problem	Przyczyna	Rozwiązanie
Pompa nie uruchamia się	Brak zasilania sieciowego	Sprawdzić zasilanie sieciowe
Pompa pracuje, ale nie dostarcza wody (po upływie ponad 5 minut od uruchomienia)	Pompa nie jest całkowicie napełniona wodą	Ponownie napełnić pompę wodą i sprawdzić zawór stopowy i wąż ssawny
	Powietrze w węży ssawnym	Sprawdzić szczelność różnych złączy węża ssawnego
	Poziom wody jest za niski	Dostosować wysokość instalacji pompy (< 8 m)
Niewystarczające ciśnienie	Zator w węży ssawnym, zaworze stopowym, filtrze wstępnym lub pompie	Oczyszczyć wąż ssawny, zawór stopowy, filtr wstępny lub pompę
	Błędny typ pompy	Wybrać odpowiednią pompę
	Wąż ssawny jest za długi lub ma za wiele zgięć lub nie dobrano właściwej średnicy węża ssawnego	W celu uzyskania maksymalnego przepływu użyć węża ssawnego o średnicy wewnętrznej 25 mm, 32 mm lub 38 mm. Skrócić wąż ssawny
Wąż odpływu jest nieprawidłowy lub nieprawidłowo zainstalowany	Zator w węży ssawnym, zaworze stopowym, filtrze wstępnym lub pompie	Oczyszczyć wąż ssawny, zawór stopowy, filtr wstępny lub pompę
		Sprawdzić wąż odpływu i jego połączenia. Im większa średnica węża i złączki węża, tym większy przepływ. Im mniejsza wysokość pompowania, tym większy przepływ.

Pompa nie uruchamia się lub zatrzymuje podczas pracy.	Włączył się wyłącznik termiczny chroniący przed przeciążeniem	Odłączyć od zasilania, pozostawić na 5 minut, po czym oczyścić wąż ssawny, zawór stopowy, filtr wstępny lub pompę
Pompa wyłączona po krótkim czasie pracy	Zasilanie zostało wyłączone Zbyt ciepła woda	Sprawdzić bezpieczniki i połączenia elektryczne Dopilnować, aby temperatura wody nie przekraczała maksymalnego poziomu 35 st. C

- czeniem, źle z nim się obchodzono lub było nieprawidłowo konserwowane;
- Użyto części zamiennych innych niż oryginalne.

Niniejsza gwarancja to wyłączna gwarancja producenta i nie obowiązują żadne inne wyrażone ani dorozumiane gwarancje. Nie obowiązują żadne inne wyrażone ani dorozumiane gwarancje o zakresie przekraczającym niniejszą gwarancję, co obejmuje dorozumiane gwarancje przydatności do sprzedaży i przydatności do określonego celu. W żadnym przypadku firma VONROC nie ponosi odpowiedzialności za straty przypadkowe lub wynikowe. Zadośćuczynienie sprzedawcy jest ograniczone do naprawy lub wymiany niezgodnych urządzeń lub części.

ŚRODOWISKO



Uszkodzone i/lub niepotrzebne urządzenia elektryczne lub elektroniczne podlegają zbiórce w odpowiednich punktach recyklingu.

Tylko kraje WE

Nie wyrzucać elektronarzędzi wraz z odpadami z gospodarstw domowych. Zgodnie z dyrektywą 2012/19/WE dotyczącą zużytych urządzeń elektrycznych i elektronicznych oraz jej wdrożeniem do prawodawstwa krajowego, elektronarzędzia, które już nie nadają się do użytku, podlegają oddzielnej zbiórce oraz utylizacji w sposób przyjazny dla środowiska.

GWARANCJA

Produkty VONROC są wytwarzane zgodnie z najwyższymi standardami jakości i producent udziela gwarancji na wady materiałowe i wady wykonania na okres wymagany prawem, licząc od dnia zakupu. Jeśli wystąpi usterka produktu w tym okresie spowodowana wadą materiałową i/lub wadą wykonania, proszę bezpośrednio skontaktować się ze sprzedawcą VONROC.

Następujące okoliczności powodują unieważnienie gwarancji:

- Przeprowadzono naprawy lub modyfikacje narzędzia w serwisie innym lub autoryzowany lub podjęto ich próbę;
- Normalne zużycie nie jest objęte gwarancją;
- Narzędzie było używane niezgodnie z przeznaczeniem,

Produkt i instrukcja obsługi podlegają zmianom. Dane techniczne podlegają zmianom bez uprzedzenia.

1. INSTRUCȚIUNI DE SIGURANȚĂ

Citiți avertizările de siguranță, avertizările de siguranță suplimentare și instrucțiunile. Nerespectarea avertizărilor de siguranță poate cauza producerea de electrocutări, incendii și/sau răni grave. Păstrați avertizările de siguranță și instrucțiunile pentru referințe viitoare.

În manualul de utilizare sau pe produs se utilizează următoarele simboluri:



Citiți manualul de utilizare.



Indică riscul de rănire personală, pierderea vieții sau deteriorarea sculei în cazul în care nu se respectă instrucțiunile din acest manual.



Indica riscul electrocutării.



Protejați aparatul împotriva înghețului.



Adâncime max.



GP525AC: Nivelul de putere sonoră garantat LWA = 77 dB(A)



GP526AC: Nivelul de putere sonoră garantat LWA = 81 dB(A)



Nu scoateți din uz produsul în containere neadecvate.



Produsul este în conformitate cu standardele de siguranță aplicabile din directivele europene.

NOTE DE SIGURANȚĂ

ACEST APARAT POATE FI UTILIZAT DE COPIII CU VÂRSTA DE PESTE 8 ANI ȘI DE CĂTRE PERSOANE CU CAPACITĂȚI FIZICE, SENZORIALE SAU MENTALE REDUSE SAU DE CĂTRE PERSOANE LIPSITE DE EXPERIENȚĂ ȘI CUNOȘTINȚE DACĂ ACESTEA AU FOST SUPRAVEGHEATE ȘI INSTRUITE CU PRIVIRE LA UTILIZAREA APARATULUI ÎN CONDIȚII DE SIGURANȚĂ ȘI ÎNȚELEG RISCURILE PE CARE LE IMPLICĂ. COPII NU AU VOIE SĂ SE JOACE CU APARATUL. CURĂȚAREA ȘI OPERAȚIUNILE DE ÎNTREȚINERE NU TREBUIE EFECTUATE DE COPII FĂRĂ SUPRAVEGHERE. ÎN CAZUL ÎN CARE CABLUL DE ALIMENTARE ESTE DETERIORAT, ACESTA TREBUIE ÎN-

LOCUIT DE CĂTRE PRODUCĂTOR, DE CĂTRE AGENTUL DE SERVICE SAU DE CĂTRE PERSOANE CALIFICATE ÎN MOD SIMILAR, PENTRU A EVITA PERICOLELE. ÎNAINTE DE CURĂȚAREA SAU ÎNTREȚINEREA ACESTUI APARAT, ȘTECHERUL TREBUIE SCOS DIN PRIZĂ.

Vă rugăm să citiți cu atenție și în întregime aceste instrucțiuni înainte de a utiliza acest aparat și păstrați-le pentru consultarea ulterioară. Este foarte important să înțelegeți cum să utilizați acest aparat în condiții de siguranță, așa că vă rog să vă familiarizați cu cerințele prezentate în aceste instrucțiuni.

- Dacă aveți îndoieli cu privire la utilizarea acestui aparat, vă recomandăm să utilizați serviciile unei persoane cu calificarea corespunzătoare.
- Conexiunea electrică trebuie protejată de un dispozitiv de curent rezidual (RCD) la priza de alimentare cu un curent nominal de declanșare de 30mA (max).
- Țineți copiii și animalele de companie departe de zona de lucru și nu permiteți niciodată copiilor să folosească acest aparat sau să atingă cablul prelungitor în orice moment. Atunci când nu este folosit, aparatul trebuie să fie depozitat într-un spațiu ferit de accesul copiilor.
- Nu lăsați niciodată aparatul nesupravegheat când îl folosiți.
- Nu trageți niciodată aparatul de cablul de alimentare. Transportați-l folosind mânerul de transport.
- Nu lăsați cablul de alimentare să se fie dispus peste obiecte ascuțite care ar putea străpunge izolația exterioară. Efectuați o verificare vizuală a cablului de alimentare înainte de utilizare și, dacă este deteriorat, înlocuiți-l cu un centru de service specializat. Nu utilizați aparatul în cazul în care cablurile sunt deteriorate sau uzate.
- Păstrați cablul de alimentare ferit de căldură, îngheț, ulei, solvenți sau orice obiecte sau suprafețe cu margini ascuțite.
- Conexiunile electrice, de ex. Cablul prelungitor, trebuie protejate în permanență față de umezală.
- Verificați dacă tensiunea nominală a aparatului dvs. corespunde cu tensiunea nominală de la rețeaua de alimentare. Tensiunea de alimentare trebuie să fie de 230VAC.
- Niciodată nu lăsați aparatul funcționeze uscat - în afara apei. Dacă aparatul se supraîncălzește, întrerupătorul termic îl va opri. Dacă se întâmplă acest lucru, așteptați 5 minute înainte de a

utiliza aparatul din nou.

- Reporniți alimentarea doar cu mâinile uscate.
- Nu folosiți niciodată acest aparat într-un lac sau piscină în timp ce în apă există persoane!
- Nu utilizați pompa pentru apa de băut.
- Substanțele corozive, inflamabile sau explozive, unsoarea, uleiul, apa sărată și canalizarea nu trebuie folosite cu această pompă.
- pH-ul apei trebuie să fie între 6,5 și 8,5.
- Temperatura lichidului nu trebuie să depășească 35°C.

Securitate electrică

Folosind mașini electrice, întotdeauna respectați regulamentele de protecție valabile în țara dvs. pentru a reduce riscul incendiului, electrocutării și accidentelor personale. Citiți următoarele instrucțiuni de securitate și de asemenea instrucțiunile de securitate atașate.



Întotdeauna controlați dacă voltajul rețelei de alimentare corespunde cu voltajul indicat pe plăcuța cu valori.

Branșarea la rețeaua de alimentare electrică

Verificați dacă sursa de alimentare și mufa utilizate sunt în conformitate cu mașina dvs. Verificați plăcuța tehnică a mașinii. Orice schimbări trebuie efectuate întotdeauna de un electrician calificat.



Atenție! Acest aparat trebuie să fie împământat. Dacă nu este împământat corespunzător, acest aparat poate provoca un șoc electric. Asigurați-vă că priza de alimentare este împământată. Dacă există vreo îndoială, verificați cu un electrician calificat.



Atenție! Evitați contactul cu terminalele de la ștecher atunci când introduceți (scoateți) ștecherul la (din) priza de alimentare. Contactul poate provoca un șoc electric sever.

Înlocuirea cablurilor sau fișelor

În cazul în care cablul de alimentare este deteriorat, acesta trebuie înlocuit de către producător, de către agentul de service sau de către persoane calificate în mod similar, pentru a evita pericolele. Aruncați cablurile sau fișele imediat după ce le ați înlocuit cu cele noi. Este periculos să puneți ștecher unui cablu necunoscut în priza de perete.

Utilizarea cablurilor de prelungire

Utilizați numai cablu aprobat și potrivit pentru puterea absorbită a mașinii. Conductorul trebuie să fie minim de 1,5 mm². Dacă folosiți cablul înfășurat, întotdeauna îl desfășurați complet.

2. INFORMAȚII CU PRIVIRE LA MAȘINĂ

Pompa de grădină este destinată uzului casnic pentru irigarea grădinilor, nu este destinată uzului profesional. Substanțele explozive, corozive, inflamabile, canalizarea, apă sărată, unsoarea și uleiul nu trebuie fie pompute.

Aceasta este destinată exclusiv pompării apei curate și a apei de ploaie. Dimensiunile particulelor solidelor din apă nu trebuie să depășească dimensiunea maximă a particulelor specificată în datele tehnice.

Această pompă nu este proiectată pentru funcționare continuă (de exemplu, ca pompă de circulație pentru piscină sau iaz).

SPECIFICAȚII TEHNICE

Nr. model	GP525AC	GP526AC
Carcasă pompă	Plastic	Oțel inoxidabil
Tensiune	230 V c.a. / 50Hz	
Putere de intrare	800W	1000W
Debit maxim (Fig. B)	3300l/h	3500l/h
Presiune max.	4 bar	4,4 bar
Înălțimea max. de pompare (Fig. B)	40 m	44 m
Înălțimea maximă de aspirare cu autoamorsare	8 m	
Dimensiunea max. a particulei	1 mm (apă curată)	
Temperatura max. a apei	35°C	
Protecție	IPX4	
Racord de presiune	Filet interior G1"	
Racord de aspirație	Filet interior G1"	
Diametrul interior recomandat al furtunului (furtun de aspirație)	25mm, 32mm, 38mm	

Lungime cablu	1,2 m	
Greutate	5,5 kg	6,32 kg
Nivelul presiunii sonore L_{PA}	62,6 dB(A) K = 2,22	66,2 dB(A) K = 2,66
	dB(A)	dB(A)
Nivelul puterii sonore L_{WA}	74,5 dB(A) K = 2,22	78,1 dB(A) K = 2,66
	dB(A)	dB(A)

DESCRIERE

Numerele din text se referă la diagramele de la paginile 2-5.

1. Comutator Pornit/Oprit
2. Dop orificiu de golire
3. Admisie de apă
4. Clapetă de picior/dispozitiv de prevenire a refluxului (nu este inclus)
5. Bușon de umplere
6. Ieșire de apă
7. Mâner de transport
8. Furtun de aspirație (nu este inclus)

3. ASAMBLAREA



Înainte de a efectua orice lucrare la pompă, deconectați ștecherul de la rețeaua electrică.

Montarea mânerului (Fig. C)

1. Puneți mânerul (7) pe pompă, așa cum se arată în figura C.
2. Montați mânerul (7) prin strângerea celor două șuruburi.

Instalarea pompei (Fig. E)

Pompa trebuie să fie instalată într-un mediu ventilat și uscat. Poate fi instalat în exterior, cu condiția să fie acoperit corespunzător pentru a preveni ploaia și vântul. Asigurați-vă că pompa este așezată pe un teren orizontal și stabil. Montați întotdeauna pompa de grădină la un punct mai înalt decât suprafața apei, așa cum se arată în figura E.

Atașarea furtunului de aspirare (Fig. A, D, E)



Nu folosiți niciun fel de fittinguri de sistem de conectare a furtunului sau furtunuri de apă standard pe partea de aspirație! Trebuie utilizat un set de furtun de aspirație (8) cu un cuplaj adecvat (filet exterior G1") și o supapă

de picior (4). Supapa de picior (4) împiedică întoarcerea apei la sfârșitul procesului de pompare.



Pentru a obține debitul maxim, trebuie utilizat un furtun de aspirație (8) de 25 mm, 32 mm sau 38 mm (diametru interior).



Furtunul de aspirație (8) trebuie să fie cât mai scurt posibil.

1. Umpleți furtunul de aspirare (8) cu apă curată de la robinet, așa cum se arată în figura D.
2. Aplicați bandă de etanșare a filetului (bandă de teflon) pe racordul filetat al furtunului de aspirație.
3. Înșurubați cuplajul furtunului de aspirare în orificiul de admisie a apei.
4. Supapa de picior (4) trebuie amplasată vertical și la cel puțin 30 cm de fundul apei pentru a preveni aspirarea nisipurii și a pietrelor, așa cum se arată în figura E.

Montarea ieșirii furtunului (Fig. A)



Cu cât diametrul furtunului și al conectorului furtunului este mai mare, cu atât debitul este mai mare.



Cu cât este mai mică înălțimea de livrare, cu atât este mai mare debitul.

1. Decideți ce diametru de furtun și ce fittinguri pentru sistemul de conectare a furtunului veți folosi.
2. Aplicați banda de etanșare a filetului (bandă de teflon) pe cuplajul filetatale.
3. Înșurubați cuplajul (neinclus) în orificiul de evacuare a apei (6).
4. Conectați furtunul (neinclus) la cuplaj.
5. Verificați dacă furtunul nu are curburi.

Umplerea pompei cu apă (Fig. A, F)

1. Deșurubați și îndepărtați bușonul de umplere (5).
2. Umpleți pompa cu apă curată de la robinet, așa cum se arată în figura F. Nu umpleți pompa în exces.
3. Așezați bușonul de umplere (5) la loc, nu îl strângeți prea tare.

4. OPERAREA



Nu folosiți niciodată pompa într-un lac sau piscină în timp ce în apă există persoane!



Porniți sau opriți alimentarea numai cu mâinile uscate.



Nu puneți niciodată în funcțiune această pompă înainte ca pompa și furtunul de aspirație (8) să fie umplute cu apă.



Curățați supapa de picior (nu este inclusă) și prefiltrul (nu este inclus) la intervale regulate și verificați dacă sunt deteriorate. În caz contrar, funcționarea sa poate fi afectată.

Pornirea și oprirea (Fig. A)

1. Verificați dacă comutatorul PORNIT/OPRIT (1) se află în poziția „O” înainte de a conecta pompa la sursa de alimentare.
2. Mutați comutatorul PORNIT/OPRIT (1) în poziția „I” pentru a porni pompa. Când porniți pompa, în apă va fi mai întâi mult aer. Acesta nu este un defect al pompei dvs., ci servește la eliminarea aerului din pompă. Este posibil să dureze câteva minute pentru ca aerul să iasă atunci când pompa este scufundată pentru prima dată.
3. Duceți comutatorul PORNIT/OPRIT (1) în poziția „O” pentru a opri pompa.

Terminarea operațiunii (Fig. A, G)



Nu atingeți pompa decât dacă alimentarea cu energie electrică a fost întreruptă timp de cel puțin 5 minute.



Atunci când există riscul de îngheț sau dacă nu utilizați pompa pentru o perioadă lungă de timp, vă rugăm să o depozitați corespunzător.

1. Asigurați-vă că comutatorul PORNIT/OPRIT (1) se află la „O” (OPRIT).
2. Scoateți ștecherul din priză.
3. Deșurubați și îndepărtați bușonul de scurgere (2). Lăsați apa să se scurgă.
4. Trageți furtunul de aspirare (atenție, este plin de apă).
5. Deșurubați furtunul de aspirație (8) de la intrarea de apă (3).
6. Îndepărtați filtrul și supapa de picior (4), apoi clătiți cu apă curată. Asigurați-vă că nu mai

există apă în furtunul de aspirare (8).

7. Scoateți furtunul de apă de la ieșirea de apă (6). Deșurubați cuplajul de la ieșirea de apă (6).
8. Așezați bușinul de golire (2) înapoi, nu strângeți prea tare.
9. Curățați și depozitați dispozitivul (consultai „Întreținerea”)

5. ÎNTREȚINEREA



Înainte de curățare și întreținere, opriți alimentarea electrică a mașinii și deconectați fișa cablului de alimentare de la priza de rețea.

Curățați regulat carcasa cu o cârpă moale, de preferat după fiecare utilizare. Îndepărtați murdăria persistentă cu o cârpă moale înmuiată în clăbuci de săpun. Nu folosiți solvenți precum benzină, alcool, amoniac, etc. Astfel de substanțe chimice vor deteriora componentele sintetice.

Dacă aparatul pare a fi blocat, întrerupeți alimentarea de la rețea, scoateți ștecherul din priză și verificați dacă aparatul este blocat. Curățați furtunul de aspirație, supapa de picior, prefiltrul și pompa.

DEPOZITARE ȘI PROTECȚIA FAȚĂ DE ÎNGHEȚ

Pompa de grădină și accesoriile care nu sunt complet drenate pot fi distruse de îngheț. Goliți complet pompa de grădină și accesoriile și protejați-le împotriva înghețului.

Păstrați acest aparat în spații uscate bine ventilate, cu o temperatură care nu va scădea sub +5°C.

Atunci când nu este folosit, aparatul trebuie să fie depozitat într-un spațiu ferit de accesul copiilor.

GHID PENTRU REMEDIEREA PROBLEMELOR

Problemă	Cauză	Remediere
Pompa nu pornește	Lipsește alimentarea de la rețea	Verificați alimentarea de la rețea
Pompa este activă, dar nu livrează apă (după ce a fost pornită timp de mai mult de 5 minute)	Pompa nu este umplută complet cu apă	Reumpleți pompa cu apă și verificați supapa de picior a furtunului de aspirație
	Aer în furtunul de aspirație	Verificați etanșarea diferitelor îmbinări ale furtunului de aspirație
	Nivelul apei este prea scăzut	Reglați înălțimea de instalare a pompei (< 8 m)
	Furtunul de aspirație, supapa de picior, prefiltrul sau pompa este blocată	Curățați furtunul de aspirație, supapa de picior, prefiltrul sau pompa
Presiune insuficientă	Tip de pompă incorrect	Selectați pompa potrivită
	Furtunul de aspirație este prea lung sau cu prea multe coturi, diametrul furtunului de aspirație nu este selectat conform cerințelor	Pentru a obține debitul maxim, trebuie utilizat un furtun de aspirație de 25 mm, 32 mm sau 38 mm (diametru interior). Scurtați furtunul de aspirație
	Furtunul de aspirație, supapa de picior, prefiltrul sau pompa este blocată	Curățați furtunul de aspirație, supapa de picior, prefiltrul sau pompa
	Furtunul de evacuare este instalat incorrect sau incorrect	Verificați furtunul de evacuare și racordurile. Cu cât diametrul furtunului și al racordului este mai mare, cu atât debitul este mai mare. Cu cât este mai mică înălțimea de livrare, cu atât este mai mare debitul.

Pompa nu va porni sau se va opri în timpul utilizării.	Comutatorul de siguranță la suprasarcină termică a fost activat	Deconectați de la sursa de alimentare, lăsați-l timp de 5 minute și curățați furtunul de aspirație, supapa de picior, prefiltrul sau pompa
Pompa oprită după scurte perioade de funcționare	Alimentarea s-a declanșat	Verificați siguranțele și conexiunile electrice
	Apa este prea fierbinte	Asigurați-vă că temperatura apei nu depășește maximum 35°C

MEDIU



Aparatele electrice sau electronice deteriorate și/sau defecte trebuie colectate în locurile de reciclare corespunzătoare.

Numai pentru țările din CE

Nu aruncați echipamentele acționate electric împreună cu gunoiul menajer. Conform Indicației europene 2012/19/EU pentru echipamente electrice și electronice uzate și a implementării sale la nivel național, echipamentele acționate electric scoase din uz trebuie colectate separat și evacuate într-o manieră ecologică.

GARANȚIE

Produsele VONROC sunt realizate la cele mai înalte standarde de calitate și sunt garantate în privința materialelor și a manoperei pentru întreaga perioadă de utilizare în garanție, începând cu data achiziției. În cazul în care produsul se defectează în timpul perioadei de utilizare, contactați direct VONROC.

Următoarele circumstanțe sunt excluse de la această garanție:

- Reparațiile sau modificările care realizate sau care s-au încercat a fi efectuate de centre de service neautorizate.
- Uzura în condiții normale.
- Unealta care a fost abuzată, utilizată într-un mod neglijent sau întreținută în mod inadecvat.
- Folosirea unor piese de schimb neoriginale.

Aceasta acoperă garanția companiei, explicită sau implicită. Nu există alte garanții explicite sau implicite care să se extindă dincolo de cele indicate aici, incluzând garanțiile, vandabilitatea sau adecvarea pentru un anumit scop. În nicio situație, VONROC nu este responsabil pentru daunele incidentale sau consecvențiale. Reparațiile efectuate de reprezentant trebuie să fie limitate la reparațiile sau la înlocuirea unităților sau a pieselor neconforme.

Produsul și manualul de utilizare pot suferi modificări. Specificațiile se pot modifica fără notificare prealabilă.



DECLARATION OF CONFORMITY GP525AC / GP526AC - GARDEN PUMP

- (EN) We declare under our sole responsibility that this product is in conformity with directive 2011/65/EU of the European parliament and of the council of 8 June on the restriction of the use of certain hazardous substances in electrical and electronic equipment is in conformity and accordance with the following standards and regulations:
- (DE) Der Hersteller erklärt eigenverantwortlich, dass dieses Produkt der Direktive 2011/65/EU des Europäischen Parlaments und des Rats vom 8. Juni 2011 über die Einschränkung der Anwendung von bestimmten gefährlichen Stoffen in elektrischen und elektronischen Geräten entspricht. den folgenden Standards und Vorschriften entspricht:
- (NL) Wij verklaren onder onze volledige verantwoordelijkheid dat dit product voldoet aan de conform Richtlijn 2011/65/EU van het Europees Parlement en de Raad van 8 juni 2011 betreffende beperking van het gebruik van bepaalde gevaarlijke stoffen in elektrische en elektronische apparatuur en in overeenstemming is met de volgende standaarden en reguleringen:
- (FR) Nous déclarons sous notre seule responsabilité que ce produit est conforme aux standards et directives suivants: est conforme à la Directive 2011/65/EU du Parlement Européen et du Conseil du 8 juin 2011 concernant la limitation d'usage de certaines substances dangereuses dans l'équipement électrique et électronique.
- (ES) Declaramos bajo nuestra exclusiva responsabilidad que este producto cumple con las siguientes normas y estándares de funcionamiento: se encuentra conforme con la Directiva 2011/65/UE del Parlamento Europeo y del Consejo de 8 de junio de 2011 sobre la restricción del uso de determinadas sustancias peligrosas en los equipos eléctricos y electrónicos.
- (IT) Dichiariamo, sotto la nostra responsabilità, che questo prodotto è conforme alle normative e ai regolamenti seguenti: è conforme alla Direttiva 2011/65/UE del Parlamento Europeo e del Consiglio dell'8 giugno 2011 sulla limitazione dell'uso di determinate sostanze pericolose nelle apparecchiature elettriche ed elettroniche.
- (SV) Vi garanterar på eget ansvar att denna produkt uppfyller och följer följande standarder och bestämmelser: uppfyller direktiv 2011/65/EU från Europeiska parlamentet och EG-rådet från den 8 juni 2011 om begränsningen av användning av farliga substanser i elektrisk och elektronisk utrustning.
- (DA) Vi erklærer under eget ansvar, at dette produkt er i overensstemmelse med følgende standarder og bestemmelser: er i overensstemmelse med direktiv 2011/65/EU fra Europa-Parlamentet og Rådet af 8. juni 2011 om begrænsning af anvendelsen af visse farlige stoffer i elektrisk og elektronisk udstyr.
- (PL) Deklarujemy na własną odpowiedzialność, że ten produkt spełnia wymogi zawarte w następujących normach i przepisach: jest zgodny z Dyrektywą 2011/65/UE Parlamentu Europejskiego i Rady z dnia 8 czerwca 2011 r. w sprawie ograniczenia stosowania niektórych niebezpiecznych substancji w sprzęcie elektrycznym i elektronicznym.
- (RO) Declaram prin aceasta cu răspunderea deplină că produsul acesta este în conformitate cu următoarele standarde sau directive: este în conformitate cu Directiva 2011/65/UE a Parlamentului European și a Consiliului din 8 iunie 2011 cu privire la interzicerea utilizării anumitor substanțe periculoase la echipamentele electrice și electronice.

GP525AC:

Measured sound power level: 74.5 dB(A)

Guaranteed sound power level: 77 dB(A)

GP526AC:

Measured sound power level: 78.1 dB(A)

Guaranteed sound power level: 81 dB(A)

Conformity assessment method to Annex V Directive 2000/14/EC amended by 2005/88/EC.

The notified body involved: TÜV SÜD Industrie Service GmbH, Certification Body of the Notified Body 0036

EN 60335-1, EN 60335-2-41, EN 62233, EN 55014-1, EN 55014-2, EN 61000-3-2, EN 61000-3-3, 2006/42/EC, 2014/30/EU, 2011/65/EU, (EU)2015/863, 2012/19/EU, 2000/14/EC, 2005/88/EC

Zwolle, 01-12-2021

H.G.F Rosberg
CEO

VONROC • Lingenstraat 6 • 8028 PM Zwolle • The Netherlands



VONROC®
BUILD YOUR FUTURE

©2021 VONROC
WWW.VONROC.COM

2112-17