



18" & 20" STAND/FLOOR/WALL FAN

OPERATING INSTRUCTIONS

Before operating this series unit  
please read instructions completely

[www.ralight-holland.com](http://www.ralight-holland.com)

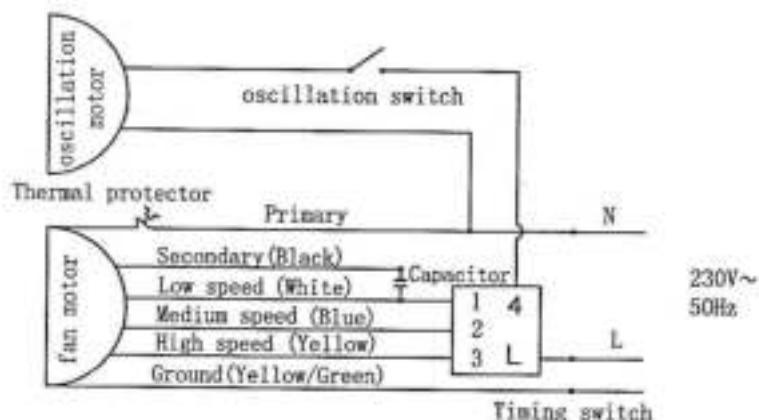
## CHARACTERS

1. Optimized design, elaborately making, the fan is luxury, safe and easy to use.
2. Adopt nice pressure casting technology, light weight and large air delivery.
3. Excellent winding design and with ball bearing, low noise and durable.
4. Build thermal fuse in the motor and ensure overload protective.
5. With three speeds, wind angel can be adjusted up and down.
6. It is suitable to be used in living room, marketplace, hotel, warehouse and so on.

## OPERATING INSTRUCTIONS

1. Refer to assembly scheme to assemble the fan, before assemble, please check parts carefully if any damage during shipment.
2. Move blade before operation, check if flexible and any rubbing with other parts. (Don't deform the blade).
3. The voltage and frequency should same as the motor label fixed, don't use it in corrosive and other wet environment.
4. Don't use the fan beyond the height of elevation 1000 meters. and don't use in place with temperature over 40°C.
5. When power supply come from socket, the play must accord with IEC335-1. When the power code is connected with charging line directly, all-polarity switch that the contact gap is 3mm at least must be in the charging line.
6. By turning switch (8) of floor fan and stand fan can get three speeds, select one of three speeds, on switch label 0, 1, 2, 3 indicates OFF, SLOW SPEED, MEDIUM SPEED, HIGH SPEED. wall fan can pull the timing-switch (25) or turn the switch (23) get three speeds. lable 0 indicates OFF,  for HIGH SPEED,  for MEDIUM SPEED,  for SLOW SPEED.
7. Oscillation control: For Stand Fan and Floor Fan, press oscillating-button (8) to make the fan oscillate or stop oscillating. For Wall Fan, pull the oscillating-cord to oscillate or stop oscillating, and it will exchange once pulling.
8. Pitching control turn off the fan and cut the power supply, hold the top and end of the net can adjust the angle up and down, This for floor and stand fan. Fitching control for wall fan, turn off the fan and cut the power supply, hold the mount tube, unscrew (29), will adjustable, then fixed the screw.
9. height adjustment of pedestal fan: Turn off the power, hold the upper part of the fan (11) firmly after the blades stop running, and then loosen the plastic locking cover (14) from clockwise direction, adjust the stand pole of the fan to ideal height, and tighten the plastic locking cover from the anti-clockwise direction. The height of the floor fan and wall fan is not adjustable.
10. The wall fan should be installed 2.3 meters or more above the ground.
11. Base installation: Loose the L bolt on the botton of the stand pole and remove the fastening flange, insert the stand pole into the center hole of the base, put back the fastening flange and tighten the L bolts.

## WIRING DRAWING

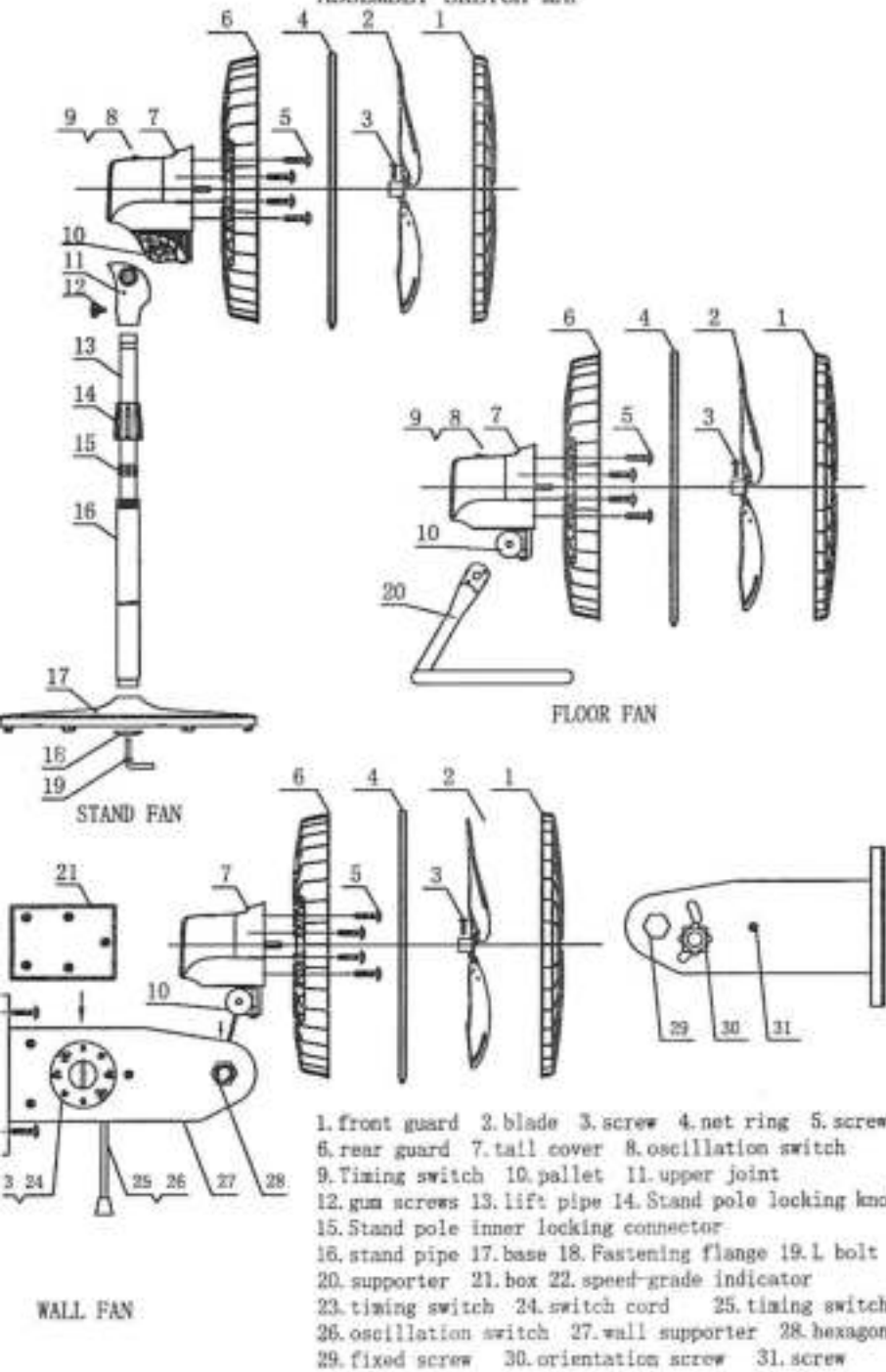


## TECHNICAL PARAMETER

Parameter Item	Stage 1				Stage 2				Stage 3			
	Power W	Speed rpm	Air volume m <sup>3</sup> /min	Noise dB	Power W	Speed rpm	Air volume m <sup>3</sup> /min	Noise dB	Power W	Speed rpm	Air volume m <sup>3</sup> /min	Noise dB
45T-S	50	950	46	48	60	1250	70	50	75	1400	90	55
45T-W	50	950	46	48	60	1250	70	50	75	1400	90	55
45T-G	50	950	46	48	60	1250	70	50	75	1400	90	55
50T-S	70	950	65	50	80	1250	90	53	110	1400	120	58
50T-W	70	950	65	50	80	1250	90	53	110	1400	120	58
50T-G	70	950	65	50	80	1250	90	53	110	1400	120	58

Note: No further notice if above indices change.

ASSEMBLY SKETCH MAP

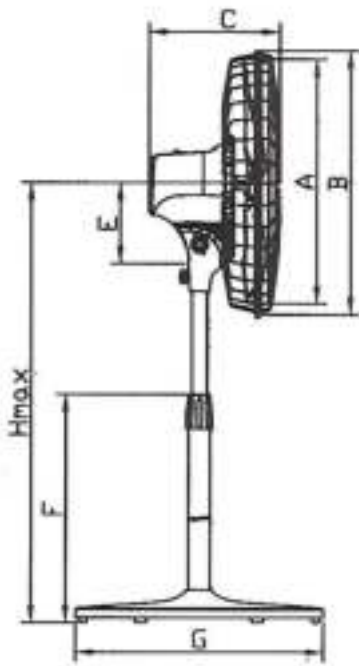


FLOOR FAN

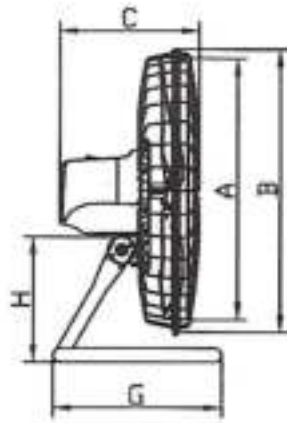
STAND FAN

WALL FAN

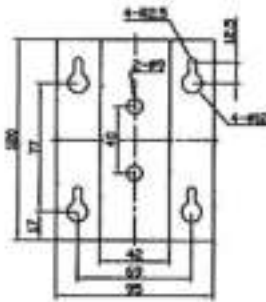
1. front guard
2. blade
3. screw
4. net ring
5. screw
6. rear guard
7. tail cover
8. oscillation switch
9. Timing switch
10. pallet
11. upper joint
12. gum screws
13. lift pipe
14. Stand pole locking knob
15. Stand pole inner locking connector
16. stand pipe
17. base
18. Fastening flange
19. L bolt
20. supporter
21. box
22. speed-grade indicator
23. timing switch
24. switch cord
25. timing switch
26. oscillation switch
27. wall supporter
28. hexagon
29. fixed screw
30. orientation screw
31. screw



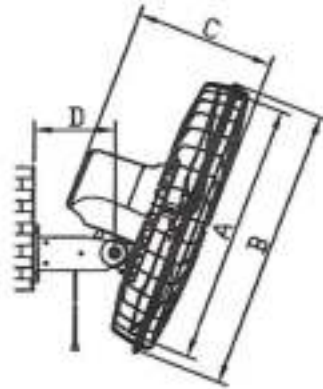
STAND FAN



FLOOR FAN



MOUNTING CARD



WALL FAN

Model	A	B	C	D	E	F	G	H
45T-S	450	510	290	/	155	640	480	1180
45T-G	450	510	290	/	/	/	295	235
45T-W	450	510	290	174	/	/	/	/
50T-S	500	565	290	/	155	640	480	1180
50T-G	500	565	290	/	/	/	295	245
50T-W	500	565	290	174	/	/	/	/

### WARNING

1. Don't place fingers or foreign objects through guards into blade, and don't let children close the fan when the fan is running.
2. Bare-body children, weakling and elder should not stay in front of the running fan for a long time.
3. Don't place the running fan near opened window or flower or tree or the curtain, portiere and suchlike places, also don't place the fan in some unplanned place.
4. Close power supply before removing the fan.
5. During operation, cut off the power if appear rubbing sound, rising smoke, move stopped, send it to check and repair to maintenance station or our factory.
6. This appliance is not intended for use by persons (including children) with reduced physical, sensory or mental capabilities, or lack of experience and knowledge, unless they have been given supervision or instruction concerning use of the appliance by a person responsible for their safety. Children should be supervised to ensure that they do not play with the appliance.
7. Type Y attachment - Damaged supply cords to be replaced by the manufacturer, service agent or similarly qualified person to avoid hazard.
8. Don't use the three-prong plug with a two-prong socket.
9. Besides our stating maintenances, non-professional is forbidden to disassemble the fan.
10. WARNING: "ONLY INDOOR USE".

### Quality Guarantee

1. Under normal operation, any breakdown caused by quality can be exchanged or fixed free change within one year (base on sale date).
2. The product has a permanent maintenance material and repairing will be charged after "Guarantee period".
3. In the following cases, guarantee is not applicable:
  - a. Breakdown not caused by disassembly, refitment, repair of our company.
  - b. Natural disaster and other wrong operation.
  - c. Valid without stamp of sell and tie indicator year.

### MAINTENANCES

1. The fan must be cleaned periodically to keep clean and attractive.
2. Open the net ring, remove the net (1) and blade (2). Use mild detergent or alcohol to clean off the dirt on the fan.
3. Don't web the motor during cleaning.
4. Assemble the fan after cleaning. Be sure the blade is properly fixed in the bearing, close the four clips and fix the screw in the guard.
5. After assembling, run fan with a slim pole to ensure well-balance and have no grating.

### Notice

1. Avoid the guard and blade deformed during maintenances.
2. The power supply must be closed during the whole maintenances.