

BATAVIA

MAXXPACK

Cordless stapler / nailer

Akku Tacker

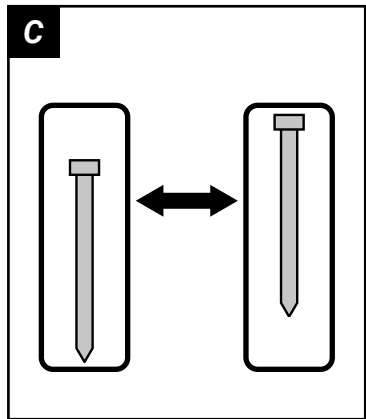
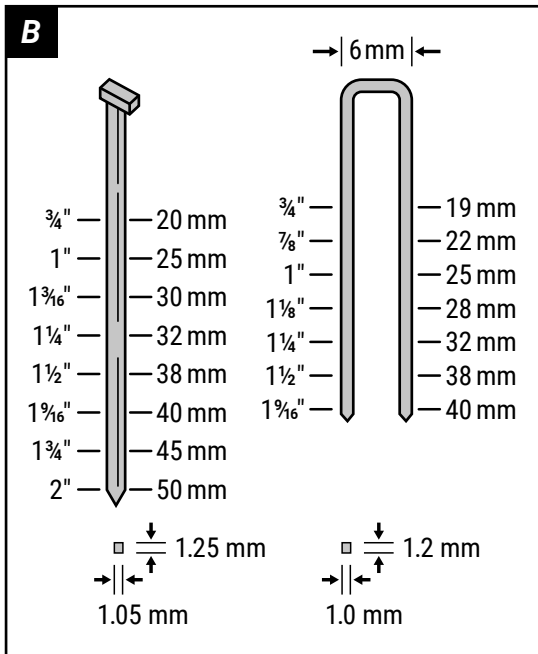
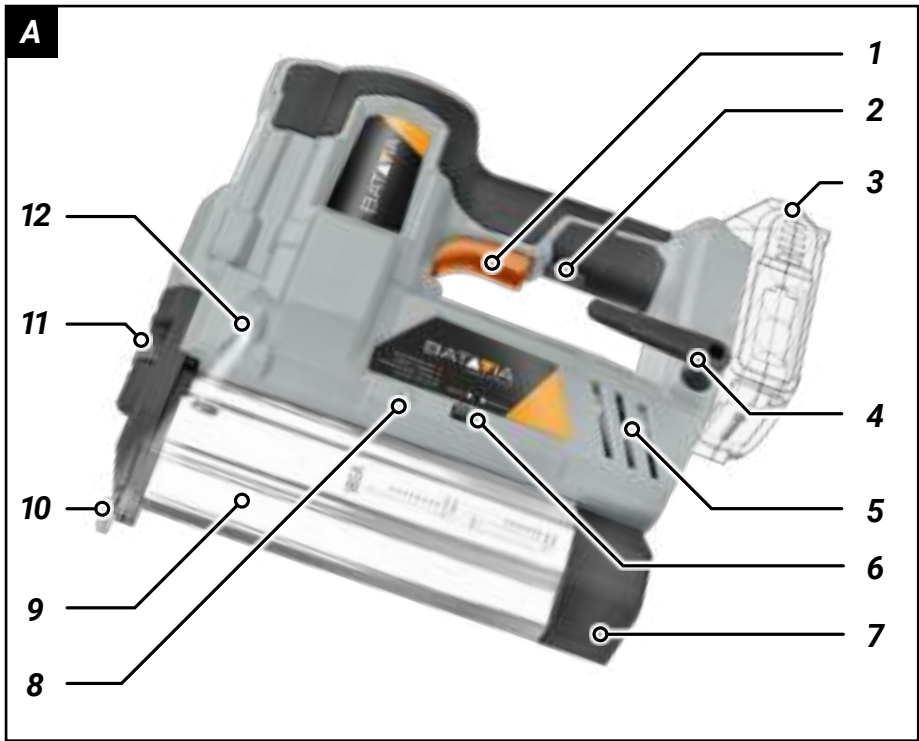
Agrafeuse sans fil

Accu niet- en spijkerpistool



Operating instructions
Bedienungsanleitung (Original)
Mode d'emploi
Gebruiksaanwijzing

Model: BT-CSN001
Item-No.: 7063094
www.batavia.eu



**Recommended/Empfohlen/
Aanbevolen/Recommandés**

▮ Type/typ F ▮ Type/typ 90

Overview

1. Trigger
2. LED switch
3. Battery **(not included)**
4. Belt hook
5. Ventilation slots
6. Mode selector (single/contact fire)
7. Magazine catch
8. LED indicator
9. Magazine
10. Safety contact pin
11. Depth adjustment wheel
12. LED worklight (2 sides)

Übersicht

1. Abzug
2. LED-Schalter
3. Akku **(nicht enthalten)**
4. Gürtelhaken
5. Lüftungsöffnungen
6. Feuermodus-Schalter
7. Magazinhalter
8. LED-Anzeige
9. Magazingehäuse
10. Sicherheitskontaktstift
11. Einstellrad
12. LED-Arbeitsleuchte (2 Seiten)

Aperçu

1. Gâchette
2. Interrupteur DEL
3. Batterie **(non compris)**
4. Crochet de ceinture
5. Fentes d'aération
6. Sélecteur de mode de tir
7. Loquet du magasin
8. Indicateur DEL
9. Boîtier du magasin
10. Goupille du contact de sécurité
11. Dispositif de réglage
12. Témoin de travail DEL (2 côtés)

Overzicht

1. Trekker
2. LED schakelaar
3. Accu **(niet inbegrepen)**
4. Riem-haak
5. Ventilatiegaten
6. Modus schakelaar
7. Magazijnpal
8. LED-indicator
9. Magazijnbehuizing
10. Veiligheidscontactpen
11. Diepte-regelaar
12. LED-werklamp (2 zijden)

Contents

1. Explanation of the symbols	5
2. Additional safety warnings	5
3. Before the first use	7
4. Contents of packing	7
5. Intended use	7
6. Nail / staples selection	7
7. Loading nails / staples	7
8. Operation	8
9. Adjusting the nailing depth	8
10. Removing a jammed nail or staple	8
11. Work light	8
12. LED Status indicator	8
13. Cleaning and maintenance	9
14. Technical data.	9
15. Disposal	10
16. EC-Declaration of conformity	10

Inhaltsverzeichnis

1. Erläuterung der Symbole	11
2. Zusätzliche Sicherheitshinweise	11
3. Vor der ersten Benutzung	14
4. Verpackungsinhalt	14
5. Bestimmungsgemäßer Gebrauch	14
6. Wählen Sie Nägel / Klammern aus.	14
7. Nägel / Klammern laden.	14
8. Gebrauchsanweisung (Nageln oder Heften):	14
9. Einstellen der Nageltiefe.	15
10. Entfernen eines Nagel/Klammer Verstopfung:	15
11. LED-Arbeitsleuchte	15
12. LED Statusanzeige	15
13. Reinigung und Wartung	15
14. Technische Daten.	16
15. Entsorgung	16
16. EG-Konformitätserklärung	17

Table des matières

1. Explication des symboles	18
2. Avertissements de sécurité additionnels	18
3. Avant la première utilisation.	20
4. Contenus de l'emballage.	20
5. Usage prévu	21
6. Sélection ongles / agrafes	21
7. Chargement des ongles / agrafes	21
8. Opération	21
9. Réglage de la profondeur de clouage	21
10. Retrait d'un clou ou d'une agrafe coincé	22
11. Éclairage de travail	22
12. Indicateur d'état	22
13. Nettoyage et maintenance	22
14. Caractéristiques techniques	23
15. Élimination et recyclage	23
16. CE-Déclaration de conformité	23

Inhoudsopgave

1. Uitleg van de symbolen	24
2. Aanvullende veiligheidsvoorschriften	24
3. Voor het eerste gebruik	27
4. Inhoud van de verpakking	27
5. Beoogd gebruik	27
6. Spijkers / nietjes selecteren	27
7. Spijkers/ Nietjes laden	27
8. Ingebruikname	27
9. De spijkerdiepte afstellen	28
10. Vastgelopen spijker of nietje verwijderen	28
11. LED-werklamp.	28
12. LED statusweergave	28
13. Reiniging en onderhoud	28
14. Technische gegevens:	29
15. Afvalverwerking en hergebruik	29
16. EG-Conformiteitsverklaring	30

Dear customer

Please familiarize yourself with the proper usage of the device by reading and following each chapter of this manual, in the order presented. Keep these operating instructions for further reference.

Please read all safety instructions!

This manual contains important information on operating and handling the device. Keep these operating instructions for further reference. Please pass it on along with the unit if it is handed over to a third party.

Battery and charger not included!

The battery is available separately under art. No: 7062517 (2Ah) or 7062518 (4Ah). The charger is available separately under art. No: 7062519.

These items are available online and in participating stores.

1. Explanation of the symbols

The following symbols are used in the user manual or on the product:



Warning! To reduce the risk of injury, the user must read the instruction manual.



Denotes risk of personal injury, loss of life or damage to the tool in case of non-observance of the instructions in this manual.



Always wear hearing protection. The effects of noise can cause hearing loss.



Wear a dust mask. When working with wood and other materials, harmful dust may be generated. Work with asbestos containing materials is not permitted!



Wear safety glasses. When working with electric power tools, sparks, splinters, chips and dust particles may be generated and these can cause loss of sight.



CE stands for "Conformité Européenne", which means "In accordance with EU Regulations". With the CE marking, the manufacturer confirms that this Electric tool complies with the applicable European directives.



Do not dispose of electric power tools with domestic refuse.

2. Additional safety warnings

- 2.1 Always assume that the tool contains fasteners. Careless handling of the nailer can result in unexpected firing of fasteners and personal injury.
- 2.2 Do not point the tool towards yourself or anyone nearby. Unexpected triggering will discharge the fastener causing an injury.
- 2.3 Do not actuate the tool unless the tool is placed firmly against the workpiece. If the tool is not contact with the workpiece, the fastener may be deflected away from your target.
- 2.4 Disconnect the tool from the power source when the fastener jams in the tool. While removing a jammed fastener, the nailer may be accidentally activated if it is plugged in.
- 2.5 Use caution while removing a jammed fastener. The mechanism may be under compression and the fastener may be forcefully discharged while attempting to free a jammed condition.
- 2.6 Do not use this nailer for fastening electrical cables. It is not designed for electrical cable installation and may damage the insulation of electric cables thereby causing electric shock or fire hazards.
- 2.7 Be careful of ignition and explosions. Since sparks may fly during nailing, it is dangerous to use this tool near lacquer, paint, benzine, thinner, gasoline, gas, adhesives and similar inflammable substances as they may ignite or explode. Under no circumstances should this tool therefore be used in the vicinity of such inflammable material.
- 2.8 Always wear eye protection (protective goggles). When operating the power tool, always wear eye protection, and ensure that surrounding people wear eye protection too. The possibility of fragments of the nails that were not properly hit entering the eye is a threat to sight. Eye protection can be bought at any hardware store. Always wear eye protection while operating this tool. Use

- either eye protection or a wide vision mask over prescription glasses. Employers should always enforce the use of eye protection equipment.
- 2.9 Protect your ears and head. When engaged in nailing work please wear ear mufflers and head protection. Also, depending on condition, ensure that surrounding people also wear ear mufflers and head protection.
- 2.10 Pay attention to those working close to you. It would be very dangerous if nails that were not properly driven in should hit other people. Therefore, always pay attention to the safety of the people around you when using this tool. Always make sure that nobody's body, hands or feet are close to the nail outlet.
- 2.11 Never point the nail outlet towards people. Always assume the tool contains fasteners. If the nail outlet is pointed towards people, serious accidents may be caused if you mistakenly discharge the tool. When connecting and disconnecting the battery, during nail loading or similar operations, be sure the nail outlet is not pointed towards anyone (including yourself). Even when no nails are loaded at all, it is dangerous to discharge the tool while pointing it at someone, so never attempt to do so. No horseplay. Respect the tool as a working implement.
- 2.12 Check push lever before use. Make sure the push lever operates properly. (The push lever may be called "Safety".) Never use the Nailer unless the push lever is operating properly, otherwise the Nailer could drive a fastener unexpectedly. Do not tamper with or remove the push lever, otherwise the push lever becomes inoperable.
- 2.13 Be careful when connecting the battery. When connecting the battery and loading nails in order not to fire the tool by mistake, make sure of the followings.
- Do not touch the trigger.
 - Do not allow the firing head to contact with any surface.
- Keep the firing head down. Strictly observe the above instructions, and always make sure that no part of the body, hands or legs is ever in front of the nail outlet.
- 2.14 Do not carelessly place your finger on the trigger. Do not place your finger on the trigger except when actually nailing. If you carry this tool or hand it to someone while having your finger on the trigger, you may inadvertently discharge a nail and thus cause an accident.
- 2.15 Press the nail outlet firmly against the material to be nailed. When driving in nails, press the nail outlet firmly against the material to be nailed. If the outlet is not applied properly, the nails may rebound.
- 2.16 Keep hands and feet away from the firing head when using. It is very dangerous for a nail to hit the hands or feet by mistake.
- 2.17 Beware of the tool's kickback. Do not approach the top of the tool with your head etc. during operation. This is dangerous because the tool may recoil violently if the nail currently being driven in comes into contact with a previous nail or a knot in the wood.
- 2.18 Be careful of double fire due to recoil. If the push lever is unintentionally allowed to re-contact the workpiece following recoil, an unwanted fastener will be driven. In order to avoid this undesirable double fire,
- a. Intermittent operation (Trigger firing)
 - Set the switching device to FULL SEQUENTIAL ACTUATION MECHANISM.
 - Pull the trigger rapidly and firmly.
 - b. Continuous operation (Push lever firing)
 - Do not press the nailer against the wood with excessive force.
 - Separate the nailer from the wood as it recoils after fastening.
- 2.19 Take care when nailing thin boards or the corners of wood. When nailing thin boards, the nails may pass right through, as may also be the case when nailing the corners of wood due to devi-

- ation of the nails. In such cases, always make sure that there is no one (and nobody's hands or feet; etc.) behind the thin board or next to the wood you are going to nail.
- 2.20 Simultaneous nailing on both sides of the same wall is dangerous. Under no circumstances should nailing be performed on both sides of a wall at the same time. This would be very dangerous since the nails might pass through the wall and thus cause injuries.
- 2.21 Do not use the power tool on scaffoldings, ladders. The power tool shall not be used for specific application for example:
- when changing one driving location to another involves the use of scaffoldings, stairs, ladders or ladder alike constructions, e.g. roof laths,
 - closing boxes or crates,
 - fitting transportation safety systems e.g. on vehicles and wagons.
- 2.22 Remove all remaining fasteners and battery from nailer when:
- doing maintenance and inspection;
 - checking proper operation of push lever and trigger;
 - attaching or removing the nose cap;
 - clearing a jam;
 - it is not in use;
 - leaving work area;
 - moving it to another location; and
 - handing it to another person.
- Never attempt to clear a jam or repair the Nailer unless you have removed battery and all remaining fasteners from the Nailer. The Nailer should never be left unattended since people who are not familiar with the Nailer might handle it and injure themselves.
- 2.23 Remove battery from nailer when:
- a. loading nails;
 - b. turning the adjuster.
- 2.24 The operating environment for this device is between 0 °C and 40 °C so ensure use within this temperature range. The device may fail to operate below 0 °C or above 40 °C.
- 2.25 Do not allow foreign matter to enter the hole for connecting the rechargeable battery.
- 2.26 NEVER allow magnets (or similar magnetic devices) to be adjacent to the nailer, because the nailer has a magnetic sensor inside. Doing so will cause a failure or risk of injury by malfunction.
- 2.27 Resting the unit after continuous work.
- 2.28 The power tool is equipped with a temperature protection circuit to protect the motor. Continuous work may cause the temperature of the unit to rise, activating the temperature protection circuit and automatically stopping operation. If this happens, allow the power tool to cool before resuming use.
- 2.29 This product may cease to operate when an abnormality is detected.
- 2.30 Do not give a strong shock to the switch panel or break it. It may lead to a trouble.

3. Before the first use

Remove the machine and all accessories from the package. Keep the packaging materials out of the reach of small children. There is a danger of suffocation!

4. Contents of packing

- 1x Cordless stapler / nailer
- 1x Instruction manual

5. Intended use

This tool was designed for driving nails into wood and similar materials. Use it for its intended purpose only.

Metal and materials containing asbestos must not be worked with this tool.

6. Nail / staples selection

(See Fig. B)

- Nails: max. length 50 mm.
- Staples: max. length 40 mm.

7. Loading nails / staples

Only use recommended nails / staples. Non-recommended nails / staples are more likely to jam in the nail gun.

- 7.1 Release the battery (3) from the nail gun.

- 7.2 Press in the magazine catch **(7)** and pull back the magazine casing **(9)**.
- 7.3 Fill the magazine with suitable nails or staples.
- 7.4 Check that the nails or staples are correctly placed in the magazine.
- 7.5 Slide the magazine casting to close it and check that it clicks in place.
- 7.6 Place the battery.

8. Operation

- 8.1 Prior to operation, make sure the battery pack is fully charged.
- 8.2 Check whether the nails or staples are placed in the magazine correctly.
- 8.3 Hold the handle firmly with magazine flat on the work surface at a 90 degree angle.
- 8.4 The brad nailer has two firing modes: Single and Contact Firing.

8.5 For single firing mode:

- Push the Firing Mode switch **(6)** to the left.
- Depress the safety contact pin **(10)** against the work surface.
- Squeeze the trigger **(1)** to fire the staple or nail. Release the trigger and safety contact pin after firing.

8.6 For contact firing mode:

- Push the Firing Mode switch **(6)** to the right.
- Squeeze the trigger **(1)**.
- Press the safety contact pin **(10)** against the work surface to fire a nail or staple.
- With the trigger still depressed, raise the device and press it against the next area you want to fire a nail or staple into.
- When the contact pin is pressed against the work surface the device will fire.

WARNING: Do not keep the trigger depressed when the brad nailer is not in use.

9. Adjusting the nailing depth

To assure that each nail penetrates to the same depth, be sure that the nailer is always held firmly against the workpiece. If nails

are driven too deep or shallow into the workpiece, adjust the nailing in the following order.

- 9.1 Remove the battery **(3)** from the nailer.
- 9.2 If nails are driven too deep, turn the adjuster **(11)** to the shallow side. (See **Fig. C**) Adjustments are in half-turn increments. If nails are driven too shallow, turn the adjuster to the deep side.
- 9.3 Stop turning the adjuster when a suitable position is reached for a nailing test.
- 9.4 Connect the battery to the Nailer. Perform a nailing test.

10. Removing a jammed nail or staple

You must remove any jammed nail/staple before using the tool any further. Otherwise, it could cause damage to the mechanism.

- a. Remove the battery pack **(3)** from the tool.
- b. Open the magazine **(9)** and remove the nails or staples in the channel.
- c. Clear the jammed staple or nail.
- d. If the nail or staple remains jammed after following the above instructions, slightly loosen the hex screws on the nose-piece with a hex wrench. Then remove the jammed pieces manually. Pliers can be used if necessary.
- e. Securely re-tighten the hex screws in the nose piece after the jammed nail has been successfully removed.
- f. Reload the staples or nails, close the magazine and insert it back into the nailer.

11. Work light

When the trigger switch **(2)** is pressed the work light **(12)** turns on. When the trigger switch is released the work light turns off after approximately five seconds.

12. LED Status indicator

- Flashing red LED: Nail/Staple jam.
- Solid red LED: Low battery.
- Flashing green LED: Overheat.
- Solid green LED: Out of Nails.

13. Cleaning and maintenance

13.1 Cleaning

- Keep safety devices, ventilation openings and the motor housing as free as possible from dirt and dust. Rub the electric power tool with a clean cloth or blow over it with low pressure compressed air.
- We recommend that you clean your electric power tool immediately after each use.
- Clean the electric power tool regularly with a damp cloth and somewhat soft soap. Do not use any cleaning or solvent materials; these can attack the device's plastic components. Make sure that no water can get inside the electric power tool.
- Remove the battery before undertaking any cleaning or maintenance work.
- Clean the magazine. Remove dust and wooden chips which may have accumulated in the magazine.
- Use only a moist cloth to clean the unit. Do not use aggressive chemicals which may dissolve plastic parts, or abrasives. Always keep the ventilation slots clean and free from obstructions.
- Regularly inspect all mounting screws and ensure that they are properly tightened. Should any of the screws be loose, re-tighten them immediately. Failure to do so could result in serious hazard.
- The motor unit winding is the very "heart" of the power tool. Exercise due care to ensure the winding does not become damaged and/or wet with oil or water.

13.2 Maintenance

There are no inner parts of the tool which need maintenance.

14. Technical data

Battery voltage: 18 V Li-Ion
 Firing speed: . . . 60 nails/staples per minute
 Max. magazine capacity: . . 100 nails/staples
 Max. length of nails: 20-50 mm
 Max. length of staple: 19-40 mm
 Weight: 2.8 kg
 Weighted sound pressure level L_{pA} : 79.9 dB(A)
 Uncertainty K_{pA} : 3 dB(A)
 Weighted sound power level L_{WA} : 90.9 dB(A)
 Uncertainty K_{WA} : 3 dB(A)
 Hand/arm vibration: 1.39 m/s²
 Uncertainty K: 1.5 m/s²

14.1 Vibration level

The vibration emission level stated in this instruction manual has been measured in accordance with a standardised test given in EN 60745; it may be used to compare one tool with another and as a preliminary assessment of exposure to vibration when using the tool for the applications mentioned

- using the tool for different applications, or with different or poorly maintained accessories, may significantly increase the exposure level
- the times when the tool is switched off or when it is running but not actually doing the job, may significantly reduce the exposure level

Protect yourself against the effects of vibration by maintaining the tool and its accessories, keeping your hands warm, and organizing your work patterns.

15. Disposal



Do not dispose of electric power tools with domestic refuse.

The electric power tool is shipped in packaging to reduce transport damage.

This packaging is a raw material and as such can either be reused or can be fed back into the raw material cycle. The electric power tool and its accessories are made from various materials such as metals and plastics. Take defective components to a special refuse collection point. Ask about these at your specialist shop or local council.

15.1 Batteries

Think of the environment when disposing of batteries. Contact your local authorities to find out where your nearest disposal area is. Do not dispose of batteries with domestic refuse. Do not dispose of by burning, risk of explosion.

16. EC-Declaration of conformity

We, the **Batavia B.V., Weth. Wassebaliestraat 6d, NL-7951 SN Staphorst**, declare by our own responsibility that the product **Cordless stapler / nailer, Item-No 7063094, Model Nr. BT-CSN001** is according to the basic requirements, which are defined in the European Directives **Electromagnetic Compatibility 2014/30/EU (EMC), 2006/42/EC (Machinery), RoHS: 2011/65/EU** and their amendments. For the evaluation of conformity, the following harmonized standards were consulted:

EN60745-1:2009+A11:2010

EN60745-2-16:2010

AfPS GS 2014:01

EN55014-1:2006+A2:2011

EN55014-2:2015

Staphorst, 1 April 2019

Meino Seinen, QA Representative
Batavia B.V., Weth. Wassebaliestraat 6d,
7951 SN Staphorst, Netherlands

The product and the user manual may be subject to changes. Technical data may be changed without prior notice.

Sehr geehrte Damen und Herren

Bitte machen Sie sich in der Reihenfolge der Kapitel mit dem Gerät vertraut und bewahren Sie diese Bedienungsanleitung für spätere Zwecke gut auf.

Bitte beachten Sie die Sicherheitshinweise!

Diese Bedienungsanleitung enthält wichtige Hinweise zur Inbetriebnahme und Handhabung. Legen Sie die Anleitung dem Produkt bei, wenn Sie es an Dritte weitergeben.

Akku und Ladegerät sind nicht im Lieferumfang enthalten!

Der Akku ist separat erhältlich unter der Artikel-Nr.: 7062517 (2Ah) oder 7062518 (4Ah). Das Ladegerät ist separat erhältlich unter der Artikel-Nr.: 7062519.

Diese Produkte sind online und in teilnehmenden Geschäften verfügbar.

1. Erläuterung der Symbole

Folgende Symbole werden im Benutzerhandbuch oder auf dem Produkt verwendet:



WARNUNG - Zur Verringerung des Verletzungsrisikos Bedienungsanleitung lesen.



Allgemeines Warnzeichen – Seien Sie aufmerksam und beachten Sie allgemeine Gefahren.



Tragen Sie immer einen Gehörschutz. Die Einwirkung von Lärm kann Gehörverlust bewirken.



Tragen Sie eine Staubschutzmaske. Beim Bearbeiten von Holz und anderen Materialien kann gesundheitsschädlicher Staub entstehen. Asbesthaltiges Material darf nicht bearbeitet werden!



Tragen Sie eine Schutzbrille. Während der Arbeit entstehende Funken oder aus dem Elektrowerkzeug heraustretende Splitter, Späne und Stäube können Sichtverlust bewirken.



CE steht für „Conformité Européenne“, dies bedeutet, Übereinstimmung mit EU Richtlinien“. Mit der CE Kennzeichnung bestätigt der Hersteller, dass dieses Elektrowerkzeug den geltenden europäischen Richtlinien entspricht.



Nicht in den Hausmüll entsorgen!

2. Zusätzliche Sicherheitshinweise

- 2.1 Gehen Sie immer davon aus, dass das Gerät Krampen enthält. Der unvorsichtige Umgang mit dem Nagler kann zum unerwarteten Abfeuern von Nägeln und zu Verletzungen führen.
- 2.2 Richten Sie das Gerät nie auf sich selbst oder Personen in Ihrer Umgebung. Eine ungewollte Betätigung des Auslösers führt zum Abfeuern einer Krampe und kann Verletzungen zur Folge haben.
- 2.3 Betätigen Sie das Gerät nur, wenn es fest gegen das Werkstück gedrückt ist. Wenn das Gerät nicht am Werkstück anliegt, kann die Krampe von Ihrem Ziel abgelenkt werden.
- 2.4 Trennen Sie das Gerät von der Stromversorgung, wenn sich eine Krampe im Gerät verklemmt. Wenn ein eingeklemmter Nagel entfernt wird, kann der Nagler versehentlich aktiviert werden, wenn er an die Steckdose angeschlossen ist.
- 2.5 Gehen Sie beim Entfernen verklemmter Krampen vorsichtig vor. Der Mechanismus kann unter Druck stehen und die Krampe wird möglicherweise mit Gewalt herausgeschleudert, wenn Sie versuchen, die Verklemmung zu beheben.
- 2.6 Verwenden Sie diesen Nagler nicht zur Befestigung von Elektrokabeln. Er ist nicht für die Montage elektrischer Kabel geeignet und kann die Kabelisolierung beschädigen und dadurch einen Stromschlag oder einen Brand verursachen.
- 2.7 Schützen Sie sich vor Bränden und Explosionen. Da während des Nagelns Funken umherfliegen können ist es gefährlich, das Gerät in der Nähe von Lacken, Farben, Benzin, Verdünnern, Gasolinen, Gas, Klebstoffen oder ähnlichen brennbaren Substanzen zu benutzen, da diese sich entzünden oder explodieren können. Das Gerät darf aus diesem Grunde unter keinen Umständen in der Nähe solcher brennbaren Materialien benutzt werden.

- 2.8 Schützen Sie Ihre Augen mit Schutzbrillen. Wenn Sie mit dem Gerät arbeiten tragen Sie stets eine Schutzbrille und achten Sie darauf, dass auch in Ihrer Umgebung Schutzbrillen getragen werden. Es können Teile von Nägeln, die nicht einwandfrei eingetrieben wurden, in die Augen eindringen und das Augenlicht zerstören. Schutzbrillen sind in jedem Fachgeschäft erhältlich. Tragen Sie stets einen Sicherheits-Augenschutz, entweder eine Schutzbrille oder eine Weitwinkel-Schutzmaske mit den vorgeschriebenen Gläsern. Arbeitgeber sollten das Tragen von Augenschutz immer vorschreiben.
- 2.9 Schützen Sie Ihre Ohren und Ihren Kopf. Tragen Sie während des Nagelns Lärmschutz und Sicherheitshelme. Abhängig von den Bedingungen sollten auch Personen in der Umgebung Lärmschutz und Sicherheitshelme tragen.
- 2.10 Achten Sie auf Personen, die in Ihrer Nähe arbeiten. Es kann gefährlich werden wenn Nägel, die nicht richtig eingetrieben wurden andere Personen verletzen. Achten Sie aus diesem Grunde auf die Sicherheit der Sie umgebenden Personen wenn Sie dieses Gerät benutzen. Achten Sie darauf, dass die Mündung des Gerätes nicht in die Nähe von Personen, Händen oder Füßen kommt.
- 2.11 Richten Sie die Mündung des Gerätes nie gegen Personen. Gehen Sie immer davon aus, dass sich Nägel im Werkzeug befinden. Wenn die Mündung des Naglers auf Person gerichtet wird, kann es zu schweren Unfällen kommen, sollte das Werkzeug aus Versehen auslösen. Achten Sie beim Anschließen und Abtrennen des Akkus, während des Nachladens von Nägeln oder bei ähnlichen Vorgängen darauf, dass der Nagelauslass nicht auf eine Person gerichtet ist (einschließlich Sie selbst). Selbst wenn sich keine Nägel im Werkzeug befinden, ist es gefährlich, das Werkzeug auszulösen, während es auf jemanden gerichtet ist. Versuchen Sie dies also niemals. Das Werkzeug ist kein Spielzeug. Betrachten Sie das Werkzeug ausschließlich als Arbeitsmittel und gehen Sie entsprechend damit um.
- 2.12 Überprüfen Sie den Druckhebel vor Gebrauch. Vergewissern Sie sich, dass der Druckhebel ordnungsgemäß funktioniert. (Der Druckhebel kann als „Sicherheit“ bezeichnet werden.) Benutzen Sie den Nagler niemals, wenn der Druckhebel nicht ordnungsgemäß funktioniert, sonst könnte der Nagler unerwartet einen Nagel abschießen. Verändern Sie den Druckhebel nicht und entfernen Sie ihn nicht, sonst lässt sich der Druckhebel nicht mehr bedienen.
- 2.13 Gehen Sie sorgsam beim Anschluss des Akkus vor. Achten Sie beim Anschluss des Akkus und beim Laden von Nägeln auf Folgendes, damit es nicht zum versehentlichen Auslösen des Werkzeugs kommt.
- Berühren Sie auf keinen Fall den Auslöser.
 - Achten Sie darauf, dass die Mündung nicht mit irgendeinem Gegenstand in Berührung kommt.
 - Halten Sie die Mündung nach unten gerichtet. Beachten Sie unbedingt die obigen Anweisungen und sorgen Sie dafür, dass sich keine Körperteile, Hände oder Füße vor der Mündung des Gerätes befinden.
- 2.14 Berühren Sie niemals achtlos den Auslöser. Berühren Sie den Auslöser mit dem Finger nur beim Nageln. Wenn Sie das Gerät tragen oder jemandem überreichen während Sie den Finger am Auslöser haben, können Sie unbeabsichtigt einen Schuss auslösen und so einen Unfall verursachen.
- 2.15 Drücken Sie die Mündung fest gegen das zu nagelnde Material. Wenn Sie Nägel eintreiben, drücken Sie die Mündung fest gegen das zu nagelnde Material. Geschieht dies nicht sorgfältig, können die Nägel zurückschlagen.
- 2.16 Halten Sie Hände und Füße während des Arbeitens von der Mündung entfernt. Es ist sehr gefährlich, wenn ein

- Nagel durch einen Fehler in die Hände oder Füße eindringt.
- 2.17 Schützen Sie sich vor dem Rückschlag des Gerätes. Nähern Sie sich während des Arbeitens nicht mit dem Kopf oder anderen Körperteilen dem Oberteil des Gerätes. Dies ist gefährlich, da das Gerät heftig zurückschlagen kann, wenn ein Nagel auf einen vorher eingetriebenen oder auf einen Knoten im Holz trifft.
- 2.18 Nehmen Sie sich vor Doppelschüssen aufgrund des Rückstoßes in Acht. Wenn der Druckhebel nach dem Rückstoß versehentlich wieder mit dem Werkstück in Kontakt kommt, wird eventuell unabsichtlich ein Nagel ausgeschossen. Um diese unbeabsichtigten Doppelschüsse zu vermeiden.
- a. Periodischer Betrieb (Abzugauslösung)
- Stellen Sie die Schaltvorrichtung auf VOLLSEQUENZIELLER AUSLÖSEMECHANISMUS.
 - Ziehen Sie schnell und fest am Auslöser.
- b. Dauerbetrieb (Druckhebelauslösung)
- Drücken Sie den Nagler nicht mit übermäßiger Kraft gegen das Holz.
 - Lösen Sie den Nagler vom Holz, wenn der Rückstoß nach dem Nageln einsetzt.
- 2.19 Seien Sie vorsichtig beim Nageln von dünnen Brettern oder Holzkanten. Beim Nageln von dünnen Brettern können die Nägel durchschlagen, wie dies auch beim Nageln von Holzkanten durch Querschläger geschehen kann. Achten Sie in solchen Fällen darauf, dass sich niemand (auch keine Hände, Füße etc.) hinter dem Brett oder in der Nähe des Holzes, das Sie gerade nageln befindet.
- 2.20 Gleichzeitiges Nageln auf beiden Seiten einer Wand ist gefährlich. Unter keinen Umständen darf auf beiden Seiten derselben Wand gleichzeitig genagelt werden. Dies wäre gefährlich, da die Nägel durch die Wand schlagen könnten und so Verletzungen hervorrufen.
- 2.21 Verwenden Sie das Werkzeug nicht auf Gerüsten oder Leitern. Das Werkzeug darf für bestimmte Anwendungen nicht verwendet werden, z.B.:
- wenn Änderung des Eintreibungsortes die Verwendung von Gerüsten, Treppen, Leitern oder leiterähnlichen Konstruktionen beinhaltet, z.B. Lattenwerk;
 - schließen von Kästen oder Kisten;
 - angemessene Transportsicherheitssysteme, z.B. auf Fahrzeugen und Wägen.
- 2.22 Nehmen Sie alle verbleibenden Nägel und den Akku aus dem Nagler, wenn:
- Sie Wartungs- und Inspektionsarbeiten durchführen;
 - Sie die ordnungsgemäße Funktion von Druckhebel und Abzug prüfen;
 - Sie die Nasenabdeckung anbringen oder abnehmen;
 - Sie einen Stau beseitigen;
 - er nicht in Gebrauch ist;
 - Sie den Arbeitsbereich verlassen;
 - Sie ihn an einen anderen Ort bringen; und
 - wenn Sie ihn an eine andere Person übergeben. Versuchen Sie niemals, einen Stau zu beseitigen oder den Nagler zu reparieren, wenn Sie nicht den Akku und alle verbleibenden Nägel aus dem Nagler entfernt haben. Der Nagler sollte niemals unbeaufsichtigt bleiben, weil Personen, die nicht mit dem Nagler vertraut sind, ihn benutzen und sich dabei verletzen könnten.
- 2.23 Entnehmen Sie den Akku aus dem Nagler, wenn:
- a. Sie Nägel nachfüllen;
 - b. Sie den Einsteller drehen.
- 2.24 Die zulässige Betriebstemperatur dieses Gerätes liegt zwischen 0 °C und 40 °C. Achten Sie daher bitte darauf, das Gerät nur innerhalb dieses Temperaturbereiches zu betreiben. Es kann vorkommen, dass das Gerät unterhalb 0 °C oder oberhalb 40 °C nicht mehr arbeitet.
- 2.25 Keine Fremdkörper durch das Anschlussloch der Batterie eindringen lassen.
- 2.26 Lassen Sie es NIEMALS zu, dass Magnete (oder ähnliche magnetische Vor-

richtungen) sich neben dem Nagler befinden, da der Nagler über einen Magnetsensor im Innern verfügt. Das kann zu einem Versagen oder Verletzungsrisiko durch Fehlfunktion führen.

- 2.27 Lassen Sie das Gerät nach einer Dauerarbeit ruhen.
- 2.28 Das Werkzeug ist mit einer Temperatur-Schutzschalung ausgestattet, um den Motor zu schützen. Kontinuierliche Arbeit kann zu einem Temperaturanstieg des Werkzeugs führen, was die Temperatur-Schutzschalung aktiviert und den Betrieb automatisch stoppt. Sollte dies der Fall sein, lassen Sie das Werkzeug abkühlen, bevor Sie es wieder benutzen.
- 2.29 Dieses Produkt funktioniert möglicherweise nicht mehr, wenn eine Unregelmäßigkeit festgestellt wird.
- 2.30 Setzen Sie die Schalttafel nicht starken Erschütterungen aus oder beschädigen sie. Dies kann zu einer Fehlfunktion führen.

3. Vor der ersten Benutzung

Nehmen Sie das Gerät und alle Zubehörteile aus der Verpackung. Halten Sie die Verpackungsmaterialien von Kleinkindern fern. Es besteht Erstickungsgefahr!

4. Verpackungsinhalt

- 1x Akku Tacker
- 1x Bedienungsanleitung

5. Bestimmungsgemäßer Gebrauch

Dieses Gerät wurde zum Eintreiben von Nägeln in Holz oder ähnliches Material entwickelt. Benutzen Sie es ausschließlich für den vorgesehenen Verwendungszweck. Metall und asbesthaltige Werkstoffe dürfen nicht mit dem Gerät bearbeitet werden.

6. Wählen Sie Nägel / Klammern aus

(Siehe **Abb. B**)

- Nägel: max. länge 50 mm.
- Heftklammern: max. länge 40 mm.

7. Nägel / Klammern laden

Benutzen Sie nur die empfohlenen Nägel / Klammern. Nicht empfohlene Nägel / Klammern haben eine höhere Wahrscheinlichkeit um Ladestörungen zu verursachen.

- 7.1 Entfernen Sie den Akku **(3)** von der Nagelpistole.
- 7.2 Drücken Sie den Magazinhalter **(7)** ein und ziehen Sie das Magazingehäuse **(9)** zurück.
- 7.3 Füllen Sie das Magazin mit passenden Nägeln oder Klammern.
- 7.4 Überprüfen Sie ob die Nägel oder Klammern richtig eingelegt sind.
- 7.5 Schieben Sie das Magazin um es zu schließen und überprüfen Sie ob es eingerastet ist.
- 7.6 Setzen Sie den Akku auf die Maschine.

8. Gebrauchsanweisung (Nägeln oder Heften):

- 8.1 Stellen Sie vor dem Betrieb sicher, dass der Akku vollständig aufgeladen ist.
- 8.2 Prüfen Sie, ob die Nägel oder Heftklammern korrekt im Magazinlager platziert sind.
- 8.3 Halten Sie den Griff mit dem Magazin in einem Winkel von 90 Grad flach auf die Arbeitsoberfläche.
- 8.4 Die Maschine verfügt über zwei verschiedene Feuermodi: Einzel- und Kontaktf Feuer.
- 8.5 **Bei Einzelfeuer-Modus:**
 - Schieben Sie den Feuermodus-Schalter **(6)** nach links.
 - Drücken Sie den Sicherheitskontaktstift **(10)** gegen die Arbeitsfläche.
 - Drücken Sie den Abzug **(1)**, um die Klammer oder den Nagel abzufeuern. Lassen Sie den Abzugs- und Sicherheitskontaktstift nach dem Abfeuern los.
- 8.6 **Bei Kontaktf Feuer Modus:**
 - Schieben Sie den Feuermodus-Schalter **(6)** nach rechts.
 - Drücken Sie den Abzug **(1)**.
 - Drücken Sie den Sicherheitskontakt **(10)** gegen die Arbeitsfläche, um einen

- Nagel oder eine Heftklammer abzufeuern.
- Heben Sie das Gerät, bei noch gedrücktem Abzug, an und halten Sie es gegen den nächsten Bereich, in den Sie einen Nagel/Klammer abfeuern oder heften möchten.
- Wenn der Kontaktstift gegen die Arbeitsfläche gedrückt wird, wird das Gerät ausgelöst.

WARNUNG: Halten Sie den Auslöser nicht gedrückt, wenn der Nagler nicht verwendet wird.

9. Einstellen der Nageltiefe

Um sicherzustellen, dass alle Nägel bis zur gleichen Tiefe eindringen, achten Sie darauf, dass der Nagler immer fest gegen das Werkstück gehalten wird. Wenn die Nägel zu tief oder zu flach in das Werkstück eindringen, stellen Sie die Nagelfunktion in der folgenden Reihenfolge ein.

- 9.1 Nehmen Sie den Akku **(3)** aus dem Nagler.
- 9.2 Wenn die Nägel zu tief eindringen, drehen Sie das Einstellrad **(11)** zur flachen Seite. (Siehe **Abb. C**) Die Einstellung wird in Stufen von einer halben Umdrehung vorgenommen. Wenn die Nägel zu flach eindringen, drehen Sie das Einstellrad zur tiefen Seite.
- 9.3 Drehen Sie nicht mehr am Einstellrad, wenn eine geeignete Stellung für einen Nageltest erreicht ist.
- 9.4 Setzen Sie den Akku in den Nagler ein. Führen Sie einen Nageltest aus.

10. Entfernen eines Nagel/Klammer Verstopfung:

Sie müssen verstopfte Nägel / Klammern entfernen, bevor Sie das Werkzeug weiter verwenden. Andernfalls kann der Mechanismus beschädigt werden.

- a. Nehmen Sie den Akku **(3)** aus dem Werkzeug.
- b. Öffnen Sie das Magazin **(9)** und entfernen Sie die Nägel oder Klammern.
- c. Entfernen Sie die verstopften Klammern oder Nägel.

- d. Wenn das Gerät immer noch verstopft ist, lösen Sie die Sechskantschrauben am Lauf mit einem Schraubenschlüssel. Entfernen Sie dann die eingeklemmten Teile manuell. Benutzen Sie falls benötigt eine Zange.
- e. Ziehen Sie die Sechskantschrauben im Lauf wieder fest an, nachdem die verstopfte Nägel/Klammern erfolgreich entfernt wurden.
- f. Legen Sie die Heftklammern oder Nägel erneut ein, schließen Sie das Magazin und schieben Sie es wieder fest.

11. LED-Arbeitsleuchte

Beim Drücken des Abzugsschalters **(2)** schaltet sich die LED-Arbeitsleuchte **(12)** ein. Nach dem Loslassen des Abzugsschalters leuchtet die LED-Arbeitsleuchte noch etwa fünf Sekunden lang weiter und erlischt dann.

12. LED Statusanzeige

- Rote LED für Blinken: Nagel- / Heftklammerstau.
- Dauerhafte rote LED: Niedrige Batterie.
- Grüne LED für Blinken: Überhitzung.
- Dauerhafte grüne LED: Keine Nägeln.

13. Reinigung und Wartung

13.1 Reinigung

- Halten Sie Schutzvorrichtungen, Lüftungsöffnungen und Motorenhäuser so staub- und schmutzfrei wie möglich. Reiben Sie das Elektrowerkzeug mit einem sauberen Tuch ab oder blasen Sie es mit Druckluft bei niedrigem Druck aus.
- Wir empfehlen, dass Sie das Elektrowerkzeug direkt nach jeder Benutzung reinigen.
- Reinigen Sie das Elektrowerkzeug regelmäßig mit einem feuchten Tuch und etwas Schmierseife. Verwenden Sie keine Reinigungs- oder Lösungsmittel; diese könnten die Kunststoffteile des Elektrowerkzeuges angreifen. Achten Sie darauf, dass kein Wasser in das Innere des Elektrowerkzeuges gelangen kann.

- Entnehmen Sie vor allen Arbeiten am Gerät unbedingt den Akku.
- Reinigen Sie das Magazin. Entfernen Sie Staub und Holzspäne, die sich im Magazin angesammelt haben können.
- Reinigen Sie ihr Gerät gegebenenfalls mit einem feuchten Tuch. Benutzen Sie keine chemischen Reinigungsmittel, die aggressive Substanzen enthalten, da diese das Plastikgehäuse angreifen können. Achten Sie darauf, dass die Lüftungsschlitze immer sauber und offen bleiben.
- Inspektion der Befestigungsschrauben. Untersuchen Sie regelmäßig alle Befestigungsschrauben und stellen Sie sicher, dass sie richtig festgezogen sind. Sollte sich eine der Schrauben lockern, ziehen Sie sie sofort wieder fest an. Falls dies nicht getan wird, könnte das zu ernsthaften Gefahren führen.
- Die Wicklung des Motors ist das „Herzstück“ des Elektrowerkzeugs. Wenden Sie die gebotene Sorgfalt auf, um sicherzustellen, dass die Wicklung nicht beschädigt und/oder mit Öl oder Wasser benetzt wird.

13.2 Wartung

Im Geräterinneren befinden sich keine weiteren zu wartenden Teile.

14. Technische Daten

Akkuspannung: 18 V Li-Ion
 Schussgeschwindigkeit:
 60 Nägel/Nieten pro Minute
 Max. Magazininhalt:
 100 Nägel/Nieten
 Max. Nagellänge: 20–50 mm
 Max. Nietenlänge: 19–40 mm
 Gewicht: 2,8 kg
 Schalldruckpegel L_{pA} : 79,9 dB(A)
 Unsicherheit K_{pA} : 3 dB(A)
 Schalleistungspegel L_{WA} : 90,9 dB(A)
 Unsicherheit K_{WA} : 3 dB(A)
 Hand-Arm-Vibration Handgriff: . . 1,39 m/s²
 Unsicherheit K: 1,5 m/s²

14.1 Vibrationsstufe

Die in dieser Bedienungsanleitung angegebene Vibrationsemissionsstufe wurde mit einem standardisierten Test gemäß EN 60745 gemessen; Sie kann verwendet werden, um ein Werkzeug mit einem anderen zu vergleichen und als vorläufige Beurteilung der Vibrationsexposition bei Verwendung des Werkzeugs für die angegebenen Anwendungszwecke

- die Verwendung des Werkzeugs für andere Anwendungen oder mit anderem oder schlecht gewartetem Zubehör kann die Expositionsstufe erheblich erhöhen
- Zeiten, zu denen das Werkzeug ausgeschaltet ist, oder wenn es läuft aber eigentlich nicht eingesetzt wird, können die Expositionsstufe erheblich verringern

Schützen Sie sich vor den Auswirkungen der Vibration durch Wartung des Werkzeugs und des Zubehörs, halten Sie Ihre Hände warm und organisieren Sie Ihren Arbeitsablauf.

15. Entsorgung



Werter Kunde, bitte helfen Sie mit, Abfall zu vermeiden. Sollten Sie sich einmal von diesem Artikel

trennen wollen, so bedenken Sie bitte, dass viele seiner Komponenten aus wertvollen Rohstoffen bestehen und wiederverwertet werden können. Entsorgen Sie es daher nicht in die Mülltonne, sondern führen Sie es bitte Ihrer Sammelstelle für Wertstoffe zu.

15.1 Batterien

Denken Sie bei der Entsorgung von Batterien an den Umweltschutz. Wenden Sie sich zwecks einer umweltfreundlichen Entsorgung an die lokalen Behörden.

16. EG-Konformitätserklärung

Wir, die **Batavia B.V., Weth. Wassebaliestraat 6d, NL-7951 SN Staphorst**, erklären in alleiniger Verantwortung, dass das Produkt **Akku Tacker, Artikel Nr. 7063094, Modell Nr. BT-CSN001** den wesentlichen Schutzanforderungen genügt, die in den Europäischen Richtlinien **2014/30/EU Elektromagnetische Verträglichkeit (EMV), 2006/42/EG Maschinen, RoHS: 2011/65/EU** und deren Änderungen festgelegt sind. Für die Konformitätsbewertung wurden folgende harmonisierte Normen herangezogen:

EN60745-1:2009+A11:2010

EN60745-2-16:2010

AfPS GS 2014:01

EN55014-1:2006+A2:2011

EN55014-2:2015

Staphorst, den 1. April 2019



Meino Seinen, Qualitätsbeauftragter
Batavia B.V., Weth. Wassebaliestraat 6d,
7951 SN Staphorst, Niederlande
Das Produkt und das Benutzerhandbuch
können geändert werden. Die technischen
Daten können ohne Vorankündigung geän-
dert werden.

Cher client

Les manuels d'utilisation contiennent des consignes importantes pour la manipulation de votre nouveau produit. Ils vous permettent d'utiliser toutes les fonctions, d'éviter des erreurs de compréhension et de prévenir les dommages.

Veillez prendre le temps de lire tranquillement ce manuel d'utilisation et conservez-le jalousement pour une consultation ultérieure.

Batterie et chargeur non inclus!

La batterie est disponible séparément sous N° d'art. : 7062517 (2Ah) ou 7062518 (4Ah).

Le chargeur est disponible séparément sous N° d'art. : 7062519.

Ces articles sont disponibles en ligne et dans les magasins participants.

1. Explication des symboles

Les symboles suivants sont utilisés dans le manuel d'utilisation ou apposés sur le produit :



AVERTISSEMENT : pour réduire les risques de blessures, veuillez lire le mode d'emploi.



Indique un risque de blessures, un danger mortel ou un risqué d'endommagement de l'outil en cas du non-respect des consignes de ce mode d'emploi.



Portez en permanence une protection auditive. L'exposition au bruit peut provoquer des pertes d'audition.



Portez un masque anti-poussière. Le travail du bois et d'autres matériaux peut générer des poussières nocives pour la santé. Les matériaux contenant de l'amiante ne doivent pas être utilisés.



Portez des lunettes de protection. Les étincelles provoquées par le travail ou les éclats, les copeaux et les poussières provenant de l'appareil électrique peuvent entraîner la perte de la vue.



CE est l'abréviation de "Conformité Européenne", ce qui signifie "conforme aux directives de l'Union Européenne". Le fabricant confirme par le marquage CE que cet appareil électrique correspond aux directives européennes en vigueur.



Ne jetez pas les équipements électriques avec les ordures ménagères.

2. Avertissements de sécurité additionnels

- 2.1 Partez toujours du principe que l'outil contient des agrafes. Une mauvaise manipulation de la cloueuse peut déclencher une éjection accidentelle des attaches causant des blessures corporelles.
- 2.2 Ne pointez pas l'outil vers vous-même ni vers une autre personne. Un déclenchement inattendu entraîne l'éjection d'une agrafe pouvant blesser quelqu'un.
- 2.3 N'actionnez pas l'outil tant qu'il n'est pas fermement tenu contre la pièce à usiner. Si l'outil n'est pas au contact de la pièce à usiner, l'agrafe risque de dévier de votre cible.
- 2.4 Débranchez l'outil de la source d'alimentation si une agrafe reste coincée dans l'outil. La cloueuse peut être activée accidentellement si elle est branchée, lors du retrait d'une attache coincée.
- 2.5 Soyez vigilant lors du retrait d'une agrafe coincée. Le mécanisme peut être sous compression et l'agrafe peut être éjectée de force lorsque vous tentez de dégager un blocage.
- 2.6 Ne pas utiliser cette cloueuse pour la fixation des câbles électriques. La cloueuse n'est pas conçue pour l'installation de câbles électriques, dont elle peut endommager la gaine isolante, provoquant ainsi un choc électrique ou un début d'incendie.
- 2.7 Évitez les inflammations et les explosions. Vu que des étincelles peuvent se produire, il est dangereux d'utiliser l'appareil à proximité de laques, de couleurs, d'essence, de diluants, de fuel, de

- gaz, de colles ou d'autres substances inflammables similaires. Dans aucun cas, l'appareil ne doit être utilisé proche de pareils produits inflammables.
- 2.8 Protégez vos yeux à l'aide de lunettes de sécurité. Portez toujours des lunettes de sécurité si vous utilisez l'appareil et assurez que les personnes qui vous entourent en portent aussi. La possibilité que des fragments de clous qui sont mal enfoncés n'endommagent les yeux est un danger pour la vue. Vous trouvez des lunettes de sécurité dans chaque quincaillerie. Portez toujours des lunettes de sécurité ou un masque de sécurité si vous utilisez le cloueur. Les employeurs doivent veiller à ce que l'équipement de protection soit toujours porté.
- 2.9 Protégez vos oreilles. Veuillez porter des oreillettes lors de chaque usage du cloueur et veillez à ce que les personnes qui vous entourent en portent aussi.
- 2.10 Faites attention aux personnes qui travaillent proche de vous. Des clous qui sont mal enfoncés représentent un danger pour les personnes qui vous entourent. Veillez toujours à ne pas trop rapprocher votre corps, vos mains ou vos pieds du déclencheur.
- 2.11 Ne pointez jamais l'orifice de décharge en direction.
- 2.12 Vérifier avant l'utilisation du levier de poussée. S'assurer que le levier de poussée fonctionne correctement. (Le levier de poussée est désigné par le terme « Sécurité ».) Ne jamais utiliser la cloueuse si le levier de poussée ne fonctionne pas correctement, sinon la cloueuse pourrait faire sortir une attache de manière inattendue. Ne modifier ni ne retirer le levier de poussée, sinon il devient inutilisable.
- 2.13 Être prudent en branchant la batterie. Pour assurer qu'aucun clou n'est tiré lors du branchement de la batterie et du chargement des clous, respecter les instructions suivantes.
- ne touchez pas la détente.
- évitez de toucher l'orifice de décharge.
 - pointez l'orifice de décharge vers le bas. Respectez rigoureusement les instructions ci-dessus et ne placez jamais vos mains, jambes ou toute partie de votre corps en face de l'orifice de décharge.
- 2.14 Ne touchez pas imprudemment la détente. Ne posez pas votre doigt sur la détente si vous ne clouez pas. Si vous portez l'appareil ou si vous le passez à une autre personne tout en gardant le doigt sur la détente, vous pouvez causer un accident.
- 2.15 Pressez l'orifice de décharge fortement contre le matériel à fixer. En enfonçant des clous, pressez l'orifice de décharge fortement contre le matériel à fixer. Si l'orifice est mal-posé, les clous peuvent rebondir.
- 2.16 Éloigner les mains et les pieds de la tête de clouage pendant l'utilisation. Il serait très dangereux qu'un clou frappe les mains ou les pieds par erreur.
- 2.17 Évitez les contrecoups du cloueur. Évitez d'approcher le haut du cloueur avec la tête pendant que vous clouez. Ceci est dangereux puisque l'appareil peut reculer violemment touchant un ancien clou enfoncé ou un nœud dans le bois.
- 2.18 Faites attention au double déclenchement dû au recul. Si le levier de poussée est remis par inadvertance en contact avec la pièce d'ouvrage suivant le recul, une attache non-souhaitée risque d'être envoyée. Afin d'éviter ce double déclenchement non-souhaité,
- a. Fonctionnement intermittent (déclenchement de la gâchette)
- Régler le dispositif de commutation sur MÉCANISME D'ACTIVATION SÉQUENTIELLE COMPLÈTE.
 - Appuyer sur la gâchette rapidement et fermement.
- b. Fonctionnement en continu (déclenchement du levier de poussée)
- Ne pas presser la cloueuse contre le bois avec une force excessive.
 - Séparer la cloueuse du bois au moment du recul après avoir posé une attache.

- 2.19 Soyez prudents en clouant des planches minces ou les bords du bois. En clouant des planches minces ou les bords du bois, les clous peuvent passer à travers ou être déviés. Dans ces cas, assurez-vous qu'il n'y a personne derrière le panneau ou proche du bois que vous êtes en train de clouer.
- 2.20 Il est dangereux de clouer simultanément sur les deux côtés d'un mur. Il faut absolument éviter de clouer en même temps sur les deux côtés d'un mur puisque les clous peuvent passer à travers et causer ainsi de blessures.
- 2.21 Ne pas utiliser l'outil électrique sur des échafaudages ou des échelles. Ne pas utiliser l'outil pour des applications spécifiques, par exemple:
- lorsque le changement d'une position de clouage fait intervenir l'utilisation d'échafaudages, d'escaliers, d'échelles ou de toute autre construction de type échelle, par ex. des lattes de pied,
 - la fermeture de boîtes ou de caisses,
 - la fixation de systèmes de sécurité, par ex. sur des véhicules ou des wagons.
- 2.22 Retirer toutes les attaches restantes et la batterie de la cloueuse dans les situations suivantes :
- entretien et inspection ;
 - vérification du bon fonctionnement du levier de poussée et de la gâchette ;
 - fixation ou retrait du capuchon de bec ;
 - suppression d'un bourrage ;
 - non utilisation ;
 - sortie de la zone de travail ;
 - transport vers un autre endroit ; et
 - transmission de l'outil à une autre personne. Ne jamais tenter d'éliminer un bourrage ou de réparer la cloueuse, à moins d'avoir enlevé la batterie et toutes les attaches restantes de la cloueuse. La cloueuse ne doit jamais être laissée sans surveillance, dans la mesure où des personnes ne sachant pas utiliser correctement la cloueuse peuvent la manipuler et risquer de se blesser.
- 2.23 Retirer la batterie de la cloueuse dans les situations suivantes :

- a. chargement de clous ;
 - b. manipulation du dispositif de réglage.
- 2.24 L'environnement de fonctionnement de cet appareil se situe entre 0 °C et 40 °C ; veiller à l'utiliser dans cet intervalle de températures. L'appareil est susceptible de mal fonctionner à une température inférieure à 0 °C ou supérieure à 40 °C.
- 2.25 Empêchez la poussière ou la saleté de pénétrer dans l'ouverture de connexion de la batterie.
- 2.26 Ne JAMAIS laisser d'aimants (ou appareils magnétiques similaires) à proximité de la cloueuse, car cette dernière est dotée d'un capteur magnétique à l'intérieur. Cela risque de provoquer une panne ou un risque de blessures par dysfonctionnement.
- 2.27 Repos de l'appareil après un travail continu.
- 2.28 L'outil électrique est équipé d'un circuit de protection thermique pour protéger le moteur. Une utilisation en continu risque de provoquer une augmentation de la température de l'appareil et d'activer le circuit de protection thermique, ainsi que d'arrêter automatiquement le fonctionnement. Dans ce cas, laissez l'appareil électrique refroidir avant de reprendre l'utilisation.
- 2.29 Ce produit peut cesser de fonctionner lorsqu'une anomalie est détectée.
- 2.30 Ne pas faire subir de choc violent au panneau de commande ni le casser. Cela risque d'entraîner un dysfonctionnement.

3. Avant la première utilisation

Retirez la machine et les accessoires de l'emballage. Conservez les matériaux d'emballage hors de la portée des enfants. Il y a un risque d'étouffement !

4. Contenus de l'emballage

- 1× Agrafeuse sans fil
- 1× Manuel d'instructions

5. Usage prévu

Cet appareil a été construit pour enfoncer des clous dans du bois ou des matériaux similaires. Utilisez-le seulement pour les emplois désignés.

Les métaux et les matériaux contenant de l'amiante ne doivent pas être traités avec la machine.

6. Sélection ongles / agrafes

(Voir Fig. B)

- Clous: Longueur max. 50 mm.
- Agrafes: Longueur max. 40 mm.

7. Chargement des ongles / agrafes

Utilisez uniquement les clous / agrafes recommandés. Les clous et les agrafes non recommandés risquent davantage de se coincer dans le pistolet nul.

- 7.1 Libérer la batterie (3) du pistolet à clous.
- 7.2 Enfoncez le loquet du magasin (7) et retirez le boîtier du magasin (9).
- 7.3 Remplissez le magasin avec des clous ou des agrafes appropriés.
- 7.4 Vérifiez que les ongles ou les agrafes sont correctement placés dans le magasin.
- 7.5 Faites glisser la coulée du magazine pour la fermer et vérifiez qu'elle est bien enclenchée.
- 7.6 Remplacer la batterie.

8. Opération

- 8.1 Avant de commencer, assurez-vous que la batterie est complètement chargée.
- 8.2 Vérifiez si les clous ou les agrafes sont correctement placés dans le magasin.
- 8.3 Tenez la poignée fermement avec le magasin à plat sur la surface de travail à un angle de 90 degrés.
- 8.4 La cloueuse parisienne a deux modes de tir : tir unique et contact.

8.5 Pour le mode de tir unique:

- Poussez le sélecteur de mode de tir (6) vers la gauche.
- Appuyez sur la goupille du contact de sécurité (10) contre la surface de travail.

- Appuyez sur la gâchette (1) pour tirer l'agrafe ou le clou. Relâchez la gâchette et la goupille du contact de sécurité après le déclenchement.

8.6 Pour le mode de mise à feu par contact:

- Poussez le sélecteur de mode de tir (6) vers la droite.
- Appuyez sur la gâchette (1).
- Appuyez le contact de sécurité (10) contre la surface de travail pour enfoncer un clou ou une agrafe.
- La gâchette étant enfoncée, relevez l'appareil et appuyez dessus contre la zone suivante dans laquelle vous souhaitez enfoncer un clou ou une agrafe.
- Lorsque la broche de contact est appuyée contre la surface de travail, l'appareil se déclenche.

AVERTISSEMENT: Ne maintenez pas la gâchette enfoncée lorsque la cloueuse parisienne n'est pas utilisée.

9. Réglage de la profondeur de clouage

Pour s'assurer que chaque clou pénètre jusqu'à la même profondeur, faire en sorte que la cloueuse soit toujours maintenue fermement contre la pièce d'ouvrage. Si les clous sont enfoncés trop profondément ou pas assez dans la pièce d'ouvrage, régler le clouage en suivant l'ordre suivant.

- 9.1 Retirer la batterie (3) de la cloueuse.
- 9.2 Si les clous sont enfoncés trop profondément, tourner le dispositif de réglage (11) vers le côté peu profond. Les réglages se font par incréments d'un demi-tour. Si les clous ne sont pas enfoncés assez profondément, tourner le dispositif de réglage vers le côté profond. (Voir Fig. C).
- 9.3 Arrêter de tourner le dispositif de réglage lorsqu'une position convenable est atteinte pour un test de clouage.
- 9.4 Connecter la batterie à la cloueuse. Effectuer un test de clouage.

10. Retrait d'un clou ou d'une agrafe coincé

Vous devez retirer tout clou / agrafe coincé avant d'utiliser l'outil plus loin. Sinon, cela pourrait endommager le mécanisme.

- Retirez la batterie **(3)** de l'outil.
- Ouvrez le magasin **(9)** et retirez les clous ou les agrafes du canal.
- Dégagez l'agrafe ou le clou coincé.
- Si le clou ou l'agrafe reste coincé après avoir suivi ce qui précède desserrez légèrement les vis à tête hexagonale du nez avec une clé. Retirez ensuite les morceaux coincés manuellement. Pincers peut être utilisé si nécessaire.
- Resserrer fermement les vis à tête hexagonale du nez après la clou coincé a été retiré avec succès.
- Rechargez les agrafes ou les clous, fermez le magasin et réinsérez-le dans la cloueuse.

11. Éclairage de travail

Lorsque le commutateur à gâchette **(2)** est enfoncé, le témoin de fonctionnement **(12)** s'allume. Lorsque le commutateur à gâchette est relâché, le témoin de fonctionnement s'éteint après environ cinq secondes.

12. Indicateur d'état

- DEL rouge clignotante: les ongles / agrafes sont bloqués.
- DEL rouge constante: batterie presque vide.
- DEL vert clignotante: surchauffe.
- DEL vert constante: pas de clous ni d'agrafes.

13. Nettoyage et maintenance

13.1 Nettoyage

- Les équipements de protection, les fentes de ventilation et le carter du moteur doivent rester aussi propres que possible, sans poussière ni salissures. Nettoyez l'appareil électrique avec un chiffon propre ou en soufflant de l'air comprimé à faible pression.

- Nous conseillons de nettoyer l'appareil électrique immédiatement après chaque utilisation.
- Nettoyez régulièrement l'appareil électrique avec un chiffon humide et un peu de savon noir. N'utilisez ni détergents ni solvants ; ceux-ci pourraient attaquer les parties en plastique de l'appareil. Veillez à empêcher la pénétration d'eau à l'intérieur de l'appareil électrique.
- Sortez la batterie avant d'entreprendre un travail de nettoyage ou d'entretien.
- Nettoyez l'arbre souple avec de l'eau tiède et un peu de détergent et laissez-le sécher complètement à l'état déployé. Après le séchage, huilez légèrement l'arbre souple.
- Nettoyez l'appareil uniquement avec un chiffon humide. N'utilisez pas des produits chimiques agressifs ou des produits abrasifs, car ils pourraient dissoudre les pièces en plastique. Gardez toujours les fentes de ventilation propres et exemptes d'obstructions.
- Vérifier régulièrement toutes les vis de fixation et s'assurer qu'elles sont bien serrées. S'il advient qu'une vis se desserre, la resserrer immédiatement. Le fait de négliger ce point pourrait entraîner de graves dangers.
- Le bobinage de l'ensemble moteur est le « cœur » même de l'outil électrique. Veiller soigneusement à ce que ce bobinage ne soit pas endommagé et/ou mouillé par de l'huile ou de l'eau.

13.2 Maintenance

Il n'y a aucune autre pièce nécessitant un entretien à l'intérieur de l'appareil.

14. Caractéristiques techniques

Tension nominale: 18 V Li-Ion
 Vitesse de tir: 60 clous/agrafes de min
 Max. capacité de magasin:
 100 clous/agrafes
 Longueur clous max.: 20–50 mm
 Longueur agrafes max.: 19–40 mm
 Poids: 2,8 kg
 Niveau de pression acoustique
 pondéré L_{PA} : 79,9 dB(A)
 Incertitude K_{PA} : 3 dB(A)
 Niveau de puissance acoustique
 pondéré L_{WA} : 90,9 dB(A)
 Incertitude K_{WA} : 3 dB(A)
 Vibrations transmises aux
 mains et aux bras: 1,39 m/s²
 Incertitude K: 1,5 m/s²

14.1 Niveau de vibrations

Le niveau de vibrations émises indiqué en ce manuel d'instruction a été mesuré conformément à l'essai normalisé de la norme EN 60745; il peut être utilisé pour comparer plusieurs outils et pour réaliser une évaluation préliminaire de l'exposition aux vibrations lors de l'utilisation de l'outil pour les applications mentionnées

- l'utilisation de l'outil dans d'autres applications, ou avec des accessoires différents ou mal entretenus, peut considérablement augmenter le niveau d'exposition
- la mise hors tension de l'outil et sa non-utilisation pendant qu'il est allumé peuvent considérablement réduire le niveau d'exposition

Protégez-vous contre les effets des vibrations par un entretien correct de l'outil et de ses accessoires, en gardant vos mains chaudes et en structurant vos schémas de travail.

15. Élimination et recyclage



N'éliminez pas les appareils électriques via les ordures ménagères.

L'appareil électrique se trouve dans un emballage afin d'éviter tout dommage pendant le transport. Cet emballage est une matière première et peut donc être réutilisé

ultérieurement ou être réintroduit dans le circuit des matières premières. L'appareil électrique et ses accessoires sont composés de métaux et des matières plastiques. Éliminez les composants défectueux via les systèmes d'élimination des déchets spéciaux. Renseignez-vous dans un magasin spécialisé ou auprès de l'administration de votre commune!

15.1 Batteries

Lors de l'élimination des batteries, pensez à la protection de l'environnement. Pour une élimination écologique, adressez-vous aux autorités locales.

16. CE-Déclaration de conformité

Nous, **Batavia B.V., Weth. Wassebaliestraat 6d, NL-7951 SN Staphorst**, déclarons sous notre seule responsabilité que le produit **Agrafeuse sans fil, N° d'article: 7063094, modèle BT-CSN001**, satisfait les principales exigences de protection définies dans les directives européennes **compatibilité électromagnétique 2014/30/EU (CEM), 2006/42/CE (machines), RoHS: 2011/65/EU** ainsi que les modifications y apportées. Pour évaluer la conformité nous avons eu recours aux normes harmonisées ci-dessous:

EN60745-1:2009+A11:2010

EN60745-2-16:2010

AfPS GS 2014:01

EN55014-1:2006+A2:2011

EN55014-2:2015

Staphorst, le 1 avril 2019

Meino Seinen, Responsable de qualité
 Batavia B.V., Weth. Wassebaliestraat 6d,
 7951 SN Staphorst, Pays-Bas

Le produit et le manuel utilisateur peuvent être modifiés. Les caractéristiques techniques peuvent être modifiées sans préavis.

Geachte klant

Gebruikershandleidingen verstrekken nuttige tips m.b.t. gebruik van uw nieuwe apparaat. Ze helpen u alle functies te gebruiken, misverstanden te voorkomen en beschadiging te vermijden. Neem de tijd deze handleiding zorgvuldig te lezen en bewaar het als naslagwerk.

Lees alstublieft alle veiligheidsinstructies!

Deze handleiding bevat belangrijke informatie over het bedienen en hanteren van het apparaat. Bewaar deze gebruiksaanwijzing voor verdere verwijzing. Gelieve het samen met het toestel door te geven als deze aan derden wordt overhandigd.

Batterij en oplader niet inbegrepen.

De batterij is leverbaar onder art. nr.: 7062517 (2Ah) en 7062518 (4Ah).

De oplader is leverbaar onder art. nr.: 7062519.

Deze items zijn verkrijgbaar in deelnemende winkels en online.

1. Uitleg van de symbolen

De volgende symbolen worden gebruikt in de gebruikershandleiding of op het product:



WAARSCHUWING – Lees de gebruiksaanwijzing om het risico op letsel te verminderen.



Gevaar voor lichamelijk letsel of materiële schade wanneer de instructies in deze handleiding niet worden opgevolgd.



Draag altijd gehoorbescherming. Blootstelling aan lawaai kan leiden tot gehoorbeschadiging.



Draag een stofmasker. Bij het bewerken van hout en andere materialen kunnen schadelijk stoffen vrijkomen. Er mogen geen asbesthoudende materialen worden verwerkt!



Draag een veiligheidsbril. Vonken die tijdens het werk ontstaan, of van de machine afkomstige splinters, spaanders en stof kunnen leiden tot oogbeschadiging.

CE CE staat voor: „Conformité Européenne”. Dit betekent: „Voldoet aan EU-richtlijnen”. Met de CE-markering bevestigt de fabrikant dat deze machine voldoet aan de geldende Europese richtlijnen.



De machine mag niet worden afgevoerd met het huishoudelijk afval.

2. Aanvullende veiligheidsvoorschriften

- 2.1 Ga er altijd van uit dat het gereedschap geladen is. Onvoorzichtigheid bij werkzaamheden met het spijkerpistool kunnen resulteren in het onverwacht afschieten van bevestigingsmiddelen en persoonlijk letsel veroorzaken.
- 2.2 Richt het gereedschap niet naar uzelf of naar een andere persoon in de buurt. Wanneer het gereedschap per ongeluk wordt bediend, kan dit letsel veroorzaken.
- 2.3 Activeer het gereedschap niet tenzij dit stevig tegen het werkstuk is geplaatst. Als het gereedschap niet in contact is met het werkstuk, kan de niet de verkeerde kant op worden geschoten.
- 2.4 Koppel het gereedschap los van de voeding wanneer een spijker vastloopt in het gereedschap. Tijdens het verwijderen van een vastgelopen bevestigingsmiddel, kan het spijkerpistool per ongeluk worden ingeschakeld als het is aangesloten.
- 2.5 Ga voorzichtig te werk bij het verwijderen van een vastgelopen niet. Het mechanisme kan nog onder druk staan en de niet zou met kracht afgeschoten kunnen worden wanneer u deze uit de vastgelopen positie probeert te verwijderen.
- 2.6 Gebruik dit spijkerpistool niet voor het bevestigen van elektrische kabels. Het nietapparaat is niet ontworpen voor de montage van elektrische kabels en kan de isolatie van de kabels beschadigen met een elektrische schok of brand tot gevolg.
- 2.7 Wees beducht voor ontsteking- en ontploffingsgevaar. Omdat tijdens het spij-

keren vonken geslagen kunnen worden, is het gevaarlijk om dit pneumatisch gereedschap te gebruiken in de buurt van lak, verf, benzine, thinner, gasolie, gas, lijmsoorten, en vergelijkbaar ontvlambare materialen die door de vonken zouden kunnen ontvlammen of exploderen. Onder geen enkele voorwaarde mag dit pneumatisch gereedschap daarom gebruikt worden in de nabijheid van dergelijke ontvlambare materialen.

- 2.8 Draag altijd uw oogbescherming (veiligheidsbril). Draag altijd uw oogbescherming wanneer u met dit pneumatisch gereedschap werkt, en zorg ervoor dat de mensen in uw omgeving hetzelfde doen. De mogelijkheid dat rondvliegende spijkers die niet goed geraakt werden in uw oog terecht komen is een bedreiging voor uw gezichtsvermogen. Oogbescherming is verkrijgbaar in elke gereedschapswinkel. Draag altijd een vorm van oogbescherming wanneer u met dit apparaat werkt. Er zijn speciale maskers of veiligheidsbrillen die over uw bril passen. Werkgevers behoren er op toe te zien dat oogbescherming gedragen wordt op de werkplek.
- 2.9 Bescherm uw hoofd en uw oren. Draagt u alstublieft een helm en oorbeschermers als u spijkerwerk doet. Let u er ook op dat de mensen rondom u, afhankelijk van de omstandigheden, hun helmen en oorbeschermers dragen.
- 2.10 Let op de mensen die dicht bij u werken. Het zou bijzonder gevaarlijk kunnen zijn als spijkers die niet goed ingeslagen zijn anderen zouden kunnen raken. Let daarom ook altijd op de veiligheid van de mensen rondom u wanneer u met dit pneumatisch gereedschap werkt. Let er altijd op dat er niet iemands lichaam, hand of voet dichtbij de spijker-uitgang is.
- 2.11 Richt het spijkerpistool nooit op iemand. Ga er altijd van uit dat het apparaat geladen is. Indien het apparaat op personen wordt gericht kunnen ernstige ongelukken worden veroorzaakt, bijvoorbeeld wanneer u per ongeluk het apparaat aanzet. Bij het aansluiten en loskoppelen van de accu, tijdens het laden van spijkers of soortgelijke handelingen, zorg ervoor dat de spijker-uitgang niet naar iemand gericht is (inclusief uzelf). Zelfs wanneer er geen spijkers in het apparaat zitten is het gevaarlijk om het apparaat af te doen gaan terwijl het in de richting van een persoon wijst; probeer dat dus niet. Geen geintjes. Heb respect en ontzag voor het gereedschap waar u mee werkt.
- 2.12 Controleer de hendel vóór gebruik. Zorg ervoor dat de hendel goed functioneert. (De hendel kan „Veiligheid” worden genoemd.) Gebruik het spijkerpistool nooit tenzij de hendel goed functioneert, anders kan het spijkerpistool onverwachts een bevestigingsmiddel vernagelen. Verwijder of knoei niet met de hendel, anders wordt de hendel onbruikbaar.
- 2.13 Wees voorzichtig bij het aansluiten van de batterij. Let op de volgende punten om te voorkomen dat het apparaat per ongeluk afgaat wanneer u de batterij bevestigt en spijkers laadt.
- Raak de trekker niet aan.
 - Laat de kop van het apparaat niet in contact komen met enig oppervlak.
 - Houd de kop van het apparaat naar beneden gericht. Volg bovenstaande instructies zorgvuldig op en let er altijd op dat er zich geen lichaamsdelen, handen of benen voor de spijker-uitgang bevinden.
- 2.14 Houd niet achteloos uw vinger aan de trekker. Breng uw vinger alleen aan de trekker wanneer u inderdaad gaat spijkeren. Als u dit pneumatisch gereedschap draagt, of u geeft het aan iemand anders met uw vinger aan de trekker, kunt u per ongeluk een spijker afschieten en een ongeval veroorzaken.
- 2.15 Druk de spijker-uitgang stevig tegen het te spijkeren materiaal. Druk de spijker-uitgang stevig tegen het te spijkeren materiaal wanneer u gaat spijkeren. De spijkers kunnen terugkaatsen als u de spijker-uitgang niet goed houdt.

- 2.16 Houd handen en voeten weg van de kop van het apparaat wanneer er gespikerd wordt. Het kan ernstige gevolgen hebben wanneer een spijker per ongeluk een hand of voet raakt.
- 2.17 Wees bedacht op de terugslag van het pneumatisch gereedschap. Breng uw hoofd of andere lichaamsdelen niet dicht bij de bovenkant van het apparaat terwijl het in werking is. Dit is gevaarlijk omdat het apparaat een krachtige terugslag kan geven als bijvoorbeeld de spijker die wordt ingedreven een oude spijker of een knoest in het hout raakt.
- 2.18 Wees voorzichtig met dubbel afschieten door terugslag. Als de hendel per ongeluk opnieuw in contact komt met het werkstuk na terugslag, wordt een ongewenste bevestiging vernageld. Om dit ongewenste dubbel afschieten te voorkomen.
- a. Intermitterende bediening (enkelvoudig vuren)
- Stel het schakelbedieningsapparaat in op VOLLEDIG OPEENVOLGEND BEDIENINGSMECHANISME.
 - Haal de trekker snel en stevig over.
- b. Continue bediening (contact vuren)
- Druk het spijkerpistool niet met overdreven kracht tegen het hout.
 - Scheid het spijkerpistool van het hout bij terugslag na het bevestigen.
- 2.19 Wees voorzichtig wanneer u dun plaatmateriaal of de hoeken van een stuk hout gaat spijkeren. Wanneer u dun plaatmateriaal spijkt, kunnen de spijkers er dwars doorheen vliegen, wat ook kan gebeuren als u de hoek van een stuk hout spijkt en de spijker afketst. In dergelijke gevallen dient u ervoor te zorgen dat er zich niemand (en ook geen handen, voeten e.d.) achter het dunne plaatmateriaal of naast het hout dat u wilt spijkeren bevindt.
- 2.20 Tegelijkertijd spijkeren aan beide zijden van een wand is gevaarlijk. Onder geen enkele voorwaarde mag u aan beide zijden van een wand samen met iemand anders staan te spijkeren. Dit kan bijzonder gevaarlijk zijn daar de spijkers door de wand kunnen dringen en zo verwondingen kunnen veroorzaken.
- 2.21 Gebruik het gereedschap niet op stellingen, ladders. Het gereedschap mag niet worden gebruikt in bijvoorbeeld de volgende gevallen:
- wanneer u van de ene spijkerplaats naar de andere moet via een steiger, trap, ladder of via dergelijke constructies, bijv. lattenwerk,
 - dichtmaken van dozen of kratten,
 - vastzetten van veiligheidssystemen voor het vervoer enz. op voertuigen en wagons.
- 2.22 Verwijder alle resterende bevestigingen en de accu uit het spijkerpistool wanneer:
- u bezig bent met inspectie en onderhoud;
 - u controleert op goede werking van hendel en trekker;
 - u de dop bevestigt of verwijdert;
 - u een verstopping verhelpt;
 - het apparaat niet in gebruik is;
 - u uw werkgebied verlaat;
 - u het apparaat naar een andere locatie verplaatst; en
 - u het apparaat aan een ander geeft.
- Probeer het apparaat nooit te repareren of een storing te verhelpen als u de accu en de resterende bevestigingen niet hebt verwijderd van het apparaat. Het spijkerpistool mag nooit zonder toezicht worden achtergelaten aangezien mensen die niet bekend zijn met het apparaat, het misschien gebruiken en zichzelf kunnen verwonden.
- 2.23 Verwijder de accu uit het spijkerpistool wanneer:
- a. u spijkers laadt;
- b. u aan de stelschroef draait.
- 2.24 Dit apparaat dient te worden gebruikt in een omgeving met een temperatuur tussen de 0 °C en 40 °C. Het apparaat raakt mogelijk defect bij gebruik onder 0 °C of boven 40 °C.

- 2.25 Voorkom dat stof of vuil in de aansluitopening van de batterij terecht komt.
- 2.26 Laat NOOIT magneten (of soortgelijke magnetische apparaten) in de buurt van het spijkerpistool, want het apparaat heeft een magnetische sensor. Als u dit wel doet, zal dit leiden tot een storing of risico op letsel door verkeerd gebruik.
- 2.27 Laat het apparaat rusten na continu werk.
- 2.28 Het elektrische gereedschap is uitgerust met een temperatuurbeschermingscircuit om de motor te beschermen. Continu werk kan de temperatuur van het apparaat doen stijgen, waardoor het temperatuurbedrijvingscircuit wordt geactiveerd en de werking automatisch wordt gestopt. Als dit gebeurt, laat het apparaat dan afkoelen voordat u het weer gebruikt.
- 2.29 Dit product werkt mogelijk niet meer als er een storing is gedetecteerd.
- 2.30 Stel het bedieningspaneel niet bloot aan schokken en breek het niet. Dit kan leiden tot een storing.

3. Voor het eerste gebruik

Haal de machine en de accessoires uit de verpakking. Controleer de machine op transportschade en gebruik de machine niet in geval van schade. Houd het verpakkingsmateriaal uit de buurt van kinderen, risico op verstikking!

4. Inhoud van de verpakking

1x Niet- en spijkerpistool

1x Gebruiksaanwijzing

5. Beoogd gebruik

Dit niet- en spijkerpistool is ontworpen om spijkers en nieten in hout en vergelijkbare materialen te drijven. Gebruik het apparaat alleen voor dit doel.

Bewerk geen metaal en geen materialen die asbest bevatten.

6. Spijkers / nietjes selecteren

(Zie **Afb. B**)

- Spijkers: max. lengte 50 mm.
- Nietjes: max. lengte 40 mm.

7. Spijkers/ Nietjes laden

Gebruik alleen aanbevolen spijkers en nietjes. Niet aanbevolen spijkers en nietjes zullen vaker vastlopen in het magazijn.

- 7.1 Verwijder de accu (3) uit de machine.
- 7.2 Druk de magazijnpal (7) in en trek de magazijnbehuizing (9) naar achteren.
- 7.3 Vul het magazijn met geschikte Spijkers of nietjes.
- 7.4 Controleer of de spijkers/ nietjes correct in het magazijn zijn geplaatst.
- 7.5 Schuif het magazijn dicht en controleer of het op zijn plaats klikt.
- 7.6 Plaats de accu in de machine.

8. Ingebruikname

- 8.1 Controleer voor gebruik of de accu volledig opgeladen is.
- 8.2 Controleer of de spijkers of nietjes in het magazijn correct zijn geplaatst.
- 8.3 Houd de handgreep stevig vast met het magazijn plat op het werkoppervlak in een hoek van 90 graden.
- 8.4 Het spijkerpistool heeft twee schietsnelheden: enkelvoudig schieten en contactvuren.

8.5 Voor enkelvoudig vuren:

- Duw de schakelaar voor de instelling enkelvoudig of contact vuren (6) naar links.
- Druk de veiligheidscontactpen (10) op het werkoppervlak.
- Druk de trekker (1) in om het nietje of de spijker af te vuren. Laat vervolgens de trekker los en herhaal deze stappen om meerdere nietjes / spijkers af te vuren.

8.6 Voor contact vuren:

- Duw de schakelaar voor de instelling enkelvoudig of contact vuren (6) naar rechts.
- Druk de trekker (1).
- Druk de veiligheidscontactpen (10) op het werkoppervlak.
- Terwijl de trekker nog steeds ingedrukt is, tilt u het apparaat op en drukt u het apparaat op het volgende gebied waar u een nietje / spijker in wilt schieten.

- Wanneer de contactpen tegen het werkblad wordt gedrukt, zal deze direct afvuren.

Waarschuwing: Houd de trekker niet ingedrukt wanneer de machine niet in gebruik is.

9. De spijkerdiepte afstellen

Om er zeker van te zijn dat elke spijker door-dringt tot dezelfde diepte, zorgt u ervoor dat het spijkerpistool altijd stevig tegen het werkstuk wordt gedrukt. Als de spijkers te diep of ondiep in het werkstuk worden vernageld, past u het vernagelen dan aan in de volgende volgorde.

- 9.1 Verwijder de accu (3) uit het spijkerpistool.
- 9.2 Als de spijkers te diep worden vernageld, draait u de regelaar (11) naar links. Aanpassingen zijn in stappen van een halve draai. Als de spijkers te ondiep worden vernageld, draait u de regelaar naar rechts.
- 9.3 Stop het draaien van de regelaar wanneer een geschikte positie is bereikt voor een spijker-test.
- 9.4 Bevestig de accu in het spijkerpistool. Voer een spijker-test uit.

10. Vastgelopen spijker of nietje verwijderen

Vastgelopen spijkers/ nietjes moeten verwijderd worden voordat u het gereedschap gebruikt. Anders kan het mechanisme beschadigen.

- a. Verwijder de accu (3) uit het spijkerpistool.
- b. Open het magazijn (9) en verwijder de spijkers of nietjes in het kanaal.
- c. Verwijder de vastgelopen nietjes of spijkers.
- d. Als het nietje of de spijker vast blijft zitten na het volgen van de bovenstaande instructies, draai de inbus-schroeven op het neusstuk iets los met een inbusleutel. Verwijder vervolgens de vastgelopen stukken handmatig of met behulp van een tang.
- e. Draai vervolgens de inbus-schroeven in het neusstuk weer stevig vast.

- f. Herlaad de nietjes of spijkers, sluit het magazijn en plaats het terug in het spijkerpistool.

11. LED-werklamp

De LED-werklamp (12) verlicht het werkgebied tijdens de werkzaamheden.

Wanneer de aan/uit schakelaar (2) wordt ingedrukt, gaat de LED-werklamp (12) automatisch branden. Wanneer de aan/uit schakelaar wordt losgelaten, gaat de LED-werklamp na ongeveer vijf seconden uit.

12. LED statusweergave

- Knipperende rode LED: Nagel / nietje zit vast.
- Constant rode LED: Batterij bijna leeg.
- Knipperende groene LED: Oververhit.
- Constant groene LED: Geen nagels / nieten.

13. Reiniging en onderhoud

13.1 Reiniging

- Houd veiligheidsvoorzieningen, ventilatieopeningen en de behuizing van de motor zo goed mogelijk vrij van stof en vuil. Veeg de machine af met een schone doek of blaas hem uit met perslucht onder lage druk.
- Wij bevelen aan om de machine direct na ieder gebruik te reinigen.
- Reinig de machine regelmatig met een vochtige doek en een beetje zachte zeep. Gebruik geen reinigings- of oplosmiddelen; die kunnen de kunststof delen van de machine aantasten. Let erop dat er geen water in het binnenste van de machine kan komen.
- Verwijder de batterij voordat u reinigings- of onderhoudswerkzaamheden uitvoert.
- Reinig het magazijn. Verwijder stof en houtensnippers die zich kunnen hebben opgehoopt in het magazijn.
- Gebruik alleen een vochtige doek om de machine schoon te maken. Gebruik geen agressieve chemicaliën die plastic onderdelen of schuurmiddelen kunnen oplossen. Houd de ventilatiesleuven altijd schoon en vrij van abstracties.

- Controleer alle bevestigingsschroeven regelmatig en zorg ervoor dat ze goed aangedraaid zijn. Draai loszittende schroeven onmiddellijk vast. Doet u dit niet, dan kunnen ernstige gevaren het gevolg zijn.
- De motor is het "hart" van het elektrisch gereedschap. Let er daarom goed op dat de behuizing niet beschadigd raakt en/of nat wordt door olie of water.

13.2 Onderhoud

In het binnenwerk van de machine bevinden zich geen te onderhouden onderdelen.

14. Technische gegevens:

Nominale spanning: 18 V Li-Ion
 Schietsnelheid: . .60 spijkers/nietjes per min
 Max. magazijn capaciteit:
 100 spijkers/nietjes
 Max. lengte spijkers: 20–50 mm
 Max. lengte nietjes: 19–40 mm
 Gewicht: 2,8 kg
 Geluidsdruk niveau L_{pA} : 79,9 dB(A)
 Onzekerheid K_{pA} : 3 dB(A)
 Geluidsvermogen niveau L_{WA} : 90,9 dB(A)
 Onzekerheid K_{WA} : 3 dB(A)
 Hand arm vibratie: 1,39 m/s²
 Onzekerheid K: 1,5 m/s²

14.1 Trillingsniveau

Het trillingsemisssieniveau dat in deze gebruiksaanwijzing wordt vermeld, is gemeten conform een gestandaardiseerde test in EN 60745; deze mag worden gebruikt om twee machines met elkaar te vergelijken en als voorlopige beoordeling van de blootstelling aan trilling bij gebruik van de machine voor de vermelde toepassingen.

- Gebruik van de tool voor andere toepassingen, of met andere of slecht onderhouden accessoires, kan het blootstellingsniveau in aanzienlijke mate doen toenemen
- wanneer de machine is uitgeschakeld of wanneer deze loopt maar geen werk verricht, kan dit het blootstellingsniveau aanzienlijk reduceren

Bescherm uzelf tegen de gevolgen van trilling door de machine en de accessoires

te onderhouden, uw handen warm te houden en uw werkwijze te organiseren.

15. Afvalverwerking en hergebruik



De machine mag niet worden afgevoerd met het huishoudelijk afval.

De machine bevindt zich in een verpakking om transportschade te vermijden. Deze verpakking is grondstof en is dus herbruikbaar of kan weer in de grondstoffenkringloop teruggevoerd worden. De machine en zijn accessoires bestaan uit verschillende materialen, zoals bijv. metaal en kunststoffen. Voer defecte onderdelen af als gevaarlijke stoffen. Vraag bij de vakhandel of op het gemeentehuis om meer informatie!

Het product en de gebruiksaanwijzing kunnen wijzigen. De technische gegevens kunnen zonder voorafgaande aankondiging worden gewijzigd.

15.1 Batterijen

Denk bij het afvoeren van batterijen aan de bescherming van het milieu. Neem voor milieuvriendelijke afvoer contact op met de lokale overheid.

16. EG-Conformiteitsverklaring

Hiermee verklaren wij, **Batavia B.V., Wethouder Wassebaliestraat 6d, NL-7951 SN Staphorst**, dat het apparaat **Accu niet en spijkerpistool, Model BT-CSN001, Artikel Nr. 7063094** op grond van zijn ontwerp en bouwwijze en in de door ons in omloop gebrachte uitvoering voldoet aan de desbetreffend van toepassing zijnde fundamentele veiligheids- en gezondheidsvereisten van de EG-richtlijnen: **2014/30/EU** (Elektromagnetische compatibiliteit), **2006/42/EG** (Machines), **2011/65/EU**. Voor de evaluatie van de conformiteit zijn de volgende geharmoniseerde normen toegepast:

EN60745-1:2009+A11:2010

EN60745-2-16:2010

AfPS GS 2014:01

EN55014-1:2006+A2:2011

EN55014-2:2015

Staphorst, 1 april 2019



Technische documentatie bewaard door:

Meino Seinen, Batavia B.V.,
Weth.Wassebaliestraat 6d, 7951 SN
Staphorst, Nederland

Het product en de gebruiksaanwijzing kunnen wijzigen. De technische gegevens kunnen zonder voorafgaande aankondiging worden gewijzigd.

ONE BATTERY FOR 30+ TOOLS

MAXXPACK

18 V Cordless collection

30+
TOOLS



BATAVIA

2 YEAR WARRANTY

This product has got a 2 year warranty

Dear Client, if for any reason this product is not working, please ensure you contact our Client Service Centre. Ensure you have your original receipt of purchase. This warranty covers all defects in workmanship or materials in this Batavia product for a two year period from the date of purchase. The warranty does not cover any malfunction, or defect resulting from misuse, neglect, alteration, or repair.

Dieses Produkt hat 2 Jahre Garantie

Sehr geehrter Kunde, unsere Produkte unterliegen einer strengen Qualitätskontrolle. Sollte dieses Gerät nicht einwandfrei sein, so wenden Sie sich bitte immer zuerst an unseren Kunden-Service. Bitte bewahren Sie unbedingt den Kaufbeleg auf. Die Garantieleistung gilt nur für Material-oder Fabrikationsfehler. Ausgeschlossen sind Mängel die durch häufigen Gebrauch, missbräuchlicher und unsachgemäßer Behandlung oder Gewalteinwirkung verursacht worden sind.


Ce produit a 2 ans de garantie

Cher client, Si pour une raison quelconque, ce produit ne fonctionne pas, veuillez contacter notre Centre de service après-vente. Conservez le bon d'achat original. Cette garantie couvre tous les défauts de matériau et de main d'œuvre constatés sur ce produit Batavia pendant une période de deux ans à compter de la date d'achat. Les défauts de fonctionnement et autres résultant d'abus ou de mauvais emploi, de négligence, de modifications ou réparations non autorisées sont exclus de la garantie.

Dit product heeft 2 jaar garantie


Geachte klant, onze producten ondergaan een streng kwaliteitscontrole proces. Wanneer dit product niet correct functioneert, wend u zich alstublieft altijd eerst tot onze klantenservice. Bewaar altijd uw aankoopbewijs. De garantieservice is alleen van toepassing op materiaal- of productiefouten. Uitgesloten zijn gebreken veroorzaakt door intensief gebruik, misbruik en incorrecte behandeling of extern geweld.

Deutschland – Kundenservice – Montag bis Freitag von 9 bis 17 Uhr

 **01805 937 832***

**Other European countries – Customer Services /
Autres pays d'Europe – Service clientèle /
Overige landen Europa – Klantenservice**

Monday till Friday from 8 am until 4 pm / Lundi jusqu'à Vendredi
de 9 – 17 heure / Maandag t/m vrijdag van 9 tot 17 uur

 **00800 664 774 00**



*Nur €0,14 /Minute aus dem dt. Festnetz,
max. €0,42/Minute aus den Mobilfunknetzen

Model: BT-CSN001
Item-No.: 7063094
www.batavia.eu | info@batavia.eu

7063094/1