

# DISPLAY REFRIGERATOR



Item: 233788  
233795

You should read this user manual carefully before using the appliance.

Bevor Sie das Gerät in Betrieb nehmen, sollten Sie diese Gebrauchsanweisung aufmerksam lesen.

Alvorens de apparatuur in gebruik te nemen dient u deze gebruiksaanwijzing aandachtig te lezen.

Przed uruchomieniem urządzenia należy koniecznie dokładnie przeczytać niniejszą instrukcję obsługi.

Lisez attentivement ce mode d'emploi avant d'utiliser l'appareil .

Prima di utilizzare l'apparecchio in funzione leggere attentamente le istruzioni per l'uso.

Citiți cu atenție prezentul manual de utilizare înainte de folosirea aparatului.

Внимательно прочитайте руководство пользователя перед использованием прибора.

Πρέπει να διαβάσετε αυτές τις οδηγίες χρήσης προσεκτικά πριν χρησιμοποιήσετε τη συσκευή.



Keep these instructions with the appliance.  
Diese Gebrauchsanweisung bitte beim Gerät aufbewahren.  
Bewaar deze handleiding bij het apparaat.  
Zachowaj instrukcję urządzenia  
Gardez ces instructions avec cet appareil.  
Conservate le istruzioni insieme all'apparecchio.  
Păstrați manualul de utilizare alături de aparat.  
Хранить руководство вместе с устройством.  
Φυλάξτε αυτές τις οδηγίες μαζί με τη συσκευή.



For indoor use only.  
Nur zur Verwendung im Innenbereich.  
Alleen voor gebruik binnenshuis.  
Do użytku wewnątrz pomieszczeń.  
Pour l'usage à l'intérieur seulement.  
Destinato solo all'uso domestico.  
Doar pentru uz la interior.  
Использовать только в помещениях.  
Για χρήση μόνο σε εσωτερικό χώρο.




Dear Customer,

Thank you for purchasing this Arctic appliance. Read this manual carefully, paying particular attention to the safety regulations outlined below, before installing and using this appliance for the first time.

---

## Safety regulations

- This appliance is intended for commercial use.
- Only use the appliance for the intended purpose it was designed for as described in this manual.
- The manufacturer is not liable for any damage caused by incorrect operation and improper use.
- Keep the appliance and electrical plug away from water and other liquids. In the event the appliance falls into water, immediately remove the power plug from the socket. Do not use the appliance until it has been checked by a certified technician. Failure to follow these instructions will cause life threatening risks.
- Never attempt to open the housing of the appliance by yourself.
- Do not insert objects into the housing of the appliance.
- Do not touch the plug with wet or damp hands.
-  **Danger of electric shock!** Do not attempt to repair the appliance by yourself, repairs are only to be conducted by qualified personnel.
- **Never use a damaged appliance!** When it's damaged, disconnect the appliance from the socket and contact the retailer.
- **Warning!** Do not immerse the electrical parts of the appliance in water or other liquids.
- Never hold the appliance under running water.
- Regularly check the power plug and cord for any damage. When damaged it must be replaced by a service agent or similarly qualified person in order to avoid danger or injury.
- Make sure the cord does not come in contact with sharp or hot objects and keep it away from open fire. Never pull the power cord to unplug it from the socket, always pull the plug instead.
- Make sure that the power cord and/or extension cord do not cause a trip hazard.
- Never leave the appliance unattended during use.
- **Warning!** As long as the plug is in the socket the appliance is connected to the power source.
- Turn off the appliance before unplugging it from the socket.
- Connect the power plug to an easily accessible electrical socket so that in case of emergency the appliance can be unplugged immediately.
- Never carry the appliance by the cord.
- Do not use any extra devices that are not supplied together with the appliance.
- Only connect the appliance to an electrical outlet with the voltage and frequency mentioned on the appliance label.
- Never use accessories other than those recommended by the manufacturer. Failure to do so could pose a safety risk to the user and could damage the appliance. Only use original parts and accessories.

EN

- This appliance should not be operated by persons with reduced physical, sensory or mental capabilities, or persons that have a lack of experience and knowledge.
- This appliance should, under any circumstances, not be used by children.
- Keep the appliance and its power cord out of reach of children.
- **WARNING:** ALWAYS switch off the appliance and unplug from power socket before cleaning, maintenance or storage.

---

## Special Safety Regulations

- This appliance is not intended to cool down the beverages or to store them in a long period of time. They should be cooled down first ( $< 6\text{ }^{\circ}\text{C}$ ) before placing in the appliance.
- All technical activities like installation, maintenance or repair work must be performed by qualified service personnel only.
- **WARNING:** Do not use mechanical devices or other means to accelerate the defrosting process, other than those recommended by the manufacturer.
- **WARNING:** Do not damage the refrigerant circuit.



**Caution! Risk of fire!** The refrigerant used is R600a/ R290 in this appliance. "It is a flammable refrigerant which is environmentally friendly. Although it is flammable, it does not damage the ozone layer and does not increase the greenhouse effect. The use of this coolant has, however, led to a slight increase in the noise level of the appliance. In addition to the noise of the compressor, you might be able to hear the coolant flowing around the system. This is unavoidable, and does not have any adverse effect on the performance of the appliance. Care must be taken during the transportation and setting up of the appliance that no parts of the cooling system are damaged. Leaking coolant can damage the eyes.

- The foam blowing agent used is Cyclopentane in this appliance. It is highly flammable.
- **WARNING:** Keep all ventilation openings in the appliance enclosure clear of obstruction. Provide sufficient ventilation in the surrounding structure when building-in. Never block the air flow suction and air outlet in order to keep air circulation.
- **WARNING:** Do not use electrical appliances inside the food storage compartments of the appliance, unless they are of the type recommended by the manufacturer.
- Place the appliance on a clean, stable, dry, level surface only.
- Keep the appliance away from any hot surfaces and open flames. Protect the appliance against heat, dust, direct sunlight, moisture, dripping and splashing water.
- During use, keep 10cm around the appliance free for ventilation.
- Do not use hard utensils on the glass surface. Do not use water jets or steam cleaners during cleaning, do not immerse the whole appliance in water as the parts will get wet and electric shock might be resulted.
- Do not place articles on top of the appliance. Do not place objects with open sources of fire (e.g. candles) on top or beside the appliance. Do not place objects filled with water (e.g. vases) on or near the appliance.
- Never cover the appliance during use. This may cause a fire hazard.

- Do not wash the appliance with water. Washing can cause leakages and increase the risk of electric shock.
- Do not make any additional openings on the appliance. Do not install any gadgets in the appliance.
- Do not overload the racks inside to avoid damage. Max. loading of each rack is about 8kg.
- Do not attempt to climb up to the top of the appliance.
- **CAUTION!** Handle the glass surfaces with care; protect them from impacts to avoid damage to property and personal injury.
- Do not keep the key near the appliance or within the reach of the children. This is to prevent children from accidentally locking themselves inside the appliance and endangering their lives.

### Installing the appliance

- The appliance should not be tipped over an angle of 5°. After installing the appliance, wait for 2 hours before connecting it to the electrical power supply to switch on. The same applies if the appliance is moved at a later date.
- The appliance must always be installed in a dry environment.
- When installing, leave at least 10 cm clearance to the rear and to the left and right for adequate ventilation. Leaving less room for ventilation may affect the efficiency.
- We strongly recommend to install the appliance in a place with good natural ventilation to increase ventilation properties.

EN

### Electrical components and other dangers

- No other appliances should be plugged into the same socket as with this appliance.
- Do not place any dangerous products, such as fuel, alcohol, paint, flammable or explosives, etc. inside or near the appliance as it may result a fire hazard.
- Do not store any medications in the appliance.
- Wait about 5 minutes before switch on the appliance again after the appliance has been switched off or unplugged from the electrical power supply.
- Do not wash the appliance with water. Washing can cause leakages and increase the risk of electric shock. No any parts/accessories can be under dishwasher.

## Intended use

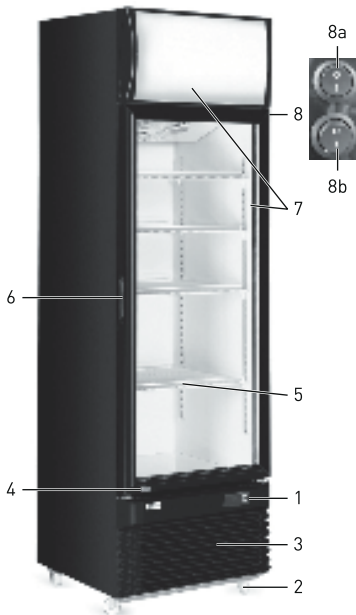
- This appliance is intended for professional use.
  - This appliance is designed only to keep beer, including beverages, under cool state and to display them for retail sale in restaurants, canteens, other commercial enterprises such as bakeries, butcheries, supermarkets, etc. Any other use may lead to damage of the appliance or personal injury.
- Operating the appliance for any other purpose shall be deemed a misuse of the device. The user shall be solely liable for improper use of the device.

## Grounding installation

This appliance is classified as **protection class I** and must be connected to a protective ground. Grounding reduces the risk of electric shock by providing an escape wire for the electric current.

This appliance is fitted with a power cord that has a grounding wire and grounded plug. The plug must be plugged into an outlet that is properly installed and grounded.

## Main parts of the appliance



1. Digital control panel
  - a. Set button for setting temperature
  - b. Increase setting of temperature  
Note: This button cannot switch ON/OFF the light of the appliance. Do press down button (8) to switch ON/OFF the light.
  - c. Decrease setting of temperature
  - d. Confirm setting / manual defrost
  - e. Temperature digits
2. Castor (x4, 2 front castor with brakes)
3. Air vent
4. Door lock
5. Shelf
6. Glass door handle
7. Light
  - a. ON / OFF switches for the light
    - i. Lightbox
    - ii. LED light inside the cabinet

**Remark:** The content of this manual applies for all listed items unless specified otherwise. The outlook and appearance may vary from the shown illustrations.

## Indicator light status description

Symbol indicator	Status	Description
<b>set</b>	ON	Under setting mode
	OFF	Operating under the setting condition
<b>out</b>	ON	Compressor works and cooling active
	OFF	Compressor not works and cooling inactive
	FLASH	Preparing cooling process
<b>C</b>	ON	Under refrigeration process
<b>def</b>	ON	Under defrost process

### Set the temperature

- Plug into a suitable electrical outlet.
- When set indicator light is OFF, press and hold 1a. button for 3 to 4 seconds until **SE** is shown on the display. Then, release the 1a. button & press 1a. button again.
- Next, press 1b. button to increase the setting temperature by 1°C or press 1c. button to decrease by 1°C.

- After that, press 1d. button to confirm the setting and exit.

Note:

- If no button is pressed within 30 seconds, the newly set temperature will be stored automatically.
- The temperature setting ranges from 2°C to 10°C.

### Defrost

- The appliance will start defrost process automatically for every 6 hours.

- When **def** indicator is ON, the appliance is under defrost process.

### Shelf height adjustment

- The height of each shelf can be adjusted.

- Adjust the height of each shelf according to the height of the items.

## Installation instructions

- Remove the appliance from the carton box, then remove the external and internal packaging and wrapping.
- Check to make sure the appliance is undamaged. In case of incomplete delivery and damages, DO NOT use the appliance. Please contact supplier [See ==> Warranty].
- Let the appliance stand upright for about 2 hours. This is to reduce the malfunction of the cooling system from improper handling during transportation.
- Clean interior surface with warm water and soft cloth. (See ==> Cleaning and Maintenance).
- Place the appliance on a horizontal, stable and heat resist surface that is safe against water splashes.
- Place all the shelves inside the appliance securely.

- Optimum working ambient temperature is between 16°C and 30°C. Otherwise, the functionality will be limited.
- Ensure that there is sufficient ventilation. Keep a minimum distance of 10 cm around the appliance. Do not block the ventilation holes.
- For energy savings, always make sure the door is closed.
- Ensure that you have all the accessories and tools needed for assembly and operation. This also includes suitable personal protective equipment (e. g. gloves, not included).

Note: Due to manufacturing residues, the appliance may emit a slight odor in the first few cycles. This is normal and does not indicate any defect or hazard. Make sure the appliance is well ventilated.

## Operation

### Placement

- Place the appliance on a stable and level surface/ floor.
- Ensure the appliance is properly levelled using a water spirit level (not supplied). Use furniture levelling wedges, if you detect the appliance is not levelled or wobbling.
- Let the appliance rest in its intended position for about 2 hours before operating to prevent damages to the cooling circuit through shaken refrigerant.
- Always lock the castors (2) when you have reached its intended position to prevent from slipping away.

### Switching the appliance ON/OFF

- The appliance is switched ON once it is connected to the suitable electrical power supply. Simply unplug to switch OFF the appliance.
- A sound will be heard when connected to the power supply.
- Wait at least 5 minutes before plug in again the after unplug the appliance or power sudden break.
- Unplug the appliance when not in use.

## Cleaning and Maintenance

**Attention:** Always unplug the appliance from the electrical power outlet before cleaning & maintenance.

### Cleaning

- The exterior and interior surfaces can be cleaned with a damp cloth and a little detergent.
- Racks can be removed and washed in water.
- Do not use water jet or steam cleaner for cleaning and do not push the appliance under the water.
- No any parts can be cleaned in the dishwasher.
- Clean the appliance regularly.

Parts	How to clean	Remark
All accessories such as racks, rack holders, etc.	<ul style="list-style-type: none"><li>• Soak in warm, soapy water for about 10 to 20 minutes.</li><li>• Rinse under running water thoroughly.</li></ul>	Dry all parts well at last.
External glass surfaces	<ul style="list-style-type: none"><li>• Wipe clean with a soft cloth and a little neutral detergent. Make sure no water or moisture enters inside the of the appliance.</li></ul>	
Interior glass surfaces	<ul style="list-style-type: none"><li>• Remove any food deposits.</li><li>• Wipe clean with a soft cloth and a little mild detergent. Make sure no water or moisture enters inside the of the appliance.</li></ul>	
Glass door		

### Putting the appliance out of reach for a long period of time

- **Attention:** Always unplug the appliance from the electrical power outlet.
- Remove all the food and beverage inside the appliance.
- Clean the appliance as described in Cleaning. (See ==> Cleaning).
- Store the appliance in a cool, clean place and keep out of reach of the children.



## Troubleshooting

If the appliance does not function properly, please check the below table for the solution. If you are still unable to solve the problem, please contact the supplier/service provider.

Problems	Possible cause	Possible solution
The appliance does not start cooling after connect to electrical power supply.	Thermal cut-out activated	Contact with the supplier/service provider for repair.
	The compressor is defective.	
	The power plug is connected correctly with the power supply outlet.	Check the connection and make sure all the connections are correctly connected.
No light after pressing the ON / OFF switch [8]	Light is defective	Contact with the supplier/service provider for repair.
Cooling is not enough.	The appliance is under strong sunlight radiation or close to a heat source.	Move the appliance a new location to avoid direct sunlight.
	The doors are not properly closed or the sealing gasket is defective.	Close the doors properly.
	Too much food is placed inside the appliance.	Place less food inside the appliance.
	Surrounding ventilation is insufficient.	Check that if sufficient ventilation is provided by allowing at least 10cm away from other objects or wall.
Too much noise	The appliance is not placed horizontally.	Check to make sure the appliance is placed horizontally.
	The appliance touches surrounding wall or other objects.	Check to make sure that at least 10cm away from other objects or wall.
	There are some loose parts inside the appliance.	Contact with the supplier/service provider for repair.

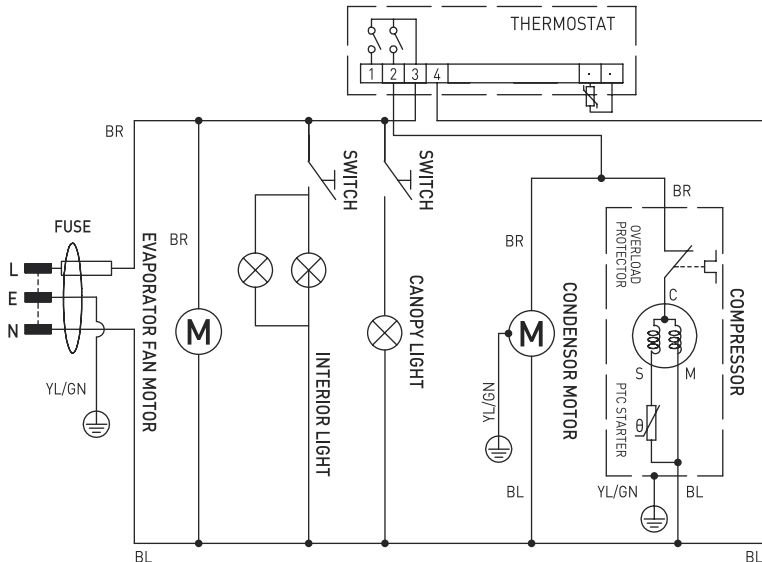
## Technical specification

Item no.	233788	233795
Operating voltage and frequency	220-240V- 50Hz	
Rated input power	300W	400W
Rated current	1.5 A	2.5 A
Setting temperature range	2°C to 10°C	
Recommended temperature setting	4°C	
Protection class	Class I	
Noise level	< 60 dB (A)	
Refrigerant used and injection quantity	R600a / 80g	R290 / 120g
Energy efficiency class	E	F
Foam blowing agent	Cyclopentane	
Power of the light	15W	18W
Climate class	N-ST	
Inside cabinet capacity	313L	618L
Number of Shelves	4	8
Maximum shelf load	8kg	
Outer dimension	620x669x(H)1965mm	1120x595x(H)1965mm

**Remark: Technical specification is subjected to change without prior notification.**

**NOTE: Energy class is in accordance with operation in climates with a maximum temperature of 25 °C and maximum humidity of 60%.**

### Circuit diagram (Item 233788, 233795)



---

## Warranty

Any defect affecting the functionality of the appliance which becomes apparent within one year after purchase will be repaired by free repair or replacement provided the appliance has been used and maintained in accordance with the instructions and has not been abused or misused in any way. Your statutory rights are not affected. If the appliance is claimed under warranty, state where and

when it was purchased and include proof of purchase (e.g. receipt).

In line with our policy of continuous product development we reserve the right to change the product, packaging and documentation specifications without notice.

---

## Discarding & Environment

When decommissioning the appliance, the product must not be disposed of with other household waste. Instead, it is your responsibility to dispose to your waste equipment by handing it over to a designated collection point. Failure to follow this rule may be penalized in accordance with applicable regulations on waste disposal. The separate collection and recycling of your waste equipment at the time of disposal will help conserve natural re-

sources and ensure that it is recycled in a manner that protects human health and the environment.


For more information about where you can drop off your waste for recycling, please contact your local waste collection company. The manufacturers and importers do not take responsibility for recycling, treatment and ecological disposal, either directly or through a public system.

Sehr geehrter Kunde,

Vielen Dank für den Kauf dieses Arktic Gerät. Lesen Sie dieses Handbuch sorgfältig und achten Sie besonders auf die unten aufgeführten Sicherheitsvorschriften, bevor Sie dieses Gerät zum ersten Mal installieren und verwenden.

---


## Sicherheitsvorschriften

- Dieses Gerät ist für den gewerblichen Gebrauch bestimmt.
- Verwenden Sie das Gerät nur für den vorgesehenen Zweck, für den es entworfen wurde, wie in diesem Handbuch beschrieben.
- Der Hersteller haftet nicht für Schäden, die durch fehlerhafte Bedienung und unsachgemäße Verwendung verursacht werden.
- Halten Sie das Gerät und den elektrischen Stecker von Wasser und anderen Flüssigkeiten fern. Falls das Gerät in Wasser fällt, entfernen Sie sofort den Netzstecker von der Steckdose. Verwenden Sie das Gerät erst, wenn es von einem zertifizierten Techniker überprüft wurde. Die Nichtbefolgung dieser Anweisungen führt zu lebensbedrohlichen Risiken.
- Versuchen Sie niemals, das Gehäuse des Geräts selbst zu öffnen.
- Legen Sie keine Objekte in das Gehäuse der Appliance ein.
- Berühren Sie den Stecker nicht mit nassen oder feuchten Händen.
-  **Gefahr eines elektrischen Schlags!** Versuchen Sie nicht, das Gerät selbst zu reparieren, Reparaturen sind nur von qualifiziertem Personal durchzuführen.
- **Verwenden Sie niemals ein beschädigtes Gerät!** Wenn es beschädigt ist, trennen Sie das Gerät von der Steckdose und wenden Sie sich an den Händler.
- **Warnung!** Tauchen Sie die elektrischen Teile des Geräts nicht in Wasser oder andere Flüssigkeiten ein.
- Halten Sie das Gerät niemals unter fließendem Wasser.
- Überprüfen Sie regelmäßig den Netzstecker und das Kabel auf Beschädigungen. Bei Beschädigung muss es durch einen Dienstleister oder eine ähnlich qualifizierte Person ersetzt werden, um Gefahren oder Verletzungen zu vermeiden.
- Stellen Sie sicher, dass das Kabel nicht mit scharfen oder heißen Gegenständen in Berührung kommt und halten Sie es von offenem Feuer fern. Ziehen Sie niemals das Netzkabel, um es von der Steckdose zu trennen, ziehen Sie stattdessen immer den Stecker.
- Stellen Sie sicher, dass das Netzkabel und/oder das Verlängerungskabel keine Auslösegefahr verursachen.
- Lassen Sie die Appliance während des Gebrauchs niemals unbeaufsichtigt.
- **Warnung!** Solange sich der Stecker in der Steckdose befindet, wird das Gerät an die Stromquelle angeschlossen.
- Schalten Sie die Appliance aus, bevor Sie sie vom Sockel trennen.
- Schließen Sie den Netzstecker an eine leicht zugängliche Steckdose an, so dass das Gerät im Notfall sofort abgenommen werden kann.

- Tragen Sie das Gerät niemals an der Schnur.
- Verwenden Sie keine zusätzlichen Geräte, die nicht zusammen mit der Appliance geliefert werden.
- Schließen Sie das Gerät nur an eine Steckdose mit der Spannung und Frequenz an, die auf dem Etikett des Gerätes angegeben ist.
- Verwenden Sie niemals anderes Zubehör als das vom Hersteller empfohlene Zubehör. Andernfalls könnte ein Sicherheitsrisiko für den Benutzer darstellen und das Gerät beschädigen. Verwenden Sie nur Originalteile und Zubehör.
- Dieses Gerät sollte nicht von Personen mit eingeschränkter körperlicher, sensorischer oder geistiger Leistungsfähigkeit oder von Personen mit mangelnder Erfahrung und Kenntnissnahme betrieben werden.
- Dieses Gerät sollte unter keinen Umständen von Kindern verwendet werden.
- Bewahren Sie das Gerät und das Netzkabel außerhalb der Reichweite von Kindern auf.
- **ACHTUNG:** Schalten Sie das Gerät immer aus und ziehen Sie es vor der Reinigung, Wartung oder Lagerung von der Steckdose ab.

---

## Besondere Sicherheitsvorschriften

- Das Gerät dient nicht zur Kühlung und Aufbewahrung von Getränken für einen längeren Zeitraum. Die Getränke sollten vor ihrem Einbringen ins Gerät vorgekühlt werden (< 6 °C).
- Alle technischen Tätigkeiten, d.h. Montage-, Wartungs- und Reparaturarbeiten dürfen nur von qualifiziertem Personal durchgeführt werden.
- **WARNUNG:** Verwenden Sie zwecks Beschleunigung des Abtauvorgangs weder mechanische Geräte noch andere Werkzeuge als vom Hersteller empfohlen.
- **WARNUNG:** Der Umlauf des Kühlmediums darf nicht beschädigt werden.
-  **Achtung! Es besteht Feuergefahr!** Im Gerät wird R600a/ R290 als Kältemittel verwendet. Es ist ein umweltfreundliches, leicht brennbares Kältemittel. Obwohl das Kältemittel leicht brennbar ist, ist es unschädlich für die Ozonschicht und hat keinen Einfluss auf den Treibhauseffekt. Der Einsatz dieses Kältemittels führt jedoch zu einem leichten Anstieg des Lärmpegels des Gerätes. Neben dem Lärm des Verdichters kann der Benutzer das Geräusch hören, das durch den Kältemittelstrom verursacht wird. Dieses Phänomen lässt sich nicht vermeiden und hat keine negativen Auswirkungen auf den Betrieb des Gerätes. Bei Transport und Aufstellung des Gerätes ist besonders darauf zu achten, dass keine Teile des Kältesystems beschädigt werden. Auslaufendes Kältemittel kann zu Augenschäden führen.
- Das in diesem Gerät verwendete Schaumtreibmittel ist Cyclopentan. Es ist leicht entzündlich.
- **WARNUNG:** Verdecken Sie nicht die Belüftungsöffnungen im Gehäuse des Gerätes. Wenn das Gerät umbaut ist, muss man sich davon überzeugen, ob für das Gerät auch eine richtige Belüftung gewährleistet wird. Blockieren Sie niemals den Luftdurchfluss um das Gerät herum, damit eine richtige Luftzirkulation abgesichert ist.

- **WARNUNG:** Innerhalb der Kammern der Kühlvitrine dürfen keine anderen Elektrogeräte eingesetzt werden, als vom Hersteller empfohlen.
- Das Gerät ist ausschließlich auf einer sauberen, stabilen, trockenen und horizontalen Fläche aufzustellen.
- Lagern Sie es weit entfernt von heißen Flächen und offenem Feuer. Überzeugen Sie sich, ob das Gerät nicht der Einwirkung hoher Temperaturen, Staub, Sonnenstrahlen, Feuchtigkeit, tropfendem Wasser und Spritzern ausgesetzt ist.
- Überzeugen Sie sich, ob rundum die Kühlvitrine 10 cm Freiraum eingehalten wurde, um eine richtige Belüftung zu gewährleisten.
- Es darf mit keinem harten Werkzeug gegen die Glasfläche der Kühlvitrine geschlagen werden. Ebenso darf das Gerät nicht mit einem Wasserstrahl oder einer Dampfwäsche gereinigt und das ganze Gerät darf wegen des Risikos eines Stromschlags nicht komplett in Wasser getaucht werden.
- Legen Sie keine Gegenstände auf die Kühlvitrine. Bringen Sie keine Quellen des offenen Feuers (z.B. angezündete Kerzen) bzw. mit Wasser gefüllte Gegenstände (z.B. Vasen) in die Nähe des Gerätes.
- Das Gerät darf während der Nutzung nicht zugedeckt werden, da sonst Feuergefahr besteht.
- Reinigen Sie die Kühlvitrine nicht mit Wasser. Beim Waschen des Gerätes kann Wasser in den elektrischen Teil gelangen und so zu einem Stromschlag führen.
- Bringen Sie keine allzu großen Mengen von Lebensmitteln in die Vitrine, um ihrer Beschädigung vorzubeugen. Die maximale Belastung eines jeden Faches beträgt ca. 8 kg.
- Probieren Sie nicht auf das Gerät zu steigen.
- **SEIEN SIE VORSICHTIG!** Seien Sie vorsichtig beim Umgang mit Glasflächen; schützen Sie sie vor Stößen, um Schäden am Gerät und Verletzungen zu vermeiden.
- Bewahren Sie den Schlüssel zum Gerät weder in seiner Nähe noch in Reichweite von Kindern auf. Eine solche Maßnahme soll dem zufälligen Einschließen eines Kindes im Innern des Gerätes vorbeugen, was zu einer Lebensgefahr führen kann.

## Montage der Kühlvitrine

- Das Gerät darf mit keinem größeren Winkel als 5° geneigt stehen. Nach durchgeführter Montage des Gerätes muss man vor seinem Anschluss an die Stromversorgung und Inbetriebnahme 2 Stunden abwarten. Die obige Empfehlung betrifft auch die Situation, wenn das Gerät zu einem späteren Termin an einen anderen Platz gestellt wird.
- Die Kühlvitrine muss unbedingt an einem trockenen Platz montiert werden.
- Während der Montage muss man hinter dem Gerät und an den beiden Seiten mindestens 10 cm Freiraum lassen, um eine richtige Belüftung gewährleisten zu können. Bei einem geringeren Freiraum kann die Leistungsfähigkeit der Gerätes beeinflusst werden.
- Es wird empfohlen, die Montage der Kühlvitrine an einem Ort mit guter natürlicher Belüftung durchzuführen, weil dadurch das Gerät entsprechend belüftet wird.

## Elektrische Elemente und andere Gefahren

- Es darf keine andere Ausrüstung an die gleiche Stromversorgungsquelle angeschlossen werden, an die das Gerät angeschlossen ist.
- Bringen Sie in der Kühlvitrine oder in seiner Nähe keine Gefahrenstoffe unter, und zwar solche wie Kraftstoff, Alkohol, Farben, leichtbrennbare und explosive Materialien usw. – es besteht Brandgefahr.
- Lagern Sie im Gerät keine Arzneimittel.
- Nach dem Aus- oder Abschalten des Gerätes von der Stromversorgungsquelle muss man ca. 5 Minuten bis zu seiner erneuten Inbetriebnahme abwarten.
- Reinigen Sie das Gerät nicht mit Wasser. Beim Waschen des Gerätes kann Wasser in den elektrischen Teil gelangen und zu einem Stromschlag führen. Die Teile/Zubehör sind nicht zum Waschen in der Spülmaschine geeignet.

---

## Verwendungszweck des Gerätes

- Das Gerät ist für den professionellen Einsatz geeignet.
- Dieses Gerät ist ausschließlich für die Lagerung von Getränken (darunter Bier) bestimmt, um sie kühl zu halten und zum Verkauf in Restaurants, Kantinen oder anderen gewerblichen Einrichtungen wie Bäckereien, Metzgereien, Supermärkten usw. auszustellen. Die Verwendung des Gerätes für andere Zwecke kann zu seiner Beschädigung sowie zu Körperverletzungen führen.
- Jede andere Verwendung des Gerätes gilt als nicht bestimmungsgemäß. Der Benutzer ist allein verantwortlich für die unsachgemäße Nutzung des Gerätes.

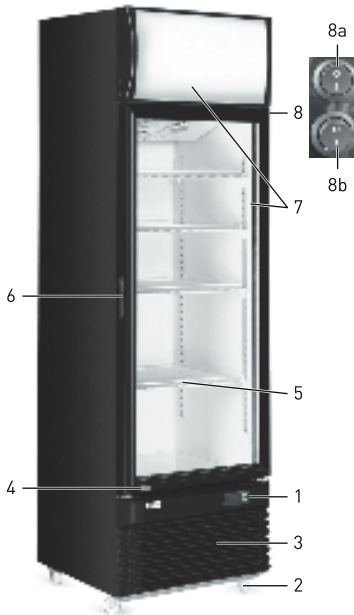
---

## Erdungsinstallation

Dieses Gerät ist als **Schutzklasse I** eingestuft und muss mit einer Schutzerde verbunden werden. Die Erdung reduziert das Risiko eines elektrischen Schlags, indem ein Fluchtkabel für den elektrischen Strom bereitgestellt wird. Dieses Gerät ist

mit einem Netzkabel mit einem Erdungskabel und einem geerdeten Stecker ausgestattet. Der Stecker muss in eine Steckdose gesteckt werden, die ordnungsgemäß installiert und geerdet ist.

## Hauptteile des Gerätes



1. Digitales Steuerpanel
  - a. Temperatureinstelltaste
  - b. Erhöhung der Temperatureinstellung  
Hinweis: Mit dieser Taste kann man das Licht im Gerät nicht ein-/ausschalten. Um das Licht ein-/auszuschalten, muss man die untere Taste (8) drücken.
  - c. Verringerung der Temperatureinstellung
  - d. Bestätigung der Einstellung / manuelles Abtauen
  - e. Eingestellter Temperaturwert
2. Selbsteinstellbare Räder (x4, die 2 vorderen Räder sind mit Bremsen ausgerüstet)
3. Lüftungsöffnungen
4. Türschloss
5. Regalfach
6. Griff der Glastür
7. Beleuchtung
8. Ein-/Ausschalter für das Licht
  - a. Lampe im oberen Teil der Vitrine
  - b. LED-Glühlampe innerhalb der Vitrine

**Hinweis:** Der Inhalt der vorliegenden Anweisung betrifft alle aufgeführten Modelle, soweit nicht anders bestimmt wurde. Das Aussehen des Geräts kann sich von dem auf den Zeichnungen dargestellten unterscheiden.

### Beschreibung des Status der Kontrollleuchten

Symbol	Status	Beschreibung
<b>set</b>	EIN	Einstellmodus
	AUS	Das Gerät arbeitet entsprechend den vorgenommenen Einstellungen.
<b>out</b>	EIN	Verdichter in Betrieb - Kühlung
	AUS	Verdichter nicht in Betrieb - keine Kühlung
	BLINKEN	Vorbereitung zur Kühlung
<b>C</b>	EIN	Kühlungsprozess
<b>def</b>	EIN	Abtauprozess



## Einstellen der Temperatur

- Schließen Sie den Stecker an die entsprechende Elektrosteckdose an.
- Wenn die Kontrollleuchte „set“ nicht leuchtet, halten Sie die Taste 1a 3-4 Sekunden lang gedrückt, bis **SE** auf dem Display erscheint. Lassen Sie dann die Taste 1a los und drücken Sie sie erneut.
- Drücken Sie die Taste 1b, um die Temperatur um 1 °C zu erhöhen, oder drücken Sie die Taste 1c, um die Temperatur um 1 °C zu senken.

## Abauen

- Das Gerät beginnt alle 6 Stunden automatisch mit dem Abtauen.

## Einstellen der Höhe der Regalfächer

- Es ist möglich, die Höhe der Regalfächer zu ändern.

## Installationshinweise

- Nehmen Sie das Gerät aus dem Karton heraus, entfernen Sie die Innen- und Außenverpackung sowie die Sicherungen.
- Überprüfen Sie es, ob das Gerät nicht beschädigt ist. Bei einer unvollständigen Anlieferung oder Beschädigungen darf das Gerät NICHT benutzt werden. Setzen Sie sich mit dem Lieferanten in Verbindung (Siehe ==> Garantie).
- Lassen Sie das Gerät ca. 2 Stunden vertikal stehen. Damit soll der Spielraum für Fehlfunktionen des Kühlsystems bei unsachgemäßer Handhabung während des Transports reduziert werden.
- Waschen Sie die Außenflächen mit einem weichen, in warmes Wasser getauchten Tuch. (siehe ==> Reinigung und Wartung).
- Das Gerät stellt man auf eine horizontale, stabile Fläche, die gegen die Einwirkung hoher Temperaturen und Spritzer von Flüssigkeiten beständig ist.
- Alle Fächer sind stabil im Gerät anzubringen.
- Die Umgebungstemperatur am Betriebsort des Gerätes sollte von 16 °C bis 30 °C betragen. Andernfalls kann das Gerät nicht richtig funktionieren.

- Drücken Sie dann die Taste 1d, um die eingeführten Einstellungen und Ausgänge zu bestätigen.

Hinweis:

- Wird innerhalb von 30 Sekunden keine Taste gedrückt, wird die eingestellte Temperatur automatisch gespeichert.
- Temperatureinstellbereich: von 2 °C bis 10 °C.

- Wenn die Taste **„def“** leuchtet, beginnt der Abtauprozess.

- Ändern Sie die Höhe der Regalfächer entsprechend den Produkten im Gerät.

- Gewährleisten Sie eine richtige Belüftung. Belassen Sie einen Freiraum von mindestens 10 cm rundum das Gerät. Blockieren Sie nicht die Lüftungsöffnungen.

- Um Energie zu sparen, achten Sie immer darauf, dass die Tür geschlossen ist.
- Überzeugen Sie sich, ob Sie alle Zubehörteile sowie die für Montage und Bedienung des Gerätes notwendigen Werkzeuge haben. Diese Anforderung betrifft auch die persönlichen Schutzmittel (z.B. Handschuhe, sind dem Gerät nicht beigelegt).

Hinweis: Auf Grund eventueller Rückstände aus dem Produktionsprozess kann während der ersten Inbetriebnahmen ein schwacher, spezifischer Geruch entweichen. Das ist normal und kommt weder von einer Beschädigung des Gerätes noch stellt er eine Gefahr für den Nutzer dar. Überprüfen Sie, ob das Gerät gut belüftet ist.

## Betrieb

### Aufstellung des Gerätes

- Stellen Sie das Gerät auf eine stabile und ebene Fläche oder auf den Boden.
- Verwenden Sie eine Wasserwaage (nicht im Lieferumfang enthalten), um sicherzustellen, dass das Gerät korrekt ausgerichtet ist. Wenn Sie feststellen, dass das Gerät nicht stabil steht oder wackelt, verwenden Sie einen Möbelkeil.
- Lassen Sie das Gerät ca. 2 Stunden vor seiner Inbetriebnahme, um Schäden am Kühlkreislauf durch falsche Kältemittelverteilung zu vermeiden.
- Blockieren Sie die selbststellbaren Räder (2) nach Einstellung des Gerätes am Zielort, um das Gerät vor dem Verschieben zu sichern.

### Einschalten und Ausschalten des Gerätes (ON/OFF)

- Das Gerät startet, wenn der Stecker an die entsprechende Elektrosteckdose angeschlossen wird. Ziehen Sie den Stecker aus der Steckdose, um das Gerät auszuschalten.
- Wenn das Gerät an eine Stromquelle angeschlossen ist, ertönt ein Signalton.
- Warten Sie nach dem Trennen des Gerätes oder bei einem plötzlichen Stromausfall mindestens 5 Minuten, bevor Sie das Gerät wieder ans Netz anschließen.
- Wenn Sie das Gerät nicht benutzen, ziehen Sie den Netzstecker aus der Steckdose.

## Reinigung und Wartung

**Hinweis:** Vor dem Reinigen und den Wartungsarbeiten muss man immer das Gerät von der Strom-

versorgungsquelle trennen und den Stecker aus der Steckdose nehmen.

### Reinigung

- Die Innen- und Außenflächen der Kühlvitrine kann man mit einem feuchten Lappen mit einer geringen Menge eines Reinigungsmittels reinigen.
- Die Regalfächer kann man aus dem Gerät nehmen und sie beim Waschen in Wasser eintauchen.
- Verwenden Sie zum Reinigen der Kühlvitrine weder einen direkten Wasserstrahl, Dampfreiniger, noch tauchen Sie das gesamte Gerät in das Wasser.
- Teile der Kühlvitrine dürfen nicht in der Spülmaschine gereinigt werden.
- Die Reinigung der Kühlvitrine sollte regelmäßig erfolgen.

Teile	Reinigung	Bemerkungen
Teile des Gerätes, solche wie Regalfächer, ihre Stützen usw.	<ul style="list-style-type: none"><li>• Für ca. 10-20 Minuten in warmes Seifenwasser tauchen.</li><li>• Unter fließendem Wasser genau abspülen.</li></ul>	Alle Teile genau abtrocknen.
Äußere Glasflächen	<ul style="list-style-type: none"><li>• Mit weichem Lappen und geringer Menge eines neutralen Reinigungsmittels abreiben. Überzeugen Sie sich, dass kein Wasser in das Innere der Kühlvitrine gelangte.</li></ul>	
Innere Glasflächen	<ul style="list-style-type: none"><li>• Lebensmittelreste beseitigen.</li><li>• Mit weichem Lappen und geringer Menge eines milden Reinigungsmittels abreiben. Überzeugen Sie sich, dass kein Wasser oder Feuchtigkeit in das Innere der Kühlvitrine gelangte.</li></ul>	
Glastüren		

## Lagerung der Kühlvitrine während einer Unterbrechung der Nutzung

- **Hinweis:** Die Kühlvitrine immer von der Stromversorgungsquelle trennen.
- Aus der Kühlvitrine sind sämtliche Lebensmittel und Getränke zu entfernen.
- Waschen Sie die Kühlvitrine entsprechend den Hinweisen im Punkt Reinigung und Wartung (siehe ==> Reinigung und Wartung).
- Lagern Sie die Kühlvitrine an einem kühlen, sauberen Ort außerhalb der Reichweite von Kindern.

## Fehlerbeseitigung

Wenn das Gerät nicht richtig funktioniert, muss man sich zum Finden der richtigen Lösung mit der nachfolgenden Tabelle vertraut machen. Wenn Sie das Problem nicht lösen können, dann setzen Sie sich bitte mit dem Lieferanten in Verbindung.

Problem	Mögliche Ursache	Mögliche Lösung
Die Kühlvitrine beginnt nach dem Anschließen an die Stromversorgung nicht mit dem Kühlvorgang.	Thermische Sicherung wurde ausgelöst.	Setzen Sie sich zwecks Reparatur des Gerätes mit dem Lieferanten/Dienstleister in Verbindung.
	Verdichter ist beschädigt.	
	Stecker ist nicht richtig an die Elektrosteckdose angeschlossen.	Überprüfen und überzeugen Sie sich, ob alle Elemente richtig angeschlossen sind.
Nach dem Drücken der Taste Ein-/Aus-schalten des Lichtes (8), leuchtet das Licht nicht auf.	Beschädigung der Beleuchtung	Setzen Sie sich mit dem Lieferanten/Dienstleister zwecks Reparatur des Gerätes in Verbindung.
Kühlung ist zu schwach.	Kühlvitrine ist einer zu starken Sonneneinstrahlung ausgesetzt oder steht zu nahe an einer Wärmequelle.	Stellen Sie das Gerät an einen anderen Ort, weit entfernt von einer direkten Sonneneinstrahlung.
	Türen sind nicht richtig geschlossen oder die Dichtung ist beschädigt.	Türen richtig schließen.
	In der Kühlvitrine befinden sich zu viele Lebensmittel.	Nehmen Sie einen Teil der Lebensmittel aus der Kühlvitrine.
	Die Lüftung rundum das Gerät ist unzureichend.	Überzeugen Sie sich, ob für die Kühlvitrine eine richtige Belüftung garantiert wird bzw. rundum ein Freiraum von 10 cm belassen wurde.
Kühlvitrine erzeugt zu viel Lärm.	Das Gerät ist nicht in horizontaler Lage aufgestellt.	Überzeugen Sie sich, ob das Gerät in horizontaler Lage aufgestellt wurde.
	Kühlvitrine berührt eine Wand oder andere Objekte.	Überzeugen Sie sich, ob rundum die Kühlvitrine ein Freiraum von mindestens 10 cm belassen wurde.
	Innerhalb der Kühlvitrine befinden sich lose Elemente.	Setzen Sie sich mit dem Lieferanten/Dienstleister zwecks Reparatur des Gerätes in Verbindung.

## Technische Spezifikation

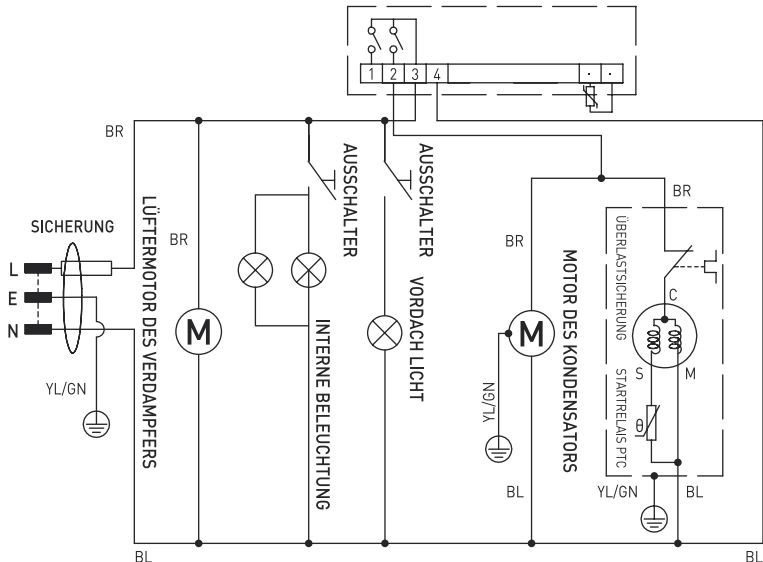
Nr. des Produktes	233788	233795
Betriebsspannung und Frequenz	220-240V~ 50Hz	
Nennleistungsaufnahme	300W	400W
Nennstrom	1,5 A	2,5 A
Temperatur-Einstellbereich	2°C bis 10°C	
Empfohlene Temperatureinstellung	4°C	
Schutzklasse	Klasse I	
Lärmpegel	< 60 dB (A)	
Kältemittel / Menge des eingespritzten Mittels	R600a / 80g	R290 / 120g
Energieklasse	E	F
Schaumtreibmittel	Cyclopentan	
Lichtleistung	15W	18W
Klimaklasse	N-ST	
Rauminhalt der Kühlvitrine	313L	618L
Nummer der Regale	4	8
Max. Traglast pro Boden	8kg	
Außenabmessungen	620x669x(H)1965mm	1120x595x(H)1965mm

**Bemerkungen:** Die Technische Spezifikation kann ohne frühere Ankündigung geändert werden.

DE

**HINWEIS:** Die Energieklasse entspricht dem Betrieb in Klimazonen mit einer maximalen Temperatur von 25 °C und einer maximalen Luftfeuchtigkeit von 60%.

## Elektroschaltplan (Produkt Nr. 233788, 233795)



---

## Garantie

Alle innerhalb von einem Jahr nach dem Kaufdatum festgestellten Defekte oder Mängel, die die Funktionalität des Gerätes beeinträchtigen, werden auf dem Wege der unentgeltlichen Reparatur bzw. des Austausches unter der Voraussetzung beseitigt, dass das Gerät in einer der Bedienungsanleitung gemäßen Art und Weise betrieben und gewartet wird und weder vorsätzlich vernichtet noch nicht bestimmungsgemäß genutzt wurde. Ihre Rechte aus den entsprechenden Gesetzen bleiben davon

unberührt. Eine in der Garantiefrist einzureichende Beanstandung hat die Angabe des Kaufortes und Kaufdatums und in der Anlage einen Kaufbeleg (z.B. Kassenzettel) zu enthalten.

Gemäß unserer Politik der ständigen Weiterentwicklung unserer Produkte behalten wir uns vor, Änderungen am Produkt, an seiner Verpackung und an den dokumentierten technischen Daten ohne vorherige Ankündigung vorzunehmen.

---

## Entsorgung und Umweltschutz


Wird das Gerät außer Betrieb genommen, darf es nicht über den Hausmüll entsorgt werden. Der Benutzer ist für die Übergabe des Gerätes an eine geeignete Sammelstelle für Altgeräte verantwortlich. Die Nichteinhaltung dieser Regel kann gemäß den geltenden Vorschriften über die Abfallentsorgung bestraft werden. Die getrennte Sammlung und das Recycling der Altgeräte trägt zur Schonung der natürlichen Ressourcen bei und sorgt für eine umwelt- und gesundheitsschonende Verwertungsweise.

Weitere Informationen darüber, wo Sie Ihre Altgeräte entsorgen können, erhalten Sie bei Ihrem örtlichen Entsorgungsunternehmen. Der Hersteller und der Importeur übernehmen keine Verantwortung für das Recycling sowie die umweltfreundliche Verwertung von Abfällen, weder direkt noch über ein öffentliches System.

Geachte klant,

Bedankt voor de aanschaf van dit Arktic apparaat. Lees deze handleiding zorgvuldig door, met bijzondere aandacht voor de onderstaande veiligheidsvoorschriften, voordat u dit apparaat voor de eerste keer installeert en gebruikt.

## Veiligheidsvoorschriften

- Dit apparaat bedoeld voor commerciële doeleinde.
- Gebruik het apparaat alleen voor het beoogde doel waarvoor het is ontworpen, zoals beschreven in deze handleiding.
- De fabrikant is niet aansprakelijk voor enige schade veroorzaakt door onjuist gebruik en onjuist gebruik.
- Houd het apparaat en de stekker uit de buurt van water en andere vloeistoffen. Als het apparaat in water valt, haal dan onmiddellijk de stekker uit het stopcontact. Gebruik het apparaat niet totdat het is gecontroleerd door een gecertificeerde technicus. Het niet volgen van deze instructies zal levensbedreigende risico's veroorzaken.
- Probeer nooit de behuizing van het apparaat zelf te openen.
- Plaats geen objecten in de behuizing van het apparaat.
- Raak de stekker niet aan met natte of vochtige handen.
-  **Gevaar voor een elektrische schok!** Probeer het apparaat niet zelf te repareren, reparaties mogen alleen worden uitgevoerd door gekwalificeerd personeel.
- **Gebruik nooit een beschadigd apparaat!** Wanneer het apparaat beschadigd is, koppelt u het apparaat los van het stopcontact en neemt u contact op met de detailhandelaar.
- **Waarschuwing!** Dompel de elektrische onderdelen van het apparaat niet onder in water of andere vloeistoffen.
- Houd het apparaat nooit onder stromend water.
- Controleer regelmatig de stekker en het snoer op eventuele schade. Bij beschadiging moet het worden vervangen door een serviceagent of een gelijkwaardig gekwalificeerd persoon om gevaar of letsel te voorkomen.
- Zorg ervoor dat het snoer niet in contact komt met scherpe of hete voorwerpen en houd het uit de buurt van open vuur. Trek nooit aan het netsnoer om het uit het stopcontact te halen, trek altijd aan de stekker.
- Zorg ervoor dat het netsnoer en/of het verlengsnoer geen struikelgevaar veroorzaken.
- Laat het apparaat nooit onbeheerd achter tijdens het gebruik.
- **Waarschuwing!** Zolang de stekker in het stopcontact zit, is het apparaat aangesloten op de stroombron.
- Schakel het toestel uit voordat u het uit het stopcontact haalt.
- Sluit de stekker aan op een gemakkelijk toegankelijk stopcontact, zodat het apparaat in geval van nood onmiddellijk kan worden losgekoppeld.
- Draag het apparaat nooit bij het snoer.
- Gebruik geen extra apparaten die niet samen met het apparaat worden geleverd.
- Sluit het apparaat alleen aan op een stopcontact met de spanning en frequentie vermeld op

het etiket van het apparaat.

- Gebruik nooit andere accessoires dan die welke door de fabrikant worden aanbevolen. Als u dit niet doet, kan dit een veiligheidsrisico vormen voor de gebruiker en kan het apparaat beschadigen. Gebruik alleen originele onderdelen en accessoires.
- Dit apparaat mag niet worden gebruikt door personen met verminderde fysieke, zintuiglijke of mentale vermogens, of personen met een gebrek aan ervaring en kennis.
- Dit apparaat mag in geen geval door kinderen worden gebruikt.
- Houd het apparaat en het netsnoer buiten het bereik van kinderen.
- **WAARSCHUWING:** schakel het apparaat **ALTIJD** uit en haal de stekker uit het stopcontact voor reiniging, onderhoud of opslag.

---

## Speciale voorzorgsmaatregelen

- Dit apparaat is niet bestemd voor het afkoelen van dranken of de langdurige opslag van dranken. Dranken moeten eerst worden afgekoeld ( $< 6\text{ }^{\circ}\text{C}$ ) voordat ze in het apparaat worden geplaatst.
- Alle technische activiteiten zoals installatie, onderhoud en reparatiewerkzaamheden mogen alleen worden uitgevoerd door gekwalificeerd onderhoudspersoneel.
- **WAARSCHUWING:** Gebruik geen mechanische apparaten of andere middelen om het ontdooiproces te versnellen, tenzij deze worden aanbevolen door de fabrikant.
- **WAARSCHUWING:** Beschadig het koelcircuit niet.
-  **Let op! Gevaar voor brand!** Het koelmiddel dat wordt gebruikt in dit apparaat is R600a/ R290. Dit is een ontvlambaar koelmiddel dat milieuvriendelijk is. Hoewel het ontvlambaar is, beschadigt het de ozonlaag niet en het draagt niet bij aan het broeikas effect. Het gebruik van het koelmiddel leidt echter wel tot een lichte toename van het geluidsniveau van het apparaat. Het is mogelijk dat u, naast het geluid van de compressor, ook het koelmiddel hoort stromen in het systeem. Dit is onvermijdelijk en heeft geen nadelig effect op de prestaties van het apparaat. Tijdens het transport en de installatie van het apparaat moet erop worden gelet dat er geen onderdelen van het koelsysteem worden beschadigd. Lekkend koelmiddel kan uw ogen schaden.
- Het schuimblaasmiddel dat in dit apparaat wordt gebruikt is Cyclopentaan. Dit is licht ontvlambaar.
- **WAARSCHUWING:** Houd alle ventilatieopeningen in de behuizing van het apparaat vrij. Zorg bij inbouw voor voldoende ventilatie in de omliggende structuur. Blokkeer de luchtinlaat en -uitlaat nooit om een goede luchtcirculatie te behouden.
- **WAARSCHUWING:** Gebruik geen elektrische apparaten in de voedselopslagruimte van het apparaat, tenzij deze van het type zijn die worden aanbevolen door de fabrikant.
- Plaats het apparaat uitsluitend op een schone, stabiele, droge en vlakke ondergrond.
- Houd het apparaat uit de buurt van warme oppervlakken en open vlammen. Bescherm het apparaat tegen stof, direct zonlicht, vocht en druppelend en spattend water.
- Laat tijdens het gebruik een ruimte van 10 cm vrij rond het apparaat voor ventilatie.

- Gebruik geen hard keukengerei op het glazen oppervlak. Gebruik geen waterstralen of stoomreiniger tijdens het schoonmaken en dompel het apparaat niet onder in water, omdat de onderdelen van het apparaat dan nat worden en dit kan leiden tot elektrische schokken.
- Plaats geen voorwerpen op het apparaat. Plaats geen open vuurbonnen (bijv. kaarsen) op of naast het apparaat. Plaats geen voorwerpen gevuld met vloeistof (bijv. vazen) op of in de buurt van het apparaat.
- Bedek het apparaat nooit tijdens gebruik. Dit kan brandgevaar veroorzaken.
- Was het apparaat niet met water. Wassen kan leiden tot lekkages en het risico op elektrische schokken verhogen.
- Maak geen extra openingen in het apparaat. Installeer geen gadgets in het apparaat.
- Overbelast de schappen in het product niet om schade te voorkomen. De maximale belasting van elk schap is ca. 8kg.
- Probeer niet op het apparaat te klimmen.
- **LET OP!** Ga voorzichtig om met de glazen oppervlakken, bescherm ze tegen schokken en stoten om schade aan eigendommen en lichamelijk letsel te voorkomen.
- Bewaar de sleutel niet in de buurt van het apparaat of binnen het bereik van kinderen. Dit voorkomt dat kinderen zichzelf per ongeluk opsluiten in het apparaat en hun leven in gevaar brengen.

## Het apparaat installeren

- Het apparaat mag niet worden gekanteld onder een hoek groter dan 5°. Wacht nadat het apparaat is geïnstalleerd 2 uur alvorens het aan te sluiten op het lichtnet en in te schakelen. Dit geldt ook als het apparaat op een later tijdstip wordt verplaatst.
- Het apparaat moet altijd worden geïnstalleerd in een droge omgeving.
- Laat tijdens de installatie minimaal 10 cm ruimte vrij aan de achter-, linker- en rechterkant voor voldoende ventilatie. Als u minder ruimte vrij laat voor ventilatie kan dit de efficiëntie beïnvloeden.
- We raden sterk aan het apparaat te installeren op een plaats met goede natuurlijke ventilatie om de ventilatie-eigenschappen optimaal te benutten.

## Elektrische onderdelen en andere gevaren

- Er mogen geen andere apparaten op hetzelfde stopcontact als dit apparaat worden aangesloten.
- Plaats geen gevaarlijke producten, zoals brandstof, alcohol, verf, brandbare stoffen, explosieven, etc. in of in de buurt van dit apparaat, omdat dit kan leiden tot brandgevaar.
- Bewaar geen medicijnen in dit apparaat.
- Als u het apparaat heeft uitgeschakeld of losgekoppeld van het lichtnet, wacht dan ongeveer 5 minuten voordat u het apparaat opnieuw inschakelt.
- Was het apparaat niet met water. Wassen kan lekkage veroorzaken en het risico op elektrische schokken verhogen. Geen van de onderdelen/accessoires mag worden gewassen in de vaatwasser.



## Beoogd gebruik

- Het apparaat is bestemd voor professioneel gebruik.
- Dit apparaat is alleen bedoeld om bier, en andere dranken, in koele staat te houden en tentoon te stellen voor de verkoop in restaurants, kantines en andere commerciële bedrijven zoals bakkerijen, slagerijen, supermarkten, etc. Elk ander gebruik kan leiden tot schade aan het apparaat of lichamelijk letsel.

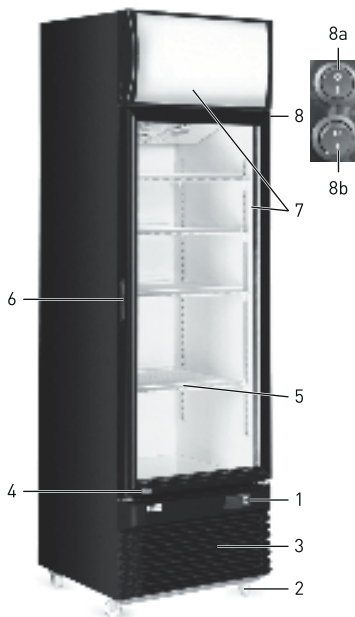
- Gebruik van het apparaat voor andere doeleinden wordt beschouwd als verkeerd gebruik van het apparaat. De gebruiker is volledig aansprakelijk voor alle risico's die voortvloeien uit verkeerd gebruik van het apparaat.

## Aarding installatie

Dit apparaat is geclassificeerd als **beschermingsklasse I** en moet op een beschermende grond worden aangesloten. Aarding vermindert het risico op elektrische schokken door een ontsnapingsdraad voor de elektrische stroom aan te bieden. Dit ap-

paraat is uitgerust met een netsnoer met een aaringsdraad en geaarde stekker. De stekker moet worden aangesloten op een stopcontact dat correct is geïnstalleerd en geaard.

## Belangrijkste onderdelen van het apparaat



1. Digitaal bedieningspaneel
  - a. Instelknop voor instellen temperatuur
  - b. Instelling temperatuur verhogen  
Opmerking: Deze knop kan de verlichting van het apparaat niet in-/uitschakelen. Druk op knop [8] om de verlichting in/uit te schakelen.
  - c. Instelling temperatuur verlagen
  - d. Instelling bevestigen/ Handmatig ontdooien
  - e. Temperatuurnummers
2. Zwenkwielen (x4, 2 zwenkwielen aan voorkant met remmen)
3. Ventilatieopeningen
4. Deurslot
5. Rek
6. Handgreep glazen deur
7. Lamp
8. AAN/ UIT-knop voor verlichting
  - a. Lichtbak
  - b. LED-lampje in de kast

**Opmerking:** De inhoud van deze handleiding is van toepassing op alle vermelde artikelen tenzij anders vermeld. Het uiterlijk kan afwijken van de getoonde afbeeldingen.

## Beschrijving status indicatielampje

Symbool indicator	Status	Beschrijving
<b>set</b>	AAN	In instelmodus
	UIT	In werking met gebruik instellingen
<b>out</b>	AAN	Compressor werkt en koeling actief
	UIT	Compressor werkt niet en koeling niet actief
	KNIPPERT	Voorbereiden koelproces
<b>C</b>	AAN	In koelproces
<b>def</b>	AAN	In ontdooiproces

### De temperatuur instellen

- Steek de stekker in een geschikt stopcontact.
- Als het indicatielampje UIT is, houd dan knop 1a. voor 3 tot 4 seconden ingedrukt tot **SE** wordt getoond op het display. Laat knop 1a. daarna los & druk nogmaals op knop 1a.
- Druk vervolgens op knop 1b. om de instelling van de temperatuur te verhogen met 1°C of druk op knop 1c. om de instelling van de temperatuur te verlagen met 1°C.

- Druk daarna op knop 1d. om de instelling te bevestigen en het instellen te verlaten.

#### Opmerking:

- Als er niet binnen 30 seconden op een knop wordt gedrukt, zal de nieuw ingestelde temperatuur automatisch worden opgeslagen.
- De temperatuur kan worden ingesteld op een waarde tussen 2°C en 10°C.

### Ontdooien

- Het apparaat start het ontdooiproces automatisch elke 6 uur.

- Als de **def** def-indicator is ingeschakeld, is het apparaat bezig met het ontdooiproces.

### Rekhoogte aanpassen

- De hoogte van elk rek kan worden aangepast.

- Pas de hoogte van elk raak aan op basis van de hoogte van de voorwerpen die in het apparaat worden geplaatst.

---

## Installatie-instructies

- Haal het apparaat uit de kartonnen doos en verwijder vervolgens de externe en interne verpakkingsmaterialen.
- Controleer of het apparaat onbeschadigd is. Gebruik het apparaat NIET in geval van een onvolledige levering of schade. Neem contact op met de leverancier (Zie ==> Garantie).
- Laat het apparaat ongeveer 2 uur rechtop staan. Dit doet u om de kans op storingen in het koelsysteem door onjuiste behandeling tijdens het transport te beperken.
- Reinig het binnenoppervlak met warm water en een zachte doek. (Zie ==> Reiniging en onderhoud).
- Plaats het apparaat op een horizontale, stabiele, hittebestendige ondergrond uit de buurt van waterspatten.
- Plaats alle rekken stevig in het apparaat.

- De optimale omgevingstemperatuur voor gebruik ligt tussen 16°C en 30°C. Het apparaat heeft bij temperaturen buiten dit bereik een beperkte functionaliteit.
- Zorg ervoor dat er voldoende ventilatie is. Houd een minimale afstand van 10 cm vrij rond het apparaat. Blokkeer de ventilatiegaten niet.
- Zorg er om energie te besparen voor dat de deur altijd is gesloten.
- Zorg ervoor dat u over alle accessoires en gereedschappen beschikt die benodigd zijn voor de montage en het gebruik. Dit omvat ook geschikte persoonlijke beschermingsmiddelen (zoals handschoenen, niet meegeleverd).

Opmerking: Vanwege fabricageresten kan het apparaat tijdens de eerste aantal cycli een lichte geur afgeven. Dit is normaal en duidt niet op een defect op gevaar. Zorg ervoor dat het apparaat goed wordt geventileerd.

---

## Gebruik

### Plaatsing

- Plaats het apparaat op een stabiele en vlakke ondergrond/vloer.
- Zorg ervoor dat het apparaat op de juiste manier waterpas wordt gezet met behulp van een waterpas (niet meegeleverd). Gebruik nivelleerwigen voor meubilair als u opmerkt dat het apparaat niet waterpas of wankel staat.

### Het apparaat in-/uitschakelen

- Het apparaat is ingeschakeld zodra het is aangesloten op een geschikt stopcontact. Trek de stekker uit het stopcontact om het apparaat uit te schakelen.
- Er klinkt een geluid als het apparaat wordt aangesloten op het stopcontact.

- Laat het apparaat op de geschikte plaats ongeveer 2 uur rusten voordat u het apparaat gebruikt om schade aan het koelcircuit door het schudden van het koelmiddel te voorkomen.
- Vergrendel de zwenkwielen (2) altijd wanneer u de beoogde positie hebt bereikt, zodat het apparaat niet kan wegglijden.
- Als u de stekker uit het stopcontact hebt getrokken of er een stroomonderbreking heeft plaatsgevonden, wacht dan minimaal 5 minuten voordat u de stekker opnieuw in het stopcontact steekt.
- Trek de stekker uit het stopcontact als het apparaat niet wordt gebruikt.

## Reiniging en onderhoud

**Let op:** Haal de stekker van het apparaat altijd uit het stopcontact alvorens reinigings- & onderhoudswerkzaamheden uit te voeren.

### Reiniging

- De binnen- en buitenoppervlakken mogen worden gereinigd met een vochtige doek en een beetje reinigingsmiddel.
- De schappen kunnen worden verwijderd en mogen worden gewassen in water.
- Gebruik geen waterstraal of stoomreiniger voor het reinigen en dompel het apparaat niet onder in water.
- Geen van de onderdelen mogen worden gewassen in de vaatwasser.
- Reinig het apparaat regelmatig.

Onderdelen	Hoe te reinigen	Opmerking
Alle accessoires zoals schappen, schaphouders, etc.	<ul style="list-style-type: none"><li>• Laat voor ongeveer 10 tot 20 minuten weken in een warm zeepsopje.</li><li>• Spoel grondig af onder de kraan.</li></ul>	Droog alle onderdelen goed na het reinigen.
Externe glasoppervlakken	<ul style="list-style-type: none"><li>• Veeg schoon met een zachte doek een beetje neutraal reinigingsmiddel. Zorg ervoor dat er geen water of vocht in het apparaat kan binnendringen.</li></ul>	
Interne glasoppervlakken	<ul style="list-style-type: none"><li>• Verwijder eventuele voedselafzettingen.</li><li>• Veeg schoon met een zachte doek en een beetje mild reinigingsmiddel. Zorg ervoor dat er geen water of vocht in het apparaat kan binnendringen.</li></ul>	
Glazen deur		

### Het apparaat langdurig buiten gebruik stellen

- **Let op:** Haal de stekker van het apparaat altijd uit het stopcontact.
- Verwijder alle voedingsmiddelen en dranken uit het apparaat.
- Reinig het apparaat zoals beschreven onder "Reiniging en onderhoud. (Zie ==> Reiniging).
- Bewaar het apparaat op een koele, schone plaats en houd het buiten het bereik van kinderen.

## Problemen oplossen

Als het apparaat niet naar behoren functioneert, raadpleeg dan de onderstaande tabel voor een oplossing.  
Als u het probleem nog steeds niet kunt oplossen, neem contact op met de leverancier/dienstverlener.

Problemen	Mogelijke oorzaak	Mogelijke oplossing
Het apparaat start niet met koelen nadat het is aangesloten op het lichtnet.	Thermische beveiliging geactiveerd.	Neem contact op met de leverancier/dienstverlener voor reparatie.
	De compressor is defect.	
	The stekker is niet juist op het stop-contact aangesloten.	Controleer de aansluiting en zorg ervoor dat alle aansluitingen juist zijn aangesloten.
Geen licht nadat er op de AAN / UIT-knop (8) wordt gedrukt	Lamp is defect	Neem contact op met de leverancier / dienstverlener voor reparatie.
Apparaat koelt niet voldoende.	Het apparaat wordt teveel blootgesteld aan direct zonlicht of staat te dicht in de buurt van een warmtebron.	Verplaats het apparaat naar een nieuwe locatie, om blootstelling aan direct zonlicht te voorkomen.
	De deuren zijn niet goed gesloten of de afdichting is defect.	Sluit de deuren goed.
	Teveel voedsel in het apparaat geplaatst.	Plaats minder voedsel in het apparaat.
	Ventilatie onvoldoende.	Controleer of er voldoende ventilatie is en of het apparaat minimaal 10cm uit de buurt van wanden of andere voorwerpen is geplaatst.
Teveel geluid	Het apparaat is niet horizontaal geplaatst.	Controleer en zorg ervoor dat apparaat horizontaal is geplaatst.
	Het apparaat staat in contact met de wand of andere voorwerpen.	Controleer en zorg ervoor dat het apparaat minimaal 10 cm van andere voorwerpen en wanden is geplaatst.
	Er zitten enkele losse onderdelen in het apparaat.	Neem contact op met leverancier/dienstverlener voor reparatie.

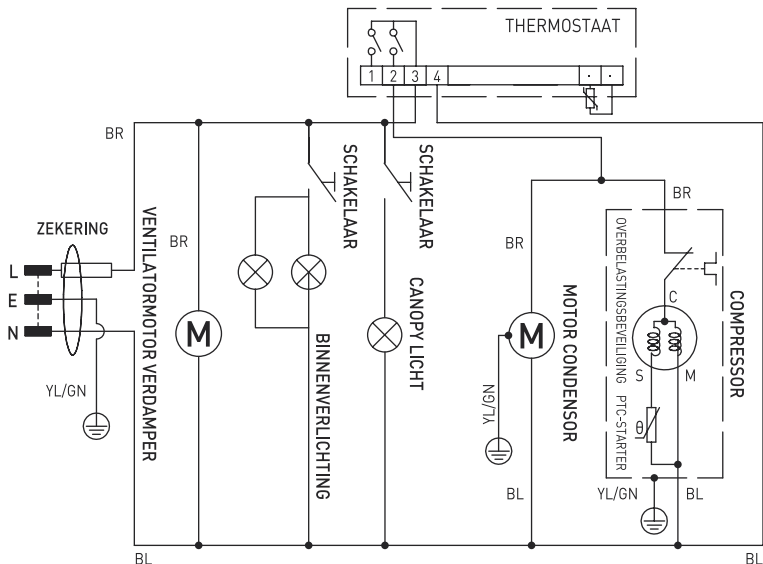
## Technische specificaties

Artikelnr.	233788	233795
Bedrijfsspanning en frequentie	220-240V~ 50Hz	
Nominaal ingangsvermogen	300W	400W
Nominale stroom	1,5 A	2,5 A
Instelbereik temperatuur	2°C tot 10°C	
Aanbevolen temperatuur	4°C	
Beschermingsklasse	Klasse I	
Geluidsniveau	< 60 dB [A]	
Gebruikt koelmiddel en injectiehoeveelheid	R600a / 80g	R290 / 120g
Energie-efficiëntieklasse	E	F
Ontvlambaar schuimmiddel	Cyclopentaan	
Vermogen van verlichting	15W	18W
Klimaatklasse	N-ST	
Capaciteit in kast	313L	618L
Aantal rekken	4	8
Maximale belasting per schap	8kg	
Afmetingen	620x669x(H)1965mm	1120x595x(H)1965mm

**Opmerking: Technische specificaties onderhevig aan verandering zonder kennisgeving.**

**OPMERKING: Energieklasse is in overeenstemming met gebruik in klimaten met een maximale temperatuur van 25 ° C en een maximale luchtvochtigheid van 60%.**

## Elektrisch schema (Artikel 233788, 233795)



---

## Garantie

Elk defect waardoor de werking van het apparaat nadelig wordt beïnvloed dat zich binnen één jaar na aankoop van het apparaat voordoet, wordt gratis hersteld door reparatie of vervanging, mits het apparaat conform de instructies is gebruikt en onderhouden en niet op enigerlei wijze verkeerd is behandeld of misbruikt. Dit laat onverlet uw bij wet bepaalde rechten. Als de garantie van kracht is, vermeld dan waar en wanneer u het apparaat

hebt gekocht en sluit een aankoopbewijs bij (bijv. kassabon of factuur).

Gezien ons streven naar voortdurende verdere productontwikkeling behouden wij ons het recht voor, zonder voorafgaande kennisgeving wijzigingen aan te brengen aan product, verpakking en documentatie.

---

## Verwijdering & milieu

Bij de buitengebruikstelling van het apparaat, mag het niet met het overige huisafval worden verwijderd. In plaats daarvan is het uw verantwoordelijkheid om uw afgedankte apparatuur in te leveren bij een daartoe aangewezen inzamelpunt. Het niet opvolgen van deze regel kan worden bestraft in overeenstemming met de geldende voorschriften voor afvalverwerking. De gescheiden inzameling en recycling van uw afgedankte apparatuur ten tijde van buitengebruikstelling helpt bij de instandhouding van natuurlijke hulpbronnen en waarborgt dat de


apparatuur wordt gerecycled op een manier die de volksgezondheid en het milieu beschermt.

Voor meer informatie over waar u uw afval kunt inleveren voor recycling kunt u contact opnemen met uw lokale afvalverwerkingsbedrijf. De fabrikant en importeurs nemen geen verantwoordelijkheid voor de recycling, behandeling en ecologische verwijdering, hetzij rechtstreeks of via een openbaar systeem.

Drogi Kliencie,

Dziękujemy za zakup tego urządzenia Arctic. Przeczytaj uważnie tę instrukcję, zwracając szczególną uwagę na przepisy bezpieczeństwa przedstawione poniżej, przed zainstalowaniem i używaniem tego urządzenia po raz pierwszy.


## Przepisy bezpieczeństwa

- Niniejsze urządzenie przeznaczone jest do użytku komercyjnego.
- Urządzenie należy używać wyłącznie zgodnie z przeznaczeniem, do którego zostało zaprojektowane zgodnie z opisem w niniejszej instrukcji.
- Producent nie ponosi odpowiedzialności za jakiegokolwiek szkody spowodowane nieprawidłowym działaniem i niewłaściwym użyciem.
- Przechowywać urządzenie i wtyczkę elektryczną z dala od wody i innych płynów. W przypadku, gdy urządzenie wpadnie do wody, natychmiast wyjmij wtyczkę zasilającą z gniazda. Nie używać urządzenia, dopóki nie zostanie sprawdzone przez certyfikowanego technika. Nieprzestrzeganie tych instrukcji spowoduje zagrożenie dla życia.
- Nigdy nie próbuj samodzielnie otwierać obudowy urządzenia.
- Nie wkładaj przedmiotów do obudowy urządzenia.
- Nie dotykać wtyczki mokrymi lub wilgotnymi dłońmi.
-  **Niebezpieczeństwo porażenia prądem!** Nie próbuj samodzielnie naprawiać urządzenia, naprawy mogą być wykonywane wyłącznie przez wykwalifikowany personel..
- **Nigdy nie używaj uszkodzonego urządzenia!** Po uszkodzeniu odłącz urządzenie od gniazda i skontaktuj się ze sprzedawcą.
- **Ostrzeżenie!** Nie zanurzaj części elektrycznych urządzenia w wodzie lub innych płynach.
- Nigdy nie trzymaj urządzenia pod bieżącą wodą.
- Regularnie sprawdzaj wtyczkę zasilającą i przewód pod kątem uszkodzeń. W przypadku uszkodzenia musi zostać zastąpiony przez agenta serwisowego lub podobnie wykwalifikowaną osobę w celu uniknięcia niebezpieczeństwa lub obrażeń.
- Upewnij się, że przewód nie styka się z ostrymi lub gorącymi przedmiotami i trzymaj go z dala od otwartego ognia. Nigdy nie pociągaj za przewód zasilający, aby odłączyć go od gniazda, zawsze za wtyczkę.
- Upewnij się, że przewód zasilający i/lub przedłużacz nie powodują zagrożenia przejazdem.
- Nigdy nie pozostawiaj urządzenia bez nadzoru podczas użytkowania.
- **Ostrzeżenie!** Dopóki wtyczka znajduje się w gnieździe, urządzenie jest podłączone do źródła zasilania.
- Wyłącz urządzenie przed odłączeniem go od gniazda.
- Podłącz wtyczkę do łatwo dostępnego gniazdka elektrycznego, aby w nagłych wypadkach urządzenie mogło zostać natychmiast odłączone.
- Nigdy nie noś urządzenia za przewód.
- Nie należy używać żadnych dodatkowych urządzeń, które nie są dostarczane razem z urządzeniem.
- Podłącz urządzenie tylko do gniazdka elektrycznego z napięciem i częstotliwością wymienioną na etykiecie urządzenia.



- Nigdy nie używaj akcesoriów innych niż zalecane przez producenta. Niezastosowanie się do tego może stanowić zagrożenie dla bezpieczeństwa użytkownika i spowodować uszkodzenie urządzenia. Używaj tylko oryginalnych części i akcesoriów.
- Urządzenie to nie powinno być obsługiwane przez osoby o ograniczonych możliwościach fizycznych, sensorycznych lub umysłowych, ani osoby, które mają brak doświadczenia i wiedzy.
- Urządzenie to w żadnym wypadku nie powinno być używane przez dzieci.
- Przechowywać urządzenie i jego przewód zasilający w miejscu niedostępnym dla dzieci.
- **OSTRZEŻENIE:** ZAWSZE wyłączyć urządzenie i odłączyć od gniazdka elektrycznego przed czyszczeniem, konserwacją lub przechowywaniem.

## Szczególne przepisy bezpieczeństwa

- Urządzenie nie służy do chłodzenia napojów i przechowywania ich przez dłuższy okres czasu. Przed umieszczeniem w urządzeniu napoje powinny zostać wstępnie schłodzone (<6 °C).
- Wszelkie czynności techniczne, t.j. prace montażowe, konserwacyjne i naprawcze powinny zostać przeprowadzone wyłącznie przez wykwalifikowany personel.
- **OSTRZEŻENIE:** Nie używaj przyrządów mechanicznych ani narzędzi innych niż zalecane przez producenta w celu przyspieszenia procesu odmrażania.
- **OSTRZEŻENIE:** Nie wolno doprowadzić do uszkodzenia obiegu czynnika chłodniczego.
-  **Uwaga! Niebezpieczeństwo powstania ognia!** W urządzeniu wykorzystany jest czynnik chłodniczy R600a/ R290. Jest to przyjazny dla środowiska łatwopalny czynnik chłodniczy. Chociaż czynnik jest łatwopalny, nie jest szkodliwy dla warstwy ozonowej i nie ma wpływu na efekt cieplarniany. Wykorzystanie tego czynnika chłodniczego prowadzi jednak do nieznacznego podwyższenia poziomu hałasu wytwarzanego przez urządzenie. Poza hałasem generowanym przez sprężarkę, użytkownik może usłyszeć dźwięk spowodowany przepływem czynnika chłodniczego. Powyższego zjawiska nie da się uniknąć i nie ma ono negatywnego wpływu na funkcjonowanie urządzenia. Podczas transportu i ustawiania urządzenia należy zachować szczególną ostrożność, by nie uszkodzić żadnych części systemu chłodniczego. Wyciekający czynnik chłodniczy może prowadzić do uszkodzenia oczu.
- **Uwaga!** W urządzeniu jako porofor izolacji użyto Cyklopentanu, który jest wysoce łatwopalny!
- **OSTRZEŻENIE:** Nie zasłaniaj otworów wentylacyjnych obudowy urządzenia. W przypadku zabudowania urządzenia upewnij się, czy ma ono zapewnioną właściwą wentylację. Nigdy nie blokuj przepływu powietrza wokół urządzenia, aby zapewnić właściwą cyrkulację powietrza.
- **OSTRZEŻENIE:** Wewnątrz komór szafy chłodniczej nie używaj urządzeń elektrycznych innych niż zalecane przez producenta.
- Urządzenie ustaw wyłącznie na czystej, stabilnej, suchej i poziomej powierzchni.

- Przechowuj z dala od gorących powierzchni i otwartego ognia. Upewnij się, czy urządzenie nie jest narażone na działanie wysokich temperatur, pyłu, promieni słonecznych, wilgoci, kapiącej wody i rozbryzgów.
- Upewnij się, czy wokół urządzenia zachowana została 10 cm przestrzeń w celu zapewnienia właściwej wentylacji.
- Nie uderzaj twardymi narzędziami w szklaną powierzchnię urządzenia. Nie czyść urządzenia za pomocą bezpośredniego strumienia wody lub myjki parowej, nie zanurzaj całego urządzenia w wodzie ze względu na ryzyko porażenia prądem.
- Nie kładź żadnych przedmiotów na urządzeniu. W pobliżu urządzenia nie umieszczaj żadnych źródeł otwartego ognia (np. zapalonych świec). W pobliżu urządzenia nie umieszczaj żadnych przedmiotów napełnionych wodą (np. wazonów).
- Nie przykrywaj urządzenia w trakcie eksploatacji. Stwarza to niebezpieczeństwo pożaru.
- Nie czyść urządzenia za pomocą wody. Mycie urządzenia może spowodować przedostanie się wody do części elektrycznych i doprowadzić do porażenia prądem.
- Nie wywiercaj żadnych dodatkowych otworów w urządzeniu. Nie montuj żadnych dodatkowych akcesoriów na urządzeniu.
- Nie umieszczaj w środku urządzenia dużej ilości żywności, aby zapobiec jego uszkodzeniu. Maksymalne obciążenie każdej półki wynosi ok. 8 kg.
- **ZACHOWAJ OSTROŻNOŚĆ!** Zachowaj ostrożność podczas przenoszenia szklanych powierzchni; chroń je przed uderzeniami, aby uniknąć uszkodzenia urządzenia i obrażeń.
- Nie trzymaj klucza do urządzenia w jego pobliżu ani w zasięgu dzieci. Takie działanie ma zapobiec przypadkowemu zamknięciu się dziecka wewnątrz urządzenia, co może prowadzić do zagrożenia życia.

PL

## Montaż urządzenia

- Urządzenie nie powinno stać przechylone pod kątem większym niż 5°. Po przeprowadzeniu montażu urządzenia odczekaj 2 godziny przed podłączeniem go do źródła zasilania i uruchomieniem. Powyższe zalecenie dotyczy również sytuacji, gdy urządzenie jest w późniejszym terminie przestawiane w inne miejsce.
- Urządzenie musi zostać zamontowane w suchym miejscu.
- Podczas montażu pozostaw co najmniej 10 cm przestrzeni z tyłu oraz po obu stronach urządzenia w celu zapewnienia właściwej wentylacji. Pozostawienie mniejszej przestrzeni może mieć wpływ na wydajność urządzenia.
- Zaleca się montaż urządzenia w miejscu o dobrej wentylacji naturalnej, dzięki czemu urządzenie będzie odpowiednio wentylowane.

## Elementy elektryczne i inne zagrożenia

- Żaden inny sprzęt nie powinien być podłączony do tego samego źródła zasilania, do którego podłączone jest urządzenie.
- Nie umieszczaj w szafie chłodniczej lub w jej pobliżu produktów niebezpiecznych takich jak paliwo, alkohol, farba, materiały łatwopalne i wybuchowe itp. - niebezpieczeństwo pożaru.

- W urządzeniu nie przechowuj leków.
- Po wyłączeniu lub odłączeniu urządzenia od źródła zasilania, odczekaj ok. 5 minut przed jego ponownym uruchomieniem.
- Nie czyść urządzenia za pomocą wody. Mycie urządzenia może spowodować przedostanie się wody do części elektrycznych i doprowadzić do porażenia prądem. Części/akcesoria urządzenia nie nadają się do mycia w zmywarce.

---

### Przeznaczenie

- Urządzenie przeznaczone jest do zastosowania profesjonalnego.
- Niniejsze urządzenie przeznaczone jest wyłącznie do przechowywania napojów, w tym piwa, utrzymania ich niskiej temperatury i wyeksponowania ich w celu sprzedaży w restauracjach, stołówkach lub innych punktach sprzedaży komercyjnej takich jak piekarnie, sklepy, supermarkety itp. Użycie urządzenia w jakimkolwiek innym celu może prowadzić do jego uszkodzenia lub do obrażeń ciała.
- Wykorzystanie urządzenia w jakimkolwiek innym celu uznane będzie za wykorzystanie niezgodne z przeznaczeniem. Użytkownik będzie wyłącznie odpowiedzialny za nieprawidłowe wykorzystanie urządzenia.

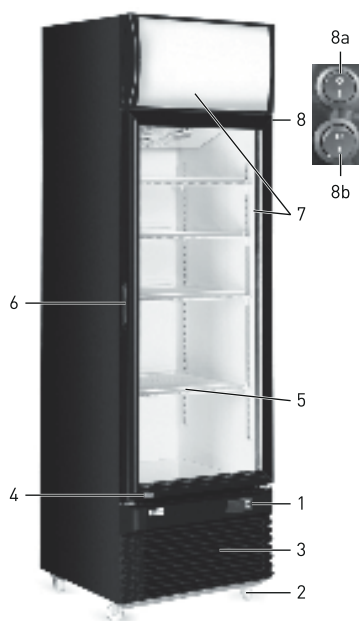
---

### Instalacja uziemienia

Urządzenie to jest klasyfikowane jako **klasa ochronny I** i musi być połączony z podłożem ochronnym. Uziemienie zmniejsza ryzyko porażenia prądem elektrycznym, dostarczając przewód ewakuacyjny dla prądu elektrycznego. To urządzenie jest wy-

posażone w przewód zasilający, który ma przewód uziemiający i uziemioną wtyczkę. Wtyczka musi być podłączona do gniazdka, które jest prawidłowo zainstalowane i uziemione.

## Główne elementy urządzenia



1. Cyfrowy panel sterowania
  - a. Przycisk ustawiania temperatury
  - b. Zwiększenie nastawy temperatury  
Uwaga: Tym przyciskiem nie można włączyć/wyłączyć światła w urządzeniu. Aby włączyć/wyłączyć światło, wciśnij dolny przycisk (8).
  - c. Zmiana nastawionej temperatury
  - d. Zatwierdzenie ustawień/rozmarzanie ręczne
  - e. Wartość temperatury
2. Kółka samonastawne (x4, 2 kółka przednie wyposażone w hamulce)
3. Otwory wentylacyjne
4. Zamek drzwi
5. Półka
6. Uchwyt szklanych drzwi
7. Oświetlenie
8. Włączniki/wyłączniki światła
  - a. Lampa w górnej części witryny
  - b. Żarówka LED wewnątrz witryny

**Uwaga:** Treść niniejszej instrukcji odnosi się do wszystkich wymienionych modeli, o ile nie określono inaczej. Wygląd urządzenia może różnić się od przedstawionego na rysunkach.

## Opis statusu kontroltek

Symbol	Status	Opis
<b>set</b>	PODŚWIETLONA	Tryb wprowadzania ustawień
	NIEPODŚWIETLONA	Urządzenie działa według wprowadzonych ustawień
<b>out</b>	PODŚWIETLONA	Uruchomiona sprężarka - chłodzenie
	NIEPODŚWIETLONA	Sprężarka nie została uruchomiona - brak chłodzenia
	MIGAJĄCA	Przygotowanie do chłodzenia
<b>C</b>	PODŚWIETLONA	Proces chłodzenia
<b>def</b>	PODŚWIETLONA	Proces rozmrażania

## Ustawianie temperatury

- Podłącz urządzenie do odpowiedniego gniazdka elektrycznego.
- Gdy kontrolka „set” nie jest podświetlona, wciśnij i przytrzymaj przez 3-4 sekundy przycisk 1a, aż na wyświetlaczu pojawi się **SE**. Następnie zwolnij przycisk 1a i wciśnij go ponownie.
- Wciśnij przycisk 1b, aby zwiększyć wartość temperatury o 1°C lub wciśnij przycisk 1c, aby zmniejszyć temperaturę o 1°C.
- Następnie wciśnij przycisk 1d, aby potwierdzić wprowadzone ustawienia i wyjść.

Uwaga:

- Jeśli w ciągu 30 sekund nie zostanie wciśnięty żaden przycisk, ustawiona temperatura zostanie automatycznie zapamiętana.

### Rozmrażanie

- Urządzenie rozpocznie proces rozmrażania automatycznie co 6 godzin.

### Ustawianie wysokości półek

- Istnieje możliwość zmiany wysokości rozmieszczenia półek.

### Wskazówki dotyczące instalacji

- Wyjmij urządzenie z kartonowego pudełka, zdejmij wewnętrzne i zewnętrzne opakowanie oraz zabezpieczenia.
- Sprawdź, czy urządzenie nie jest uszkodzone. W przypadku niepełnej dostawy lub uszkodzeń, NIE korzystaj w urządzeniu. Skontaktuj się z dostawcą (Patrz ==> Gwarancja).
- Pozostaw urządzenie w pozycji pionowej przez ok. 2 godziny. Takie działanie ma na celu zmniejszenie zakresu nieprawidłowości w działaniu układu chłodzenia w przypadku niewłaściwego przeniesienia urządzenia podczas transportu.
- Umyj zewnętrzne powierzchnie miękką ściereczką zanurzoną w ciepłej wodzie. (Patrz ==> Czyszczenie i konserwacja).
- Umieść urządzenie na poziomej stabilnej powierzchni, odpornej na działanie wysokich temperatur i rozbryzgi płynów.
- Umieść wszystkie półki stabilnie w urządzeniu.
- Robocza temperatura otoczenia powinna mieścić się w przedziale od 16°C do 30°C. W przeciwnym

- Zakres nastawy temperatury: od 2°C do 10°C.

- Podświetlenie przycisku **def** oznacza rozpoczęcie procesu rozmrażania.

- Zmień wysokość rozmieszczenia półek w zależności od umieszczanych wewnątrz urządzenia produktów.

razie urządzenie może nie działać poprawnie.

- Zapewnij odpowiednią wentylację. Zapewnij co najmniej 10-centymetrowy odstęp wokół urządzenia. Nie zakrywaj otworów wentylacyjnych.
- W celu oszczędzania energii zawsze upewnij się, czy drzwi są zamknięte.
- Upewnij się, czy posiadasz wszystkie akcesoria i narzędzia niezbędne do montażu i obsługi urządzenia. Wymóg ten obejmuje również środki ochrony indywidualnej (np. rękawice, niedotączalne do urządzenia).

Uwaga: Ze względu na pozostałości z procesu produkcyjnego, podczas kilku pierwszych uruchomień z urządzenia może wydobywać się staby, specyficzny zapach. Jest to zjawisko normalne i nie świadczy o uszkodzeniu urządzenia ani zagrożeniu dla użytkownika. Sprawdź, czy urządzenie jest dobrze wentylowane.

### Eksplatacja

#### Ustawianie urządzenia

- Ustaw urządzenie na stabilnym i równym podłożu lub na podłodze.
- Za pomocą poziomiccy (niedotącznej do urządzenia) upewnij się, czy urządzenie jest prawidłowo wypoziomowane. Jeśli stwierdzisz, że urządzenie nie stoi stabilnie lub chwieje się, użyj kliny do mebli.

- Przed rozpoczęciem eksploatacji urządzenia pozostaw je na ok. 2 godziny, aby uniknąć uszkodzenia obiegu chłodzenia wynikające z nieprawidłowego rozprowadzenia czynnika chłodniczego.
- Zawsze blokuj kółka samonastawne (2) po ustawieniu urządzenia w miejscu docelowym, aby zabezpieczyć urządzenie przed przesuwaniem.

## Włączanie i wyłączenie urządzenia (ON/OFF)

- Urządzenie uruchamia się po podłączeniu wtyczki do odpowiedniego gniazdka elektrycznego. Aby wyłączyć urządzenie, wyjmij wtyczkę z gniazdka elektrycznego.
- Po podłączeniu do źródła zasilania, urządzenie wyda sygnał dźwiękowy.
- Po odłączeniu urządzenia lub w przypadku nagłej przerwy w zasilaniu, odczekaj co najmniej 5 minut przed ponownym podłączeniem urządzenia do sieci.
- Kiedy urządzenie nie jest używane, wyjmij wtyczkę z gniazdka.

## Czyszczenie i konserwacja

**Uwaga:** Przed czyszczeniem i konserwacją zawsze odłącz urządzenie od źródła zasilania wyjmując wtyczkę z gniazdka.

### Czyszczenie

- Powierzchnie wewnętrzne i zewnętrzne urządzenia można czyścić przy pomocy wilgotnej ściereczki z niewielką ilością detergentu.
- Półki można wyjąć z urządzenia i umyć zanurzając w wodzie.
- Do czyszczenia urządzenia nie używaj bezpośredniego strumienia wody, myjki parowej, ani nie zanurzaj całego urządzenia w wodzie.
- Części urządzenia nie mogą być czyszczone w zmywarce.
- Czyść urządzenie regularnie.

Części	Czyszczenie	Uwagi
Części urządzenia takie jak półki, wsporniki do nich itp.	<ul style="list-style-type: none"><li>• Zanurz w ciepłej wodzie z mydłem na ok. 10-20 minut.</li><li>• Sptucz dokładnie pod bieżącą wodą.</li></ul>	Dokładnie wysusz wszystkie części.
Zewnętrzne powierzchnie szklane	<ul style="list-style-type: none"><li>• Wytrzyj miękką szmatką z niewielką ilością neutralnego detergentu. Upewnij się, czy do wnętrza urządzenia nie przedostała się woda lub wilgoć.</li></ul>	
Wewnętrzne powierzchnie szklane	<ul style="list-style-type: none"><li>• Usuń resztki żywności.</li><li>• Wytrzyj miękką szmatką z niewielką ilością łagodnego detergentu. Upewnij się, czy do wnętrza urządzenia nie przedostała się woda lub wilgoć.</li></ul>	
Szklane drzwi		

## Przechowywanie urządzenia podczas przerwy w użytkowaniu

- **Uwaga:** Zawsze odłącz urządzenie ze źródła zasilania.
- Usuń z urządzenia wszelką żywność i napoje.
- Umyj urządzenie zgodnie ze wskazówkami zawartymi w punkcie Czyszczenie i konserwacja. (Patrz=> Czyszczenie i konserwacja).
- Przechowuj urządzenie w chłodnym, czystym miejscu poza zasięgiem dzieci.

## Usterki i ich rozwiązania

Jeśli urządzenie nie działa prawidłowo, zapoznaj się z poniższą tabelą w celu znalezienia prawidłowego rozwiązania. Jeśli nie możesz rozwiązać problemu, skontaktuj się z dostawcą.

Problem	Możliwa przyczyna	Możliwe rozwiązanie
Urządzenie nie rozpoczyna procesu chłodzenia po podłączeniu do zasilania.	Uruchomił się bezpiecznik termiczny	Skontaktuj się z dostawcą / usługodawcą w celu naprawy urządzenia.
	Kompresor jest uszkodzony.	
	Wtyczka nie jest prawidłowo podłączona do gniazdka elektrycznego.	Sprawdź i upewnij się, czy wszystkie elementy są prawidłowo podłączone.
Po wciśnięciu przycisku włączenia/wyłączenia światła [8], światło nie zapala się.	Uszkodzone oświetlenie	Skontaktuj się z dostawcą/usługodawcą w celu naprawy urządzenia.
Chłodzenie jest zbyt słabe.	Urządzenie wystawione jest na silne działanie promieni słonecznych lub ustawione jest blisko źródła ciepła.	Przestaw urządzenie w inne miejsce, z dala od bezpośrednich promieni słonecznych..
	Urządzenie wystawione jest na silne działanie promieni słonecznych lub ustawione jest blisko źródła ciepła.	Zamknij prawidłowo drzwi.
	W urządzeniu znajduje się zbyt dużo żywności.	Wymij z urządzenia część żywności.
	Niewystarczająca wentylacja wokół urządzenia.	Upewnij się, czy urządzenie ma zagwarantowaną właściwą wentylację poprzez pozostawienie 10 cm przestrzeni wokół niego.
Urządzenie generuje dużo hałasu.	Urządzenie nie jest ustawione w pozycji poziomej.	Upewnij się, czy urządzenie ustawione zostało w pozycji poziomej.
	Urządzenie styka się ze ścianą lub innymi obiektami.	Upewnij się, czy wokół urządzenia znajduje się co najmniej 10 cm przestrzeni.
	Wewnątrz urządzenia znajdują się obłożone elementy.	Skontaktuj się z dostawcą / usługodawcą w celu naprawy urządzenia.

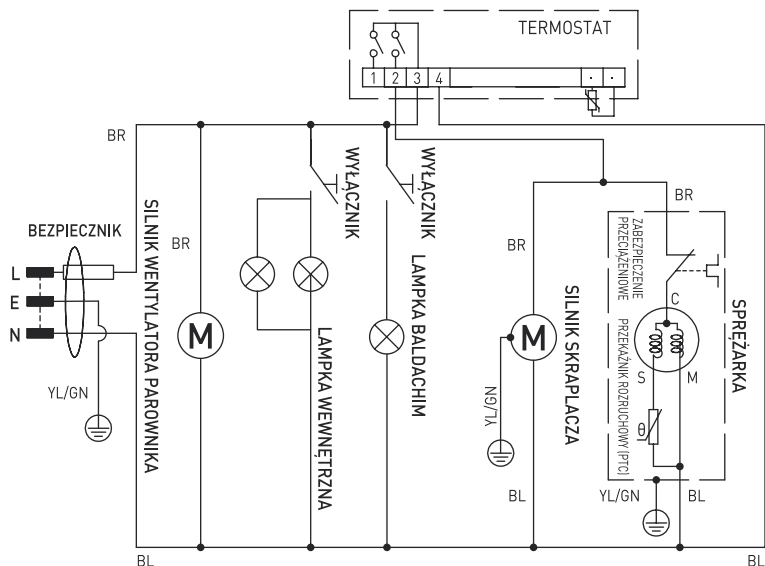
## Specyfikacja techniczna

Nr produktu	233788	233795
Napięcie robocze i częstotliwość	220-240V- 50Hz	
Znamionowy pobór mocy	300W	400W
Prąd znamionowy	1,5 A	2,5 A
Zakres nastaw temperatury	2°C do 10°C	
Zalecane ustawienie temperatury	4°C	
Klasa ochronności	Klasa I	
Poziom hałasu	< 60 dB (A)	
Czynnik chłodniczy / ilość wtryskiwanego czynnika	R600a / 80g	R290 / 120g
Klasa energetyczna	E	F
Porofor izolacji	Cyklopentan	
Moc światła	15W	18W
Klasa klimatyczna	N-ST	
Pojemność szafy	313L	618L
Liczba półek	4	8
Maks. równomierne obciążenie półki	8kg	
Wymiary zewnętrzne	620x669x(H)1965mm	1120x595x(H)1965mm

**Uwagi: Specyfikacja techniczna może ulec zmianie bez uprzedzenia.**

**UWAGA: Klasa energetyczna odnosi się do eksploatacji w określonych warunkach: max temperatura otoczenia 25 °C; max wilgotność otoczenia 60%.**

### Schemat elektryczny (produkt nr 233788, 233795)





## Gwarancja

Każda wada bądź usterka powodująca niewłaściwe funkcjonowanie urządzenia, która ujawni się w ciągu jednego roku od daty zakupu, zostanie bezpłatnie usunięta lub urządzenie zostanie wymienione na nowe, o ile było użytkowane i konserwowane zgodnie z instrukcją obsługi i nie było wykorzystywane w niewłaściwy sposób lub niezgodnie z przeznaczeniem. Postanowienie to w żadnej mierze nie narusza innych praw użytkownika wynikających z przepisów prawa. W przypadku zgłoszenia urzą-

dzenia do naprawy lub wymiany w ramach gwarancji należy podać miejsce i datę zakupu urządzenia i dołączyć dowód zakupu (np. paragon).

Zgodnie z naszą polityką ciągłego doskonalenia wyrobów zastrzegamy sobie prawo do wprowadzania bez uprzedzenia zmian w wyrobie, opakowaniu oraz danych technicznych podawanych w dokumentacji.

## Wycofanie z użytkowania i ochrona środowiska

### Pamiętaj!

**Nie wyrzucaj zużytego sprzętu łącznie z innymi odpadami**

**Nie demontuj zużytych urządzeń zawierających niebezpieczne składniki na własną rękę!**

**Grożą Ci za to kary grzywny!**

Po zakończeniu eksploatacji produktu nie wolno gromadzić razem z odpadami komunalnymi, tylko należy odstawić do punktu odbioru odpadów elektrycznych i elektronicznych. Użytkownik ponosi odpowiedzialność za przekazanie wycofanego z użytkowania urządzenia do punktu gospodarowania odpadami. Nieprzestrzeganie tej zasady może być karane zgodnie z lokalnie obowiązującymi przepisami dotyczącymi gospodarowania odpadami. Jeśli urządzenie wycofane z użytkowania jest poprawnie odebrane jako osobny odpad, może zostać przetworzone i zutyliczowane w sposób przyjazny dla środowiska, co zmniejsza negatywny wpływ na środowisko i zdrowie ludzi. Aby uzyskać więcej informacji dotyczących dostępnych usług w zakresie odbioru odpadów, należy skontaktować się z lokalną firmą odbierającą odpady.



**Symbol przekreślonego kosza na śmieci oznacza, że tego produktu nie wolno wyrzucać do zwykłych pojemników na odpady.**

Zużyte urządzenia elektryczne i elektroniczne mogą zawierać niebezpieczne składniki np. rtęć, ołów, kadm lub freon. Jeśli tego typu substancje przedostaną się w sposób niekontrolowany do środowiska, spowodują skażenie wody i gleby, a także wpłyną niekorzystnie na zdrowie ludzi i zwierząt.

Właściwe postępowanie ze zużytym sprzętem zapobiega potencjalnym negatywnym konsekwencjom dla środowiska naturalnego i ludzkiego zdrowia.


Jednocześnie oszczędzamy naturalne zasoby naszej Ziemi wykorzystując powtórnie surowce uzyskane z przetwarzania sprzętu.

Cher client,

Merci d'avoir acheté cet appareil Arktic. Lisez attentivement ce manuel, en accordant une attention particulière aux règles de sécurité décrites ci-dessous, avant d'installer et d'utiliser cet appareil pour la première fois.

---

## Règlement sur la sécurité

- L'appareil est destiné à un usage commercial.
- N'utilisez l'appareil qu'aux fins prévues pour lesquelles il a été conçu comme décrit dans le présent manuel.
- Le fabricant n'est pas responsable des dommages causés par un mauvais fonctionnement et une mauvaise utilisation.
- Gardez l'appareil et la prise électrique à l'écart de l'eau et des autres liquides. Dans le cas où l'appareil tombe dans l'eau, retirez immédiatement la prise d'alimentation de la prise. N'utilisez pas l'appareil tant qu'elle n'a pas été vérifiée par un technicien certifié. Si vous ne respectez pas ces instructions, vous risquez de mettre la vie en danger.
- N'essayez jamais d'ouvrir le boîtier de l'appareil par vous-même.
- N'insérez pas d'objets dans le boîtier de l'appareil.
- Ne touchez pas la prise avec les mains mouillées ou humides.
-  **Danger de choc électrique!** N'essayez pas de réparer l'appareil par vous-même, les réparations doivent être effectuées uniquement par du personnel qualifié.
- **N'utilisez jamais un appareil endommagé!** Lorsqu'il est endommagé, débranchez l'appareil de la prise et contactez le détaillant.
- **Avertissement!** Ne pas immerger les parties électriques de l'appareil dans de l'eau ou d'autres liquides.
- Ne tenez jamais l'appareil sous l'eau courante.
- Vérifiez régulièrement la prise d'alimentation et le cordon pour tout dommage. Lorsqu'il est endommagé, il doit être remplacé par un agent de service ou une personne qualifiée de la même manière afin d'éviter un danger ou une blessure.
- Assurez-vous que le cordon n'entre pas en contact avec des objets tranchants ou chauds et maintenez-le à l'écart du feu ouvert. Ne tirez jamais le cordon d'alimentation pour le débrancher de la prise, tirez toujours la prise à la place.
- Assurez-vous que le cordon d'alimentation et/ou le rallonge ne présentent pas de risque de déclenchement.
- Ne laissez jamais l'appareil sans surveillance pendant l'utilisation.
- **Avertissement!** Tant que la prise est dans la prise, l'appareil est connectée à la source d'alimentation.
- Éteignez l'appareil avant de le débrancher de la prise.
- Connectez la prise d'alimentation à une prise électrique facilement accessible afin qu'en cas d'urgence l'appareil puisse être débranché immédiatement.
- Ne portez jamais l'appareil par le cordon.
- N'utilisez pas de périphériques supplémentaires qui ne sont pas fournis avec la solution matérielle-logicielle.

- Connectez uniquement l'appareil à une prise électrique dont la tension et la fréquence sont indiquées sur l'étiquette de l'appareil.
- N'utilisez jamais d'accessoires autres que ceux recommandés par le fabricant. Le fait de ne pas le faire pourrait présenter un risque pour la sécurité de l'utilisateur et pourrait endommager l'appareil. Utilisez uniquement des pièces et accessoires d'origine.
- Cet appareil ne doit pas être utilisé par des personnes ayant des capacités physiques, sensorielles ou mentales réduites, ou par des personnes qui ont un manque d'expérience et de connaissances.
- Cet appareil ne doit en aucun cas être utilisé par des enfants.
- Gardez l'appareil et son cordon d'alimentation hors de portée des enfants.
- **ATTENTION:** éteignez TOUJOURS l'appareil et débranchez de la prise d'alimentation avant le nettoyage, l'entretien ou le stockage.

## Consignes particulières de sécurité

- L'appareil n'est pas conçu pour refroidir et stocker les boissons pendant une longue période. Les boissons doivent être pré-réfrigérées avant d'être placées dans l'appareil (<6 °C).
- Toutes les activités techniques, c'est-à-dire les travaux de montage, de maintenance et de réparation ne doivent être effectués que par un personnel qualifié.
- **AVERTISSEMENT:** N'utilisez jamais de dispositifs mécaniques ou des outils autres que ceux recommandés par le fabricant pour accélérer le dégivrage.
- **AVERTISSEMENT:** Faites attention à ne pas endommager le circuit du réfrigérant.
-  **Attention! Risque d'incendie!** L'appareil utilise le fluide frigorigène R600a/R290. C'est un réfrigérant inflammable respectueux de l'environnement. Bien qu'il soit inflammable, il n'est pas dangereux pour la couche d'ozone et n'affecte pas l'effet de serre. Cependant, l'utilisation de ce réfrigérant provoque une légère augmentation du niveau de bruit émis par l'appareil. Outre le bruit généré par le compresseur, l'utilisateur peut entendre un bruit provoqué par le flux du fluide frigorigène. Ce phénomène est inévitable mais il n'a aucun impact négatif sur le fonctionnement de l'appareil. Pendant le transport et l'installation de l'appareil, il faut garder des précautions particulières pour ne pas endommager les pièces du système de réfrigération. La fuite du fluide frigorigène peut entraîner les lésions oculaires.
- L'isolant, qui a été utilisé dans cet appareil, est du Cyclopentane. Une substance hautement inflammable.
- **AVERTISSEMENT:** N'obstruez pas les bouches de ventilation dans le boîtier de l'appareil. En cas d'installation fixe de l'appareil, assurez-vous qu'il y a une ventilation adéquate. Ne bloquez jamais de flux d'air autour de l'appareil pour ne pas entraîner une bonne circulation d'air.
- **AVERTISSEMENT:** N'utilisez pas à l'intérieur des chambres du réfrigérateur de l'équipement électrique autre que ceux recommandés par le fabricant.

- Placez l'appareil sur une surface propre, stable, plane et sec.
- Stockez loin des surfaces chaudes et des flammes nues. Assurez-vous que l'appareil n'est pas exposé à des températures élevées, à la poussière, à la lumière du soleil, à l'humidité, aux éclaboussures et aux gouttes d'eau.
- Laissez au moins 10 cm d'espace autour de l'appareil pour assurer une bonne ventilation.
- Ne frappez pas les éléments en verre avec des outils durs. Ne nettoyez pas l'appareil à l'aide d'un jet d'eau direct ou un nettoyeur à vapeur, ne rincez pas à l'eau – risque d'un choc électrique, n'immergez pas l'appareil dans l'eau à cause du risque de choc électrique.
- Ne placez rien sur l'appareil. Ne placez pas près de l'appareil ou sur l'appareil d'objets brûlants (par exemple des bougies allumées). Ne placez pas près de l'appareil ou sur l'appareil d'objets remplis d'eau (par exemple des vases).
- Ne couvrez pas l'appareil lors de l'utilisation en raison du risque d'incendie.
- Ne nettoyez pas l'appareil avec de l'eau. Le lavage de l'appareil peut provoquer la pénétration de l'eau dans des pièces électriques et entraîner un choc électrique.
- Ne percez pas les trous supplémentaires dans l'appareil. Ne montez aucun équipement supplémentaire dans l'appareil.
- Ne placez pas à l'intérieur de l'appareil trop de nourriture pour éviter tout dommage. La charge maximale de l'étagère est de 8 kg environ.
- N'essayez pas d'entrer sur l'appareil.
- **MISE EN GARDE!** Faites attention pendant le transport des surfaces en verre; protégez-les contre les coups pour éviter tout dommage à l'appareil et des blessures.
- Tenez la clé de l'appareil loin de la machine et hors la portée des enfants. Cette démarche a pour but de protéger l'enfant contre une fermeture involontaire à l'intérieur de l'appareil qui risquerait de mettre sa vie en danger.

FR

### Installation de l'appareil

- L'appareil ne doit pas être incliné à un angle supérieur à 5°. Après l'installation de l'appareil, attendez 2 heures avant de connecter l'appareil à une source d'alimentation et avant de le mettre en marche. Cette recommandation vaut également lorsque l'appareil est déplacé dans un autre endroit.
- L'appareil doit être monté dans un endroit sec.
- Lors de l'installation, laissez au moins 10 cm à l'arrière et des deux côtés de l'appareil pour assurer une ventilation adéquate. Si vous laissez moins d'espace, cela peut affecter l'efficacité de l'appareil.
- Il est recommandé d'installer l'appareil dans un endroit avec une bonne ventilation naturelle, de sorte que l'appareil est correctement ventilé.

## Éléments électriques et autres risques

- Ne branchez aucun autre équipement à la même source d'alimentation à laquelle l'appareil est connecté.
- Ne placez pas dans le réfrigérateur ou à proximité des produits dangereux tels que le carburant, l'alcool, la peinture, les matériaux inflammables et explosifs en raison du risque d'incendie.
- Ne stockez pas dans le réfrigérateur des médicaments.
- Après avoir débranché l'appareil de la source d'alimentation, attendez environ 5 minutes avant de le redémarrer.
- Le lavage de l'appareil peut provoquer la pénétration de l'eau dans des pièces électriques et entraîner un choc électrique. Aucune pièce ou aucun accessoire de l'appareil ne peuvent pas être lavé(s) au lave-vaisselle.
- Wait about 5 minutes before switch on the appliance again after the appliance has been switched off or unplugged from the electrical power supply.
- Do not wash the appliance with water. Washing can cause leakage and increase the risk of electric shock. No any parts/accessories can be under dishwasher.

---

### Destination de l'appareil

- L'appareil est destiné à un usage professionnel.
- Cet appareil est conçu uniquement pour stocker des boissons, y compris la bière, pour les conserver à une température fraîche et pour les exposer dans le but de les vendre dans les restaurants, les cantines ou dans d'autres points de vente tels que les boulangeries, les boucheries, les supermarchés, etc. L'utilisation de l'appareil à d'autres fins peut entraîner des dommages ou des blessures.
- L'utilisation de l'appareil à d'autres fins sera considérée comme une utilisation inappropriée. L'utilisateur sera seul responsable de l'utilisation incorrecte de l'appareil.

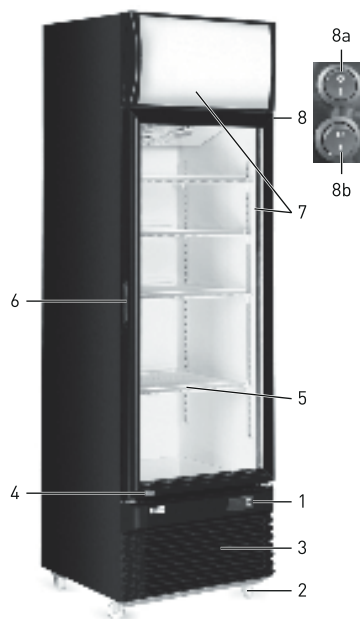
---

### Installation de mise à la terre

Cet appareil est classé dans la **classe de protection I** et doit être raccordé à un sol de protection. La mise à la terre réduit le risque de choc électrique en fournissant un fil d'évacuation pour le courant électrique. Cet appareil est équipé d'un cordon

d'alimentation muni d'un fil de mise à la terre et d'une prise mise à la terre. La fiche doit être branchée sur une prise correctement installée et mise à la terre.

## Éléments principaux constituant l'appareil



1. Panneau de commande numérique
  - a. Bouton de réglage de température
  - b. Augmentation de réglage de température  
Attention : Ce bouton ne sert pas à allumer/éteindre l'éclairage dans l'appareil. Pour allumer/éteindre l'éclairage, appuyez sur le bouton en bas (8).
  - c. Diminuer la température
  - d. Validation des paramètres/ dégivrage manuel
  - e. Valeur de la température réglée
2. Roulettes (x4, 2 roues avant équipées de freins)
3. Trous de ventilation
4. Serrure de porte
5. Étagère
6. Poigné de la porte en verre
7. Éclairage
8. Interrupteurs / Interrupteurs d'éclairage
  - a. Lampe dans la partie supérieure de la vitrine
  - b. Ampoule LED à l'intérieur de la vitrine

Attention: Le contenu de ce manuel s'applique à tous les modèles mentionnés, sauf indication contraire. L'aspect de l'appareil peut différer de celui démontré sur les figures.

### Caractéristiques des voyants

Symbole	État	Description
<b>set</b>	ALLUMÉ	Mode de réglage
	NON ALLUMÉ	L'appareil fonctionne conformément aux réglages
<b>out</b>	ALLUMÉ	Compresseur en marche - refroidissement
	NON ALLUMÉ	Compresseur n'a pas été mis en marche – pas de refroidissement
	CLIGNOTEMENT	Préparation au refroidissement
<b>C</b>	ALLUMÉ	Processus de refroidissement
<b>def</b>	ALLUMÉ	Processus de dégivrage

## Réglage de la température

- Branchez l'appareil à une prise électrique appropriée.
- Lorsque le voyant « set » n'est pas allumé, appuyez sur le bouton 1a pendant 3 à 4 secondes jusqu'à ce que **SE** apparaisse sur l'afficheur. Ensuite, relâchez le bouton 1a et réappuyez.
- Appuyez sur le bouton 1b pour augmenter la valeur de la température de 1°C ou appuyez sur le bouton 1c pour diminuer la valeur de la température de 1°C.

## Dégivrage

- L'appareil commencera le processus de dégivrage automatiquement toutes les 6 heures.

## Réglage de la hauteur des étagères

- Il est possible de changer la hauteur de la disposition des étagères.

- Ensuite, appuyez sur le bouton 1d pour valider les paramètres introduits et sortir.

Attention:

- Si vous n'appuyez sur aucun bouton dans les 30 secondes, la température définie sera automatiquement enregistrée.
- Plage de réglage de la température : 2°C à 10°C.

- L'allumage du bouton **def** signifie lancement du processus de dégivrage.

- Changez la hauteur de disposition des étagères en fonction des produits placés à l'intérieur de l'appareil.

## Instructions d'installation

- Sortez l'appareil de la boîte en carton, retirez l'emballage intérieur et extérieur ainsi que les protections.
- Vérifiez si l'appareil n'est pas endommagé. NE JAMAIS UTILISER l'appareil en cas d'une livraison incomplète ou des endommagements. Contactez le fournisseur (Voir==> Garantie)
- Laissez l'appareil en position verticale pendant environ 2 heures. Cette action permet de réduire le nombre de défauts dans le fonctionnement du système frigorifique en cas d'une mauvaise maintenance de l'appareil pendant le transport.
- Lavez les surfaces extérieures avec un chiffon doux trempé dans l'eau chaude. (Voir ==> Nettoyage et maintenance).
- Placez l'appareil sur une surface plane et stable, résistante aux températures élevées et aux projections de liquide.
- Fixez bien toutes les étagères dans l'appareil.
- La température ambiante de fonctionnement doit être comprise entre 16°C et 30°C. À défaut, l'appareil risque de ne pas fonctionner correctement.

- Assurez une bonne ventilation. Prévoyez un espace d'au moins 10 cm autour de l'appareil. Ne couvrez pas les trous de ventilation.

- Pour réduire la consommation d'énergie, assurez-vous toujours que la porte est fermée.

- Assurez-vous que l'appareil a tous les accessoires et outils nécessaires pour l'installation et l'utilisation de l'appareil. Cette exigence concerne également l'équipement de protection individuelle (p.ex. les gants, hors équipement d'appareil).

Attention : En raison des résidus provenant des procédés de production, lors des premières mises en marches l'appareil peut émettre une faible odeur spécifique. Il s'agit d'un phénomène normal qui n'indique pas une avarie de l'appareil ni aucun danger pour l'utilisateur. Vérifiez si l'appareil est bien ventilé.

## Exploitation

### Réglage de l'appareil

- Placez l'appareil sur une surface stable et plane ou sur le sol.
- À l'aide d'un niveau à bulle (hors équipement d'appareil) assurez-vous si l'appareil est correctement mis à niveau. Si vous constatez que l'appareil ne tient pas stable ou qu'il se balance, utilisez une cale à meuble.
- Avant de procéder à l'exploitation de l'appareil, laissez-le pendant environ 2 heures inactif pour éviter l'endommagement du circuit frigorifique dû à une mauvaise distribution du réfrigérant.
- Bloquez toujours les roulettes (2) après avoir mis l'appareil à son emplacement finale pour éviter tout déplacement.

### Allumer et éteindre l'appareil (ON/OFF)

- L'appareil se met en marche après avoir branché la fiche à une prise électrique appropriée. Pour éteindre l'appareil, débranchez la fiche de la prise électrique.
- Après la connexion à une source d'alimentation, l'appareil émettra un avertissement sonore.
- Après la déconnexion de l'appareil ou en cas de panne de courant, attendez au moins 5 minutes avant de reconnecter l'appareil à une source d'alimentation.
- Lorsque l'appareil n'est pas utilisé, débranchez la fiche de la prise électrique.

## Nettoyage et entretien

**Attention:** Avant le nettoyage et l'entretien de l'appareil, débranchez l'appareil de la source d'alimentation en retirant la fiche de la prise électrique.

### Nettoyage

- Nettoyez les surfaces internes et externes de l'appareil avec un chiffon humide avec une petite quantité de détergent.
- Les étagères peuvent être retirées de l'appareil et lavées dans l'eau.
- N'utilisez pas pour le nettoyage les jets d'eau et les nettoyeurs à vapeur et n'immergez pas l'appareil entier dans l'eau.
- Certains éléments de l'appareil peuvent être nettoyés au lave-vaisselle.
- Nettoyez l'appareil régulièrement.

Eléments	Nettoyage	Observations
Les éléments tels que les étagères, les supports des étagères etc.	<ul style="list-style-type: none"><li>• Rincez à l'eau tiède savonneuse pendant 10-20 minutes.</li><li>• Rincez précisément à l'eau courante.</li></ul>	Essuyez précisément tous les éléments.
External glass surfaces	<ul style="list-style-type: none"><li>• Essuyez avec un chiffon doux et une petite quantité de détergent neutre. Assurez-vous que l'eau ou l'humidité ne pénètrent pas à l'intérieur de l'appareil.</li></ul>	
Interior glass surfaces	<ul style="list-style-type: none"><li>• Retirez les restes de nourriture.</li><li>• Essuyez avec un chiffon doux et une petite quantité de détergent neutre. Assurez-vous que l'eau ou l'humidité ne pénètrent pas à l'intérieur de l'appareil.</li></ul>	
Glass door		



## Stockage de l'appareil pendant la pause dans l'utilisation

- **Attention:** Débranchez toujours l'appareil.
- Retirez de l'appareil toute la nourriture et toutes les boissons.
- Nettoyez l'appareil selon les instructions contenues dans le point Nettoyage et entretien (Voir ==> Nettoyage et entretien).
- Tenez l'appareil dans un endroit frais et propre hors de portée des enfants.

## Dépannage

Si l'appareil ne fonctionne pas correctement, lisez les instructions dans le tableau ci-dessous pour trouver une bonne solution. Si vous ne pouvez pas résoudre le problème, contactez votre revendeur.

Problème	Cause possible	Solution possible
L'appareil ne démarre pas le processus de refroidissement après avoir connecté à une source d'alimentation.	Le fusible thermique s'est démarré	Contactez votre fournisseur / revendeur afin de réparer l'appareil.
	Le compresseur est endommagé.	
	La fiche est incorrectement branchée à une prise électrique.	Assurez-vous que tous les éléments de l'appareil sont correctement connectés.
Après avoir appuyé sur le bouton allumer/éteindre l'éclairage (8), la lumière ne s'allume pas.	Panne d'éclairage	Contactez votre fournisseur/ prestataire de service pour réparer l'appareil.
Le refroidissement est trop faible	L'appareil est exposé aux rayons solaires ou positionné à proximité de la source de chaleur.	Déplacez l'appareil dans un autre endroit, à l'abri des rayons du soleil.
	La porte est mal fermée ou le joint d'étanchéité est endommagé.	Fermez bien la porte.
	Il y a trop de nourriture dans l'appareil.	Retirez une partie de nourriture.
	Une ventilation insuffisante autour de l'appareil.	Assurez-vous qu'il y a une ventilation adéquate autour de l'appareil, en laissant 10 cm d'espace autour de l'appareil
L'appareil génère beaucoup de bruit.	L'appareil n'est pas positionné dans la position horizontale.	Assurez-vous que l'appareil positionné dans la position horizontale.
	L'appareil est en contact avec le mur ou d'autres objets.	Assurez-vous qu'il y a 10 cm d'espace autour de l'appareil.
	A l'intérieur de l'appareil il y a des éléments en vrac.	Contactez votre fournisseur / revendeur afin de réparer l'appareil.

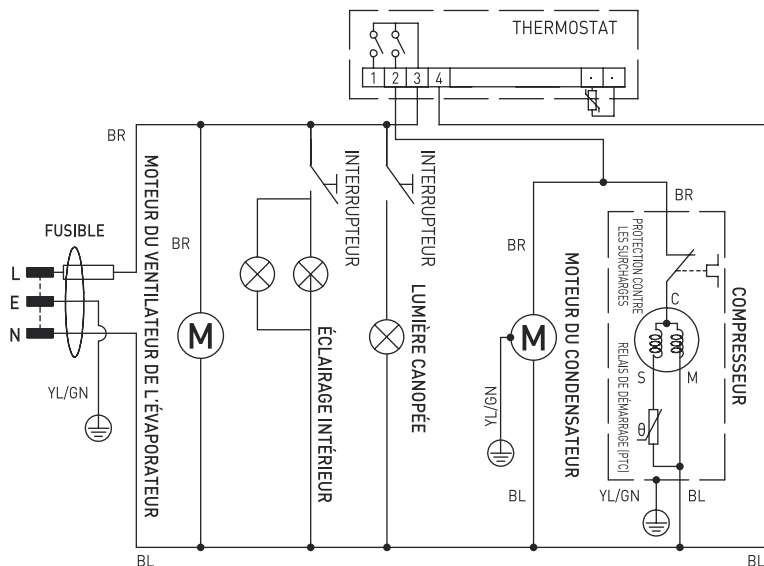
## Caractéristiques techniques

Produit n°	233788	233795
Tension de fonctionnement et fréquence	220-240V~ 50Hz	
Puissance nominale	300W	400W
Courant nominal	1,5 A	2,5 A
Plage de température	2°C à 10°C	
Règlage température recommandée	4°C	
Classe de protection	Classe I	
Niveau de bruit	< 60 dB [A]	
Réfrigérant / quantité de réfrigérant injecté	R600a / 80g	R290 / 120g
Classe énergétique	E	F
Agent d'expansion inflammable	Cyclopentane	
Puissance de la lumière	15W	18W
Classe climatique	N-ST	
Capacité du réfrigérateur	313L	618L
Nbre d'étagères	4	8
Max. poids par plateau	8kg	
Dimensions extérieurs	620x669x(H)1965mm	1120x595x(H)1965mm

**Remarque : Les caractéristiques peuvent être modifiées sans préavis.**

**NOTE : La classe énergétique est conforme à une utilisation dans des climats avec une température maximale de 25 °C et une humidité maximale de 60%.**

### Schéma électrique (produit n° 233788, 233795)



---

## Garantie

Tout vice ou toute défaillance entraînant un dysfonctionnement de l'appareil qui se déclare dans les 12 mois suivant la date de l'achat sera éliminé à titre gratuit ou l'appareil sera remplacé par un appareil nouveau si le premier a été dûment exploité et entretenu conformément aux termes de la notice d'exploitation et s'il n'a pas été indûment exploité ou de manière non conforme à sa destination. La présente stipulation ne porte pas de préjudice aux autres droits de l'utilisateur prévus par les dispositions légales. Dans le cas où l'appareil est donné à la réparation ou doit être remplacé

dans le cadre de la garantie, il y a lieu de spécifier le lieu et la date de l'achat de l'appareil et produire un justificatif nécessaire (par ex. facture ou ticket de caisse).

Conformément à notre politique d'amélioration permanente de nos produits, nous nous réservons le droit d'introduire sans avertissement préalable des modifications à l'appareil, à l'emballage et aux caractéristiques techniques précisées dans la documentation.

---

## Élimination et protection de l'environnement


En cas de retrait du produit de l'exploitation l'appareil ne peut pas être jeté avec d'autres déchets ménagers. L'utilisateur est responsable de la remise de l'équipement au point de collecte approprié pour l'équipement usagé. Le non-respect des dispositions ci-dessus peut entraîner les pénalités conformément à la réglementation applicable en matière d'élimination des déchets. La collecte sélective et le recyclage des équipements usagés contribuent à la conservation des ressources natu-

relles et assurent un recyclage sans danger pour la santé et l'environnement.

Pour plus d'informations sur les endroits de collecte des équipements usagés pour le recyclage, contactez la société de collecte des déchets locale. Le producteur et l'importateur ne sont pas responsables du recyclage et du traitement des déchets d'une manière respectueuse de l'environnement directement et dans le système public.

Grazie per aver acquistato questo apparecchio Arktic. Leggere attentamente questo manuale, prestando particolare attenzione alle norme di sicurezza descritte di seguito, prima di installare e utilizzare questo apparecchio per la prima volta.

## Norme di sicurezza

- Questo apparecchio è destinato all'uso commerciale.
- Utilizzare l'apparecchio solo per lo scopo previsto per il quale è stato progettato come descritto nel presente manuale.
- Il produttore non è responsabile per eventuali danni causati da un funzionamento scorretto e da un uso improprio.
- Tenere l'apparecchio e la spina elettrica lontano da acqua e altri liquidi. Nel caso in cui l'apparecchio cada in acqua, rimuovere immediatamente la spina di alimentazione dalla presa. Non utilizzare l'apparecchio fino a quando non è stato controllato da un tecnico certificato. Il mancato rispetto di queste istruzioni causerà rischi pericolosi per la vita.
- Non tentare mai di aprire l'alloggiamento dell'apparecchio da soli.
- Non inserire oggetti nell'alloggiamento dell'apparecchio.
- Non toccare la spina con le mani bagnate o umide.
-  **Pericolo di scosse elettriche!** Non tentare di riparare l'apparecchio da solo, le riparazioni devono essere eseguite solo da personale qualificato.
- **Non utilizzare mai un apparecchio danneggiato!** Quando è danneggiato, scollegare l'apparecchio dalla presa e contattare il rivenditore.
- **Avvertimento!** Non immergere le parti elettriche dell'apparecchio in acqua o altri liquidi.
- Non tenere mai l'apparecchio sotto l'acqua corrente.
- Controllare regolarmente la spina e il cavo di alimentazione per eventuali danni. Se danneggiato, deve essere sostituito da un agente di servizio o da una persona altrettanto qualificata al fine di evitare pericoli o lesioni.
- Assicurarsi che il cavo non entri in contatto con oggetti appuntiti o caldi e tenerlo lontano dal fuoco aperto. Non tirare mai il cavo di alimentazione per scollegarlo dalla presa, staccare sempre la spina.
- Assicurarsi che il cavo di alimentazione e/o la prolunga non causino rischi di inciampare.
- Non lasciare mai l'apparecchio incustodito durante l'uso.
- **Avvertimento!** Finché la spina si trova nella presa, l'apparecchio è collegato alla fonte di alimentazione.
- Spegnerne l'apparecchio prima di scollegarlo dalla presa.
- Collegare la spina di alimentazione a una presa elettrica facilmente accessibile in modo che in caso di emergenza l'apparecchio possa essere scollegato immediatamente.
- Non portare mai l'apparecchio con il cavo.
- Non utilizzare dispositivi aggiuntivi non forniti insieme all'apparecchio.
- Collegare l'apparecchio a una presa elettrica solo con la tensione e la frequenza indicati sull'etichetta dell'apparecchio.

- Non utilizzare mai accessori diversi da quelli consigliati dal produttore. In caso contrario, potrebbe comportare un rischio per la sicurezza dell'utente e danneggiare l'apparecchio. Utilizzare solo parti e accessori originali.
- Questo apparecchio non deve essere utilizzato da persone con capacità fisiche, sensoriali o mentali ridotte o da persone che hanno una mancanza di esperienza e conoscenze.
- Questo apparecchio non deve, in nessun caso, essere utilizzato dai bambini.
- Tenere l'apparecchio e il suo cavo di alimentazione fuori dalla portata dei bambini.
- **ATTENZIONE:** spegnere SEMPRE l'apparecchio e scollegarlo dalla presa di corrente prima della pulizia, della manutenzione o della conservazione.

## Norme di sicurezza speciali

- L'apparecchio non deve essere utilizzato per raffreddare le bevande e per conservarle per un lungo periodo di tempo. Prima di mettere le bevande all'interno dell'apparecchio esse devono essere preraffreddate (<6 °C).
- Tutte le attività tecniche, ad es. i lavori di montaggio, manutenzione e riparazione devono essere eseguiti esclusivamente da personale qualificato.
- **AVVERTENZA:** Non usare dispositivi meccanici o strumenti diversi da quelli consigliati dal produttore per accelerare il processo di sbrinamento.
- **AVVERTENZA:** Fare attenzione non danneggiare il circuito del refrigerante.



**Attenzione! Pericolo d'incendio!** Il refrigerante R600a/ R290 è utilizzato nell'apparecchio. È un gas infiammabile, non è nocivo per l'ambiente. Anche se sia un agente infiammabile, non è nocivo per lo strato di ozono e non ha alcun impatto sull'effetto serra. Però, l'uso di questo refrigerante provoca un leggero aumento del livello di rumore emesso dall'apparecchio. Oltre al rumore generato dal compressore l'utente può sentire anche il rumore causato dal flusso di refrigerante. Il fenomeno sopra descritto non può essere evitato e non ha alcun effetto negativo sul funzionamento dell'apparecchio. Durante il trasporto e il posizionamento dell'apparecchio, si deve prestare particolare attenzione a non danneggiare alcuna parte del sistema di refrigerazione. La perdita di refrigerante può causare danni agli occhi.

- Nel dispositivo è utilizzato un agente schiumogeno (per schiumare la schiuma isolante) Ciclopentano. È un agente altamente infiammabile.
- **AVVERTENZA:** Non ostruire le aperture dell'involucro dell'apparecchio. In caso di installazione fissa dell'apparecchio, assicurarsi che c'è una ventilazione adeguata. Non bloccare il flusso d'aria intorno all'apparecchio per garantire una buona circolazione dell'aria.
- **AVVERTENZA:** Non utilizzare all'interno delle camere del frigorifero apparecchi elettrici altri da quelli raccomandati dal fabbricante.
- L'apparecchio deve essere posto su una superficie pulita, stabile, asciutta e orizzontale.
- Tenere lontano da superfici calde e fiamme libere. Assicurarsi che l'apparecchio non è esposto a temperature elevate, polvere, luce solare, umidità, sprizzi e gocce d'acqua.

- Assicurarsi che intorno all'apparecchio è stato lasciato circa 10 cm di spazio per garantire una corretta ventilazione.
- Non colpire le parti in vetro con gli strumenti rigidi. Non pulire l'apparecchio utilizzando il flusso diretto di acqua o il pulitore a vapore, non immergere tutto l'apparecchio in acqua per le ragioni del rischio di scossa elettrica.
- Non mettere qualsiasi oggetto sull'apparecchio. Non mettere vicino all'apparecchio o sull'apparecchio qualsiasi oggetto che brucia (ad es. candele). Non mettere vicino all'apparecchio qualsiasi oggetto con l'acqua (p. es. vasi).
- Non coprire l'apparecchio durante il funzionamento. Questo crea un pericolo di incendio.
- Non pulire la macchina con acqua. La pulizia dell'apparecchio può provocare la penetrazione dell'acqua nelle parti elettriche e provocare scossa elettrica.
- Non eseguire fori supplementari nell'apparecchio. Non installare apparecchiature aggiuntive sull'apparecchio.
- Non mettere nell'apparecchio.
- Non cercare di entrare sull'apparecchio.
- **ATTENZIONE!** Fare attenzione durante lo spostamento di superfici vetrate. Proteggerle dagli urti per evitare danni all'apparecchio o lesioni.
- Non tenere la chiave vicino all'apparecchio o alla portata dei bambini. Questa azione serve a prevenire la chiusura accidentale del bambino all'interno dell'apparecchio e evitare il pericolo di vita.

## Installazione dell'apparecchio

- L'apparecchio non deve essere inclinato di un angolo maggiore di 5°. Dopo l'installazione aspettare due ore prima di collegarlo ad una fonte di alimentazione e avviarlo. Questa raccomandazione si applica anche quando l'apparecchio è successivamente spostato in un altro luogo.
- L'apparecchio deve essere installato in un luogo asciutto.
- Durante l'installazione lasciare almeno 10 cm di spazio dal retro e su entrambi i lati dell'unità per assicurare un'adeguata ventilazione. Lasciando meno spazio, si può influire sulle prestazioni dell'apparecchio.
- Si raccomanda di installare l'apparecchio in un luogo con una buona ventilazione naturale, in modo che l'apparecchio sia correttamente ventilato.

## Elementi elettrici e altri pericoli

- Non si deve collegare qualsiasi altro apparecchio alla stessa sorgente di alimentazione.
- Non mettere nel frigorifero o vicino i prodotti pericolosi come carburante, alcool, vernici, materiali infiammabili e esplosivi – pericolo di incendio.
- Non conservare nel frigorifero i farmaci.
- Dopo aver spento o scollegato l'apparecchio dalla fonte di alimentazione, attendere circa 5 minuti prima di riavviare.
- Non pulire la macchina con acqua. La pulizia dell'apparecchio può provocare la penetrazione dell'acqua nelle parti elettriche e provocare scossa elettrica. Le parti e gli accessori dell'apparecchio non possono essere lavati in lavastoviglie.

---

### Destinazione del dispositivo

- Il dispositivo è destinato all'uso professionale.
- Questo apparecchio è destinato esclusivamente per conservare le bevande, compresa la birra, mantenendo la bassa temperatura e per esporre le bevande in ristoranti, mense o altri punti di commerciali come panetterie, macellerie, supermercati, ecc. L'uso del dispositivo per qualsiasi altro scopo può causare danni o lesioni.
- L'uso del dispositivo per qualsiasi altro scopo sarà considerato un uso improprio. L'utente sarà l'unico responsabile per l'uso scorretto del dispositivo.

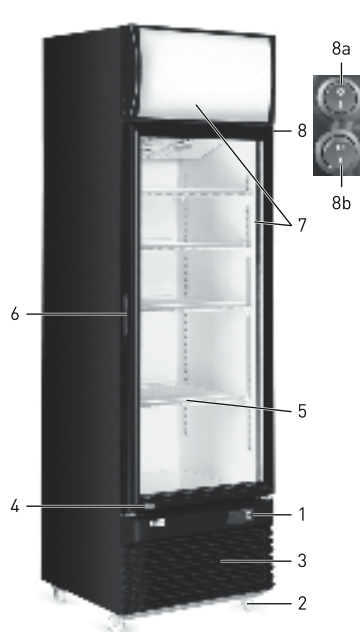
---

### Installazione di messa a terra

Questo apparecchio è classificato come **classe di protezione I** e deve essere collegato a un terreno di protezione. La messa a terra riduce il rischio di scosse elettriche fornendo un filo di fuga per la corrente elettrica. Questo apparecchio è dotato di

un cavo di alimentazione che ha un cavo di messa a terra e una spina messa a terra. La spina deve essere collegata a una presa correttamente installata e messa a terra.

## Parti principali dell'apparecchio



1. Pannello di controllo digitale
  - a. Pulsante di impostazione della temperatura
  - b. Aumento dell'impostazione della temperatura  
Nota: Questo pulsante non serve a accendere / spegnere la luce nell'apparecchio. Per accendere / spegnere la luce, premere il pulsante in basso (8).
  - c. Riduzione della temperatura
  - d. Conferma dell'impostazione/ sbrinamento manuale
  - e. Valore impostato della temperatura
2. Rotelle autoregolabili (x4, 2 rotelle anteriori dotate di freni)
3. Fori di ventilazione
4. Serratura della porta
5. Scaffale
6. Maniglia della porta di vetro
7. Spia
8. Interruttori della luce
  - a. Lampada nella parte superiore della vetrina
  - b. Lampadina LED all'interno della vetrina

**Nota:** il contenuto di questo manuale si applica a tutti i modelli menzionati, se non diversamente specificato. L'aspetto dell'apparecchio può differire da quello mostrato nei disegni.

### Descrizione dello stato delle spie

Simbolo	Stato della spia	Descrizione
<b>set</b>	ILLUMINATA	La modalità di impostazione
	NON ILLUMINATA	L'apparecchio funziona in base alle impostazioni effettuate
<b>out</b>	ILLUMINATA	Il compressore avviato - raffreddamento
	NON ILLUMINATA	Il compressore non è stato avviato - nessun raffreddamento
	LAMPEGGIANTE	La preparazione per il raffreddamento
<b>C</b>	ILLUMINATA	Il processo di raffreddamento
<b>def</b>	ILLUMINATA	Il processo di sbrinamento



## Impostazione della temperatura

- Collegare l'apparecchio a una presa elettrica appropriata.
- Quando la spia „set“ non è illuminata, premere e tenere premuto il pulsante 1° per 3-4 secondi fino a che sul display appare **SE**. Quindi rilasciare il pulsante 1° e premerlo di nuovo.
- Premere il pulsante 1b per aumentare il valore della temperatura di 1°C o premere il pulsante 1c per ridurre la temperatura di 1°C.

## Sbrinamento

- L'apparecchio avvia automaticamente il processo di sbrinamento ogni 6 ore.

## Regolazione dell'altezza degli scaffali

- È possibile modificare l'altezza degli scaffali.

- Quindi premere il pulsante 1d per confermare le impostazioni effettuate e per uscire.

### NOTA:

- Se entro 30 secondi non è premuto alcun pulsante, la temperatura impostata sarà automaticamente salvata.
- Intervallo di temperatura: da 2°C a 10°C.

- L'illuminazione **def** pulsante def significa l'avvio del processo di sbrinamento.

- Modificare l'altezza degli scaffali a seconda di prodotti posizionati all'interno dell'apparecchio.

---

## Istruzioni per l'installazione

- Rimuovere l'apparecchio dalla scatola di cartone, ritirare l'imballaggio interno ed esterno e le protezioni.
- Controllare se l'apparecchio è danneggiato. In caso di consegna incompleta o danni, NON utilizzare l'apparecchio. Contattare il fornitore (vedere ==> Garanzia).
- Lasciare l'apparecchio in posizione verticale per circa 2 ore. Questa operazione dovrebbe ridurre le irregolarità nel funzionamento del sistema di raffreddamento in caso di spostamento improprio dell'apparecchio durante il trasporto.
- Lavare le superfici esterne con un panno morbido imbevuto di acqua tiepida. (Vedere ==> Pulizia e manutenzione).
- Collocare l'apparecchio su una superficie piana e stabile resistente alle alte temperature e agli schizzi d'acqua.
- Mettere tutti i ripiani stabilmente nell'apparecchio.
- La temperatura ambiente di lavoro deve essere compresa tra 16 ° C e 32 ° C, altrimenti l'apparecchio potrebbe non funzionare correttamente.

- Assicurare un'adeguata ventilazione. Fornire almeno uno spazio di 10 cm attorno all'apparecchio. Non coprire le fori di ventilazione.
- Per risparmiare energia, tenere sempre la porta sia chiusa.
- Assicurarsi che tutti gli accessori e gli strumenti indispensabili per l'installazione e l'uso dell'apparecchio sono disponibili. Questo requisito comprende anche l'equipaggiamento di protezione personale (p.es. i guanti di protezione che non sono forniti con l'apparecchio).

Nota: a causa dei residui del processo di produzione, durante il primo avvio dell'apparecchio un odore debole e specifico può essere emesso dall'apparecchio. Questo è un fenomeno normale e non indica alcun danno all'apparecchio o pericolo per l'utente. Controllare se l'apparecchio è ben ventilato.

## Funzionamento

### Posizionamento dell'apparecchio

- Collocare l'apparecchio su una superficie piana o sul pavimento.
- Utilizzare una livella (non fornita con l'apparecchio) per assicurarsi che l'apparecchio sia correttamente livellato. In caso di constatare che l'apparecchio non è stabile o vacilla, utilizzare un cuneo per mobili.
- Prima di cominciare l'uso dell'apparecchio, lasciarlo per circa 2 ore per evitare danni al circuito di raffreddamento dovuti a una distribuzione del refrigerante.
- Bloccare sempre le rotelle autoregolabili (2) dopo aver posizionato l'apparecchio sul luogo di destinazione per proteggerlo dallo spostamento.

### Accensione e spegnimento dell'apparecchio (ON/OFF)

- L'apparecchio è avviato dopo aver collegato la spina a una presa elettrica adeguata. Per spegnere l'apparecchio, scollegare la spina dalla presa.
- Dopo aver collegato l'apparecchio ad una fonte di alimentazione, esso emette un segnale acustico.
- Dopo aver scollegato l'apparecchio o in caso di interruzione di corrente improvvisa, attendere almeno 5 minuti prima di ricollegarlo alla rete.
- Quando l'apparecchio non è in uso, rimuovere la spina dalla presa elettrica.

## Pulizia e manutenzione

**Attenzione:** Prima di pulizia e manutenzione scollegare sempre la spina dalla fonte di alimentazione, togliendo la spina dalla presa elettrica.

### Pulizia

- Le superfici interne ed esterne dell'apparecchio possono essere pulite con un panno umido con una piccola quantità di detersivo.
- I ripiani possono essere rimossi e lavati in acqua.
- Non pulire l'apparecchio utilizzando il flusso diretto di acqua o il pulitore a vapore.
- Le parti dell'apparecchio non possono essere lavate in lavastoviglie.
- Pulire regolarmente l'apparecchio

Elemento	Pulizia	Osservazioni
Le parti dell'apparecchio come ripiani, supporti per ripiani ecc.	<ul style="list-style-type: none"><li>• Immergere in acqua calda e sapone per circa 10-20 minuti.</li><li>• Risciacquare con acqua corrente.</li></ul>	Asciugare accuratamente tutte le parti.
Superfici esterne di vetro	<ul style="list-style-type: none"><li>• Pulire con un panno morbido e una piccola quantità di detersivo. Assicurarsi che l'acqua o l'umidità non hanno penetrati l'interno dell'apparecchio.</li></ul>	
Superfici interne di vetro	<ul style="list-style-type: none"><li>• Rimuovere i residui di cibo.</li><li>• Pulire con un panno morbido e una piccola quantità di detersivo. Assicurarsi che l'acqua o l'umidità non hanno penetrati l'interno dell'apparecchio.</li></ul>	
Porta di vetro		

### Stoccaggio dell'apparecchio quando non è usato

- **Attenzione:** Scollegare sempre l'apparecchio dalla fonte di alimentazione.
- Rimuovere dall'apparecchio tutto il cibo e le bevande.
- Pulire l'apparecchio secondo le istruzioni contenute nella parte Pulizia e manutenzione (Vedi=> Pulizia e manutenzione).
- Conservare in un luogo fresco e pulito fuori dalla portata dei bambini.

## Risoluzione dei problemi

Se l'apparecchio non funziona correttamente, leggere la tabella qui sotto per trovare la soluzione corretta. Se non è possibile risolvere il problema, contattare il rivenditore.

Problema	Causa possibile	Soluzione possibile
L'apparecchio non avvia il processo di raffreddamento dopo aver collegato alla fonte di alimentazione.	Il fusibile termico è avviato	Contattare il fornitore / il venditore per riparare l'apparecchio.
	Il compressore è danneggiato.	
	La spina non è direttamente collegata alla presa elettrica.	Controllare e assicurarsi che tutti i componenti sono collegati correttamente.
Dopo aver premuto il pulsante di accensione / spegnimento della luce (8), la luce non si accende.	Illuminazione difettosa	Contattare il fornitore del prodotto / di servizi per la riparazione dell'apparecchio.
Il raffreddamento è troppo debole.	L'apparecchio è esposto alla luce solare o posizionato vicino alla fonte di calore.	Spostare l'apparecchio in un altro luogo, lontano dalla luce solare diretta.
	La porta non è chiusa correttamente o la guarnizione è danneggiata.	Chiudere bene la porta.
	All'interno dell'apparecchio c'è troppo cibo.	Rimuovere dall'apparecchio una parte di cibo.
	La ventilazione insufficiente intorno all'unità.	Assicurarsi che la ventilazione adeguata è garantita all'apparecchio, lasciando 10 cm di spazio intorno all'apparecchio.
L'apparecchio genera troppo rumore	L'apparecchio non è in posizione orizzontale.	Assicurarsi che l'apparecchio è in una posizione orizzontale.
	L'apparecchio tocca la parete o altri oggetti.	Assicurarsi che intorno all'apparecchio 10 cm di spazio è lasciato.
	All'interno dell'apparecchio ci sono gli elementi sciolti.	Contattare il fornitore / il venditore per riparare l'apparecchio.

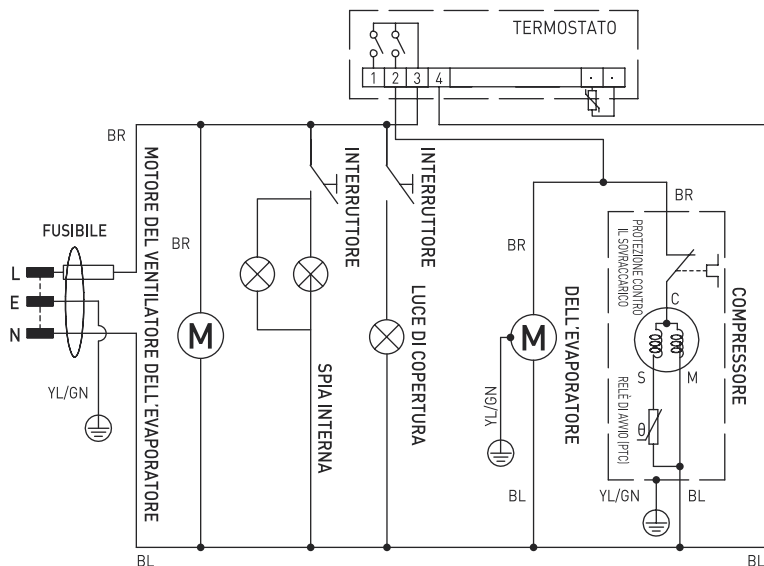
## Specifiche tecniche

N. di prodotto	233788	233795
Tensione e frequenza	220-240V~ 50Hz	
Consumo di energia nominale	300W	400W
Corrente nominale	1,5 A	2,5 A
Intervallo di temperatura	2°C a 10°C	
Impostazione consigliate di temperatura	4°C	
Classe di protezione	Classe I	
Livello di rumore	< 60 dB (A)	
Refrigerante / quantità di refrigerante	R600a / 80g	R290 / 120g
Classe energetica	E	F
Agente schiumogeno infiammabile	Ciclopentano	
Potenza della luce	15W	18W
Classe climatica	N-ST	
Capacità del frigorifero	313L	618L
Numero di scaffali	4	8
Carico massimo per scaffale	8kg	
Dimensioni esterne	620x669x(H)1965mm	1120x595x(H)1965mm

**Attenzione: Le specifiche tecniche sono soggette a modifiche senza preavviso.**

**NOTA: la classe energetica è conforme al funzionamento in climi con una temperatura massima di 25°C e un'umidità massima del 60%.**

### Schema elettrico (prodotto n. 233788, 233795)



---

## **Garanzia**

Qualsiasi difetto che influenza la funzionalità del dispositivo che compaia entro un anno dall'acquisto sarà corretto a titolo interamente gratuito o con la sostituzione del prodotto che è stato utilizzato e sottoposto a manutenzione corretta seguendo le istruzioni, senza alcuna violazione. I diritti legali del cliente non sono assolutamente modificati. Nel caso in cui l'intervento di manutenzione o sostitu-

zione sia previsto nel periodo di validità della garanzia, precisare dove e quando si è acquistato il prodotto, possibilmente allegando lo scontrino.

In linea con la nostra politica di sviluppo continuo dei prodotti, ci riserviamo il diritto di modificare il prodotto, l'imballo e le specifiche di documentazione, senza notifica alcuna.

---

## **Smaltimento e protezione dell'ambiente**

In caso di ritiro dell'apparecchiatura dal funzionamento il prodotto non può essere smaltito con altri rifiuti domestici. L'utente è responsabile della consegna dell'attrezzatura al punto di raccolta appropriato per l'attrezzatura usata. Il mancato rispetto delle disposizioni sopramenzionate può comportare l'imposizione di sanzioni in conformità con le normative vigenti in materia di smaltimento dei rifiuti. La raccolta e il riciclaggio selettivi di attrezzature usate contribuiscono alla conservazione delle risorse naturali e garantiscono il riciclaggio


in modo tale da non nuocere alla salute e all'ambiente.

Per ulteriori informazioni sui luoghi di smaltimento delle apparecchiature usate per il riciclaggio, contattare la società locale di raccolta dei rifiuti. Il produttore e l'importatore non sono responsabili per il riciclaggio e il trattamento dei rifiuti in modo ecologico, sia direttamente che nel quadro del sistema pubblico.

Stimate client,

Vă mulțumim pentru achiziționarea acestui aparat Arctic. Citiți cu atenție acest manual, acordând o atenție deosebită reglementărilor de siguranță prezentate mai jos, înainte de a instala și utiliza acest aparat pentru prima dată.

## Regulile de siguranță

- Acest aparat este destinat uzului comercial.
- Utilizați aparatul numai în scopul pentru care a fost proiectat conform descrierii din acest manual.
- Producătorul nu este răspunzător pentru nici o deteriorare cauzată de funcționarea incorectă și de utilizarea necorespunzătoare.
- Păstrați aparatul și ștecherul departe de apă și de alte lichide. În cazul în care aparatul cade în apă, scoateți imediat ștecherul de alimentare din priză. Nu utilizați aparatul înainte de verificarea acestuia de către un tehnician certificat. Nerespectarea acestor instrucțiuni va cauza riscuri care pun viața în pericol.
- Nu încercați niciodată să deschideți singur carcasa aparatului.
- Nu introduceți obiecte în carcasa aparatului.
- Nu atingeți ștecherul cu mâinile umede sau umede.
-  **Pericol de șoc electric!** Nu încercați să reparați singur aparatul, reparațiile trebuie efectuate numai de personal calificat.
- **Nu folosiți niciodată un aparat deteriorat!** Când este deteriorat, deconectați aparatul de la priză și contactați distribuitorul.
- **Avertisment!** Nu scufundați părțile electrice ale aparatului în apă sau alte lichide.
- Nu țineți niciodată aparatul sub jet de apă.
- Verificați cu regularitate ștecherul și cablul de alimentare pentru orice deteriorare. În cazul deteriorării, acesta trebuie înlocuit de un agent de service sau de o persoană calificată în mod similar, pentru a evita pericolul sau rănirea.
- Asigurați-vă că cablul nu intră în contact cu obiecte ascuțite sau fierbinți și păstrați-l departe de focul deschis. Nu trageți niciodată cablul de alimentare pentru a-l deconecta de la priză, trageți întotdeauna ștecherul în schimb.
- Asigurați-vă că cablul de alimentare și/sau cablul prelungitor nu provoacă pericol de deplasare.
- Nu lăsați niciodată aparatul nesupravegheat în timpul utilizării.
- **Avertisment!** Atâta timp cât ștecherul este în priză, aparatul este conectat la sursa de alimentare.
- Opriti aparatul înainte de a-l deconecta de la priză.
- Conectați ștecherul la o priză electrică ușor accesibilă, astfel încât, în caz de urgență, aparatul să poată fi deconectat imediat.
- Nu purtați niciodată aparatul de cablu.
- Nu utilizați dispozitive suplimentare care nu sunt furnizate împreună cu aparatul.
- Conectați aparatul numai la o priză electrică cu tensiunea și frecvența menționate pe eticheta aparatului.

- Nu folosiți niciodată alte accesorii decât cele recomandate de producător. Nerespectarea acestui lucru ar putea reprezenta un risc de siguranță pentru utilizator și ar putea deteriora aparatul. Utilizați numai piese originale și accesorii.
- Acest aparat nu trebuie operat de persoane cu capacități fizice, senzoriale sau mentale reduse sau de persoane care au o lipsă de experiență și cunoștințe.
- Acest aparat nu ar trebui, în nici un caz, să fie utilizat de copii.
- Nu lăsați aparatul și cablul de alimentare la îndemâna copiilor.
- **AVERTISMENT:** Opriti întotdeauna aparatul și deconectați de la priză înainte de curățare, întreținere sau depozitare.

## Reguli speciale de siguranță

- Aparatul nu este destinat răcirii băuturilor sau depozitării acestora pe o perioadă lungă de timp. Acestea trebuie mai întâi răcite (< 6 °C) înainte de a fi introduse în aparat.
- Toate activitățile tehnice, precum lucrări de instalare, întreținere sau reparații, trebuie efectuate numai de personal de service calificat.
- **AVERTISMENT:** Nu utilizați instrumente mecanice sau alte mijloace pentru a accelera dezghețarea, altele decât cele recomandate de producător.
- **AVERTISMENT:** Nu deteriorați circuitul de agent frigorific.



**Atenție! Risc de incendiu!** Agentul frigorific utilizat la acest aparat este R600a/ R290. Acesta este un agent frigorific inflamabil, fără efecte adverse asupra mediului. Deși este inflamabil, el nu afectează stratul de ozon și nu amplifică efectul de seră. Utilizarea acestui agent frigorific a condus însă la o creștere ușoară în nivelul de zgomot al aparatului. În afară de zgomotul produs de compresor, este posibil să auziți și curgerea agentului frigorific prin sistem. Acest lucru este inevitabil și nu are un efect negativ asupra performanțelor aparatului. Trebuie întotdeauna avută grijă la transportarea și instalarea aparatului, astfel încât niciuna din părțile sistemului de răcire să nu fie avariate. Scurgerile de agent frigorific pot vătăma ochii.

- Agentul de suflare a spumei folosit în acest aparat este Ciclopentan. Acesta este foarte inflamabil.
- **AVERTISMENT:** Nu obstrucționați orificiile pentru ventilație de pe carcasa aparatului. La montaj trebuie asigurat că structura din jur permite o bună ventilație. Nu blocați niciodată intrarea și ieșirea aerului, lăsați liberă circulația aerului.
- **AVERTISMENT:** Nu utilizați aparate electrice în compartimentele de depozitare ale aparatului decât dacă sunt de tipul recomandat de producător.
- Puneți aparatul doar pe o suprafață de lucru curată, stabilă, uscată și plană.
- Țineți aparatul la distanță de suprafețele fierbinți și de focul deschis. Protejați aparatul contra căldurii, prafului, luminii solare directe, umezelii, picăturilor și apei împrăscate.
- În timpul funcționării lăsați un spațiu liber de cel puțin 10 cm în jurul aparatului pentru ventilație.
- Nu folosiți ustensile dure atunci când umblați la suprafața de sticlă. Nu folosiți niciodată jeturi de apă sau de abur pentru a curăța; nu scufundați aparatul în apă deoarece piesele

se vor uda ceea ce ar duce la scurt-circuite.

- Nu puneți obiecte pe aparat. Nu puneți obiecte care conțin surse de foc (de exemplu, lumânări) pe aparat sau lângă acesta. Nu așezați obiecte care conțin apă (de exemplu vase) pe sau lângă aparat.
- Nu acoperiți niciodată aparatul în timpul utilizării. Acest lucru poate prezenta un pericol de incendiu.
- Nu spălați aparatul cu apă. La spălare se pot produce scurgeri, ceea ce va crește riscul de scurt-circuit.
- Nu faceți goluri suplimentare în aparat. Nu instalați alte dispozitive în aparat.
- Nu supraîncărcați grătarul din interior pentru a evita stricăciunile. Sarcina max. pe care o suportă grătarul este de aproximativ 8kg.
- Nu încercați să vă suiți pe aparat.
- **ATENȚIE!** Manipulați cu atenție suprafețele de sticlă; protejați-le de impact pentru a evita pagubele materiale și vătămarea corporală.
- Nu lăsați cheia lângă aparat sau la îndemâna copiilor. Astfel îi veți împiedica pe copii să se încuie accidental pe dinăuntru și să își pună viețile în pericol.

### Instalarea aparatului

- Aparatul nu trebuie înclinat la mai mult de 5°. După ce ați instalat aparatul așteptați 2 ore înainte de a-l conecta la sursa de curent și de a-l porni. Același lucru este valabil și dacă aparatul este ulterior mutat.
- Aparatul trebuie întotdeauna instalat într-un mediu uscat.
- La instalare, în spatele și în părțile laterale ale aparatului trebuie lăsat un spațiu liber de cel puțin 10 cm. Lăsarea unui spațiu mai mic poate afecta eficiența aparatului.
- Recomandăm insistent ca aparatul să fie instalat în locuri cu o bună ventilație naturală pentru ca ventilația să se facă mai bine.

### Componente electrice și alte pericole

- Niciun alt aparat nu trebuie cuplat la priza la care este cuplat acest aparat.
- Nu puneți în aparat sau în vecinătatea acestuia niciun fel de produse periculoase cum ar fi combustibilii, alcoolul, vopseaua, produsele inflamabile sau explozive etc., din cauza riscului de incendiu.
- Nu păstrați medicamente în aparat.
- Așteptați cca 5 minute înainte de a porni aparatul din nou după ce aparatul a fost oprit sau scos din priză.
- Nu spălați aparatul cu apă. La spălare se pot produce scurgeri, ceea ce va crește riscul de scurt-circuit. Nicio piesă/accesoriu ale aparatului nu pot fi puse în mașina de spălat vase.



## Destinația produsului

- Acesta este un aparat de uz profesional.
- Acest aparat este destinat exclusiv pentru a păstra berea, inclusiv băuturile, în stare rece și pentru a le prezenta spre vânzare cu amănuntul în restaurante, cantine, alte unități comerciale precum brutării, măcelării, supermarketuri etc. Orice altă utilizare poate provoca avarierea aparatului sau accidentarea persoanelor.

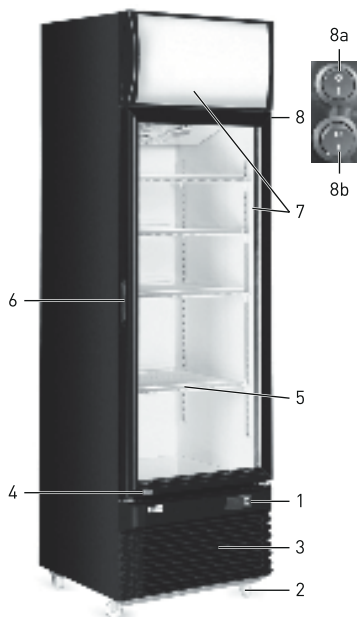
- Utilizarea aparatului în orice alt scop reprezintă o utilizare incorectă. Utilizatorul este singurul răspunzător de orice utilizare incorectă a aparatului.

## Instalare împământare

Acest aparat este clasificat ca **clasa de protecție I** și trebuie conectat la un sol de protecție. Împământarea reduce riscul de șoc electric prin furnizarea unui cablu de evacuare pentru curentul

electric. Acest aparat este echipat cu un cablu de alimentare care are un fir de împământare și ștecher cu împământare. Ștecherul trebuie conectat la o priză instalată și împământată corespunzător.

## Principalele piese ale aparatului



1. Panou de comandă digital
  - a. Buton Configurare pentru setarea temperaturii
  - b. Creșterea temperaturii

Notă: Aparatul nu poate fi pornit/oprit de la acest buton. Apăsăți butonul (8) pentru a porni/opri lumina.

  - c. Scăderea valorii setate a temperaturii
  - d. Confirmare setare / decongelare manuală
  - e. Cifre temperatură
2. Rotile (x4, 2 rotile frontale cu frâne)
3. Răsuflătoare de aerisire
4. Încuietura ușii
5. Carcasă
6. Mânerul ușii de sticlă
7. Lumină
8. Comutatoare de pornire / oprire a luminii
  - a. Cutie de conexiuni
  - b. Iluminat cu leduri în interiorul vitrinei

**Observație:** Prevederile din acest manual se aplică tuturor modelelor menționate, cu excepția cazurilor în care se specifică altfel. Aspectul aparatului poate fi diferit de cel din ilustrații.

## Descrierea stării indicatorului luminos

Indicator simbol	Stare	Descriere
<b>set</b>	PORNIRE	În modul de setare
	OPRIRE	Funcționare în condițiile de setare
<b>out</b>	PORNIRE	Compresorul funcționează, iar răcirea este activă
	OPRIRE	Compresorul nu funcționează, iar răcirea nu este activă
	FLASH	Pregătirea procesului de răcire
<b>C</b>	PORNIRE	În proces de refrigerare
<b>def</b>	PORNIRE	În proces de decongelare

### Setare temperatură

- Se conectează la o priză adecvată.
- Când indicatorul de setare luminos este OPRIT, apăsați și mențineți apăsat butonul 1a. pentru 3 până la 4 secunde până **Se** când este afișat pe ecran. Apoi, eliberați butonul 1a. și apăsați butonul 1a. din nou.
- Apoi, apăsați butonul 1b. pentru a crește temperatura de setare cu 1°C sau apăsați butonul 1c. pentru a scădea cu 1°C.

- După aceea, apăsați butonul 1d. pentru a confirma setarea și ieșiți.

Notă:

- Dacă niciun buton nu este apăsat timp de 30 secunde, temperatura nou setată va fi stocată în memorie automat.
- Intervalul de setare a temperaturii este de la 2°C la 10°C.

### Decongelare

- Aparatul va începe în mod automat procesul de decongelare la fiecare 6 ore.

- Când indicatorul **def** este PORNIT, aparatul se află în proces de decongelare.

### Ajustarea înălțimii raftului

- Înălțimea fiecărui raft poate fi reglată.

- Ajustați înălțimea fiecărui raft în funcție de înălțimea articolelor.

### Instrucțiuni de instalare

- Scoateți aparatul din cutia de carton și apoi îndepartați ambalajul și învelitorile externe și interne.
- Asigurați-vă că aparatul nu este defect. În cazul în care livrarea este incompletă sau dacă există avarii, NU utilizați aparatul. Luați legătura cu furnizorul (Vezi ==> Garanția).
- Lăsați aparatul în poziție verticală timp de aproximativ 2 ore. Acest lucru reduce funcționarea defectuoasă a sistemului de răcire cauzată de manipularea neadecvată din timpul transportului.
- Curățați suprafața interioară cu apă caldă și o lavetă moale. (Vezi ==> Curățarea și întreținerea).
- Amplasați aparatul pe o suprafață orizontală, stabilă și rezistentă la căldură, care este protejată împotriva stropilor de apă.
- Fixați toate rafturile în interiorul aparatului.

- Temperatura ambientală optimă de lucru este între 16°C și 30°C. În caz contrar, funcționalitatea va fi limitată.
- Asigurați-vă că există suficientă ventilație. Lăsați o distanță minimă de 10 cm în jurul aparatului. Nu blocați orificiile de ventilație.
- Pentru a economisi energie, asigurați-vă întotdeauna că este închisă ușa.
- Verificați dacă aveți toate accesoriile și sculele necesare pentru montare și utilizare. Aici intră și echipamentul individual de protecție (ex. mănușile; nu este inclus în livrare).

Notă: Resturile rămase din fabricație pot face ca aparatul să emită un ușor miros în timpul primelor cicluri de funcționare. Acest lucru este normal și nu este un semn de defecțiune sau de pericol. Asigurați-vă că aparatul este bine ventilat.

## Modul de utilizare

### Amplasare

- Puneți aparatul pe o suprafață/podea stabilă plană.
- Asigurați-vă că aparatul este nivelat corespunzător folosind o nivelă cu bulă de aer (nu este furnizată). Utilizați pene de nivelare a mobilierului dacă detectați că aparatul nu este nivelat sau se clatină.
- Mențineți aparatul în poziția prevăzută timp de aproximativ 2 ore înainte de operare pentru a preveni deteriorarea circuitului de răcire prin agitarea agentului frigorific.
- Blocați întotdeauna rotilele (2) după ce ați ajuns la poziția dorită pentru a nu lăsa vitrina să se deplaseze singură.

### Pornirea/Oprirea aparatului

- Aparatul este pornit atunci când este conectat la o sursă de alimentare electrică adecvată. Deconectați pur și simplu pentru a opri aparatul.
- La conectarea la sursa de alimentare se va auzi un sunet.
- Așteptați cel puțin 5 minute înainte de a conecta din nou aparatul după ce a fost deconectat sau curentul a fost întrerupt brusc.
- Deconectați aparatul atunci când nu îl folosiți.

## Curățarea și întreținerea

**Atenție:** Scoateți întotdeauna aparatul din priză înainte de a-l curăța și de a face întreținerea.

### Curățare

- Curățați suprafețele exterioare și interioare cu o cârpă umedă și puțin detergent.
- Grătarele pot fi scoase și spălate în apă.
- Nu curățați aparatul cu jet de apă sau în mașina de curățat cu aburi și nici nu îl scufundați în apă.
- Niciuna din piese nu poate fi curățată în mașina de spălat vase.
- Curățați aparatul în mod regulat.

Piese	Cum se curăță	Observații
Toate accesoriile cum ar fi grătarele, suporturile pentru grătare etc.	<ul style="list-style-type: none"><li>• Scufundați în apă caldă, cu săpun timp de aproximativ 10 minute până la 20 de minute.</li><li>• Clătiți bine sub jet de apă de la robinet.</li></ul>	La sfârșit uscați bine aceste piese.
Suprafețele vitrate exterioare	<ul style="list-style-type: none"><li>• Se curăță ștergând-o cu o cârpă moale și un detergent neutru. Aveți grijă ca în aparat să nu pătrundă apă sau umezeală.</li></ul>	
Suprafețele vitrate interioare	<ul style="list-style-type: none"><li>• Înlăturați toate depunerile de alimente.</li><li>• Se curăță ștergând-o cu o cârpă moale și un detergent slab. Aveți grijă ca în aparat să nu pătrundă apă sau umezeală.</li></ul>	
Ușa de sticlă		

### Depozitarea aparatului pentru o perioadă mai îndelungată

- **Atenție:** Scoateți întotdeauna aparatul din priză.
- Scoateți toate alimentele și băuturile interiorul aparatului.
- Curățați aparatul așa cum se arată în capitolul Curățarea. (Vezi == > Curățarea).
- Depozitați aparatul într-un loc răcoros și curat, care nu se află la îndemâna copiilor.

## Depanarea

Dacă aparatul nu funcționează bine consultați tabelul de mai jos pentru a găsi soluția. Dacă tot nu puteți rezolva problema, luați legătura cu furnizorul/agentul de service.

Probleme	Cauză posibilă	Soluție posibilă
Aparatul nu începe să răcească după ce a fost conectat la sursa de curent.	S-a activat separarea termică	Pentru reparații luați legătura cu furnizorul sau cu agentul de service.
	Compresorul este defect.	
	Ștecherul este cuplat corect la priza de curent.	Verificați conexiunea și dacă toate cuplajele sunt realizate corect.
După apăsarea comutatorului ON / OFF lumina nu se aprinde (8)	Instalația de luminare este defectă	Pentru reparații luați legătura cu furnizorul sau cu agentul de service.
Răcirea nu este suficientă.	Aparatul este amplasat în lumină solară puternică sau prea aproape de o sursă de căldură.	Mutați aparatul în altă parte pentru a evita lumina solară directă.
	Ușile nu sunt bine închise sau garnitura este defectă.	Închideți ușa corect.
	Ușile nu sunt bine închise sau garnitura este defectă.	Puneți mai puține alimente în aparat.
	Ventilația din jur nu este suficientă.	Verificați dacă există suficientă ventilație prin lăsarea a cel puțin 10 cm spațiu liber față de alte obiecte sau pereți.
Zgomot excesiv	Aparatul nu este montat orizontal.	Asigurați-vă că aparatul este montat orizontal.
	Aparatul atinge pereții din jur sau alte obiecte.	Verificați dacă există cel puțin 10 cm spațiu liber față de alte obiecte sau pereți.
	În aparat se află piese desprinse.	Pentru reparații luați legătura cu furnizorul sau cu agentul de service.

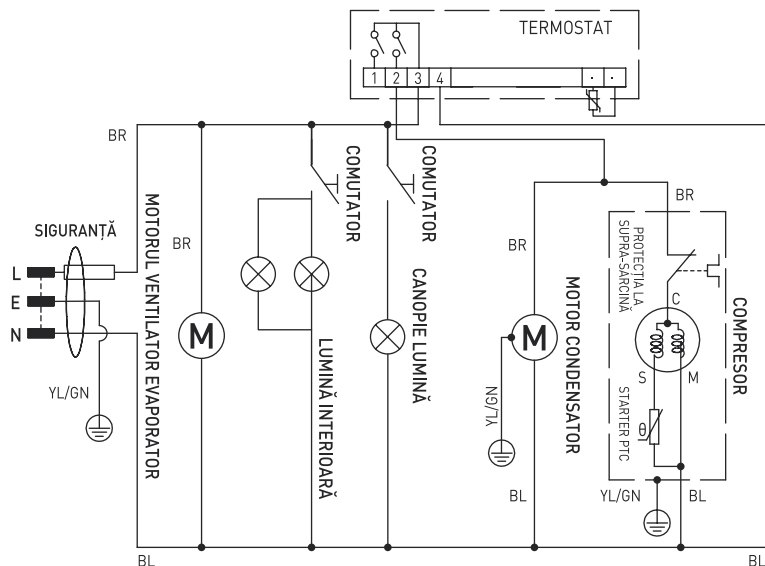
## Specificația tehnică

Nr. articol	233788	233795
Tensiune și frecvență de funcționare	220-240V~ 50Hz	
Puterea nominală de intrare	300W	400W
Intensitatea nominală	1,5 A	2,5 A
Configurarea intervalului de temperatură	2°C până la 10°C	
Setarea temperaturii recomandate	4°C	
Clasa de protecție	Clasa I	
Nivelul de zgomot	< 60 dB [A]	
Agentul frigorific utilizat și cantitatea injectată	R600a / 80g	R290 / 120g
Clasa de eficiență energetică	E	F
Agent de spumare inflamabil	Ciclopentan	
Puterea luminii	15W	18W
Clasa de climatizare	N-ST	
Capacitatea interioară a dulapului	313L	618L
Nr. Rafturi	4	8
Greutate maximă pe raft	8kg	
Dimensiuni exterioare	620x669x(H)1965mm	1120x595x(H)1965mm

**Observații:** Specificația tehnică poate fi modificată fără preaviz.

**NOTĂ:** Clasa energetică este în concordanță cu funcționarea în condiții climatice cu o temperatură maximă de 25 °C și o umiditate maximă de 60%.

## Schema electrică (Reper 233788, 233795)



---

## Garanție

Orice defecțiune care afectează funcționarea aparatului apărută la mai puțin de un an de la cumpărarea acestuia va fi remediată prin reparație sau înlocuire gratuită, cu condiția ca aparatul să fi fost folosit și întreținut conform instrucțiunilor nu să nu fi fost bruscat sau folosit necorespunzător în vreun fel. Drepturile dumneavoastră legale nu sunt afec-

tate. Dacă aparatul este în garanție, menționați când și de unde a fost cumpărat și includeți dovada cumpărării (de ex. chitanța).

Conform politicii noastre de dezvoltare continuă a produsului, ne rezervăm dreptul de a modifica produsul, ambalajul și documentația fără notificare.

---


## Eliminarea și mediul înconjurător

La dezafectarea aparatului, produsul nu trebuie aruncat împreună cu alte deșeuri menajere. În schimb, este responsabilitatea dumneavoastră să eliminați echipamentul uzat prin predarea acestuia la un punct de colectare desemnat. Nerespectarea acestei reguli poate fi penalizată în conformitate cu reglementările aplicabile privind eliminarea deșeurilor. Colectarea separată și reciclarea echipamentului dumneavoastră uzat la momentul debarasării contribuie la conservarea resurselor naturale și asigură realizarea reciclării într-un mod care protejează sănătatea ființelor umane și a mediului.

Pentru informații suplimentare privind modul în care puteți preda deșeurile dumneavoastră în scopul reciclării, vă rugăm să contactați compania locală de colectare a deșeurilor. Producătorii și importatorii nu își asumă responsabilitatea cu privire la reciclarea, tratarea și eliminarea ecologică a deșeurilor, fie direct, fie prin intermediul unui sistem public.

Благодарим Вас за покупку этого устройства Arctic. Внимательно прочитайте это руководство, обращая особое внимание на правила безопасности, изложенные ниже, перед установкой и использованием этого устройства в первый раз.

## Правила безопасности

- Это оборудование предназначено для коммерческого использования.
- Используйте прибор только по назначению, для которого он был разработан, как описано в данном руководстве.
- Изготовитель не несет ответственности за любой ущерб, вызванный неправильной работой и неправильным использованием.
- Держите прибор и электрическую вилку подальше от воды и других жидкостей. В случае, если прибор попадает в воду, немедленно снимите вилку питания с розетки. Не используйте устройство до тех пор, пока оно не будет проверено сертифицированным техническим специалистом. Несоблюдение этих инструкций приведет к угрожающей жизни опасности.
- Никогда не пытайтесь открыть корпус прибора самостоятельно.
- Не вставляйте объекты в корпус прибора.
- Не прикасайтесь к вилке мокрыми или влажными руками.
-  **Опасность поражения электрическим током!** Не пытайтесь самостоятельно отремонтировать прибор, ремонт должен проводиться только квалифицированный персонал.
- **Никогда не используйте поврежденный прибор!** Когда устройство повреждено, отсоедините устройство от розетки и обратитесь к продавцу.
- **Предупреждение!** Не погружайте электрические части прибора в воду или другие жидкости.
- Никогда не удерживайте прибор под проточной водой.
- Регулярно проверяйте штекер питания и шнур на наличие повреждений. В случае повреждения его необходимо заменить сервисным агентом или лицом, имеющим аналогичную квалификацию, с тем чтобы избежать опасности или травм.
- Убедитесь, что шнур не соприкасается с острыми или горячими предметами и держите его подальше от открытого огня. Никогда не тяните шнур питания, чтобы отсоединить его от розетки, всегда тяните вилку вместо нее.
- Убедитесь, что шнур питания и/или удлинитель не вызывают опасности аварии.
- Никогда не оставляйте прибор без присмотра во время использования.
- **Предупреждение!** Пока штекер находится в розетке, прибор подключается к источнику питания.
- Выключите устройство, прежде чем отсоединить его от розетки.
- Подключите вилку питания к легкодоступной электрической розетке, чтобы в случае аварийной ситуации устройство можно было немедленно отключить.
- Никогда не носите прибор за шнур.

- Не используйте дополнительные устройства, которые не поставляются вместе с устройством.
- Подключите прибор только к электрической розетке с напряжением и частотой, указанными на этикетке устройства.
- Никогда не используйте аксессуары, кроме тех, которые рекомендованы производителем. Невыполнение этого требования может представлять опасность для безопасности пользователя и привести к повреждению устройства. Используйте только оригинальные детали и аксессуары.
- Этот прибор не должен эксплуатироваться лицами с ограниченными физическими, сенсорными или умственными возможностями, или лицами, не имеющими опыта и знаний.
- Этот прибор ни при каких обстоятельствах не должен использоваться детьми.
- Держите устройство и его шнур питания в недоступном для детей месте.
- **ПРЕДУПРЕЖДЕНИЕ:** ВСЕГДА выключите устройство и отключите розетку от розетки перед очисткой, обслуживанием или хранением.

## Специальные правила техники безопасности

- Устройство не используется для охлаждения напитков и хранения их в течение длительного периода времени. Напитки должны быть предварительно охлаждены до помещения их в устройство (<6 °C).
- Вся технические операции, т.е. монтажные, обслуживающие и ремонтные работы должны выполняться только квалифицированным персоналом.
- **ПРЕДУПРЕЖДЕНИЕ:** Nu utilizați instrumente mecanice sau alte mijloace pentru a accelera dezghețarea, altele decât cele recomandate de producător.
- **ПРЕДУПРЕЖДЕНИЕ:** Не повредите контур хладагента.



**Внимание! Опасность пожара!** В устройстве используется хладагент R600a/ R290. Это экологически чистый легковоспламеняющийся хладагент. Он не вреден для озонового слоя и не влияет на парниковый эффект. Однако использование этого хладагента приводит к небольшому увеличению уровня шума, создаваемого устройством. Кроме шума, создаваемого компрессором, пользователь может слышать звук, вызванный потоком хладагента. Этого явления нельзя избежать, и он не оказывает негативного влияния на функционирование устройства. Во время транспортировки и установки устройства следует соблюдать особую осторожность, чтобы не повредить какие-либо части холодильной системы. Утечка хладагента может привести к повреждению глаз.

- В устройстве используется пенообразующее вещество (средство вспенивающее изолирующую пену) Циклопентан и оно легковоспламеняющееся.
- **ПРЕДУПРЕЖДЕНИЕ:** Не закрывайте вентиляционные отверстия корпуса устройства. При установке устройства, убедитесь, что оно имеет необходимую вентиляцию. Никогда не блокируйте поток воздуха вокруг устройства, чтобы обеспечить достаточную циркуляцию воздуха.



- **ПРЕДУПРЕЖДЕНИЕ:** Внутри камер холодильного шкафа, не используйте электрооборудования, кроме того, которое рекомендовано производителем.
- Устройство устанавливайте только на чистой, сухой, стабильной, горизонтальной поверхности.
- Храните вдали от горячих поверхностей и открытого пламени. Убедитесь, что устройство не подвергается воздействию высоких температур, пыли, солнечного света, влаги, брызг и капель воды.
- Убедитесь, что вокруг устройства оставлено 10 см пространства для обеспечения надлежащей вентиляции.
- Не ударяйте твердым инструментом в стеклянные компоненты устройства. Не чистите устройство с использованием прямой струи воды или паровой мойки и не смывайте водой – существует риск поражения электрическим током.
- Не кладите на устройство любые предметы. Рядом с устройством не помещайте источники открытого огня (например, горящие свечи). Не помещайте какие-либо предметы, наполненные водой в непосредственной близости от устройства, (например, вазы).
- Не накрывайте устройство во время работы. Это создает опасность пожара.
- Не мойте устройство водой. При мойке устройства вода может попасть в электрические детали и вызвать поражение электрическим током.
- Не сверлите дополнительные отверстия в устройстве. Не устанавливайте никакого дополнительного оборудования на устройстве.
- Не помещайте во внутрь устройства большое количество пищи, чтобы предотвратить его повреждение. Максимальная нагрузка для каждой полки составляет прим. 8 кг.
- Не пытайтесь входить на устройство.
- **БУДЬТЕ ОСТОРОЖНЫ!** Будьте осторожны при обращении с стеклянными поверхностями; защищайте их от ударов, чтобы избежать повреждения устройства и травм.
- Не держите ключ от устройства рядом с устройством или в пределах досягаемости детей. Эти действия предотвратят случайное закрытие ребенка внутри устройства, что может угрожать жизни.

## Монтаж устройства

- Устройство не должно быть наклонено под углом, большим, чем 5°. После установки устройства подождите 2 часа, прежде чем подключите его к источнику питания и проведете запуск. Эта рекомендация касается также ситуации, когда устройство впоследствии будет переноситься в другое место.
- Устройство следует устанавливать в сухом месте.
- Во время установки оставьте как минимум 10 см пространства от задней и с обеих боковых сторон устройства для обеспечения надлежащей вентиляции. Если оставите меньше места - это может повлиять на производительность устройства.
- Рекомендуется устанавливать устройство вместе с хорошей естественной вентиляцией, благодаря чему устройство будет вентилироваться надлежащим образом.

## Электрические компоненты и другие опасности

- Ни одно другое оборудование не должно быть подключено к одному источнику питания, к которому подключено устройство.
- Не храните в устройстве другие продукты. Не помещайте в холодильный шкаф или в его близи опасные продукты, такие как топливо, спирт, краски, горючие и взрывоопасные материалы и т.п и т.п. – опасность пожара.
- Не храните в устройстве лекарства.
- После того, как устройство будет выключено или отключено от источника питания, подождите прим. 5 минут перед повторным запуском.
- Не мойте устройство водой. При мойке устройства вода может попасть в электрические детали и вызвать поражение электрическим током. Детали/аксессуары устройства не подходят для мытья в посудомоечной машине.

---

### Назначение устройства

- Устройство предназначено для профессионального использования.
- Это устройство предназначено исключительно для хранения напитков, в том числе пива, поддержания их низкой температуры и для наглядного обзора для продажи в ресторанах, столовых или других торговых точках, таких как булочные, мясные магазины, супермаркеты и т.п. Использование устройства для любых других целей может привести к повреждению или травме тела.
- Использование устройства для любых других целей будет рассматриваться, как использование не по назначению. Пользователь будет нести исключительную ответственность за правильное использование устройства.

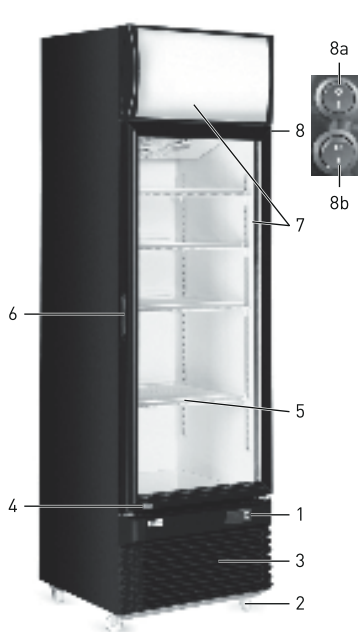
---

### Установка заземления

Этот прибор относится к **классу защиты I** и должен быть подключен к защитному грунту. Заземление снижает риск поражения электрическим током, обеспечивая выход провода для электрического тока. Этот прибор оснащен шнуром пи-

тания с заземляющим проводом и заземленной штепсельной вилкой. Вилка должна быть подключена к розетке, которая правильно установлена и заземлена.

## Основные детали устройства



1. Цифровая панель управления
  - а. Кнопка установки температуры
  - б. Повышение температуры  
Примечание. Этой кнопкой нельзя включить / выключить свет в устройстве. Чтобы включить / выключить свет, нажмите нижнюю кнопку (8).
  - с. Уменьшение настройки температуры
  - д. Подтверждение настройки / ручное размораживание
  - е. Установленное значение температуры
2. Самоустанавливающиеся колеса (x4, 2 передние колеса с тормозом)
3. Вентиляционные отверстия
4. Дверной замок
5. Полка
6. Ручка стеклянных дверей
7. Лампочка
8. Выключатели/выключатели света
  - а. Лампа в верхней части витрины
  - б. Светодиодная лампочка внутри витрины

Примечание. Содержание этого руководства относится ко всем указанным моделям, если не указано иное. Внешний вид устройства может отличаться от внешнего вида, показанного на рисунках.

### Описание состояния индикатора

Символ	Состояние	Описание
<b>set</b>	ПОДСВЕЧЕН	Режим настройки
	НЕ ПОДСВЕЧЕН	Устройство работает в соответствии с введенными настройками
<b>out</b>	ПОДСВЕЧЕН	Запущен компрессор - охлаждение
	НЕ ПОДСВЕЧЕН	Компрессор не запущен - нет охлаждения
	МИГАЕТ	Подготовка к охлаждению
<b>C</b>	ПОДСВЕЧЕН	Процесс охлаждения
<b>def</b>	ПОДСВЕЧЕН	Процесс размораживания

## Установка температуры

- Подключите устройство к соответствующей электрической розетке.
- Когда индикатор «set» не горит, нажмите и удерживайте кнопку 1a в течение 3-4 секунд, пока на дисплее не появится **5t**. Затем отпустите кнопку 1a и снова её нажмите.
- Нажмите кнопку 1b, чтобы увеличить температуру на 1°C или нажмите кнопку 1c, для снижения температуры на 1°C.

## Размораживание

- Устройство автоматически запускает процесс размораживания каждые 6 часов.

## Установка высоты полок

- Существует возможность изменить высоту расположения полок.

- Потом нажмите кнопку 1d, чтобы подтвердить введенные настройки и выйти.

Внимание:

- Если в течение 30 секунд не будет нажата ни одна кнопка, заданная температура будет автоматически сохранена.
- Диапазон настройки температуры: от 2°C до 10°C.

- Подсветка кнопки **def** обозначает, что начался процесс размораживания.

- Измените высоту размещения полок в зависимости от продуктов, расположенных внутри устройства.

## Инструкции по установке

- Извлеките устройство из картонной коробки, снимите внутреннюю и наружную упаковку и защиты.
- Проверьте, не повреждено ли устройство. В случае неполной доставки или повреждения, НЕ используйте устройство и немедленно свяжитесь с поставщиком (Смотри ==> Гарантия).
- Оставьте устройство в вертикальном положении примерно на 2 часа. Это действие направлено на уменьшение степени нарушения в работе системы охлаждения в случае неправильного обращения с устройством во время транспортировки.
- Промойте наружные поверхности мягкой тканью, смоченной в теплой воде. (Смотри ==> Очистка и обслуживание).
- Поместите устройство на ровную устойчивую поверхность, стойкую к высоким температурам и жидким брызгам.
- Поместите стабильно все полки в устройстве.
- Рабочая температура окружающей среды должна составлять от 16°C до 30°C, в противном случае устройство может работать неправильно.

- Обеспечьте необходимую вентиляцию. Обеспечьте по крайней мере 10-сантиметровый зазор вокруг устройства. Не закрывайте вентиляционные отверстия.

- Для экономии энергии всегда следите за тем, чтобы дверь была закрыта.

- Убедитесь, что у вас есть все принадлежности и инструменты, необходимые для сборки и эксплуатации устройства. Это требование распространяется также на средства индивидуальной защиты (например, перчатки, не прилагаемые к устройству).

Примечание. Из-за остатков производственного процесса, в течение первых нескольких запусков из устройства может выходить специфический запах. Это нормальное явление и не указывает на какое-либо повреждение устройства или опасность для пользователя. Проверьте, хорошо ли вентилируется устройство.

## Эксплуатация

### Установка устройства

- Поместите устройство на устойчивую и ровную поверхность или на пол.
- Используйте уровень (не поставляется с устройством), чтобы убедиться, что устройство правильно выровнено.
- Перед началом эксплуатации оставьте устройство в вертикальном положении примерно на 2 часа, чтобы избежать повреждения контура охлаждения из-за неправильного распределения хладагента.
- Всегда блокируйте самоустанавливающиеся колеса (2) после установки устройства в нужном месте, чтобы защитить устройство от перемещения.

### Включение и выключение устройства (ON/OFF)

- Устройство включается после подключения вилки к подходящей электрической розетке. Чтобы выключить устройство, отключите вилку сетевого шнура от розетки.
- При подключении к источнику питания устройство издает звуковой сигнал.
- После отсоединения устройства или в случае внезапного прерывания питания, подождите не менее 5 минут, прежде чем повторно подключить устройство к сети.
- Если устройство не используется, выньте вилку из розетки.

## Очистка и техническое обслуживание

**Замечание:** Перед очисткой и уходом всегда отключайте устройство от сети питания, вынимая вилку из розетки.

### Очистка

- Внутренние и внешние поверхности устройства можно чистить влажной тканью с небольшим количеством моющего средства.
- Полки можно вынуть из устройства и вымыть, погружая в воду.
- Для очистки устройства не используйте непосредственное воздействие водяной струи, парочистителя и не погружайте всего устройства в воду.
- Детали устройства нельзя мыть в посудомоечной машине.
- Очищайте регулярно устройство.

Детали	Очистка	Замечания
Детали устройства, такие как полки, кронштейны к ним и т.д.	<ul style="list-style-type: none"><li>• Погрузите в теплую мыльную воду в течение прибл.10-20 минут.</li><li>• Промойте под проточной водой.</li></ul>	Тщательно просушите все детали.
Наружные стеклянные поверхности	<ul style="list-style-type: none"><li>• Протрите мягкой тканью и небольшим количеством нейтрального моющего средства. Убедитесь, что во внутрь устройства не попала вода или влага.</li></ul>	
Внутренние стеклянные поверхности	<ul style="list-style-type: none"><li>• Удалите остатки пищи.</li><li>• Протрите мягкой тканью и небольшим количеством нейтрального моющего средства. Убедитесь, что во внутрь устройства не попала вода или влага.</li></ul>	
Стеклянные двери		

## Хранение устройства, когда оно не используется

- **Замечание:** Всегда отключайте устройство от источника питания.
- Выньте из устройства все продукты питания и напитки.
- Вымойте устройство согласно рекомендациям, содержащимся в разделе Очистка и техническое обслуживание. [Смотри==> Очистка и техническое обслуживание].
- Храните устройство в прохладном, чистом месте, недоступном для детей.

## Поиск и устранение неисправностей

Если устройство не работает должным образом, обратитесь к приведенной ниже таблице, чтобы найти правильное решение. Если вы не можете решить проблему, обратитесь к поставщику.

Проблема	Возможная причина	Возможное решение
Устройство не начинает процесс охлаждения при подключении к источнику питания.	Сработал тепловой предохранитель	Обратитесь к поставщику / поставщику услуг для ремонта устройства.
	Поврежден компрессор.	
	Вилка неправильно подключена к электрической розетке.	Проверьте и убедитесь, что все компоненты подключены правильно.
После нажатия кнопки включения/ выключения света (8), свет не включается.	Поврежденное освещение	Обратитесь к поставщику / услугодателю, чтобы отремонтировать устройство.
Охлаждение слишком слабое.	Устройство подвергается сильному воздействию солнечного света или расположено близко к источнику тепла.	Перенесите устройство в другое место, вдали от прямых солнечных лучей.
	Дверь не закрыта должным образом или повреждена прокладка.	Закройте правильно дверь.
	В устройстве находится слишком много пищи.	Удалить из устройства часть пищи.
	Недостаточная вентиляция вокруг устройства.	Убедитесь, что устройство гарантирует достаточную вентиляцию, обеспечивая 10 см вокруг него.
Устройство генерирует много шума.	Устройство не установлено в горизонтальном положении.	Убедитесь, что устройство было установлено в горизонтальном положении.
	Устройство находится в контакте со стенкой или другими объектами.	Убедитесь, что вокруг устройства не менее 10 см свободного пространства.
	Внутри устройства находятся свободные детали.	Обратитесь к поставщику / поставщику услуг для ремонта устройства.

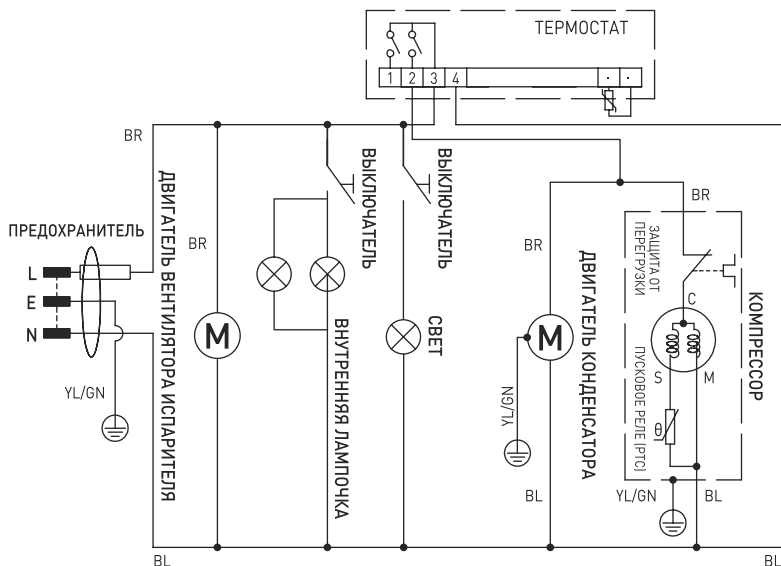
## Технические характеристики

№ продукта	233788	233795
Рабочее напряжение и частота	220-240V~ 50Гц	
Номинальная мощность	300W	400W
Номинальный ток	1,5 A	2,5 A
Диапазон настроек температуры	2°C до 10°C	
Рекомендуемая настройка температуры	4°C	
Класс защиты	I Класс	
Уровень шума	< 60 дБ (А)	
Хладагент / количество вводимого хладагента	R600a / 80г	R290 / 120г
Энергетический класс	E	F
Легковоспламеняющийся пенообразователь	Циклопентан	
Мощность света	15W	18W
Климатический класс	N-ST	
Ёмкость шкафа	313L	618L
Количество полок	4	8
Максимальная нагрузка на полку	8кг	
Внешние размеры	620x669x(выс.)1965мм	1120x595x(выс.)1965мм

**Внимание:** Технические характеристики могут быть изменены без предварительного уведомления.

**Внимание!** Энергетический класс совпадает с работой в климате с максимальной температурой 25°C и максимальной влажностью 60%.

## Электрическая схема (продукт № 233788, 233795)



RU

---

## Гарантия

Любая неподелка или поломка, которая влечет за собой неправильную работу устройства, которая будет выявлена в течение первого года от даты покупки, будет устранена бесплатно, или же все устройство будет заменено новым, если оно эксплуатировалось и обслуживалось согласно инструкции по обслуживанию и не использовалось неправильно, или в разрез с назначением. Данное положение ни в коей мере не нарушает иных прав потребителя, изложенных в законо-

дательстве. В случае заявления устройства в ремонт или на замену в рамках гарантии, следует указать место и дату покупки устройства и приложить счет, или чековую квитанцию.

Согласно нашей политике совершенствования наших продуктов оставляем за собой право на ввод изменений в конструкцию, упаковку и в технические параметры, указываемые в технической документации без предупреждения.

---

## Утилизация и защита окружающей среды

В случае вывода оборудования из эксплуатации, продукт нельзя утилизировать вместе с другими бытовыми отходами. Пользователь несет ответственность за передачу оборудования в соответствующий пункт приема техники бывшей в употреблении. Несоблюдение вышеуказанного положения может привести к наложению штрафов в соответствии с действующими правилами в отношении утилизации отходов. Селективный сбор и утилизация использованного оборудования способствуют сохранению природных ресурсов и обеспечивают рециркуляцию таким

образом, который не вреден для здоровья и окружающей среды.

Для получения дополнительной информации о том, где можно отдать использованное оборудование для утилизации, обратитесь в местную компанию по сбору отходов. Производитель и импортер не несут ответственности за рециркуляцию и переработку отходов экологически безопасным способом, как непосредственно, так и в рамках государственной системы.



Αγαπητέ πελάτη,

Σας ευχαριστούμε για την αγορά αυτής της συσκευής Arctic. Διαβάστε προσεκτικά αυτό το εγχειρίδιο, δίνοντας ιδιαίτερη προσοχή στους κανονισμούς ασφαλείας που περιγράφονται παρακάτω, πριν εγκαταστήσετε και χρησιμοποιήσετε αυτή τη συσκευή για πρώτη φορά.

## Κανονισμοί ασφαλείας

- Η συσκευή είναι για επαγγελματική χρήση.
- Χρησιμοποιείτε μόνο τη συσκευή για τον επιδιωκόμενο σκοπό για τον οποίο σχεδιάστηκε όπως περιγράφεται στο παρόν εγχειρίδιο.
- Ο κατασκευαστής δεν ευθύνεται για τυχόν ζημιές που προκαλούνται από λανθασμένη λειτουργία και ακατάλληλη χρήση.
- Κρατήστε τη συσκευή και το ηλεκτρικό βύσμα μακριά από νερό και άλλα υγρά. Σε περίπτωση που η συσκευή πέσει στο νερό, αφαιρέστε αμέσως το βύσμα τροφοδοσίας από την πρίζα. Μην χρησιμοποιείτε τη συσκευή μέχρι να ελεγχθεί από πιστοποιημένο τεχνικό. Η μη τήρηση αυτών των οδηγιών θα προκαλέσει απειλητικούς κινδύνους για τη ζωή.
- Ποτέ μην επιχειρήσετε να ανοίξετε μόνοι σας το περίβλημα της συσκευής.
- Μην εισάγετε αντικείμενα στο περίβλημα της συσκευής.
- Μην αγγίζετε το βύσμα με βρεγμένα ή υγρά χέρια.
- ⚡ **Κίνδυνος ηλεκτροπληξίας!** Μην επιχειρήσετε να επισκευάσετε τη συσκευή μόνοι σας, οι επισκευές πρέπει να πραγματοποιούνται μόνο από εξειδικευμένο προσωπικό.
- **Ποτέ μην χρησιμοποιείτε μια κατεστραμμένη συσκευή!** Όταν είναι κατεστραμμένο, αποσυνδέστε τη συσκευή από την πρίζα και επικοινωνήστε με το κατάστημα λιανικής πώλησης.
- **Προειδοποίηση!** Μην βυθίζετε τα ηλεκτρικά μέρη της συσκευής σε νερό ή άλλα υγρά.
- Ποτέ μην κρατάτε τη συσκευή κάτω από τρεχούμενο νερό.
- Ελέγχετε τακτικά το βύσμα τροφοδοσίας και το καλώδιο για τυχόν ζημιές. Σε περίπτωση βλάβης, πρέπει να αντικατασταθεί από αντιπρόσωπο εξυπηρέτησης ή με παρόμοια προσόντα, ώστε να αποφεύγεται ο κίνδυνος ή ο τραυματισμός.
- Βεβαιωθείτε ότι το καλώδιο δεν έρχεται σε επαφή με αιχμηρά ή ζεστά αντικείμενα και κρατήστε το μακριά από ανοιχτή φωτιά. Μην τραβάτε ποτέ το καλώδιο τροφοδοσίας για να το αποσυνδέσετε από την πρίζα, πάντα τραβάτε το βύσμα.
- Βεβαιωθείτε ότι το καλώδιο τροφοδοσίας ή/και το καλώδιο προέκτασης δεν προκαλούν κίνδυνο διαφυγής.
- Μην αφήνετε ποτέ τη συσκευή αφύλακτη κατά τη χρήση.
- **Προειδοποίηση!** Όσο το βύσμα βρίσκεται στην πρίζα, η συσκευή είναι συνδεδεμένη με την πηγή τροφοδοσίας.
- Απενεργοποιήστε τη συσκευή πριν την αποσυνδέσετε από την πρίζα.
- Συνδέστε το βύσμα ρεύματος σε μια εύκολα προσβάσιμη πρίζα, ώστε σε περίπτωση ανάγκης να αποσυνδεθεί αμέσως η συσκευή.
- Ποτέ μην μεταφέρετε τη συσκευή από το καλώδιο.
- Μην χρησιμοποιείτε επιπλέον συσκευές που δεν παρέχονται μαζί με τη συσκευή.

GR

- Συνδέστε τη συσκευή μόνο σε πρίζα με την τάση και τη συχνότητα που αναφέρονται στην ετικέτα της συσκευής.
- Ποτέ μην χρησιμοποιείτε εξαρτήματα εκτός από αυτά που συνιστώνται από τον κατασκευαστή. Εάν δεν γίνει κάτι τέτοιο, θα μπορούσε να αποτελέσει κίνδυνο για την ασφάλεια του χρήστη και θα μπορούσε να προκαλέσει βλάβη στη συσκευή. Χρησιμοποιείτε μόνο αυθεντικά εξαρτήματα και αξεσουάρ.
- Η συσκευή αυτή δεν πρέπει να λειτουργεί από άτομα με μειωμένες σωματικές, αισθητηριακές ή διανοητικές ικανότητες ή άτομα με έλλειψη εμπειρίας και γνώσης.
- Αυτή η συσκευή δεν πρέπει, σε καμία περίπτωση, να χρησιμοποιείται από παιδιά.
- Κρατήστε τη συσκευή και το καλώδιο τροφοδοσίας μακριά από παιδιά.
- **ΠΡΟΕΙΔΟΠΟΙΗΣΗ:** Πάντα απενεργοποιείτε τη συσκευή και αποσυνδέστε την πρίζα πριν από τον καθαρισμό, τη συντήρηση ή την αποθήκευση.

## Ειδικοί κανονισμοί ασφαλείας

- Αυτή η συσκευή δεν προορίζεται για την ψύξη ή την αποθήκευση ποτών για μεγάλο χρονικό διάστημα. Πριν τοποθετηθούν στη συσκευή, τα ποτά πρέπει να ψύχονται (<6°C).
- Όλες οι τεχνικές εργασίες, όπως εργασίες εγκατάστασης, συντήρησης ή επισκευής, πρέπει να εκτελούνται μόνο από εξειδικευμένο προσωπικό.
- **ΠΡΟΕΙΔΟΠΟΙΗΣΗ:** Μην χρησιμοποιείτε μηχανικές συσκευές ή άλλα μέσα για να επιταχύνετε τη διαδικασία απόψυξης, πέραν αυτών που συνιστώνται από τον κατασκευαστή.

- **ΠΡΟΕΙΔΟΠΟΙΗΣΗ:** Μην φθείρετε το κύκλωμα του ψυκτικού μέσου.



**Προσοχή! Κίνδυνος πυρκαγιάς!** Στη συσκευή χρησιμοποιείται το ψυκτικό μέσο R600a/ R290, το οποίο είναι εύφλεκτο, φιλικό προς το περιβάλλον, δεν βλάπτει τη στιβάδα του όζοντος και δεν εντείνει το φαινόμενο του θερμοκηπίου. Ωστόσο, η χρήση αυτού του ψυκτικού μέσου προκαλεί μια ελαφρά αύξηση της στάθμης θορύβου της συσκευής. Εκτός από τον θόρυβο που προκαλεί ο συμπιεστής, μπορεί να ακούγεται το ψυκτικό που ρέει στο σύστημα. Αυτό είναι αναπόφευκτο και δεν έχει αρνητικές επιπτώσεις στην απόδοση της συσκευής. Κατά τη μεταφορά και την εγκατάσταση της συσκευής, προσέξτε να μην υποστούν βλάβη τα εξαρτήματα του συστήματος ψύξης. Η διαρροή ψυκτικού μπορεί να προκαλέσει οφθαλμολογική βλάβη.

- Ο παράγοντας φυσικού αερίου που χρησιμοποιείται είναι το κυκλοπεντάνιο σε αυτήν τη συσκευή. Είναι πολύ εύφλεκτο.
- **ΠΡΟΕΙΔΟΠΟΙΗΣΗ:** Απομακρύνετε όλα τα εμπόδια γύρω από όλα τα ανοίγματα εξαερισμού της συσκευής. Παρέχετε αρκετό εξαερισμό στην περιβάλλουσα δομή κατά την εγκατάσταση. Μην κλείνετε την αναρρόφηση της ροής αέρα και την έξοδο αέρα προκειμένου να διατηρείται η κυκλοφορία του αέρα.
- **ΠΡΟΕΙΔΟΠΟΙΗΣΗ:** Μην χρησιμοποιείτε ηλεκτρικές συσκευές στο εσωτερικό των διαμερισμάτων φύλαξης τροφίμων της συσκευής, εκτός εάν είναι του τύπου που προτείνεται από τον κατασκευαστή.
- Τοποθετείτε τη συσκευή σε καθαρή, σταθερή, οριζόντια και επίπεδη επιφάνεια.

- Διατηρείτε τη συσκευή μακριά από θερμές επιφάνειες και ανοικτές φλόγες. Προστατεύετε τη συσκευή από τη θερμότητα, τη σκόνη, την απευθείας έκθεση στον ήλιο, την υγρασία, τις διαρροές και την εκτίναξη νερού.
- Κατά τη διάρκεια της χρήσης, αφήνετε τουλάχιστον 10 cm ελεύθερο χώρο γύρω από τη συσκευή για επαρκή εξαερισμό.
- Μην χτυπάτε με βαριά σκεύη την γυάλινη επιφάνεια της συσκευής. Μην χρησιμοποιείτε πίδακες νερού ή συσκευές καθαρισμού με ατμό κατά τον καθαρισμό της συσκευής και μην την βυθίζετε σε νερό, καθώς τα εξαρτήματά της θα βραχούν και μπορεί να προκληθεί ηλεκτροπληξία.
- Μην τοποθετείτε αντικείμενα επάνω στη συσκευή. Μην τοποθετείτε αντικείμενα με ανοικτές πηγές φωτιάς (π.χ. κεριά) επάνω ή δίπλα στη συσκευή. Μην τοποθετείτε αντικείμενα με νερό (π.χ. βάζα) επάνω ή κοντά στη συσκευή.
- Μην καλύπτετε ποτέ τη συσκευή κατά τη χρήση. Ενδέχεται να προκληθεί πυρκαγιά.
- Μην πλένετε τη συσκευή με νερό. Το πλύσιμο μπορεί να προκαλέσει διαρροές και να αυξήσει τον κίνδυνο ηλεκτροπληξίας.
- Μην δημιουργείτε πρόσθετα ανοίγματα στη συσκευή. Μην τοποθετείτε πρόσθετα εξαρτήματα στη συσκευή.
- Μην υπερφορτώνετε τα ράφια για να αποφύγετε τυχόν ζημιά. Το μέγιστο βάρος φόρτωσης κάθε ραφιού είναι περίπου 8 κιλά.
- Μην προσπαθήσετε να ανεβείτε πάνω στη συσκευή.
- **ΠΡΟΣΟΧΗ!** Να χειρίζεστε προσεκτικά τις γυάλινες επιφάνειες. Να τις προστατεύετε από προσκρούσεις για την αποφυγή υλικών ζημιών και τραυματισμών.
- Να φυλάσσετε το κλειδί μακριά από τη συσκευή και παιδιά. Έτσι, θα αποτρέψετε το ενδεχόμενο να κλειδωθούν ακούσια μέσα στη συσκευή και να θέσουν σε κίνδυνο τη ζωή τους.

### Εγκατάσταση της συσκευής

- Η συσκευή δεν πρέπει να έχει κλίση άνω των 5°. Αφού εγκαταστήσετε τη συσκευή, περιμένετε 2 ώρες πριν την συνδέσετε στο ρεύμα. Το ίδιο ισχύει και σε περίπτωση μεταγενέστερης μετακίνησης της συσκευής.
- Η συσκευή πρέπει να τοποθετείται πάντα σε ξηρό περιβάλλον.
- Πρέπει επίσης να αφήνεται τουλάχιστον 10 cm ελεύθερος χώρος στην πίσω, αριστερή και δεξιά πλευρά της συσκευής για λόγους αερισμού. Σε αντίθετη περίπτωση, μπορεί να επηρεαστεί η απόδοση της συσκευής.
- Συνιστούμε να τοποθετείτε τη συσκευή σε χώρο με επαρκή φυσικό αερισμό.

### Ηλεκτρικά εξαρτήματα και άλλοι κίνδυνοι

- Όταν χρησιμοποιείτε τη συσκευή, δεν πρέπει να συνδέσετε στην ίδια πρίζα άλλες συσκευές.
- Μην τοποθετείτε επικίνδυνα προϊόντα, όπως καύσιμα, αλκοόλ, χρώματα, εύφλεκτα ή εκρηκτικά υλικά κλπ μέσα ή κοντά στη συσκευή, καθώς ενδέχεται να προκύψει κίνδυνος πυρκαγιάς.
- Μην αποθηκεύετε φάρμακα μέσα στη συσκευή.

- Εάν απενεργοποιήσετε ή αποσυνδέσετε τη συσκευή από την παροχή ηλεκτρικού ρεύματος, περιμένετε περίπου 5 λεπτά πριν την ενεργοποιήσετε ξανά.
- Μην πλένετε τη συσκευή με νερό καθώς μπορεί να προκληθούν διαρροές και κίνδυνος ηλεκτροπληξίας. Κανένα μέρος/εξαρτήματα δεν μπορεί να τοποθετηθεί σε πλυντήριο πιάτων.

---

#### **Προβλεπόμενη χρήση**

- Η συσκευή προορίζεται για επαγγελματική χρήση.
- Η συσκευή είναι σχεδιασμένη για τη διατήρηση της ψύξης ποτών, συμπεριλαμβανομένων αναψυκτικών και την προβολή τους για πώληση λιανικής σε εστιατόρια, καντίνες, λοιπές εμπορικές επιχειρήσεις όπως φούρνους, κρεοπωλεία, σουπερμάρκετ κλπ. Οποιαδήποτε άλλη χρήση μπορεί να προκαλέσει ζημιά στη συσκευή ή τραυματισμό.
- Η χρήση της συσκευής για οποιονδήποτε άλλο σκοπό θεωρείται εσφαλμένη. Ο χρήστης είναι αποκλειστικά υπεύθυνος για την μη κατάλληλη χρήση της συσκευής.

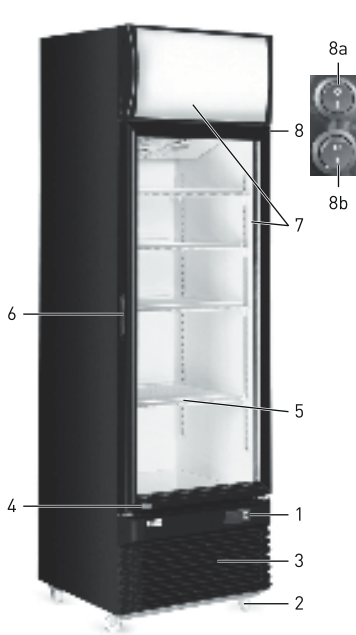
---

#### **Εγκατάσταση γείωσης**

Η συσκευή αυτή ταξινομείται ως **κατηγορία προστασίας Ι** και πρέπει να συνδέεται με προστατευτικό έδαφος. Η γείωση μειώνει τον κίνδυνο ηλεκτροπληξίας παρέχοντας ένα καλώδιο διαφυγής για το ηλεκτρικό ρεύμα. Αυτή η συσκευή είναι εφοδιασμένη με

καλώδιο τροφοδοσίας που διαθέτει καλώδιο γείωσης και γειωμένο βύσμα. Το βύσμα πρέπει να συνδεθεί σε μια πρίζα που είναι σωστά εγκατεστημένη και γειωμένη.

## Βασικά εξαρτήματα της συσκευής



1. Ψηφιακός πίνακας ελέγχου
  - a. Κουμπί ρύθμισης θερμοκρασίας
  - b. Κουμπί αύξησης της θερμοκρασίας  
Σημείωση: Αυτό το κουμπί δεν ανάβει/σβήνει την λυχνία της συσκευής. Πατήστε το κουμπί (8) για να ανάψετε/σβήσετε την λυχνία.
  - c. Μείωσης της θερμοκρασίας
  - d. Επιβεβαίωσης ρύθμισης / χειροκίνητης απόψυξης
  - e. Ψηφία θερμοκρασίας
2. Αυτοπροσανατολιζόμενα ροδάκια (x4, 2 μπροστανά αυτοπροσανατολιζόμενα ροδάκια με φρένα)
3. Οπές εξαερισμού
4. Κλειδαριά πόρτας
5. Ράφια
6. Λαβή γυάλινης πόρτας
7. Φωτισμός
8. Διακόπτες ON / OFF για την λυχνία
  - a. Πλαίσιο φωτισμού
  - b. Λυχνία LED στο εσωτερικό του θαλάμου

GR

Σημείωση: Το περιεχόμενο του παρόντος εγχειριδίου ισχύει για όλα τα καταχωρημένα προϊόντα, εκτός εάν ορίζεται διαφορετικά. Η εμφάνιση του προϊόντος ενδέχεται να διαφέρει από τα εμφανιζόμενα σχήματα/εικόνες.

### Περιγραφή καταστάσεων φωτεινών ενδείξεων

Ένδειξη συμβόλου	Κατάσταση	Περιγραφή
<b>set</b>	ANAMMENH	Σε λειτουργία ρύθμισης
	ΣΒΗΣΤΗ	Λειτουργία στην επιλεγμένη κατάσταση
<b>out</b>	ANAMMENH	Ο συμπιεστής λειτουργεί και η ψύξη είναι ενεργή
	ΣΒΗΣΤΗ	Ο συμπιεστής δεν λειτουργεί και η ψύξη είναι ανενεργή
	ANABOSBΗNEI	Προετοιμασία διαδικασίας ψύξης
<b>C</b>	ANAMMENH	Σε διαδικασία ψύξης
<b>def</b>	ANAMMENH	Σε διαδικασία απόψυξης

## Ρύθμιση της θερμοκρασίας

- Συνδέστε τη συσκευή σε κατάλληλη πρίζα.
- Όταν η λυχνία ρύθμισης είναι ΣΒΗΣΤΗ, πατήστε παρατεταμένα το κουμπί 1a για 3-4 δευτερόλεπτα έως ότου **Σε** εμφανιστεί στην οθόνη η ένδειξη . Στη συνέχεια, αφήστε το και πατήστε το ξανά.
- Έπειτα, πατήστε το κουμπί 1b για αύξηση της θερμοκρασίας κατά 1°C ή πατήστε το κουμπί 1c για μείωση κατά 1°C.

## Απόψυξη

- Η συσκευή ξεκινά αυτόματα τη διαδικασία απόψυξης κάθε 6 ώρες.

## Ρύθμιση ύψους ραφιών

- Μπορεί να ρυθμιστεί το ύψος κάθε ραφιού.

- Πατήστε το κουμπί 1d για επιβεβαίωση της ρύθμισης και έξοδο.

Σημείωση:

- Αν δεν πατηθεί κανένα κουμπί εντός 30 δευτερολέπτων, η νέα θερμοκρασία θα αποθηκευτεί αυτόματα.
- Το εύρος της θερμοκρασίας που μπορεί να οριστεί κυμαίνεται από 2°C έως 10°C.

- Όταν η ένδειξη **def** είναι αναμμένη, η συσκευή βρίσκεται σε διαδικασία απόψυξης.

- Ρυθμίστε το ύψος κάθε ραφιού ανάλογα με το ύψος των προϊόντων που θα τοποθετηθούν.

## Οδηγίες εγκατάστασης

- Αφαιρέστε τη συσκευή από τη συσκευασία και, στη συνέχεια, αφαιρέστε τα εξωτερικά και εσωτερικά υλικά συσκευασίας και περιτύλιξης.
- Βεβαιωθείτε ότι η συσκευή δεν φέρει ζημιές. Σε περίπτωση μη ολοκληρωμένης παράδοσης ή ζημιών, ΜΗΝ χρησιμοποιείτε τη συσκευή. Επικοινωνήστε με τον προμηθευτή (Βλ. ==> Εγγύηση).
- Αφήστε τη συσκευή σε όρθια θέση για περίπου 2 ώρες. Με αυτόν τον τρόπο θα μειώσετε την πιθανότητα δυσλειτουργίας του συστήματος ψύξης από μη κατάλληλο χειρισμό κατά τη μεταφορά.
- Καθαρίστε το εσωτερικό της συσκευής με χλιαρό νερό και ένα μαλακό πανί. (Βλ. ==> Καθαρισμός και Συντήρηση).
- Τοποθετήστε τη συσκευή σε μια επιφάνεια σταθερή, ανθεκτική στη θερμότητα και προστατευμένη από το νερό.
- Τοποθετήστε σωστά όλες τις σχάρες στη συσκευή.
- Η βέλτιστη θερμοκρασία περιβάλλοντος για τη λειτουργία της συσκευής κυμαίνεται μεταξύ 16°C και 30°C. Διαφορετικά, η λειτουργικότητα ενδέχεται να περιοριστεί.

- Βεβαιωθείτε ότι υπάρχει επαρκής αερισμός. Αφήστε τουλάχιστον 10 cm ελεύθερο χώρο γύρω από τη συσκευή. Μην φράσσετε τις οπές εξαερισμού.

- Για εξοικονόμηση ενέργειας, η πόρτα πρέπει να είναι πάντα κλειστή.

- Βεβαιωθείτε ότι έχετε στη διάθεσή σας όλα τα απαραίτητα εξαρτήματα και εργαλεία που απαιτούνται για τη συναρμολόγηση και τη λειτουργία της συσκευής. Βεβαιωθείτε επίσης ότι διαθέτετε τον κατάλληλο εξοπλισμό ατομικής προστασίας (π.χ. γάντια, δεν περιλαμβάνονται).

- Σημείωση: Λόγω καταλοίπων από τη διαδικασία παραγωγής, η συσκευή ενδέχεται να παράγει μια ελαφριά μυρωδιά στους πρώτους κύκλους λειτουργίας της. Αυτό είναι φυσιολογικό και δεν υποδηλώνει βλάβη ή κίνδυνο. Βεβαιωθείτε ότι η συσκευή διαθέτει καλό εξαερισμό.

## Λειτουργία

### Τοποθέτηση

- Τοποθετείτε τη συσκευή σε σταθερή και επίπεδη επιφάνεια.
- Βεβαιωθείτε ότι η συσκευή είναι επίπεδη, χρησιμοποιώντας ένα αλφάδι (δεν παρέχεται). Χρησιμοποιήστε σφήνες ισιώματος επίπλων, εάν παρατηρήσετε ότι η συσκευή δεν είναι επίπεδη ή είναι ασταθής.
- Αφήστε τη συσκευή στην επιθυμητή θέση για περίπου 2 ώρες πριν από τη χρήση για να αποφευχθούν ζημιές στο κύκλωμα ψύξης λόγω ανακίνησης του ψυκτικού μέσου.
- Κλειδώνετε πάντα τα αυτοπροσανατολιζόμενα ροδάκια (2) όταν πετύχετε την επιθυμητή θέση, για την αποφυγή μετατόπισης.

### Ενεργοποίηση/Απενεργοποίηση της συσκευής

- Η συσκευή ενεργοποιείται μόλις συνδεθεί στην κατάλληλη παροχή ρεύματος. Για να απενεργοποιήσετε τη συσκευή, αποσυνδέστε την παροχή ρεύματος.
- Όταν η συσκευή συνδεθεί στην παροχή ρεύματος, θα ακουστεί ένας ήχος.
- Περιμένετε τουλάχιστον 5 λεπτά προτού συνδέσετε ξανά τη συσκευή σε περίπτωση αποσύνδεσης ή αιφνίδιας διακοπής της λειτουργίας της.
- Να αποσυνδέετε τη συσκευή από τη πρίζα όταν δεν τη χρησιμοποιείτε.

## Καθαρισμός και συντήρηση

**Προσοχή:** Να αποσυνδέετε πάντα τη συσκευή από την πρίζα πριν ξεκινήσετε εργασίες καθαρισμού ή συντήρησης.

### Καθαρισμός

- Οι εξωτερικές και εσωτερικές επιφάνειες μπορούν να καθαριστούν με ένα νωπό πανί και μια μικρή ποσότητα καθαριστικού μέσου.
- Τα ράφια μπορούν να αφαιρεθούν και να πλυθούν με νερό.
- Μην χρησιμοποιείτε πίδακες νερού ή συσκευές καθαρισμού με ατμό και μη βυθίζετε τη συσκευή μέσα σε νερό.
- Κανένα μέρος της συσκευής δεν μπορεί να πλυθεί σε πλυντήριο πιάτων.
- Καθαρίζετε τακτικά τη συσκευή.

Εξαρτήματα	Τρόπος καθαρισμού	Σημείωση
Όλα τα εξαρτήματα όπως ράφια, στηρίγματα ραφιών κλπ	<ul style="list-style-type: none"><li>• Βάλτε τα σε ζεστό σαπουνόνερο για περίπου 10 έως 20 λεπτά.</li><li>• Ξεπλύνετε καλά με καθαρό νερό.</li></ul>	Στεγνώστε καλά όλα τα εξαρτήματα.
Εξωτερικές γυάλινες επιφάνειες	<ul style="list-style-type: none"><li>• Σκουπίστε με ένα μαλακό πανί και ουδέτερο απορρυπαντικό. Βεβαιωθείτε ότι δεν εισέρχεται νερό ή υγρασία στο εσωτερικό της συσκευής.</li></ul>	
Εσωτερικές γυάλινες επιφάνειες	<ul style="list-style-type: none"><li>• Αφαιρέστε τυχόν υπολείμματα τροφίμων.</li><li>• Σκουπίστε με ένα μαλακό πανί και ήπιο απορρυπαντικό. Βεβαιωθείτε ότι δεν εισέρχεται νερό ή υγρασία στο εσωτερικό της συσκευής.</li></ul>	
Γυάλινη πόρτα		

### Αποθήκευση της συσκευής για μεγάλο χρονικό διάστημα

- **Προσοχή:** Να αποσυνδέετε πάντα τη συσκευή από την πρίζα.
- Αφαιρέστε όλα τα τρόφιμα από τη συσκευή.
- Καθαρίστε τη συσκευή όπως περιγράφεται στην ενότητα Καθαρισμός. (Βλ. ==> Καθαρισμός).
- Φυλάξτε τη συσκευή σε δροσερό και καθαρό μέρος και μακριά από τα παιδιά.

## Αντιμετώπιση προβλημάτων

Αν η συσκευή δεν λειτουργεί σωστά, συμβουλευτείτε τον παρακάτω πίνακα για πιθανές λύσεις. Αν συνεχίσετε να μην μπορείτε να επιλύσετε το πρόβλημα, επικοινωνήστε με τον προμηθευτή/πάροχο σέρβις.

Προβλήματα	Πιθανή αιτία	Πιθανή λύση
Η συσκευή δεν αρχίζει να ψύχεται μετά τη σύνδεσής της στο ρεύμα.	Έχει ενεργοποιηθεί η θερμική διακοπή.	Απευθυνθείτε στον προμηθευτή/πάροχο σέρβις για επισκευή.
	Ο συμπιεστής είναι ελαττωματικός.	
	Το φις δεν είναι σωστά συνδεδεμένο στην πρίζα.	Βεβαιωθείτε ότι όλες οι συνδέσεις είναι σωστά συνδεδεμένες.
Η λυχνία δεν ανάβει/σβήνει με το πάτημα του διακόπτη ON / OFF (8).	Η λυχνία είναι ελαττωματική.	Απευθυνθείτε στον προμηθευτή/πάροχο σέρβις για επισκευή.
Η ψύξη δεν είναι αρκετή.	Η συσκευή είναι εκτεθειμένη σε ισχυρή ηλιακή ακτινοβολία ή βρίσκεται κοντά σε πηγή θερμότητας.	Μετακινήστε τη συσκευή σε νέα θέση, μακριά από άμεση ηλιακή ακτινοβολία.
	Η πόρτα δεν έχει κλείσει καλά ή η φλάντζα σφραγίσματος είναι ελαττωματική.	Κλείστε καλά την πόρτα.
	Έχει τοποθετηθεί υπερβολικά μεγάλη ποσότητα τροφίμων μέσα στη συσκευή.	Τοποθετήστε μικρότερη ποσότητα τροφίμων μέσα στη συσκευή.
	Ο περιβάλλον αερισμός δεν είναι επαρκής.	Βεβαιωθείτε ότι παρέχεται επαρκής εξαερισμός διατηρώντας απόσταση τουλάχιστον 10 cm από τον τοίχο ή άλλα αντικείμενα.
Εξέρχεται υπερβολικός θόρυβος.	Η συσκευή δεν έχει τοποθετηθεί σε οριζόντια θέση.	Βεβαιωθείτε ότι η συσκευή έχει τοποθετηθεί σε οριζόντια θέση.
	Η συσκευή ακουμπά σε τοίχο ή άλλα αντικείμενα.	Βεβαιωθείτε ότι διατηρείται απόσταση τουλάχιστον 10 cm από τον τοίχο ή άλλα αντικείμενα.
	- Υπάρχουν χαλαρά εξαρτήματα στο εσωτερικό της συσκευής	Απευθυνθείτε στον προμηθευτή/πάροχο σέρβις για επισκευή.



## Τεχνικές προδιαγραφές

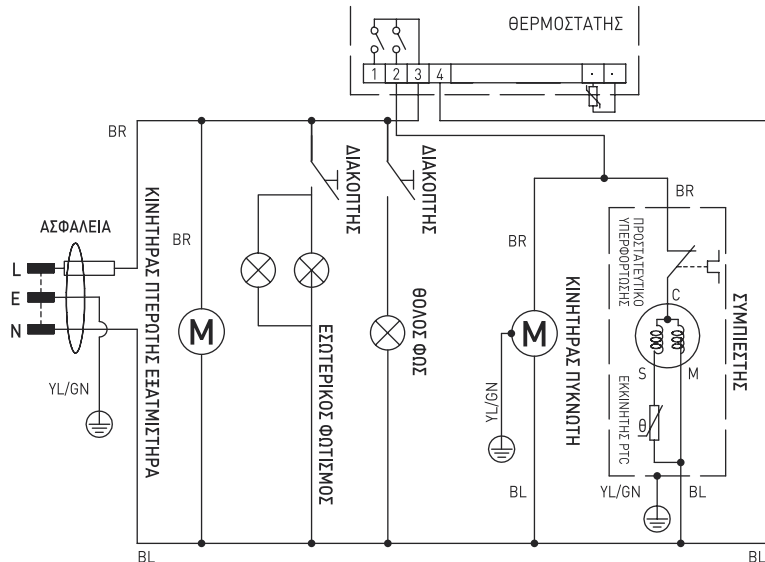
Αρ. προϊόντος	233788	233795
Τάση και συχνότητα λειτουργίας	220-240V~ 50Hz	
Ονομαστική ισχύς εισόδου	300W	400W
Ονομαστικό ρεύμα	1,5 A	2,5 A
Ρύθμιση εύρους θερμοκρασίας	2°C έως 10°C	
Συνιστώμενη ρύθμιση θερμοκρασίας	4°C	
Κατηγορία προστασίας	Κατηγορία I	
Επίπεδο θορύβου	< 60 dB (A)	
Χρησιμοποιούμενο ψυκτικό μέσο και ποσότητα έγχυσης	R600a / 80g	R290 / 120g
Κατηγορία ενεργειακής απόδοσης	E	F
Παράγοντας φυσικού αερίου	Κυκλοπενάνιο	
Ισχύς λυχνίας	15W	18W
Κλιματική κλάση	N-ST	
Χωρητικότητα θαλάμου	313L	618L
Αριθμός ραφιών	4	8
Μέγιστο φορτίο ανά ράφι	8kg	
Εξωτερικές διαστάσεις	620x669x(Y)1965mm	1120x595x(Y)1965mm

**Σημείωση: Οι τεχνικές προδιαγραφές μπορούν να τροποποιηθούν χωρίς προηγούμενη ειδοποίηση.**

GR

**ΣΗΜΕΙΩΣΗ: Η ενεργειακή κλάση είναι σύμφωνη με τη λειτουργία σε κλίματα με μέγιστη θερμοκρασία 25°C και μέγιστη υγρασία 60%.**

## Ηλεκτρικό Διάγραμμα (Προϊόν 233788, 233795)



---

## Εγγύηση

Οποιοδήποτε ελάττωμα επηρεάζει τη λειτουργικότητα της συσκευής που γίνεται προφανές δύο χρόνια μετά την αγορά της, θα διορθώνεται με δωρεάν επισκευή ή αντικατάσταση, αρκεί η συσκευή να έχει χρησιμοποιηθεί και συντηρηθεί σύμφωνα με τις οδηγίες και να μην έχει γίνει κατάχρηση ή λανθασμένη χρήση της με οποιονδήποτε τρόπο. Δε θίγονται τα νόμιμα δικαιώματά σας. Εάν η συσκευή υποστηρίζεται

από εγγύηση, δηλώστε πού και πότε έχει αγοραστεί και συμπεριλάβετε την απόδειξη αγοράς (π.χ. απόδειξη λιανικής πώλησης).

Σύμφωνα με την πολιτική μας για τη συνεχή εξέλιξη των προϊόντων μας, διατηρούμε το δικαίωμα να αλλάξουμε το προϊόν, τη συσκευασία και τις προδιαγραφές τεκμηρίωσής του χωρίς προειδοποίηση.

---

## Απόρριψη & Περιβάλλον

Η συσκευή, μετά το πέρας της διάρκειας ζωής της, δεν πρέπει να απορρίπτεται ως οικιακό απόρριμμα. Πρέπει να απορρίπτεται, με δική σας ευθύνη, σε καθορισμένο σημείο συλλογής. Η μη τήρηση αυτού ενδέχεται να τιμωρείται σύμφωνα με τους ισχύοντες κανονισμούς για τη διάθεση των απορριμμάτων. Η χωριστή συλλογή και ανακύκλωση αυτής της συσκευής κατά τη στιγμή της απόρριψης βοηθά στη διατήρηση των φυσικών πόρων και εξασφαλίζει την ανακύκλωσή της με τρόπο που προστατεύει την ανθρώπινη υγεία και το περιβάλλον.

Για περισσότερες πληροφορίες σχετικά με το πού μπορείτε να απορρίψετε τη συσκευή για ανακύκλωση, επικοινωνήστε με την τοπική εταιρεία συλλογής απορριμμάτων. Οι κατασκευαστές και οι εισαγωγείς δεν αναλαμβάνουν την ευθύνη ανακύκλωσης, επεξεργασίας και οικολογικής διάθεσης, είτε άμεσα είτε μέσω δημόσιου συστήματος.

GR

ΣΕΡΒΙΣ ΕΛΛΑΔΟΣ:

Τηλ.: 213 0 998989 (10 γραμμές)

info@pks-hendi.com



## Hendi B.V.

Innovatielaan 6  
6745 XW De Klomp, The Netherlands  
**Tel:** +31 317 681 040  
**Email:** info@hendi.eu

## Hendi Polska Sp. z o.o.

ul. Firmowa 12  
62-023 Robakowo, Poland  
**Tel:** +48 61 658 7000  
**Email:** info@hendi.pl

## Hendi Food Service Equipment GmbH

Ehring 15  
5112 Lamprechtshausen, Austria  
**Tel:** +43 6274 200 10 0  
**Email:** office.austria@hendi.eu

## Hendi Food Service Equipment Romania S.R.L.

Str. 13 decembrie 94A, Hala 14  
Braşov, 500164, Romania  
**Tel:** +40 268 320330  
**Email:** office@hendi.ro

## PKS Hendi South East Europe SA

5 Metsovou Str.  
18346 Moschato, Athens, Greece  
**Tel:** +30 210 4839700  
**Email:** info@pks-hendi.com

## Hendi Italia S.R.L.

Via Leonardo da Vinci 4  
39100 Bolzano (BZ), Italy  
**Tel:** +39 800 727 438  
**Email:** office.italy@hendi.eu

## Hendi HK Ltd.

1208, 12/F Exchange Tower  
33 Wang Chiu Road, Kowloon Bay, Hong Kong  
**Tel:** +852 2154 2618  
**Email:** info-hk@hendi.eu

## Find Hendi on internet:

[www.hendi.eu](http://www.hendi.eu)  
[www.facebook.com/HendiToolsforChefs](https://www.facebook.com/HendiToolsforChefs)  
[www.linkedin.com/company/hendi-food-service-equipment-b.v](https://www.linkedin.com/company/hendi-food-service-equipment-b.v)  
[www.youtube.com/HendiEquipment](https://www.youtube.com/HendiEquipment)

- Changes, printing and typesetting errors reserved.  
- Änderungen und Druckfehler vorbehalten.  
- Wijzigingen en drukfouten voorbehouden.  
- Producent zastrzega sobie prawo do zmian oraz błędów drukarskich w instrukcji.

- Variations et fautes d'impression réservés.  
- Errori di cambiamenti, di stampa e di impaginazione riservati.  
- Drepturi rezervate cu privire la modificări și greșeli de imprimare.  
- Изменения, печати и верстки ошибки защищены.  
- Με επιφύλαξη αλλαγών, λαθών εκτύπωσης και στοιχειοθεσίας.