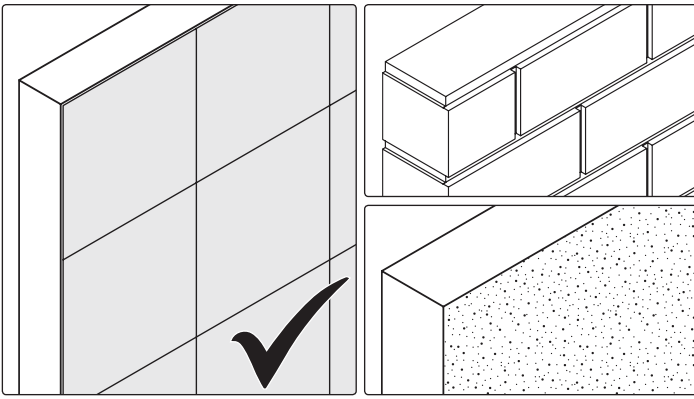


NO TOOLS NEEDED FOR INSTALLATION OF THIS PRODUCT.



⚠ USE THIS PRODUCT ONLY ON SMOOTH SURFACES! ⚠



In the majority of situations, we advise a good scrub with a 50:50 mixture of isopropyl alcohol (IPA) and water. The alcohol will dissolve light grease and water will get rid of dirt and accumulated dust. Make sure the surface is thoroughly dry before applying the adhesive tape. Do not touch the cleaned surface as finger oils and other contaminants may affect the bond.

