

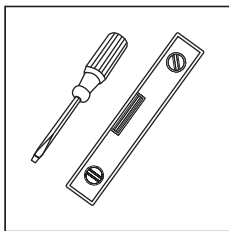
# ASTERIA

mini | user guide

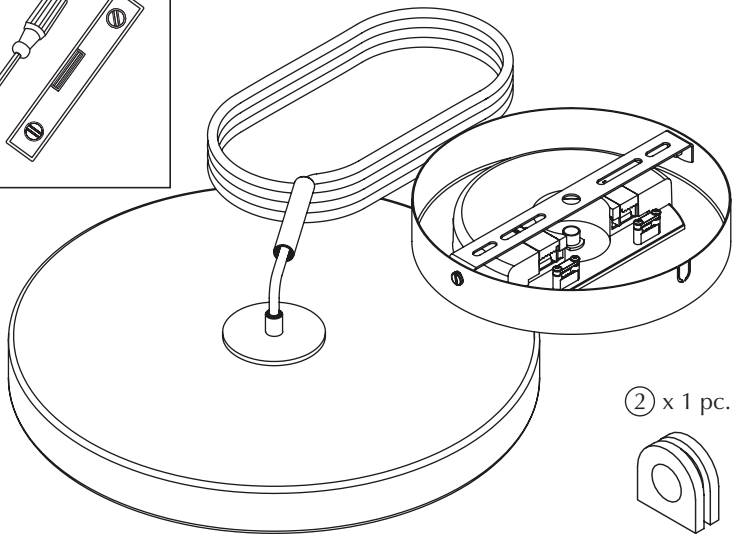


U.M.A.G.E.

## ASSEMBLY GUIDE



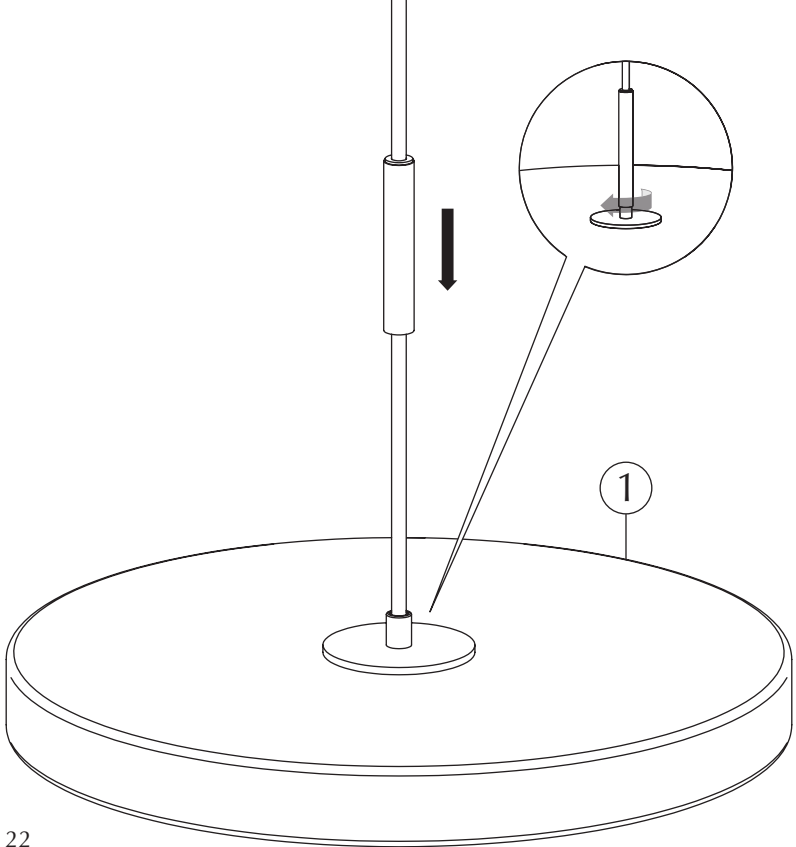
① x 1 pc.

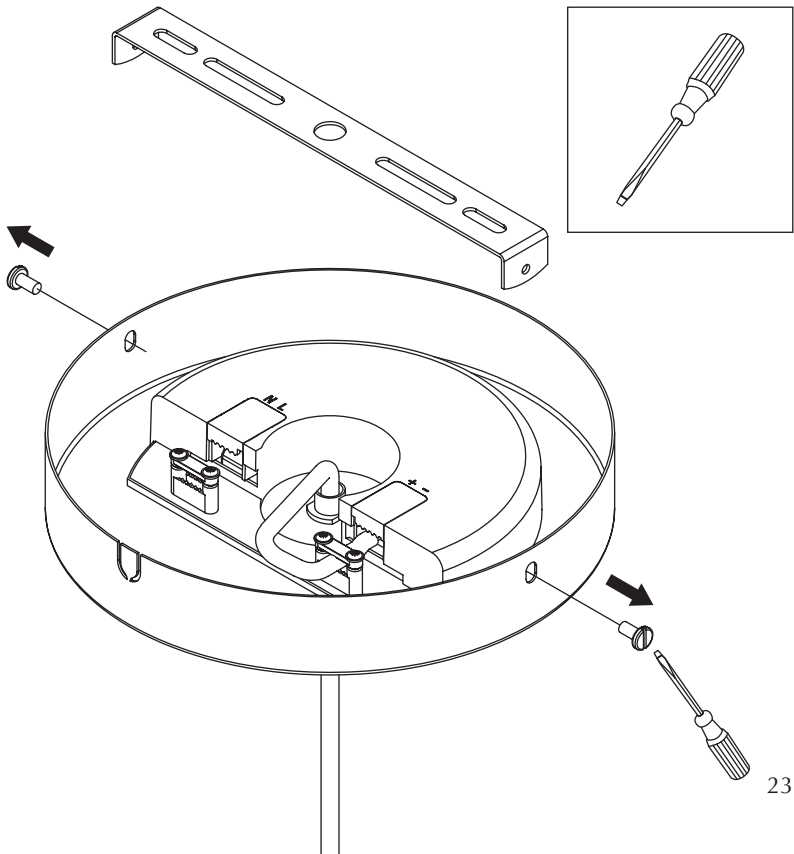


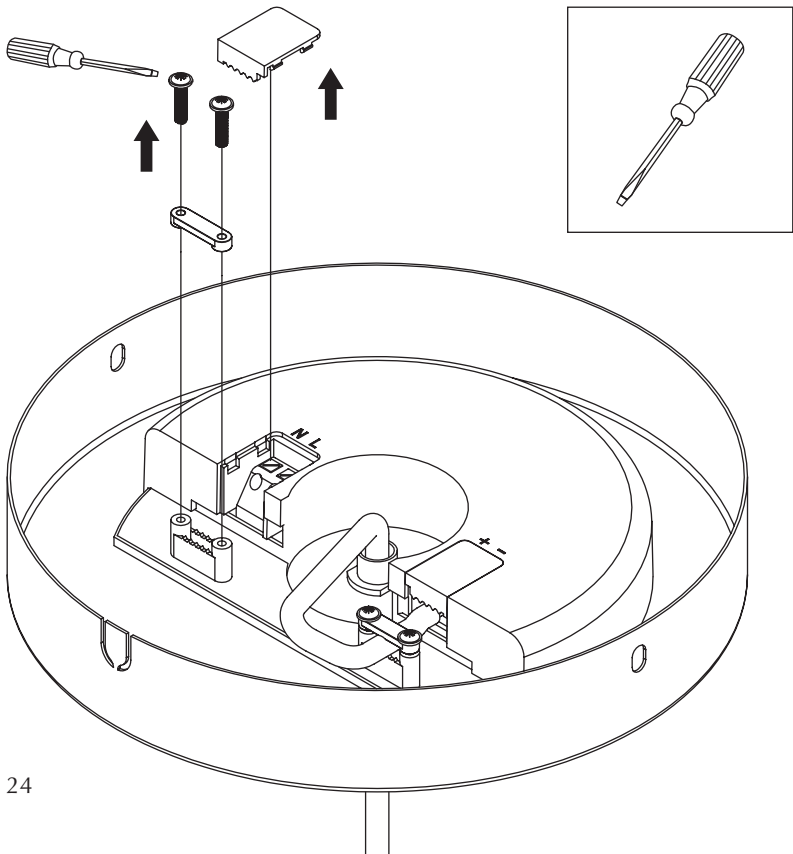
② x 1 pc.



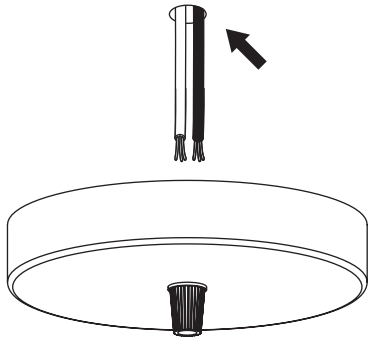
Find assembly videos by using the QR code or by going online at our website  
[umage.com/instructions](http://umage.com/instructions)



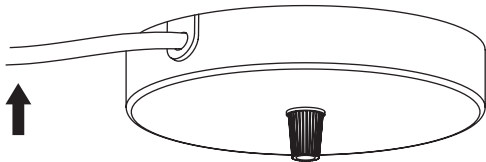




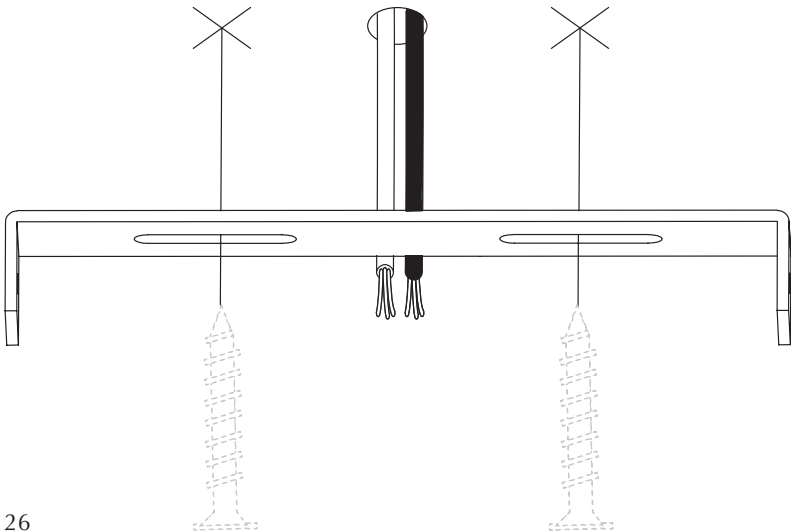
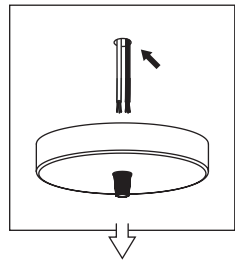
A



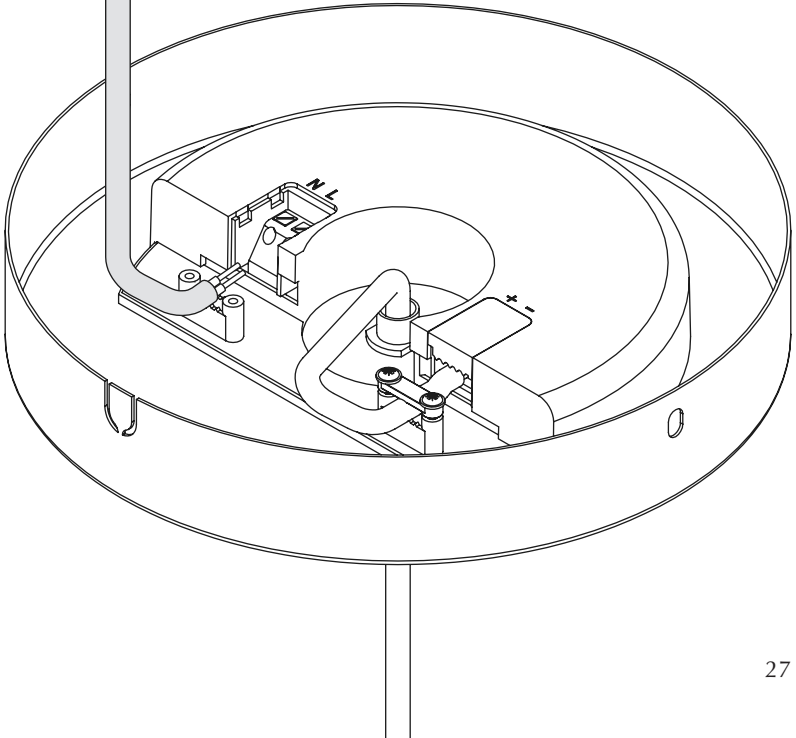
B



A.1

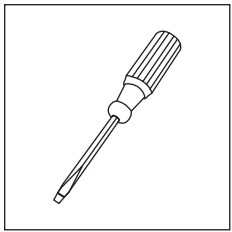
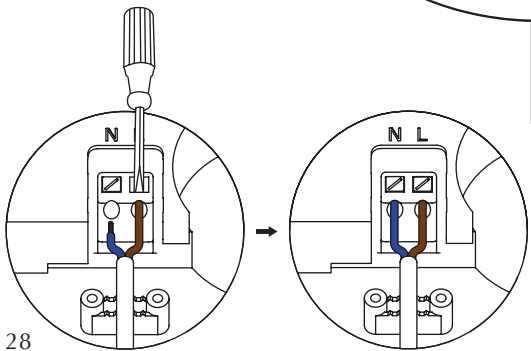
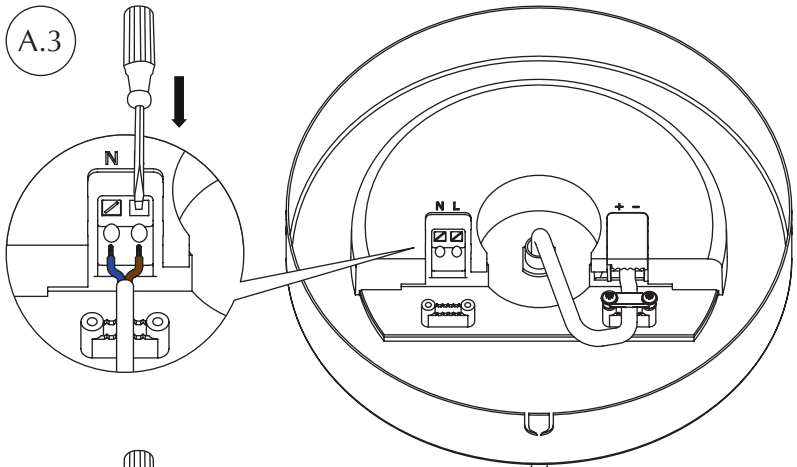


A.2

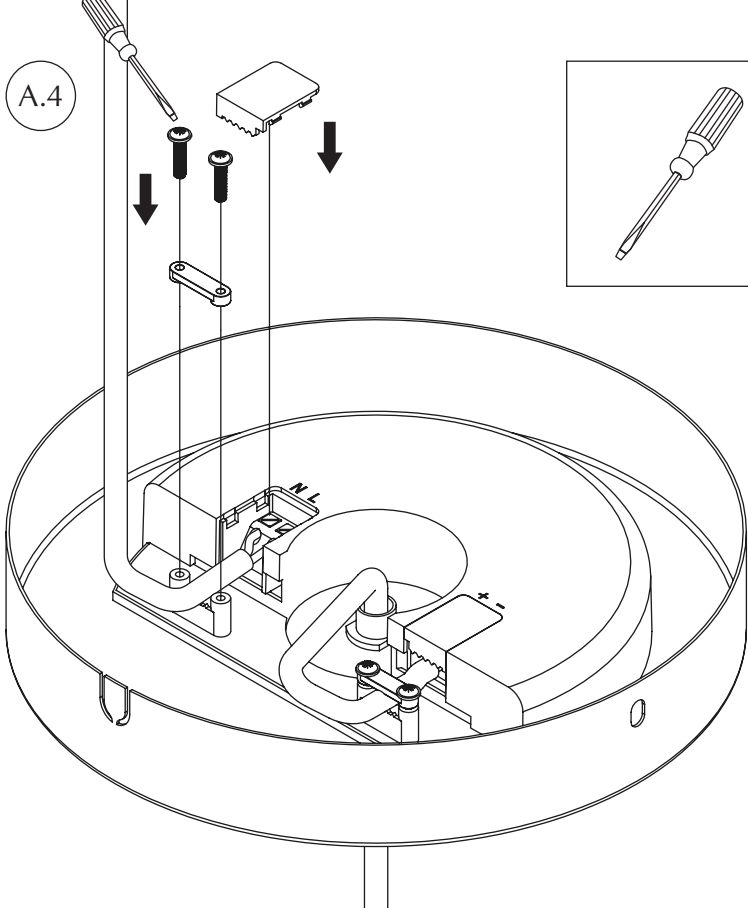




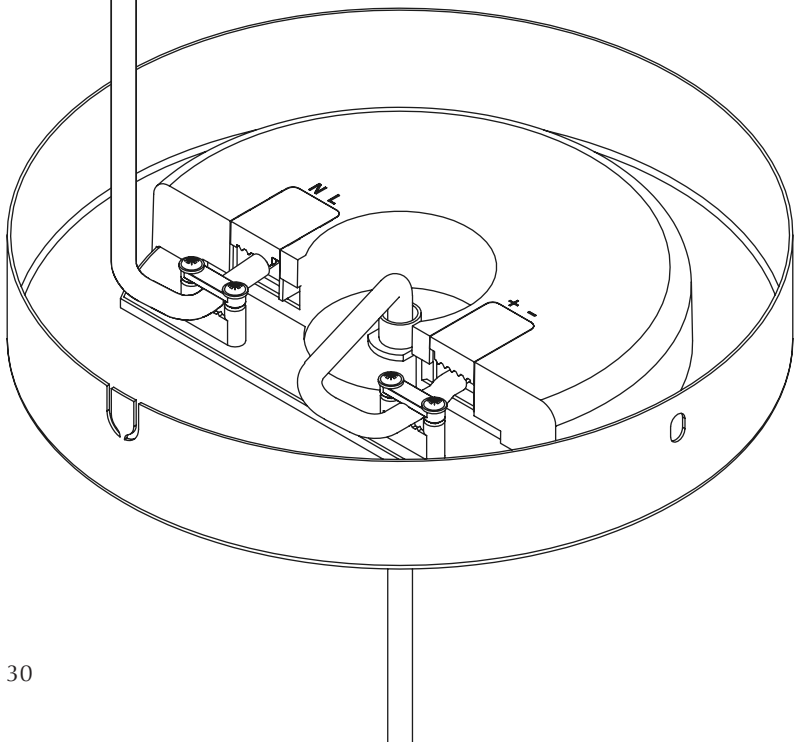
A.3



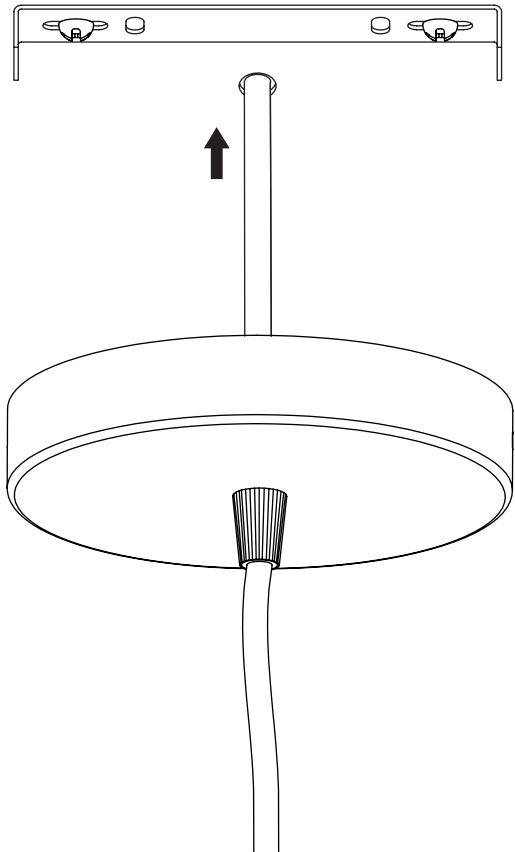
A.4



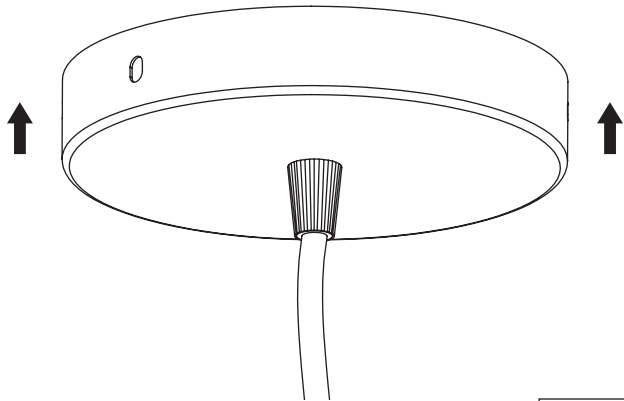
A.5



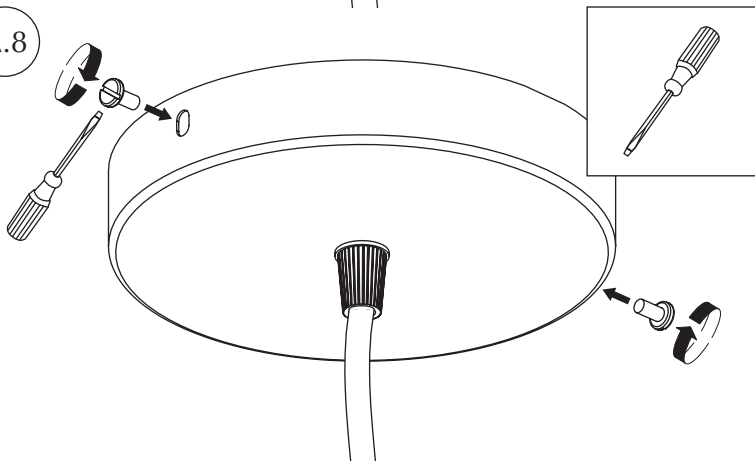
A.6



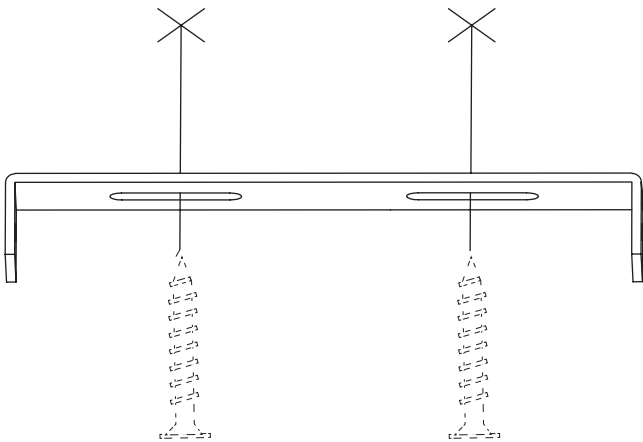
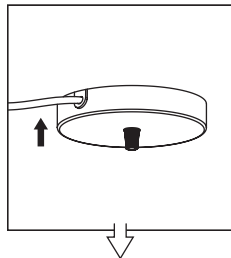
A.7



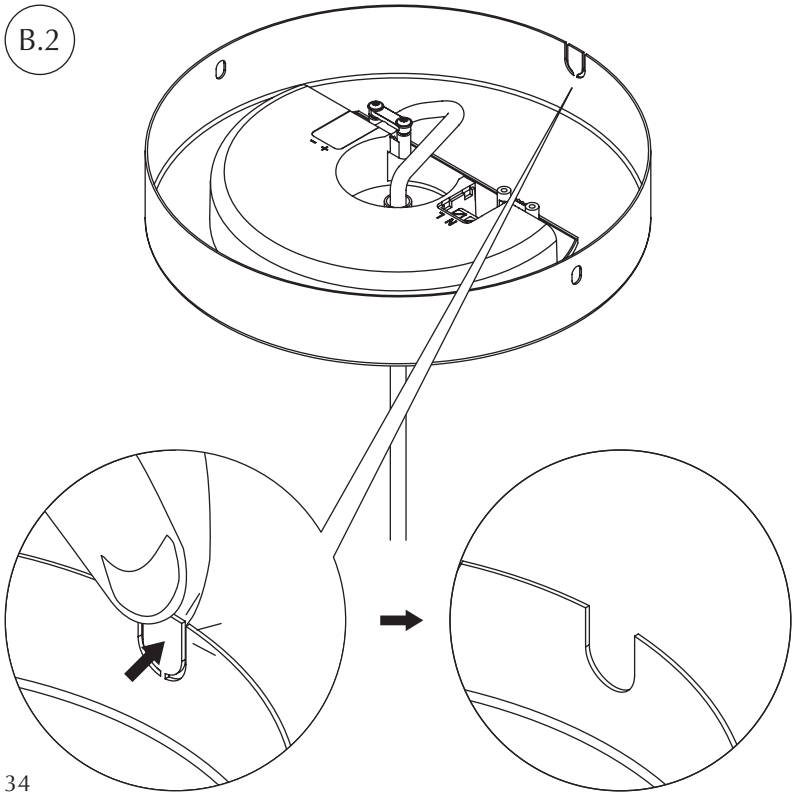
A.8



B.1

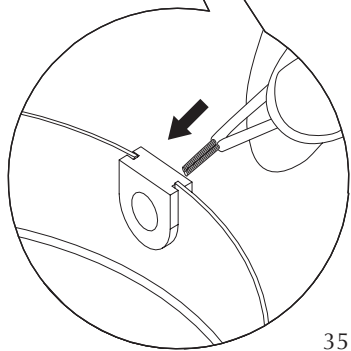
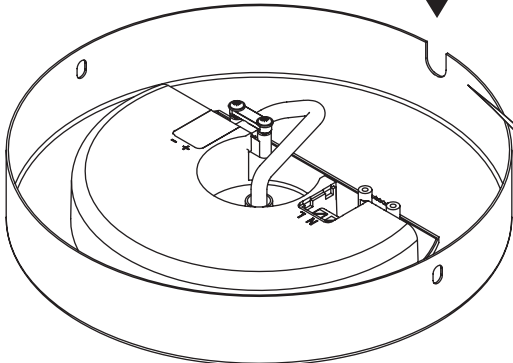


B.2



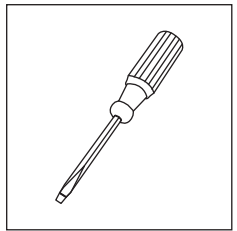
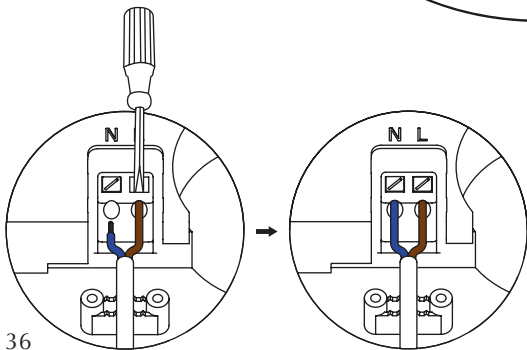
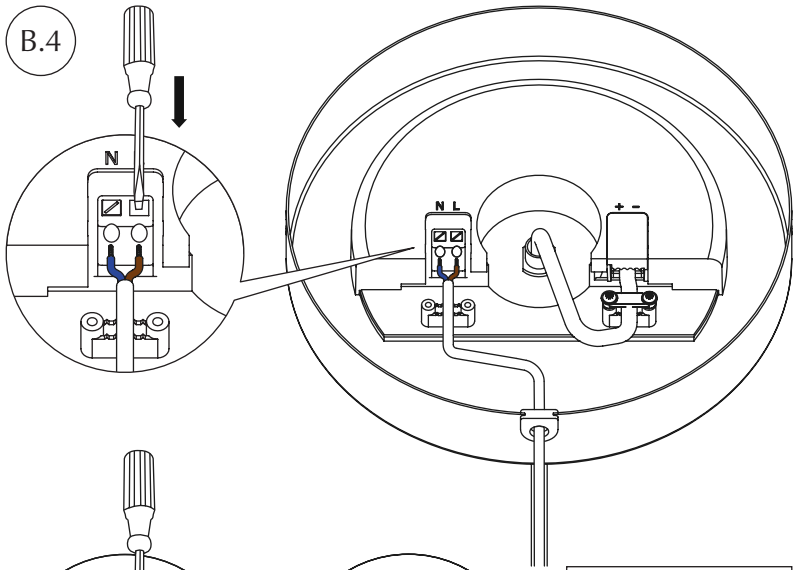
B.3

2

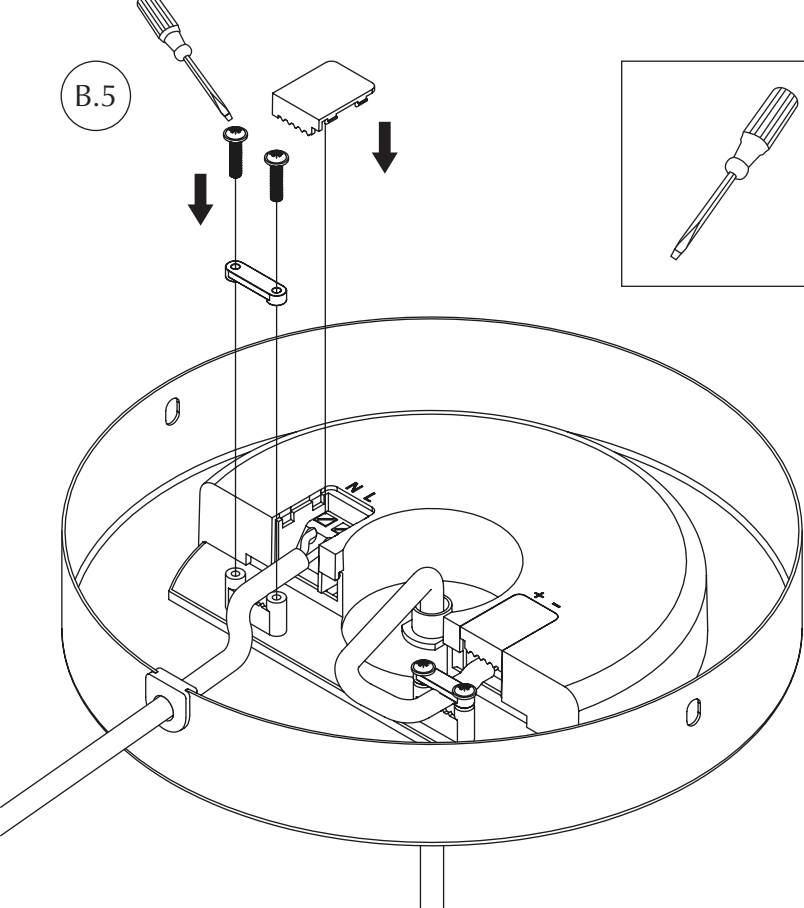




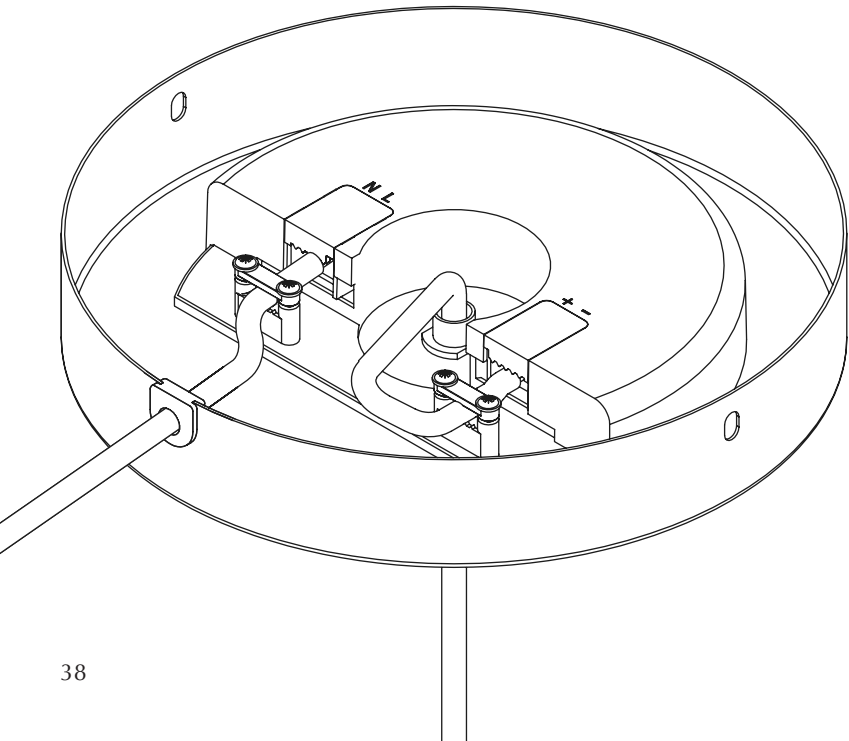
B.4



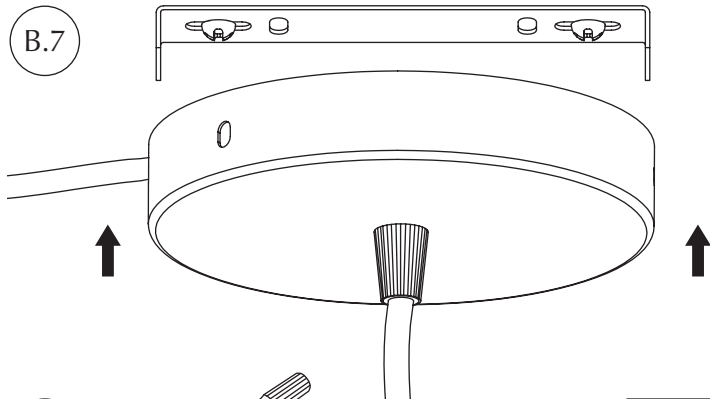
B.5



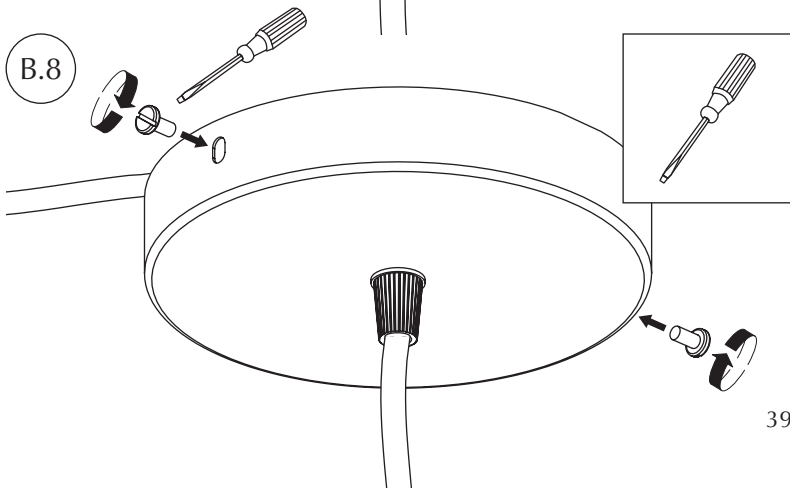
B.6

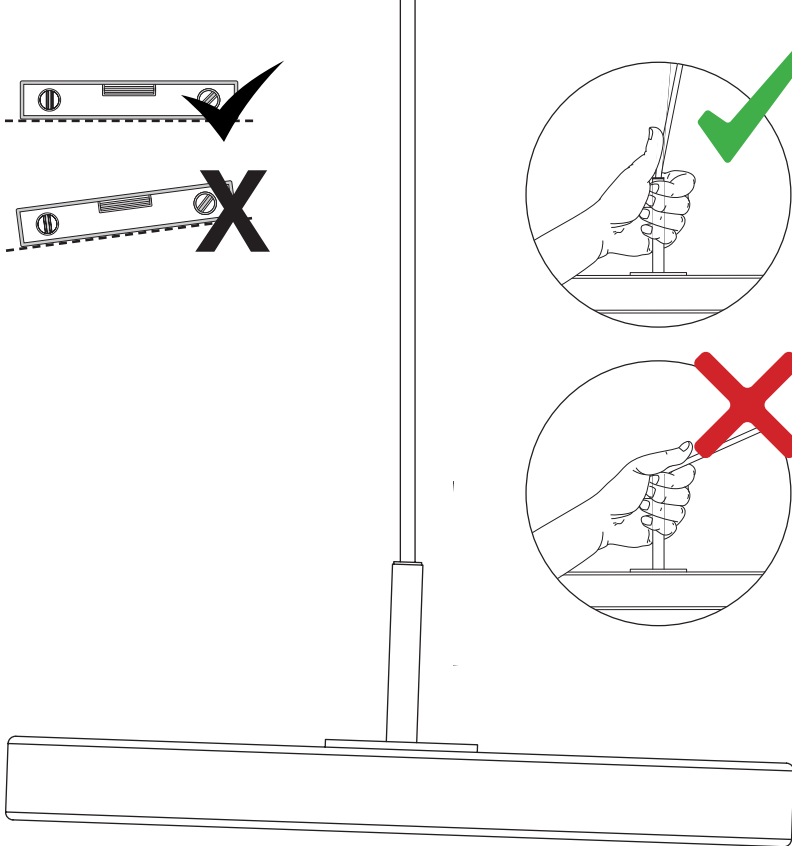
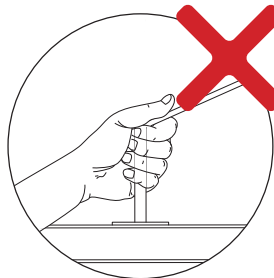
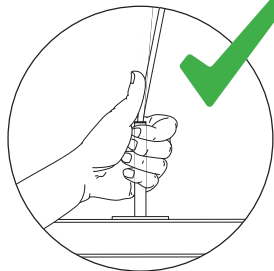
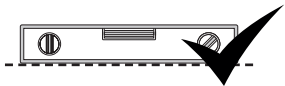


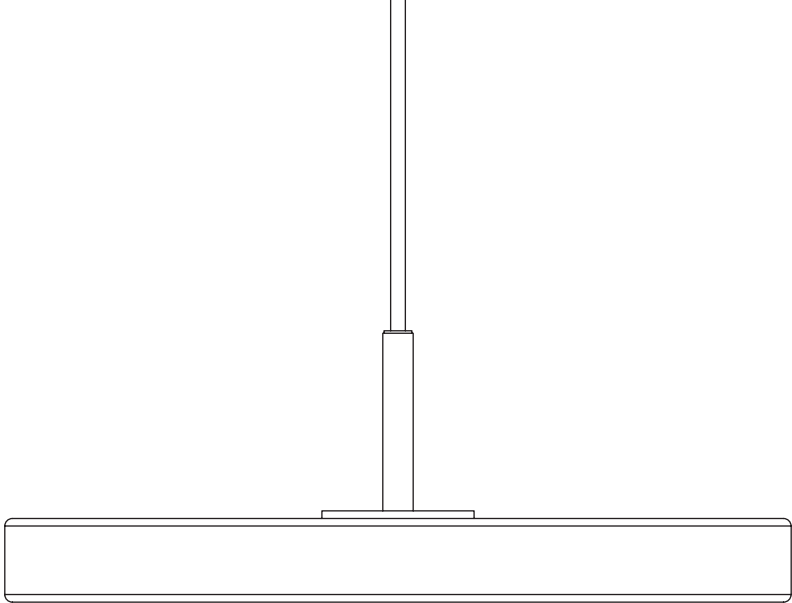
B.7



B.8

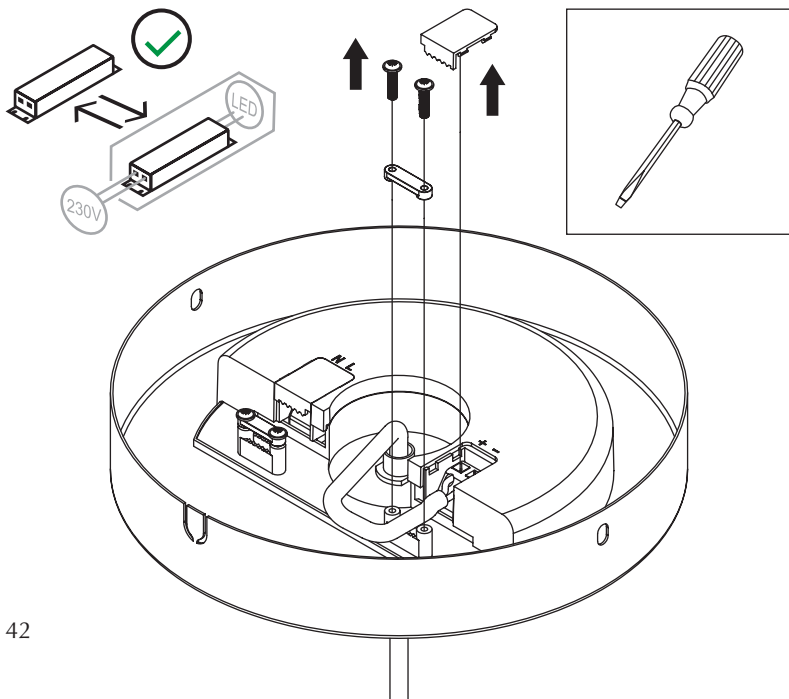


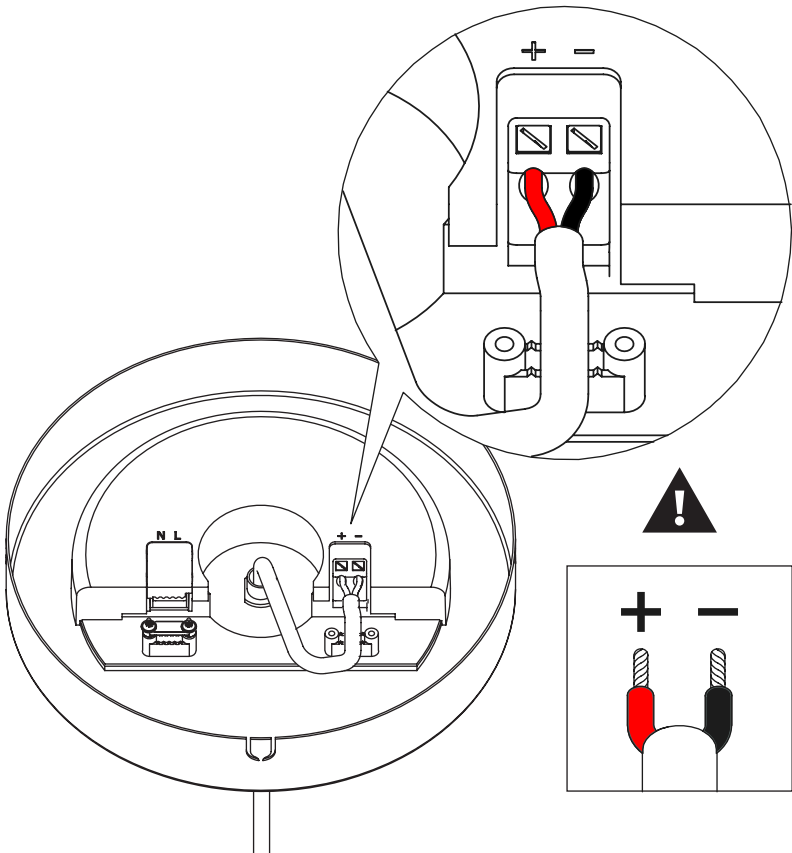




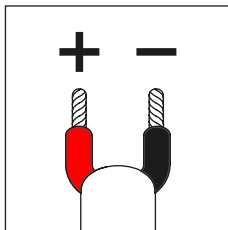
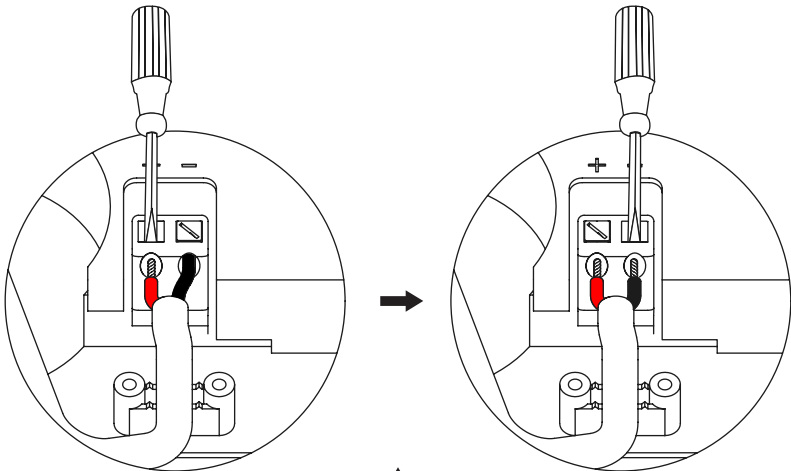
# HOW TO REMOVE / REPLACE SEPARATE CONTROL GEAR

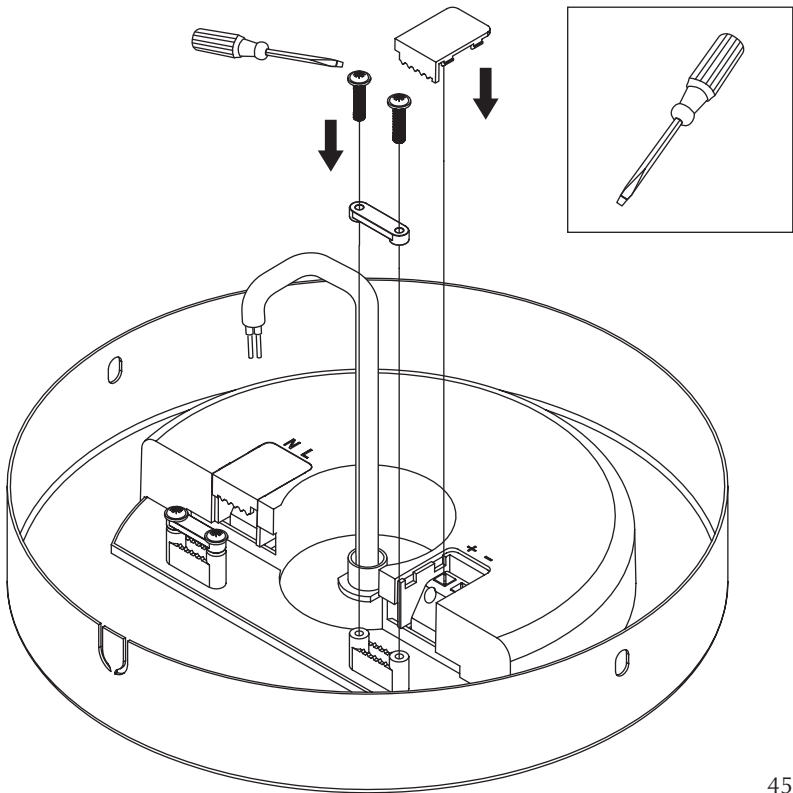
Only use control gear from UIMAGE

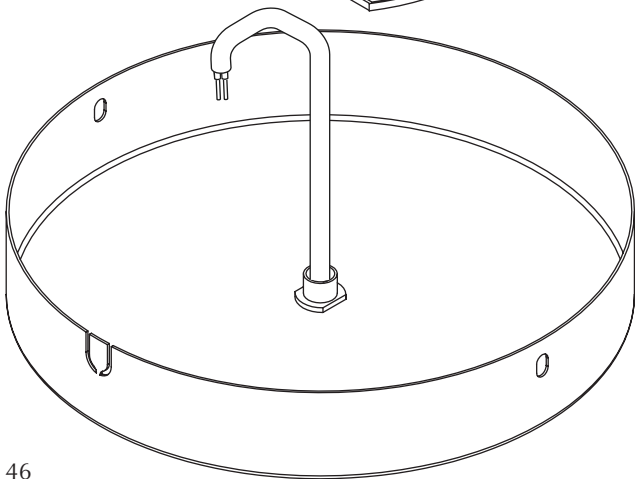
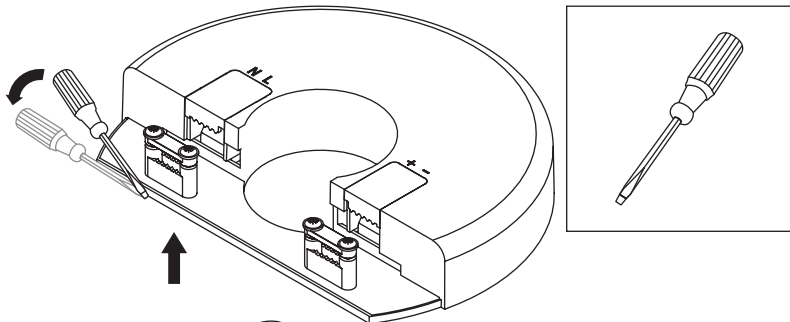


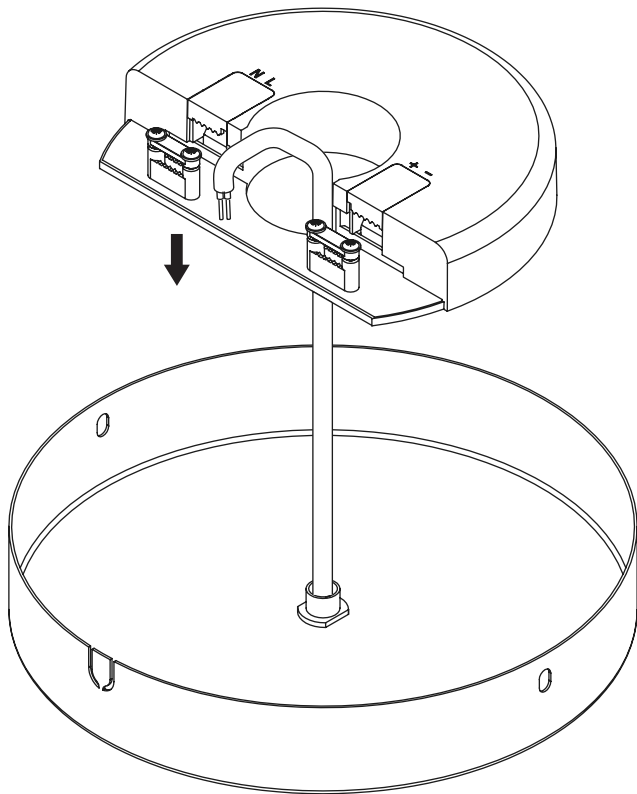


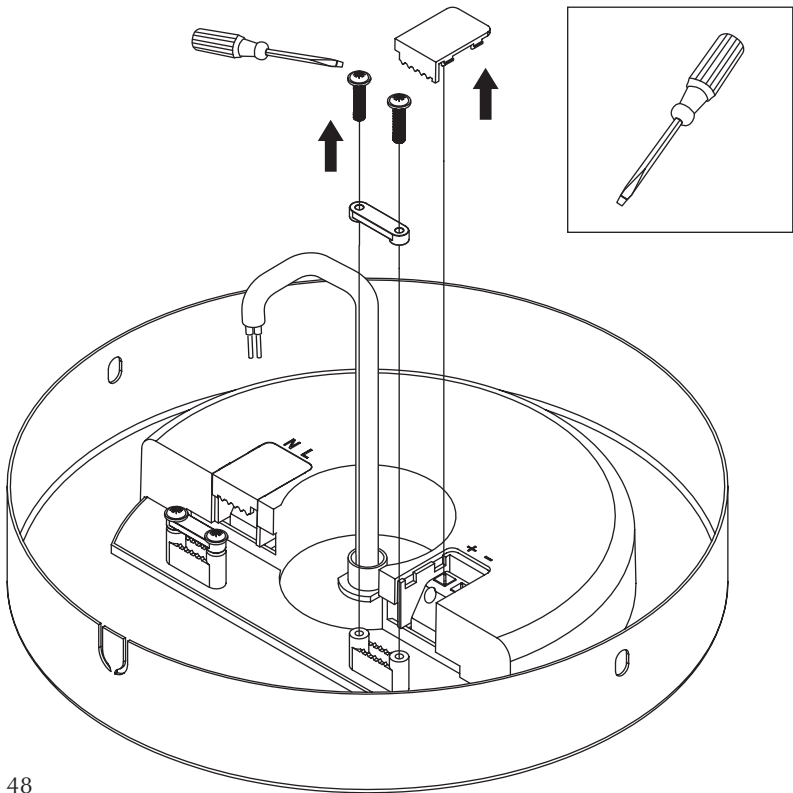


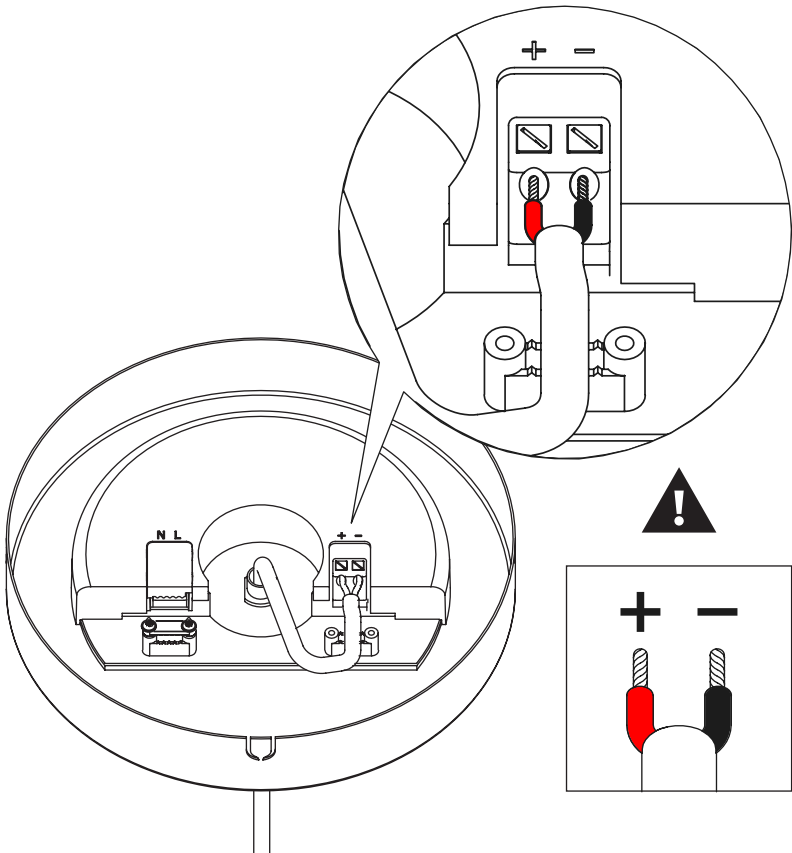


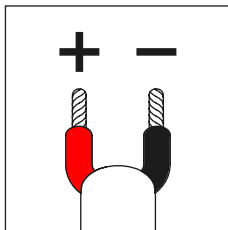
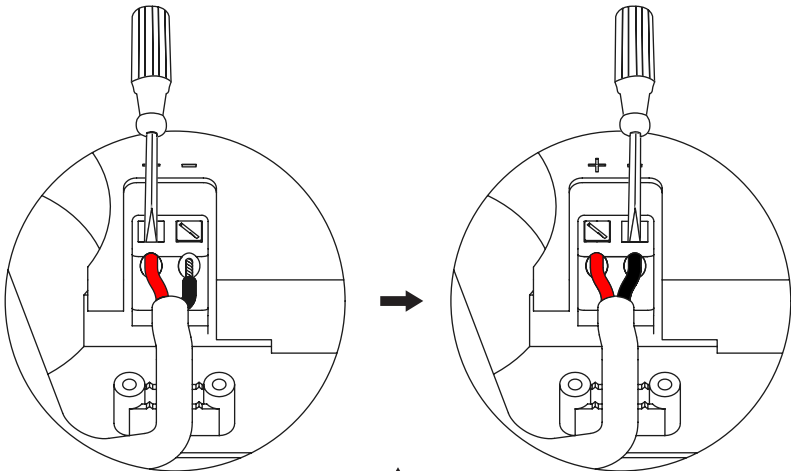


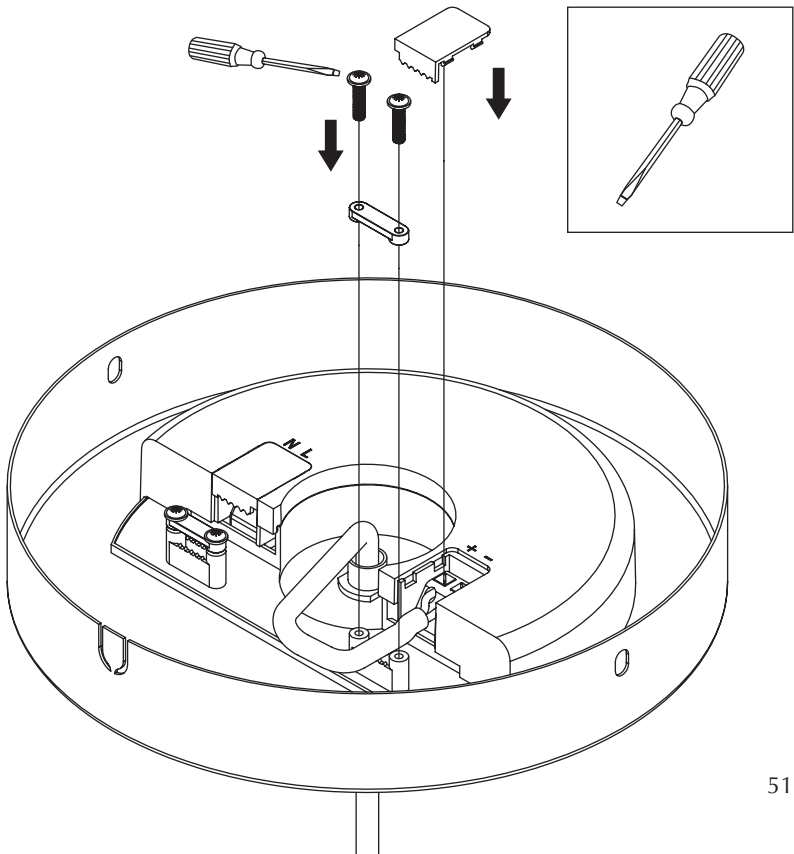




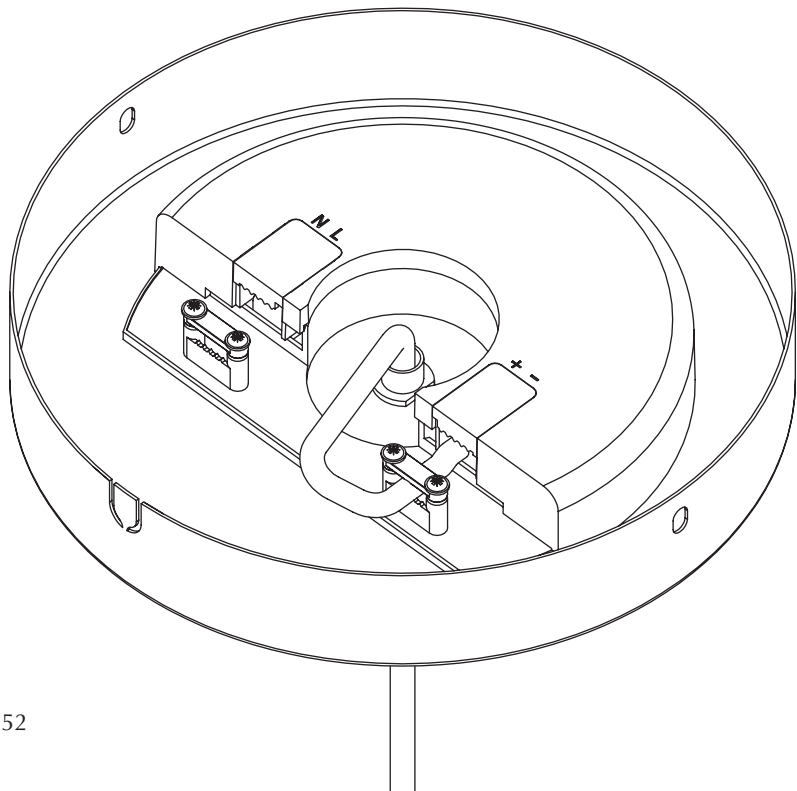














## HOW TO REMOVE LIGHT-SOURCE AT END-OF-LIFE

The following operation might permanently damage the outside shell – only do the following when product needs to be disposed of.

