

USB INTERFACE KIT

FOR
ROBOTIC ARM



OS

Windows® XP
Windows Vista™
Windows® 7
Windows® 8 & 8.1
(work only with 32-bit version)

Windows® 10
(32-bit & 64-bit)

Assembly and Instruction Manual

Contents

USB INTERFACE KIT FOR ROBOTIC ARM:

1. Product Introduction	P.1
2. Tools You May Need	P.1
3. Mechanical Parts List	P.1
4. Disconnect the wired controller and PCB from Robotic Arm	P.2
5. Install USB PCB and cover	P.5
6. How it works	P.8

USB INTERFACE KIT FOR ROBOTIC ARM

1 Product Introduction:

This is an optional USB Interface Kit which connects Robotic Arm to Windows® personal computer USB port.





2 Tools You May Need:


Screwdriver




3 Mechanical Parts List:

P1	USB Wires	
	Qty	
		1

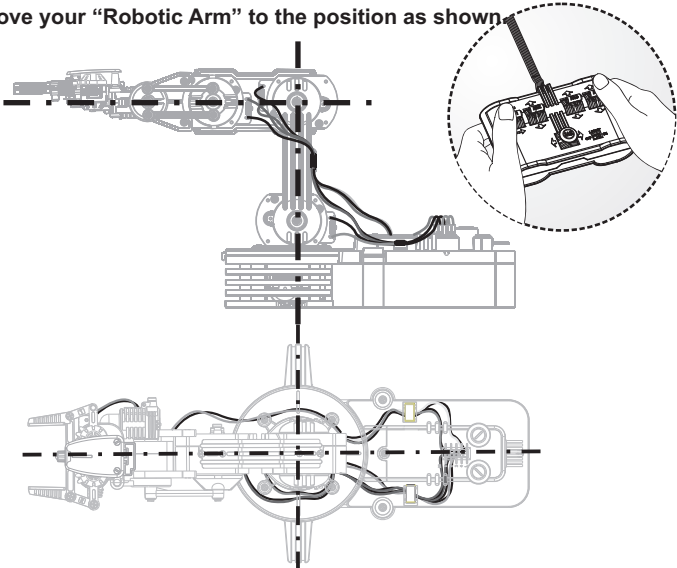
P2	PCB Cover	
	Qty	
		1

P3	USB PCB Assembly
	Qty
	1

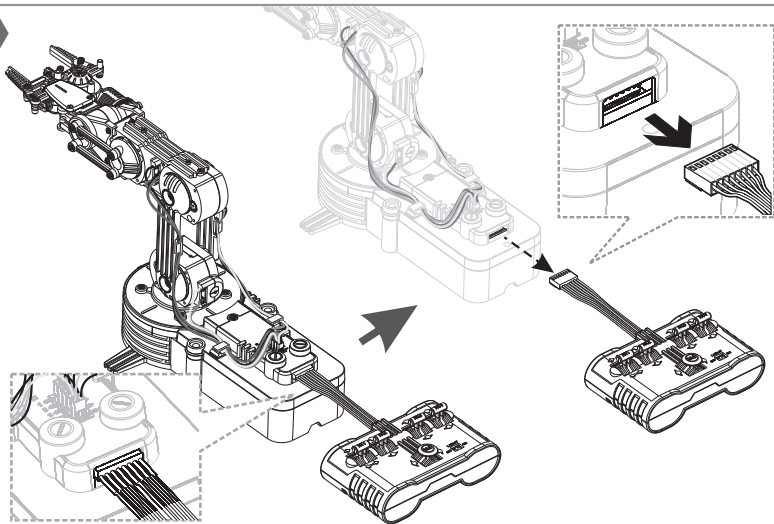
P4	CD-R
	Qty
	1

4 Disconnect the wired controller and PCB from Robotic Arm:

1 Move your “Robotic Arm” to the position as shown.

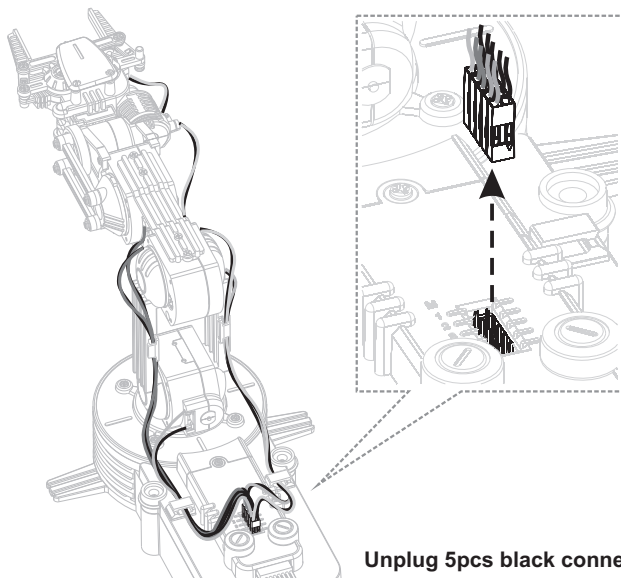


2

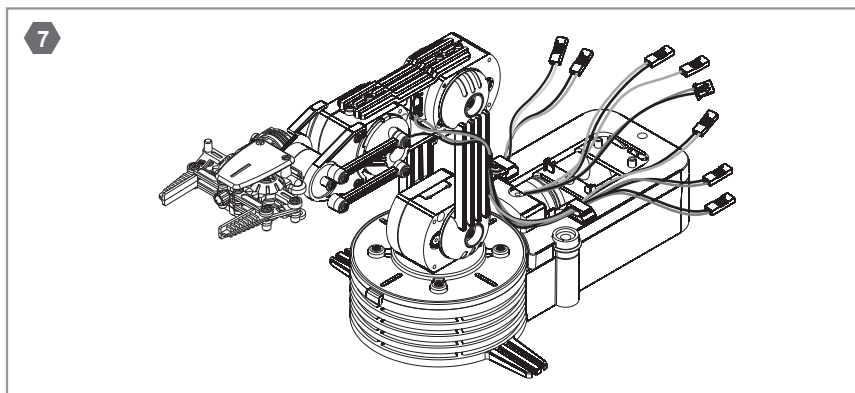
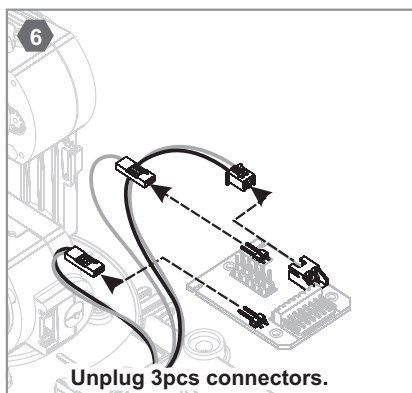
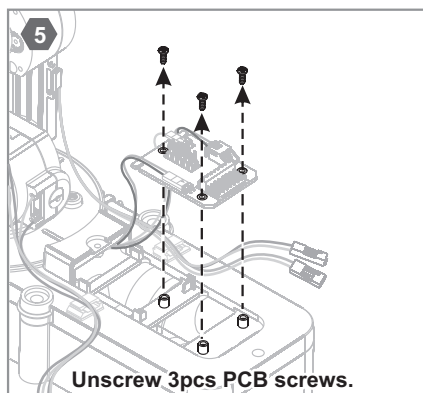
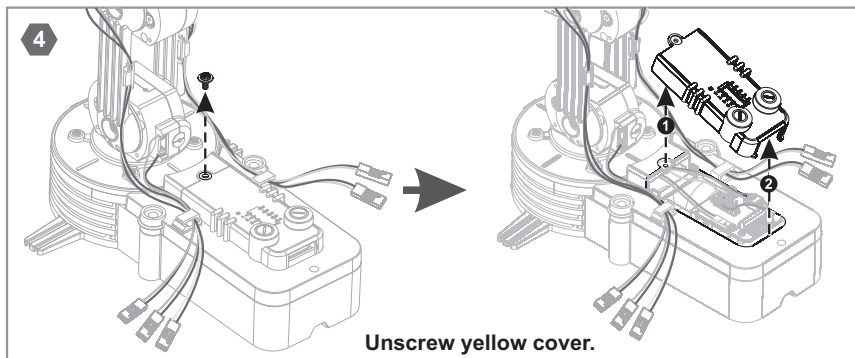


Disconnect the controller.

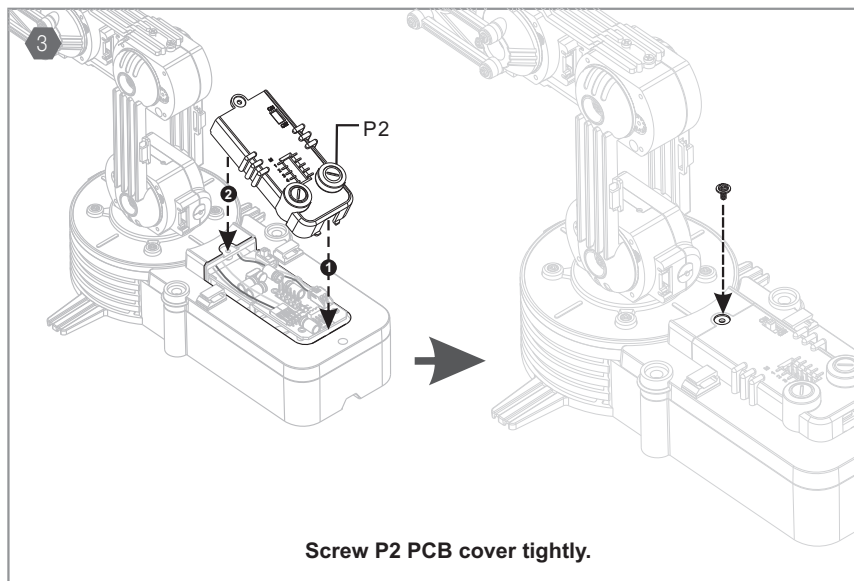
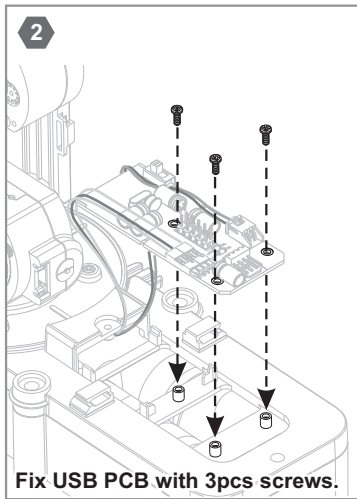
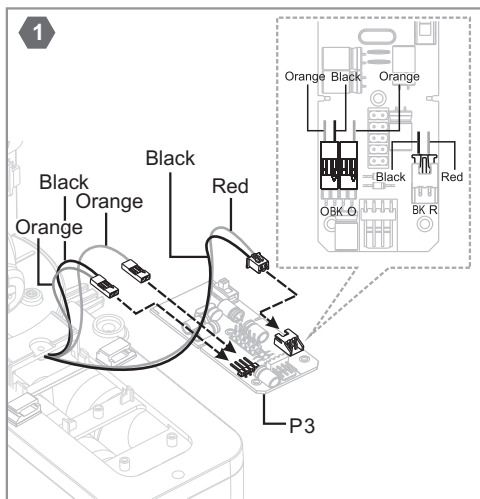
3

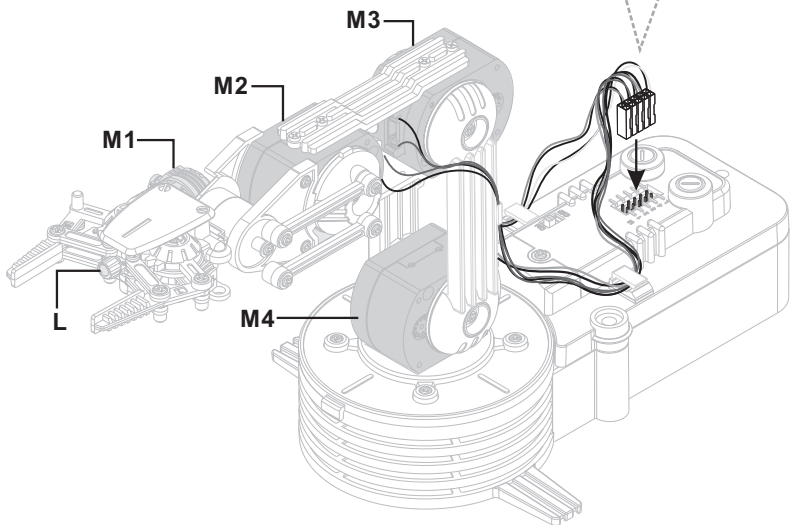
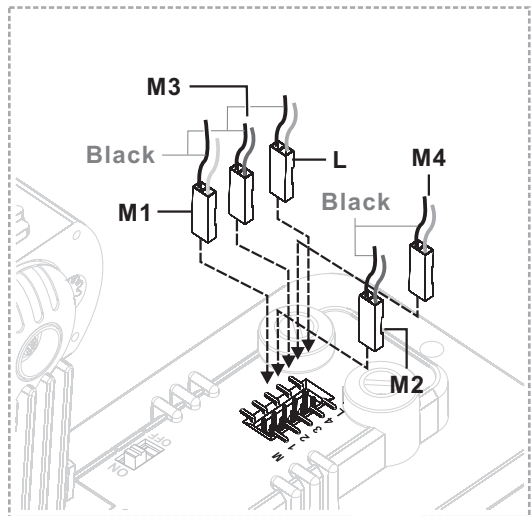


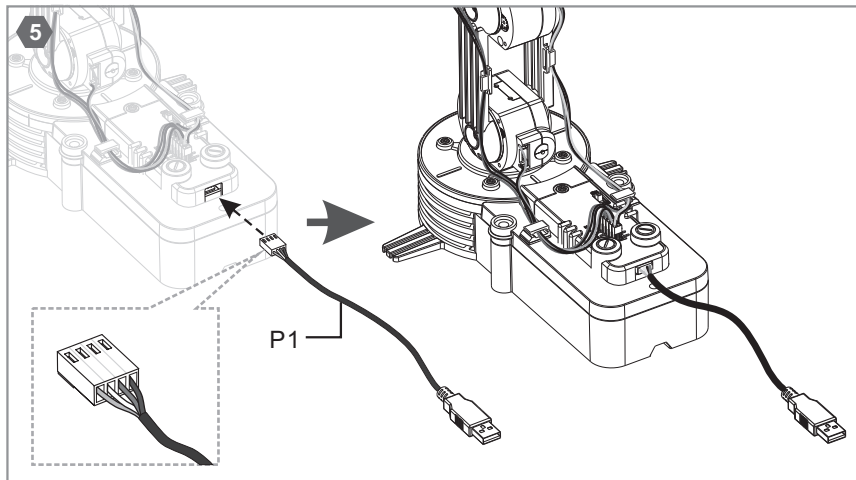
Unplug 5pcs black connectors.



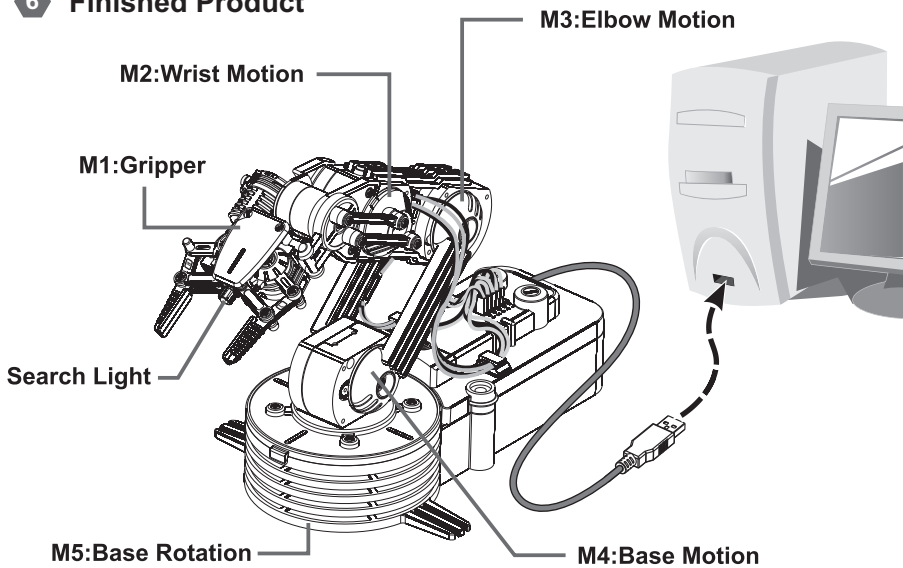
5 Install USB PCB And Cover:







6 Finished Product



*** See operation details from the enclosed CD-R.**

- Note:** 1. All the five gearboxes equipped with safety gear, when the arm open, close, up or lower to the maximum position, and user keeps pushing the buttons, the safety gear will start to work to protect the gearbox and make 'da, da, da...' sound.
2. To extend the life of gearbox, release the buttons once you hear the safety gear emit 'da, da, da' sound.
3. Please download Adobe Acrobat Reader for the Robotic Arm Use's Manual.(www.adobe.com)

CE



 **WARNING :**
CHOKING HAZARD
Small parts
Not for children under
3 years

4350001511D