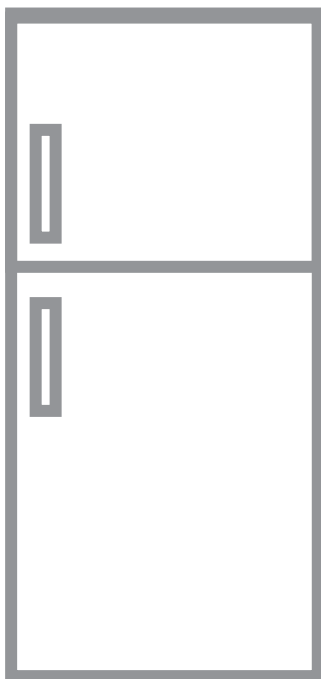


▶ SDB416E1AS

EN	User Manual Fridge Freezer	2
PT	Manual de instruções Combinado	20
ES	Manual de instrucciones Frigorífico-congelador	40

# USER MANUAL



**AEG**

## CONTENTS

1. SAFETY INFORMATION.....	2
2. SAFETY INSTRUCTIONS.....	4
3. INSTALLATION.....	6
4. CONTROL PANEL.....	9
5. DAILY USE.....	10
6. HINTS AND TIPS.....	11
7. CARE AND CLEANING.....	13
8. TROUBLESHOOTING.....	15
9. NOISES.....	18
10. TECHNICAL DATA.....	18
11. INFORMATION FOR TEST INSTITUTES.....	19

## FOR PERFECT RESULTS

Thank you for choosing this AEG product. We have created it to give you impeccable performance for many years, with innovative technologies that help make life simpler – features you might not find on ordinary appliances. Please spend a few minutes reading to get the very best from it.

Visit our website to:



Get usage advice, brochures, trouble shooter, service and repair information:  
**[www.aeg.com/support](http://www.aeg.com/support)**



Register your product for better service:  
**[www.registeraeg.com](http://www.registeraeg.com)**



Buy Accessories, Consumables and Original spare parts for your appliance:  
**[www.aeg.com/shop](http://www.aeg.com/shop)**

## CUSTOMER CARE AND SERVICE

Always use original spare parts.

When contacting our Authorised Service Centre, ensure that you have the following data available: Model, PNC, Serial Number.

The information can be found on the rating plate.

 Warning / Caution-Safety information

 General information and tips

 Environmental information

Subject to change without notice.

### 1. SAFETY INFORMATION

Before the installation and use of the appliance, carefully read the supplied instructions. The manufacturer is not responsible for any injuries or damage that are the result of incorrect installation or usage. Always keep the

instructions in a safe and accessible location for future reference.

## **1.1 Children and vulnerable people safety**

- This appliance can be used by children aged from 8 years and above and persons with reduced physical, sensory or mental capabilities or lack of experience and knowledge if they have been given supervision or instruction concerning the use of the appliance in a safe way and understand the hazards involved.
- Children aged from 3 to 8 years are allowed to load and unload the appliance provided that they have been properly instructed.
- This appliance may be used by persons with very extensive and complex disabilities provided that they have been properly instructed.
- Children of less than 3 years of age should be kept away from the appliance unless continuously supervised.
- Do not let children play with the appliance.
- Children shall not carry out cleaning and user maintenance of the appliance without supervision.
- Keep all packaging away from children and dispose of it appropriately.

## **1.2 General Safety**

- This appliance is intended to be used in household and similar applications such as:
  - Farm houses; staff kitchen areas in shops, offices and other working environments;
  - By clients in hotels, motels, bed and breakfast and other residential type environments.
- To avoid contamination of food respect the following instructions:
  - do not open the door for long periods;
  - clean regularly surfaces that can come in contact with food and accessible drainage systems;

- store raw meat and fish in suitable containers in the refrigerator, so that it is not in contact with or drip onto other food.
- **WARNING:** Keep ventilation openings, in the appliance enclosure or in the built-in structure, clear of obstruction.
- **WARNING:** Do not use mechanical devices or other means to accelerate the defrosting process, other than those recommended by the manufacturer.
- **WARNING:** Do not damage the refrigerant circuit.
- **WARNING:** Do not use electrical appliances inside the food storage compartments of the appliance, unless they are of the type recommended by the manufacturer.
- Do not use water spray and steam to clean the appliance.
- Clean the appliance with a moist soft cloth. Only use neutral detergents. Do not use abrasive products, abrasive cleaning pads, solvents or metal objects.
- When the appliance is empty for long period, switch it off, defrost, clean, dry and leave the door open to prevent mould from developing within the appliance.
- Do not store explosive substances such as aerosol cans with a flammable propellant in this appliance.
- If the supply cord is damaged, it must be replaced by the manufacturer, its Authorised Service Centre or similarly qualified persons in order to avoid a hazard.

## 2. SAFETY INSTRUCTIONS

### 2.1 Installation



**WARNING!**

Only a qualified person must install this appliance.

- Remove all the packaging.
- Do not install or use a damaged appliance.
- Do not use the appliance before installing it in the built-in structure due to safety manner.
- Follow the installation instructions supplied with the appliance.
- Always take care when moving the appliance as it is heavy. Always use safety gloves and enclosed footwear.
- Make sure the air can circulate around the appliance.
- At first installation or after reversing the door wait at least 4 hours before connecting the appliance to the power supply. This is to allow the oil to flow back in the compressor.

- Before carrying out any operations on the appliance (e.g. reversing the door), remove the plug from the power socket.
- Do not install the appliance close to radiators or cookers, ovens or hobs.
- Do not expose the appliance to the rain.
- Do not install the appliance where there is direct sunlight.
- Do not install this appliance in areas that are too humid or too cold.
- When you move the appliance, lift it by the front edge to avoid scratching the floor.
- The appliance contains a bag of desiccant. This is not a toy. This is not food. Please dispose of it immediately.

## 2.2 Electrical connection



**WARNING!**  
Risk of fire and electric shock.



**WARNING!**  
When positioning the appliance, ensure the supply cord is not trapped or damaged.



**WARNING!**  
Do not use multi-plug adapters and extension cables.

- The appliance must be earthed.
- Make sure that the parameters on the rating plate are compatible with the electrical ratings of the mains power supply.
- Always use a correctly installed shockproof socket.
- Make sure not to cause damage to the electrical components (e.g. mains plug, mains cable, compressor). Contact the Authorised Service Centre or an electrician to change the electrical components.
- The mains cable must stay below the level of the mains plug.
- Connect the mains plug to the mains socket only at the end of the installation. Make sure that there is

access to the mains plug after the installation.

- Do not pull the mains cable to disconnect the appliance. Always pull the mains plug.

## 2.3 Use



**WARNING!**  
Risk of injury, burns, electric shock or fire.



The appliance contains flammable gas, isobutane (R600a), a natural gas with a high level of environmental compatibility. Be careful not to cause damage to the refrigerant circuit containing isobutane.

- Do not change the specification of this appliance.
- Do not put electrical appliances (e.g. ice cream makers) in the appliance unless they are stated applicable by the manufacturer.
- If damage occurs to the refrigerant circuit, make sure that there are no flames and sources of ignition in the room. Ventilate the room.
- Do not let hot items to touch the plastic parts of the appliance.
- Do not store flammable gas and liquid in the appliance.
- Do not put flammable products or items that are wet with flammable products in, near or on the appliance.
- Do not touch the compressor or the condenser. They are hot.

## 2.4 Internal lighting



**WARNING!**  
Risk of electric shock.

- Concerning the lamp(s) inside this product and spare part lamps sold separately: These lamps are intended to withstand extreme physical conditions in household appliances, such as temperature, vibration, humidity, or are intended to signal information about the operational status of the appliance. They are not intended to be used in other applications and are not suitable for household room illumination.

## 2.5 Care and cleaning



### **WARNING!**

Risk of injury or damage to the appliance.

- Before maintenance, deactivate the appliance and disconnect the mains plug from the mains socket.
- This appliance contains hydrocarbons in the cooling unit. Only a qualified person must do the maintenance and the recharging of the unit.
- Regularly examine the drain of the appliance and if necessary, clean it. If the drain is blocked, defrosted water collects in the bottom of the appliance.

## 2.6 Service

- To repair the appliance contact the Authorised Service Centre. Use original spare parts only.
- Please note that self-repair or non-professional repair can have safety consequences and might void the guarantee.
- The following spare parts will be available for 7 years after the model has been discontinued: thermostats, temperature sensors, printed circuit boards, light sources, door handles,

door hinges, trays and baskets.

Please note that some of these spare parts are only available to professional repairers, and that not all spare parts are relevant for all models.

- Door gaskets will be available for 10 years after the model has been discontinued.

## 2.7 Disposal



### **WARNING!**

Risk of injury or suffocation.

- Disconnect the appliance from the mains supply.
- Cut off the mains cable and discard it.
- Remove the door to prevent children and pets to be closed inside of the appliance.
- The refrigerant circuit and the insulation materials of this appliance are ozone-friendly.
- The insulation foam contains flammable gas. Contact your municipal authority for information on how to discard the appliance correctly.
- Do not cause damage to the part of the cooling unit that is near the heat exchanger.

# 3. INSTALLATION



### **WARNING!**

Refer to Safety chapters.



### **WARNING!**

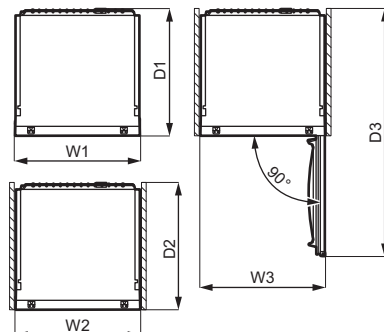
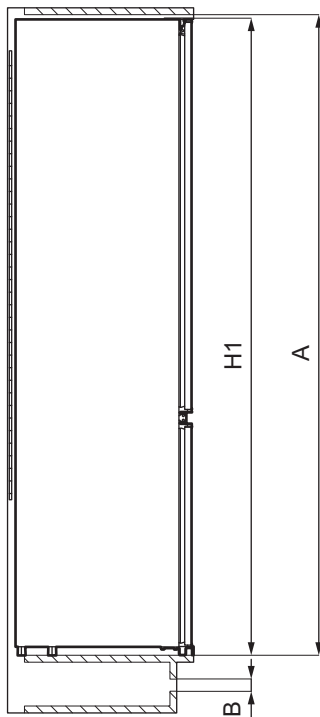
Refer to installation instruction document to install your appliance.



### **WARNING!**

Fix the appliance in accordance with installation instruction document to avoid a risk of instability of the appliance.

### 3.1 Dimensions



Overall dimensions <sup>1</sup>		
H1	mm	1575
W1	mm	548
D1	mm	549

<sup>1</sup> the height, width and depth of the appliance without the handle and feet

Space required in use <sup>2</sup>		
H2 (A+B)	mm	1616
W2	mm	548
D2	mm	551
A	mm	1580
B	mm	36

<sup>2</sup> the height, width and depth of the appliance including the handle, plus the space necessary for free circulation of the cooling air

Overall space required in use <sup>3</sup>		
H3 (A+B)	mm	1616
W3	mm	548
D3	mm	1071




<sup>3</sup> the height, width and depth of the appliance including the handle, plus the space necessary for free circulation of the cooling air, plus the space necessary to allow door opening to the minimum angle permitting removal of all internal equipment

### 3.2 Location

To ensure appliance's best functionality, you should not install the appliance in the nearby of the heat source (oven, stoves, radiators, cookers or hobs) or in a place with direct sunlight. Make sure that air can circulate freely around the back of the cabinet.

This appliance should be installed in a dry, well ventilated indoor position.

This appliance is intended to be used at ambient temperature ranging from 10°C to 43°C.

-  The correct operation of the appliance can only be guaranteed within the specified temperature range.
-  If you have any doubts regarding where to install the appliance, please turn to the vendor, to our customer service or to the nearest Authorised Service Centre.
-  It must be possible to disconnect the appliance from the mains power supply. The plug must therefore be easily accessible after installation.

### 3.3 Electrical connection

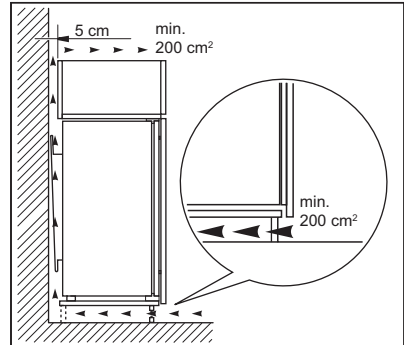
- Before plugging in, ensure that the voltage and frequency shown on the rating plate correspond to your domestic power supply.
- The appliance must be earthed. The power supply cable plug is provided with a contact for this purpose. If the domestic power supply socket is not earthed, connect the appliance to a

separate earth in compliance with current regulations, consulting a qualified electrician.

- The manufacturer declines all responsibility if the above safety precautions are not observed.
- This appliance complies with the E.E.C. Directives.

### 3.4 Ventilation requirements

The airflow behind the appliance must be sufficient.



#### CAUTION!

Refer to the installation instructions for the installation.

### 3.5 Door reversibility

Please refer to the separate document with instructions on installation and door reversal.

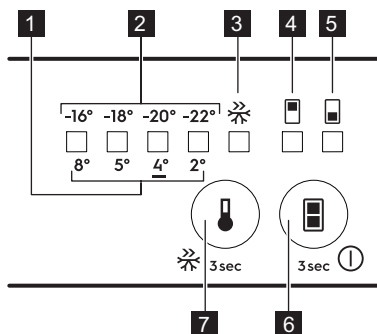


#### CAUTION!

At every stage of reversing the door protect the floor from scratching with a durable material.



## 4. CONTROL PANEL



1. Fridge temperature indicator LED
2. Freezer temperature indicator LED
3. Frostmatic indicator
4. Freezer compartment indicator
5. Fridge compartment indicator
6. ON/OFF button  
Compartment selection button
7. Frostmatic button  
Temperature regulator

### 4.1 Switching on

1. Insert the plug into the wall socket.
2. Touch the ON/OFF button (6) if all LED indicators are off.

### 4.2 Switching off

Keep touching the ON/OFF button (6) for 3 seconds.  
All indicators light off.

### 4.3 Temperature regulation

Before regulating the temperature, it is necessary to select the compartment (fridge or freezer).

The upper or lower cavity is selected by the compartment selection button (6).

To select the freezer compartment touch the compartment selection button (6) until LED corresponding to the upper cavity lights up.

The temperature LED indicator shows the latest set temperature.  
Recommended setting is  $-18^{\circ}\text{C}$ .

To select the fridge compartment touch the compartment selection button (6) until LED corresponding to the lower cavity lights up.

The temperature LED indicator shows the latest set temperature.  
Recommended setting is  $+4^{\circ}\text{C}$ .

To set temperature:

1. Touch temperature regulator button (7).
2. Any time you touch the temperature regulator button (7), the setting moves by one position. When you select a temperature, the LED corresponding to selected temperature value blinks for a while and the setting is fixed.

**i** The set temperature will be reached within 24 hours.  
After a power failure the set temperature remains stored.

### 4.4 Frostmatic function

The Frostmatic function is used to perform pre-freezing and fast freezing in sequence in the freezer compartment. This function accelerates the freezing of fresh food and, at the same time, protects food products already stored in the freezer compartment from undesirable warming.

**i** To freeze fresh food activate the Frostmatic function at least 24 hours before placing the food to complete pre-freezing.

To activate Frostmatic function press the Frostmatic button (7) for 3 seconds. The Frostmatic indicator switches on.

**i** This function stops automatically after 52 hours.

It is possible to deactivate the function at any time by pressing Frostmatic button (7) for 3 seconds again. The Frostmatic indicator switches off.

## 4.5 Door open alarm

If the fridge door is left open for approximately 5 minutes, the fridge compartment indicator flashes and the sound is on.

During the alarm the sound can be muted by pressing any button. The

sound switches off automatically after around one hour to avoid disturbing.

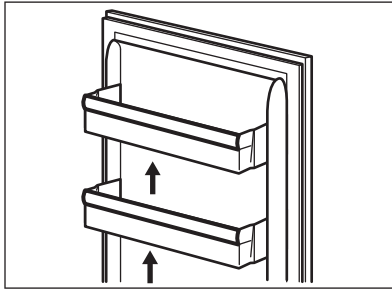
The alarm deactivates after closing the door.

## 5. DAILY USE

### 5.1 Positioning the door shelves

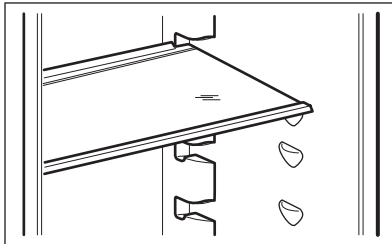
To permit storage of food packages of various sizes, the door shelves can be placed at different heights.

1. Gradually pull the shelf up until it comes free.
2. Reposition as required.



### 5.2 Movable shelves

The walls of the refrigerator are equipped with a series of runners so that the shelves can be positioned as desired.



Do not move the glass shelf above the vegetable drawer to ensure correct air circulation.

### 5.3 Vegetable drawer

There is a special drawer in the bottom part of the appliance suitable for storage of fruits and vegetables.

### 5.4 Freezing fresh food

The freezer compartment is suitable for freezing fresh food and storing frozen and deep-frozen food for a long time.

To freeze fresh food activate the Frostmatic function at least 24 hours before placing the food to be frozen in the freezer compartment.

Store the fresh food evenly distributed in the bottom part of the freezer compartment.

The maximum amount of food that can be frozen without adding other fresh food during 24 hours is specified on the rating plate (a label located inside the appliance).

### 5.5 Storage of frozen food

When activating an appliance for the first time or after a period out of use, before putting the products in the compartment let the appliance run at least 3 hours with the Frostmatic function switched on.

Keep the food no closer than 15 mm from the door.

**CAUTION!**

In the event of accidental defrosting, for example due to a power failure, if the power has been off for longer than the value shown on rating plate under "rising time", the defrosted food must be consumed quickly or cooked immediately then cooled and then re-frozen.

**5.6 Thawing**

Deep-frozen or frozen food, prior to being consumed, can be thawed in the refrigerator or inside a plastic bag under cold water.

**6. HINTS AND TIPS****6.1 Hints for energy saving**

- Freezer: The internal configuration of the appliance is the one that ensures the most efficient use of energy.
- Fridge: Most efficient use of energy is ensured in the configuration with the drawers in the bottom part of the appliance and shelves evenly distributed. Position of the door bins does not affect energy consumption.
- Do not open the door frequently or leave it open longer than necessary.
- Freezer: The colder the temperature setting, the higher the energy consumption.
- Fridge: Do not set too high temperature to save energy unless it is required by the characteristics of the food.
- If the ambient temperature is high and the temperature control is set to low temperature and the appliance is fully loaded, the compressor may run continuously, causing frost or ice formation on the evaporator. In this case, set the temperature control toward higher temperature to allow automatic defrosting and to save energy this way.
- Ensure a good ventilation. Do not cover the ventilation grilles or holes.

This operation depends on the time available and on the type of food. Small pieces may even be cooked still frozen.

**5.7 Ice-cube production**

This appliance is equipped with one or more trays for the production of ice-cubes.



Do not use metallic instruments to remove the trays from the freezer.

1. Fill these trays with water.
2. Put the ice trays in the freezer compartment.


**6.2 Hints for freezing**

- Activate Frostmatic function at least 24 hours before placing the food inside the freezer compartment.
- Before freezing wrap and seal fresh food in: aluminium foil, plastic film or bags, airtight containers with lid.
- For more efficient freezing and thawing divide food into small portions.
- It is recommended to put labels and dates on all your frozen food. This will help to identify foods and to know when they should be used before their deterioration.
- The food should be fresh when being frozen to preserve good quality. Especially fruits and vegetables should be frozen after the harvest to preserve all of their nutrients.
- Do not freeze bottles or cans with liquids, in particular drinks containing carbon dioxide - they may explode during freezing.
- Do not put hot food in the freezer compartment. Cool it down at room temperature before placing it inside the compartment.
- To avoid increase in temperature of already frozen food, do not place fresh unfrozen food directly next to it. Place food at room temperature in the

part of the freezer compartment where there is no frozen food.

- Do not eat ice cubes, water ices or ice lollies immediately after taking them out of the freezer. Risk of frostbites.
- Do not re-freeze defrosted food. If the food has defrosted, cook it, cool it down and then freeze it.

### 6.3 Hints for storage of frozen food

- Freezer compartment is the one marked with .
- Higher temperature setting inside the appliance may lead to shorter shelf life.
- The whole freezer compartment is suitable for storage of frozen food products.
- Leave enough space around the food to allow air to circulate freely.
- For adequate storage refer to food packaging label to see the shelf life of food.

- It is important to wrap the food in such a way that prevents water, humidity or condensation from getting inside.

### 6.4 Shopping tips

After grocery shopping:

- Ensure that the packaging is not damaged - the food could be deteriorated. If the package is swollen or wet, it might have not been stored in the optimal conditions and defrosting may have already started.
- To limit the defrosting process buy frozen goods at the end of your grocery shopping and transport them in a thermal and insulated cool bag.
- Place the frozen foods immediately in the freezer after coming back from the shop.
- If food has defrosted even partially, do not re-freeze it. Consume it as soon as possible.
- Respect the expiry date and the storage information on the package.

### 6.5 Shelf life for freezer compartment


Type of food	Shelf life (months)
Bread	3
Fruits (except citrus)	6 - 12
Vegetables	8 - 10
Leftovers without meat	1 - 2
<b>Dairy food:</b>	
Butter	6 - 9
Soft cheese (e.g. mozzarella)	3 - 4
Hard cheese (e.g. parmesan, cheddar)	6
<b>Seafood:</b>	
Fatty fish (e.g. salmon, mackerel)	2 - 3
Lean fish (e.g. cod, flounder)	4 - 6
Shrimps	12
Shucked clams and mussels	3 - 4
Cooked fish	1 - 2
<b>Meat:</b>	

Type of food	Shelf life (months)
Poultry	9 - 12
Beef	6 - 12
Pork	4 - 6
Lamb	6 - 9
Sausage	1 - 2
Ham	1 - 2
Leftovers with meat	2 - 3

## 6.6 Hints for fresh food refrigeration

- Higher temperature setting inside the appliance may lead to shorter shelf life of food.
- Cover the food with packaging to preserve its freshness and aroma.
- Always use closed containers for liquids and for food, to avoid flavours or odours in the compartment.
- To avoid the cross-contamination between cooked and raw food, cover the cooked food and separate it from the raw one.
- It is recommended to defrost the food inside the fridge.
- Do not insert hot food inside the appliance. Make sure it has cooled down at room temperature before inserting it.
- To prevent food waste the new stock of food should always be placed behind the old one.
- Meat (all types): wrap in a suitable packaging and place it on the glass shelf above the vegetable drawer. Store meat for at most 1-2 days.
- Fruit and vegetables: clean thoroughly (eliminate the soil) and place in a special drawer (vegetable drawer).
- It is advisable not to keep the exotic fruits like bananas, mangos, papayas etc. in the refrigerator.
- Vegetables like tomatoes, potatoes, onions, and garlic should not be kept in the refrigerator.
- Butter and cheese: place in an airtight container or wrap in an aluminium foil or a polythene bag to exclude as much air as possible.
- Bottles: close them with a cap and place them on the door bottle shelf, or (if available) on the bottle rack.
- Always refer to the expiry date of the products to know how long to keep them.

## 6.7 Hints for food refrigeration

- Fresh food compartment is the one marked (on the rating plate) with .

# 7. CARE AND CLEANING



**WARNING!**  
Refer to Safety chapters.

## 7.1 Cleaning the interior

Before using the appliance for the first time, the interior and all internal accessories should be washed with lukewarm water and some neutral soap

to remove the typical smell of a brand-new product, then dried thoroughly.



**CAUTION!**  
Do not use detergents, abrasive powders, chlorine or oil-based cleaners as they will damage the finish.

**CAUTION!**

The accessories and parts of the appliance are not suitable for washing in a dishwasher.

## 7.2 Periodic cleaning

The equipment has to be cleaned regularly:

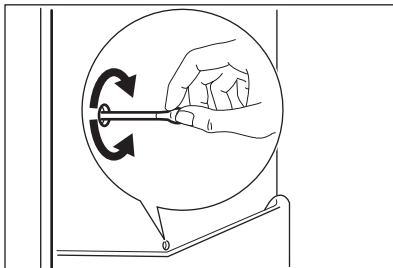
1. Clean the inside and accessories with lukewarm water and some neutral soap.
2. Regularly check the door seals and wipe them clean to ensure they are clean and free from debris.
3. Rinse and dry thoroughly.

## 7.3 Defrosting of the refrigerator

Frost is automatically eliminated from the evaporator of the refrigerator compartment during normal use. The defrost water drains out through a trough into a special container at the back of the appliance, over the motor compressor, where it evaporates.

It is important to periodically clean the defrost water drain hole in the middle of the refrigerator compartment channel to prevent the water overflowing and dripping onto the food inside.

For this purpose use the tube cleaner provided with the appliance.



## 7.4 Defrosting of the freezer

**CAUTION!**

Never use sharp metal tools to scrape off frost from the evaporator as you could damage it.

Do not use a mechanical device or any artificial means to speed up the thawing process other than those recommended by the manufacturer.



About 12 hours prior to defrosting set a lower temperature in order to build up sufficient chill reserve in case of any interruption in operation.

A certain amount of frost will always form on the freezer shelves and around the top compartment.

Defrost the freezer when the frost layer reaches a thickness of about 3-5 mm.

1. Switch off the appliance or pull out electrical plug from the wall socket.
2. Remove any stored food and put it in a cool place.

**CAUTION!**

A temperature rise of the frozen food packs during defrosting may shorten their safe storage life. Do not touch frozen goods with wet hands. Hands can freeze to the goods.

3. Leave the door open. Protect the floor from the defrosting water e.g. with a cloth or a flat vessel.
4. In order to speed up the defrosting process, place a pot of warm water in the freezer compartment. In addition, remove pieces of ice that break away before defrosting is complete. Use the supplied ice scraper for this purpose.
5. When defrosting is complete, dry the interior thoroughly. Keep the ice scraper for the future use.
6. Switch on the appliance and close the door.

- Set the temperature regulator to obtain the maximum coldness and run the appliance for at least 3 hours using this setting.

Only after this time put the food back into the freezer compartment.

## 7.5 Period of non-operation

When the appliance is not in use for long period, take the following precautions:

- Disconnect the appliance from electricity supply.
- Remove all food.
- Defrost the appliance.
- Clean the appliance and all accessories.
- Leave the doors open to prevent unpleasant smells.

# 8. TROUBLESHOOTING



### WARNING!

Refer to Safety chapters.

## 8.1 What to do if...

Problem	Possible cause	Solution
The appliance does not operate.	The appliance is switched off.	Switch on the appliance.
	The mains plug is not connected to the mains socket correctly.	Connect the mains plug to the mains socket correctly.
	There is no voltage in the mains socket.	Connect a different electrical appliance to the mains socket. Contact a qualified electrician.
The appliance is noisy.	The appliance is not supported properly.	Check if the appliance stands stable.
Acoustic or visual alarm is on.	The cabinet has been recently switched on.	Refer to "Door Open Alarm" or "High Temperature Alarm".
	The temperature in the appliance is too high.	Refer to "Door Open Alarm" or "High Temperature Alarm".
	The door is left open.	Close the door.
The compressor operates continually.	Temperature is set incorrectly.	Refer to "Control Panel" chapter.
	Many food products were put in at the same time.	Wait a few hours and then check the temperature again.
	The room temperature is too high.	Refer to "Installation" chapter.

<b>Problem</b>	<b>Possible cause</b>	<b>Solution</b>
	Food products placed in the appliance were too warm.	Allow food products to cool to room temperature before storing.
	The door is not closed correctly.	Refer to "Closing the door" section.
	The Frostmatic function is switched on.	Refer to "Frostmatic function" section.
The compressor does not start immediately after pressing the "Frostmatic", or after changing the temperature.	The compressor starts after a period of time.	This is normal, no error has occurred.
Door is misaligned or interferes with ventilation grill.	The appliance is not levelled.	Refer to installation instructions.
Door does not open easily.	You attempted to re-open the door immediately after closing.	Wait a few seconds between closing and re-opening of the door.
The lamp does not work.	The lamp is in stand-by mode.	Close and open the door.
	The lamp is defective.	Contact the nearest Authorized Service Centre.
There is too much frost and ice.	The door is not closed correctly.	Refer to "Closing the door" section.
	The gasket is deformed or dirty.	Refer to "Closing the door" section.
	Food products are not wrapped properly.	Wrap the food products better.
	Temperature is set incorrectly.	Refer to "Control Panel" chapter.
	Appliance is fully loaded and is set to the lowest temperature.	Set a higher temperature. Refer to "Control Panel" chapter.
	Temperature set in the appliance is too low and the ambient temperature is too high.	Set a higher temperature. Refer to "Control Panel" chapter.
Water flows on the rear plate of the refrigerator.	During the automatic defrosting process, frost melts on the rear plate.	This is correct.



<b>Problem</b>	<b>Possible cause</b>	<b>Solution</b>
There is too much condensed water on the rear wall of the refrigerator.	Door was opened too frequently.	Open the door only when necessary.
	Door was not closed completely.	Make sure the door is closed completely.
	Stored food was not wrapped.	Wrap food in suitable packaging before storing it in the appliance.
Water flows inside the refrigerator.	Food products prevent the water from flowing into the water collector.	Make sure that food products do not touch the rear plate.
	The water outlet is clogged.	Clean the water outlet.
Water flows on the floor.	The melting water outlet is not connected to the evaporative tray above the compressor.	Attach the melting water outlet to the evaporative tray.
Temperature cannot be set.	The "Frostmatic function" is switched on.	Switch off "Frostmatic function" manually, or wait until the function deactivates automatically to set the temperature. Refer to "Frostmatic function" section.
The temperature in the appliance is too low/too high.	The temperature is not set correctly.	Set a higher/lower temperature.
	The door is not closed correctly.	Refer to "Closing the door" section.
	The food products' temperature is too high.	Let the food products temperature decrease to room temperature before storage.
	Many food products are stored at the same time.	Store less food products at the same time.
	The thickness of the frost is greater than 4-5 mm.	Defrost the appliance.
	The door has been opened often.	Open the door only if necessary.
	The Frostmatic function is switched on.	Refer to "Frostmatic function" section.

- i** If the advice does not lead to the desired result, call the nearest Authorized Service Centre.

## 8.2 Replacing the lamp

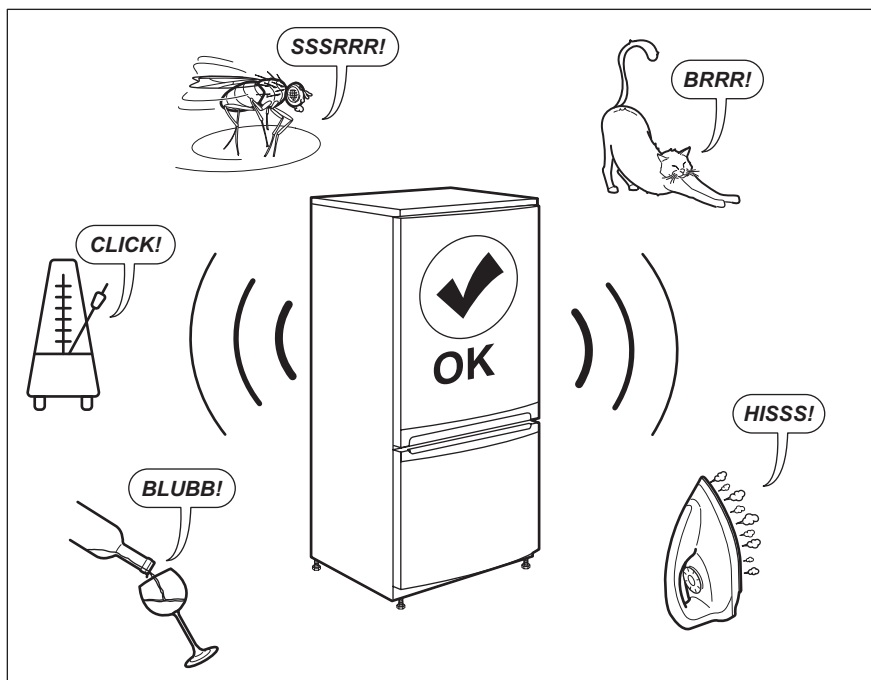
The appliance is equipped with a longlife LED interior light.

Only service is allowed to replace the lighting device. Contact your Authorised Service Centre.

## 8.3 Closing the door

1. Clean the door gaskets.
2. If necessary, adjust the door. Refer to installation instructions.
3. If necessary, replace the defective door gaskets. Contact the Authorised Service Centre.

## 9. NOISES



## 10. TECHNICAL DATA

The technical information is situated in the rating plate on the internal side of the appliance and on the energy label.

The QR code on the energy label supplied with the appliance provides a web link to the information related to the performance of the appliance in the EU EPREL database.

Keep the energy label for reference together with the user manual and all other documents provided with this appliance.

It is also possible to find the same information in EPREL using the link <https://eprel.ec.europa.eu> and the model name and product number that you find on the rating plate of the appliance.


See the link [www.theenergylabel.eu](http://www.theenergylabel.eu) for detailed information about the energy label.


## 11. INFORMATION FOR TEST INSTITUTES

Installation and preparation of the appliance for any EcoDesign verification shall be compliant with EN 62552. Ventilation requirements, recess dimensions and minimum rear

clearances shall be as stated in this User Manual at Chapter 3. Please contact the manufacturer for any other further information, including loading plans.

## 12. ENVIRONMENTAL CONCERNS

Recycle materials with the symbol . Put the packaging in relevant containers to recycle it. Help protect the environment and human health by recycling waste of electrical and electronic appliances. Do not dispose of

appliances marked with the symbol  with the household waste. Return the product to your local recycling facility or contact your municipal office.

# ÍNDICE

1. INFORMAÇÕES DE SEGURANÇA.....	20
2. INSTRUÇÕES DE SEGURANÇA.....	23
3. INSTALAÇÃO.....	25
4. PAINEL DE CONTROLO.....	28
5. UTILIZAÇÃO DIÁRIA.....	29
6. SUGESTÕES E DICAS.....	30
7. MANUTENÇÃO E LIMPEZA.....	33
8. RESOLUÇÃO DE PROBLEMAS.....	35
9. RUÍDOS.....	38
10. INFORMAÇÃO TÉCNICA.....	38
11. INFORMAÇÃO PARA TESTES.....	39

## PARA RESULTADOS PERFEITOS

Obrigado por escolher este produto AEG. Criámo-lo para lhe proporcionar um desempenho impecável durante muitos anos, com tecnologias inovadoras que tornam a sua vida mais fácil – funcionalidades que poderá não encontrar em aparelhos comuns. Continue a ler durante alguns minutos para tirar o máximo partido do produto.

Visite o nosso website para:



Obter conselhos de utilização, folhetos, resolução de problemas e informações sobre assistência e reparações:

**[www.aeg.com/support](http://www.aeg.com/support)**



Registe o seu produto para beneficiar de um serviço melhor:

**[www.registeraeg.com](http://www.registeraeg.com)**



Adquira acessórios, consumíveis e peças de substituição originais para o seu aparelho:

**[www.aeg.com/shop](http://www.aeg.com/shop)**


## APOIO AO CLIENTE E ASSISTÊNCIA

Usar sempre peças sobressalentes de origem.

Sempre que contactar o nosso Centro de Assistência Técnica Autorizado, assegure que tem disponíveis os dados seguintes: Modelo, PNC, Número de série.

Esta informação encontra-se na placa de identificação.

 Aviso/Cuidado – Informações de segurança

 Informações gerais e sugestões

 Informações ambientais

Sujeito a alterações sem aviso prévio.

### 1. INFORMAÇÕES DE SEGURANÇA

Leia atentamente as instruções fornecidas antes de instalar e utilizar o aparelho. O fabricante não poderá

ser responsabilizado por ferimentos ou danos resultantes de instalação incorreta ou utilização incorreta. Guarde sempre as instruções num sítio seguro e acessível para consultar no futuro.

## **1.1 Segurança de crianças e pessoas vulneráveis**

- Este aparelho pode ser utilizado por crianças com 8 anos de idade ou mais velhas e por pessoas com capacidades físicas, sensoriais ou mentais reduzidas ou falta de experiência e conhecimento se forem supervisionadas ou instruídas no que respeita à utilização do aparelho de uma forma segura e compreenderem os perigos envolvidos.
- É permitida a carga e a descarga do aparelho por crianças entre 3 e 8 anos de idade, desde que tenham sido instruídas corretamente.
- Este aparelho pode ser utilizado por pessoas com incapacidades muito extensas e complexas, desde que tenham sido instruídas corretamente.
- É necessário manter as crianças com menos de 3 anos de idade afastadas do aparelho, a menos que sejam constantemente vigiadas.
- Não permita que as crianças brinquem com o aparelho.
- A limpeza e a manutenção básica do aparelho não devem ser efetuadas por crianças sem supervisão.
- Mantenha todos os materiais de embalagem fora do alcance das crianças e elimine-os de forma apropriada.

## **1.2 Segurança geral**

- Este aparelho destina-se exclusivamente a utilizações domésticas ou semelhantes, tais como:
  - turismo rural; áreas de cozinha destinadas ao pessoal em lojas, escritórios e outros ambientes de trabalho;

- utilização por clientes de hotéis, motéis e outros ambientes do tipo residencial.
- Para evitar a contaminação dos alimentos, siga as instruções que se seguem:
  - não abra a porta durante longos períodos;
  - limpe regularmente superfícies que possam entrar em contacto com alimentos e sistemas de drenagem acessíveis;
  - guarde a carne e o peixe crus em recipientes adequados no frigorífico, para que não entrem em contacto ou pinguem sobre outros alimentos.
- AVISO: Mantenha desobstruídas as aberturas de ventilação do aparelho ou da estrutura onde ele se encontra encastrado.
- AVISO: Não utilize um dispositivo mecânico ou qualquer meio artificial para acelerar o processo de descongelação além daqueles recomendados pelo fabricante.
- AVISO: Não danifique o circuito de refrigeração.
- AVISO: Não utilize aparelhos eléctricos dentro dos compartimentos do aparelho destinados a alimentos, a não ser que sejam do tipo recomendado pelo fabricante.
- Não utilize jatos de água ou vapor para limpar o aparelho.
- Limpe o aparelho com um pano macio húmido. Utilize apenas detergentes neutros. Não utilize produtos abrasivos, esfregões, solventes ou objetos metálicos.
- Quando o aparelho estiver vazio durante um longo período, desligue-o, descongele, limpe, seque e deixe a porta aberta para prevenir o desenvolvimento de bolor no interior do aparelho.
- Não guarde substâncias explosivas, como latas de aerossóis com agente de pressão inflamável, dentro do aparelho.
- Se o cabo de alimentação estiver danificado, deve ser substituído pelo fabricante, por um agente de

assistência autorizado ou por uma pessoa igualmente qualificada, para evitar perigos.

## 2. INSTRUÇÕES DE SEGURANÇA

### 2.1 Instalação



#### **AVISO!**

A instalação deste aparelho tem de ser efetuada por uma pessoa qualificada.

- Retire a embalagem toda.
- Não instale nem utilize o aparelho se estiver danificado.
- Não utilize o aparelho antes de o instalar na estrutura embutida de uma forma segura.
- Siga as instruções de instalação fornecidas com o aparelho.
- Tenha sempre cuidado quando deslocar o aparelho porque ele é pesado. Utilize sempre luvas de proteção e calçado fechado.
- Certifique-se de que o ar pode circular em torno do aparelho.
- Após a instalação ou após uma inversão da porta, aguarde pelo menos 4 horas antes de ligar o aparelho à alimentação elétrica. Isto permite que o óleo regresse ao compressor.
- Antes de efetuar qualquer operação no aparelho (por exemplo, inverter a porta), retire a ficha da tomada elétrica.
- Não instale o aparelho perto de radiadores, fogões, fornos ou placas.
- Não exponha o aparelho a chuva.
- Não instale o aparelho em locais com luz solar direta.
- Não instale este aparelho em locais demasiado húmidos ou frios.
- Quando deslocar o aparelho, eleve-o na parte da frente para evitar riscar o chão.
- O aparelho contém um saco de dessecador. Não é um brinquedo. Não é um alimento. Deite-o fora imediatamente.

### 2.2 Ligação elétrica



#### **AVISO!**

Risco de incêndio e choque elétrico.



#### **AVISO!**

Quando colocar o aparelho na posição definitiva, certifique-se de que o cabo de alimentação não fica entalado ou danificado.



#### **AVISO!**

Não utilize adaptadores com várias tomadas, nem cabos de extensão.

- O aparelho tem de ficar ligado à terra.
- Certifique-se de que os parâmetros indicados na placa de características são compatíveis com as características da alimentação eléctrica.
- Utilize sempre uma tomada devidamente instalada e à prova de choques eléctricos.
- Certifique-se de que não danifica os componentes eléctricos (ficha e cabo de alimentação eléctrica, compressor, etc.). Contacte um Centro de Assistência Técnica Autorizado ou um electricista se for necessário substituir componentes eléctricos.
- O cabo de alimentação deve ficar abaixo do nível da ficha.
- Ligue a ficha à tomada eléctrica apenas no final da instalação. Certifique-se de que a ficha fica acessível após a instalação.
- Não puxe o cabo de alimentação para desligar o aparelho. Puxe sempre a ficha.

## 2.3 Utilização



### AVISO!

Risco de ferimentos, queimaduras, choque elétrico ou incêndio.



O aparelho contém gás inflamável, isobutano (R600a), que é um gás natural com um alto nível de compatibilidade ambiental. Tenha cuidado para não provocar danos no circuito de refrigeração que contém isobutano.

- Não altere as especificações deste aparelho.
- Não coloque dispositivos elétricos (por ex. máquinas de fazer gelados) no interior do aparelho, exceto se forem autorizados pelo fabricante.
- Se ocorrerem danos no circuito de refrigeração, certifique-se de que não existem chamas e fontes de ignição na divisão. Ventile bem a divisão.
- Não permita que objetos quentes toquem nas peças de plástico do aparelho.
- Não guarde gases e líquidos inflamáveis no aparelho.
- Não coloque produtos inflamáveis, ou objetos molhados com produtos inflamáveis, no interior, perto ou em cima do aparelho.
- Não toque no compressor ou no condensador. Estão quentes.

## 2.4 Iluminação interna



### AVISO!

Risco de choque elétrico.

- Relativamente à(s) lâmpada(s) no interior deste produto e às lâmpadas sobressalentes vendidas separadamente: Estas lâmpadas destinam-se a suportar condições físicas extremas em eletrodomésticos, tais como temperatura, vibração, humidade, ou destinam-se a sinalizar informação relativamente ao estado operacional do aparelho. Não se destinam a ser utilizadas em outras aplicações e não

se adequam à iluminação de espaços domésticos.

## 2.5 Manutenção e limpeza



### AVISO!

Risco de ferimentos ou danos no aparelho.

- Antes de qualquer acção de manutenção, desactive o aparelho e desligue a ficha da tomada eléctrica.
- Este aparelho contém hidrocarbonetos na sua unidade de arrefecimento A manutenção e o recarregamento só devem ser efectuados por uma pessoa qualificada.
- Inspeccione regularmente o escoamento do aparelho e limpe-o, se necessário. Se o orifício de escoamento estiver bloqueado, a água descongelada fica acumulada na parte inferior do aparelho.

## 2.6 Assistência Técnica

- Contacte o Centro de Assistência Técnica Autorizado se for necessário reparar o aparelho. Utilize apenas peças de substituição originais.
- Note que uma reparação própria ou não profissional pode ter consequências para a segurança e anular a garantia.
- As peças sobressalentes estarão disponíveis durante 7 anos após o modelo ter sido descontinuado: termóstatos, sensores de temperatura, placas de circuito impresso, fontes de iluminação, puxadores de portas, dobradiças de portas, tabuleiros e cestos. Note que algumas destas peças de reposição só estão disponíveis para reparadores profissionais e que nem todas as peças de reposição são relevantes para todos os modelos.
- As juntas das portas estarão disponíveis durante 10 anos após a descontinuação do modelo.



## 2.7 Eliminação

**AVISO!**

Risco de ferimentos ou asfixia.

- Desligue o aparelho da alimentação eléctrica.
- Corte o cabo de alimentação eléctrica e elimine-o.
- Remova a porta para evitar que crianças ou animais de estimação fiquem fechados no interior do aparelho.

- O circuito de refrigeração e os materiais de isolamento deste aparelho não prejudicam a camada de ozono.
- A espuma de isolamento contém gás inflamável. Contacte a sua autoridade municipal para saber como eliminar o aparelho correctamente.
- Não provoque danos na parte da unidade de arrefecimento que está próxima do permutador de calor.

## 3. INSTALAÇÃO

**AVISO!**

Consulte os capítulos relativos à segurança.

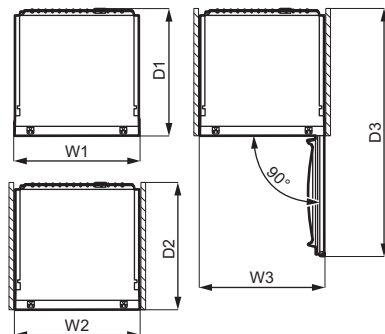
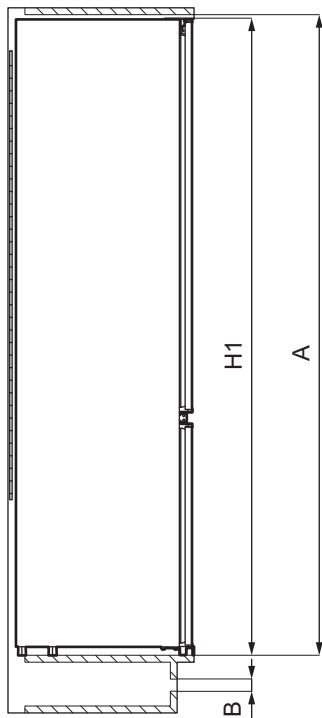
**AVISO!**

Consulte o documento de instruções de instalação para instalar o seu aparelho.

**AVISO!**

Fixe o aparelho de acordo com o documento de instruções de instalação para evitar um risco de instabilidade do aparelho.

### 3.1 Dimensões



Dimensões gerais <sup>1</sup>		
H1	mm	1575
W1	mm	548
D1	mm	549

<sup>1</sup> a altura, largura e profundidade do aparelho sem puxador e pés

Espaço necessário em utilização <sup>2</sup>		
H2 (A+B)	mm	1616
W2	mm	548
D2	mm	551
A	mm	1580
B	mm	36

<sup>2</sup> a altura, largura e profundidade do aparelho incluindo o puxador, mais o espaço necessário para a livre circulação do ar de arrefecimento

Espaço geral necessário em utilização <sup>3</sup>		
H3 (A+B)	mm	1616
W3	mm	548
D3	mm	1071




<sup>3</sup> a altura, largura e profundidade do aparelho incluindo o puxador, mais o espaço necessário para a livre circulação do ar de arrefecimento, mais o espaço necessário para permitir a abertura da porta no ângulo mínimo que permita a remoção de todo o equipamento do interior

### 3.2 Localização

Para garantir a melhor funcionalidade do aparelho, não deverá instalar o aparelho nas proximidades de uma fonte de calor (forno, salamandras, radiadores, fogões ou placas) ou num local com luz direta do sol. Certifique-se de que o ar pode circular livremente na parte posterior do armário.

Este aparelho deve ser instalado numa de interior, seca e bem ventilada

Este aparelho destina-se a ser utilizado no intervalo de temperatura ambiente de 10°C a 43°C.

-  O funcionamento correto do aparelho só pode ser garantido no intervalo de temperaturas indicado.
-  Se tiver dúvidas em relação ao local onde deve instalar o aparelho, contacte o vendedor, o nosso serviço de apoio ao cliente ou o Centro de Assistência Técnica Autorizado mais próximo.
-  Tem de ser possível desligar o aparelho da fonte de corrente eléctrica. A ficha tem de estar facilmente acessível após a instalação.

### 3.3 Ligação eléctrica

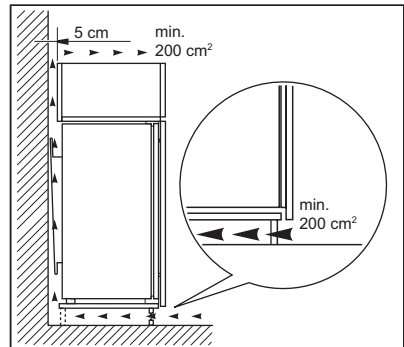
- Antes de ligar a ficha na tomada, certifique-se de que a voltagem e a frequência indicadas na placa de características correspondem à rede eléctrica da sua casa.
- O aparelho tem de ficar ligado à terra. A ficha do cabo de alimentação é fornecida com um contacto para esse fim. Se a tomada eléctrica doméstica não estiver ligada à terra, ligue o

aparelho a uma ligação à terra separada que cumpra as normas actuais; consulte um electricista qualificado.

- O fabricante declina toda a responsabilidade caso as precauções de segurança acima não sejam cumpridas.
- Este aparelho está em conformidade com as Directivas da C.E.E.

### 3.4 Requisitos de ventilação

O fluxo de ar atrás do aparelho deve ser suficiente.



#### **CUIDADO!**

Consulte as instruções de instalação para efetuar a instalação.

### 3.5 Reversibilidade das portas

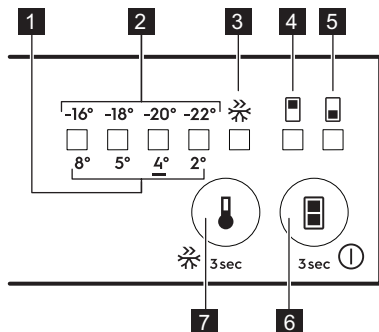
Consulte o documento avulso com instruções sobre a instalação e reversibilidade da porta.



#### **CUIDADO!**

Em qualquer etapa de reversão da porta, proteja o pavimento de riscos com um material durável.

## 4. PAINEL DE CONTROLO



1. LED indicador de temperatura do frigorífico
2. LED indicador da temperatura do congelador
3. Indicador Frostmatic
4. Indicador do compartimento do congelador
5. Indicador do compartimento do frigorífico
6. Botão LIGAR/DESLIGAR  
Botão para selecionar o compartimento
7. Botão Frostmatic  
Regulador da temperatura

### 4.1 Como ligar

1. Inserir a ficha na tomada elétrica.
2. Se todos os indicadores LED estiverem apagados, tocar no botão LIGAR/DESLIGAR (6).

### 4.2 Desligar

Manter premido o botão LIGAR/DESLIGAR (6) durante 3 segundos. Apaga todas as luzes de indicação.

### 4.3 Como definir a temperatura

Antes de definir a temperatura, é necessário selecionar o compartimento (frigorífico ou congelador).

A cavidade superior ou inferior é selecionada com o botão de seleção do compartimento (6).

Para selecionar o compartimento do congelador, tocar no botão de seleção do compartimento (6) até acender LED correspondente à cavidade superior.

O indicador LED da temperatura mostra a última temperatura definida. A definição recomendada é  $-18^{\circ}\text{C}$ .

Para selecionar o compartimento do frigorífico, tocar no botão de seleção do compartimento (6) até acender LED correspondente à cavidade inferior.

O indicador LED da temperatura mostra a última temperatura definida. A definição recomendada é  $+4^{\circ}\text{C}$ .

Como definir a temperatura:

1. Botão de toque para definir a temperatura (7).

O indicador da temperatura atual pisca.

2. Sempre que tocar no regulador da temperatura (7), a definição avança uma posição. Quando selecionar uma temperatura, a função LED correspondente ao valor da temperatura selecionada pisca durante algum tempo e a definição fica fixa.



A temperatura selecionada vai ser alcançada dentro de 24 horas. Depois de um corte de energia, a temperatura selecionada permanece memorizada.

### 4.4 Frostmatic função

A função Frostmatic é usada para fazer a pré-congelação e congelação rápida sequencial no compartimento do congelador. Esta função acelera a congelação de alimentos frescos ao mesmo tempo que protege alimentos já guardados no compartimento do congelador para não aquecerem.



Para congelar alimentos frescos, esta função Frostmatic deve ser ativada pelo menos 24 horas antes de colocar os alimentos na pré-congelação.

Premir Frostmatic o botão Frostmatic (7) durante 3 segundos para ativar a função. O indicador Frostmatic acende.

**i** Esta função para automaticamente após 52 horas.

Premir o botão Frostmatic (7) durante 3 segundos outra vez para poder desativar esta função em qualquer altura. O indicador Frostmatic apaga.

## 4.5 Alarme de porta aberta

Se a porta do frigorífico ficar aberta durante cerca de 5 minutos, o indicador

do compartimento do frigorífico fica intermitente e o aparelho emite um som.

Durante o alarme, premir qualquer botão para silenciar o som. O som desliga-se automaticamente depois de cerca de uma hora para evitar incomodar.

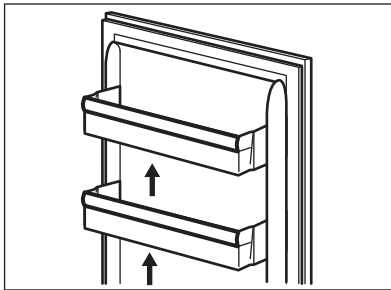
O alarme é desativado depois de a porta ser fechada

# 5. UTILIZAÇÃO DIÁRIA

## 5.1 Posicionar as prateleiras da porta

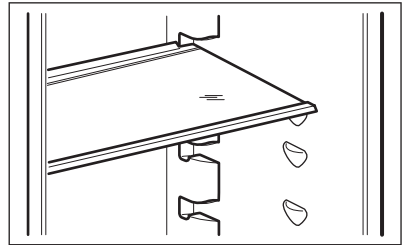
Para permitir a arrumação de embalagens de alimentos de diversos tamanhos, as prateleiras da porta podem ser colocadas a alturas diferentes.

1. Puxar gradualmente a prateleira para cima até sair.
2. Reposicionar como pretender.



## 5.2 Prateleiras amovíveis

As paredes do frigorífico possuem várias calhas que permitem posicionar as prateleiras conforme pretendido.



**i** Não desloque a prateleira de vidro que cobre a gaveta de legumes, para garantir uma circulação de ar correcta.

## 5.3 Gaveta para legumes

Existe uma gaveta especial na parte inferior do aparelho adequada para o armazenamento de fruta e legumes.

## 5.4 Congelar alimentos frescos

Os compartimentos do congelador são adequados para congelar alimentos frescos e conservar alimentos congelados e ultracongelados por longos períodos.

Para congelar alimentos frescos ative a função Frostmatic pelo menos 24 horas antes de colocar os alimentos a congelar no compartimento do congelador.

Guarde os alimentos frescos uniformemente distribuídos na parte inferior do compartimento do congelador.

A quantidade máxima de alimentos que podem ser congelados sem acrescentar outros alimentos durante 24 horas está especificada na placa de classificação (um rótulo situado no interior do aparelho).

## 5.5 Armazenamento de alimentos congelados

Quando ativar o aparelho pela primeira vez ou após um período sem utilização, e antes de colocar os produtos no compartimento, deixe o aparelho funcionar durante pelo menos 3 horas com a função Frostmatic ativada.

Mantenha os alimentos a mais de 15 mm da porta.



### **CUIDADO!**

Em caso de descongelação acidental, por exemplo, devido a uma falha de energia, se a energia faltar durante mais tempo do que o indicado na placa de classificação em "Tempo de autonomia", os alimentos descongelados têm de ser consumidos rapidamente ou cozinhados imediatamente, arrefecidos e novamente congelados.

## 5.6 Descongelação

Os alimentos ultra congelados ou congelados, antes de serem consumidos, podem ser descongelados no frigorífico ou dentro de um saco plástico com água fria.

Esta operação depende do tempo disponível e do tipo de alimento. Peças pequenas podem ainda ser cozinhadas ainda congeladas.

## 5.7 Produção de cubos de gelo

Este aparelho possui uma ou mais cuvetes para a produção de cubos de gelo.



Não utilize instrumentos metálicos para remover as cuvetes do congelador.

1. Encha as cuvetes com água..
2. Coloque as cuvetes no compartimento do congelador.

# 6. SUGESTÕES E DICAS

## 6.1 Sugestões para poupar energia

- Congelador: A configuração interna do aparelho é a que garante a utilização mais eficiente de energia.
- Frigorífico: A utilização mais eficiente da energia é garantida na configuração com as gavetas na parte inferior do aparelho e nas prateleiras uniformemente distribuídas. O posicionamento das caixas da porta não afeta o consumo de energia.
- Não abra a porta muitas vezes nem a deixe aberta mais tempo do que o necessário.
- Congelador: Quanto mais fria for a regulação da temperatura, mais alto é o consumo energético.
- Frigorífico: Não regule a temperatura demasiado alta para poupar energia, a menos que seja exigido pelas características dos alimentos.
- Se a temperatura ambiente for alta e o controlo de temperatura se encontrar na regulação de temperatura baixa com o aparelho completamente cheio, o compressor pode funcionar continuamente, causando a formação de gelo no evaporador. Neste caso, defina o controlo de temperatura para uma

temperatura mais alta para permitir a descongelação automática e poupar energia desta forma.


- Garanta uma boa ventilação. Não tape as grelhas ou orifícios de ventilação.

## 6.2 Conselhos para a congelação

- Ative a função Frostmatic pelo menos, 24 horas antes de colocar os alimentos no interior do congelador.
- Antes de congelar envolva e sele alimentos frescos em: papel de alumínio, película ou sacos de plástico, recipientes herméticos com tampa.
- Para uma congelação e descongelação mais eficientes, divida os alimentos em pequenas porções.
- Recomenda-se que coloque etiquetas e datas em todos os seus alimentos congelados. Isto irá ajudá-lo a identificar os alimentos e a saber quando devem ser consumidos antes da sua deterioração.
- Os alimentos devem ser frescos quando são congelados para preservar a boa qualidade. Especialmente fruta e legumes devem ser congelados depois da colheita para preservar todos os seus nutrientes.
- Não congele garrafas ou latas com líquidos, em particular bebidas que contenham dióxido de carbono - podem explodir durante a congelação.
- Não coloque alimentos quentes no congelador. Arrefeça à temperatura ambiente antes de os colocar no interior do compartimento.
- Para evitar a subida da temperatura de alimentos já congelados, não coloque alimentos frescos não congelados diretamente próximos daqueles. Coloque os alimentos à temperatura ambiente na parte do congelador onde não existam alimentos congelados.
- Não coma cubos de gelo, gelados com água ou gelados de gelo imediatamente após tirá-los do congelador. Risco de queimadura por frio.

- Não volte a congelar alimentos descongelados. Se os alimentos tiverem descongelado, cozinhe-os, arrefeça-os e, seguidamente, congele-os.

## 6.3 Sugestões para armazenamento de alimentos congelados

- O compartimento do congelador é o assinalado com .
- A regulação de uma temperatura mais alta no interior do aparelho pode levar a uma duração mais curta.
- Todo o compartimento do congelador é adequado ao armazenamento de produtos alimentares congelados.
- Deixe espaço suficiente em torno dos alimentos para permitir que o ar circule livremente.
- Para um armazenamento adequado, consulte o rótulo da embalagem dos alimentos para ver a respetiva validade.
- É importante envolver os alimentos de forma a prevenir que água, humidade ou condensação entrem no interior.

## 6.4 Dicas para compras

Após as compras de mercearia:

- Garanta que a embalagem não está danificada - os alimentos poderiam estar deteriorados. Se a embalagem estiver inchada ou húmida, pode não ter sido armazenada nas condições ideais e a descongelação pode já ter sido iniciada.
- Para limitar o processo de descongelação, compre os produtos congelados no fim das suas compras e transporte-os num saco térmico e isolado.
- Coloque os alimentos congelados imediatamente no congelador depois de voltar da loja.
- Se os alimentos tiverem descongelado, mesmo que parcialmente, não os volte a congelar. Consuma-os o mais brevemente possível.

- Respeite a data de validade e a informação de armazenamento na embalagem.

## 6.5 Validade para o compartimento do congelador


Tipo de alimento	Validade (meses)
Pão	3
Fruta (exceto citrinos)	6 - 12
Legumes	8 - 10
Restos sem carne	1 - 2
<b>Laticínios:</b>	
Manteiga	6 - 9
Queijo mole (por exemplo, mozzarella)	3 - 4
Queijo duro (por exemplo, parmesão, cheddar)	6
<b>Marisco:</b>	
Peixe gordo (por exemplo, salmão, cavala)	2 - 3
Peixe magro (por exemplo, bacalhau, linguado)	4 - 6
Camarão	12
Amêijoas e mexilhões sem casca	3 - 4
Peixe cozinhado	1 - 2
<b>Carne:</b>	
Aves	9 - 12
Vaca	6 - 12
Porco	4 - 6
Borrego	6 - 9
Salsichas	1 - 2
Presunto	1 - 2
Restos com carne	2 - 3

## 6.6 Conselhos para a refrigeração de alimentos frescos

- A regulação de uma temperatura mais alta no interior do aparelho pode levar a uma duração mais curta dos alimentos.
- Tape os alimentos com a embalagem para preservar a sua frescura e aroma.
- Utilize sempre recipientes fechados para líquidos e alimentos, para evitar sabores ou aromas no compartimento.
- Para evitar a contaminação cruzada entre alimentos cozinhados e crus, cubra os alimentos cozinhados e separe-os dos crus.
- Recomenda-se que descongele os alimentos no interior do frigorífico.
- Não coloque alimentos quentes no interior do aparelho. Certifique-se de que arrefeceram à temperatura ambiente antes de os inserir.
- Para prevenir desperdício alimentar, o novo abastecimento de alimentos deve ser colocado sempre por trás do antigo.



## 6.7 Conselhos para a refrigeração de alimentos

- A gaveta de alimentos frescos é a indicada (na placa de características) com .
- Carne (todos os tipos): embale em embalagens adequadas e coloque na prateleira de vidro por cima da gaveta de legumes. A carne conserva-se por 1 ou 2 dias no máximo.
- Fruta e legumes: limpe cuidadosamente (eliminar a sujidade) e coloque numa gaveta especial (gaveta para legumes).
- Aconselha-se a não manter fruta exótica como bananas, mangas, papaias, etc., no frigorífico.
- Os legumes como tomates, batatas, cebolas e alho não devem ser mantidos no frigorífico.
- Manteiga e queijo: coloque num recipiente hermético ou embale em folha de alumínio ou sacos de polietileno para excluir o máximo de ar possível.
- Garrafas: feche-as com uma tampa e coloque-as na prateleira de garrafas da porta ou (se disponível) noutra prateleira de garrafas.
- Consulte sempre a data de validade dos produtos para saber quanto tempo os manter.

## 7. MANUTENÇÃO E LIMPEZA



### AVISO!

Consulte os capítulos relativos à segurança.

### 7.1 Limpeza do interior

Antes de utilizar o aparelho pela primeira vez, limpe o interior e todos os acessórios internos com água morna e detergente neutro, para remover o cheiro típico de um produto novo, e seque minuciosamente.



### CUIDADO!

Não utilize detergentes, pós abrasivos, cloro ou produtos de limpeza à base de óleos, porque estes produtos danificam o acabamento.



### CUIDADO!

Os acessórios e as peças deste aparelho não podem ser lavados na máquina de lavar loiça.

### 7.2 Limpeza periódica

O equipamento tem de ser limpo regularmente:

1. Limpe o interior e os acessórios com água morna e um pouco de detergente neutro.

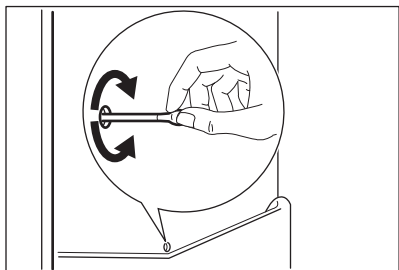
2. Verifique regularmente os vedantes da porta e limpe-os para garantir que estão limpos e sem resíduos.
3. Enxague e seque cuidadosamente.

### 7.3 Descongelar o frigorífico

O gelo é eliminado automaticamente do evaporador do compartimento do frigorífico durante a utilização normal. A água resultante da descongelação é drenada por um canal para um recipiente especial colocado na parte traseira do aparelho, sobre o compressor motorizado, onde evapora.

É importante limpar periodicamente o orifício de descarga da água da descongelação, no centro do canal do compartimento do frigorífico, para evitar o transbordamento de água para os alimentos.

Para este efeito, utilize o dispositivo de limpeza de tubos fornecido com o aparelho.



## 7.4 Descongelar o congelador



### **CUIDADO!**

Nunca utilize objetos metálicos afiados para raspar o gelo do evaporador, porque pode danificá-lo. Não utilize um dispositivo mecânico ou qualquer meio artificial para acelerar o processo de descongelação além dos recomendados pelo fabricante.



Cerca de 12 horas antes de descongelar, seleccione uma temperatura inferior para criar uma reserva de frio suficiente em caso de qualquer interrupção do funcionamento.

Haverá sempre a formação de uma certa quantidade de gelo nas prateleiras do congelador e em redor do compartimento superior.

Descongele o congelador quando a camada de gelo atingir uma espessura de 3 a 5 mm.

1. Desligue o aparelho ou retire a ficha da tomada eléctrica.
2. Retire qualquer alimento guardado e coloque-o num local fresco.



### **CUIDADO!**

Um aumento da temperatura das embalagens dos alimentos congelados, durante a descongelação, pode reduzir o tempo de armazenamento seguro. Não toque nos produtos congelados com as mãos molhadas. Pode ficar com as mãos coladas aos produtos.

3. Deixe a porta aberta. Proteja o chão da água da descongelação, por exemplo, com um pano ou um recipiente plano.
4. Para acelerar o processo de descongelação, coloque um tacho com água quente no compartimento do congelador. Retire os pedaços de gelo que se tenham partido antes do fim da descongelação. Utilize o raspador de gelo fornecido para esta finalidade.
5. Quando a descongelação terminar, seque o interior minuciosamente. Guarde o raspador de gelo para utilização futura.
6. Ligue o aparelho e feche a porta.
7. Defina o regulador de temperatura para obter a frescura máxima e coloque o aparelho em funcionamento durante, pelo menos, três horas com esta definição.

Apenas após este período coloque os alimentos de volta no compartimento do congelador.

## 7.5 Período de inatividade

Quando não pretender utilizar o aparelho durante bastante tempo, adopte as seguintes precauções:

1. Desligue o aparelho da alimentação eléctrica.
2. Retire todos os alimentos.
3. Descongele o aparelho.
4. Limpe o aparelho e todos os acessórios.
5. Deixe a(s) porta(s) aberta(s) para evitar cheiros desagradáveis.

## 8. RESOLUÇÃO DE PROBLEMAS



**AVISO!**  
Consulte os capítulos  
relativos à segurança.

### 8.1 O que fazer se...

Problema	Causa possível	Solução
O aparelho não funciona.	O aparelho está desligado.	Ligar o aparelho.
	A ficha elétrica não está corretamente inserida na tomada.	Inserir corretamente a ficha na tomada elétrica.
	Não há tensão na tomada elétrica.	Ligue um aparelho elétrico diferente à tomada elétrica. Contacte um electricista qualificado.
O aparelho emite demasiado ruído.	O aparelho não está apoiado corretamente.	Verifique se o aparelho se mantém estável.
O aviso acústico ou visual está ligado.	O aparelho foi ligado há pouco tempo.	Consulte “Alarme de porta aberta” ou “Alarme de temperatura elevada”.
	A temperatura no aparelho está demasiado elevada.	Consulte “Alarme de porta aberta” ou “Alarme de temperatura elevada”.
	A porta está aberta.	Feche a porta.
O compressor funciona continuamente.	A temperatura não está definida corretamente.	Consulte o capítulo “Painel de controlo”.
	Guardou demasiados alimentos ao mesmo tempo.	Aguardar algumas horas e verificar novamente a temperatura.
	A temperatura ambiente está demasiado elevada.	Consultar o capítulo “Instalação”.
	Os alimentos guardados no aparelho estavam demasiado quentes.	Deixar os alimentos arrefecer até à temperatura ambiente antes de os guardar.
	A porta não fecha bem.	Consultar a secção “Fechar a porta”.
	A função Frostmatic está ligada.	Consultar a secção “Função Frostmatic”.

<b>Problema</b>	<b>Causa possível</b>	<b>Solução</b>
O compressor não arranca imediatamente após o botão "Frostmatic" ser premido ou após uma alteração da regulação de temperatura.	O compressor começa a funcionar passado algum tempo.	Isto é normal e não ocorreu qualquer erro.
A porta está desnivelada ou interfere com a grelha de ventilação.	O aparelho não está nivelado.	Consulte as instruções de instalação.
A porta não abre facilmente.	Tentou reabrir a porta imediatamente após a fechar.	Aguardar alguns segundos depois de fechar antes de reabrir da porta.
A lâmpada não funciona.	A lâmpada está em modo de espera.	Fechar e abrir a porta.
	A luz está avariada.	Contactar o Centro de Assistência Técnica Autorizado mais próximo.
Existe demasiado gelo.	A porta não está bem fechada.	Consultar a secção "Fechar a porta".
	A junta está deformada ou suja.	Consultar a secção "Fechar a porta".
	Os alimentos não estão bem embalados.	Embalar melhor os alimentos.
	A temperatura não está definida corretamente.	Consulte o capítulo "Painel de controlo".
	O aparelho está totalmente carregado e regulado para a temperatura mais baixa.	Defina uma temperatura superior. Consulte o capítulo "Painel de controlo".
	A temperatura regulada no aparelho está demasiado baixa e a temperatura ambiente está demasiado alta.	Defina uma temperatura superior. Consulte o capítulo "Painel de controlo".
Há água a escorrer na placa traseira do frigorífico.	Durante o processo de descongelação automática, o gelo descongela na placa traseira.	Isto está correto.
Existe demasiada água condensada na parede traseira do frigorífico.	A porta foi aberta demasiadas vezes.	Abriu a porta apenas quando é mesmo necessário.
	A porta não fecha totalmente.	Verificar se a porta está totalmente fechada.

<b>Problema</b>	<b>Causa possível</b>	<b>Solução</b>
	Os alimentos guardados não estão embalados.	Coloque os alimentos em embalagens adequadas antes de os guardar no aparelho.
Há água a escorrer no interior do frigorífico.	Existem alimentos a impedir que a água escorra para o coletor da água.	Verificar se os alimentos não estão a tocar na placa traseira.
	A saída da água está obstruída.	Limpe a saída de água.
Há água a escorrer para o chão.	A saída da água descongelada não está ligada ao tabuleiro de evaporação, por cima do compressor.	Encaixe a saída de água descongelada no tabuleiro de evaporação.
Não é possível definir a temperatura.	A "FunçãoFrostmatic" está ativada.	Desative a "FunçãoFrostmatic" manualmente ou aguarde que a função se desative automaticamente para regular a temperatura. Consulte a secção da "função Frostmatic".
A temperatura no aparelho está demasiado baixa/alta.	A temperatura não está definida corretamente.	Definir uma temperatura mais baixa/alta.
	A porta não fecha bem.	Consultar a secção "Fechar a porta".
	A temperatura dos alimentos é muito alta.	Deixar arrefecer a temperatura dos alimentos até à temperatura ambiente antes de os guardar.
	Demasiados alimentos guardados ao mesmo tempo.	Guardar menos alimentos ao mesmo tempo.
	A espessura do gelo é superior a 4-5 mm.	Descongelar o aparelho.
	A porta foi aberta muitas vezes.	Abrir a porta apenas se necessário.
	A função Frostmatic está ligada.	Consultar a secção "Função Frostmatic".



Se estes conselhos não resultarem, contacte o Centro de Assistência Técnica Autorizado mais próximo.

## 8.2 Substituir a lâmpada

O aparelho está equipado com uma luz interior LED de longa duração.

Apenas a assistência técnica está autorizada a substituir o dispositivo de

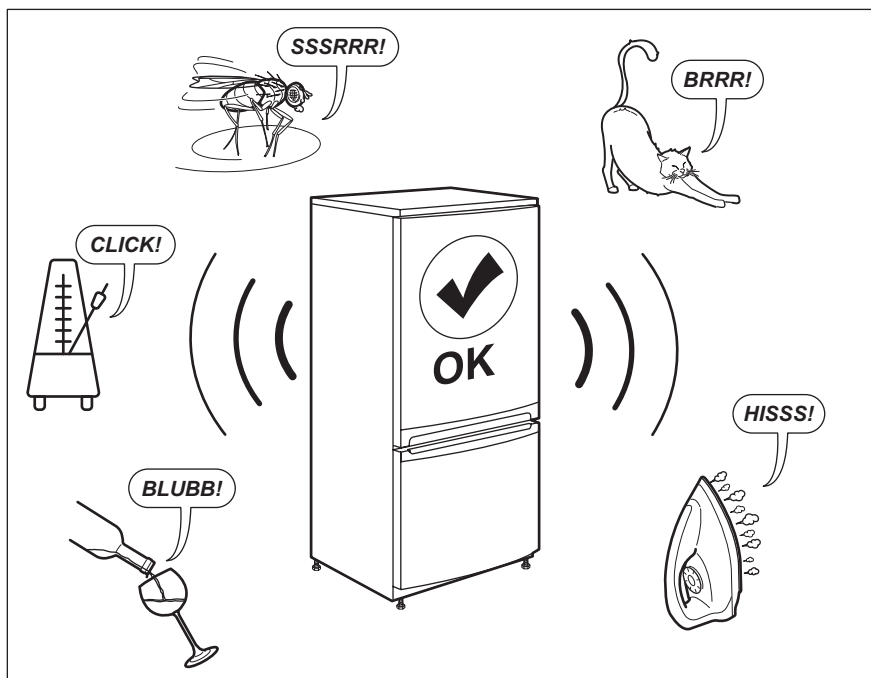
iluminação. Contacte um Centro de Assistência Técnica Autorizado.

### 8.3 Fechar a porta

1. Limpe as juntas da porta.
2. Se necessário, ajuste a porta.  
Consulte as instruções de instalação.

3. Se as juntas da porta estiverem defeituosas, substitua-as. Contacte um Centro de Assistência Técnica Autorizado.

## 9. RUÍDOS



## 10. INFORMAÇÃO TÉCNICA

As informações técnicas encontram-se na placa de características existente no lado interno do aparelho e na etiqueta de energia.

O código QR na etiqueta de energia fornecida com o aparelho disponibiliza-lhe uma ligação da web para a informação relacionada com o desempenho do aparelho na base de dados da EU EPREL. Mantenha a etiqueta de energia para consulta juntamente com o manual do utilizador e

todos os outros documentos disponibilizados com este aparelho.

É também possível encontrar a mesma informação na EPREL utilizando a ligação <https://eprel.ec.europa.eu> e o nome do modelo e o número do produto que encontra na placa de características do aparelho.


Consulte a ligação [www.theenergylabel.eu](http://www.theenergylabel.eu) para informação detalhada sobre a etiqueta de energia.


## 11. INFORMAÇÃO PARA TESTES

A instalação e preparação do aparelho para qualquer verificação EcoDesign deve estar em conformidade com EN 62552. Os requisitos de ventilação, dimensões de encaixe e folgas traseiras mínimas deverão ser conforme

declarado neste Manual do Utilizador no Capítulo 3. Contacte o fabricante para quaisquer informações adicionais, incluindo planos de carga.

## 12. PREOCUPAÇÕES AMBIENTAIS

Recicle os materiais que apresentem o símbolo . Coloque a embalagem nos contentores indicados para reciclagem. Ajude a proteger o ambiente e a saúde pública através da reciclagem dos aparelhos eléctricos e electrónicos. Não elimine os aparelhos que tenham o

símbolo  juntamente com os resíduos domésticos. Coloque o produto num ponto de recolha para reciclagem local ou contacte as suas autoridades municipais.

## CONTENIDO

1. INFORMACIÓN SOBRE SEGURIDAD.....	40
2. INSTRUCCIONES DE SEGURIDAD.....	43
3. INSTALACIÓN.....	45
4. PANEL DE MANDOS.....	47
5. USO DIARIO.....	48
6. CONSEJOS.....	50
7. MANTENIMIENTO Y LIMPIEZA.....	52
8. SOLUCIÓN DE PROBLEMAS.....	54
9. RUIDOS.....	57
10. DATOS TÉCNICOS.....	58
11. INFORMACIÓN PARA LOS INSTITUTOS DE PRUEBAS.....	58

## PARA UNOS RESULTADOS PERFECTOS

Gracias por elegir este producto AEG. Lo hemos creado para brindarle un rendimiento impecable durante muchos años, con tecnologías innovadoras que lo ayudan a simplificar la vida, características que quizás no encuentre en los electrodomésticos comunes. Dedique unos minutos a leer este documento para sacarle el máximo partido.

Visite nuestro sitio web para:



Obtener consejos, folletos, soluciones a problemas e información de servicio y reparación:

**[www.aeg.com/support](http://www.aeg.com/support)**



Registrar su producto para recibir un mejor servicio:

**[www.registreaeg.com](http://www.registreaeg.com)**



Comprar accesorios, artículos de consumo y piezas de recambio originales para su aparato:

**[www.aeg.com/shop](http://www.aeg.com/shop)**

## ATENCIÓN AL CLIENTE Y SERVICIO

Le recomendamos que utilice recambios originales.

Cuando se ponga en contacto con nuestro Centro de servicio técnico, asegúrese de tener los siguientes datos disponibles: Modelo, código numérico del producto (PNC), número de serie.

La información se encuentra en la placa de características.

 Advertencia / Precaución - Información sobre seguridad

 Información general y consejos

 Información relativa al medioambiente

Salvo modificaciones.

### 1. INFORMACIÓN SOBRE SEGURIDAD

Antes de instalar y utilizar el aparato, lea atentamente las instrucciones facilitadas. El fabricante no se hace



responsable de lesiones o daños producidos como resultado de una instalación o un uso incorrectos. Conserve siempre estas instrucciones en lugar seguro y accesible para futuras consultas.

## **1.1 Seguridad de niños y personas vulnerables**

- Este aparato puede ser utilizado por niños de 8 años en adelante y personas cuyas capacidades físicas, sensoriales o mentales estén disminuidas o que carezcan de la experiencia y conocimientos suficientes para manejarlo, siempre que cuenten con las instrucciones o la supervisión sobre el uso del electrodoméstico de forma segura y comprendan los riesgos.
- Los niños de 3 a 8 años pueden cargar y descargar el aparato siempre que hayan sido debidamente instruidos.
- Este aparato puede ser utilizado por personas con discapacidades muy extensas y complejas, siempre que hayan sido instruidas adecuadamente.
- Es necesario mantener alejados del aparato a los niños de menos de 3 años salvo que estén bajo supervisión continua.
- No deje que los niños jueguen con el aparato.
- La limpieza y mantenimiento de usuario del producto no podrán ser realizados por niños sin supervisión.
- Mantenga todo el material de embalaje fuera del alcance de los niños y deséchelo de forma adecuada.

## **1.2 Seguridad general**

- Este aparato está concebido para utilizarse en aplicaciones domésticas y similares, tales como:
  - Granjas; áreas de cocina para el personal en tiendas, oficinas y otros entornos de trabajo;
  - Por clientes en hoteles, moteles, pensiones y otros entornos de tipo residencial.
- Para evitar la contaminación alimentaria, respete las siguientes instrucciones:

- no abra la puerta durante largos periodos de tiempo;
- limpie regularmente las superficies que pueden entrar en contacto con los alimentos y los sistemas de drenaje accesibles;
- guarde la carne y el pescado crudos en recipientes adecuados en el frigorífico, de manera que no estén en contacto con otros alimentos ni goteen sobre ellos.
- ADVERTENCIA: Mantenga libres de obstrucciones las aberturas de ventilación del alojamiento del aparato o de la estructura empotrada.
- ADVERTENCIA: No utilice dispositivos mecánicos ni medios artificiales para acelerar el proceso de descongelación, excepto los recomendados por el fabricante.
- ADVERTENCIA: No dañe el circuito del refrigerante.
- ADVERTENCIA: No utilice dispositivos eléctricos dentro de los compartimientos para alimentos del aparato, salvo si son del tipo recomendado por el fabricante.
- No utilice pulverizadores ni vapor de agua para limpiar el aparato.
- Limpie el aparato con un paño suave humedecido. Utilice solo detergentes neutros. No utilice productos abrasivos, estropajos duros, disolventes ni objetos metálicos.
- Cuando el aparato esté vacío durante un largo período, apáguelo, descongélelo, límpielo, séquelo y deje la puerta abierta para evitar que se desarrolle moho en el interior del aparato.
- No almacene sustancias explosivas tales como latas de aerosol con un propulsor inflamable en este aparato.
- Si el cable eléctrico sufre algún daño, el fabricante, su servicio técnico autorizado o un profesional cualificado tendrán que cambiarlo para evitar riesgos.

## 2. INSTRUCCIONES DE SEGURIDAD

### 2.1 Instalación



#### ADVERTENCIA!

Sólo un técnico cualificado puede instalar el aparato.

- Retire todo el embalaje.
- No instale ni utilice un aparato dañado.
- No utilice el aparato antes de instalarlo en la estructura empotrada por motivos de seguridad.
- Siga las instrucciones de instalación suministradas con el aparato.
- Tenga cuidado al mover el aparato, porque es pesado. Utilice siempre guantes de protección y calzado cerrado.
- Asegúrese de que el aire pueda circular alrededor del aparato.
- En la primera instalación otras invertir el sentido de apertura de la puerta, espere al menos 4 horas antes de conectar el aparato a la alimentación eléctrica. Esto es para permitir que el aceite regrese al compresor.
- Desenchufe siempre el aparato antes de llevar a cabo cualquier operación, por ejemplo cambiar el sentido de apertura de la puerta.
- No instale el aparato cerca de radiadores, cocinas, hornos o placas de cocción.
- No exponga el aparato a la lluvia.
- No instale el aparato donde reciba luz solar directa.
- No instale este aparato en áreas excesivamente húmedas o frías.
- Al mover el aparato, levántelo por el borde frontal para no arañar el suelo.
- El aparato contiene una bolsa de desecante. No se trata de un juguete. No es un alimento. No olvide desecharlo inmediatamente.

### 2.2 Conexión eléctrica



#### ADVERTENCIA!

Riesgo de incendios y descargas eléctricas.



#### ADVERTENCIA!

Al colocar el producto, asegúrese de que el cable de alimentación no queda atrapado o doblado.



#### ADVERTENCIA!

No utilice adaptadores de enchufes múltiples ni cables prolongadores.

- El aparato debe conectarse a tierra.
- Asegúrese de que los parámetros de la placa de características son compatibles con los valores eléctricos del suministro eléctrico.
- Utilice siempre una toma con aislamiento de conexión a tierra correctamente instalada.
- Asegúrese de no provocar daños en los componentes eléctricos (como enchufe, cable de alimentación, compresor). Póngase en contacto con un electricista o con el servicio técnico autorizado para cambiar los componentes eléctricos.
- El cable de alimentación debe estar por debajo del nivel del enchufe de alimentación.
- Conecte el enchufe a la toma de corriente únicamente cuando haya terminado la instalación. Asegúrese de tener acceso al enchufe del suministro de red una vez finalizada la instalación.
- No desconecte el aparato tirando del cable de conexión a la red. Tire siempre del enchufe.

### 2.3 Uso del aparato



#### ADVERTENCIA!

Existe riesgo de lesiones, quemaduras, descargas eléctricas o incendios.



El aparato contiene un gas inflamable, isobutano (R600a), un gas natural con alto grado de compatibilidad medioambiental. Tenga cuidado para no dañar el circuito de refrigerante que contiene isobutano.

- No cambie las especificaciones de este aparato.
- No utilice otros aparatos eléctricos (como máquinas de hacer helados) dentro de aparatos de refrigeración, salvo que el fabricante haya autorizado su utilización.
- Si se daña el circuito del refrigerante, evite las llamas y fuentes de ignición en la habitación. Ventile la habitación.
- No toque con elementos calientes las piezas de plástico del aparato.
- No almacene gas ni líquido inflamable en el aparato.
- No coloque productos inflamables ni objetos mojados con productos inflamables dentro, cerca o encima del aparato.
- No toque el compresor ni el condensador. Están calientes.

## 2.4 Luces interiores



### ADVERTENCIA!

Riesgo de descarga eléctrica.

- En cuanto a la(s) bombilla(s) de este producto y las de repuesto vendidas por separado: Estas bombillas están destinadas a soportar condiciones físicas extremas en los aparatos domésticos, como la temperatura, la vibración, la humedad, o están destinadas a señalar información sobre el estado de funcionamiento del aparato. No están destinadas a utilizarse en otras aplicaciones y no son adecuadas para la iluminación de estancias domésticas.

## 2.5 Mantenimiento y limpieza



### ADVERTENCIA!

Podría sufrir lesiones o dañar el aparato.

- Antes de proceder con el mantenimiento, apague el aparato y desconecte el enchufe de la red.
- Este equipo contiene hidrocarburos en la unidad de refrigeración. Solo una persona cualificada debe realizar el mantenimiento y la recarga de la unidad.

- Examine periódicamente el desagüe del aparato y límpielo si fuera necesario. Si el desagüe se bloquea, el agua descongelada se acumulará en la base del aparato.

## 2.6 Asistencia

- Para reparar el aparato, póngase en contacto con el centro de servicio autorizado. Utilice solamente piezas de recambio originales.
- Tenga en cuenta que la autorreparación o la reparación no profesional puede tener consecuencias de seguridad y podría anular la garantía.
- Las siguientes piezas de repuesto estarán disponibles durante 7 años después de que el modelo se haya retirado: termostatos, sensores de temperatura, placas de circuitos impresos, fuentes de luz, manijas de puertas, bisagras de puertas, bandejas y cestas. Tenga en cuenta que algunas de estas piezas de recambio solo están disponibles para los reparadores profesionales, y que no todas las piezas de recambio son relevantes para todos los modelos.
- Las juntas de las puertas estarán disponibles durante 10 años después de que el modelo se haya retirado.

## 2.7 Desecho



### ADVERTENCIA!

Existe riesgo de lesiones o asfixia.

- Desconecte el aparato de la red.
- Corte el cable de conexión a la red y deséchelo.
- Retire la puerta para evitar que los niños y las mascotas queden encerrados en el aparato.
- El circuito del refrigerante y los materiales aislantes de este aparato no dañan la capa de ozono.
- La espuma aislante contiene gas inflamable. Póngase en contacto con las autoridades locales para saber cómo desechar correctamente el aparato.
- No dañe la parte de la unidad de refrigeración que está cerca del intercambiador de calor.

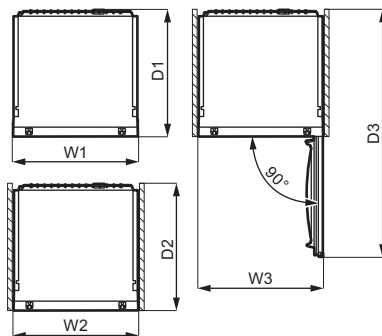
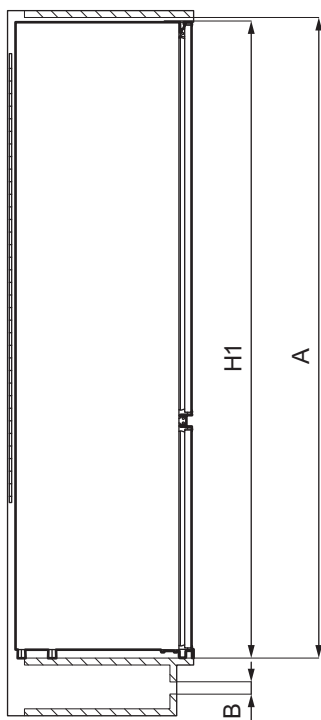
### 3. INSTALACIÓN

**ADVERTENCIA!**  
 Consulte los capítulos sobre seguridad.

**ADVERTENCIA!**  
 Consulte el documento de instrucciones de instalación para instalar su aparato.

**ADVERTENCIA!**  
 Fije el aparato de acuerdo con las instrucciones de instalación para evitar el riesgo de inestabilidad.

#### 3.1 Dimensiones



Dimensiones generales <sup>1</sup>		
H1	mm	1575
W1	mm	548
D1	mm	549

Espacio necesario en uso <sup>2</sup>		
H2 (A+B)	mm	1616
W2	mm	548
D2	mm	551
A	mm	1580

<sup>1</sup> la altura, anchura y profundidad del aparato sin el mango y las patas

**Espacio necesario en uso <sup>2</sup>**

B	mm	36
---	----	----

<sup>2</sup> la altura, anchura y profundidad del aparato, incluyendo la manija, más el espacio necesario para la libre circulación del aire de refrigeración

**Espacio total necesario en uso <sup>3</sup>**

H3 (A+B)	mm	1616
----------	----	------

W3	mm	548
----	----	-----

D3	mm	1071
----	----	------


<sup>3</sup> la altura, anchura y profundidad del aparato, incluido el mango, más el espacio necesario para la libre circulación del aire de refrigeración, más el espacio necesario para permitir la apertura de la puerta hasta el ángulo mínimo que permita la extracción de todo el equipo interno


## 3.2 Ubicación

Para garantizar el mejor funcionamiento del aparato, no debe instalarse en las proximidades de la fuente de calor (horno, estufas, radiadores, cocinas o fogones) ni en un lugar con luz solar directa. Asegúrese de que el aire pueda circular libremente alrededor de la parte posterior del gabinete.

Este aparato debe instalarse en una ubicación interior seca y bien ventilada.

Este aparato está destinado a ser utilizado a una temperatura ambiente que oscila entre 10°C y 43°C.

 Solo se puede garantizar el correcto funcionamiento del aparato dentro del rango de temperatura especificado.

 Si tiene cualquier duda respecto al lugar de instalación del aparato, consulte al vendedor, a nuestro servicio de atención al cliente o al servicio técnico autorizado más cercano.



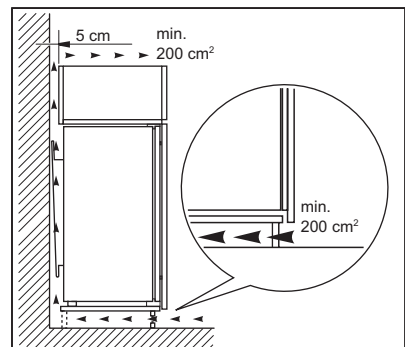
Puede que en algún momento sea necesario desenchufar el aparato de la toma de corriente, por lo que el enchufe debe quedar accesible tras la instalación del aparato.

## 3.3 Conexión eléctrica

- Antes de conectar el aparato, compruebe que el voltaje y la frecuencia indicados en la placa de datos técnicos se corresponden con el suministro de la vivienda.
- El aparato debe conectarse a tierra. El enchufe del cable de alimentación se suministra con un contacto para tal fin. Si la toma de red de la vivienda carece de conexión a tierra, conecte el aparato a una toma de tierra conforme con la normativa, después de consultar a un electricista profesional
- El fabricante declina toda responsabilidad si no se toman las precauciones antes indicadas.
- Este aparato cumple las directivas CEE.

## 3.4 Requisitos de ventilación

El flujo de aire detrás del aparato debe ser suficiente.



### PRECAUCIÓN!

Consulte las instrucciones para realizar la instalación.

### 3.5 Cambio del sentido de apertura de la puerta

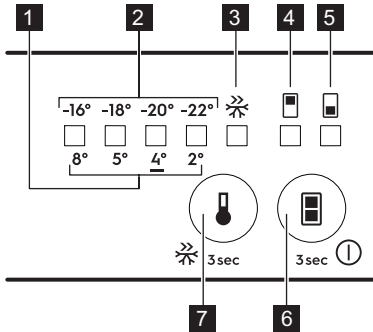
Consulte el documento separado con instrucciones de instalación y de inversión de la puerta.



#### PRECAUCIÓN!

En todas las fases del cambio de sentido de la puerta, proteja la puerta de arañazos con un material resistente.

## 4. PANEL DE MANDOS



1. Indicador LED de temperatura del frigorífico
2. Indicador LED de temperatura del congelador
3. Indicador Frostmatic
4. Indicador del compartimento congelador
5. Indicador del compartimento frigorífico
6. Botón de encendido/apagado  
Tecla de selección de compartimento
7. Tecla Frostmatic  
Regulador de temperatura

### 4.1 Encendido

1. Introduzca el enchufe en la toma.
2. Toque la tecla de encendido/apagado (6) si todos los indicadores LED están apagados.

### 4.2 Apagado

Siga tocando la tecla de encendido/apagado (6) durante 3 segundos. Todos los indicadores se apagan.

### 4.3 Regulación de temperatura

Antes de regular la temperatura, es necesario seleccionar el compartimento (frigorífico o congelador).

La cavidad superior o inferior se selecciona con la tecla de selección del compartimento (6).

Para seleccionar el compartimento congelador, toque la tecla de selección del compartimento (6) hasta que se encienda el correspondiente LED a la cavidad superior.

El indicador LED de temperatura muestra la última temperatura programada. El ajuste recomendado es de -18 °C.

Para seleccionar el compartimento frigorífico, toque la tecla de selección del compartimento (6) hasta que se encienda el correspondiente LED a la cavidad inferior.

El indicador LED de temperatura muestra la última temperatura programada. El ajuste recomendado es de +4 °C.

Para ajustar la temperatura:

1. Toque el botón del regulador de temperatura (7).

El indicador de temperatura actual parpadea.

2. Cada vez que se toca el botón regulador de temperatura (7), el ajuste se mueve una posición. Cuando se selecciona una temperatura, el símbolo LED correspondiente al valor de temperatura seleccionado parpadea un momento y el ajuste se fija.



La temperatura programada se alcanza en un plazo de 24 horas. Después de un corte del suministro eléctrico, la temperatura ajustada permanece almacenada.

#### 4.4 Frostmatic función

La función Frostmatic se utiliza para realizar una congelación previa y una congelación rápida en orden del compartimento congelador. Esta función acelera la congelación de alimentos frescos y, al mismo tiempo, protege los productos alimenticios ya almacenados en el compartimento congelador de un calentamiento no deseado.



Para congelar alimentos frescos, active la función Frostmatic al menos 24 horas antes de colocar los alimentos para completar la precongelación.

Para activar la función Frostmatic, mantenga pulsado el botón Frostmatic (7) durante 3 segundos. Se enciende el indicador Frostmatic.



Esta función se detiene automáticamente después de 52 horas.

La función se puede desactivar en cualquier momento pulsando el botón Frostmatic (7) durante 3 segundos de nuevo. Se apaga el indicador Frostmatic.

#### 4.5 Alarma de puerta abierta

Si la puerta del frigorífico se deja abierta durante aproximadamente 5 minutos, el indicador del compartimento frigorífico parpadea y el sonido se activa.

Durante la alarma, el sonido se puede desactivar pulsando cualquier botón. El sonido se apaga automáticamente después de aproximadamente una hora para evitar molestias.

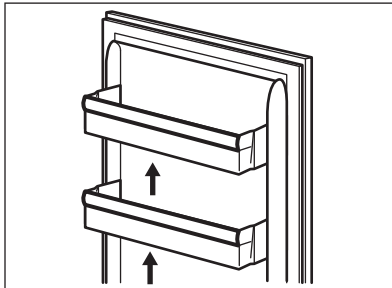
La alarma se desactiva después de cerrar la puerta.

## 5. USO DIARIO

### 5.1 Colocación de los estantes de la puerta

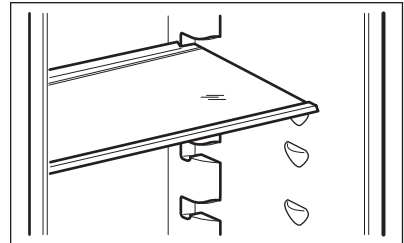
Para permitir el almacenamiento de paquetes de alimentos de varios tamaños, los estantes de las puertas se pueden colocar a diferentes alturas.

1. Tire gradualmente del estante hacia arriba hasta que se suelte.
2. Reposición según sea necesario.



### 5.2 Estantes móviles

Las paredes del frigorífico cuentan con una serie de guías para colocar los estantes del modo que se prefiera.



No coloque el estante de vidrio por encima del cajón de verduras para no impedir la correcta circulación del aire.



### 5.3 Cajón para verduras

En la parte inferior del aparato hay un cajón especial para guardar frutas y verduras.

### 5.4 Congelación de alimentos frescos

El compartimento del congelador es adecuado para congelar alimentos frescos y conservar a largo plazo los alimentos congelados y ultracongelados.

Para congelar alimentos frescos, active la Frostmatic función al menos 24 horas antes de introducir los alimentos en el compartimento congelador.

Guarde los alimentos frescos distribuidos uniformemente en la parte inferior del compartimento congelador.

La cantidad máxima de alimentos que pueden congelarse sin añadir otros alimentos frescos durante 24 horas, se indica en la placa de datos técnicos (una etiqueta situada en el interior del aparato).

### 5.5 Almacenamiento de alimentos congelados

Al activar un aparato por primera vez o después de un periodo sin uso, déjelo en marcha al menos durante 3 horas antes de colocar productos en el compartimento con la función Frostmatic encendida.

Todos los alimentos deben estar como mínimo a 15 mm de la puerta.



#### **PRECAUCIÓN!**

En caso de que se produzca una descongelación accidental, por ejemplo, por un corte del suministro eléctrico, si la interrupción ha sido más prolongada que el valor indicado en la placa de características bajo el "tiempo de elevación", los alimentos descongelados se deben consumir rápidamente o cocinar de inmediato y luego volverse a congelar.

### 5.6 Descongelación

Los alimentos ultracongelados o congelados, antes de consumirlos, pueden descongelarse en el frigorífico o dentro de una bolsa de plástico bajo agua fría.

Esta operación depende del tiempo disponible y del tipo de alimento. Los trozos pequeños pueden incluso cocinarse aún congelados.

### 5.7 Producción de cubitos de hielo

Este aparato cuenta con una o varias bandejas para la producción de cubitos de hielo.



No utilice instrumentos metálicos para retirar las bandejas del congelador.

1. Rellene estas bandejas con agua.
2. Ponga las bandejas de hielo en el compartimento del congelador.

## 6. CONSEJOS

### 6.1 Consejos para ahorrar energía


- Congelador: La configuración interna del aparato es la que garantiza el uso más eficiente de la energía.
- Frigorífico: Se garantiza el consumo más eficiente de energía en la configuración con los cajones en la parte inferior del aparato y los estantes distribuidos uniformemente. La posición de los contenedores de la puerta no afecta al consumo de energía.
- No abra la puerta con frecuencia ni la deje abierta más tiempo del necesario.
- Congelador: Cuanto más frío sea el ajuste de la temperatura, mayor será el consumo de energía.
- Frigorífico: No fije una temperatura demasiado alta para ahorrar energía, a menos que lo requieran las características del alimento.
- Si la temperatura ambiente es elevada y el control de temperatura se ajusta a baja temperatura y el aparato está totalmente cargado, el compresor puede funcionar de manera continua, provocando la formación de escarcha o hielo en el evaporador. En tal caso, ajuste el control de temperatura hacia una temperatura más elevada para permitir la descongelación automática y ahorrar energía.
- Asegure una buena ventilación. No cubra las rejillas o los orificios de ventilación.

### 6.2 Consejos sobre la congelación

- Active la función Frostmatic al menos 24 horas antes de colocar los alimentos en dentro del congelador.
- Antes de congelar, envuelva y selle los alimentos frescos en: papel de aluminio, film o bolsas de plástico, envases herméticos con tapa.
- Para congelar y descongelar con más eficacia, divida la comida en porciones pequeñas.

- Se recomienda poner etiquetas y fechas en todos sus alimentos congelados. Esto ayudará a identificar los alimentos y a saber cuándo deben utilizarse antes de su deterioro.
- Los alimentos deben ser frescos al congelarlos para preservar la buena calidad. Especialmente las frutas y verduras deben ser congeladas después de cosecharlos para preservar todos sus nutrientes.
- No congele las botellas o latas con líquidos, en particular las bebidas que contienen dióxido de carbono, ya que pueden explotar durante la congelación.
- No coloque alimentos calientes en el compartimiento del congelador. Enfríelos a temperatura ambiente antes de colocarlos dentro del compartimiento.
- Para evitar aumentos en la temperatura de comida ya congelada, no coloque comida no congelada justo al lado. Coloque los alimentos a temperatura ambiente en la parte del compartimiento del congelador donde no hay alimentos congelados.
- No coma cubitos de hielo, sorbetes o helados inmediatamente después de sacarlos del congelador. Existe riesgo de quemaduras.
- No vuelva a congelar los alimentos descongelados. Si la comida se ha descongelado, cocínala, enfríela y luego congélela.

### 6.3 Consejos para el almacenamiento de alimentos congelados

- El compartimiento congelador es el marcado con .
- Una temperatura más alta en el interior del aparato puede reducir la vida útil.
- Todo el compartimiento congelador es adecuado para el almacenamiento de alimentos congelados.
- Deje suficiente espacio alrededor de los alimentos para permitir que el aire circule libremente.

- Para un almacenamiento adecuado, consulte la etiqueta de los envases de los alimentos para ver su vida útil.
- Es importante envolver los alimentos de tal manera que se evite que el agua, la humedad o la condensación entren en su interior.
- Para limitar el proceso de descongelación, compre los productos congelados al final de su compra en el supermercado y transpórtelos en una bolsa térmica y aislada.
- Ponga los alimentos congelados inmediatamente en el congelador después de volver de la tienda.
- Si la comida se ha descongelado aunque sea parcialmente, no la vuelva a congelar. Se debe consumir lo antes posible.
- Respete la fecha de caducidad y la información de almacenamiento del paquete.

## 6.4 Consejos de compra

Después de la compra:

- Asegúrese de que el envase no esté dañado - los alimentos podrían estar deteriorados. Si el paquete está hinchado o mojado, es posible que no se haya almacenado en condiciones óptimas y que la descongelación ya haya comenzado.


## 6.5 Vida útil en el congelador

Tipo de alimento	Vida útil (meses)
Pan	3
Frutas (excepto cítricos)	6 - 12
Verduras	8 - 10
Sobras sin carne	1 - 2
<b>Lácteos:</b>	
Mantequilla	6 - 9
Queso blando (p. ej. mozzarella)	3 - 4
Queso duro (p. ej. parmesano, cheddar)	6
<b>Marisco:</b>	
Pescado graso (p. ej. salmón, caballa)	2 - 3
Pescado magro (p. ej. bacalao, platija)	4 - 6
Langostinos	12
Almejas y mejillones desconchados	3 - 4
Pescado cocinado	1 - 2
<b>Carne:</b>	
Aves	9 - 12
Vacuno	6 - 12
Cerdo	4 - 6
Cordero	6 - 9
Salchichas	1 - 2
Jamón	1 - 2
Sobras con carne	2 - 3

## 6.6 Consejos para la refrigeración de alimentos frescos

- Una temperatura más alta en el interior del aparato puede reducir la vida útil de los alimentos.
- Cubra el alimento con el envase para preservar su frescura y aroma.
- Utilice siempre recipientes cerrados para líquidos y para alimentos, para evitar sabores u olores en el compartimento.
- Para evitar la contaminación cruzada entre alimentos cocidos y crudos, cubra la comida cocinada y sepárela de la cruda.
- Se recomienda descongelar los alimentos dentro de la nevera.
- No coloque alimentos calientes dentro del aparato. Asegúrese de que se haya enfriado a temperatura ambiente antes de introducirla.
- Para evitar el desperdicio de alimentos, los alimentos más recientes deben colocarse siempre detrás de los viejos.

## 6.7 Consejos para la refrigeración de alimentos

- El compartimento de alimentos frescos es el marcado (en la placa de características) con .

- Carne (cualquier variedad): guárdela en un envoltorio adecuado y colóquela en el estante de vidrio, sobre el cajón de las verduras. Almacene la carne durante un máximo de 1-2 días.
- Frutas y verduras: límpielas a fondo (elimine la suciedad) y colóquelas en un cajón especial (cajón para verduras).
- Es aconsejable no guardar en el frigorífico las frutas exóticas como plátanos, mangos, papayas, etc.
- Las verduras como tomates, patatas, cebollas y ajos no deben guardarse en el frigorífico.
- Queso y mantequilla: colóquelo en un recipiente hermético, o envuélvalo en papel de aluminio o en bolsas de polietileno para eliminar todo el aire posible.
- Botellas: ciérrelas con un tapón y colóquelas en el estante para botellas de la puerta o en el botellero (si dispone de él).
- Consulte siempre la fecha de caducidad de los productos para saber cuánto tiempo debe conservarlos.

# 7. MANTENIMIENTO Y LIMPIEZA



### ADVERTENCIA!

Consulte los capítulos sobre seguridad.

## 7.1 Limpieza del interior

Antes de utilizar el aparato por primera vez, lave su interior y todos los accesorios internos con agua templada y jabón neutro para eliminar el típico olor de los productos nuevos. A continuación, seque todo bien.



### PRECAUCIÓN!

No utilice detergentes, polvos abrasivos ni limpiadores a base de cloro o aceite, ya que podrían dañar el acabado.



### PRECAUCIÓN!

Los accesorios y las piezas del aparato no deben lavarse en el lavavajillas.

## 7.2 Limpieza periódica

El equipo debe limpiarse de forma regular:

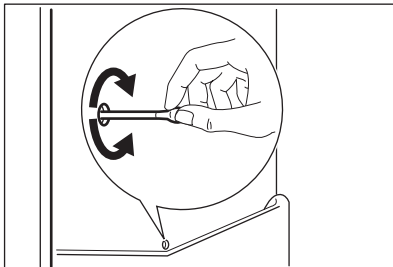
1. Limpie el interior y los accesorios con agua templada y un jabón neutro.
2. Revise y limpie periódicamente las juntas de la puerta para mantenerlas limpias y sin restos.
3. Aclare y seque a fondo.

### 7.3 Descongelación del frigorífico

La escarcha se elimina automáticamente del evaporador del compartimento frigorífico durante el uso normal. El agua de la descongelación se descarga por un canal hacia un recipiente especial situado en la parte posterior del aparato, sobre el motor compresor, desde donde se evapora.

Es importante limpiar periódicamente el orificio de salida del agua de descongelación situado en la mitad del canal del compartimento frigorífico para evitar que el agua se desborde y caiga sobre los alimentos del interior.

Utilice para ello la varilla limpiadora incluida con el aparato.



### 7.4 Descongelación del congelador



**PRECAUCIÓN!**

No utilice herramientas metálicas afiladas para raspar la escarcha del evaporador, ya que podría dañarlo.

No utilice dispositivos mecánicos ni medios artificiales para acelerar el proceso de descongelación, excepto los recomendados por el fabricante.



Unas 12 horas antes de realizar la descongelación, ajuste una temperatura más baja con el fin de acumular frío suficiente en caso de una interrupción del funcionamiento.

Siempre se forma un poco de escarcha en los estantes del congelador y en torno al compartimento superior.

Descongele el congelador cuando la capa de escarcha alcance un grosor de unos 3-5 mm.

1. Apague el aparato o desconecte el enchufe de la toma de corriente.
2. Retire cualquier alimento almacenado y póngalo en un lugar fresco.



**PRECAUCIÓN!**

El aumento de la temperatura de los paquetes de alimentos congelados durante la descongelación puede acortar su tiempo de almacenamiento. No toque los alimentos congelados con las manos mojadas. Podrían congelarse al contacto con los alimentos.

3. Deje la puerta abierta. Proteja el suelo del agua de la descongelación p. ej., con un paño o recipiente plano.
4. Para acelerar el proceso de descongelación, coloque un recipiente con agua tibia en el compartimento congelador. Además, retire los trozos de hielo que se desprendan antes de que finalice la descongelación. Utilice para ello el raspador de hielo suministrado.
5. Cuando la descongelación haya terminado, seque a fondo el interior del aparato. Guarde el raspador de hielo para su uso futuro.
6. Encienda el aparato y cierre la puerta.
7. Ajuste el regulador de temperatura para obtener el máximo frío y haga funcionar el aparato durante al menos 3 horas con dicho ajuste.

Solo después de este tiempo vuelva a poner la comida en el congelador.

## 7.5 Periodos sin funcionamiento

Si el aparato no se utiliza durante un tiempo prolongado, tome las siguientes precauciones

1. Desconecte el aparato de la red eléctrica.
2. Extraiga todos los alimentos.
3. Descongele el aparato.
4. Limpie el aparato y todos los accesorios.
5. Deje las puertas abiertas para evitar olores desagradables.

# 8. SOLUCIÓN DE PROBLEMAS



### ADVERTENCIA!

Consulte los capítulos sobre seguridad.

## 8.1 Qué hacer si...

Problema	Posible causa	Solución
El aparato no funciona.	El aparato está apagado.	Encienda el aparato.
	El enchufe no está bien conectado a la toma de corriente.	Conecte el aparato a la toma de corriente correctamente.
	No hay tensión en la toma de corriente.	Conecte un aparato diferente a la de corriente. Póngase en contacto con un electricista cualificado.
El aparato hace ruido.	El aparato no está bien apoyado.	Compruebe que los soportes del aparato están estables.
La alarma audible o visual está activada.	El armario se ha encendido hace poco.	Consulte "Alarma de puerta abierta" o "Alarma de temperatura alta".
	La temperatura del aparato es demasiado alta.	Consulte "Alarma de puerta abierta" o "Alarma de temperatura alta".
	La puerta se queda abierta.	Cierre la puerta.
El compresor funciona continuamente.	La temperatura se ha ajustado incorrectamente.	Consulte el capítulo "Panel de control".
	Se han introducido muchos alimentos al mismo tiempo.	Espere unas horas y vuelva a comprobar la temperatura.
	La temperatura ambiente es demasiado alta.	Consulte el capítulo "Instalación".

Problema	Posible causa	Solución
	Los alimentos introducidos en el aparato estaban demasiado calientes.	Deje que los alimentos se enfríen a temperatura ambiente antes de guardarlos.
	La puerta no está bien cerrada.	Consulte la sección "Cierre de la puerta".
	La función Frostmatic está activada.	Consulte la sección "Función Frostmatic".
El compresor no se pone en marcha inmediatamente después de pulsar "Frostmatic", o tras cambiar la temperatura.	El compresor se pone en marcha al cabo de cierto tiempo.	Esto es normal, no se ha producido ningún error.
La puerta está mal alineada o interfiere con la rejilla de ventilación.	El aparato no está nivelado.	Consulte las instrucciones de instalación.
La puerta no se abre fácilmente.	Ha intentado volver a abrir la puerta inmediatamente después de cerrarla.	Espere unos segundos entre el cierre y la reapertura de la puerta.
La bombilla no funciona.	La bombilla está en modo de espera.	Cierre y abra la puerta.
	La bombilla es defectuosa.	Póngase en contacto con el servicio técnico autorizado más cercano.
Hay demasiada escarcha y hielo.	La puerta no está bien cerrada.	Consulte la sección "Cierre de la puerta".
	La junta de la puerta está sucia o deformada.	Consulte la sección "Cierre de la puerta".
	Los alimentos no están bien envueltos.	Envuelva mejor los productos.
	La temperatura se ha ajustado incorrectamente.	Consulte el capítulo "Panel de control".
	El aparato está completamente cargado y ajustado a la temperatura más baja.	Seleccione una temperatura más alta. Consulte el capítulo "Panel de control".
	La temperatura ajustada en el aparato es demasiado baja y la temperatura ambiente demasiado alta.	Seleccione una temperatura más alta. Consulte el capítulo "Panel de control".

<b>Problema</b>	<b>Posible causa</b>	<b>Solución</b>
El agua fluye por la placa posterior del frigorífico.	Durante el proceso de descongelación automática, la escarcha se derrite en la placa posterior.	Es correcto.
Hay demasiada agua de condensación en la pared posterior del frigorífico.	La puerta se abre con demasiada frecuencia.	Abra la puerta solo cuando sea necesario.
	La puerta no se cierra completamente.	Asegúrese de que la puerta está cerrada completamente.
	Los alimentos guardados no están envueltos correctamente.	Envuelva los alimentos correctamente antes de guardarlos en el aparato.
El agua fluye por el interior del frigorífico.	Los productos impiden que el agua fluya al colector de agua.	Asegúrese de que los alimentos no tocan la placa posterior.
	La salida de agua está obstruida.	Limpie la salida de agua.
El agua fluye por el suelo.	La salida de agua de descongelación no está conectada a la bandeja de evaporación situada sobre el compresor.	Acople la salida de agua de descongelación a la bandeja de evaporación.
No se puede ajustar la temperatura.	La "función Frostmatic" está activada.	Apague la "función Frostmatic" manualmente, o espere hasta que la función se desactive automáticamente antes de ajustar la temperatura. Consulte la sección "Función Frostmatic".
La temperatura del aparato es demasiado baja/alta.	La temperatura no se ha ajustado correctamente.	Seleccione una temperatura más alta/más baja.
	La puerta no está bien cerrada.	Consulte la sección "Cierre de la puerta".
	La temperatura de los productos es demasiado alta.	Deje que la temperatura de los alimentos descienda a la temperatura ambiente antes de guardarlos.
	Se han guardado muchos alimentos al mismo tiempo.	Guarde menos alimentos al mismo tiempo.



Problema	Posible causa	Solución
	El grosor de la escarcha es superior a 4-5 mm.	Descongele el aparato.
	La puerta se ha abierto con frecuencia.	Abra la puerta sólo si es necesario.
	La función Frostmatic está activada.	Consulte la sección "Función Frostmatic".

**i** Si el consejo anterior no ofrece resultados, llame al servicio técnico autorizado más cercano.

### 8.2 Cambio de la bombilla

El aparato está equipado con una luz LED interior de larga duración.

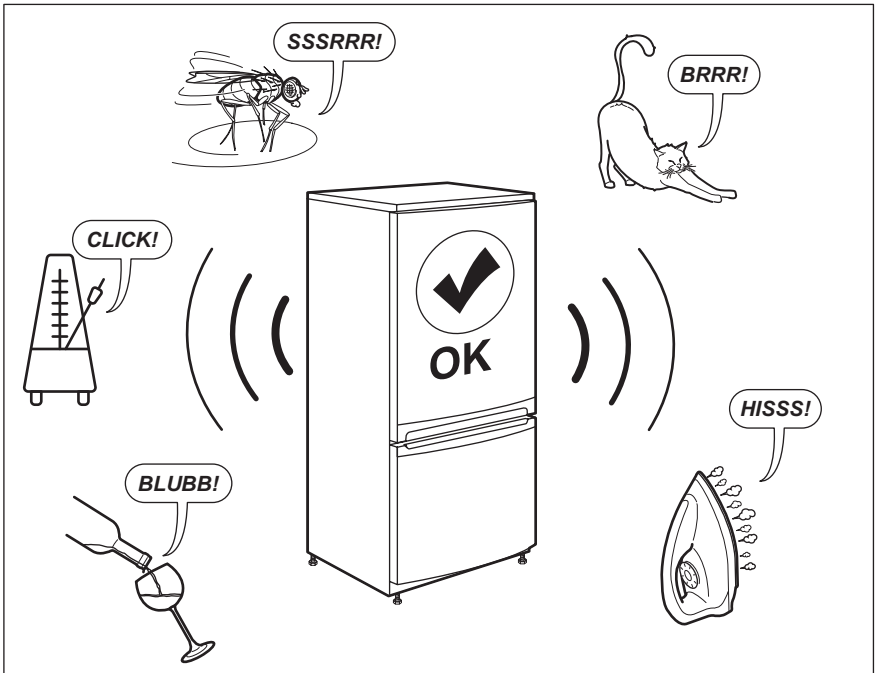
El dispositivo de iluminación solo debe ser sustituido por el servicio técnico.

Póngase en contacto con el servicio técnico.

### 8.3 Cierre de la puerta

1. Limpie las juntas de la puerta.
2. Si es necesario, ajuste la puerta. Consulte las instrucciones de instalación.
3. Si es necesario, cambie las juntas defectuosas. Póngase en contacto con el servicio técnico autorizado.

## 9. RUIDOS



## 10. DATOS TÉCNICOS

La información técnica se encuentra en la placa de datos técnicos situada en el interior del aparato y en la etiqueta de consumo energético.

El código QR de la etiqueta energética suministrada con el aparato proporciona un enlace web a la información relacionada con el rendimiento del aparato en la base de datos EPREL de la UE. Guarde la etiqueta energética como referencia junto con el manual de usuario y todos los demás documentos que se proporcionan con este aparato.

También puede encontrar la misma información en EPREL accediendo desde el enlace <https://eprel.ec.europa.eu> e introduciendo el nombre del modelo y el número de producto que se encuentran en la placa de datos técnicos del aparato.


Consulte el enlace [www.theenergylabel.eu](http://www.theenergylabel.eu) para obtener información detallada sobre la etiqueta energética.


## 11. INFORMACIÓN PARA LOS INSTITUTOS DE PRUEBAS

La instalación y la preparación del aparato para cualquier verificación de EcoDiseño deberá cumplir con EN 62552. Los requisitos de ventilación, las dimensiones de los huecos y las distancias mínimas traseras serán los

indicados en el Capítulo 3 de este Manual de Usuario. Por favor, póngase en contacto con el fabricante para cualquier otra información adicional, incluyendo los planos de carga.

## 12. ASPECTOS MEDIOAMBIENTALES

Recicle los materiales con el símbolo . Coloque el material de embalaje en los contenedores adecuados para su reciclaje. Ayude a proteger el medio ambiente y la salud pública, así como a reciclar residuos de aparatos eléctricos y

electrónicos. No deseche los aparatos marcados con el símbolo  junto con los residuos domésticos. Lleve el producto a su centro de reciclaje local o póngase en contacto con su oficina municipal.



[www.aeg.com/shop](http://www.aeg.com/shop)



222378810-B-042021



**AEG**