



## EN ■ Ceramic heater

**This product is suitable only for well insulated areas or for infrequent use.**

*Translation of the original manual*

**READ CAREFULLY AND STORE FOR FUTURE USE.**

- This appliance may be used by children 8 years of age and older and by persons with physical, sensory or mental impairments or by inexperienced persons, if they are properly supervised or have been informed about how to use the product in a safe manner and understand the potential dangers.
- Children must not play with the appliance. Cleaning and maintenance must not be performed by unsupervised children.
- In the event that the power cord is damaged, have it repaired at a professional service centre to prevent causing a dangerous situation. It is forbidden to use the appliance if it has a damaged power cord.



Do not cover!

**WARNING:**

To prevent overheating, do not cover the heater.

- The heater must not be located directly underneath a power socket.
- Do not use the heater in the direct vicinity of a bath, shower or swimming pool.

**ATTENTION:**

The appliance is not equipped with a device for controlling room temperature. Do not use the appliance in small spaces where there are people who are unable to leave the room on their own and if constant supervision is not provided.

- This appliance is not intended to be mounted on a wall.
- Children younger than 3 years of age should be prevented from accessing the appliance unless they are under constant supervision.
- Children from 3 to 8 years of age may only turn this appliance on/off under the condition that it is located or installed in its intended normal operating position and that they are under supervision or were informed about the safe operation of the appliance and understand the potential hazards. Children from 3 to 8 years of age must not insert the plug into the power socket, regulate or clean the appliance or carry out maintenance performed by the user.

**ATTENTION:**

Certain parts of this product may become very hot and cause burns. Special attention should be paid when children and handicapped people are present.

- Do not use the heater if it fell.
- Do not use the heater if it shows visible signs of damage.
- Use the heater on a level and stable surface. Do not use it attached to a wall or ceiling.



## ATTENTION:

To reduce the risk of fire, keep the fabrics, curtains, or any other flammable material at least 1 m away from the air outlet.

- Before connecting the appliance to a power socket, check that the rated voltage on its rating label matches the electrical voltage in the power socket.
- Do not connect the appliance to an extension cord or two way adapter.

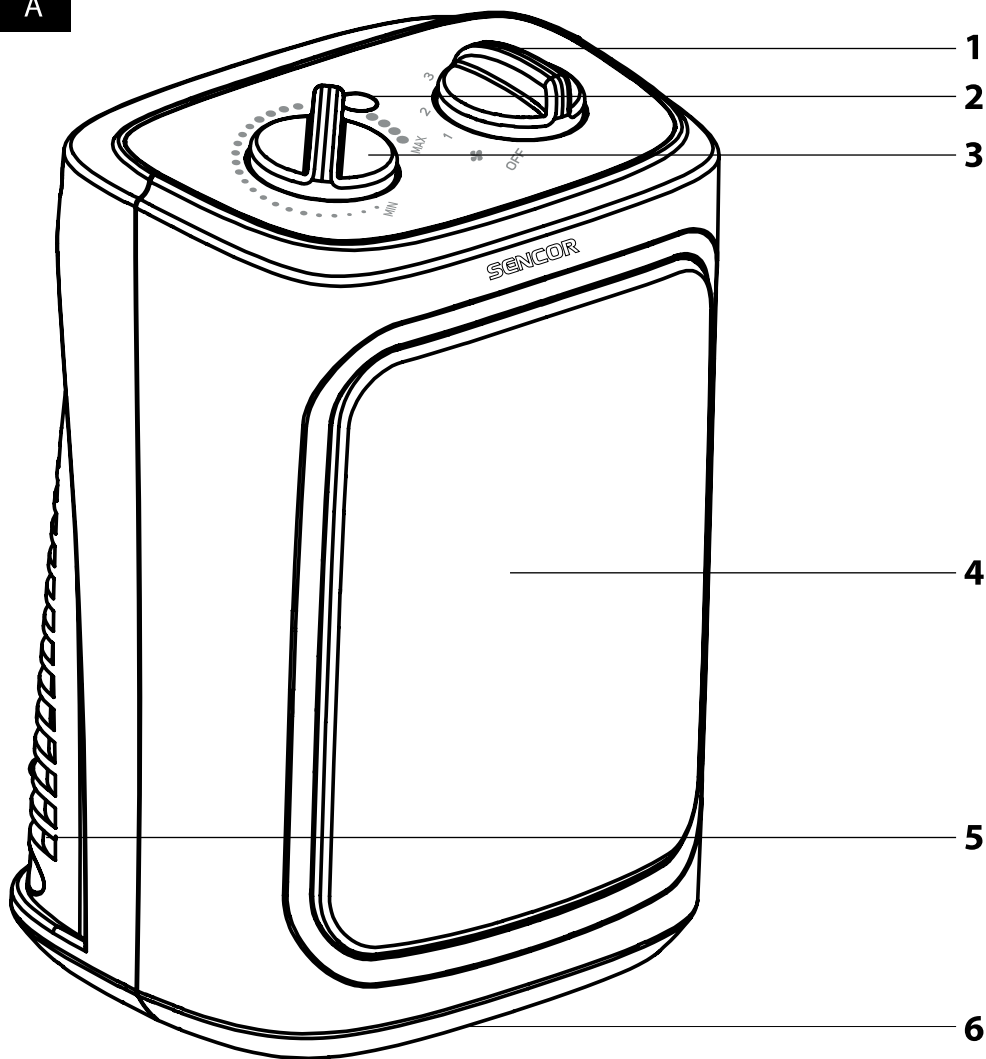


### Attention:

Do not use this appliance with a programmer, timer switch, a remote control system or any other device which would switch the appliance on automatically, because there is a danger of a fire if the appliance is covered or incorrectly located.

- The appliance is designed for use in households, offices and similar types of areas.
- Do not use the appliance in very dusty or humid rooms such as laundries or bathrooms, in areas where chemicals are stored, in industrial surroundings or outdoors.
- When the appliance is in operation, it must not be located on an unstable surface, e.g. sofa, carpets with very long and thick fibres, etc. The appliance must always be located on an even, dry and stable surface.
- Use the appliance in a vertical position.
- Do not use the appliance in rooms smaller than 4 m<sup>2</sup>.
- Free space of at least 1 m in front of the appliance and 50 cm behind the appliance must be maintained while it is running to ensure sufficient air circulation. Do not use the appliance in the near vicinity of curtains, drapes or other flammable materials.
- Do not subject people or animals to the direct flow of hot or cold air for an extended period of time. This could negatively affect their health.
- Do not insert any objects through the front air outflow grill or the back air inflow grill. This could lead to an electrical short circuit or damage the appliance.
- To avoid potential injury by electrical shock, do not submerge any part of this appliance under water or any other liquid.
- Do not touch the appliance with wet or damp hands when it is connected to a power socket.
- Do not leave the appliance without supervision while it is turned on and connected to a power socket. Do not leave the appliance in operation while sleeping.
- Always turn off the appliance and disconnect it from the power socket when not using it or before cleaning it.
- Keep the appliance in a clean condition.
- To avoid damaging the power cord, do not bend or twist it. Make sure that it does not come into contact with hot surfaces or sharp objects.
- Do not disconnect the appliance from the power socket by pulling on the power cord. This could damage the power cord or the socket. Disconnect the cord from the power socket by gently pulling the plug of the power cord.
- Do not use the appliance if it is not working correctly, if it has been damaged or has been submerged in water. To avoid the danger of injury by electrical shock, do not repair the appliance yourself or make any adjustments to it. Have all repairs or adjustments of the appliance performed at an authorised service centre. By tampering with the appliance, you risk voiding your legal rights arising from unsatisfactory performance or quality warranty.
- The manufacturer is not responsible for any damages caused by the incorrect use of this appliance.

A



# EN Ceramic heater

## User's manual

- Prior to using this appliance, please read the user's manual thoroughly, even in cases, when one has already familiarised themselves with previous use of similar types of appliances. Only use the appliance in the manner described in this user's manual. Keep this user's manual in a safe place where it can be easily retrieved for future use. We recommend saving the original cardboard box, packaging material, purchase receipt and responsibility statement of the vendor or warranty card for at least the duration of the legal liability for unsatisfactory performance or quality. In the event of transportation, we recommend that you pack the appliance in the original box from the manufacturer.

### DESCRIPTION OF THE APPLIANCE

- A1** Operating mode selection knob
- A2** On/Off indicator light
- A3** Thermostat knob
- A4** Front cover
- A5** Rear grille
- A6** Tip-over safety mechanism (located on the underside of the heater)

### BEFORE USING

- Before first use, take the appliance and its accessories out of the packaging material and remove all promotional labels and stickers. Check that neither the appliance nor any of its parts is damaged.

### CONTROLLING THE HEATER

#### Locating the heater

- Locate the heater on an flat and solid surface at a sufficient distance from the power socket.
- Insert the power plug into a power socket.
- Turn the thermostat **A3** clockwise until you hear a click, which indicates that the heater is turned on.
- Set the thermostat to the desired level. Turning it clockwise (towards MAX) sets a higher thermostat level and conversely, turning it anticlockwise (towards MIN) sets a lower thermostat level.

#### Turning off the heater


- When not using the heater, turn knob **A1** to the OFF position and turn the thermostat **A3** anticlockwise to MIN until you hear a click. This indicates that the heater is turned off. Disconnect the power plug from the power socket.



#### Note:

A slight odour may be felt when the heater is first turned on or after an extended period where it has not been used. This will go away after a short while.

#### Setting an operating mode

- Turn knob **A1** to select the desired operating mode:
  - fan mode 
  - 900 W hot air mode - 1
  - 1,300 W hot air mode - 2
  - 2,000 W hot air mode - 3
- When knob **A1** is turned, the indicator light **A2** will turn on and remain lit until the knob **A1** is set to the OFF position.

### AUTOMATIC SAFETY SHUT-OFF FUNCTION

- The ceramic heater is equipped with a safety mechanism **A6** that automatically turns it off when it is tipped over. This safety mechanism **A6** serves a safety function and prevents dangerous situations from arising.

### OVERHEATING PROTECTION

- In the event that the temperature of the heater is too high due to an inappropriate environment in which it is used or as a result of incorrect use, the power supply to the heater will automatically be shut off and it will stop working. It is recommended to disconnect the power plug from the power socket and allow it to cool down completely. Then you will be able to use the heater again.

### THERMAL PROTECTION

- The ceramic heater is equipped with double thermal protection – a resettable and non-resettable thermal fuse. The resettable thermal fuse will turn the heater off when there is a danger of its overheating or malfunctioning. When the temperature of the heater falls, you will be able to use the heater again.
- The non-resettable thermal fuse is installed for the case, where the resettable thermal fuse fails. In the event of overheating, malfunction or if the heater stops working for any other reason, the non-resettable thermal fuse will completely turn off the heater and it will not be possible to turn it on. In such a case, contact an authorised service centre.
- The most frequent cause of overheating is the accumulation of dust or dirt on the rear grille **A5** and on the the front grille **A4**. Regularly remove dust and dirt using a vacuum cleaner. Always turn off the heater, disconnect the power plug from the power socket and allow the heater to cool down completely before cleaning it.
- The heater is not equipped with a temperature sensor, therefore, it cannot be used to heat areas designed for storage of objects that require a precise temperature control.

### MAINTENANCE AND CLEANING

- Ensure that the appliance is turned off and that it has cooled down before cleaning it.
- Wipe the appliance using a soft dry cloth. Regularly remove dust and dirt from the front **A4** and rear grille **A5**. A vacuum cleaner can also be used for removing the dust and dirt. Nevertheless, always check that the heater is turned off, the power plug is disconnected from the power socket and that the heater has cooled down completely.
- Do not use chemicals or abrasive cleaning products for cleaning. Otherwise the surface of the appliance may be damaged.



#### Warning:

To prevent the risk of injury by electrical shock, do not submerge the appliance, power cord or power plug in water or any another liquid.

### STORAGE

- When not using the appliance, store it in a dry, clean place out of children's reach. Allow the appliance to cool down before storing it.

### TROUBLESHOOTING

- When the heater does not work properly, first check the instructions provided below, which will help you to resolve potential problems with the heater. If the problem is not described in the instructions below or if the problem persists, stop using the heater, disconnect the power plug from the power socket and contact an authorised service centre.

Problem	Cause	Solution
After connecting it to the power socket, the indicator light <b>A2</b> does not light up and the heater does not work.	The plug is not correctly inserted in the power socket.	Pull out and reinsert the power plug into the power socket.
	You have not turned the thermostat knob <b>A3</b> sufficiently.	Turn the thermostat knob <b>A3</b> clockwise until you hear a click.
The heater suddenly turns off during operation.	The thermal fuse that protects the appliance against overheating was triggered.	Turn off the heater, disconnect the power plug from of the power socket and allow the heater to cool down completely.

### TECHNICAL SPECIFICATIONS

Rated voltage ..... 220 – 240 V ~  
 Rated frequency..... 50 Hz  
 Rated power input ..... 2,000 W  
 Noise level ..... 60 dB(A)

The declared noise emission level of the appliance is 60 dB(A), which represents a level A of acoustic power with respect to a reference acoustic power of 1 pW.

#### Safety class for electrical shock protection:



Class II – Electrical shock protection is provided by double or heavy-duty insulation.

We reserve the right to change text and technical specifications.

## INSTRUCTIONS AND INFORMATION REGARDING THE DISPOSAL OF USED PACKAGING MATERIALS

Dispose of used packaging material at a site designated for waste in your municipality.

### DISPOSAL OF USED ELECTRICAL AND ELECTRONIC EQUIPMENT



This symbol on products or original documents means that used electric or electronic products must not be added to ordinary municipal waste. For proper disposal, renewal and recycling, hand these products over to determined collection points. Alternatively, in some European Union states or other European countries you may return your appliances to the local retailer when buying an equivalent new appliance.

Correct disposal of this product helps save valuable natural resources and prevents potential negative effects on the environment and human health, which could result from improper waste disposal. Ask your local authorities or collection facility for more details.

In accordance with national regulations penalties may be imposed for the incorrect disposal of this type of waste.

#### For business entities in European Union states

If you want to dispose of electric or electronic devices, ask your retailer or supplier for the necessary information.

#### Disposal in other countries outside the European Union.

This symbol is valid in the European Union. If you wish to dispose of this product, request the necessary information about the correct disposal method from the local council or from your retailer.



This product meets all the basic requirements of EU directives related to it.