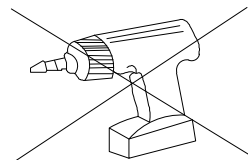
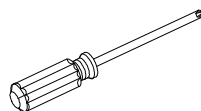
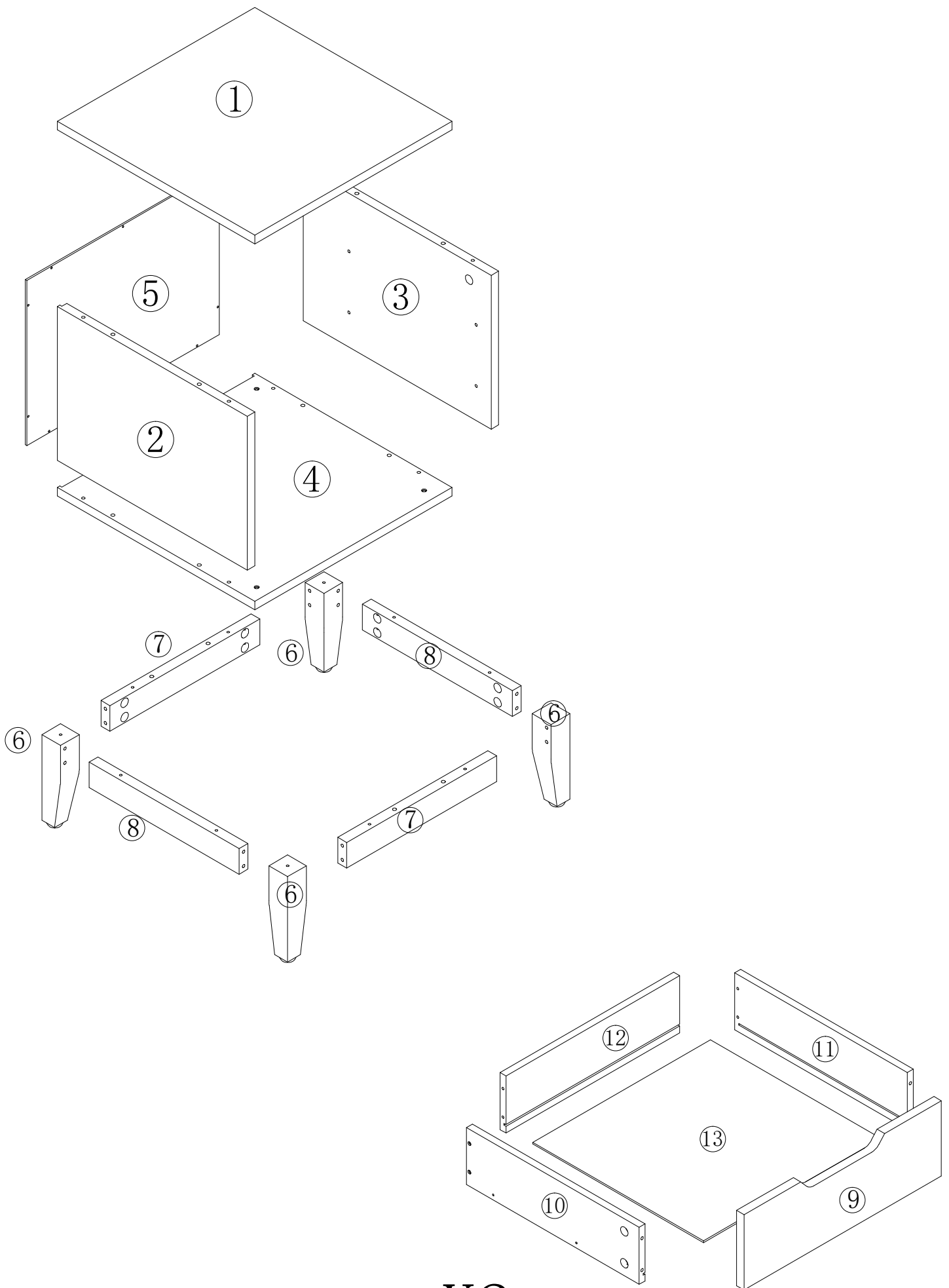


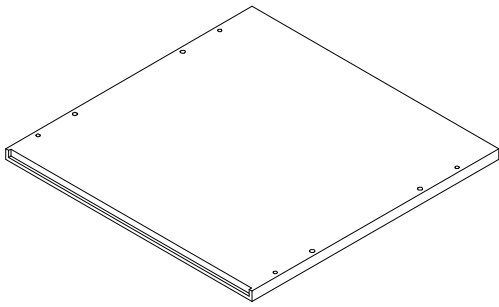
30min



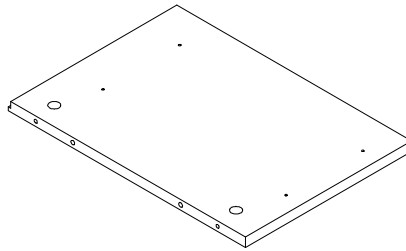


X2

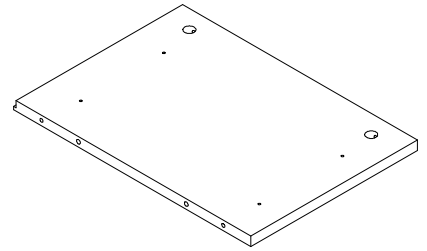
① x1



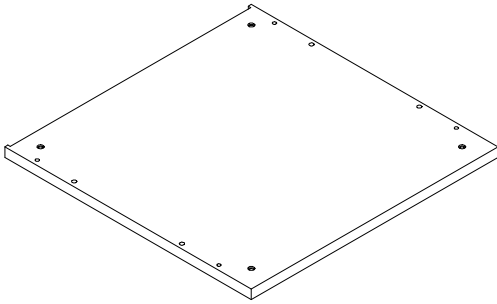
② x1



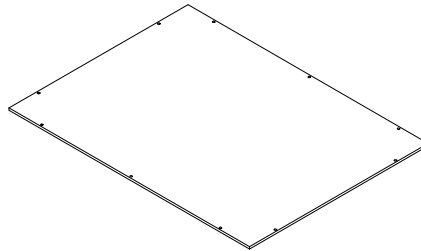
③ x1



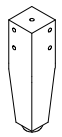
④ x1



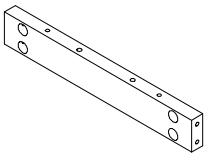
⑤ x1



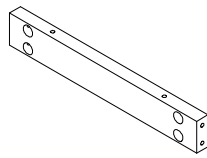
⑥ x4



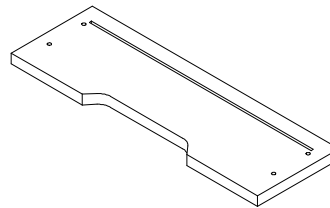
⑦ x2



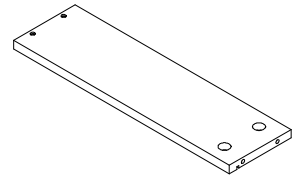
⑧ x2



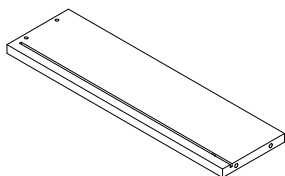
⑨ x2



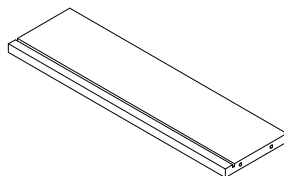
⑩ x2



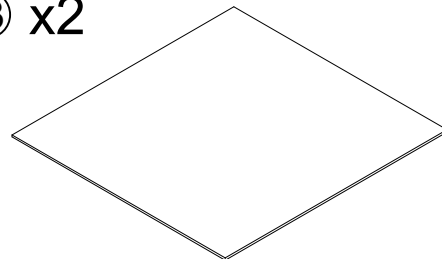
⑪ x2




⑫ x2




⑬ x2



A(x12)  6x30mm


F(x8)  4x30mm


K(x2) 

B(x28)  6x35mm

G(x8)  5x40mm


L(x2) 


C(x20)  15x12mm


H(x10)  2.5x10mm

M(x2) 

D(x8)  15x9.5mm

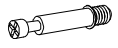
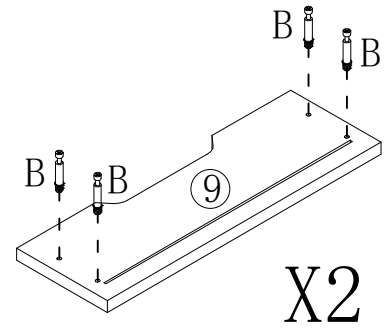
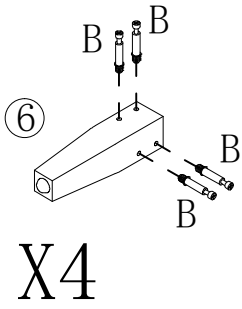
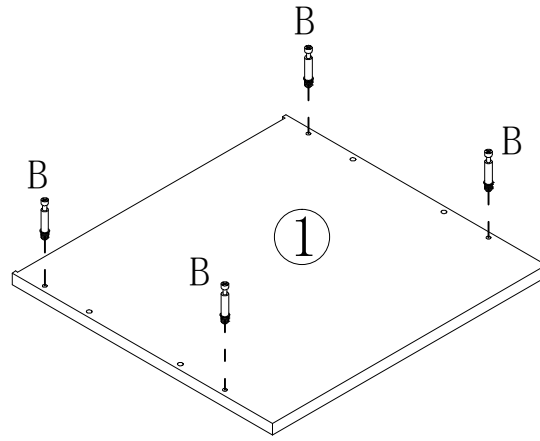
I(x1) 

N(x8)  4x35mm

E(x16)  3x12mm

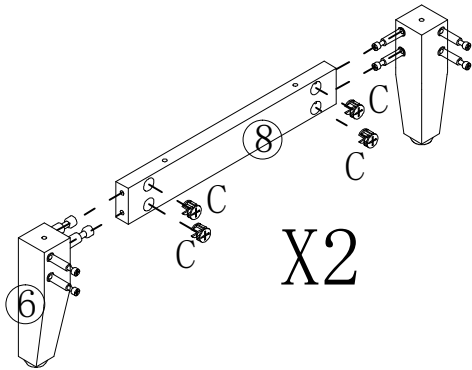
J(x2) 

1

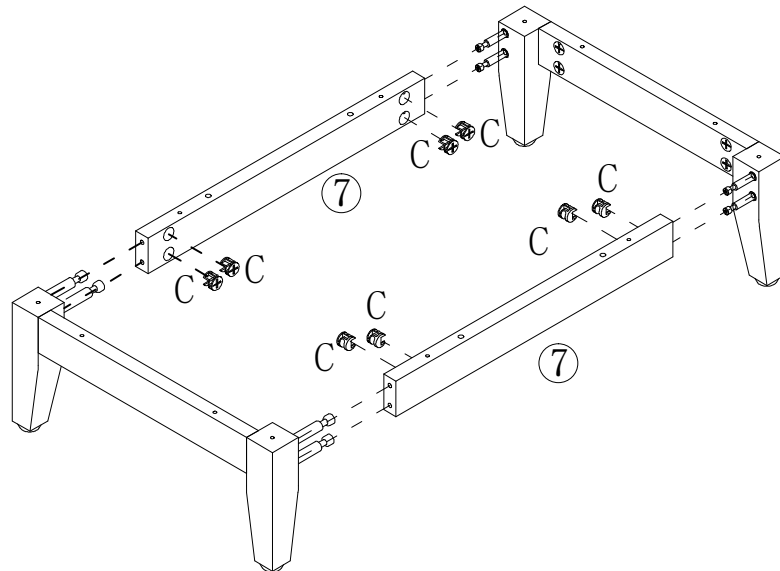


(B)x28pcs

2

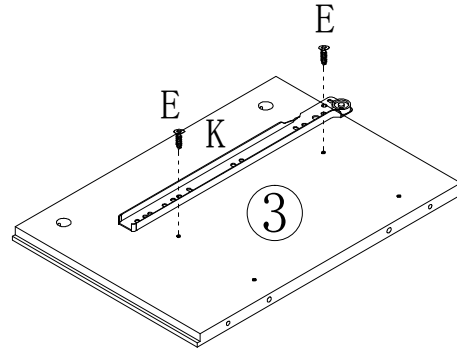
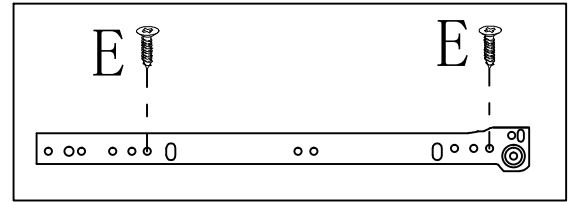
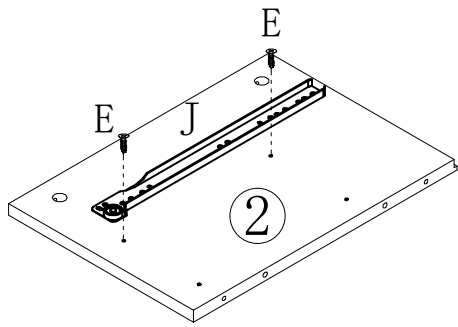


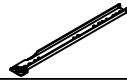
X2

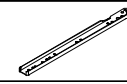



(C)x16pcs

3

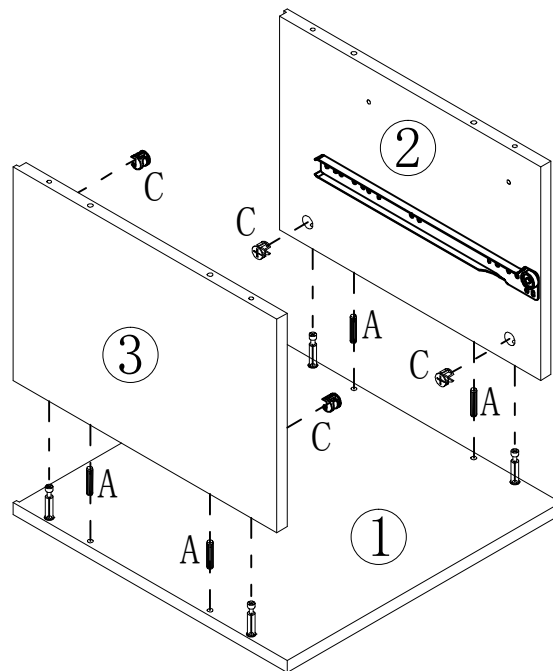



 (J)x1pcs


 (K)x1pcs

 (E)x4pcs

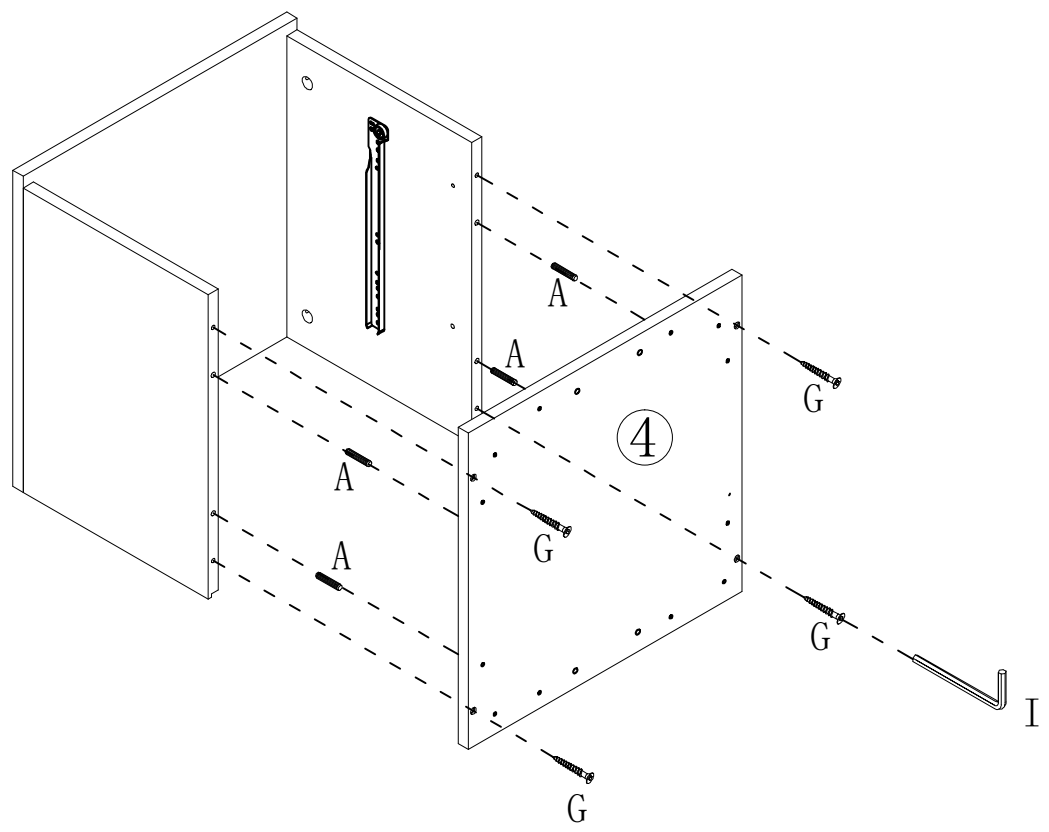
4






 (A)x4pcs

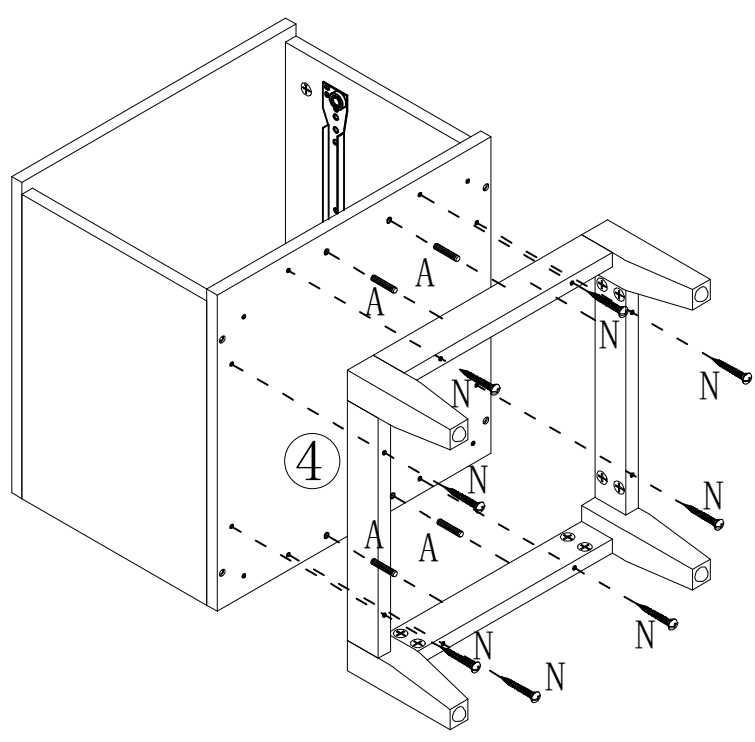
 (C)x4pcs

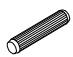

5



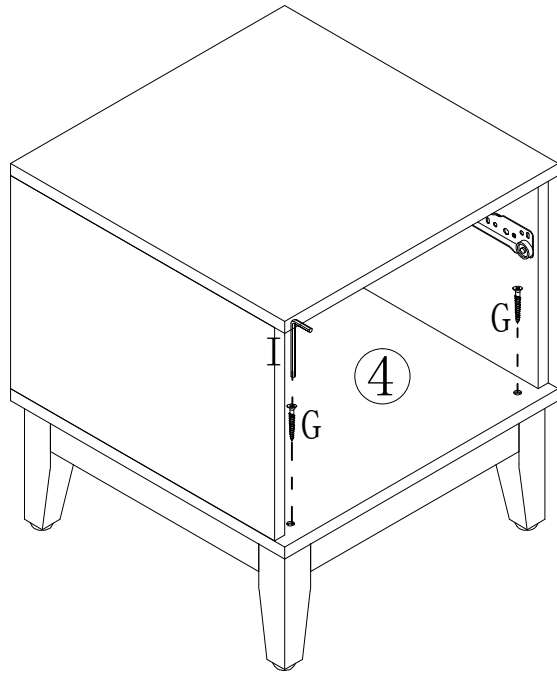
	(A)x4cs
	(G)x4pcs
	(I)x1pcs

6



	(A)x4pcs
	(N)x8pcs

7

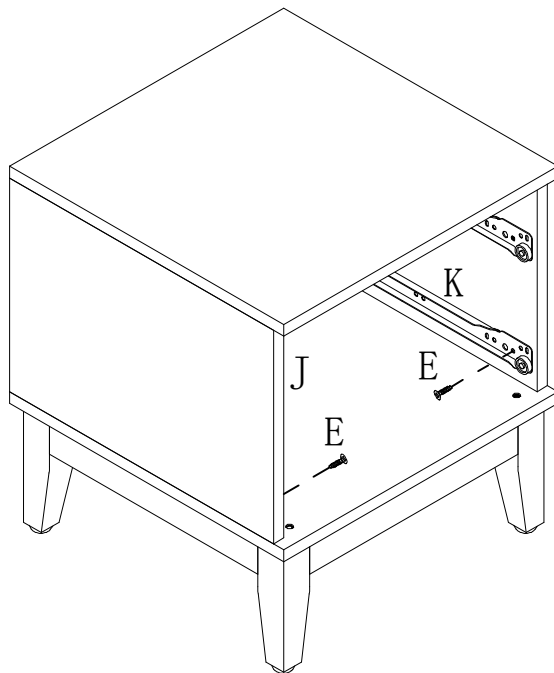
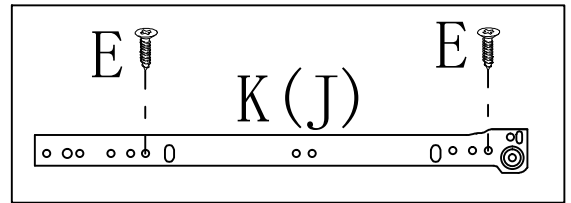


(G)x4pcs

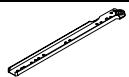


(L)x1pcs

8



(J)x1pcs

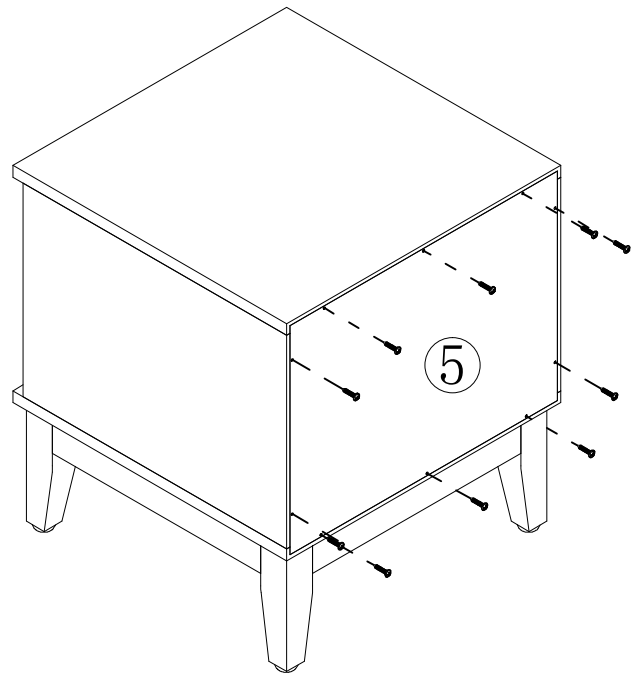



(K)x1pcs



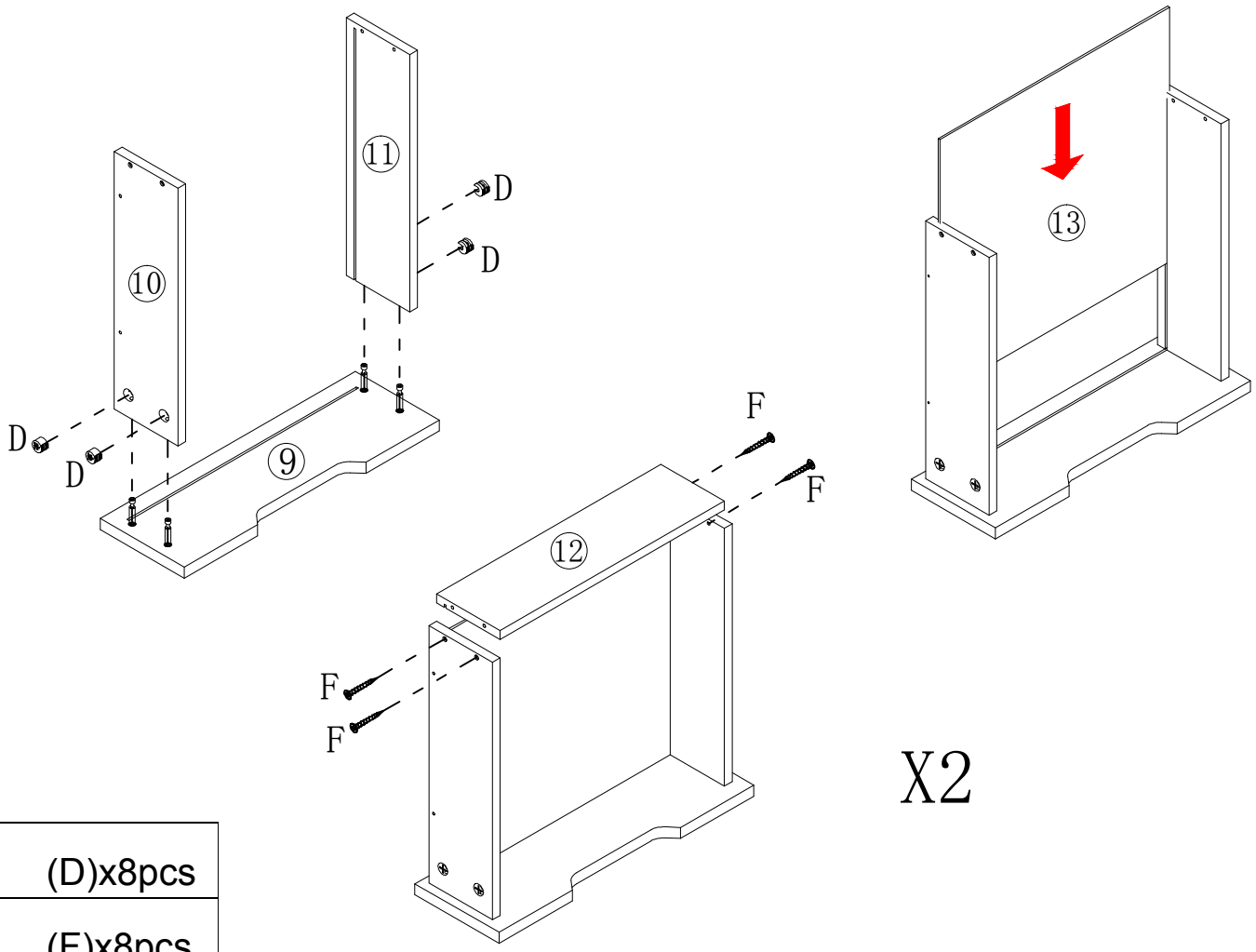
(E)x4pcs


9




 (H)x10pcs

10

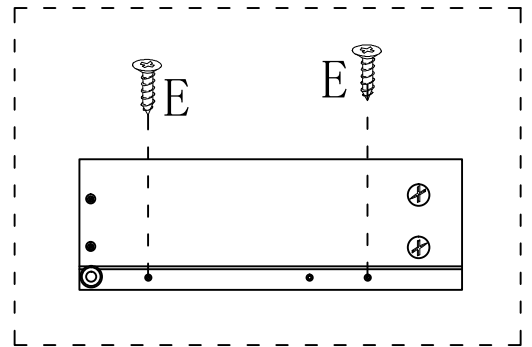
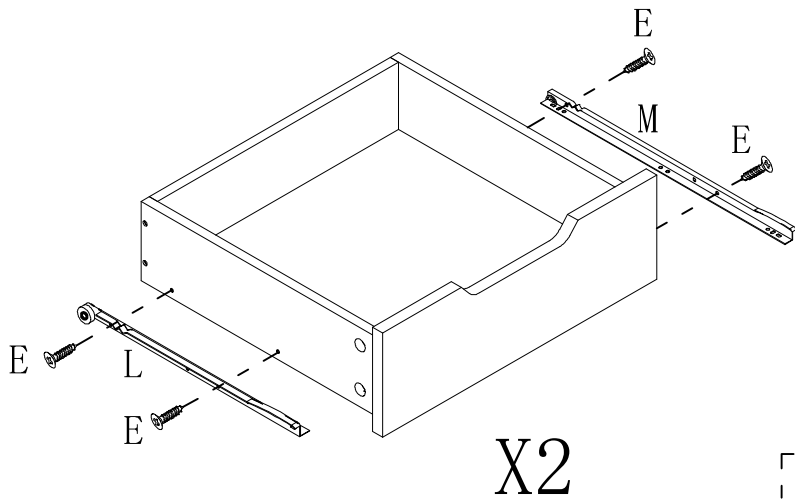


 (D)x8pcs

 (F)x8pcs



11



- |  |          |
|--|----------|
|  | (L)x2pcs |
|  | (M)x2pcs |
|  | (E)x8pcs |

12

