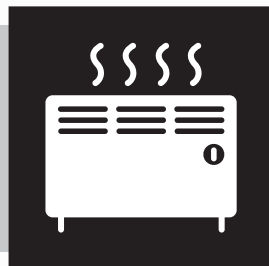




VONROC®

BUILD YOUR FUTURE

**GLASS PANEL CONVECTOR HEATER
CH510AC / CH511AC / CH512AC
BLACK / GREY / WHITE**



EN Original Instructions	06	NO Oversatt fra original veiledning	75
DE Übersetzung Der Originalbetriebsanleitung	14	DA Oversættelse af den originale brugsanvisning	83
NL Vertaling van de oorspronkelijke gebruiksaanwijzing	23	PL Tłumaczenie instrukcji oryginalnej	91
FR Traduction de la notice originale	32	RO Traducere a instrucțiunilor originale	100
ES Traducción del manual original	41	PT Tradução do manual original	109
IT Traduzione delle istruzioni originali	50	HU Eredeti használati utasítás fordítása	118
SV Översättning av bruksanvisning i original	59	CS Překlad původního návodu k používání	127
FI Alkuperäisten ohjeiden käännös	67		

A



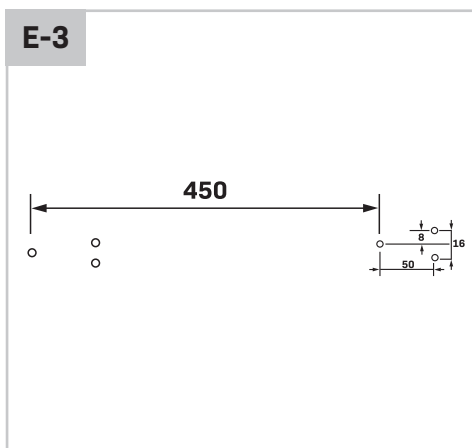
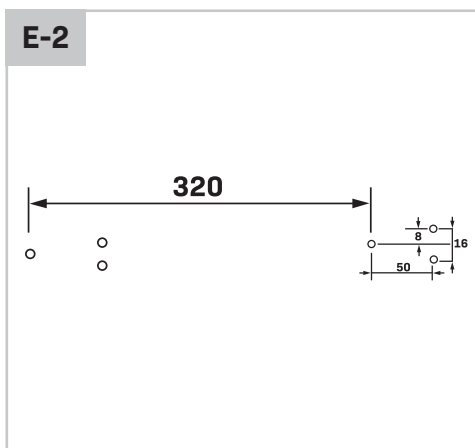
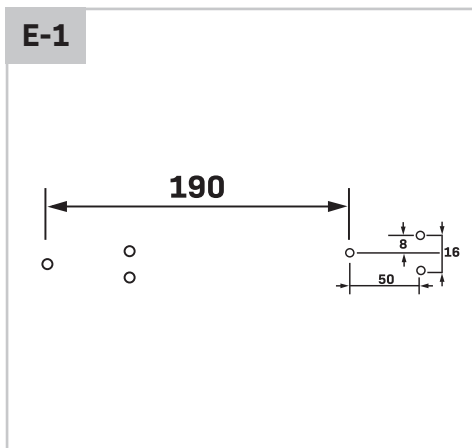
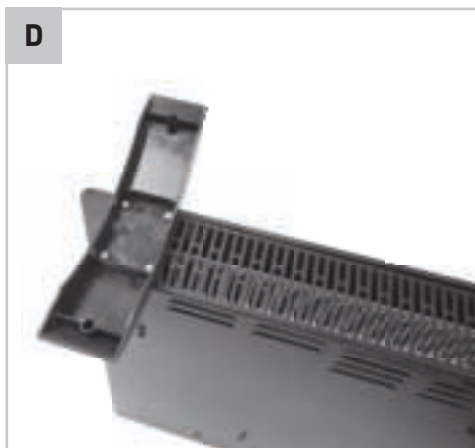
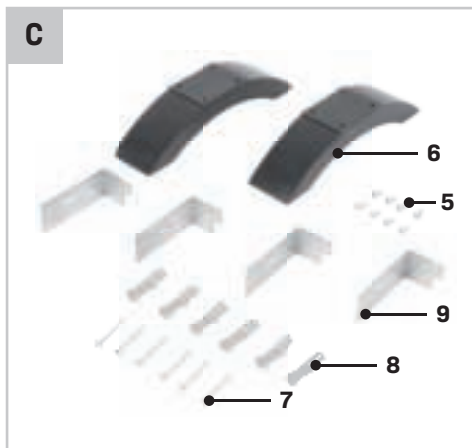
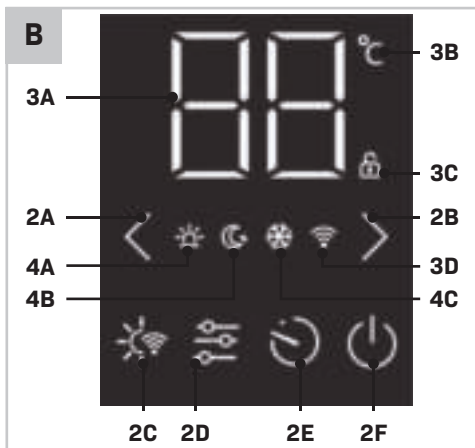
1



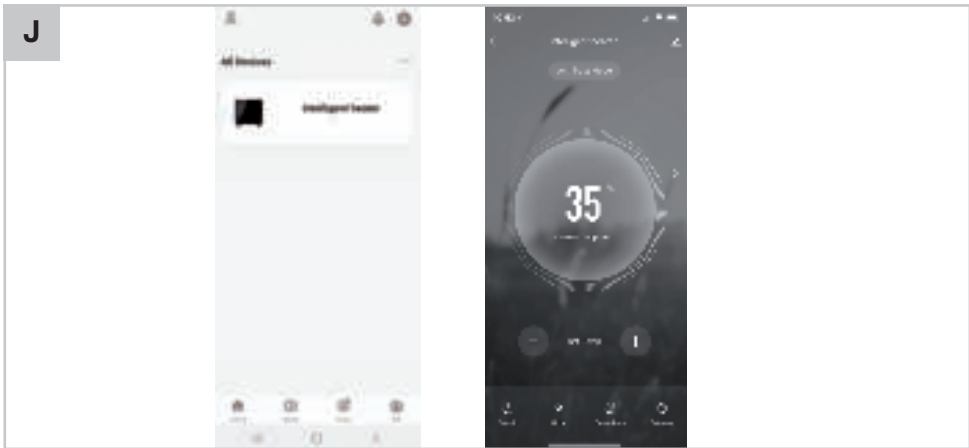
1



1







1. SAFETY INSTRUCTIONS

Read the enclosed safety warnings, the additional safety warnings and the instructions. Failure to follow the safety warnings and the instructions may result in electric shock, fire and/or serious injury. Save the safety warnings and the instructions for future reference.

The following symbols are used in the user manual or on the product:



Read the user manual.



Denotes risk of personal injury, loss of life or damage to the tool in case of non-observance of the instructions in this manual.



Denotes risk of electrical shock.



Important! WARNING: In order to avoid overheating, do not cover the heater.



Do not dispose of the product in unsuitable containers.



The product is in accordance with the applicable safety standards in the European directives.

GENERAL SAFETY WARNINGS

This appliance can be used by children aged from 8 years and above and persons with reduced physical, sensory or mental capabilities or lack of experience and knowledge if they have been given supervision or instruction concerning use of the appliance in a safe way and understand the hazards involved. Children shall not play with the appliance. Cleaning and user maintenance shall not be made by children without supervision.

Children of less than 3 years should be kept away unless continuously supervised.

Children aged from 3 years and less than 8 years shall only switch on/off the appliance provided that it has been placed or installed in its intended normal operating position and they have been given supervision or instruction concerning use of the appliance in a safe way and understand the hazards involved. Children aged from 3 years and less than

8 years shall not plug in, regulate and clean the appliance or perform user maintenance.



CAUTION — Some parts of this product can become very hot and cause burns. Particular attention has to be given where children and vulnerable people are present.

ADDITIONAL SAFETY WARNINGS FOR CONVECTOR PANEL HEATER

- Children should be kept away unless continuously supervised to ensure that they do not play with the machine.
- Children shall not plug in, position, operate, regulate and clean the appliance or perform user maintenance.
- CAUTION - some parts of this product can become very hot and cause burns. Particular attention has to be given where children and vulnerable people are present.
- The machine is not suitable for use outdoors, in bathrooms or in other wet or damp environments.
- Please note that the machine can become very hot and should, therefore, be placed at a safe distance from flammable object such as furniture, curtains and similar.
- Do not cover the heater.
- The machine must not be located immediately below a socket outlet
- Do not connect the machine using an on/off timer or other external equipment which can automatically switch the device on.
- The machine must not be placed/used in rooms where flammable liquids or gases are present.
- If an extension cord is used, it must be as short as possible and always be fully extended.
- You must not connect other appliances to the same mains socket as the machine
- Do not use the machine in immediate surroundings of a bath, a shower or a swimming pool.
- If the supply cord is damaged, it must be replaced by the manufacturer, its service agent or similarly qualified persons in order to avoid a hazard.
- Make sure the machine is always under surveillance and keep children and animals away from it.
- Do not place/use the machine on moving vehicles or somewhere easy to be tripped over.

- When the machine is not used for a long time, unplug the machine from its means. Pull by the plug, never remove the plug by pulling the cord.
- Keep the machine far from curtain or places where the air inlet can easily be blocked.
- In order to prevent possible electric shock or leakage current, never use the machine with wet hand or operate the machine when there is water on the power cord.
- Do not dispose of electrical appliances as unsorted municipal waste, use separate collection facilities. Contact your local government for information regarding the collection systems available. If electrical appliances are disposed of in landfills or dumps, hazardous substances can leak into the groundwater and get into the food chain, damaging your health and well-being.
- This appliance is not intended for use by persons (including children) with reduced physical, sensory or mental capabilities, or lack of experience and knowledge, unless they have been given supervision or instruction concerning use of the appliance by a person responsible for their safety.

Electrical safety

When using electric machines always observe the safety regulations applicable in your country to reduce the risk of fire, electric shock and personal injury. Read the following safety instructions and also the enclosed safety instructions. Always check that the voltage of the power supply corresponds to the voltage on the rating plate label.

If operating a power tool in a damp location is unavoidable, use a residual current device (RCD) protected supply. Use of an RCD reduces the risk of electric shock.

2. MACHINE INFORMATION

Intended use

The glass panel convector heater is intended for indoor use only. The machine must be placed on a stable surface or securely mounted to a wall using the included brackets. The machine can be operated via the manual controls on the front panel, or it can be operated remotely over a Wifi network. The heater is equipped with a thermostat and safety features such as tip-over protection and over-heat protection.

TECHNICAL SPECIFICATIONS

Model No.	CH510AC CH510AC_GREY CH510AC_WHITE
Power supply	230V~ / 50/60Hz
Power rating	1000W
Heater settings	500W / 1000W
Thermostat range	5°C - 50°C
IP rating	IP24
WiFi frequency	2.4Ghz

Model No.	CH511AC CH511AC_GREY CH511AC_WHITE
Power supply	230V~ / 50/60Hz
Power rating	1500W
Heater settings	750W / 1500W
Thermostat range	5°C - 50°C
IP rating	IP24
WiFi frequency	2.4Ghz

Model No.	CH512AC CH512AC_GREY CH512AC_WHITE
Power supply	230V~ / 50/60Hz
Power rating	2000W
Heater settings	1000W / 2000W
Thermostat range	5°C - 50°C
IP rating	IP24
WiFi frequency	2.4Ghz

DESCRIPTION

The numbers in the text below refer to the numbers used in figures A1, A2, A3, B, C on page 2-3.

1. Glass panel convector heater
2. Control buttons
 - A. Down
 - B. Up
 - C. WiFi / Brightness
 - D. Mode
 - E. Timer
 - F. On / Off

3. Status display
 - A. Temperature / Timer setting
 - B. Temperature indicator
 - C. Control lock
 - D. WiFi
4. Operating mode indicators
 - A. Comfort mode
 - B. Eco mode
 - C. Anti-frost mode
5. Screw
6. Floor stand
7. Wall mounting screw
8. Wall plug
9. Wall mounting bracket

3. OPERATION



Check the device for damage before use and only use in good working condition.

When using the heater for the first time, you may notice a slight smell originating from the heating element. This is quite normal and it should disappear after using the heater for some time.

Placing the convector panel heater on the floor (fig. D)

- Install the floor stands (6) on the underside of the heater (1) using the supplied screws (5) (fig. D)
- Place the heater upright on a firm and level surface.
- Keep a minimum distance of 1m from combustible materials (furniture, curtains, etc.). Keep away from wet environments.



Warning! Make sure to place the heater in a safe spot, so you cannot easily trip over the machine and cable. Make sure to place the heater where it cannot fall down.

Mounting the convector panel heater on the wall (fig. E-1, E-2, E-3, F-1, F-2, F-3)

- Observe the hole patterns in fig. E-1, E-2, E-3. Find the hole pattern that corresponds to your heater.
 - For CH510AC / CH510AC_GREY / CH510AC_WHITE see fig. E-1
 - For CH511AC / CH511AC_GREY / CH511AC_WHITE see fig. E-2
 - For CH512AC / CH512AC_GREY / CH512AC_WHITE see fig. E-3

- Install two wall mounting brackets (9) on the wall using the included screws (7) (fig. F-1). Use the included wall plugs (8) when installing onto a concrete/brick wall. Refer to the aforementioned hole pattern to ensure the correct spacing between the brackets.
- Install two wall mounting brackets (9) on the underside of the heater (1) using the included screws (5) (fig. F-2). The installed brackets will act as a stand-off to ensure the heater will be positioned at the correct distance from the wall.
- Mount the convector heater panel to the wall by sliding it onto wall brackets (fig. F-3).

Starting the convector panel heater (fig. B)

- Plug in the cable to the mains power outlet.
- Press the On/Off button (2F) on the control panel. The control panel will now be activated.
- Use the Mode button (2D) to cycle between operating modes. The selected operating mode is displayed by the indicators 4A, 4B or 4C on the control panel. The available modes are:

4A	Comfort mode	Heating at full power
4B	Eco mode	Heating at 50% power
4C	Anti-frost mode	Heating off, unless ambient temperature drops below 5°C

Adjusting the temperature (fig. B)

- By default, the ambient temperature is shown on the display. Press the Down or Up button (2A or 2B) once to display the target temperature. The target temperature will flash.
- While the target temperature is flashing, it may be adjusted between 5°C and 50°C by pressing the Down or Up buttons (2A or 2B).
- The target temperature will keep flashing for 5 seconds after the last button press, then the display will revert to the default state showing the ambient temperature.
- Note that the target temperature can not be adjusted while the heater is in Anti-frost mode. The target temperature is fixed to 5°C in this operating mode. The operating mode must first be changed to Comfort mode or Eco mode before the target temperature can be adjusted.

Control panel lock (fig. B)

The control panel may be locked to prevent accidental or unauthorized adjustments to the heater settings. To lock the control panel, press and hold the Up button (2B) for 3 seconds.

The heater will beep and the Control lock indicator (3C) will light up to signal that the control panel is locked. To disable the control panel lock, press and hold the Down button (2A) for 3 seconds.

Constant room temperature

The heater starts and stops automatically to keep the room temperature constant. Once the ambient temperature in the room reaches the desired target temperature, the heating element will be switched off. Once the ambient temperature starts to decrease, the heating element will be switched on again.

Automatic overheat-safety control

This heater is equipped with an internal safety thermostat and overheat protection circuit. When a potential overheat temperature is reached, the system will automatically shut the heater off.

Stopping the convector panel heater (Fig. B)

Press the On/Off button (2F) on the control panel. The heater will be put into standby-mode. The heating element will be switched off and the control panel will be de-activated.

Storing the convector panel heater

Always let the heater cool down completely before moving or storing the heater. Make sure the heater is unplugged from mains power while in storage.



Warning. Do not store the machine in a wet environment. Protect the machine from dust while in storage.

After a prolonged time in storage, always check to make sure the heating element is clean and free from dust before using the heater again.

4. REMOTE OPERATION

In addition to the aforementioned manual operation, the panel convector heater can also be operated remotely over a WiFi network using your smart phone or tablet. The required app can be downloaded and used free of charge.

Downloading the app to your phone or tablet (fig. G)

- Scan the QR-code (fig. G) on your phone or tablet to download and install the “Smart Life” app.

- If you can't or don't want to use the QR-code you may also install the app manually. To do this, visit the Google Play Store or Apple App Store on your phone or tablet. Search for the “Smart Life” app (fig. G)
- After the app has been installed you will need a “Smart Life” account to login. If you do not yet have an account, you may create one (free of charge) by tapping the ‘Register’ button in the app.

Pairing your panel convector heater with the “Smart Life” app (fig. H, I)

- Put the heater into standby-mode by pressing the On/Off button (2F). The heater display will be switched off, only the On/Off button will remain lit.
- Press and hold the WiFi/Brightness button (2C) for at least 3 seconds. The WiFi status indicator (3D) will start flashing.
- While the WiFi status indicator is flashing, open the app on your phone or tablet and press Add a Device.
- Select the device type, in this case Small appliances -> Heater. Confirm in the app that the WiFi status indicator on the heater is flashing.
- You will be prompted by the app to select a WiFi network and enter the WiFi password. The app will send these details to the heater, allowing the heater to establish a connection to your WiFi network.

Using the “Smart Life” app (fig. J)

The “Smart Life” app can be used to control many different devices. The status of each device is displayed on the device list. The following states are possible for the convector panel heater:

- Offline (The device is not powered, or not connected to the WiFi network)
- Turned Off (Power and network connection are available, heating is currently disabled)
- Turned On (Power and network connection are available, heating is enabled)

When the heater is online (either Turned Off or Turned On) tap the device name in the app to open the control interface.

Note: when the heater is offline you will not be able to open the control interface.

- Use the Mode button to change the operating mode of the heater. The available modes are:

Comfort mode	Heating at full power
Eco mode	Heating at 50% power
Anti-frost mode	Heating off, unless ambient temperature drops below 5°C
- Use the '+' and '-' buttons to adjust the target temperature.

5. MAINTENANCE



Before cleaning and maintenance, always switch off the machine and remove the mains plug from the mains.

Cleaning



Let the machine cool down completely before cleaning.

- Wipe the enclosure with a soft cloth. For very dirty parts, wipe with a damp cloth, then use a clean, dry cloth to fully dry. Be careful not to let any water enter the inside of the appliance
- In order to protect the heater, don't splash water onto the heater, and never use chemical solvents or aggressive cleaning products.

Storage

- Allow the heater to cool down completely before storing it.
- Store the heater in a dry, well ventilated space

ENVIRONMENT



Faulty and/or discarded electrical or electronic apparatus have to be collected at the appropriate recycling locations.

Only for EC countries

Do not dispose of power tools into domestic waste. According to the European Guideline 2012/19/EU for Waste Electrical and Electronic Equipment and its implementation into national right, power tools that are no longer usable must be collected separately and disposed of in an environmentally friendly way.

WARRANTY

VONROC products are developed to the highest quality standards and are guaranteed free of defects in both materials and workmanship for the period lawfully stipulated starting from the date of original purchase. Should the product develop any failure during this period due to defective material and/or workmanship then contact VONROC directly.

The following circumstances are excluded from this guarantee:

- Repairs and or alterations have been made or attempted to the machine by unauthorized service centers;
- Normal wear and tear;
- The tool has been abused, misused or improperly maintained;
- Non-original spare parts have been used.

This constitutes the sole warranty made by company either expressed or implied. There are no other warranties expressed or implied which extend beyond the face hereof, herein, including the implied warranties of merchantability and fitness for a particular purpose. In no event shall VONROC be liable for any incidental or consequential damages. The dealers remedies shall be limited to repair or replacement of nonconforming units or parts.

The product and the user manual are subject to change. Specifications can be changed without further notice.

Model identifier(s): CH510AC, CH510AC_GREY, CH510AC_WHITE					
Item	Symbol	Value	Unit	Item	Unit
Heat output				Type of heat input, for electric storage local space heaters only (select one)	
Nominal heat output	Pnom	1.0	kW	manual heat charge control, with integrated thermostat	No
Minimum heat output (indicative)	Pmin	0.5	kW	manual heat charge control with room and/or outdoor temperature feedback	No
Maximum continuous heat output	Pmax,c	1.0	kW	electronic heat charge control with room and/or outdoor temperature feedback	No
Auxiliary electricity consumption				fan assisted heat output	No
At nominal heat output	elmax	N/A	kW	Type of heat output/room temperature control (select one)	
At minimum heat output	elmin	N/A	kW	single stage heat output and no room temperature control	No
In standby mode	eISB	0.00173	kW	Two or more manual stages, no room temperature control	No
				with mechanic thermostat room temperature control	No
				with electronic room temperature control	No
				electronic room temperature control plus day timer	No
				electronic room temperature control plus week timer	Yes
				Other control options (multiple selections possible)	
				room temperature control, with presence detection	No
				room temperature control, with open window detection	Yes
				with distance control option	Yes
				with adaptive start control	No
				with working time limitation	Yes
				with black bulb sensor	No
Contact details	VONROC • Lingenstraat 6 • 8028 PM • Zwolle • The Netherlands				

Model identifier(s): CH511AC, CH511AC_GREY, CH511AC_WHITE					
Item	Symbol	Value	Unit	Item	Unit
Heat output				Type of heat input, for electric storage local space heaters only (select one)	
Nominal heat output	Pnom	1.5	kW	manual heat charge control, with integrated thermostat	No
Minimum heat output (indicative)	Pmin	0.75	kW	manual heat charge control with room and/or outdoor temperature feedback	No
Maximum continuous heat output	Pmax,c	1.5	kW	electronic heat charge control with room and/or outdoor temperature feedback	No
Auxiliary electricity consumption				fan assisted heat output	No
At nominal heat output	elmax	N/A	kW	Type of heat output/room temperature control (select one)	
At minimum heat output	elmin	N/A	kW	single stage heat output and no room temperature control	No
In standby mode	eISB	0.00173	kW	Two or more manual stages, no room temperature control	No
				with mechanic thermostat room temperature control	No
				with electronic room temperature control	No
				electronic room temperature control plus day timer	No
				electronic room temperature control plus week timer	Yes
				Other control options (multiple selections possible)	
				room temperature control, with presence detection	No
				room temperature control, with open window detection	Yes
				with distance control option	Yes
				with adaptive start control	No
				with working time limitation	Yes
				with black bulb sensor	No
Contact details	VONROC • Lingenstraat 6 • 8028 PM • Zwolle • The Netherlands				

Model identifier(s): CH512AC, CH512AC_GREY, CH512AC_WHITE					
Item	Symbol	Value	Unit	Item	Unit
Heat output				Type of heat input, for electric storage local space heaters only (select one)	
Nominal heat output	Pnom	2.0	kW	manual heat charge control, with integrated thermostat	No
Minimum heat output (indicative)	Pmin	1.0	kW	manual heat charge control with room and/or outdoor temperature feedback	No
Maximum continuous heat output	Pmax,c	2.0	kW	electronic heat charge control with room and/or outdoor temperature feedback	No
Auxiliary electricity consumption				fan assisted heat output	No
At nominal heat output	elmax	N/A	kW	Type of heat output/room temperature control (select one)	
At minimum heat output	elmin	N/A	kW	single stage heat output and no room temperature control	No
In standby mode	eISB	0.00173	kW	Two or more manual stages, no room temperature control	No
				with mechanic thermostat room temperature control	No
				with electronic room temperature control	No
				electronic room temperature control plus day timer	No
				electronic room temperature control plus week timer	Yes
				Other control options (multiple selections possible)	
				room temperature control, with presence detection	No
				room temperature control, with open window detection	Yes
				with distance control option	Yes
				with adaptive start control	No
				with working time limitation	Yes
				with black bulb sensor	No
Contact details	VONROC • Lingenstraat 6 • 8028 PM • Zwolle • The Netherlands				

1. SICHERHEITSHINWEISE

Lesen Sie die beigefügten Sicherheitswarnungen, die zusätzlichen Sicherheitswarnungen und die Anweisungen. Die Nichteinhaltung der Sicherheitswarnungen und der Anweisungen kann in einem Stromschlag, Brand und/oder in schweren Verletzungen resultieren. Bewahren Sie die Sicherheitswarnungen und Anweisungen für künftige Referenzzwecke auf.

Die folgenden Symbole werden im Benutzerhandbuch oder auf dem Produkt verwendet:



Lesen Sie das Benutzerhandbuch.



Bedeutet, dass bei Nichtbeachtung der Anweisungen in dieser Anleitung Verletzungen, Tod oder Beschädigung des Werkzeugs die Folge sein können.



Weist auf ein Stromschlagrisiko hin.



Wichtig! WARNUNG: Das Heizgerät nicht abdecken, um eine Überhitzung zu vermeiden.



Das Produkt nicht in ungeeigneten Behältern entsorgen.



Das Produkt entspricht den geltenden Sicherheitsstandards in den europäischen Richtlinien.

ALLGEMEINE SICHERHEITSWARNUNGEN

Dieses Gerät darf von Kindern ab 8 Jahren und Personen mit eingeschränkten körperlichen, sensorischen oder geistigen Fähigkeiten oder fehlender Erfahrung und Kenntnissen benutzt werden, wenn sie in sicherer Weise beaufsichtigt oder eingewiesen wurden und die damit verbundenen Gefahren verstehen. Kinder dürfen nicht mit dem Gerät spielen. Die Reinigung und Pflege durch den Benutzer darf von Kindern nicht ohne Aufsicht durchgeführt werden.

Kinder unter 3 Jahren sollten von diesem Produkt ferngehalten werden, sofern sie nicht ständig beaufsichtigt werden. Kinder zwischen 3 und 8 Jahren dürfen das Gerät

nur ein- bzw. ausschalten, wenn das Gerät in seiner vorgesehenen normalen Betriebsposition aufgestellt bzw. installiert wurde und die Kinder in der sicheren Verwendung des Geräts unterwiesen wurden und die entsprechenden Gefahren verstehen oder wenn sie dabei beaufsichtigt werden. Kinder zwischen 3 und 8 Jahren dürfen das Gerät nicht mit der Stromversorgung verbinden und keine Einstellungs-, Reinigungs- oder Wartungsarbeiten daran vornehmen.



VORSICHT – Einige Teile dieses Produkts können sehr heiß werden und Verbrennungen verursachen. Besondere Aufmerksamkeit ist geboten, wenn Kinder und schutzbedürftige Personen anwesend sind.

ZUSÄTZLICHE SICHERHEITSHINWEISE FÜR KONVEKTOR-FLÄCHENHEIZGERÄTE

- Nicht dauerhaft beaufsichtigte Kinder müssen ferngehalten werden, um sicherzustellen, dass sie nicht mit dem Gerät spielen.
- Kinder dürfen das Gerät nicht anschließen, aufstellen, bedienen, regulieren und reinigen oder Wartungsarbeiten durchführen.
- VORSICHT – Einige Teile dieses Produkts können sehr heiß werden und Verbrennungen verursachen. Besondere Aufmerksamkeit ist geboten, wenn Kinder und schutzbedürftige Personen anwesend sind.
- Das Gerät ist nicht für den Einsatz im Freien, in Badezimmern oder in anderen nassen oder feuchten Umgebungen geeignet.
- Bitte beachten Sie, dass das Gerät sehr heiß werden kann und daher in sicherem Abstand zu brennbaren Gegenständen wie Möbeln, Vorhängen und Ähnlichem aufgestellt werden sollte.
- Das Heizgerät nicht abdecken.
- Das Gerät darf nicht unmittelbar unter einer Steckdose aufgestellt werden
- Das Gerät nicht mit einem Ein-/Aus-Timer oder anderen externen Geräten anschließen, die das Gerät automatisch einschalten können.
- Das Gerät darf nicht in Räumen aufgestellt/verwendet werden, in denen brennbare Flüssigkeiten oder Gase vorhanden sind.
- Wenn ein Verlängerungskabel verwendet wird, muss es so kurz wie möglich und immer vollständig ausgezogen sein.
- Sie dürfen keine anderen Geräte an dieselbe Netzsteckdose wie das Gerät anschließen.

- Das Gerät nicht in unmittelbarer Nähe von Bädern, Duschen oder Swimmingpools verwenden.
- Wenn das Netzkabel beschädigt ist, muss es vom Hersteller, seinem Kundendienst oder einer ähnlich qualifizierten Person ausgetauscht werden, um eine Gefährdung zu vermeiden.
- Sicherstellen, dass das Gerät ständig überwacht wird, und Kinder und Tiere von dem Gerät fernhalten.
- Das Gerät nicht auf fahrende Fahrzeuge oder stellen oder so aufstellen, dass leicht darüber gestolpert werden kann.
- Wenn das Gerät längere Zeit nicht benutzt wird, den Netzstecker aus der Steckdose ziehen. Das Kabel am Stecker herausziehen, niemals am Kabel selbst ziehen.
- Das Gerät von Vorhängen oder Orten fernhalten, an denen der Lufteinlass leicht blockiert werden kann.
- Das Gerät niemals mit nassen Händen verwenden und das Gerät niemals bedienen, wenn sich Wasser auf dem Netzkabel befindet, um einen möglichen Stromschlag oder Leckstrom zu vermeiden.
- Elektrogeräte nicht über den Hausmüll entsorgen, sondern separate Sammelstellen nutzen. Informationen zu den verfügbaren Sammelsystemen erhalten Sie von Ihrer Gemeindeverwaltung. Bei der Entsorgung von Elektrogeräten in Deponien oder auf Halden können gefährliche Stoffe in das Grundwasser und in die Nahrungskette gelangen und Ihre Gesundheit und Ihr Wohlbefinden schädigen.
- Dieses Gerät ist nicht zur Verwendung durch Personen (einschließlich Kinder) mit eingeschränkten körperlichen, sensorischen oder geistigen Fähigkeiten oder mangelnder Erfahrung und mangelndem Wissen vorgesehen, es sei denn, sie wurden von einer für ihre Sicherheit verantwortlichen Person beaufsichtigt oder in die Verwendung des Geräts eingewiesen.

Elektrische Sicherheit

Bei der Verwendung von elektrischen Geräten müssen stets die sicherheitsrelevanten Bestimmungen Ihres Landes eingehalten werden, um die Gefahr von Feuer, Stromschlag und Verletzungen zu vermeiden. Lesen Sie die folgenden Sicherheitshinweise und auch die

beiliegenden Sicherheitshinweise. Immer prüfen, dass die Spannung der Stromversorgung der Spannung auf dem Typenschild entspricht.

Wenn der Betrieb eines Elektrogeräts in einer feuchten Umgebung unvermeidlich ist, verwenden Sie eine durch einen Fehlerstromschutzschalter geschützte Stromversorgung. Die Verwendung eines Fehlerstromschutzschalters senkt das Stromschlagrisiko.

2. GERÄTEDATEN

Verwendungszweck

Das Glasplatten-Konvektorheizgerät ist nur für die Verwendung in Innenräumen bestimmt. Das Gerät muss auf eine stabile Oberfläche gestellt oder mit den mitgelieferten Halterungen sicher an einer Wand befestigt werden. Das Gerät kann über die manuellen Bedienelemente an der Vorderseite oder über ein WLAN-Netzwerk fernbedient werden. Das Heizgerät ist mit einem Thermostat und Sicherheitsmerkmalen wie Umkippschutz und Überhitzungsschutz ausgestattet.

TECHNISCHE DATEN

Modellnr.	CH510AC CH510AC_GREY CH510AC_WHITE
Stromversorgung	230V~ / 50/60Hz
Nennleistung	1000 W
Heizgeräteeinstellungen	500 W / 1000 W
Thermostatbereich	5°C - 50°C
IP-Schutzklasse	IP24
WLAN-Frequenz	2,4 GHz

Modellnr.	CH511AC CH511AC_GREY CH511AC_WHITE
Stromversorgung	230V~ / 50/60Hz
Nennleistung	1500 W
Heizgeräteeinstellungen	750W / 1500W
Thermostatbereich	5°C - 50°C
IP-Schutzklasse	IP24
WLAN-Frequenz	2,4 GHz

Modellnr.	CH512AC CH512AC_GREY CH512AC_WHITE
Stromversorgung	230V~ / 50/60Hz
Nennleistung	2000 W
Heizgeräteinstellungen	1000W / 2000W
Thermostatbereich	5°C - 50°C
IP-Schutzklasse	IP24
WLAN-Frequenz	2,4 GHz

BESCHREIBUNG

Die Zahlen im folgenden Text beziehen sich auf die Zahlen in den Abbildungen A1, A2, A3, B, C auf den Seiten 2-3.

1. Glasplatten-Konvektorheizgerät
2. Bedientasten
 - A. Abwärts
 - B. Aufwärts
 - C. WLAN / Helligkeit
 - D. Modus
 - E. Timer
 - F. Ein / Aus
3. Statusanzeige
 - A. Temperatur- / Timereinstellung
 - B. Temperaturanzeige
 - C. Bedienelementsperr
 - D. WLAN
4. Betriebsmodusanzeiger
 - A. Komfort-Modus
 - B. Eco-Modus
 - C. Frostschutz-Modus
5. Schraube
6. Standfuß
7. Schraube für Wandmontage
8. Wanddübel
9. Halterung für Wandmontage

3. BETRIEB



Das Gerät vor dem Gebrauch auf Beschädigungen prüfen und nur in einwandfreiem Zustand nutzen.

Bei der erstmaligen Nutzung des Heizgeräts ist möglicherweise ein leichter, vom Heizelement ausgehender Geruch feststellbar. Das ist normal und sollte nach einiger Zeit der Benutzung des Heizgerätes aufhören.

Aufstellen des Konvektor-Flächenheizgeräts auf dem Boden (Abb. D)

- Montieren Sie den Standfuß (6) mit den mitgelieferten Schrauben (5) an der Unterseite des Heizgeräts (1) (Abb. D).
- Stellen Sie das Heizgerät aufrecht auf eine feste und ebene Fläche.
- Halten Sie einen Mindestabstand von 1 m zu brennbaren Materialien (Möbel, Vorhänge usw.) ein. Vor Nässe schützen.



Warnung! Sicherstellen, dass das Heizgerät an einem sicheren Ort aufgestellt wird, damit das Gerät und das Kabel keine Stolperfalle darstellen. Sicherstellen, dass das Heizgerät nicht herunterfallen kann.

Montage des Konvektor-Flächenheizgeräts an der Wand (Abb. E-1, E-2, E-3, F-1, F-2, F-3)

- Beachten Sie die Lochmuster in Abb. E-1, E-2, E-3. Suchen Sie nach dem Lochmuster, das zu Ihrem Heizgerät passt.
 - Für CH510AC / CH510AC_GREY / CH510AC_WHITE siehe Abb. E-1
 - Für CH511AC / CH511AC_GREY / CH511AC_WHITE siehe Abb. E-2
 - Für CH512AC / CH512AC_GREY / CH512AC_WHITE siehe Abb. E-3
- Befestigen Sie zwei Halterung für Wandmontage (9) mit den mitgelieferten Schrauben (7) an der Wand (Abb. F-1). Verwenden Sie die mitgelieferten Wanddübel (8), wenn Sie das Gerät an einer Beton- oder Ziegelwand installieren. Nutzen Sie das zuvor erwähnte Lochmuster, um den richtigen Abstand zwischen den Halterungen zu gewährleisten.
- Befestigen Sie zwei Halterungen für die Wandmontage (9) mit den mitgelieferten Schrauben (5) an der Unterseite des Heizgeräts (1) (Abb. F-2). Die angebrachten Halterungen dienen als Abstandshalter, damit das Heizgerät im richtigen Abstand zur Wand positioniert wird.
- Befestigen Sie das Konvektor-Flächenheizgerät an der Wand, indem Sie es auf die Wandhalterungen schieben (Abb. F-3).

Einschalten des Konvektor-Flächenheizgeräts (Abb. B)

- Stecken Sie das Kabel in die Netzsteckdose.
- Drücken Sie den Ein-/Ausschalter (2F) am Bedienfeld. Dadurch wird das Bedienfeld aktiviert.

- Verwenden Sie die Modus-Taste (2D), um zwischen den Betriebsarten zu wechseln. Die gewählte Betriebsart wird auf dem Bedienfeld durch die Anzeigen 4A, 4B oder 4C angezeigt. Die verfügbaren Modi sind:

4A	Komfort-Modus	Heizen mit voller Leistung
4B	Eco-Modus	Heizen mit 50 % Leistung
4C	Frostschutz-Modus	Heizgerät aus, sofern die Umgebungstemperatur nicht unter 5 °C fällt

Einstellen der Temperatur (Abb. B)

- Standardmäßig wird auf dem Display die Umgebungstemperatur angezeigt. Drücken Sie die Abwärts- oder Aufwärts-Taste (2A oder 2B) einmal, um die Zieltemperatur anzuzeigen. Die Zieltemperatur wird daraufhin blinkend dargestellt.
- Während die Zieltemperatur blinkt, kann sie durch Drücken der Abwärts- oder Aufwärts-Taste (2A oder 2B) zwischen 5 °C und 50 °C eingestellt werden.
- Die Zieltemperatur blinkt nach dem letzten Tastendruck noch 5 Sekunden lang, dann kehrt das Display in den Standardzustand zurück und zeigt die Umgebungstemperatur an.
- Beachten Sie, dass die Zieltemperatur nicht eingestellt werden kann, wenn sich das Heizgerät im Frostschutz-Modus befindet. Die Zieltemperatur ist in dieser Betriebsart auf 5 °C festgelegt. Bevor die Zieltemperatur eingestellt werden kann, muss zunächst die Betriebsart auf Komfort- oder Eco-Modus geändert werden.

Bedienfeldsperre (Abb. B)

Das Bedienfeld kann gesperrt werden, um versehentliche oder unbefugte Änderungen an den Heizgeräteeinstellungen zu verhindern. Zum Sperren des Bedienfeldes halten Sie die Aufwärts-Taste (2B) für 3 Sekunden gedrückt. Das Heizgerät gibt einen Signalton ab und die Anzeige für die Bedienfeldsperre (3C) leuchtet auf, um anzuzeigen, dass das Bedienfeld gesperrt ist. Zum Deaktivieren der Bedienfeldsperre halten Sie die Abwärts-Taste (2A) für 3 Sekunden gedrückt.

Konstante Zimmertemperatur

Das Heizgerät startet und stoppt automatisch und hält so die Raumtemperatur konstant. Sobald die Umgebungstemperatur im Raum die gewünschte Zieltemperatur erreicht hat, wird das Heizelement ausgeschaltet. Sobald die Umgebungstemperatur zu sinken beginnt, schaltet sich das Heizelement wieder ein.

Automatische Überhitzungssicherung

Dieses Heizgerät ist mit einem internen Sicherheitsthermostat und einem Überhitzungsschutz ausgestattet. Wenn eine mögliche Überhitzungstemperatur erreicht ist, schaltet das System das Heizgerät automatisch ab.

Ausschalten des Konvektor-Flächenheizgeräts (Abb. B)

Drücken Sie Ein-/Ausschalter (2F) am Bedienfeld. Das Heizgerät wird in den Bereitschaftsmodus: versetzt. Das Heizelement wird ausgeschaltet und das Bedienfeld wird deaktiviert.

Lagerung des Konvektor-Flächenheizgeräts

Das Heizgerät immer vollständig abkühlen lassen, bevor Sie das Gerät bewegen oder lagern. Vergewissern Sie sich, dass das Heizgerät während der Lagerung nicht an das Stromnetz angeschlossen ist.



Warnung. Das Gerät nicht in feuchter Umgebung lagern. Schützen Sie das Gerät während der Lagerung vor Staub.

Überprüfen Sie nach längerer Lagerung immer, ob das Heizelement sauber und frei von Staub ist, bevor Sie das Heizgerät wieder benutzen.

4. FERNBEDIENUNG

Neben der erwähnten manuellen Bedienung kann das Konvektor-Flächenheizgerät auch mit Ihrem Smartphone oder Tablet über ein WLAN-Netzwerk fernbedient werden. Die dazu erforderliche App kann kostenlos heruntergeladen und genutzt werden.

Herunterladen der App auf Ihr Telefon oder Tablet (Abb. G)

- Scannen Sie den QR-Code (Abb. G) auf Ihrem Telefon oder Tablet, um die App „Smart Life“ herunterzuladen und zu installieren.

- Wenn Sie den QR-Code nicht verwenden können oder wollen, können Sie die App auch manuell installieren. Besuchen Sie dazu über Ihr Telefon oder Tablet den Google Play Store oder den Apple App Store. Suchen Sie nach der App „Smart Life“ (Abb. G)
- Nach der Installation der App benötigen Sie ein „Smart Life“-Konto, um sich anzumelden. Wenn Sie noch kein Konto haben, können Sie eines anlegen (kostenlos), indem Sie in der App auf die Schaltfläche „Registrieren“ tippen.

Kopplung Ihres Konvektor-Flächenheizgeräts mit der App „Smart Life“ (Abb. H, I)

- Schalten Sie das Heizgerät durch Drücken der Ein/Aus-Taste (2F) in den Bereitschaftsmodus. Das Display des Heizgeräts wird ausgeschaltet, nur die Ein/Aus-Taste leuchtet weiter.
- Halten Sie die Taste WLAN/Helligkeit (2C) mindestens 3 Sekunden lang gedrückt. Die WLAN-Statusanzeige (3D) beginnt zu blinken.
- Während die WLAN-Statusanzeige blinkt, öffnen Sie die App auf Ihrem Telefon oder Tablet und tippen Sie auf „Add a Device“ (Gerät hinzufügen).
- Wählen Sie den Gerätetyp, in diesem Fall „Small appliances -> Heater“ (Kleingeräte -> Heizgerät). Bestätigen Sie in der App, dass die WLAN-Statusanzeige am Heizgerät blinkt.
- Sie werden von der App aufgefordert, ein WLAN-Netzwerk auszuwählen und das WLAN-Passwort einzugeben. Die App sendet diese Daten an das Heizgerät, damit dieses eine Verbindung zu Ihrem WLAN-Netzwerk herstellen kann.

Verwendung der App „Smart Life“ (Abb. J)

Mit der App „Smart Life“ lassen sich viele verschiedene Geräte steuern. Der Status der einzelnen Geräte wird in der Geräteliste angezeigt. Für das Konvektor-Flächenheizgerät sind die folgenden Zustände möglich:

- Offline (Gerät ist nicht eingeschaltet oder nicht mit dem WLAN-Netzwerk verbunden)
- Ausgeschaltet (Strom und Netzwerkverbindung sind vorhanden, das Heizgerät ist derzeit deaktiviert)
- Einschaltet (Strom und Netzwerkverbindung sind vorhanden, das Heizgerät ist aktiviert)

Wenn das Heizgerät online ist (entweder „Ausgeschaltet“ oder „Eingeschaltet“), tippen Sie in der App auf den Gerätenamen, um die

Bedienoberfläche zu öffnen.

Hinweis: Wenn das Heizgerät offline ist, können Sie die Bedienoberfläche nicht öffnen.

- Verwenden Sie die Modus-Taste, um die Betriebsart des Heizgeräts zu ändern. Die verfügbaren Modi sind:

Komfort-Modus	Heizen mit voller Leistung
Eco-Modus	Heizen mit 50 % Leistung
Frostschutz-Modus	Heizgerät aus, sofern die Umgebungstemperatur nicht unter 5 °C fällt
- Verwenden Sie die Tasten „+“ und „-“, um die Zieltemperatur einzustellen.

5. WARTUNG



Vor dem Beginn von Reinigungs- und Wartungsarbeiten immer erst das Gerät ausschalten und den Stecker aus der Steckdose ziehen.

Reinigung



Das Gerät vor der Reinigung vollständig abkühlen lassen.

- Wischen Sie das Gehäuse mit einem weichen Tuch ab. Stark verschmutzte Teile mit einem feuchten Tuch abwischen und dann mit einem sauberen, trockenen Tuch vollständig abtrocknen. Darauf achten, dass kein Wasser in das Innere des Geräts gelangt
- Zum Schutz des Heizgeräts darf kein Wasser auf das Heizgerät gespritzt werden und es dürfen keine chemischen Lösungsmittel oder aggressiven Reinigungsprodukte verwendet werden.

Aufbewahrung

- Lassen Sie das Heizgerät vor der Aufbewahrung immer vollständig abkühlen.
- Bewahren Sie das Heizgerät an einem trockenen, gut belüfteten Ort auf.

UMWELT



Fehlerhafte und/oder ausgesonderte elektrische oder elektronische Geräte müssen zu den entsprechenden Recycling-orten gebracht werden.

Nur für EU-Länder

Entsorgen Sie Elektrowerkzeuge nicht im Hausmüll. Nach der europäischen Richtlinie 2012/19/EU über Elektro- und Elektronik-Altgeräte und ihrer Umsetzung in nationales Recht müssen Elektrowerkzeuge, die nicht mehr verwendet werden sollen, getrennt gesammelt und auf umweltgerechte Weise entsorgt werden.

GARANTIE

VONROC-Produkte werden nach den höchsten Qualitätsstandards entwickelt und sind für den gesetzlich festgelegten Zeitraum ab dem Datum des ursprünglichen Kaufs garantiert frei von Material- und Verarbeitungsfehlern. Sollte das Produkt während dieses Zeitraums aufgrund von Material- und/oder Verarbeitungsfehlern ausfallen, wenden Sie sich bitte direkt an VONROC.

Folgende Umstände sind aus der Garantie ausgeschlossen:

- An dem Gerät wurden von nicht autorisierten Servicestellen Reparaturen und/oder Änderungen vorgenommen oder versucht;
- Normaler Verschleiß;
- Das Gerät wurde missbräuchlich oder falsch verwendet oder unsachgemäß gewartet;
- Es wurden keine Originalersatzteile verwendet.

Dies ist die einzige ausdrückliche oder stillschweigende Garantie, die das Unternehmen übernimmt. Es gibt keine weiteren ausdrücklichen oder stillschweigenden Garantien, die über die hierin enthaltenen Angaben hinausgehen, einschließlich der stillschweigenden Garantien der Gebrauchstauglichkeit und Eignung für einen bestimmten Zweck. VONROC haftet in keinem Fall für zufällige Schäden oder Folgeschäden. Die Rechtsmittel des Händlers beschränken sich auf die Reparatur oder den Austausch der nicht konformen Geräte oder Teile.

Das Produkt und die Bedienungsanleitung können Änderungen unterliegen. Technische Daten können ohne vorherige Ankündigung geändert werden.

Modellbezeichnung(en): CH510AC, CH510AC_GREY, CH510AC_WHITE					
Artikel	Symbol	Wert	Einheit	Artikel	Einheit
Wärmeleistung				Art der Wärmezufuhr, nur für elektrische lokale Speicherheizgeräte (eine Option auswählen)	
Nennwärmeleistung	Pnom	1,0	kW	manuelle Wärmeabgaberegulung, mit integriertem Thermostat	Nein
Minimale Wärmeleistung (Richtwert)	Pmin	0,5	kW	manuelle Wärmeabgaberegulung mit Raum- und/oder Außentemperaturrückmeldung	Nein
Maximale kontinuierliche Wärmeleistung	Pmax,c	1,0	kW	elektronische Wärmeabgaberegulung mit Raum- und/oder Außentemperaturrückmeldung	Nein
Hilfsstromverbrauch				gebläseunterstützte Wärmeleistung	Nein
Bei Nennwärmeleistung	elmax	N/A	kW	Art der Wärmeleistungs-/Raumtemperaturregelung (eine Option auswählen)	
Bei minimaler Wärmeleistung	elmin	N/A	kW	einstufige Wärmeleistung und keine Raumtemperaturregelung	Nein
Im Bereitschaftsmodus	eISB	0,00173	kW	Zwei oder mehr manuelle Stufen, keine Raumtemperaturregelung	Nein
				mit mechanischem Thermostat zur Raumtemperaturregelung	Nein
				mit elektronischer Raumtemperaturregelung	Nein
				elektronische Raumtemperaturregelung plus Tageszeitschaltuhr	Nein
				elektronische Raumtemperaturregelung plus Wochenzeitschaltuhr	Ja
				Weitere Regelungsoptionen (Mehrfachauswahl möglich)	
				Raumtemperaturregelung, mit Anwesenheitserkennung	Nein
				Raumtemperaturregelung, mit Erkennung offener Fenster	Ja
				mit Fernbedienungsoption	Ja
				mit adaptiver Startregelung	Nein
				mit Betriebszeitbegrenzung	Ja
				mit schwarzem Glühbirnensensor	Nein
Kontaktinformationen	VONROC • Lingenstraat 6 • 8028 PM • Zwolle • Niederlande				

Modellbezeichnung(en): CH511AC, CH511AC_GREY, CH511AC_WHITE					
Artikel	Symbol	Wert	Einheit	Artikel	Einheit
Wärmeleistung				Art der Wärmezufuhr, nur für elektrische lokale Speicherheizgeräte (eine Option auswählen)	
Nennwärmeleistung	Pnom	1,5	kW	manuelle Wärmeabgaberegulung, mit integriertem Thermostat	Nein
Minimale Wärmeleistung (Richtwert)	Pmin	0,75	kW	manuelle Wärmeabgaberegulung mit Raum- und/oder Außentemperaturrückmeldung	Nein
Maximale kontinuierliche Wärmeleistung	Pmax,c	1,5	kW	elektronische Wärmeabgaberegulung mit Raum- und/oder Außentemperaturrückmeldung	Nein
Hilfsstromverbrauch				gebläseunterstützte Wärmeleistung	
Bei Nennwärmeleistung				Art der Wärmeleistungs-/Raumtemperaturregelung (eine Option auswählen)	
Bei minimaler Wärmeleistung	elmin	N/A	kW	einstufige Wärmeleistung und keine Raumtemperaturregelung	Nein
Im Bereitschaftsmodus	eISB	0,00173	kW	Zwei oder mehr manuelle Stufen, keine Raumtemperaturregelung	Nein
				mit mechanischem Thermostat zur Raumtemperaturregelung	Nein
				mit elektronischer Raumtemperaturregelung	Nein
				elektronische Raumtemperaturregelung plus Tageszeitschaltuhr	Nein
				elektronische Raumtemperaturregelung plus Wochenzeitschaltuhr	Ja
				Weitere Regelungsoptionen (Mehrfachauswahl möglich)	
				Raumtemperaturregelung, mit Anwesenheitserkennung	Nein
				Raumtemperaturregelung, mit Erkennung offener Fenster	Ja
				mit Fernbedienungsoption	Ja
				mit adaptiver Startregelung	Nein
				mit Betriebszeitbegrenzung	Ja
				mit schwarzem Glühbirnensensor	Nein
Kontaktinformationen VONROC • Lingenstraat 6 • 8028 PM • Zwolle • Niederlande					

Modellbezeichnung(en): CH512AC, CH512AC_GREY, CH512AC_WHITE					
Artikel	Symbol	Wert	Einheit	Artikel	Einheit
Wärmeleistung				Art der Wärmezufuhr, nur für elektrische lokale Speicherheizgeräte (eine Option auswählen)	
Nennwärmeleistung	P _{nom}	2,0	kW	manuelle Wärmeabgaberegulung, mit integriertem Thermostat	Nein
Minimale Wärmeleistung (Richtwert)	P _{min}	1,0	kW	manuelle Wärmeabgaberegulung mit Raum- und/oder Außentemperaturrückmeldung	Nein
Maximale kontinuierliche Wärmeleistung	P _{max,c}	2,0	kW	elektronische Wärmeabgaberegulung mit Raum- und/oder Außentemperaturrückmeldung	Nein
Hilfsstromverbrauch				gebläseunterstützte Wärmeleistung	Nein
Bei Nennwärmeleistung	e _{lmax}	N/A	kW	Art der Wärmeleistungs-/Raumtemperaturregelung (eine Option auswählen)	
Bei minimaler Wärmeleistung	e _{lmin}	N/A	kW	einstufige Wärmeleistung und keine Raumtemperaturregelung	Nein
Im Bereitschaftsmodus	e _{lSB}	0,00173	kW	Zwei oder mehr manuelle Stufen, keine Raumtemperaturregelung	Nein
				mit mechanischem Thermostat zur Raumtemperaturregelung	Nein
				mit elektronischer Raumtemperaturregelung	Nein
				elektronische Raumtemperaturregelung plus Tageszeitschaltuhr	Nein
				elektronische Raumtemperaturregelung plus Wochenzeitschaltuhr	Ja
				Weitere Regelungsoptionen (Mehrfachauswahl möglich)	
				Raumtemperaturregelung, mit Anwesenheitserkennung	Nein
				Raumtemperaturregelung, mit Erkennung offener Fenster	Ja
				mit Fernbedienungsoption	Ja
				mit adaptiver Startregelung	Nein
				mit Betriebszeitbegrenzung	Ja
				mit schwarzem Glühbirnensensor	Nein
Kontaktinformationen	VONROC • Lingenstraat 6 • 8028 PM • Zwolle • Niederlande				

1. VEILIGHEIDSINSTRUCTIES

Lees de bijgesloten veiligheidswaarschuwingen, de aanvullende veiligheidswaarschuwingen en de instructies. Geef u geen gevolg aan de veiligheidswaarschuwingen en de instructies dan kan dat een elektrische schok, brand en/of ernstig letsel tot gevolg hebben. Bewaar de veiligheidswaarschuwingen en de instructies zodat u ze later ook nog kunt raadplegen.

De volgende symbolen worden gebruikt in de gebruiksaanwijzing of op het product:



Lees de gebruiksaanwijzing.



Duidt op risico op persoonlijk letsel, gevaar van een ongeluk met dodelijke afloop of beschadiging van het gereedschap als de instructies in deze handleiding niet worden opgevolgd.



Wijst op het risico op een elektrische schok.



Belangrijk! WAARSCHUWING: Dek de kachel niet af om oververhitting te voorkomen.



Gooi het product niet weg in containers die daarvoor niet geschikt zijn.



Het product voldoet aan de geldende veiligheidsnormen in de Europese richtlijnen.

ALGEMENE VEILIGHEIDSWAARSCHUWINGEN

Dit apparaat mag worden gebruikt door kinderen vanaf 8 jaar en door personen met verminderde lichamelijke, zintuiglijke of geestelijke vermogens, of met een gebrek aan ervaring en kennis, mits zij onder toezicht staan of geïnstrueerd zijn betreffende het veilig gebruik van het apparaat en zich bewust zijn van de ermee verbonden risico's. Kinderen mogen niet met het apparaat spelen. Zonder toezicht mogen reiniging en onderhoud niet door kinderen worden uitgevoerd.

Kinderen jonger dan 3 jaar moeten uit de buurt worden gehouden, tenzij zij onder voortdurend toezicht staan.

Kinderen vanaf de leeftijd van 3 jaar, maar jonger dan 8 jaar mogen het apparaat alleen in- en

uitschakelen, mits het apparaat is geplaatst of geïnstalleerd op een locatie die bedoeld is als de normale positie waarin het apparaat wordt gebruikt en zij onder toezicht staan of instructies hebben gekregen over het veilige gebruik van het apparaat en de gevaren ervan hebben begrepen. Kinderen vanaf de leeftijd van 3 jaar, maar jonger dan 8 jaar mogen de stekker van het apparaat niet in het stopcontact steken, het apparaat niet instellen noch reinigen, noch onderhoud van het apparaat uitvoeren.



VOORZICHTIG - Sommige delen van dit product kunnen erg heet worden en brandwonden veroorzaken. Er moet speciale aandacht worden besteed aan kinderen en kwetsbare personen.

AANVULLENDE VEILIGHEIDSWAARSCHUWINGEN VOOR VERWARMING MET CONVECTORPANEEL

- Kinderen moeten uit de buurt gehouden worden, tenzij ze voortdurend onder toezicht staan zodat ze niet met het apparaat kunnen spelen.
- Kinderen mogen het apparaat niet aansluiten, plaatsen, bedienen, regelen en schoonmaken en geen gebruikersonderhoud uitvoeren.
- OPGELET - Sommige delen van dit product kunnen zeer heet worden en brandwonden veroorzaken. Er moet speciale aandacht worden besteed aan kinderen en kwetsbare personen.
- Het apparaat is niet geschikt voor gebruik buitenshuis, in badkamers of in andere natte of vochtige omgevingen.
- Houd er rekening mee dat het apparaat erg heet kan worden en daarom op een veilige afstand van ontvlambaar voorwerpen zoals meubels, gordijnen en dergelijke geplaatst moet worden.
- Dek de verwarming niet af.
- Het apparaat mag niet direct onder een stopcontact worden geplaatst
- Sluit het apparaat niet aan met een aan/uit-timer of andere externe apparatuur waarmee het apparaat automatisch kan worden ingeschakeld.
- Het apparaat mag niet worden geplaatst/gebruikt in ruimtes waar ontvlambare vloeistoffen of gassen worden gebruikt of opgeslagen.
- Als een verlengsnoer wordt gebruikt, moet dit zo kort mogelijk zijn en altijd volledig zijn afgerold.

- U mag geen andere apparaten op hetzelfde stopcontact aansluiten
- Gebruik het apparaat niet in de directe omgeving van een bad, douche of zwembad.
- Als het netsnoer beschadigd is, moet het worden vervangen door de fabrikant, diens onderhoudsvertegenwoordiger of andere gekwalificeerde personen om gevaren te voorkomen.
- Zorg ervoor dat het apparaat altijd onder toezicht staat en houd kinderen en dieren uit de buurt.
- Plaats/gebruik het apparaat niet op bewegende voertuigen of op plaatsen waar er gemakkelijk over te gestruikeld kan worden.
- Wanneer het apparaat gedurende lange tijd niet gebruik zal worden, trek de stekker van het apparaat dan uit het stopcontact. Trek aan de stekker, trekt nooit aan het snoer om de stekker uit het stopcontact te trekken.
- Houd het apparaat ver weg van gordijnen of van plaatsen waar de luchtinlaat gemakkelijk kan worden geblokkeerd.
- Om mogelijke elektrische schokken of lekstroom te voorkomen, mag u het apparaat nooit met natte handen gebruiken of het apparaat bedienen indien er water op het netsnoer is.
- Gooi elektrische apparaten niet weg als ongesorteerd gemeentelijk afval, maar gebruik gescheiden inzamelvoorzieningen. Neem contact op met uw lokale overheid voor informatie over de beschikbare inzamelsystemen. Als elektrische apparaten worden afgevoerd op een stortterrein of vuilnisbelt, kunnen gevaarlijke stoffen in het grondwater lekken en in de voedselketen terechtkomen, waardoor uw gezondheid en welzijn worden geschaad.
- Het is niet de bedoeling dat dit apparaat wordt gebruikt door personen (waaronder kinderen) met verminderde fysieke, zintuiglijke of psychische vermogens, of die het ontbreekt aan ervaring en kennis, tenzij zij onder toezicht staan of instructies krijgen over het gebruik van het apparaat van iemand die verantwoordelijk is voor hun veiligheid.

Elektrische veiligheid

Bij het gebruik van elektrische apparaten dient u ten alle tijden de veiligheidsregels in acht

te nemen die in uw land van toepassing zijn, om het risico op brand, elektrische schok en persoonlijk letsel te verminderen. Lees de volgende veiligheidsinstructies en de bijgesloten veiligheidsinstructies.

Controleer altijd of de voedingsspanning overeenstemt met de spanning die wordt vermeld op het typeplaatje.

Als het gebruik van elektrisch gereedschap in een vochtige ruimte niet kan worden voorkomen, gebruik dan een altijd door een aardlekschakelaar (RCD) beveiligde voeding. Het gebruik van een aardlekschakelaar zal het risico op een elektrische schok verminderen.

2. INFORMATIE OVER HET APPARAAT

Bedoeld gebruik

De convectiekachel met glazen paneel is alleen bedoeld voor gebruik binnenshuis. Het apparaat moet op een stabiel oppervlak geplaatst worden of stevig tegen een muur bevestigd worden met de bijgeleverde beugels. Het apparaat kan worden bediend via de handmatige bedieningen op het voorpaneel of kan vanop afstand bediend worden, via een Wifi-netwerk. De verwarming is uitgerust met een thermostaat en veiligheidsfuncties zoals omkantelbeveiliging en oververhittingsbeveiliging.

TECHNISCHE SPECIFICATIES

Modelnr.	CH510AC CH510AC_GRIJS CH510AC_WIT
Voeding	230V~ / 50/60Hz
Vermogensklasse	1000 W
Instellingen van de verwarming	500 W / 1000 W
Bereik van de thermostaat	5°C - 50°C
IP-klasse	IP24
Wifi-frequentie	2,4 Ghz

Modelnr.	CH511AC CH511AC_GRIJS CH511AC_WIT
Voeding	230V~ / 50/60Hz
Vermogensklasse	1500 W

Instellingen van de verwarming	750W / 1500W
Bereik van de thermostaat	5°C - 50°C
IP-klasse	IP24
Wifi-frequentie	2,4 Ghz

Modelnr.	CH512AC CH512AC_GRIJS CH512AC_WIT
Voeding	230V~ / 50/60Hz
Vermogensklasse	2000 W
Instellingen van de verwarming	1000W / 2000W
Bereik van de thermostaat	5°C - 50°C
IP-klasse	IP24
Wifi-frequentie	2,4 Ghz

BESCHRIJVING

De nummers in de onderstaande tekst verwijzen naar de afbeeldingen A1, A2, A3, B, C op pagina 2-3.

- Verwarming met glazen convectiepanelen
- Bedieningsknoppen
 - Omlaag
 - Omhoog
 - Wifi / Helderheid
 - Modus
 - Timer
 - Aan/Uit
- Weergave status
 - Instelling temperatuur/timer
 - Temperatuuraanduiding
 - Bedieningsvergrendeling
 - Wifi
- Indicators bedieningsmodus
 - Comfortmodus
 - Eco-modus
 - Anti-vriesmodus
- Schroef
- Vloersteen
- Muurbevestigingsschroef
- Muurplug
- Muurbevestigingsbeugel

3. BEDIENING



Controleer het apparaat vóór gebruik op beschadigingen en gebruik het alleen in goede werkende staat.

Als u de verwarming voor de eerste keer gebruikt, kunt u een lichte geur afkomstig van het verwarmingselement waarnemen. Dit is normaal en zou na het gedurende een tijd gebruiken van de kachel moeten verdwijnen.

De verwarming met convectorpaneel op de vloer plaatsen (afb. D)

- Installeer de vloersteunen (6) op de onderkant van de verwarming (1) met de bijgeleverde schroeven (5) (afb. D)
- Plaats de kachel rechtop, op een stevige en vlakke ondergrond.
- Houd een minimale afstand van 1 m van brandbare materialen (meubels, gordijnen, enz.). Houd uit de buurt van natte omgevingen.



Waarschuwing! Zorg ervoor dat u de kachel op een veilige plek plaatst, zodat u niet over het apparaat en de kabel kunt struikelen. Zorg ervoor dat u de kachel plaatst waar deze niet kan omvallen.

De verwarming met convectorpaneel tegen de muur monteren (afb. E-1, E-2, E-3, F-1, F-2, F-3)

- Bekijk het patroon met gaten op afb. E-1, E-2, E-3. Vind het patroon met gaten dat overeenstemt met uw verwarming.
 - Voor CH510AC / CH510AC_GRIJS / CH510AC_WIT zie afb. E-1
 - Voor CH511AC / CH511AC_GRIJS / CH511AC_WIT zie afb. E-2
 - Voor CH512AC / CH512AC_GRIJS / CH512AC_WIT zie afb. E-3
- Hang twee muurbevestigingsbeugels (9) tegen de muur met de bijgeleverde schroeven (7) (afb. F-1). Gebruik de bijgeleverde muurpluggen (8) tijdens het installeren tegen een betonnen/ stenen muur. Bekijk het eerder vermelde patroon met gaten om de juiste afstand tussen de beugels te verzekeren.
- Bevestig twee muurbevestigingsbeugels (9) tegen de onderkant van de verwarming (1) muur met de bijgeleverde schroeven (5) (afb. F-2). De geïnstalleerde beugels zullen dienen

als hulp, om te verzekeren dat de verwarming op de juiste afstand van de muur zal hangen.

- Bevestig de verwarming met convectorpaneel tegen de muur door deze op de muurbeugels te schuiven (afb. F-3).

De verwarming met convectorpaneel starten (afb. B)

- Steek de kabel in een stopcontact.
- Druk op de aan-/uitknop (2F) op het bedieningspaneel. Het bedieningspaneel zal nu geactiveerd zijn.
- Gebruik de modusknop (2D) om te wisselen tussen twee bedrijfsmodi. De geselecteerde bedrijfsmodi wordt weergegeven op de indicatoren 4A, 4B of 4C op het bedieningspaneel. De beschikbare modi zijn:

4A	Comfortmodus	Verwarming op vol vermogen
4B	Eco-modus	Verwarming op 50% vermogen
4C	Anti-vriesmodus	Verwarming uit, tenzij de omgevingstemperatuur onder 5 °C zakt

De temperatuur instellen (afb. B)

- Standaard wordt de omgevingstemperatuur op het scherm weergegeven. Druk één keer op de knop Omhoog of Omlaag (2A of 2B) om de gewenste temperatuur weer te geven. De gewenste temperatuur zal knipperen.
- Terwijl de gewenste temperatuur knippert, kan deze ingesteld worden tussen 5 °C en 50 °C door op de knoppen Omhoog of Omlaag (2A of 2B) te drukken.
- De gewenste temperatuur zal na de laatste druk op de knop 5 seconden blijven knipperen, daarna keert het scherm terug naar de standaard status met weergave van de omgevingstemperatuur.
- Merk op dat de gewenste temperatuur niet ingesteld kan worden wanneer de verwarming in de anti-vriesmodus staat. De gewenste temperatuur staat vast ingesteld op 5 °C in deze bedrijfsmodus. De bedrijfsmodus moet eerst gewijzigd worden naar comfortmodus of eco-modus voordat de gewenste temperatuur aangepast kan worden.

Vergrendeling bedieningspaneel (afb. B)

Het bedieningspaneel kan vergrendeld worden, om onbedoelde of onbevoegde aanpassingen aan de instellingen van de verwarming door te voeren. Houd de knop Omhoog (2B) 3 seconden ingedrukt om het bedieningspaneel te vergrendelen. De verwarming zal piepen en de indicator voor de verwarming zal piepen en de indicator voor de bedieningsvergrendeling (3C) gaat branden om aan te geven dat het bedieningspaneel vergrendeld is. Houd de knop Omlaag (2A) 3 seconden ingedrukt om de vergrendeling van het bedieningspaneel uit te schakelen.

Constante kamertemperatuur

De verwarming zal nu automatisch starten en stoppen om de kamertemperatuur constant te houden. Zodra de omgevingstemperatuur in de kamer de gewenste temperatuur bereikt, zal het verwarmingselement uitgeschakeld worden. Zodra de omgevingstemperatuur begint te dalen, zal het verwarmingselement opnieuw ingeschakeld worden.

Automatische oververhittingsbeveiliging

Deze verwarming is uitgerust met een interne veiligheidsthermostaat en een oververhittingsbeveiligingscircuit. Wanneer een potentiële oververhittingstemperatuur wordt bereikt, schakelt het systeem de verwarming automatisch uit.

De verwarming met convectorpaneel stoppen (afb. B)

Druk op de aan-/uitknop (2F) op het bedieningspaneel. De verwarming zal in de standby-modus gezet worden. Het verwarmingselement zal uitgeschakeld worden het bedieningspaneel zal gedeactiveerd worden.

De verwarming met convectorpaneel opbergen

Laat de verwarming altijd volledig afkoelen voordat u deze verplaatst of opbergt. Verzekert dat de stekker uit het stopcontact is getrokken tijdens bewaring.



Waarschuwing. Het apparaat niet bewaren in een natte omgeving. Bescherm het apparaat tegen stof tijdens bewaring.

Na langdurige opslag, moet altijd gecontroleerd worden dat het verwarmingselement schoon en

vrij van stof is, voordat de verwarming opnieuw gebruikt wordt.

4. BEDIENING VANOP AFSTAND

Naast de eerder vermelde handmatige bediening, kan de verwarming met convectiepaneel ook vanop afstand met een smartphone of tablet bediend worden, via een Wifi-netwerk. De vereiste app kan gratis gedownload en gebruikt worden.

De app op uw telefoon of tablet downloaden (afb. G)

- Scan de QR-code (afb. G) op uw telefoon of tablet om de "Smart Life"-app te downloaden en installeren.
- Als u de QR-code niet kunt of wilt gebruiken, kunt u de app ook handmatig installeren. Ga hiervoor naar de Google Play Store of Apple App Store op uw telefoon of tablet. Zoek naar de "Smart Life"-app (afb. G)
- Na het installeren van de app, zult u een "Smart Life"-account nodig hebben om aan te melden. Als u nog een account hebt, kunt u er (gratis) een aanmaken door op de knop 'Registreren' in de app te drukken.

Uw verwarming met convectiepaneel met de "Smart Life"-app koppelen (afb. H, I)

- Zet de verwarming in de standby-modus door op de aan-/uitknop (2F) te drukken. Het scherm van de verwarming zal uitgeschakeld worden, alleen de aan-/uitknop zal blijven branden.
- Houd de knop Wifi/Helderheid (2C) minstens 3 seconden ingedrukt. De Wifi-statusindicator (3D) zal beginnen knipperen.
- Open, terwijl de Wifi-statusindicator knippert, de app op uw telefoon of tablet en druk op Een apparaat toevoegen.
- Selecteer het type van apparaat, in dit geval Kleine apparaten -> Verwarming. Bevestig in de app dat de Wifi-statusindicator op de verwarming knippert.
- U zult door de app gevraagd worden om een Wifi-netwerk te selecteren en het Wifi-wachtwoord in te voeren. De app zal de gegevens naar de verwarming sturen, waardoor de verwarming verbinding met uw Wifi-netwerk kan maken.

De "Smart Life"-app gebruiken (afb. J)

De "Smart Life"-app kan gebruikt worden om veel verschillende apparaten te bedienen. De status van elk apparaat wordt weergegeven in de lijst met apparaten. De volgende statussen zijn mogelijk voor de verwarming met convectiepaneel:

- Offline (Het apparaat is niet ingeschakeld of niet met het Wifi-netwerk verbonden)
- Uitgeschakeld (Voeding en netwerkverbinding zijn beschikbaar, verwarming is momenteel uitgeschakeld)
- Ingeschakeld (Voeding en netwerkverbinding zijn beschikbaar, verwarming is ingeschakeld)

Tik, terwijl de verwarming online is (ofwel uitgeschakeld ofwel ingeschakeld) op de naam van het apparaat in de app, om de bedieningsinterface te openen.

Opmerking: wanneer de verwarming offline is, zult u de bedieningsinterface niet kunnen openen.

- Gebruik de modusknop om de bedrijfsmodus van de verwarming te wijzigen. De beschikbare modi zijn:

Comfortmodus	Verwarming op vol vermogen
Eco-modus	Verwarming op 50% vermogen
Anti-vriesmodus	Verwarming uit, tenzij de omgevingstemperatuur onder 5 °C zakt
- Gebruik de knoppen '+' en '-' om de gewenste temperatuur aan te passen.

5. ONDERHOUD



Schakel de machine altijd uit en trek de stekker uit het stopcontact, voordat de machine wordt gereinigd of onderhoud uitgevoerd gaat worden.

Schoonmaken



Laat het apparaat volledig afkoelen voordat u het schoonmaakt.

- Veeg de behuizing schoon met een zachte doek. Reinig zeer vuile onderdelen met een vochtige doek en gebruik vervolgens een schone, droge doek om het volledig te drogen. Zorg ervoor dat er geen water de binnenkant van het apparaat binnendringt
- Spat, om de verwarming te beschermen, geen water op de verwarming en gebruik

nooit chemische oplosmiddelen of agressieve reinigingsproducten.

Opslag

- Laat het apparaat volledig afkoelen voordat u het opbergt.
- Berg het product op een droge, goed geventileerde plaats op

MILIEU



Niet goed functionerende en/of afgedankte elektrische of elektronische apparaten moeten bij de juiste inzamelpunten voor recycling worden aangeboden.

Alleen voor landen in de EG

Gooi geen elektrisch gereedschap bij het huisvuil. Volgens de Europese richtlijnen 2012/19/EU betreffende afgedankte elektrische en elektronische apparatuur en de implementatie hiervan in nationaal recht, moeten elektrische gereedschappen die niet langer gebruikt worden apart ingezameld en weggegooid worden op een milieuvriendelijk manier.

GARANTIE

Producten van VONROC worden op basis van de hoogste kwaliteitsnormen ontwikkeld en zijn gegarandeerd vrij van defecten, zowel voor wat betreft het materiaal als de afwerking, gedurende de door de wet bepaalde periode, startend vanaf de datum van de originele aankoop. Mocht het product gedurende deze periode enige storingen vertonen als gevolg van gebrekkig materiaal en/of gebrekkige afwerking, dient direct contact met VONROC opgenomen te worden.

De volgende omstandigheden zijn uitgesloten van de garantie:

- Reparaties en/of wijzigingen die door en niet erkend servicecentrum aan het apparaat werden aangebracht of waartoe een poging werd ondernomen;
- Normale slijtage;
- Het gereedschap werd misbruikt, verkeerd werd gebruikt en/of onjuist werd onderhouden;
- Niet-originele reserveonderdelen werden gebruikt.

Dit betreft de enige garantie die door de organisatie, impliciet of expliciet, wordt aangeboden.

Geen andere garanties, impliciet noch expliciet, die verder strekken dan deze garantie, inclusief de impliciete garanties inzake de verkoopbaarheid en geschiktheid voor een specifiek doel. In geen geval zal VONROC aansprakelijk zijn voor incidentele schade of gevolgschade. De oplossingen van de dealers zullen beperkt zijn tot de reparatie of het vervangen van niet-conforme eenheden of onderdelen.

Het product en de gebruiksaanwijzing kunnen worden gewijzigd. Specificaties kunnen zonder voorafgaande kennisgeving worden gewijzigd.

Modelidentificator(s): CH510AC, CH510AC_GRIJS, CH510AC_WIT					
Item	Symbool	Waarde	Eenheid	Item	Eenheid
Warmteafgifte				Type van warmte-ingang, alleen voor plaatselijke elektrische verwarming (selecteer er een)	
Nominale warmteafgifte	Pnom	1,0	kW	handmatige regeling warmtevermogen, met geïntegreerde thermostaat	Nee
Minimum warmteafgifte (indicatief)	Pmin	0,5	kW	handmatige regeling warmtevermogen met kamer- en/of buitentemperatuurfeedback	Nee
Maximum continu warmteafgifte	Pmax,c	1,0	kW	elektronische regeling warmtevermogen met kamer- en/of buitentemperatuurfeedback	Nee
Elektriciteitsverbruik hulpmiddelen				door ventilator geassisteerde warmteafgifte	Nee
Bij nominale warmteafgifte	elmax	Nvt	kW	Type van warmteafgifte/regeling kamertemperatuur (selecteer er een)	
Bij minimale warmteafgifte	elmin	Nvt	kW	enkele stand warmteafgifte en geen regeling kamertemperatuur	Nee
In standby-modus	elSB	0,00173	kW	Twee of meer handmatige standen, geen regeling kamertemperatuur	Nee
				met regeling kamertemperatuur met mechanische thermostaat	Nee
				met elektronische regeling kamertemperatuur	Nee
				elektronische regeling kamertemperatuur plus dagtimer	Nee
				elektronische regeling kamertemperatuur plus weektimer	Ja
				Andere regelopties (meerdere selecties mogelijk)	
				regeling kamertemperatuur, met aanwezigheidsdetectie	Nee
				regeling kamertemperatuur, met open venster-detectie	Ja
				met de optie regeling vanop afstand	Ja
				met adaptieve startbediening	Nee
				met werkende tijdsbeperking	Ja
				met zwarte lamsensor	Nee
Contactgegevens	VONROC • Lingenstraat 6 • 8028 PM • Zwolle • Nederland				

Modelidentificator(s): CH511AC, CH511AC_GRIJS, CH511AC_WIT					
Item	Symbol	Waarde	Eenheid	Item	Eenheid
Warmteafgifte				Type van warmte-ingang, alleen voor plaatselijke elektrische verwarming (selecteer er een)	
Nominale warmteafgifte	Pnom	1,5	kW	handmatige regeling warmtevermogen, met geïntegreerde thermostaat	Nee
Minimum warmteafgifte (indicatief)	Pmin	0,75	kW	handmatige regeling warmtevermogen met kamer- en/of buitentemperatuurfeedback	Nee
Maximum continu warmteafgifte	Pmax,c	1,5	kW	elektronische regeling warmtevermogen met kamer- en/of buitentemperatuurfeedback	Nee
Elektriciteitsverbruik hulpmiddelen				door ventilator geassisteerde warmteafgifte	Nee
Bij nominale warmteafgifte	elmax	Nvt	kW	Type van warmteafgifte/regeling kamertemperatuur (selecteer er een)	
Bij minimale warmteafgifte	elmin	Nvt	kW	enkele stand warmteafgifte en geen regeling kamertemperatuur	Nee
In standby-modus	elSB	0,00173	kW	Twee of meer handmatige standen, geen regeling kamertemperatuur	Nee
				met regeling kamertemperatuur met mechanische thermostaat	Nee
				met elektronische regeling kamertemperatuur	Nee
				elektronische regeling kamertemperatuur plus dagtimer	Nee
				elektronische regeling kamertemperatuur plus weektimer	Ja
Andere regelopties (meerdere selecties mogelijk)					
				regeling kamertemperatuur, met aanwezigheidsdetectie	Nee
				regeling kamertemperatuur, met open venster-detectie	Ja
				met de optie regeling vanop afstand	Ja
				met adaptieve startbediening	Nee
				met werkende tijdsbeperking	Ja
				met zwarte lamsensor	Nee
Contactgegevens	VONROC • Lingenstraat 6 • 8028 PM • Zwolle • Nederland				

Modelidentificator(s): CH512AC, CH512AC_GRIJS, CH512AC_WIT					
Item	Symbool	Waarde	Eenheid	Item	Eenheid
Warmteafgifte				Type van warmte-ingang, alleen voor plaatselijke elektrische verwarming (selecteer er een)	
Nominale warmteafgifte	Pnom	2,0	kW	handmatige regeling warmtevermogen, met geïntegreerde thermostaat	Nee
Minimum warmteafgifte (indicatief)	Pmin	1,0	kW	handmatige regeling warmtevermogen met kamer- en/of buitentemperatuurfeedback	Nee
Maximum continu warmteafgifte	Pmax,c	2,0	kW	elektronische regeling warmtevermogen met kamer- en/of buitentemperatuurfeedback	Nee
Elektriciteitsverbruik hulpmiddelen				door ventilator geassisteerde warmteafgifte	Nee
Bij nominale warmteafgifte	elmax	Nvt	kW	Type van warmteafgifte/regeling kamertemperatuur (selecteer er een)	
Bij minimale warmteafgifte	elmin	Nvt	kW	enkele stand warmteafgifte en geen regeling kamertemperatuur	Nee
In standby-modus	elSB	0,00173	kW	Twee of meer handmatige standen, geen regeling kamertemperatuur	Nee
				met regeling kamertemperatuur met mechanische thermostaat	Nee
				met elektronische regeling kamertemperatuur	Nee
				elektronische regeling kamertemperatuur plus dagtimer	Nee
				elektronische regeling kamertemperatuur plus weektimer	Ja
				Andere regelopties (meerdere selecties mogelijk)	
				regeling kamertemperatuur, met aanwezigheidsdetectie	Nee
				regeling kamertemperatuur, met open venster-detectie	Ja
				met de optie regeling vanop afstand	Ja
				met adaptieve startbediening	Nee
				met werkende tijdsbeperving	Ja
				met zwarte lampsensor	Nee
Contactgegevens	VONROC • Lingenstraat 6 • 8028 PM • Zwolle • Nederland				

1. CONSIGNES DE SÉCURITÉ

Veillez à bien lire les avertissements de sécurité, les avertissements supplémentaires de sécurité ainsi que toutes les instructions jointes. Le non-respect des avertissements de sécurité et des consignes peut entraîner des décharges électriques, des incendies et/ou de graves blessures. Conservez tous les avertissements et toutes les instructions liées à la sécurité afin de pouvoir vous y référer dans le futur.

Les symboles qui suivent sont utilisés dans la notice ou sur le produit :



Lisez la notice d'utilisation.



Indique un risque de blessure, de décès ou de détérioration de l'outil en cas de non-respect des consignes de la présente notice.



Indique un risque de décharge électrique.



Important ! AVERTISSEMENT : Afin d'éviter tout risque de surchauffe, ne couvrez pas l'appareil de chauffage.



Ne jetez pas le produit de façon inappropriée.



Le produit est conforme aux normes de sécurité en vigueur des directives européennes.

AVERTISSEMENTS DE SÉCURITÉ GÉNÉRALE

Cet appareil peut être utilisé par des enfants âgés de 8 ans et plus et par des personnes aux capacités physiques, sensorielles ou intellectuelles réduites, ou qui manquent d'expérience et de connaissances, à condition qu'ils soient supervisés ou qu'ils aient été formés sur la façon sûre d'utiliser l'appareil et qu'ils comprennent les risques encourus. Les enfants ne doivent pas jouer avec l'appareil. Le nettoyage et les opérations de maintenance à réaliser par l'utilisateur ne doivent pas être exécutés par des enfants sans surveillance.

Les enfants de moins de 3 ans doivent être gardés à l'écart, à moins d'être surveillés en permanence. Les enfants entre 3 et 8 ans ne peuvent allumer ou

éteindre l'appareil, qu'à condition que ce dernier soit positionné ou installé dans sa position de service normale et que les enfants soient surveillés ou qu'ils aient appris comment utiliser l'appareil en toute sécurité et qu'ils aient compris les risques possibles. Les enfants entre 3 et 8 ans n'ont pas le droit de brancher, de régler et de nettoyer l'appareil ou d'en réaliser la maintenance.



ATTENTION - Certaines pièces de ce produit peuvent devenir très chaudes et provoquer des brûlures. Soyez particulièrement vigilant si des enfants ou d'autres personnes vulnérables sont présentes.

CONSIGNES DE SÉCURITÉ SUPPLÉMENTAIRES PROPRES AUX APPAREILS DE CHAUFFAGE ÉLECTRIQUES

- Les enfants doivent rester loin de l'appareil ou être constamment surveillés afin de s'assurer qu'ils ne jouent pas avec.
- Les enfants ne sont pas autorisés à brancher, déplacer, utiliser, régler et nettoyer l'appareil ou à effectuer des opérations de maintenance sur ce dernier.
- ATTENTION - Certaines pièces de ce produit peuvent devenir très chaudes et provoquer des brûlures. Soyez particulièrement vigilant si des enfants ou d'autres personnes vulnérables sont présentes.
- L'appareil ne doit pas être utilisé à l'extérieur, à l'humidité, dans des salles de bains ou dans d'autres environnements mouillés ou humides.
- Notez que l'appareil peut devenir très chaud et qu'il doit donc être positionné à une distance sûre de tout objet inflammable (meubles, rideaux et éléments similaires).
- Ne couvrez pas l'appareil de chauffage.
- L'appareil ne doit pas être placé directement sous une prise de courant
- Ne raccordez pas l'appareil à une minuterie ou à un autre équipement pouvant l'allumer automatiquement.
- L'appareil ne doit pas être placé/utilisé dans des pièces dans lesquelles se trouvent des liquides ou gaz inflammables.
- Si une rallonge est utilisée, elle doit être la plus courte possible et toujours complètement déroulée.
- Vous ne devez pas raccorder d'autres appareils dans la même prise de courant que cet appareil

- N'utilisez pas l'appareil à proximité immédiate d'une baignoire, d'une douche ou d'une piscine.
- Si le câble d'alimentation est endommagé, il doit être remplacé par le fabricant ou l'un de ses prestataires de service ou par une personne de même qualification, afin d'éviter tout risque.
- Assurez-vous de toujours surveiller l'appareil et de garder les enfants et les animaux loin de lui.
- Ne placez pas et n'utilisez pas l'appareil dans des véhicules en mouvement ou dans des endroits d'où il pourrait facilement basculer.
- Si l'appareil n'est pas utilisé pendant une période prolongée, débranchez-le du secteur. Tirez sur la prise et ne débranchez jamais l'appareil en tirant sur le cordon.
- Gardez l'appareil loin des rideaux ou d'autres éléments qui pourraient facilement boucher l'arrivée d'air.
- Afin d'éviter tout risque de décharge électrique ou de courant de fuite, n'utilisez jamais l'appareil les mains mouillées ou si le cordon d'alimentation est mouillé.
- Ne jetez pas les appareils électriques avec les déchets ménagers, rappez-les dans un centre de tri. Contactez vos autorités locales pour obtenir des informations sur les systèmes de collecte. Si les appareils électriques sont déposés dans des décharges et des dépotoirs, des substances dangereuses peuvent fuir et pénétrer dans le sol pour se retrouver dans la chaîne alimentaire et créer ainsi un risque pour votre santé et votre bien-être.
- Cet appareil n'est pas destiné à être utilisé par des personnes (y compris des enfants) aux capacités physiques, sensorielles ou intellectuelles réduites ou qui manquent d'expérience et de connaissances, à moins qu'elles ne soient supervisées ou qu'elles aient été informées sur la façon sûre d'utiliser l'appareil, par une personne responsable de leur sécurité.

Sécurité électrique

Lorsque vous utilisez des machines électriques, respectez toujours la réglementation applicable en matière de sécurité dans votre pays, afin de réduire les risques d'incendie, de décharge électrique ou de blessure. Lisez les consignes de sécurité qui suivent ainsi que celles jointes.

Veillez à toujours contrôler que la tension de l'alimentation électrique correspond à la tension

mentionnée sur la plaque signalétique.

Si l'utilisation d'un outil électrique dans un endroit humide est inévitable, utilisez une alimentation électrique protégée par un disjoncteur différentiel à courant résiduel (DDR). L'utilisation d'un DDR réduit le risque de décharge électrique.

2. INFORMATIONS SUR LA MACHINE

Utilisation prévue

Le convecteur à panneau de verre ne doit être utilisé qu'à l'intérieur. L'appareil doit être posé sur une surface stable ou correctement sécurisé au mur à l'aide des supports fournis. L'appareil peut être commandé à l'aide des commandes situées sur le panneau avant ou de façon déportée grâce à une connexion Wi-Fi. L'appareil de chauffage est équipé d'un thermostat et de dispositifs de sécurité comme une protection contre les chutes et une protection contre les surchauffes.

CARACTÉRISTIQUES TECHNIQUES

N° de modèle	CH510AC CH510AC_GREY CH510AC_WHITE
Alimentation électrique	230V~ / 50/60Hz
Puissance nominale	1000 W
Niveaux de réglage du convecteur	500W / 1000W
Plage de températures du thermostat	5°C - 50°C
Classement IP	IP24
Fréquence Wi-Fi	2,4 GHz

N° de modèle	CH511AC CH511AC_GREY CH511AC_WHITE
Alimentation électrique	230V~ / 50/60Hz
Puissance nominale	1500 W
Niveaux de réglage du convecteur	750W / 1500W
Plage de températures du thermostat	5°C - 50°C
Classement IP	IP24
Fréquence Wi-Fi	2,4 GHz

N° de modèle	CH512AC CH512AC_GREY CH512AC_WHITE
Alimentation électrique	230V~ / 50/60Hz
Puissance nominale	2000 W
Niveaux de réglage du convecteur	1000W / 2000W
Plage de températures du thermostat	5°C - 50°C
Classement IP	IP24
Fréquence Wi-Fi	2,4 GHz

PRÉSENTATION

Les numéros dans le texte ci-dessous renvoient aux figures A1, A2, A3, B, C des pages 2-3.

1. Convecteur électrique à panneau de verre
2. Boutons de commande
 - A. Bas
 - B. Haut
 - C. Wi-Fi / Luminosité
 - D. Mode
 - E. Minuterie
 - F. Marche / Arrêt
3. Écran État
 - A. Réglage Température / Minuterie
 - B. Indicateur de la température
 - C. Verrouillage des commandes
 - D. Wi-Fi
4. Voyants Modes de fonctionnement
 - A. Mode Confort
 - B. Mode Éco
 - C. Mode Hors-gel
5. Vis
6. Support à poser
7. Vis de fixation au mur
8. Cheville murale
9. Support de fixation au mur

3. UTILISATION



Contrôlez l'absence de dommage avant l'utilisation et ne faites fonctionner l'appareil que s'il est en bon état.

Lors de la première utilisation, une légère odeur provenant de l'élément chauffant est possible. C'est normal et cette odeur doit disparaître après quelques utilisations.

Poser le convecteur au sol (Fig. D)

- Installez les supports (6) sous l'appareil de chauffage (1) à l'aide des vis fournies (5) (Fig. D)
- Posez l'appareil de chauffage à l'endroit, sur une surface ferme et de niveau.
- Veillez à conserver une distance de sécurité minimum de 1m avec toutes les matières inflammables (meubles, rideaux, etc.). Gardez l'appareil loin des environnements humides.



Avertissement ! Veillez à placer l'appareil de chauffage dans un endroit sûr, où vous ne pourrez pas trébucher sur l'appareil et le câble. Veillez à placer l'appareil de chauffage dans un endroit duquel il ne pourra pas chuter.

Installer le convecteur au mur (Fig. E-1, E-2, E-3, F-1, F-2, F-3)

- Consultez les gabarits de trous des figures E-1, E-2, E-3. Choisissez le gabarit qui correspond à votre appareil de chauffage.
 - Pour les modèles CH510AC / CH510AC_GREY / CH510AC_WHITE, voir la Fig. E-1
 - Pour les modèles CH511AC / CH511AC_GREY / CH511AC_WHITE, voir la Fig. E-2
 - Pour les modèles CH512AC / CH512AC_GREY / CH512AC_WHITE, voir la Fig. E-3
- Installez deux supports de fixation murale (9) au mur à l'aide des vis fournies (7) (Fig. F-1). Utilisez les chevilles fournies (8) si l'installation se fait dans un mur en béton/brique. Consultez le gabarit mentionné plus haut pour vous assurer de la bonne distance entre les supports.
- Installez deux supports de fixation murale (9) au bas de l'appareil de chauffage (1) à l'aide des vis fournies (5) (Fig. F-2). Les supports installés servent à conserver la bonne distance de l'appareil de chauffage par rapport au mur.
- Installez le convecteur au mur en le glissant sur les supports muraux (Fig. F-3).

Mettre le convecteur en marche (Fig. B)

- Branchez le câble électrique dans une prise de courant.
- Appuyez sur le bouton Marche/Arrêt (2F) sur le panneau de commande. Le panneau de commande est activé.
- Utilisez le bouton Mode (2D) pour commuter entre les différents modes de fonctionnement.

Le Mode de fonctionnement sélectionné est indiqué par les voyants 4A, 4B ou 4C sur le panneau de commande. Les modes disponibles sont :

4A	Mode Confort	Chauffage à pleine puissance
4B	Mode Éco	Chauffage à 50% de puissance
4C	Mode Hors-gel	Chauffage coupé, tant que la température ne chute pas sous 5°C

Régler la température (Fig. B)

- La température ambiante est indiquée à l'écran par défaut. Appuyez une fois sur le bouton Bas ou Haut (2A ou 2B) pour afficher la température cible. La température cible clignote.
- Quand la température cible clignote, il est possible de la régler entre 5°C et 50°C en appuyant sur les boutons Bas ou Haut (2A ou 2B).
- La température cible continue à clignoter pendant 5 secondes après l'enfoncement du dernier bouton, avant que l'affichage revienne à son état par défaut, l'affichage de la température ambiante.
- Notez qu'il est impossible de régler la température cible quand l'appareil de chauffage est en mode Hors-gel. Dans ce mode, la température cible est réglée sur 5°C en permanence. Le mode de fonctionnement doit d'abord est passé sur Confort ou Éco avant de pouvoir régler la température cible.

Verrouillage du panneau de commande (Fig. B)

Il est possible de verrouiller le panneau de commande afin d'empêcher les réglages accidentels ou non autorisés de l'appareil de chauffage. Pour verrouiller le panneau de commande, maintenez le bouton Haut (2B) enfoncé pendant 3 secondes. L'appareil de chauffage émet un signal sonore et le voyant Verrouillage des commandes (3C) s'allume pour signaler que le panneau de commande est verrouillé. Pour désactiver le verrouillage du panneau de commande, maintenez le bouton Bas (2A) enfoncé pendant 3 secondes.

Température constante de la pièce

L'appareil de chauffage démarre et s'arrête automatiquement pour conserver une température

constante dans la pièce. Une fois la température ambiante voulue atteinte, l'appareil de chauffage se coupe. Quand la température commence à chuter dans la pièce, l'appareil de chauffage se remet en route.

Contrôle de sécurité de la surchauffe automatique

Cet appareil de chauffage est équipé d'un thermostat de sécurité interne et d'un circuit de protection contre les surchauffes. Si une température de potentielle surchauffe est atteinte, le système éteint automatiquement l'appareil de chauffage.

Éteindre le convecteur (Fig. B)

Appuyez sur le bouton Marche/Arrêt (2F) sur le panneau de commande. L'appareil de chauffage passe en mode Veille. L'appareil de chauffage est et le panneau de commande est désactivé.

Ranger le convecteur

Laissez toujours l'appareil de chauffage refroidir complètement avant de le ranger. Veillez à avoir bien débranché l'appareil de chauffage de la prise de courant avant de la ranger.



Avertissement. Ne rangez jamais l'appareil dans un endroit humide. Protégez l'appareil de la poussière.

Après une longue période d'inactivité, veillez toujours à ce que l'appareil de chauffage soit propre et sans poussière avant de le remettre en marche.

4. UTILISATION À DISTANCE

En plus des commandes manuelles, il est possible de faire fonctionner le convecteur à distance, avec votre smartphone ou votre tablette et une connexion Wi-Fi. L'application nécessaire peut être téléchargée et utilisée gratuitement.

Télécharger l'application pour votre smartphone ou votre tablette (Fig. G)

- Scannez le code QR (Fig. G) avec votre téléphone ou votre tablette pour télécharger et installer l'appli "Smart Life".
- Si vous ne pouvez ou ne voulez pas utiliser le code QR, vous pouvez également installer l'appli manuellement. Pour ce faire, ouvrez Google Play ou Apple App Store sur votre téléphone ou votre

tablette. Recherchez l'application "Smart Life" (Fig. G)

- Une fois l'appli installée, vous avez besoin d'un compte "Smart Life" pour pouvoir vous connecter. Si vous n'avez pas encore de compte, vous pouvez en créer un (gratuitement) en appuyant sur le bouton "S'inscrire" dans l'application.

Appairer votre convecteur dans l'application "Smart Life" (Fig. H, I)

- Passez l'appareil de chauffage en mode Veille en appuyant sur le bouton Marche/Arrêt (2F). L'écran de l'appareil s'éteint, il n'y a que le bouton Marche/Arrêt qui reste allumé.
- Maintenez enfoncé le bouton Wi-Fi/Luminosité (2C) pendant au moins 3 secondes. Le voyant d'état du Wi-Fi (3D) clignote.
- Pendant que le voyant d'état du Wi-Fi clignote, ouvrez l'application sur votre téléphone ou votre tablette et appuyez sur "Ajouter un appareil".
- Choisissez le type d'appareil, dans ce cas Petit électro -> Chauffage. Dans l'application, confirmez que le voyant d'état du Wi-Fi clignote sur l'appareil de chauffage.
- L'application vous demande de choisir votre réseau Wi-Fi et de saisir le mot de passe Wi-Fi. L'application envoie ces informations à l'appareil de chauffage, pour qu'il établisse la connexion avec votre réseau Wi-Fi.

Utiliser "Smart Life" (Fig. J)

L'application "Smart Life" peut servir pour commander différents appareils. L'état de chaque appareil est affiché dans la liste des appareils. Les états suivants sont possibles pour le convecteur :

- Hors ligne (L'appareil est éteint ou il n'est pas connecté au réseau Wi-Fi)
- Éteint (L'alimentation électrique et la connexion Wi-Fi sont disponibles mais l'appareil de chauffage est désactivé)
- Allumé (L'alimentation électrique et la connexion Wi-Fi sont disponibles et l'appareil de chauffage est activé)

Quand l'appareil de chauffage est en ligne (éteint ou allumé), appuyez sur le nom de l'appareil dans l'application pour ouvrir l'interface de commande. Remarque : si l'appareil est hors ligne, vous ne pouvez pas ouvrir l'interface de commande.

- Utilisez le bouton Mode pour changer le mode de fonctionnement du convecteur. Les modes disponibles sont :

Mode Confort	Chauffage à pleine puissance
Mode Éco	Chauffage à 50% de puissance
Mode Hors-gel	Chauffage coupé, tant que la température ne chute pas sous 5°C

- Utilisez les boutons "+" et "-" pour régler la température cible.

5. MAINTENANCE



Avant toute opération de nettoyage ou de maintenance, éteignez toujours l'appareil et débranchez-le.

Nettoyage



Laissez l'appareil refroidir complètement avant de le nettoyer.

- Essayez l'enveloppe à l'aide d'un chiffon doux. Lavez les parties très sales à l'aide d'un chiffon humide puis utilisez un chiffon propre pour parfaitement les sécher. Veillez à ne jamais laisser pénétrer d'eau à l'intérieur de l'appareil
- Afin de protéger le convecteur, n'aspergez pas d'eau dessus et n'utilisez jamais aucun solvant ou produit de nettoyage agressif.

Rangement

- Laissez toujours refroidir le convecteur complètement avant de le ranger.
- Rangez le convecteur dans un endroit sec et bien aéré.

ENVIRONNEMENT



Les appareils électriques et électroniques défectueux ou en fin de vie doivent être rapportés dans des sites de recyclage appropriés.

Pour les pays de la Communauté Européenne uniquement

Ne jetez pas les outils électriques avec les déchets ménagers. Conformément à la Directive Européenne 2012/19/EU relative à l'élimination des déchets électriques et électroniques et sa transposition dans

la législation nationale, les outils électriques inutilisables doivent être collectés séparément et être jetés de façon écologique.

GARANTIE

Les produits VONROC sont développés avec les normes de qualité les plus hautes et ils sont garantis pour être exempts de défaut de pièces et de main d'œuvre pour la durée stipulée par la loi et à compter de la date d'achat initiale. Si, au cours de cette période, le produit devait rencontrer une quelconque panne due à un défaut de pièce ou de main d'œuvre, contactez VONROC directement.

Les conditions suivantes sont exclues de la garantie :

- Réparations ou modifications sur la machine, faites ou tentées par des réparateurs non agréés ;
- Usure normale ;
- Utilisation abusive ou incorrecte ou maintenance incorrecte de l'appareil ;
- Utilisation de pièces détachées non d'origine.

Ceci représente l'unique garantie, explicite ou implicite, proposée par la société. Il n'existe aucune autre garantie, explicite ou implicite, qui puisse dépasser le cadre de la présente garantie, y compris les garanties implicites de qualité marchande et d'adaptation à un usage particulier. En aucun cas, VONROC ne saurait être tenu responsable pour les dommages accidentels ou consécutifs. Les recours des revendeurs sont limités à la réparation ou au remplacement des équipements ou des pièces non conformes.

Le produit et la notice d'utilisation sont sujets à modifications. Les caractéristiques peuvent être modifiées sans notification préalable.

Identifiant(s) modèle(s) : CH510AC, CH510AC_GREY, CH510AC_WHITE					
Élément	Symbole	Valeur	Unité	Élément	Unité
Puissance calorifique				Type d'apport thermique, pour dispositif de chauffage par accumulation uniquement (sélectionnez un élément)	
Puissance calorifique nominale	Pnom	1,0	kW	contrôle de la charge calorifique manuel, avec thermostat intégré	Non
Puissance calorifique minimum (à titre indicatif)	Pmin	0,5	kW	contrôle de la charge calorifique manuelle avec report de la température de la pièce/ extérieure	Non
Puissance calorifique continue maximum	Pmax,c	1,0	kW	contrôle de la charge calorifique électronique avec report de la température de la pièce/extérieure	Non
Consommation électrique auxiliaire				puissance calorifique assistée par ventilateur	
À la puissance calorifique nominale				Type de contrôle de la puissance calorifique/contrôle de la température de la pièce (sélectionnez un élément)	
À la puissance calorifique nominale	elmax	N/A	kW	puissance calorifique à une phase et sans contrôle de la température de la pièce	Non
À la puissance calorifique minimum	elmin	N/A	kW	Deux phases manuelles ou plus, pas de contrôle de la température de la pièce	Non
En mode Veille	eISB	0,00173	kW	avec contrôle mécanique de la température de la pièce	Non
				avec contrôle électronique de la température de la pièce	Non
				Contrôle électronique de la température de la pièce et minuterie quotidienne	Non
				Contrôle électronique de la température de la pièce et minuterie hebdomadaire	Oui
				Autres options de commande (plusieurs sélections possibles)	
				Contrôle de la température de la pièce avec détecteur de présence	Non
				Contrôle de la température de la pièce avec détecteur de fenêtre ouverte	Oui
				avec option commande à distance	Oui
				avec commande de démarrage progressif	Non
				avec limite de la durée de fonctionnement	Oui
				avec capteur ampoule noire	Non
Coordonnées VONROC • Lingenstraat 6 • 8028 PM • Zwolle • Pays-Bas					

Identifiant(s) modèle(s) : CH511AC, CH511AC_GREY, CH511AC_WHITE					
Élément	Symbole	Valeur	Unité	Élément	Unité
Puissance calorifique				Type d'apport thermique, pour dispositif de chauffage par accumulation uniquement (sélectionnez un élément)	
Puissance calorifique nominale	Pnom	1,5	kW	contrôle de la charge calorifique manuel, avec thermostat intégré	Non
Puissance calorifique minimum (à titre indicatif)	Pmin	0,75	kW	contrôle de la charge calorifique manuelle avec report de la température de la pièce/extérieure	Non
Puissance calorifique continue maximum	Pmax,c	1,5	kW	contrôle de la charge calorifique électronique avec report de la température de la pièce/extérieure	Non
Consommation électrique auxiliaire				puissance calorifique assistée par ventilateur	
À la puissance calorifique nominale				Type de contrôle de la puissance calorifique/contrôle de la température de la pièce (sélectionnez un élément)	
	elmax	N/A	kW		
À la puissance calorifique minimum				puissance calorifique à une phase et sans contrôle de la température de la pièce	
	elmin	N/A	kW		Non
En mode Veille				Deux phases manuelles ou plus, pas de contrôle de la température de la pièce	
	elSB	0,00173	kW		Non
				avec contrôle mécanique de la température de la pièce	Non
				avec contrôle électronique de la température de la pièce	Non
				Contrôle électronique de la température de la pièce et minuterie quotidienne	Non
				Contrôle électronique de la température de la pièce et minuterie hebdomadaire	Oui
				Autres options de commande (plusieurs sélections possibles)	
				Contrôle de la température de la pièce avec détecteur de présence	Non
				Contrôle de la température de la pièce avec détecteur de fenêtre ouverte	Oui
				avec option commande à distance	Oui
				avec commande de démarrage progressif	Non
				avec limite de la durée de fonctionnement	Oui
				avec capteur ampoule noire	Non
Coordonnées VONROC • Lingenstraat 6 • 8028 PM • Zwolle • Pays-Bas					

Identifiant(s) modèle(s) : CH512AC, CH512AC_GREY, CH512AC_WHITE					
Élément	Symbole	Valeur	Unité	Élément	Unité
Puissance calorifique				Type d'apport thermique, pour dispositif de chauffage par accumulation uniquement (sélectionnez un élément)	
Puissance calorifique nominale	Pnom	2,0	kW	contrôle de la charge calorifique manuel, avec thermostat intégré	Non
Puissance calorifique minimum (à titre indicatif)	Pmin	1,0	kW	contrôle de la charge calorifique manuelle avec report de la température de la pièce/ extérieure	Non
Puissance calorifique continue maximum	Pmax,c	2,0	kW	contrôle de la charge calorifique électronique avec report de la température de la pièce/extérieure	Non
Consommation électrique auxiliaire				puissance calorifique assistée par ventilateur	
À la puissance calorifique nominale				Type de contrôle de la puissance calorifique/contrôle de la température de la pièce (sélectionnez un élément)	
	elmax	N/A	kW		
À la puissance calorifique minimum				puissance calorifique à une phase et sans contrôle de la température de la pièce	
	elmin	N/A	kW		Non
En mode Veille				Deux phases manuelles ou plus, pas de contrôle de la température de la pièce	
					Non
				avec contrôle mécanique de la température de la pièce	Non
				avec contrôle électronique de la température de la pièce	Non
				Contrôle électronique de la température de la pièce et minuterie quotidienne	Non
				Contrôle électronique de la température de la pièce et minuterie hebdomadaire	Oui
				Autres options de commande (plusieurs sélections possibles)	
				Contrôle de la température de la pièce avec détecteur de présence	Non
				Contrôle de la température de la pièce avec détecteur de fenêtre ouverte	Oui
				avec option commande à distance	Oui
				avec commande de démarrage progressif	Non
				avec limite de la durée de fonctionnement	Oui
				avec capteur ampoule noire	Non
Coordonnées VONROC • Lingenstraat 6 • 8028 PM • Zwolle • Pays-Bas					

1. INSTRUCCIONES DE SEGURIDAD

Lea las advertencias de seguridad, las advertencias de seguridad adicionales y las instrucciones adjuntas. Si no respeta las advertencias de seguridad y las instrucciones, pueden ocasionarse descargas eléctricas, incendios y/o lesiones graves. Guarde las advertencias de seguridad y las instrucciones para su futura consulta.

En el manual de usuario y en el producto se emplean los siguientes símbolos:



Lea el manual de usuario.



Denota riesgo de lesiones personales, muerte o daños a la herramienta en caso de incumplimiento de las instrucciones del presente manual.



Denota riesgo de descarga eléctrica.



¡Importante! ADVERTENCIA: Para evitar el sobrecalentamiento, no cubra el calefactor.



No tire el producto en contenedores inadecuados.



El producto es conforme a las normas de seguridad aplicables establecidas en las directivas europeas.

ADVERTENCIAS DE SEGURIDAD GENERALES

Este aparato puede ser utilizado por niños a partir de 8 años de edad y por personas con capacidades físicas, sensoriales o mentales reducidas o que carezcan de experiencia y conocimientos, si están supervisadas o capacitadas sobre el uso del aparato de modo seguro y si comprenden los peligros que supone. Los niños no deben jugar con el aparato. La limpieza y el mantenimiento de usuario no deben ser efectuados por niños, sin supervisión.

Los niños menores de 3 años de edad deben mantenerse alejados, salvo que estén continuamente vigilados.

Los niños de 3 a 8 años de edad pueden solo encender y apagar el aparato, siempre que este haya sido colocado o instalado en su posición de funcionamiento normal prevista y estén vigilados o se les hayan dado instrucciones sobre el uso del aparato

en modo seguro y entiendan los peligros que supone el uso. Los niños de 3 a 8 años de edad no deberán enchufar, ajustar ni limpiar el aparato ni realizar el mantenimiento de usuario.



CUIDADO — Algunas partes de este producto pueden calentarse mucho y causar quemaduras. Debe prestarse especial atención cuando haya niños y personas vulnerables.

ADVERTENCIAS DE SEGURIDAD ADICIONALES PARA CALEFACTORES CONVEXORES CON PANEL DE VIDRIO

- Los niños deben mantenerse alejados del calefactor a menos que estén vigilados, para evitar que jueguen con el aparato.
- Se prohíbe que los niños conecten, coloquen, utilicen, regulen o limpien el aparato o que realicen cualquier tipo de mantenimiento del mismo.
- CUIDADO- Algunas partes de este producto pueden alcanzar temperaturas elevadas y causar quemaduras. Debe prestarse especial atención cuando haya niños y personas vulnerables.
- El aparato no es adecuado para usar en exteriores, en baños ni en otros entornos mojados o húmedos.
- Tenga en cuenta que el aparato puede calentarse mucho, por lo que debe colocarse a una distancia segura de objetos que puedan arder fácilmente, como muebles, cortinas y otros similares.
- No cubra el calefactor.
- El aparato no debe colocarse justo debajo de una toma de corriente.
- No encienda el aparato con un temporizador de encendido/apagado ni otros dispositivos que puedan encenderlo automáticamente.
- El aparato no debe colocarse ni utilizarse en habitaciones en las que haya líquidos o gases inflamables.
- Si utiliza un cable prolongador, este debe ser lo más corto posible y siempre debe estar totalmente extendido.
- No conecte otros aparatos al mismo enchufe de red al que esté conectado el aparato.
- No utilice el aparato cerca de bañeras, duchas o piscinas.
- Si el cable de alimentación se daña, debe ser sustituido por el fabricante, un taller

de reparación autorizado u otros técnicos cualificados, para evitar peligros.

- Asegúrese de que el aparato esté siempre vigilado y mantenga alejados de él a niños y animales.
- No coloque ni utilice el aparato en vehículos en movimiento ni en lugares en los que pueda tropezarse con él.
- Si el aparato no va a utilizarse durante un periodo prolongado de tiempo, desconéctelo de la red eléctrica. Tire directamente del enchufe, nunca saque el enchufe tirando del cable.
- Mantenga el aparato alejado de cortinas o lugares en los que la entrada de aire pueda bloquearse fácilmente.
- Para evitar posibles descargas eléctricas o corrientes de fuga, no utilice nunca el aparato con las manos húmedas ni lo manipule si el cable de alimentación tiene agua.
- No tire los aparatos eléctricos al contenedor de residuos sin clasificar. Llévelos siempre a los puntos de recogida establecidos. Consulte a su administración local sobre los sistemas de recogida de residuos disponibles. Si el aparato eléctrico va a parar a vertederos, puede desprender sustancias peligrosas que lleguen a las aguas subterráneas y se introduzcan en la cadena alimenticia, perjudicando su salud y bienestar.
- El aparato no debe ser usado por personas (incluidos niños) con capacidades físicas, sensoriales o mentales limitadas, o que no tengan experiencia o conocimiento, salvo que estén supervisadas o hayan recibido instrucciones sobre el uso del aparato por parte de una persona responsable de su seguridad.

Seguridad eléctrica

Cuando use máquinas eléctricas observe siempre las normas de seguridad aplicables en su país para reducir el riesgo de incendios, descargas eléctricas y lesiones personales. Lea las siguientes instrucciones de seguridad y las instrucciones de seguridad adjuntas.

Compruebe siempre que el voltaje de la tensión de alimentación se corresponda con la tensión indicada en la placa de datos.

Si el uso de una herramienta eléctrica en un entorno húmedo es inevitable, utilice un suministro protegido con un dispositivo diferencial residual

(DDR). El uso de un DDR reduce el riesgo de descarga eléctrica.

2. INFORMACIÓN SOBRE LA MÁQUINA

Uso previsto

El calefactor convector con panel de vidrio está destinado solamente para uso en interiores. El aparato debe colocarse sobre una superficie estable o montarse firmemente en la pared usando los soportes suministrados. El aparato puede manejarse mediante los controles manuales del panel frontal, o bien en modo remoto, mediante red wifi. El calefactor está equipado con un termostato y funciones de seguridad, como la protección contra vuelcos y sobrecalentamiento.

ESPECIFICACIONES TÉCNICAS

Modelo n.º	CH510AC CH510AC_GREY CH510AC_WHITE
Alimentación eléctrica	230V~ / 50/60Hz
Potencia nominal	1000 W
Ajustes del calefactor	500 W / 1000 W
Intervalo del termostato	5°C - 50°C
Grado de protección IP	IP24
Frecuencia wifi	2,4 Ghz

Modelo n.º	CH511AC CH511AC_GREY CH511AC_WHITE
Alimentación eléctrica	230V~ / 50/60Hz
Potencia nominal	1500 W
Ajustes del calefactor	750 W / 1500 W
Intervalo del termostato	5°C - 50°C
Grado de protección IP	IP24
Frecuencia wifi	2,4 Ghz

Modelo n.º	CH512AC CH512AC_GREY CH512AC_WHITE
Alimentación eléctrica	230V~ / 50/60Hz
Potencia nominal	2000 W

Modelo n.º	CH512AC CH512AC_GREY CH512AC_WHITE
Ajustes del calefactor	1000 W / 2000 W
Intervalo del termostato	5°C - 50°C
Grado de protección IP	IP24
Frecuencia wifi	2,4 Ghz

DESCRIPCIÓN

Los números del texto de abajo se refieren a los números utilizados en las figuras A1, A2, A3, B y C de las páginas 2-3.

1. Calefactor convector con panel de vidrio
2. Botones de control
 - A. Abajo
 - B. Arriba
 - C. Wifi - Brillo
 - D. Modo
 - E. Temporizador
 - F. Encendido/apagado
3. Visualización del estado
 - A. Ajuste de temperatura / temporizador
 - B. Indicador de temperatura
 - C. Bloqueo de control
 - D. Wifi
4. Indicadores de modo de funcionamiento
 - A. Modo Confort
 - B. Modo Eco
 - C. Modo anti-hielo
5. Tornillo
6. Soporte de suelo
7. Tornillo para montaje de pared
8. Taco de pared
9. Soporte para montaje de pared

3. FUNCIONAMIENTO



Antes de utilizar el aparato, compruebe que no esté dañado, y utilícelo únicamente si está en buen estado de funcionamiento.

Cuando use el calefactor por primera vez, es posible que perciba un ligero olor procedente del elemento calefactor. Esto es bastante normal y debería desaparecer después de usar el calefactor durante un tiempo.

Colocación del panel convector en el suelo (Fig. D)

- Instale los soportes de suelo (6) en la parte inferior del calefactor (1) usando los tornillos suministrados (5) (Fig. D)
- Coloque el calefactor en vertical sobre una superficie estable y plana.
- Mantenga una distancia mínima de 1 m de los materiales combustibles (muebles, cortinas, etc.). Manténgalo alejado de entornos húmedos.



¡Advertencia! Asegúrese de colocar el calefactor en un sitio seguro, de modo que no pueda tropezar con él ni con el cable. Asegúrese de colocar el calefactor en un lugar desde el que no pueda caerse.

Montaje del panel convector en la pared (Fig. E-1, E-2, E-3, F-1, F-2, F-3)

- Observe los patrones de los orificios en la Fig. E-1, E-2, E-3. Busque el patrón de orificios que corresponde a su calefactor.
 - Para CH510AC / CH510AC_GREY / CH510AC_WHITE, consulte la Fig. E-1
 - Para CH511AC / CH511AC_GREY / CH511AC_WHITE, consulte la Fig. E-2
 - Para CH512AC / CH512AC_GREY / CH512AC_WHITE, consulte la Fig. E-3
- Monte los dos soportes de montaje de pared (9) en la pared usando los tornillos suministrados (7) (Fig. F-1). Si debe efectuar el montaje en una pared de hormigón o ladrillo, use los tacos suministrados (8). Consulte el patrón de orificios citado para comprobar que el espacio entre los soportes sea correcto.
- Monte los dos soportes de montaje de pared (9) debajo del calefactor (1) usando los tornillos suministrados (5) (Fig. F-2). Los soportes montados harán de sostén, para asegurar que el calefactor sea colocado a la distancia correcta de la pared.
- Monte el panel convector en la pared deslizándolo por los soportes de la pared (Fig. F-3).

Arranque del panel convector (Fig. B)

- Enchufe el cable en una toma de corriente.
- Pulse el botón de encendido/apagado (2F) del panel de control. Se activará el panel de control.
- Utilice el botón de modo (2D) para pasar de un modo de funcionamiento a otro. El modo

de funcionamiento seleccionado se mostrará con los indicadores 4A, 4B o 4C en el panel de control. Los modos disponibles son los siguientes:

4A	Modo confort	Calefacción a plena potencia
4B	Modo Eco	Calefacción al 50 % de la potencia
4C	Modo anti-hielo	Calefacción apagada, salvo que la temperatura ambiente baje a menos de 5 °C

Ajuste de la temperatura (Fig. B)

- Por defecto, en la pantalla se muestra la temperatura ambiente. Pulse una vez el botón Abajo o Arriba (2A o 2B) para mostrar la temperatura objetivo. La temperatura objetivo parpadeará.
- Mientras la temperatura objetivo parpadea, se puede ajustar la temperatura entre 5 °C y 50 °C pulsando los botones Abajo o Arriba (2A o 2B).
- La temperatura objetivo seguirá parpadeando durante 5 segundos después de pulsar por última vez el botón, después la pantalla volverá al estado predeterminado y mostrará la temperatura ambiente.
- Tenga en cuenta que no se puede ajustar la temperatura objetivo cuando el calefactor está en modo Anti-hielo. En este modo de funcionamiento, la temperatura objetivo está establecida en 5 °C. El modo de funcionamiento debe cambiarse primero al modo Confort o al modo Eco antes de poder ajustar la temperatura objetivo.

Bloqueo del panel de control (Fig. B)

El panel de control puede bloquearse para evitar ajustes accidentales o no autorizados de la configuración del calefactor. Para bloquear el panel de control, pulse y mantenga pulsado el botón Arriba (2B) durante 3 segundos. El calefactor emitirá un pitido y el indicador de bloqueo de control (3C) se encenderá para señalar que el panel de control está bloqueado. Para desbloquear el panel de control, pulse y mantenga pulsado el botón Abajo (2A) durante 3 segundos.

Temperatura constante de la habitación

El calefactor se enciende y se apaga automáticamente, manteniendo una temperatura constante en la habitación. Una vez que la

temperatura ambiente de la habitación alcanza la temperatura deseada, el elemento calefactor se apaga. Cuando la temperatura ambiente empieza a bajar, el elemento calefactor vuelve a encenderse.

Protección automática contra el sobrecalentamiento

Este calefactor está equipado con un termostato interno de seguridad y un circuito de protección contra el sobrecalentamiento. Si el calefactor alcanza una temperatura que pueda causar sobrecalentamiento, el sistema lo apaga automáticamente.

Parada del panel convector (Fig. B)

Pulse el botón de encendido/apagado (2F) del panel de control. El calefactor se pondrá en modo de espera. Se apagará el elemento calefactor y se desactivará el panel de control.

Almacenamiento del panel convector

Deje siempre que el calefactor se enfríe completamente antes desplazarlo o de guardarlo. Compruebe que el calefactor esté desenchufado de la red eléctrica mientras esté guardado.



Advertencia. No guarde el aparato en un entorno húmedo. Proteja el aparato contra el polvo cuando esté guardado.

Después de un tiempo prolongado de almacenamiento, compruebe siempre que el elemento calefactor esté limpio y libre de polvo antes de volver a utilizar el calefactor.

4. MANEJO REMOTO

Además del citado manejo manual, el panel convector también puede manejarse en modo remoto mediante la red wifi usando un teléfono inteligente o una tableta. La aplicación necesaria puede descargarse y utilizarse gratuitamente.

Descarga de la aplicación en su teléfono o tableta (Fig. G)

- Escanee el código QR (Fig. G) en su teléfono o tableta para descargar e instalar la aplicación "Smart Life".
- Si no puede o no quiere utilizar el código QR, también puede instalar la aplicación manualmente. Para ello, vaya a Google

Play Store o Apple App Store en su teléfono o tableta. Busque la aplicación "Smart Life" (Fig. G)

- Una vez instalada la aplicación, para poder iniciar sesión, necesitará una cuenta "Smart Life". Si aún no tiene una cuenta, puede crear una (gratuita) pulsando el botón "Registrarse" en la aplicación.

Emparejamiento del panel convector con la aplicación "Smart Life" (Fig. H, I)

- Ponga el calefactor en modo de espera pulsando el botón de encendido/apagado (2F). La pantalla del calefactor se apagará, quedará encendido solamente el botón de encendido/apagado.
- Pulse y mantenga pulsado el botón Wifi/Brillo (2C) durante al menos 3 segundos. El indicador de estado de wifi (3D) comenzará a parpadear.
- Mientras el indicador de estado del wifi parpadea, abra la aplicación en su teléfono o tableta y pulse Añadir dispositivo.
- Seleccione el tipo de dispositivo, en este caso Pequeños electrodomésticos -> Calefactor. Confirme en la aplicación que el indicador de estado del wifi del calefactor está parpadeando.
- La aplicación le pedirá que seleccione una red wifi y que introduzca la contraseña del wifi. La aplicación enviará los datos al calefactor para que establezca una conexión con su red wifi.

Uso de la aplicación "Smart Life" (Fig. J)

La aplicación "Smart Life" puede utilizarse para controlar varios dispositivos. El estado de cada dispositivo se muestra en la lista de dispositivos. El panel calefactor puede tener los siguientes estados:

- Desconectado (El dispositivo no está alimentado o no está conectado a la red wifi)
- Apagado (la alimentación y la conexión de red están disponibles, pero la calefacción está actualmente desactivada)
- Encendido (la alimentación y la conexión de red están disponibles y la calefacción está activada)

Cuando el calefactor esté conectado (apagado o encendido), pulse el nombre del dispositivo en la aplicación para abrir la interfaz de control.

Nota: cuando el calefactor esté desconectado no podrá abrir la interfaz de control.

- Utilice el botón de modo para cambiar el modo de funcionamiento del calefactor. Los modos disponibles son los siguientes:

Modo confort	Calefacción a plena potencia
Modo Eco	Calefacción al 50 % de la potencia
Modo anti-hielo	Calefacción apagada, salvo que la temperatura ambiente baje a menos de 5 °C

- Use los botones '+' y '-' para ajustar la temperatura objetivo.

5. MANTENIMIENTO



Antes de realizar la limpieza y el mantenimiento, apague siempre la máquina y extraiga el enchufe de la red de alimentación.

Limpieza



Deje que el aparato se enfríe completamente antes de limpiarlo.

- Limpie el revestimiento con un paño suave. Limpie las partes muy sucias con un paño húmedo y después séquelas bien con un paño limpio. Tenga cuidado de que no se introduzca agua dentro del aparato.
- Para proteger el calefactor, no lo salpique y nunca utilice disolventes químicos o productos de limpieza agresivos.

Almacenamiento

- Deje siempre que el aparato se enfríe antes de guardarlo.
- Guarde el calefactor en un lugar seco y bien ventilado

MEDIOAMBIENTE



Los aparatos eléctricos o electrónicos defectuosos y/o desechados deben recogerse en lugares de reciclado apropiados.

Solo para países de la Comunidad Europea

No elimine las herramientas eléctricas como residuos domésticos. De acuerdo con la Directiva europea 2012/19/EU sobre residuos de aparatos

eléctricos y electrónicos, y su transposición a las legislaciones nacionales, las herramientas eléctricas que ya no se utilizan deben recogerse por separado y eliminarse en modo ecológico.

GARANTÍA

Los productos VONROC han sido fabricados con los estándares de calidad más elevados y garantizamos que están exentos de defectos relacionados con los materiales y la mano de obra durante el período legalmente establecido a partir de la fecha de compra original. Si, durante este periodo, el producto presenta algún fallo de los materiales y/o la mano de obra, póngase en contacto directamente con VONROC.

Las siguientes circunstancias están excluidas de esta garantía:

- Si se han realizado o se ha intentado realizar reparaciones o alteraciones en la máquina por parte de centros de servicio no autorizados.
- Desgaste normal.
- La herramienta ha sido usada impropiaemente, mal utilizada o mantenida incorrectamente.
- Si se han utilizado piezas de repuesto no originales.

Esta constituye la única garantía, expresa e implícita, ofrecida por la empresa. No existen otras garantías expresas ni implícitas distintas a la especificada en el presente documento, incluidas las garantías implícitas de comerciabilidad y de adecuación a un propósito particular. VONROC no será responsable bajo ninguna circunstancia de ningún daño incidental o consecuente. Los recursos de los distribuidores están limitados a la reparación o sustitución de las unidades o piezas no conformes.

El producto y el manual de usuario están sujetos a variaciones. Las especificaciones pueden variar-se sin aviso previo.

Identificador(es) de modelo: CH510AC, CH510AC_GREY, CH510AC_WHITE					
Artículo	Símbolo	Valor	Unidad	Artículo	Unidad
Salida térmica				Tipo de salida térmica, solo para calefactores de espacios locales con almacenamiento eléctrico (seleccione uno)	
Salida térmica nominal	Pnom	1,0	kW	Control de carga térmica manual, con termostato integrado	No
Salida térmica mínima (indicativa)	Pmin	0,5	kW	Control de carga térmica manual con información de temperatura ambiente y/o exterior	No
Salida térmica continua máxima	Pmax,c	1,0	kW	Control de carga térmica electrónica con información de temperatura ambiente y/o exterior	No
Consumo eléctrico secundario				Salida térmica asistida por ventilador	No
En salida térmica nominal	elmax	N/A	kW	Tipo de control de temperatura ambiente/salida térmica (seleccione uno)	
En salida térmica mínima	elmin	N/A	kW	Salida térmica de una sola fase y sin control de temperatura ambiente	No
En modo de espera	eISB	0,00173	kW	Dos o más fases manuales, sin control de temperatura ambiente	No
				Con control de temperatura ambiente con termostato mecánico	No
				Con control de temperatura ambiente con termostato eléctrico	No
				Control de temperatura ambiente electrónico más temporizador diario	No
				Control de temperatura ambiente electrónico más temporizador semanal	Sí
Otras opciones de control (se pueden realizar varias selecciones)					
				Control de temperatura ambiente con detección de presencia	No
				Control de temperatura ambiente con detección de ventanas abiertas	Sí
				Con opción de mando a distancia	Sí
				Con control de arranque adaptable	No
				Con límite de tiempo de funcionamiento	Sí
				Con sensor de bola negra	No
Datos de contacto VONROC • Lingenstraat 6 • 8028 PM • Zwolle • Países Bajos					

Identificador(es) de modelo: CH511AC, CH511AC_GREY, CH511AC_WHITE					
Artículo	Símbolo	Valor	Unidad	Artículo	Unidad
Salida térmica				Tipo de salida térmica, solo para calefactores de espacios locales con almacenamiento eléctrico (seleccione uno)	
Salida térmica nominal	Pnom	1,5	kW	Control de carga térmica manual, con termostato integrado	No
Salida térmica mínima (indicativa)	Pmin	0,75	kW	Control de carga térmica manual con información de temperatura ambiente y/o exterior	No
Salida térmica continua máxima	Pmax,c	1,5	kW	Control de carga térmica electrónica con información de temperatura ambiente y/o exterior	No
Consumo eléctrico secundario				Salida térmica asistida por ventilador	No
En salida térmica nominal	elmax	N/A	kW	Tipo de control de temperatura ambiente/salida térmica (seleccione uno)	
En salida térmica mínima	elmin	N/A	kW	Salida térmica de una sola fase y sin control de temperatura ambiente	No
En modo de espera	eISB	0,00173	kW	Dos o más fases manuales, sin control de temperatura ambiente	No
				Con control de temperatura ambiente con termostato mecánico	No
				Con control de temperatura ambiente con termostato eléctrico	No
				Control de temperatura ambiente electrónico más temporizador diario	No
				Control de temperatura ambiente electrónico más temporizador semanal	Sí
Otras opciones de control (se pueden realizar varias selecciones)					
				Control de temperatura ambiente con detección de presencia	No
				Control de temperatura ambiente con detección de ventanas abiertas	Sí
				Con opción de mando a distancia	Sí
				Con control de arranque adaptable	No
				Con límite de tiempo de funcionamiento	Sí
				Con sensor de bola negra	No
Datos de contacto	VONROC • Lingenstraat 6 • 8028 PM • Zwolle • Países Bajos				

Identificador(es) de modelo: CH512AC, CH512AC_GREY, CH512AC_WHITE					
Artículo	Símbolo	Valor	Unidad	Artículo	Unidad
Salida térmica				Tipo de salida térmica, solo para calefactores de espacios locales con almacenamiento eléctrico (seleccione uno)	
Salida térmica nominal	Pnom	2,0	kW	Control de carga térmica manual, con termostato integrado	No
Salida térmica mínima (indicativa)	Pmin	1,0	kW	Control de carga térmica manual con información de temperatura ambiente y/o exterior	No
Salida térmica continua máxima	Pmax,c	2,0	kW	Control de carga térmica electrónica con información de temperatura ambiente y/o exterior	No
Consumo eléctrico secundario				Salida térmica asistida por ventilador	No
En salida térmica nominal	elmax	N/A	kW	Tipo de control de temperatura ambiente/salida térmica (seleccione uno)	
En salida térmica mínima	elmin	N/A	kW	Salida térmica de una sola fase y sin control de temperatura ambiente	No
En modo de espera	eISB	0,00173	kW	Dos o más fases manuales, sin control de temperatura ambiente	No
				Con control de temperatura ambiente con termostato mecánico	No
				Con control de temperatura ambiente con termostato eléctrico	No
				Control de temperatura ambiente electrónico más temporizador diario	No
				Control de temperatura ambiente electrónico más temporizador semanal	Sí
				Otras opciones de control (se pueden realizar varias selecciones)	
				Control de temperatura ambiente con detección de presencia	No
				Control de temperatura ambiente con detección de ventanas abiertas	Sí
				Con opción de mando a distancia	Sí
				Con control de arranque adaptable	No
				Con límite de tiempo de funcionamiento	Sí
				Con sensor de bola negra	No
Datos de contacto	VONROC • Lingenstraat 6 • 8028 PM • Zwolle • Países Bajos				

1. ISTRUZIONI DI SICUREZZA

Leggere le avvertenze di sicurezza, le avvertenze di sicurezza aggiuntive e le istruzioni contenute in questo manuale. La mancata osservanza delle avvertenze e istruzioni di sicurezza potrebbe dar luogo a scosse elettriche, incendi e/o lesioni personali gravi. Conservare le avvertenze di sicurezza e le istruzioni per riferimenti futuri.

I simboli riportati di seguito vengono utilizzati all'interno del manuale d'uso oppure sono indicati sul prodotto:



Leggere il manuale d'uso.



Denota il rischio di lesioni personali, morte o danni all'apparecchio in caso di mancata osservanza delle istruzioni contenute in questo manuale.



Denota il rischio di scosse elettriche.



Importante! AVVERTENZA: per evitare il surriscaldamento, non coprire l'apparecchio.



Non smaltire il prodotto in contenitori non idonei.



Il prodotto è conforme alle norme di sicurezza applicabili ai sensi delle direttive europee vigenti.

AVVERTENZE DI SICUREZZA GENERALI

Questo apparecchio può essere utilizzato dai bambini dagli 8 anni in su e da persone con capacità fisiche, sensoriali o mentali ridotte o con mancanza di esperienza, purché siano sorvegliati od opportunamente istruiti su come utilizzarlo in sicurezza e comprendano i pericoli inerenti. Accertarsi che i bambini non giochino con l'apparecchio. Gli interventi di pulizia e manutenzione previsti da parte dell'utilizzatore non devono essere svolti da bambini non sorvegliati.

I bambini di età inferiore ai 3 anni devono essere tenuti a debita distanza a meno che non siano sottoposti a supervisione continua.

I bambini di età compresa tra 3 anni e inferiore a 8 anni devono accendere/spengere l'apparecchio solo a condizione che sia stato posizionato o

installato nella normale posizione di funzionamento prevista e a condizione che siano supervisionati o abbiano ricevuto istruzioni sull'utilizzo sicuro dell'apparecchio e ne comprendono i rischi associati. I bambini di età compresa tra 3 anni e 8 anni non devono collegare alla corrente, regolare e pulire l'apparecchio né eseguire interventi manutenzione previsti da parte dell'utilizzatore.



ATTENZIONE - alcune parti di questo prodotto possono diventare roventi e causare ustioni. Prestare particolare attenzione in presenza di bambini e persone vulnerabili.

AVVERTENZE DI SICUREZZA AGGIUNTIVE PER IL TERMOCONVETTORE CON PANNELLO

- Tenere a distanza i bambini, a meno che siano costantemente sorvegliati, per assicurarsi che non giochino con l'apparecchio.
- Non permettere ai bambini di collegare la spina dell'apparecchio alla presa di corrente, né di posizionarlo, metterlo in funzione, regolarlo e pulirlo o sottoporlo ad interventi di manutenzione previsti da parte dell'utilizzatore.
- ATTENZIONE - alcune parti di questo prodotto possono diventare roventi e causare ustioni. Prestare particolare attenzione in presenza di bambini e persone vulnerabili.
- Questo apparecchio non è adatto per essere utilizzato all'aperto, nei bagni o in altri ambienti bagnati o umidi.
- Si consideri che l'apparecchio può diventare molto caldo, pertanto dovrebbe essere posizionato a distanza di sicurezza da oggetti infiammabili, come mobili, tende e oggetti simili.
- Non coprire il termoconvettore.
- Non posizionare l'apparecchio immediatamente sotto una presa di corrente.
- Non collegare l'apparecchio mediante un timer di accensione e spegnimento o un altro dispositivo esterno in grado di mettere in funzione automaticamente l'apparecchio.
- L'apparecchio non deve essere posizionato/ utilizzato in locali in cui siano usati o conservati liquidi o gas infiammabili.
- In caso di utilizzo di una prolunga, essa deve essere il più possibile corta e sempre completamente estesa.
- È vietato collegare altri apparecchi alla stessa presa, a cui è collegato questo apparecchio.

- Non utilizzare l'apparecchio nelle immediate vicinanze di una vasca da bagno, una doccia o una piscina.
- Se il cavo di alimentazione è danneggiato, deve essere sostituito dal fabbricante, da un tecnico dell'assistenza incaricato dallo stesso o da altro personale in possesso di una qualifica analoga, al fine di evitare rischi per la sicurezza.
- Fare in modo che l'apparecchio sia costantemente sorvegliato e non accessibile a bambini o animali.
- Non posizionare/utilizzare l'apparecchio su veicoli in movimento o in punti in cui sia facile inciamparvi sopra.
- Quando l'apparecchio non viene utilizzato per periodi prolungati, staccare la relativa spina dalla presa di corrente. Per farlo, estrarre la spina direttamente e non tirando il cavo.
- Tenere l'apparecchio a distanza dalle tende o da luoghi in cui l'ingresso dell'aria possa essere bloccato facilmente.
- Per prevenire possibili scosse elettriche o una corrente di dispersione, non utilizzare mai l'apparecchio con le mani bagnate né metterla in funzione se è presente acqua sul cavo di alimentazione.
- Non smaltire gli apparecchi elettrici tra i rifiuti generici, bensì portarli presso appositi centri di smaltimento. Contattare la propria amministrazione locale per ottenere Informazioni riguardanti i sistemi di raccolta disponibili. Se gli apparecchi elettrici sono smaltiti in discariche, le sostanze pericolose possono penetrare nelle acque di sottosuolo ed entrare nella catena alimentare, rappresentando un rischio per la propria salute e il proprio benessere.
- Questo apparecchio non è destinato all'uso da parte di persone (bambini inclusi) con capacità fisiche, sensoriali o mentali ridotte o che non abbiano alcuna esperienza o conoscenza dell'apparecchio, a meno che non siano sorvegliate o siano state istruite sull'uso del prodotto da una persona responsabile per la loro sicurezza.

Sicurezza elettrica

Quando si utilizzano apparecchi elettrici, osservare sempre le norme di sicurezza in vigore nel proprio Paese per ridurre il rischio che si verifichino incendi, scosse elettriche e lesioni alle persone.

Leggere le istruzioni di sicurezza riportate di seguito oltre a quelle allegate a questo manuale. Controllare sempre che la tensione di alimentazione corrisponda alla tensione indicata sulla targhetta dei valori nominali.

Se non è possibile evitare l'uso di un apparecchio elettrico in ambiente umido, collegarlo a una rete di alimentazione protetta da un interruttore differenziale (salvavita). L'uso di un salvavita riduce il rischio di scosse elettriche.

2. INFORMAZIONI RELATIVE ALL'APPARECCHIO

Uso previsto

Il termoconvettore con pannello di vetro è destinato esclusivamente ad essere utilizzato in ambienti interni. L'apparecchio deve essere collocato su una superficie stabile o fissato saldamente a una parete utilizzando i supporti a muro in dotazione. Può essere azionato tramite i comandi manuali sul pannello frontale, oppure è possibile comandarlo a distanza tramite una rete Wi-Fi. Il termoconvettore è dotato di un termostato e di caratteristiche di sicurezza come la protezione antiribaltamento e quella contro il surriscaldamento.

DATI TECNICI

Codice modello	CH510AC CH510AC_GREY CH510AC_WHITE
Alimentazione elettrica	230V~ / 50/60Hz
Potenza nominale	1000 W
Impostazioni del termoconvettore	500 W / 1000 W
Range di temperature del termostato	5°C - 50°C
Classificazione IP	IP24
Frequenza Wi-Fi	2,4 Ghz

Codice modello	CH511AC CH511AC_GREY CH511AC_WHITE
Alimentazione elettrica	230V~ / 50/60Hz
Potenza nominale	1500 W

Codice modello	CH511AC CH511AC_GREY CH511AC_WHITE
Impostazioni del termoconvettore	750W / 1500W
Range di temperature del termostato	5°C - 50°C
Classificazione IP	IP24
Frequenza Wi-Fi	2,4 Ghz

Codice modello	CH512AC CH512AC_GREY CH512AC_WHITE
Alimentazione elettrica	230V~ / 50/60Hz
Potenza nominale	2000 W
Impostazioni del termoconvettore	1000W / 2000W
Range di temperature del termostato	5°C - 50°C
Classificazione IP	IP24
Frequenza Wi-Fi	2,4 Ghz

DESCRIZIONE

I numeri che compaiono nel testo si riferiscono alle figure A1, A2, A3, B e C riportate alle pagine 2-3.

1. Termoconvettore con pannello in vetro
2. Pulsanti di comando
 - A. Giù
 - B. Su
 - C. Wi-Fi / Luminosità
 - D. Selezione modalità
 - E. Timer
 - F. Accensione / Spegnimento
3. Display dello stato di funzionamento
 - A. Impostazione di temperatura / timer
 - B. Indicatore della temperatura
 - C. Blocco comandi
 - D. Wi-Fi
4. Indicatori della modalità operativa
 - A. Modalità Comfort
 - B. Modalità Eco
 - C. Modalità Antigelo
5. Vite
6. Supporto a pavimento
7. Vite per fissaggio al muro

8. Tassello a muro
9. Supporto a muro

3. USO



Controllare che l'apparecchio non sia danneggiato prima dell'uso e utilizzarlo solo se è in buone condizioni.

Quando si utilizza il termoconvettore per la prima volta, si potrebbe avvertire un leggero odore proveniente dall'elemento riscaldante. Si tratta di un fatto abbastanza normale. L'odore dovrebbe sparire dopo qualche giorno di utilizzo.

Collocazione del termoconvettore con pannello sul pavimento (fig. D)

- Installare i supporti da pavimento (6) sul lato inferiore del termoconvettore (1) utilizzando le viti in dotazione (5) (fig. D)
- Posizionare il termoconvettore in posizione eretta su una superficie stabile e piana.
- Mantenere una distanza minima di 1 m da materiali combustibili (mobili, tende, ecc.). Tenere lontano dagli ambienti umidi.



Avvertenza! Accertarsi di posizionare il termoconvettore in un punto sicuro per non rischiare di inciampare sull'apparecchio e cavo di alimentazione. Accertarsi di posizionare il termoconvettore dove non possa cadere / ribaltarsi.

Fissaggio del termoconvettore alla parete (fig. E-1, E-2, E-3, F-1, F-2, F-3)

- Osservare gli schemi dei fori nelle figure E-1, E-2, E-3. Trovare lo schema dei fori corrispondente al proprio modello di termoconvettore.
 - Per i modelli CH510AC / CH510AC_GREY / CH510AC_WHITE vedere la fig. E-1
 - Per i modelli CH511AC / CH511AC_GREY / CH511AC_WHITE vedere la fig. E-2
 - Per i modelli CH512AC / CH512AC_GREY / CH512AC_WHITE vedere la fig. E-3
- Fissare i due supporti a muro (9) alla parete con le viti in dotazione (7) (fig. F-1). Per installare l'apparecchio su un muro di cemento/mattoni usare i tasselli a muro (8) in dotazione. Fare riferimento allo schema dei fori menzionato in precedenza per assicurare la giusta distanza tra i supporti.

- Fissare i due supporti a muro (9) alla base del termoconvettore (1) con le viti in dotazione (5) (fig. F-2). I supporti installati fungeranno da distanziatori per assicurare il posizionamento del termoconvettore alla giusta distanza dal muro.
- Installare il pannello del termoconvettore a muro facendolo scorrere sui suddetti supporti (fig. F-3).

Avvio del termoconvettore a pannello (fig. B)

- Collegare il cavo di alimentazione alla presa di corrente.
- Premere il pulsante di accensione/spengimento (2F) sul pannello di controllo. Il pannello di controllo si accenderà.
- Utilizzare il pulsante di selezione della modalità (2D) per passare da una modalità operativa all'altra. La modalità operativa selezionata viene mostrata dagli indicatori 4A, 4B e 4C nel pannello di controllo. Le modalità operative disponibili sono:

4A	Modalità comfort	Riscaldamento a piena potenza
4B	Modalità Eco	Riscaldamento al 50% della potenza
4C	Modalità Antigelo	Riscaldamento spento a meno che la temperatura ambientale scenda al di sotto di 5 °C.

Regolazione della temperatura (fig. B)

- Come impostazione predefinita sul display viene visualizzata la temperatura ambientale. Premere il pulsante "Su" o "Giù" (2A o 2B) una volta per visualizzare la temperatura desiderata o temperatura obiettivo. Il valore della temperatura obiettivo sul display lampeggerà.
- Mentre il valore della temperatura obiettivo sul display lampeggia è possibile regolare la temperatura tra 5 °C e 50 °C premendo il pulsante "Su" o "Giù" (2A o 2B).
- Il valore della temperatura obiettivo continuerà a lampeggiare per 5 secondi dopo l'ultima pressione del pulsante, poi il display tornerà allo stato predefinito mostrando la temperatura ambientale.
- Si tenga presente che la temperatura obiettivo non può essere impostata quando il termoconvettore è in modalità Antigelo.

In questa modalità la temperatura obiettivo è fissata a 5 °C. La modalità operativa deve essere commutata nella modalità Comfort o Eco prima di poter impostare la temperatura obiettivo.

Blocco del pannello di controllo (fig. B)

È possibile bloccare il pannello di controllo per evitare modifiche accidentali o non autorizzate alle impostazioni del riscaldatore. Per bloccare il pannello di controllo, tenere premuto il pulsante "Su" (2B) per 3 secondi. Il termoconvettore emetterà un segnale acustico e l'indicatore di blocco del pannello di controllo (3C) si accenderà, segnalando che il pannello di controllo è bloccato. Per sbloccare il pannello di controllo, tenere premuto il pulsante "Giù" (2A) per 3 secondi.

Temperatura dell'ambiente costante

Il termoconvettore si avvia e si arresta automaticamente in modo da mantenere costante la temperatura dell'ambiente. Quando la temperatura dell'ambiente raggiunge la temperatura obiettivo, l'elemento riscaldante si spegne. Appena la temperatura ambientale inizia ad abbassarsi l'elemento riscaldante si riaccende.

Controllo di sicurezza automatico anti-surriscaldamento

Questo termoconvettore è dotato di un termostato di sicurezza interno e di un circuito di protezione contro il surriscaldamento. Quando viene raggiunta una potenziale temperatura di surriscaldamento, il sistema spegne automaticamente il termoconvettore.

Arresto del termoconvettore a pannello (fig. B)

Premere il pulsante di accensione/spengimento (2F) sul pannello di controllo. Il termoconvettore sarà posto in modalità standby. L'elemento riscaldante si spegnerà e il pannello di controllo sarà disattivato.

Conservazione del termoconvettore a pannello

Attendere sempre che il termoconvettore si sia raffreddato completamente prima di spostarlo o di riporlo. Assicurarsi di riporre il termoconvettore con la spina del cavo di alimentazione disinserita dalla presa di corrente.



Avvertenza. Non riporre l'apparecchio in un ambiente umido. Quando si ripone l'apparecchio, proteggerlo dalla polvere.

Dopo un periodo prolungato di deposito, controllare sempre che l'elemento riscaldante sia pulito e privo di polvere prima di utilizzare nuovamente il termoconvettore.

4. AZIONAMENTO A DISTANZA

Oltre all'azionamento manuale descritto sopra, il termoconvettore a pannello può anche essere azionato a distanza attraverso una rete Wi-Fi, utilizzando il proprio smartphone o tablet. L'app necessaria a tale scopo può essere scaricata e utilizzata gratuitamente.

Download dell'app sul proprio smartphone o tablet (fig. G)

- Scansare il codice QR (fig. G) con il proprio smartphone o tablet per scaricare e installare l'app "Smart Life".
- Nel caso in cui non sia possibile o non si desideri utilizzare il codice QR, è possibile anche installare l'app manualmente. Per farlo, visitare il Google Play Store o l'App Store di Apple con il proprio smartphone o tablet e cercare l'app "Smart Life" (fig. G).
- Una volta installata l'app, sarà necessario possedere un account "Smart Life" per poter effettuare l'accesso. Se ancora non si dispone di un account, è possibile crearne uno (gratuitamente) toccando il pulsante "Registrati" nell'app.

Associazione del termoconvettore a pannello con l'app "Smart Life" (fig. H, I)

- Porre il termoconvettore in modalità standby premendo il pulsante di accensione/spegnimento (2F). Il display del termoconvettore si spegnerà, e rimarrà illuminato solo il pulsante di accensione/spegnimento.
- Tenere premuto il pulsante Wi-Fi/Luminosità (2C) per almeno 3 secondi. L'indicatore di stato del Wi-Fi (3D) inizierà a lampeggiare.
- Mentre l'indicatore di stato Wi-Fi lampeggia, aprire l'app sul proprio smartphone o tablet e premere "Aggiungi un dispositivo".
- Selezionare il tipo di dispositivo, in questo

caso "Piccoli apparecchi -> Termoconvettore". Controllare nell'app che l'indicatore di stato del Wi-Fi sul termoconvettore stia lampeggiando.

- L'applicazione richiederà di selezionare una rete Wi-Fi e di inserire la password per la connessione alla rete. L'app invierà questi dati al termoconvettore, consentendogli di stabilire una connessione alla rete Wi-Fi.

Uso dell'app "Smart Life" (fig. J)

L'app "Smart Life" può essere usata per controllare tanti dispositivi diversi. Lo stato di ciascun dispositivo viene visualizzato nell'elenco dei dispositivi. Per il termoconvettore a pannello sono possibili i seguenti stati:

- Scollegato (l'apparecchio non riceve corrente o non è collegato alla rete Wi-Fi)
- Spento (l'alimentazione elettrica e la connessione di rete sono disponibili, ma il riscaldamento al momento è disabilitato)
- Acceso (l'alimentazione elettrica e la connessione di rete sono disponibili e il riscaldamento è abilitato)

Quando il termoconvettore è collegato (spento o acceso che sia), toccare il nome del dispositivo nell'app per aprire l'interfaccia di controllo.

Nota: se il termoconvettore è collegato non è possibile aprire l'interfaccia di controllo.

- Usare il pulsante di selezione della modalità per cambiare la modalità operativa del termoconvettore. Le modalità operative disponibili sono:

Modalità comfort	Riscaldamento a piena potenza
Modalità Eco	Riscaldamento al 50% della potenza
Modalità Antigelo	Riscaldamento spento a meno che la temperatura ambientale scenda al di sotto di 5 °C.
- Uso dei pulsanti "+" e "-" per impostare la temperatura obiettivo.

5. MANUTENZIONE



Prima di eseguire qualsiasi operazione di pulizia e intervento di manutenzione, spegnere sempre l'apparecchio e staccare la spina dalla presa di corrente.

Pulizia

Attendere che l'apparecchio si sia raffreddato completamente prima di pulirlo.

- Strofinare l'esterno dell'apparecchio con un panno morbido. Pulire le parti con sporco ostinato con una spugna umida, poi utilizzare un panno asciutto e pulito per asciugare a fondo. Fare attenzione a non permettere la penetrazione di acqua all'interno dell'apparecchio
- Per proteggere il termoconvettore non spruzzare acqua sull'apparecchio e non utilizzare mai solventi chimici o prodotti detergenti aggressivi.

Conservazione

- Prima di riporre il termoconvettore attendere che si sia raffreddato completamente.
- Riporre il termoconvettore in un ambiente asciutto e ben arieggiato.

TUTELA AMBIENTALE

Le apparecchiature elettriche o elettroniche difettose e/o scartate devono essere raccolte presso gli opportuni siti di riciclaggio.

Solo per i Paesi UE

Non smaltire gli elettrodomestici insieme ai rifiuti domestici. Secondo la Direttiva europea 2012/19/EU sui rifiuti delle apparecchiature elettriche ed elettroniche e relativa implementazione nelle normative locali, gli elettrodomestici ormai inutilizzabili devono essere raccolti separatamente e smaltiti in modo ecologico.

GARANZIA

I prodotti VONROC sono sviluppati secondo gli standard di qualità più elevati e sono garantiti esenti da difetti sia per quanto riguarda i materiali che la lavorazione per il periodo stabilito per legge a decorrere dalla data di acquisto iniziale. Se durante questo periodo il prodotto dovesse presentare dei difetti di materiali e/o di lavorazione, contattare direttamente VONROC.

Le seguenti circostanze sono escluse dalla garanzia:

- esecuzione o tentativo di esecuzione di riparazioni o modifiche all'apparecchio da parte di personale di centri di assistenza non autorizzati;
- usura normale;
- maltrattamento, uso improprio o manutenzione inadeguata dell'apparecchio;
- utilizzo di ricambi non originali.

La presente costituisce l'unica garanzia espressa o implicita fornita dall'azienda. Non sono concesse altre garanzie, espresse o implicite, oltre a quelle descritte in questo manuale, ivi comprese le garanzie implicite di commerciabilità e di idoneità a uno scopo particolare. In nessun caso VONROC sarà ritenuta responsabile di alcun danno incidentale o consequenziale. I rimedi offerti dai rivenditori si limiteranno alla riparazione o alla sostituzione delle unità o dei componenti non conformi.

Il prodotto e il manuale per l'utilizzatore sono soggetti a modifiche. I dati tecnici possono essere modificati senza ulteriore notifica.

Codice/i di identificazione modello: CH510AC, CH510AC_GREY, CH510AC_WHITE					
Dato	Simbolo	Valore	Unità	Dato	Unità
Potenza termica				Tipo di potenza termica, solo per gli apparecchi per il riscaldamento d'ambiente locale elettrici ad accumulo (selezionare una sola opzione)	
Potenza termica nominale	Pnom	1,0	kW	controllo manuale del carico termico, con termostato integrato	No
Potenza termica minima (indicativa)	Pmin	0,5	kW	controllo manuale del carico termico con riscontro della temperatura dell'ambiente e/o esterna	No
Potenza termica continua massima	Pmax,c	1,0	kW	controllo elettronico del carico termico con riscontro della temperatura dell'ambiente e/o esterna	No
Consumo ausiliario di energia elettrica				potenza termica assistita da ventola	No
Alla potenza termica nominale	elmax	N/D	kW	Tipo di potenza termica/controllo della temperatura dell'ambiente (selezionare una sola opzione)	
Alla potenza termica minima	elmin	N/D	kW	potenza termica a fase unica senza controllo della temperatura dell'ambiente	No
In modalità standby	eISB	0,00173	kW	Due o più fasi manuali senza controllo della temperatura dell'ambiente	No
				con controllo temperatura dell'ambiente tramite termostato meccanico	No
				con controllo temperatura dell'ambiente tramite termostato elettronico	No
				controllo elettronico della temperatura dell'ambiente più timer giornaliero	No
				controllo elettronico della temperatura dell'ambiente più timer settimanale	Sì
Altre opzioni di controllo (è possibile selezionare più opzioni)					
				controllo della temperatura dell'ambiente, con rilevatore di presenza	No
				controllo della temperatura dell'ambiente, con rilevatore di finestre aperte	Sì
				con opzione di controllo a distanza	Sì
				con controllo di avviamento adattivo	No
				con limitazione del tempo di funzionamento	Sì
				con sensore di temperatura a globo nero	No
Dati di contatto		VONROC • Lingenstraat 6 • 8028 PM • Zwolle • Paesi Bassi			

Codice/i di identificazione modello: CH511AC, CH511AC_GREY, CH511AC_WHITE					
Dato	Simbolo	Valore	Unità	Dato	Unità
Potenza termica				Tipo di potenza termica, solo per gli apparecchi per il riscaldamento d'ambiente locale elettrici ad accumulo (selezionare una sola opzione)	
Potenza termica nominale	Pnom	1,5	kW	controllo manuale del carico termico, con termostato integrato	No
Potenza termica minima (indicativa)	Pmin	0,75	kW	controllo manuale del carico termico con riscontro della temperatura dell'ambiente e/o esterna	No
Potenza termica continua massima	Pmax,c	1,5	kW	controllo elettronico del carico termico con riscontro della temperatura dell'ambiente e/o esterna	No
Consumo ausiliario di energia elettrica				potenza termica assistita da ventola	No
Alla potenza termica nominale	elmax	N/D	kW	Tipo di potenza termica/controllo della temperatura dell'ambiente (selezionare una sola opzione)	
Alla potenza termica minima	elmin	N/D	kW	potenza termica a fase unica senza controllo della temperatura dell'ambiente	No
In modalità standby	eISB	0,00173	kW	Due o più fasi manuali senza controllo della temperatura dell'ambiente	No
				con controllo temperatura dell'ambiente tramite termostato meccanico	No
				con controllo temperatura dell'ambiente tramite termostato elettronico	No
				controllo elettronico della temperatura dell'ambiente più timer giornaliero	No
				controllo elettronico della temperatura dell'ambiente più timer settimanale	Sì
				Altre opzioni di controllo (è possibile selezionare più opzioni)	
				controllo della temperatura dell'ambiente, con rilevatore di presenza	No
				controllo della temperatura dell'ambiente, con rilevatore di finestre aperte	Sì
				con opzione di controllo a distanza	Sì
				con controllo di avviamento adattivo	No
				con limitazione del tempo di funzionamento	Sì
				con sensore di temperatura a globo nero	No
Dati di contatto	VONROC • Lingenstraat 6 • 8028 PM • Zwolle • Paesi Bassi				

Codice/i di identificazione modello: CH512AC, CH512AC_GREY, CH512AC_WHITE					
Dato	Simbolo	Valore	Unità	Dato	Unità
Potenza termica				Tipo di potenza termica, solo per gli apparecchi per il riscaldamento d'ambiente locale elettrici ad accumulo (selezionare una sola opzione)	
Potenza termica nominale	Pnom	2,0	kW	controllo manuale del carico termico, con termostato integrato	No
Potenza termica minima (indicativa)	Pmin	1,0	kW	controllo manuale del carico termico con riscontro della temperatura dell'ambiente e/o esterna	No
Potenza termica continua massima	Pmax,c	2,0	kW	controllo elettronico del carico termico con riscontro della temperatura dell'ambiente e/o esterna	No
Consumo ausiliario di energia elettrica				potenza termica assistita da ventola	No
Alla potenza termica nominale	elmax	N/D	kW	Tipo di potenza termica/controllo della temperatura dell'ambiente (selezionare una sola opzione)	
Alla potenza termica minima	elmin	N/D	kW	potenza termica a fase unica senza controllo della temperatura dell'ambiente	No
In modalità standby	eISB	0,00173	kW	Due o più fasi manuali senza controllo della temperatura dell'ambiente	No
				con controllo temperatura dell'ambiente tramite termostato meccanico	No
				con controllo temperatura dell'ambiente tramite termostato elettronico	No
				controllo elettronico della temperatura dell'ambiente più timer giornaliero	No
				controllo elettronico della temperatura dell'ambiente più timer settimanale	Sì
				Altre opzioni di controllo (è possibile selezionare più opzioni)	
				controllo della temperatura dell'ambiente, con rilevatore di presenza	No
				controllo della temperatura dell'ambiente, con rilevatore di finestre aperte	Sì
				con opzione di controllo a distanza	Sì
				con controllo di avviamento adattivo	No
				con limitazione del tempo di funzionamento	Sì
				con sensore di temperatura a globo nero	No
Dati di contatto	VONROC • Lingenstraat 6 • 8028 PM • Zwolle • Paesi Bassi				

1. SÄKERHETSANVISNINGAR

Läs de medföljande säkerhetsvarningarna, de kompletterande säkerhetsvarningarna och anvisningarna. Underlåtenhet att följa säkerhetsvarningarna och anvisningarna kan orsaka elstöt, brand och/eller allvarlig skada. Spara säkerhetsvarningarna och anvisningarna som framtida referensmaterial.

Följande symboler används i användarhandboken eller på produkten:



Läs användarhandboken.



Anger risk för personskada, dödsfall eller skada på verktyget om anvisningarna i denna handbok inte följs.



Anger risk för elstöt.



Viktigt! VARNING: Täck inte elementet för att undvika överhettning.



Kassera inte produkten i olämpliga containrar.



Produkten uppfyller gällande säkerhetsnormer i EU-direktiven.

ALLMÄNNA SÄKERHETSANVISNINGAR

Denna apparat kan användas av barn från 8 år och personer med nedsatt fysisk eller psykisk förmåga eller bristande erfarenhet eller kunskap, om de övervakas eller får instruktioner om hur apparaten används på ett säkert sätt och är medvetna om riskerna. Barn får inte leka med apparaten. Rengöring och användarunderhåll ska inte utföras av barn utan övervakning.

Barn under 3 år bör hållas borta om de inte övervakas kontinuerligt.

Barn från 3 år och under 8 år får endast slå på/stänga av apparaten under förutsättning att den har placerats eller installerats i dess avsedda normala driftläge och de har tillsyn eller fått instruktioner om hur man använder apparaten på ett säkert sätt och förstår riskerna. Barn från 3 år och yngre än 8 år får inte koppla in, reglera och rengöra apparaten eller utföra användarunderhåll.



FÖRSIKTIGHET — Vissa delar av denna apparat kan bli mycket varma och orsaka brännskador. Var särskilt uppmärksam om barn och känsliga personer är närvarande.

KOMPLETTERANDE SÄKERHETSANVISNINGAR FÖR KONVEKTORELEMENT

- Barn ska hållas under uppsikt så att de inte leker med maskinen.
- Barn får inte ansluta, placera, använda, reglera och rengöra apparaten eller utföra användarunderhåll.
- FÖRSIKTIGHET- delar av denna apparat kan bli mycket varma och orsaka brännskador. Var särskilt uppmärksam om barn och känsliga personer är närvarande.
- Maskinen är inte lämplig för utomhusbruk, i badrum eller i andra våta eller fuktiga miljöer.
- Observera att maskinen kan bli mycket varm och därför bör placeras på ett säkert avstånd från brandfarliga föremål som möbler, gardiner och liknande.
- Täck inte över elementet.
- Maskinen får inte placeras omedelbart under ett uttag
- Anslut inte maskinen med en på/av-timer eller annan extern utrustning som automatiskt kan slå på enheten.
- Maskinen får inte placeras/användas i rum där brandfarliga vätskor eller gaser används eller lagras.
- Om en förlängningssladd används måste den vara så kort som möjligt och alltid vara helt förlängd.
- Du får inte ansluta andra apparater till samma eluttag som maskinen
- Använd inte maskinen i närheten av ett badkar, en dusch eller en pool.
- Om en strömssladd är skadad måste den bytas av tillverkaren, tillverkarens serviceombud eller liknande kvalificerad personal för att undvika fara.
- Se till att maskinen alltid är övervakad och håll barn och djur borta från den.
- Placera/använd inte maskinen på fordon i rörelse eller där det är lätt att snubbla över den.
- När maskinen inte används under en längre tid, koppla ur maskinen från eluttaget. Dra ut kontakten rakt ut, ta aldrig bort kontakten genom att dra i sladden.

- Håll maskinen långt från gardiner eller platser där luftintagsöppningar lätt kan blockeras.
- För att förhindra eventuella elektriska stötar eller läckström, använd aldrig maskinen med blöta händer, använd inte heller maskinen när det finns vatten på nätsladden.
- Kassera inte elektriska apparater som osorterat kommunalt avfall, använd separata återvinningscentraler. Kontakta lokala myndigheter för information om tillgängliga insamlingssystem. Om den elektriska apparaten slängs på deponier eller sottippar kan farliga ämnen läcka ut i grundvattnet och komma in i näringskedjan, vilket kan skada din hälsa och ditt välbefinnande.
- Denna apparat är inte avsedd att användas av personer (inklusive barn) med nedsatt fysisk, sensorisk eller mental förmåga eller brist på erfarenhet och kunskap, såvida de inte har fått handledning eller instruktioner om användningen av apparaten av en person som ansvarar för deras säkerhet.

Elsäkerhet

Följ alltid säkerhetsföreskrifterna som gäller i ditt land när du arbetar med elverktyg för att minska risken för brand, elstöt och personskada. Läs följande säkerhetsanvisningar och även de medföljande säkerhetsanvisningarna.

Kontrollera alltid så att spänningen på nätet motsvarar den spänning som finns angiven på märkplåten.

Om arbete med ett elverktyg i en fuktig lokal är oundvikligt, använd ett uttag som är skyddat med jordfelsbrytare (RCD). Användning av RCD minskar risken för elstötar.

2. MASKININFORMATION

Avsedd användning

Konvektorelementet med glaspanel är endast avsett för inomhusbruk. Maskinen måste placeras på ett stabilt underlag eller säkert monteras på en vägg med hjälp av de medföljande fästena. Maskinen kan styras via de manuella kontrollerna på frontpanelen, eller så kan den fjärrstyras över ett wifi-nätverk. Elementet är utrustat med termostat och säkerhetsfunktioner som tippskydd och överhettningsskydd.

TEKNISKA SPECIFIKATIONER

Modell-nr	CH510AC CH510AC_GRÅ CH510AC_VIT
Strömförsörjning	230V~ / 50/60Hz
Effekt	1000 W
Elementinställningar	500W / 1000W
Termostatintervall	5°C - 50°C
IP-värdering	IP24
Wifi-frekvens	2,4 Ghz

Modell-nr	CH511AC CH511AC_GRÅ CH511AC_VIT
Strömförsörjning	230V~ / 50/60Hz
Effekt	1500 W
Elementinställningar	750W / 1500W
Termostatintervall	5°C - 50°C
IP-värdering	IP24
Wifi-frekvens	2,4 Ghz

Modell-nr	CH512AC CH512AC_GRÅ CH512AC_VIT
Strömförsörjning	230V~ / 50/60Hz
Effekt	2000 W
Elementinställningar	1000W / 2000W
Termostatintervall	5°C - 50°C
IP-värdering	IP24
Wifi-frekvens	2,4 Ghz

BESKRIVNING

Siffrorna i texten nedan hänvisar till siffrorna som används i figurerna A1, A2, A3, B, C på sidan 2-3.

1. Konvektorelement med glaspanel
2. Manöverknappar
 - A. ner
 - B. upp
 - C. WiFi/Brightness
 - D. Mode
 - E. Timer
 - F. på/av

3. Statusdisplay
 - A. temperatur/timer-inställning
 - B. temperaturindikator
 - C. kontrollås
 - D. wifi
4. Driftlägesindikatorer
 - A. komfortläge
 - B. Eco-läge
 - C. frostskyddsläge
5. Skruv
6. Golvstativ
7. Vägghöjningskruv
8. Vägghöjningsplugg
9. Vägghöjningsfäste

3. DRIFT



Kontrollera om enheten är skadad före användning och använd den endast i gott skick.

När du använder elementet för första gången kan du märka ett litet rökutsläpp. Detta är helt normalt och det bör försvinna efter att ha använt elementet en tid.

Placera elementet på golvet (fig. D)

- Montera golvstativen (6) på undersidan av elementet (1) med hjälp av de medföljande skruvarna (5) (fig. D)
- Placera elementet uppåt på en stabil och plan yta.
- Håll ett avstånd på minst 1 m från brännbara material (möbler, gardiner, etc.). Förvaras åtskilt från våta miljöer.



Varning! Se till att placera elementet på en säker plats, så att du inte lätt kan snubbla över det och kabeln. Se till att placera elementet så att det inte kan falla ner/av.

Montering av konvektorelementet på väggen (fig. E-1, E-2, E-3, F-1, F-2, F-3)

- Observera hålmönstren i fig. E-1, E-2, E-3. Hitta det hålmönster som motsvarar ditt element.
 - För CH510AC / CH510AC_GRÅ / CH510AC_VIT se fig. E-1
 - För CH511AC / CH511AC_GRÅ / CH511AC_VIT se fig. E-2
 - För CH512AC / CH512AC_GRÅ / CH512AC_VIT se fig. E-3

- Montera två väggmonteringsfästen (9) på väggen med hjälp av de medföljande skruvarna (7) (fig. F-1). Använd de medföljande väggpluggarna (8) vid montering på en betong-/tegelvägg. Se ovanstående hålmönster för att säkerställa rätt avstånd mellan fästena.
- Montera två väggmonteringsfästen (9) på undersidan av elementet (1) med hjälp av de medföljande skruvarna (5) (fig. F-2). De installerade fästena kommer att fungera som en distans för att säkerställa att elementet kommer att placeras på rätt avstånd från väggen.
- Montera konvektorelementet på väggen genom att skjuta det på väggfästena (fig. F-3).

Starta konvektorelementet (fig. B)

- Anslut kabeln till strömuttaget.
- Tryck på strömbrytaren (2F) på kontrollpanelen. Kontrollpanelen kommer nu att aktiveras.
- Använd lägesknappen (2D) för att växla mellan driftlägen. Det valda driftläget visas av indikatorerna 4A, 4B eller 4C på kontrollpanelen. De tillgängliga lägena är:

4A Comfort mode	uppvärmning på full effekt
4B Eco mode	uppvärmning med 50 % effekt
4C Anti-frost mode	uppvärmning av, om inte omgivningstemperaturen sjunker under 5 °C

Justering av temperaturen (fig. B)

- Som standard visas den omgivande temperaturen på displayen. Tryck på ned- eller upp-knappen (2A eller 2B) en gång för att visa måltemperaturen. Måltemperaturen blinkar.
- Medan måltemperaturen blinkar kan den justeras mellan 5 °C och 50 °C genom att trycka på ned- eller uppknapparna (2A eller 2B).
- Måltemperaturen fortsätter att blinka i 5 sekunder efter den senaste knapptryckningen, sedan återgår displayen till standardläget som visar omgivningstemperaturen.
- Observera att måltemperaturen inte kan justeras när elementet är i frostskyddsläge. Måltemperaturen är fixerad till 5 °C i detta driftläge. Driftläget måste först ändras till Komfortläge eller Ekoläge innan måltemperaturen kan justeras.

Kontrollpanellås (fig. B)

Kontrollpanelen kan vara låst för att förhindra oavsiktliga eller obehöriga justeringar av elementets inställningar. För att låsa kontrollpanelen, tryck ner och håll upp-knappen (2B) i 3 sekunder. Elementet piper och kontrollåsindikatorn (3C) tänds för att signalera att kontrollpanelen är låst. För att avaktivera kontrollpanellåset, tryck och håll nere ner-knappen (2A) i 3 sekunder.

Konstant rumstemperatur

Elementet startar och stannar nu automatiskt och håller rumstemperaturen konstant. När omgivningstemperaturen i rummet når önskad måltemperatur, stängs värmeelementet av. När omgivningstemperaturen börjar sjunka kommer värmeelementet att slås på igen.

Automatisk överhettningsskyddskontroll

Detta element är utrustat med säkerhetsintern värmebegränsande termostat och överhettningsskyddskrets. När en potentiell överhettningstemperatur uppnås stänger systemet automatiskt av elementet.

Stänga av konvektorelementet (fig. B)

Tryck på strömbrytaren (2F) på kontrollpanelen. Elementet sätts i standby-läge. Värmeelementet stängs av och kontrollpanelen avaktiveras.

Förvaring av konvektorelementet

Låt alltid elementet svalna helt innan du förvarar det. Se till att elementet är urkopplat från elnätet under förvaring.



Varning. Förvara aldrig maskinen i en våt miljö. Skydda maskinen från damm under förvaring.

Efter en längre tid i förvaring, kontrollera alltid att värmeelementet är rent och fritt från damm innan du använder det igen.

4. FJÄRRSTYRNING

Utöver den tidigare nämnda manuella manövreringen kan konvektorelementet även fjärrstyras över ett wifi-nätverk med din smarta telefon eller surfplatta. Appen som behövs kan laddas ner och användas utan kostnad.

Ladda ner appen till din telefon eller surfplatta (fig. G)

- Skanna QR-koden (fig. G) på din telefon eller surfplatta för att ladda ner och installera appen "Smart Life".
- Om du inte kan eller vill använda QR-koden kan du även installera appen manuellt. För att göra detta besöker du Google Play Store eller Apple App Store på din telefon eller surfplatta. Sök efter appen "Smart Life" (fig. G)
- Efter att appen har installerats behöver du ett "Smart Life"-konto för att logga in. Om du ännu inte har ett konto kan du skapa ett (kostnadsfritt) genom att trycka på knappen "Register" i appen.

Para ihop ditt konvektorelement med "Smart Life"-appen (fig. H, I)

- Sätt elementet i standby-läge genom att trycka på strömbrytaren (2F). Elementets display stängs av, endast strömbrytaren förblir tänd.
- Tryck och håll knappen WiFi/Brightness (2C) intryckt i minst 3 sekunder. Wifi-statusindikatorn (3D) börjar blinka.
- Medan wifi-statusindikatorn blinkar öppnar du appen på din telefon eller surfplatta och trycker på Lägg till en enhet.
- Välj enhetstyp, i det här fallet Small appliances -> Heater. Bekräfta i appen att wifi-statusindikatorn på elementet blinkar.
- Du kommer att uppmanas av appen att välja ett wifi-nätverk och ange wifi-lösenordet. Appen skickar dessa uppgifter till elementet, vilket gör att elementet kan upprätta en anslutning till ditt wifi-nätverk.

Använda appen "Smart Life" (fig. J)

Appen "Smart Life" kan användas för att styra många olika enheter. Status för varje enhet visas på enhetslistan. Följande tillstånd är möjliga för konvektorelementet:

- Offline (enheten är inte strömförsörjd eller inte ansluten till wifi-nätverket)
- Turned Off (ström och nätverksanslutning är tillgängliga, uppvärmning är för närvarande inaktiverad)
- Turned On (ström och nätverksanslutning är tillgängliga, uppvärmning är aktiverad)

När elementet är online (antingen avstängt eller påslaget) tryck på enhetsnamnet i appen för att

öppna kontrollgränssnittet.

Obs: när elementet är offline kommer du inte att kunna öppna kontrollgränssnittet.

- Använd Mode-knappen för att ändra elementets driftläge. De tillgängliga lägena är:
 Comfort mode uppvärmning på full effekt
 Eco mode uppvärmning med 50 % effekt
 Anti-frost mode uppvärmning av, om inte omgivningstemperaturen sjunker under 5 °C
- Använd knapparna '+' och '-' för att justera måltemperaturen.

5. UNDERHÅLL



Stäng alltid av maskinen och ta ut strömkontakten från strömkällan innan rengöring och underhåll.

Rengöring



Låt maskinen svalna helt innan rengöring.

- Torka av höljet med en mjuk trasa. För mycket smutsiga delar, torka av med en fuktig trasa och använd sedan en torr trasa för att torka helt torrt. Var försiktig så att inget vatten kommer in i apparaten
- För att skydda elementet, stänk inte vatten på det och använd aldrig kemiska lösningsmedel eller aggressiva rengöringsprodukter.

Förvaring

- Låt elementet svalna helt innan du ställer undan det för förvaring.
- Förvara elementet på en torr, välventilerad plats

MILJÖ



Felaktig och/eller kasserad elektrisk eller elektronisk utrustning måste lämnas in på lämpliga återvinningsstationer.

Endast för EU-länder

Kassera inte elverktyg i hushållsavfall. Enligt den europeiska riktlinjen 2012/19/EU om kasserad elektrisk och elektronisk utrustning och dess tillämpning i nationell rätt måste elverktyg som inte längre är användbara samlas in separat och kasseras på ett miljövänligt sätt.

GARANTI

VONROC-produkter är utvecklade enligt högsta kvalitetsstandard och garanteras fria från defekter i både material och utförande under den period som lagen föreskriver från och med inköpsdatumet. Om produkten skulle utveckla fel under denna period på grund av defekt material och/eller utförande, kontakta då VONROC direkt.

Följande omständigheter är undantagna från denna garanti:

- Reparationer och/eller ändringar har gjorts eller försökts utföras på maskinen av obehöriga servicecenter;
- Normalt slitage;
- Verktuget har missbrukats, använts på fel sätt eller underhållits felaktigt;
- Reservdelar som inte är original har använts.

Detta utgör den enda garantin som företaget ger antingen uttryckt eller underförstått. Det finns inga andra garantier uttryckta eller underförstådda som sträcker sig bortom detta, inklusive de underförstådda garantierna för säljbarhet och lämplighet för ett visst syfte. Under inga omständigheter ska VONROC hållas ansvarigt för indirekta skador eller följdskador. Återförsäljarnas åtgärder ska begränsas till reparation eller byte av enheter eller delar som inte uppfyller kraven.

Produkten och användarhandboken kan ändras. Specifikationerna kan ändras utan förvarning.

Modellbeteckning: CH510AC, CH510AC_GREY, CH510AC_VIT					
Artikel	Symbol	Värde	Enhet	Artikel	Enhet
Värmeeffekt				Typ av värmeinmatning, endast för lokala förvaringsvärmare för elektrisk lagring (välj en)	
Nominell värmeeffekt	P _{nom}	1,0	kW	manuell värmeladdningskontroll, med integrerad termostat	Nr
Minsta värmeeffekt (indikativ)	P _{min}	0,5	kW	manuell värmeladdningskontroll med rums- och/eller utetemperaturåterkoppling	Nr
Maximal kontinuerlig värmeeffekt	P _{max,c}	1,0	kW	elektronisk värmeladdningskontroll med rums- och/eller utetemperaturåterkoppling	Nr
Extra elförbrukning				fläktassisterad värmeeffekt	Nr
Vid nominell värmeeffekt	e _{lmax}	Ej tillämpligt	kW	Typ av värmeeffekt/rumstemperaturreglering (välj en)	
Vid minsta nominell värmeeffekt	e _{lmin}	Ej tillämpligt	kW	enstegs värmeeffekt och ingen rumstemperaturreglering	Nr
I standbyläge	e _{lSB}	0,00173	kW	Två eller flera manuella steg, ingen rumstemperaturreglering	Nr
				med mekanisk termostat rumstemperaturreglering	Nr
				med elektronisk rumstemperaturreglering	Nr
				elektronisk rumstemperaturreglering plus dagtimer	Nr
				elektronisk rumstemperaturreglering plus veckotimer	Ja
				Andra kontrollalternativ (flera val möjliga)	
				rumstemperaturreglering, med närvarodetektering	Nr
				rumstemperaturreglering, med detektering av öppna fönster	Ja
				med alternativ för fjärrkontroll	Ja
				med adaptiv startkontroll	Nr
				med begränsad arbetstid	Ja
				med svart lampsensor	Nr
Kontaktuppgifter	VONROC • Lingenstraat 6 • 8028 PM • Zwolle • Nederländerna				

Modellbeteckning: CH511AC, CH511AC_GREY, CH511AC_VIT					
Artikel	Symbol	Värde	Enhet	Artikel	Enhet
Värmeeffekt				Typ av värmeinmatning, endast för lokala förvaringsvärmare för elektrisk lagring (välj en)	
Nominell värmeeffekt	Pnom	1,5	kW	manuell värmeladdningskontroll, med integrerad termostat	Nr
Minsta värmeeffekt (indikativ)	Pmin	0,75	kW	manuell värmeladdningskontroll med rums- och/eller utetemperaturåterkoppling	Nr
Maximal kontinuerlig värmeeffekt	Pmax,c	1,5	kW	elektronisk värmeladdningskontroll med rums- och/eller utetemperaturåterkoppling	Nr
Extra elförbrukning				fläktassisterad värmeeffekt	Nr
Vid nominell värmeeffekt	elmax	Ej tillämpligt	kW	Typ av värmeeffekt/rumstemperaturreglering (välj en)	
Vid minsta nominell värmeeffekt	elmin	Ej tillämpligt	kW	enstegs värmeeffekt och ingen rumstemperaturreglering	Nr
I standbyläge	elSB	0,00173	kW	Två eller flera manuella steg, ingen rumstemperaturreglering	Nr
				med mekanisk termostat rumstemperaturreglering	Nr
				med elektronisk rumstemperaturreglering	Nr
				elektronisk rumstemperaturreglering plus dagtimer	Nr
				elektronisk rumstemperaturreglering plus veckotimer	Ja
				Andra kontrollalternativ (flera val möjliga)	
				rumstemperaturreglering, med närvarodetektering	Nr
				rumstemperaturreglering, med detektering av öppna fönster	Ja
				med alternativ för fjärrkontroll	Ja
				med adaptiv startkontroll	Nr
				med begränsad arbetstid	Ja
				med svart lampsensor	Nr
Kontaktuppgifter	VONROC • Lingenstraat 6 • 8028 PM • Zwolle • Nederländerna				

Modellbeteckning: CH512AC, CH512AC_GREY, CH512AC_VIT					
Artikel	Symbol	Värde	Enhet	Artikel	Enhet
Värmeeffekt				Typ av värmeinmatning, endast för lokala förvaringsvärmare för elektrisk lagring (välj en)	
Nominell värmeeffekt	Pnom	2,0	kW	manuell värmeladdningskontroll, med integrerad termostat	Nr
Minsta värmeeffekt (indikativ)	Pmin	1,0	kW	manuell värmeladdningskontroll med rums- och/eller utetemperaturåterkoppling	Nr
Maximal kontinuerlig värmeeffekt	Pmax,c	2,0	kW	elektronisk värmeladdningskontroll med rums- och/eller utetemperaturåterkoppling	Nr
Extra elförbrukning				fläktassisterad värmeeffekt	Nr
Vid nominell värmeeffekt	elmax	Ej tillämpligt	kW	Typ av värmeeffekt/rumstemperaturreglering (välj en)	
Vid minsta nominell värmeeffekt	elmin	Ej tillämpligt	kW	enstegs värmeeffekt och ingen rumstemperaturreglering	Nr
I standbyläge	eISB	0,00173	kW	Två eller flera manuella steg, ingen rumstemperaturreglering	Nr
				med mekanisk termostat rumstemperaturreglering	Nr
				med elektronisk rumstemperaturreglering	Nr
				elektronisk rumstemperaturreglering plus dagtimer	Nr
				elektronisk rumstemperaturreglering plus veckotimer	Ja
				Andra kontrollalternativ (flera val möjliga)	
				rumstemperaturreglering, med närvarodetektering	Nr
				rumstemperaturreglering, med detektering av öppna fönster	Ja
				med alternativ för fjärrkontroll	Ja
				med adaptiv startkontroll	Nr
				med begränsad arbetstid	Ja
				med svart lampsensor	Nr
Kontaktuppgifter	VONROC • Lingenstraat 6 • 8028 PM • Zwolle • Nederländerna				

1. TURVALLISUUSOHJEET

Lue tämän ohjekirjan varoitukset, lisäturvallisuusohjeet ja ohjeet. Jos turvallisuusvaroituksia ja ohjeita ei noudateta, seurauksena voi olla sähköisku, tulipalo ja/tai vakava henkilövahinko. Säilytä turvallisuusvaroitukset ja ohjeet tulevaa käyttöä varten.

Ohjekirjassa ja tuotteessa käytetään seuraavia merkkejä:



Lue ohjekirja.



Ilmoittaa henkilövahingon, kuoleman tai työkalun vaurioitumisen vaarasta, jos tämän ohjekirjan ohjeita ei noudateta.



Ilmoittaa sähköiskun vaarasta.



Tärkeää! VAROITUS: Älä peitä lämmitintä likuumenemisen välttämiseksi.



Älä hävitä tuotetta virheellisesti.



Tuote täyttää Euroopan direktiivien soveltuvien turvallisuusstandardien vaatimukset.

YLEISET TURVALLISUUSVAROITUKSET

Vähintään 8 vuotta täyttäneet lapset ja fyysisesti, motorisesti tai henkisesti rajoitteiset tai kokemattomat tai taitamattomat henkilöt saavat käyttää tätä laitetta edellyttäen, että heitä valvotaan ja opastetaan laitteen turvallisessa käytössä ja he ymmärtävät sen käyttöön liittyvät vaarat. Älä anna lasten leikkiä laitteella. Lapset eivät saa puhdistaa tai huoltaa laitetta ilman valvontaa.

Alle 3-vuotiaat lapset tulee pitää poissa, ellei heitä valvota jatkuvasti.

Yli 3-vuotiaat ja alle 8-vuotiaat lapset saavat kytkeä laitteen päälle ja pois päältä vain, jos se on asetettu tai asennettu sille tarkoitettuun normaaliin käyttöasentoon ja heitä valvotaan tai opastetaan laitteen turvallisessa käytössä ja he ymmärtävät käyttöön liittyvät vaarat. Yli 3-vuotiaat ja alle 8-vuotiaat lapset eivät saa kytkeä laitetta pistorasiaan, säätää ja puhdistaa laitetta tai suorittaa käyttäjän huoltoa.



HUOMIO — jotkin tämän tuotteen osat voivat kuumentua ja aiheuttaa palovammoja. Erityistä huomiota on kiinnitettävä mahdollisesti lähellä oleviin lapsiin ja haavoittuviin henkilöihin.

LISÄVAROITUKSET KONVEKTORILÄMMITIMELLE

- Lapset tulee pitää loitolla, ellei heitä valvota jatkuvasti, jotta he eivät leikkisi laitteella.
- Lapset eivät saa kytkeä, sijoittaa, käyttää, säätää ja puhdistaa laitetta tai suorittaa käyttäjän huoltoa.
- HUOMIO - jotkin tämän tuotteen osat voivat kuumentua ja aiheuttaa palovammoja. Erityistä huomiota on kiinnitettävä mahdollisesti lähellä oleviin lapsiin ja haavoittuviin henkilöihin.
- Laite ei sovellu käytettäväksi ulkona, kylpyhuoneissa tai muissa märissä tai kosteissa ympäristöissä.
- Huomaa, että laite voi kuumentua erittäin kuumaksi, joten se tulee sijoittaa turvalliselle etäisyydelle syttyvistä esineistä, kuten huonekaluista, verhoista ja vastaavista.
- Älä peitä lämmitintä.
- Laitetta ei saa sijoittaa välittömästi pistorasian alapuolelle.
- Älä kytke laitetta päälle/pois-ajastimella tai muulla ulkoisella laitteella, joka voi käynnistää laitteen automaattisesti.
- Laitetta ei saa sijoittaa eikä sitä saa käyttää tiloissa, joissa on syttyviä nesteitä tai kaasuja.
- Jos käytetään jatkojohtoa, sen on oltava mahdollisimman lyhyt ja aina täysin pidennettynä.
- Älä kytke muita laitteita samaan pistorasiaan laitteen kanssa.
- Älä käytä laitetta kylvyn, suihkun tai uima-altaan välittömässä läheisyydessä.
- Jos virtajohto on vaurioitunut, se tulee vaihdattaa valmistajalla, valmistajan huoltopalvelussa tai vastaavalla pätevällä asiantuntijalla vaarojen välttämiseksi.
- Varmista, että laitetta valvotaan aina ja pidä lapset ja eläimet poissa sen ulottuvilta.
- Älä aseta laitetta tai käytä sitä liikkuvissa ajoneuvoissa tai paikoissa, joissa siihen on helppo kompastua.
- Kun laitetta ei käytetä pitkään aikaan, irrota se pistorasiasta. Vedä pistokkeesta, älä koskaan irrota pistoketta johdosta vetämällä.

- Pidä kone kaukana verkoista tai paikoista, joissa ilmanottoaukko voi helposti tukkeutua.
- Vältä ääksesi mahdollisen sähköiskun tai vuotovirran, älä koskaan käytä laitetta märillä käsillä tai kun virtajohtossa on vettä.
- Älä hävitä sähkölaitteita lajittelemattoman yhdyskuntajätteen mukana, vaan vie ne erillisiin keräyspisteisiin. Ota yhteyttä paikalliseen viranomaiseen saadaksesi tietoja käytettävissä olevista keräysjärjestelmistä. Jos sähkölaitteet viedään kaatopaikoille, vaarallisia aineita voi vuotaa pohjaveteen ja päästä ravintoketjuun vahingoittaen terveyttäsi ja hyvinvointiasi.
- Tätä laitetta ei ole tarkoitettu sellaisten henkilöiden (lapset mukaan lukien) käytettäväksi, joilla on fyysisiä, aistillisia tai henkisiä puutteita tai puutteellinen kokemus ja tuntemus, ellei heidän turvallisuudestaan vastuussa oleva henkilö ohjaa tai valvo heitä laitteen käytössä.

Sähköturvallisuus

Noudata aina sähkötyökaluihin soveltuvia maakohtaisia turvallisuusmääräyksiä tulipalon, sähköiskun ja henkilövahinkovaaran välttämiseksi. Lue seuraavat turvallisuusohjeet sekä tuotteen mukana toimitetut turvallisuusohjeet.

Tarkista aina, että virtalähteen jännite vastaa arvokilvessä olevaa jännitettä.

Jos sähkötyökalua on käytettävä kosteassa ympäristössä, käytä vikavirtasuojakytkintä (RCD). Vikavirtasuojakytkimen käyttö vähentää sähköiskun vaaraa.

2. KONEEN TIEDOT

Käyttötarkoitus

Konvektorilämmitin lasipaneelilla on tarkoitettu vain sisäkäyttöön. Laite on asetettava vakaalle alustalle tai kiinnitettävä tukevasti seinään mukana toimitetuilla kiinnikkeillä. Laitetta voidaan ohjata etupaneelin manuaalisilla säätimillä tai etänä Wi-Fi-verkon kautta. Lämmittimessä on termostaatti ja turvaominaisuudet, kuten kaatumissuoja ja ylikuumenemissuoja.

TEKNISET TIEDOT

Mallinro	CH510AC CH510AC_HARMAA CH510AC_VALKOINEN
Virransyöttö	230V~ / 50/60Hz
Teholuokitus	1000 W
Lämmittimen asetukset	500 W / 1000 W
Termostaatin säätöväli	5°C - 50°C
IP-luokitus	IP24
Wi-Fi-taajuus	2,4 Ghz

Mallinro	CH511AC CH511AC_HARMAA CH511AC_VALKOINEN
Virransyöttö	230V~ / 50/60Hz
Teholuokitus	1500 W
Lämmittimen asetukset	750 W / 1500 W
Termostaatin säätöväli	5°C - 50°C
IP-luokitus	IP24
Wi-Fi-taajuus	2,4 Ghz

Mallinro	CH512AC CH512AC_HARMAA CH512AC_VALKOINEN
Virransyöttö	230V~ / 50/60Hz
Teholuokitus	2000 W
Lämmittimen asetukset	1000 W / 2000 W
Termostaatin säätöväli	5°C - 50°C
IP-luokitus	IP24
Wi-Fi-taajuus	2,4 Ghz

KUVAUS

Alla olevan tekstin numerot viittaavat sivun 2-3 kuvissa A1, A2, A3, B, C käytettyihin numeroihin.

1. Konvektorilämmitin lasipaneelilla
2. Säätöpainikkeet
 - A. Alas
 - B. Ylös
 - C. Wi-Fi / kirkkaus
 - D. Tila
 - E. Ajastin
 - F. Päälle / Pois

3. Tilanäyttö
 - A. Lämpötilan/ajastimen asetus
 - B. Lämpötilailmaisin
 - C. Ohjauspaneelin lukitus
 - D. Wi-Fi
4. Käyttötilan ilmaisimet
 - A. Mukavuustila
 - B. Säästötila
 - C. Jäätymisenestotila
5. Ruuvi
6. Lattiajalusta
7. Ruuvi seinäasennukseen
8. Pistoke
9. Seinäkannatin

3. KÄYTTÖ



Tarkista laite vaurioiden varalta ennen käyttöä ja käytä laitetta vain silloin, kun se on hyvässä toimintakunnossa.

Kun käytät lämmitintä ensimmäistä kertaa, lämmityselementistä saattaa syntyä hiukan hajua. Tämä on normaalia ja se häviää, kun lämmitintä on käytetty jonkin aikaa.

Konvektorilämmittimen sijoittaminen lattialle (kuva D)

- Asenna lattialjalustat (6) lämmittimen (1) alapuolelle mukana toimitetuilla ruuveilla (5) (kuva D).
- Aseta lämmitin pystyasentoon kiinteälle ja tasaiselle alustalle.
- Varmista vähintään 1 metrin etäisyys palaviini materiaaleihin (huonekalut, verhot jne.). Pidä poissa märistä ympäristöistä.



Varoitus! Varmista, että sijoitat lämmittimen turvalliseen paikkaan, jotta laitteeseen ja kaapeliin ei voi helposti kompastua. Muista sijoittaa lämmitin paikkaan, jossa se ei voi pudota.

Konvektorilämmittimen asentaminen seinään (kuvat E-1, E-2, E-3, F-1, F-2, F-3)

- Huomioi kuvan 1 reikäkuviot (kuvat E-1, E-2, E-3). Paikanna lämmitintäsi vastaava reikäkuvio.
 - CH510AC / CH510AC_GREY / CH510AC_VALKOINEN katso kuva E-1
 - CH511AC / CH511AC_GREY / CH511AC_VALKOINEN katso kuva E-2
 - CH512AC / CH512AC_GREY / CH512AC_VALKOINEN katso kuva E-3

- Asenna kaksi seinäkannatinta (9) seinään mukana toimitetuilla ruuveilla (7) (kuva F-1). Käytä mukana tulevia seinätulppia (8), kun asennat laitteen betoni-/tiiliseinään. Katso edellä mainitut reikäkuviot varmistaaksesi oikean etäisyyden kannattimien välillä.
- Asenna kaksi seinäkannatinta (9) lämmittimen (1) alapuolelle mukana tulevilla ruuveilla (5) (kuva F-2). Asennetut kannattimet varmistavat, että lämmitin on sijoitettu oikealle etäisyydelle seinästä.
- Kiinnitä konvektorilämmittimen paneeli seinään liu'uttamalla se seinäkannattimien päälle (kuva F-3).

Konvektorilämmittimen käynnistäminen (kuva B)

- Kytke kaapeli pistorasiaan.
- Paina ohjauspaneelin virtapainiketta (2F). Tämä aktivoi ohjauspaneelin.
- Käytä tilapainiketta (2D) vaihtaaksesi käyttötilaa. Ohjauspaneelin ilmaisimet 4A, 4B tai 4C osoittavat valitun käyttötilan. Käytettävissä olevat tilat:

4A Mukavuustila	Lämmitys täydellä teholla
4B Säästötila	Lämmitys 50 %:n teholla
4C Jäätymisenestotila	Lämmitys pois päältä, ellei ympäristön lämpötila laske alle 5 °C

Lämpötilan säätäminen (kuva B)

- Oletusarvoisesti ympäristön lämpötila näkyy näytössä. Paina Alas- tai Ylös-painiketta (2A tai 2B) kerran näyttääksesi tavoitelämpötilan. Tavoitelämpötila vilkkuu.
- Kun tavoitelämpötila vilkkuu, sitä voidaan säätää välillä 5 °C - 50 °C painamalla alas- tai ylös-painikkeita (2A tai 2B).
- Tavoitelämpötila vilkkuu 5 sekunnin ajan viimeisen painikkeen painalluksen jälkeen, minkä jälkeen näyttö palaa oletustilaan ja näyttää ympäristön lämpötilan.
- Huomaa, että tavoitelämpötilaa ei voi säätää, kun lämmitin on jäätymisenestotilassa. Tavoitelämpötila on 5 °C tässä käyttötalassa. Käyttötila on ensin vaihdettava mukavuus- tai säästötilaan ennen kuin tavoitelämpötilaa voidaan säätää.

Ohjauspaneelin lukitus (kuva B)

Ohjauspaneeli voidaan lukita, jotta estetään lämmittimen asetusten tahaton tai luvaton säätö. Lukitse ohjauspaneeli painamalla ylös-painiketta (2B) ja pitämällä sitä painettuna 3 sekunnin ajan. Lämmittimestä kuuluu äänimerkki ja ohjauspaneelin lukituksen merkkivalo (3C) syttyy merkinä siitä, että ohjauspaneeli on lukittu. Voit poistaa ohjauspaneelin lukituksen käytöstä painamalla alas-painiketta (2A) 3 sekunnin ajan.

Pysyvä huoneenlämpötila

Lämmitin käynnistyy ja pysähtyy automaattisesti pitääkseen huoneenlämpötilan vakiona. Kun huoneenlämpötila saavuttaa halutun tavoitelämpötilan, lämmityselementti kytkeytyy pois päältä. Kun ympäristön lämpötila alkaa laskea, lämmityselementti kytkeytyy uudelleen päälle.

Automaattinen ylikuumenemissuoja

Tässä lämmitinissä on sisäinen turvatermostaatti ja ylikuumenemissuojapiiri. Kun mahdollinen ylikuumenemislämpötila saavutetaan, järjestelmä sammuttaa lämmittimen automaattisesti.

Konvektorilämmittimen pysäyttäminen (kuva B)

Paina ohjauspaneelin virtapainiketta (2F). Lämmitin siirtyy valmiutilaan. Lämmityselementti kytkeytyy pois päältä ja ohjauspaneeli poistuu käytöstä.

Konvektorilämmittimen varastointi

Anna lämmittimen aina jäähtyä täysin ennen lämmittimen siirtämistä tai varastointia. Varmista, että lämmitin on irrotettu verkkovirrasta varastoinnin aikana.



Varoitus. Älä säilytä laitetta märässä ympäristössä. Suojaa laite pölyltä varastoinnin aikana.

Varmista aina pitkän varastoinnin jälkeen, että lämmityselementti on puhdas ja pölytön, ennen kuin käytät lämmitintä uudelleen.

4. ETÄKÄYTTÖ

Edellä mainitun manuaalisen käytön lisäksi konvektorilämmitintä voidaan ohjata myös etänä älypuhelimella tai tabletilla Wi-Fi-verkon kautta. Tarvittava sovellus on ladattavissa ja sen käyttö on ilmaista.

Sovelluksen lataaminen puhelimeen tai tablettiin (kuva G)

- Lataa ja asenna "Smart Life" -sovellus skannaamalla QR-koodi (kuva G) puhelimellasi tai tabletillasi.
- Jos et voi tai halua käyttää QR-koodia, voit asentaa sovelluksen myös manuaalisesti. Voit tehdä tämän siirtymällä puhelimellasi tai tabletillasi Google Play Storeen tai Apple App Storeen. Etsi "Smart Life" -sovellus (kuva G)
- Kun sovellus on asennettu, tarvitset "Smart Life" -tilin kirjautumiseen. Jos sinulla ei vielä ole tiliä, voit luoda sen (ilmaiseksi) napauttamalla "Rekisteröidy" -painiketta sovelluksessa.

Konvektorilämmittimen yhdistäminen "Smart Life" -sovellukseen (kuva H, I)

- Aseta lämmitin valmiutilaan painamalla virtapainiketta (2F). Lämmittimen näyttö sammuu, vain virtapainike jää palamaan.
- Paina Wi-Fi/kirkkkaus-painiketta (2C) ja pidä sitä painettuna vähintään 3 sekuntia. Wi-Fi-tilan ilmaisin (3D) alkaa vilkkua.
- Kun Wi-Fi-tilan merkkivalo vilkkuu, avaa sovellus puhelimellasi tai tabletillasi ja paina Lisää laite.
- Valitse laitetyyppi, tässä tapauksessa Pienet kodinkoneet -> Lämmitin. Vahvista sovelluksessa, että lämmittimen Wi-Fi-tilan ilmaisin vilkkuu.
- Sovellus kehottaa sinua valitsemaan Wi-Fi-verkon ja antamaan Wi-Fi-salasanan. Sovellus lähettää nämä tiedot lämmitimeen, jolloin lämmitin voi muodostaa yhteyden Wi-Fi-verkkoosi.

"Smart Life" -sovelluksen käyttäminen (kuva J)

"Smart Life" -sovelluksella voidaan ohjata monia erilaisia laitteita. Kunkin laitteen tila näkyy laiteluettelossa. Seuraavat tilat ovat mahdollisia konvektorilämmittimelle:

- Offline (laitteessa ei ole virtaa tai se ei ole yhteydessä Wi-Fi-verkkoon)
- Pois päältä (virta- ja verkkoyhteys ovat käytettävissä, lämmitys on tällä hetkellä pois käytöstä)
- Päällä (virta- ja verkkoyhteys ovat käytettävissä, lämmitys on käytössä)

Kun lämmitin on online-tilassa (joko sammutettu tai kytketty päälle), napauta laitteen nimeä sovelluksessa avataksesi ohjausliittymän.

Huomautus: kun lämmitin on offline-tilassa, ohjausliittymää ei voi avata.

- Käytä tilapainiketta vaihtaaksesi lämmittimen käyttötilaa. Käytettävissä olevat tilat:
Mukavuustila Lämmitys täydellä teholla
Säästötila Lämmitys 50 %:n teholla
Jäätymisenestotila Lämmitys pois päältä, ellei ympäristön lämpötila laske alle 5 °C
- Käytä '+' ja '-' painikkeita säätääksesi tavoitelämpötilaa.

5. YLLÄPITO



Sammuta laite ja irrota pistoke sähköverkosta aina ennen puhdistusta.

Puhdistus



Anna laitteen jäähtyä kokonaan ennen sen puhdistamista.

- Pyyhi kotelo pehmeällä liinalla. Pyyhi erittäin likaiset osat kostealla liinalla ja kuivaa sitten huolellisesti puhtaalla, kuivalla liinalla. Varo, ettei vettä pääse laitteen sisälle
- Älä roiskuta vettä lämmittimen päälle. Älä koskaan käytä kemiallisia liuottimia tai voimakkaita puhdistusaineita.

Säilyttäminen

- Anna lämmittimen jäähtyä kokonaan ennen varastointia.
- Säilytä lämmitintä kuivassa ja hyvin tuuletetussa tilassa

YMPÄRISTÖ



Violliset ja/tai hävitetyt sähkö- ja elektroniset laitteet tulee viedä asianmukaisesti erilliskeräyksiin.

Vain EU-maat

Älä hävitä sähkötyökaluja kotitalousjätteen mukana. Sähkö- ja elektroniikkalaitteita koskevan direktiivin 2012/19/EU ja vastaavien kansallisten lakien mukaisesti sähkötyökalut tulee hävittää erilliskeräyksessä ja ympäristöystävällisesti niiden käyttöiän päätyttyä.

TAKUU

VONROC-tuotteet on kehitetty korkeimpien laatus-tandardien mukaan ja ne sisältävät materiaali- ja valmistusviat kattavan takuun, joka on voimassa lain mukaan määritetyn ajan alkuperäisestä ostopäivämäärästä lähtien. Mikäli tuotteessa ilmenee materiaali- ja/tai valmistusvikoja tämän aikajakson aikana, ota yhteyttä suoraan VONROC-yhtiöön.

Tämä takuu ei kata seuraavia olosuhteita:

- Valtuuttamattomat huoltopalvelut ovat tehneet tai yrittäneet tehdä tuotteeseen korjauksia.
- Normaali kuluminen.
- Työkalua on väärinkäytetty, käytetty tai ylläpidetty virheellisesti.
- Tuotteessa on käytetty muita kuin alkuperäisiä varaosia.

Yhtiö myöntää yksinomaan tämän takuun. Muita suoria tai välillisiä takuita ei myönnetä tämän takuun lisäksi, mukaan lukien välilliset takuut koskien kaupattavuutta ja sopivuutta tiettyyn käyttötarkoitukseen. VONROC ei missään tapauksessa ota vastuuta satunnaisista tai seuraamuksellisista vahingoista. Jälleenmyyjien korjaavat toimet rajoituvat niiden yksiköiden tai osien korjaamiseen tai vaihtamiseen, jotka eivät ole vaatimustenmukaisia.

Tuotteeseen ja ohjekirjaan voidaan tehdä muutoksia. Tekniisiin tietoihin voidaan tehdä muutoksia ilmoituksetta.

Mallin tunnisteet: CH510AC, CH510AC_HARMAA, CH510AC_VALKOINEN					
Osa	Symboli	Arvo	Yksikkö	Osa	Yksikkö
Lämpöteho			Lämmöntuoton tyyppi, vain sähkövaraaville paikallislämmittimille (valitse yksi)		
Nimellislämpöteho	Pnom	1,0	kW	manuaalinen lämmönlatauksen ohjaus, integroidulla termostaatilla	Ei
Pienin lämpöteho (ohjeellinen)	Pmin	0,5	kW	manuaalinen lämpölatauksen ohjaus huoneen- ja/tai ulkolämpötilan takaisinkytkennällä	Ei
Suurin jatkuva lämpöteho	Pmax,c	1,0	kW	elektroninen lämpölatauksen ohjaus huoneen- ja/tai ulkolämpötilan takaisinkytkennällä	Ei
Sähkön lisäkulutus			tuuletinavusteinen lämpöteho		Ei
Nimellislämpöteholla	elmax	N/A	kW	Lämpöteho / huoneenlämpötilan säätö (valitse yksi)	
Vähimmäislämpöteholla	elmin	N/A	kW	yksivaiheinen lämmöntuotto, ei huoneenlämpötilan säätöä	Ei
Valmiustilassa	eISB	0,00173	kW	kaksi tai useampi manuaalinen vaihe, ei huoneenlämpötilan säätöä	Ei
				huoneenlämpötilan säätö mekaanisella termostaatilla	Ei
				elektroninen huoneenlämpötilan säätö	Ei
				elektroninen huoneenlämpötilan säätö ja päiväajastin	Ei
				elektroninen huoneenlämpötilan säätö ja viikkoajastin	Kyllä
Muut ohjausvalinnat (useammat valinnat mahdollisia)					
				huoneenlämpötilan säätö läsnäolotunnistimella	Ei
				huoneenlämpötilan säätö avoimen ikkunan tunnistimella	Kyllä
				valinnaisella etäohjauksella	Kyllä
				Mukautuvalla käynnistysohjauksella	Ei
				työaikarajoituksella	Kyllä
				mustalla polttimotunnistimella	Ei
Yhteystiedot	VONROC • Lingenstraat 6 • 8028 PM • Zwolle • Alankomaat				

Mallin tunnisteen: CH511AC, CH511AC_HARMAA, CH511AC_VALKOINEN					
Osa	Symboli	Arvo	Yksikkö	Osa	Yksikkö
Lämpöteho			Lämmöntuoton tyyppi, vain sähkövaraaville paikallislämmittimille (valitse yksi)		
Nimellislämpöteho	Pnom	1,5	kW	manuaalinen lämmönlatauksen ohjaus, integroidulla termostaatilla	Ei
Pienen lämpöteho (ohjeellinen)	Pmin	0,75	kW	manuaalinen lämpölatauksen ohjaus huoneen- ja/tai ulkolämpötilan takaisinkytkennällä	Ei
Suurin jatkuva lämpöteho	Pmax,c	1,5	kW	elektroninen lämpölatauksen ohjaus huoneen- ja/tai ulkolämpötilan takaisinkytkennällä	Ei
Sähkön lisäkulutus			tuuletinavusteinen lämpöteho		Ei
Nimellislämpöteholla	elmax	N/A	kW	Lämpöteho / huoneenlämpötilan säätö (valitse yksi)	
Vähimmäislämpöteholla	elmin	N/A	kW	yksivaiheinen lämmöntuotto, ei huoneenlämpötilan säätöä	Ei
Valmiustilassa	eISB	0,00173	kW	kaksi tai useampi manuaalinen vaihe, ei huoneenlämpötilan säätöä	Ei
				huoneenlämpötilan säätö mekaanisella termostaatilla	Ei
				elektroninen huoneenlämpötilan säätö	Ei
				elektroninen huoneenlämpötilan säätö ja päiväajastin	Ei
				elektroninen huoneenlämpötilan säätö ja viikkoajastin	Kyllä
Muut ohjausvalinnat (useammat valinnat mahdollisia)					
				huoneenlämpötilan säätö läsnäolotunnistimella	Ei
				huoneenlämpötilan säätö avoimen ikkunan tunnistimella	Kyllä
				valinnaisella etäohjauksella	Kyllä
				Mukautuvalla käynnistysohjauksella	Ei
				työaikarajoituksella	Kyllä
				mustalla polttimotunnistimella	Ei
Yhteystiedot	VONROC • Lingenstraat 6 • 8028 PM • Zwolle • Alankomaat				

Mallin tunnisteet: CH512AC, CH512AC_HARMAA, CH512AC_VALKOINEN					
Osa	Symboli	Arvo	Yksikkö	Osa	Yksikkö
Lämpöteho			Lämmöntuoton tyyppi, vain sähkövaraaville paikallislämmittimille (valitse yksi)		
Nimellislämpöteho	Pnom	2,0	kW	manuaalinen lämmönlatauksen ohjaus, integroidulla termostaatilla	Ei
Pienin lämpöteho (ohjeellinen)	Pmin	1,0	kW	manuaalinen lämpölatauksen ohjaus huoneen- ja/tai ulkolämpötilan takaisinkytkennällä	Ei
Suurin jatkuva lämpöteho	Pmax,c	2,0	kW	elektroninen lämpölatauksen ohjaus huoneen- ja/tai ulkolämpötilan takaisinkytkennällä	Ei
Sähkön lisäkulutus			tuuletinavusteinen lämpöteho		Ei
Nimellislämpöteholla	elmax	N/A	kW	Lämpöteho / huoneenlämpötilan säätö (valitse yksi)	
Vähimmäislämpöteholla	elmin	N/A	kW	yksivaiheinen lämmöntuotto, ei huoneenlämpötilan säätöä	Ei
Valmiustilassa	elSB	0,00173	kW	kaksi tai useampi manuaalinen vaihe, ei huoneenlämpötilan säätöä	Ei
				huoneenlämpötilan säätö mekaanisella termostaatilla	Ei
				elektroninen huoneenlämpötilan säätö	Ei
				elektroninen huoneenlämpötilan säätö ja päiväajastin	Ei
				elektroninen huoneenlämpötilan säätö ja viikkoajastin	Kyllä
Muut ohjausvalinnat (useammat valinnat mahdollisia)					
				huoneenlämpötilan säätö läsnäolotunnistimella	Ei
				huoneenlämpötilan säätö avoimen ikkunan tunnistimella	Kyllä
				valinnaisella etäohjauksella	Kyllä
				Mukautuvalla käynnistysohjauksella	Ei
				työaikarajoituksella	Kyllä
				mustalla polttimotunnistimella	Ei
Yhteystiedot	VONROC • Lingenstraat 6 • 8028 PM • Zwolle • Alankomaat				

1. SIKKERHETSANVISNINGER

Les de medfølgende sikkerhetsadvarslene, ekstra sikkerhetsadvarsler og instruksjonene. Dersom du ikke følger alle advarsler og instruksene kan det føre til elektrisk støt, brann og/eller alvorlig personskade. Ta vare på sikkerhetsadvarslene og instruksene for fremtidig referanse.

Følgende symboler brukes i denne bruksanvisningen eller på produktet:



Les bruksanvisningen.



Angir fare for personskader, ta p av liv eller skader på verktøyet dersom instruksene i bruksanvisningen ikke følges.



Angir fare for elektrisk støt.



Viktig! ADVARSEL: For å unngå overoppvarming, ikke dekk til varmeapparatet.



Ikke avhende produktet i upassende beholdere.



Produktet er i samsvar med aktuelle sikkerhetsstandarder i EU-direktivene.

GENERELLE SIKKERHETSANVISNINGER

Dette apparatet kan brukes av barn i alderen åtte år og over, samt personer med reduserte fysiske, sensoriske eller mentale evner, eller med manglende erfaring og kunnskap, så fremt de er under tilsyn eller er instruert om trygg bruk av apparatet og forstår de farene det medfører. Barn skal ikke leke med apparatet. Brukerens rengjøring og vedlikehold skal ikke foretas av barn uten tilsyn.

Barn under tre år bør holdes borte med mindre de er under kontinuerlig oppsyn.

Barn fra tre år og under åtte år skal bare slå av/på apparatet forutsatt at det er plassert eller montert i den tiltenkte normale driftsposisjonen og de har fått tilsyn eller instruksjoner om sikker bruk av apparatet og forstår farene som er involvert. Barn fra tre år og under åtte år skal ikke plukke inn, regulere og rengjøre apparatet eller utføre bruksvedlikehold.



FORSIKTIG — Noen deler av dette produktet kan bli svært varme og forårsake brannskader. Vær spesielt oppmerksom når barn og sårbare personer er tilstede.

EKSTRA SIKKERHETSADVARSLER FOR KONVEKSJON PANELVARMEOVN

- Barn må holdes under oppsyn, sørg for at de ikke leker med apparatet.
- Barn skal ikke plukke inn, plassere, bruke, regulere og rengjøre apparatet eller foreta brukervedlikehold.
- **FORSIKTIG** - noen deler av dette produktet kan bli svært varme og kan føre til brannskader. Vær spesielt oppmerksom når barn og sårbare personer er tilstede.
- Apparatet er ikke egnet for bruk utendørs, i baderom eller i andre våte eller fuktige omgivelser.
- Vær oppmerksom på at apparatet kan bli svært varmt og derfor skal plasseres på trygg avstand fra brennbare objekter som møbler, gardiner og lignende.
- Ikke dekk til varmeovnen.
- Apparatet skal ikke plasseres direkte under en stikkontakt
- Ikke koble apparatet ved hjelp av på/av tidsstyring eller annet eksternt utstyr som automatisk slår på apparatet.
- Apparatet skal ikke plasseres/brukes i rom der det finnes brennbare væsker eller gass.
- Dersom det brukes skjøteledning, skal den være så kort som mulig og alltid være helt utstruktet.
- Du skal ikke koble andre apparater til sammen stikkontakt som dette apparatet
- Ikke bruk apparatet i umiddelbare omgivelser ved baderom, dusj eller svømmebasseng.
- Hvis strømledningen blir skadet, må den byttes av produsenten eller et tilsvarende autorisert servicesenter for å unngå fare.
- Forsikre deg om at apparatet alltid er under tilsyn og hold barn og dyr unna.
- Ikke plasser eller bruk apparatet på kjøretøy i bevegelser eller steder det lett kan velte.
- Når apparatet ikke skal brukes på lang tid, trekk apparatets støpselet ut av stikkontakten. Trekk ut i støpselet og ikke i kabelen.
- Hold apparatet unna gardiner eller steder der luftinntaket lett kan bli blokkert.
- For å hindre mulig strømstøt eller jordfeilstrom, bruk aldri apparatet med våte hender eller apparatet når strømledningen er våt.

- Ikke kast elektriske apparatet som usortert husholdningsavfall, bruk separat avfallshåndtering. Kontakt lokale myndigheter om tilgjengelige innsamlingssystemer. Dersom elektrisk utstyr kastes i fyllinger eller avfallshauger, kan farlige stoffer lekke ut til grunnvannet og komme inn i næringsmiddelkjeden og føre til helseskader.
- Det er ikke meningen at dette apparatet skal brukes av personer (inkludert barn) med reduserte fysiske, sensoriske eller mentale evner, eller personer som mangler erfaring og kunnskap, med mindre de har mottatt oppfølging eller instruksjon når det gjelder bruken av apparatet, fra en person som er ansvarlig for deres sikkerhet.

Elektrisk sikkerhet

Ved bruk av elektrisk utstyr, følg alltid sikkerhetsreglene som gjelder nasjonalt for å redusere faren for brann, elektrisk støt og personskade. Les følgende sikkerhetsanvisninger og de medfølgende sikkerhetsanvisningene. Kontroller alltid at nettspenningen på strømforsyningen er i overensstemmelse med spenningen på typeskiltet.

Hvis du ikke kan unngå å bruke elektroverktøy på et fuktig sted, må du bruke en strømforsyning som er beskyttet med jordfeilbryter (RCD). Bruk av jordfeilbryter (RCD) reduserer risikoen for elektrisk støt.

2. MASKININFORMASJON

Tiltenkt bruk

Denne konveksjon varmeovnen med glasspanel er kun ment for innendørs bruk. Apparatet skal plasseres på et stabilt underlag eller festes sikkert på en vegg med de medfølgende brakettene. Maskinen kan betjenes via de manuelle kontrollene på fronten, eller fjernstyres via et lokalt WiFi nettverk. Vareovnen er utstyrt med en termostat som inkluderer veltesikring og beskyttelse mot overopphvarming.

TEKNISKE SPESIFIKASJONER

Modellnr.	CH510AC CH510AC_GREY CH510AC_WHITE
Strømforsyning	230V~ / 50/60Hz
Nominell effekt	1000 W
Varmeinnstillinger	500 W / 1000 W
Termostatområde	5°C - 50°C
IP-godkjenning	IP24
WiFi-frekvens	2.4Ghz

Modellnr.	CH511AC CH511AC_GREY CH511AC_WHITE
Strømforsyning	230V~ / 50/60Hz
Nominell effekt	1500W
Varmeinnstillinger	750W / 1500W
Termostatområde	5°C - 50°C
IP-godkjenning	IP24
WiFi-frekvens	2.4Ghz

Modellnr.	CH512AC CH512AC_GREY CH512AC_WHITE
Strømforsyning	230V~ / 50/60Hz
Nominell effekt	2000W
Varmeinnstillinger	1000W / 2000W
Termostatområde	5°C - 50°C
IP-godkjenning	IP24
WiFi-frekvens	2.4Ghz

BESKRIVELSE

Tallene i teksten under henviser til tallene som brukes i figurene A1, A2, A3, B, C på side 2-3.

1. Glasspanel konveksjonsvarmeovn
2. Kontrollknapper
 - A. Ned
 - B. Opp
 - C. WiFi / lysstyrke
 - D. Modus
 - E. Timer

- F. På/av
- 3. Statusdisplay
 - A. Temperatur/timerinnstillinger
 - B. Temperaturindikator
 - C. Kontrollås
 - D. WiFi
- 4. Driftsmodusindikatorer
 - A. Komfortmodus
 - B. Eco-modus
 - C. Antifrostmodus
- 5. Skrue
- 6. Gulvstativ
- 7. Veggmonteringskrue
- 8. Veggplugg
- 9. Veggmonteringsbrakett

3. BRUK



Sjekk apparatet for skader før bruk, skal kun brukes når det er i god stand.

Ved bruk av varmeovnen for første gang kan du merke en svak lukt som kommer fra varmeelementet. Dette er helt normalt og vil forsvinne etter at varmeovnen er brukt en stund.

Sette konveksjons panelovnen på gulvet (figur D)

- Installer gulvstativet (6) på undersiden av varmeovnen (1) med de medfølgende skruene (5) (figur D)
- Sett varmeovnen oppreist på et fast og flatt underlag.
- Hold en minimum distanse på 1 meter fra brennbart materiale (møbler, gardiner og lignende). Holdes unna våte omgivelser.



Advarsel! Forsikre deg om at varmeovnen står på et trygt sted slik at ingen snubler over apparatet eller ledningen. Pass på å sette varmeovnen slik at den ikke kan falle.

Montere konveksjons panelvarmeovnen på en vegg (fig. E-1, E-2, E-3, F-1, F-2, F-3)

- Følg hullmønsteret på fig. E-1, E-2, E-3. Finn hullmønsteret som passer for din varmeovn.
 - For CH510AC / CH510AC_GREY / CH510AC_WHITE se fig. E-1
 - For CH511AC / CH511AC_GREY / CH511AC_WHITE se fig. E-2
 - For CH512AC / CH512AC_GREY / CH512AC_WHITE se fig. E-3

- Installer to veggmonteringsbraketter (9) på veggen med de medfølgende skruene (7) (fig. F-1). Bruk de medfølgende veggpluggene (8) ved installasjon på en vegg av betong eller teglstein. Se de ovennevnte hullmønstre for å sikre korrekt avstand mellom brakettene.
- Installer to veggmonteringsbraketter (9) på undersiden av varmeovnen (1) med de medfølgende skruene (5) (fig. F-2). De installerte brakettene fungerer som avstandsstykker som sikrer at varmeovnen holder korrekt avstand fra veggen.
- Monter konveksjons panelvarmeovnen på veggen ved å skyve den på veggbrakettene (fig. F-3).

Start av konveksjons panelvarmeovnen (fig. B)

- Plugg kabelen i en stikkontakt på strømmettet.
- Trykk på/av knappen (2F) på kontrollpanelet. Kontrollpanelet vil nå aktiveres.
- Bruk modusbryteren (2D) for å bla gjennom bruksmodusene. Den valgte bruksmodusen vises med indikatorne 4A, 4B eller 4C på kontrollpanelet. Tilgjengelige moduser er:

4A	Komfortmodus	Varming på full effekt
4B	Eco-modus	Varming med 50 % effekt
4C	Antifrostmodus	Varmer av til omgivelsestemperaturen faller under 5 °C

Justering av temperatur (fig. B)

- Som standard vises omgivelsestemperaturen på displayet. Trykk ned- eller opp-knapp (2A eller 2B) en gang for å vise ønsket temperatur. Ønsket temperatur vil blinke.
- Mens ønsket temperatur blinker, kan den justeres mellom 5 °C og 50 °C ved å trykke på ned- eller opp-knapp (2A eller 2B).
- Ønsket temperatur vil fortsette å blinke i 5 sekunder etter siste knappetrykk, deretter går displayet tilbake til standard modus og vise omgivelsestemperaturen.
- Merk at ønsket temperatur ikke kan justeres når varmeovnen er i antifrostmodus. Ønsket temperatur er fast på 5 °C i denne bruksmodusen. Bruksmodus må først endres til komfortmodus eller eco-modus før ønsket temperatur kan justeres.

Kontrollpanellås (fig. B)

Kontrollpanelet kan låses for å hindre utilsiktet eller uautorisert justering av varmeinnstillingene. For å låse kontrollpanelet, trykk og hold opp-knappen (2B) i 3 sekunder. Varmeovnen vil pipe og kontrollåsendikatoren (3C) vil tennes for å vise at kontrollpanelet er låst. For å låse opp kontrollpanelet, trykk og hold ned-knappen (2A) i 3 sekunder.

Konstant romtemperatur

Varmeovnen starter og stopper automatisk for å holde romtemperaturen konstant. Når omgivelsestemperaturen i rommet når ønsket temperatur, vil varmeelementet slås av. Når omgivelsestemperaturen starter å synke vil varmeelementet slås på igjen.

Automatisk kontroll av overoppvarming

denne varmeovnen er utstyrt med en intern termostat og beskyttelsesekret mot overoppvarming. Når temperatur for potensiell overoppvarming nås, vil systemet automatisk slå av varmeovnen.

Stoppe konveksjons panelvarmeovnen (fig. B)

Trykk på/av knappen (2F) på kontrollpanelet. Varmeovnen vil kobles til standbymodus. Varmeelementet vil slås av og kontrollpanelet vil deaktiveres.

Lagre konveksjons panelvarmeovnen

La alltid varmeovnen kjøle seg av helt før du flytter eller lagrer varmeovnen. Forsikre deg om at varmeovnen er plagget ut fra stikkkontakten ved lagring.



Advarsel. Ikke lagre apparatet i våte omgivelser. Beskytt apparatet mot støv ved lagring.

Etter lang tids lagring, sjekk alltid at varmeelementet er rent og fritt for støv før du bruker varmeovnen igjen.

4. FJERNSTYRT BRUK

I tillegg til nevnte manuelle betjening, kan konveksjons panelvarmeovnen også fjernstyres over et WiFi-nettverk med mobiltelefon eller tablet. Den nødvendige appen kan lastes ned og brukes gratis.

Nedlasting av appen til telefon eller tablet (fig. G)

- Skann QR-koden (fig. G) på telefonen eller tablet for å laste ned og installere appen "Smart Life".
- Dersom du ikke vil eller kan bruke QR-kode kan du også installere appen manuelt. For å gjøre det gå til the Google Play Store eller Apple App Store på telefonen eller tableten. Søk for appen "Smart Life" (fig. G)
- Etter installasjon av appen må du ha en "Smart Life" konto for å logge inn. Dersom du ennå ikke har en konto, kan du opprette en (gratis) ved å klikke på tasten "Registrer" i appen.

Pare konveksjons panelvarmeovnen med "Smart Life" appen (fig. H, I)

- Sett varmeovnen i standby-modus ved å trykke på/av knappen (2F). Displayet på varmeovnen vil slå seg av, kun på/av knappen lyser.
- Trykk og hold knappen WiFi/lyshet (2C) for minst 3 sekunder. WiFi statusindikator (3D) begynner å blinke.
- Mens WiFi statusindikatoren blinker, åpne appen på telefonen eller tableten og trykk på legg til enhet (Add Device).
- Velg enhetstype, i dette tilfelle småapparater -> varmeovn. Bekreft i appen at WiFi statusindikator på varmeovnen blinker.
- Du blir spurt av appen om å velge et WiFi nettverk og legge inn WiFi passordet. Appen vil sende denne infoen til varmeovnen og la varmeovnen opprette en kobling til ditt WiFi nettverk.

Bruke appen "Smart Life" (fig. J)

"Smart Life" appen kan brukes for å styre mange ulike apparater. Status på hvert apparat vises på apparatlisten. Følgende statuser er mulige for konveksjons panelvarmeovnen:

- Offline (apparatet er uten strøm eller ikke tilkoblet WiFi nettverket)
- Slått av (strøm og nettverkskobling tilgjengelig, oppvarming er deaktivert)
- Slått på (strøm og nettverkskobling tilgjengelig, oppvarming er aktivert)

Når varmeovnen er online (enten slått på eller slått av), klikk på apparatnavnet i appen for å åpne kontrollgrensesnittet.

Merk: Når varmeovnen er offline kan du ikke åpne kontrollgrensesnittet.

- Bruk modus-knappen for endre bruksmodus for varmeovnen. Tilgjengelige moduser er:

Komfortmodus	Varming på full effekt
Eco-mdus	Varming med 50 % effekt
Antifrostmodus.	Varme av til omgivelsestemperaturen faller under 5 °C

- Bruk knappene "+" og "-" for å justere ønsket temperatur.

5. VEDLIKEHOLD



Før rengjøring og vedlikehold, slå alltid av apparatet og trekk ut støpselet fra strømnettet.

Rengjøring



La apparatet kjøle seg ned helt før rengjøring.

- Tørk av huset med en myk klut. For svært skitne deler, tørk av med en fuktig klut og deretter med en tørr klut til det er helt tørt. Pass på at det ikke kommer vann inn i apparatet
- For å beskytte varmeovnen, ikke sprut vann på varmeovnen, bruk aldri kjemiske løsemidler eller aggressive rengjøringsmidler.

Lagring

- La varmeovnen kjøle seg av helt før du lagrer den.
- Lagre varmeovnen på et tørt og godt ventilert sted

MILJØ



Defekte og/eller kasserte elektriske eller elektroniske apparater må leveres på passende gjenbruksstasjon.

Kun for EU/EØS land

Ikke kast elektriske verktøy i husholdingsavfallet. I henhold til EU-direktiv 2012/19/EU for elektronisk og elektrisk avfall (WEEE-direktivet) som inntatt i norsk lov, må elektroverktøy som ikke lenger er brukbare samles inn separat og avhendes på en miljøvennlig måte.

GARANTI

VONROC-produkter er utviklet i henhold til de høyeste kvalitetsstandarder og er garantert fri for defekter i både materialer og utførelse i den for-skriftsmessige perioden fra og med den opprinnelige kjøpsdatoen. Dersom produktet viser feil i løpet av denne perioden som skyldes defekter i materialer og/eller utførelse, kontakt VONROC direkte.

Følgende omstendigheter er ekskludert fra denne garantien:

- Reparasjoner og/eller endringer som er foretatt eller forsøkt utført på apparatet ved uautorisert servicesenter.
- Normal bruk og slitasje.
- Verktøyet er mishandlet, misbrukt eller feilaktiv vedlikeholdt.
- Det er brukt uoriginale reservedeler.

Dette er den eneste garantien som firmaet gir, enten uttrykt eller underforstått. Det finnes ingen andre uttrykte eller underforståtte garantier som rekker utover de viste her, inkludert underforståtte garantier for salgbarhet eller egnethet for bestemte formål. Under ingen omstendigheter kan VONROC holdes ansvarlig for tilfældige skader eller følgeskader. Forhandlerens virkemidler er begrenset til reparasjon eller skifte av ukomforme moduler eller deler.

Produktet og bruksanvisningen har forbehold om endringer. Spesifikasjonene kan endres uten forvarsel.

Modellidentifikatorer: CH510AC, CH510AC_GREY, CH510AC_WHITE					
Del	Symbol	Verdi	Enhet	Del	Enhet
Varmeavgivelse				Type av varmeinngang, lokale elektriske lokale romvarmere (velg en)	
Nominell varmeavgivelse	P _{nom}	1,0	kW	manuell kontroll av varme, med integrert termostat	Nei
Minimum varmeavgivelse (indikasjon)	P _{min}	0,5	kW	manuell kontroll av varme med tilbakemelding innendørs og/eller utendørs	Nei
Maksimum kontinuerlig varmeavgivelse	P _{max,c}	1,0	kW	elektronisk kontroll av varme med tilbakemelding innendørs og/eller utendørs	Nei
Ekstra strømforbruk				vifteassistert varmeavgivelse	Nei
Ved nominell varmeavgivelse	el _{max}	N/A	kW	Type varmeavgivelse/romtemperaturkontroll (velg en)	
Ved minimum varmeavgivelse	el _{min}	N/A	kW	ett-trinns varmeavgivelse uten romtemperaturkontroll	Nei
I standbymodus	el _{SB}	0,00173	kW	To eller flere manuelle trinn, uten romtemperaturkontroll	Nei
				med mekanisk termostat romtemperaturkontroll	Nei
				med elektronisk romtemperaturkontroll	Nei
				elektronisk romtemperaturkontroll pluss dag-timer	Nei
				elektronisk romtemperaturkontroll pluss uke-timer	Ja
Andre kontrollmuligheter (flere valg mulig)					
				romtemperaturkontroll, med person tilstededeteksjon	Nei
				romtemperaturkontroll, med åpent vindudeteksjon	Ja
				med opsjon for avstandskontroll	Ja
				med adaptiv startkontroll	Nei
				med brukstidsbegrensning	Ja
				med svart pære-sensor	Nei
Kontaktinformasjon VONROC • Lingenstraat 6 • 8028 PM • Zwolle • Nederland					

Modellidentifikatorer: CH511AC, CH511AC_GREY, CH511AC_WHITE					
Del	Symbol	Verdi	Enhet	Del	Enhet
Varmeavgivelse				Type av varmeinngang, lokale elektriske lokale romvarmere (velg en)	
Nominell varmeavgivelse	Pnom	1,5	kW	manuell kontroll av varme, med integrert termostat	Nei
Minimum varmeavgivelse (indikasjon)	Pmin	0,75	kW	manuell kontroll av varme med tilbakemelding innendørs og/eller utendørs	Nei
Maksimum kontinuerlig varmeavgivelse	Pmax,c	1,5	kW	elektronisk kontroll av varme med tilbakemelding innendørs og/eller utendørs	Nei
Ekstra strømforbruk				vifteassistert varmeavgivelse	Nei
Ved nominell varmeavgivelse	elmax	N/A	kW	Type varmeavgivelse/romtemperaturkontroll (velg en)	
Ved minimum varmeavgivelse	elmin	N/A	kW	ett-trinns varmeavgivelse uten romtemperaturkontroll	Nei
I standbymodus	eISB	0,00173	kW	To eller flere manuelle trinn, uten romtemperaturkontroll	Nei
				med mekanisk termostat romtemperaturkontroll	Nei
				med elektronisk romtemperaturkontroll	Nei
				elektronisk romtemperaturkontroll pluss dag-timer	Nei
				elektronisk romtemperaturkontroll pluss uke-timer	Ja
Andre kontrollmuligheter (flere valg mulig)					
				romtemperaturkontroll, med person tilstededeteksjon	Nei
				romtemperaturkontroll, med åpent vindudeteksjon	Ja
				med opsjon for avstandskontroll	Ja
				med adaptiv startkontroll	Nei
				med brukstidsbegrensning	Ja
				med svart pære-sensor	Nei
Kontaktinformasjon VONROC • Lingenstraat 6 • 8028 PM • Zwolle • Nederland					

Modellidentifikatorer: CH512AC, CH512AC_GREY, CH512AC_WHITE					
Del	Symbol	Verdi	Enhet	Del	Enhet
Varmeavgivelse				Type av varmeinngang, lokale elektriske lokale romvarmere (velg en)	
Nominell varmeavgivelse	Pnom	2,0	kW	manuell kontroll av varme, med integrert termostat	Nei
Minimum varmeavgivelse (indikasjon)	Pmin	1,0	kW	manuell kontroll av varme med tilbakemelding innendørs og/eller utendørs	Nei
Maksimum kontinuerlig varmeavgivelse	Pmax,c	2,0	kW	elektronisk kontroll av varme med tilbakemelding innendørs og/eller utendørs	Nei
Ekstra strømforbruk				vifteassistert varmeavgivelse	Nei
Ved nominell varmeavgivelse	elmax	N/A	kW	Type varmeavgivelse/romtemperaturkontroll (velg en)	
Ved minimum varmeavgivelse	elmin	N/A	kW	ett-trinns varmeavgivelse uten romtemperaturkontroll	Nei
I standbymodus	eISB	0,00173	kW	To eller flere manuelle trinn, uten romtemperaturkontroll	Nei
				med mekanisk termostat romtemperaturkontroll	Nei
				med elektronisk romtemperaturkontroll	Nei
				elektronisk romtemperaturkontroll pluss dag-timer	Nei
				elektronisk romtemperaturkontroll pluss uke-timer	Ja
Andre kontrollmuligheter (flere valg mulig)					
				romtemperaturkontroll, med person tilstededeteksjon	Nei
				romtemperaturkontroll, med åpent vindudeteksjon	Ja
				med opsjon for avstandskontroll	Ja
				med adaptiv startkontroll	Nei
				med brukstidsbegrensning	Ja
				med svart pære-sensor	Nei
Kontaktinformasjon VONROC • Lingenstraat 6 • 8028 PM • Zwolle • Nederland					

1. SIKKERHEDSANVISNINGER

Læs de vedlagte sikkerhedsadvarsler, de yderligere sikkerhedsadvarsler og vejledningen. Hvis sikkerhedsadvarslerne og vejledningen ikke følges, kan det resultere i elektrisk stød, brand og/eller alvorlige personskader. Gem sikkerhedsadvarslerne og vejledningen til fremtidig brug.

Følgende symboler anvendes i brugervejledningen eller på produktet:



Læs brugervejledningen.



Angiver risiko for personskade, dødsfald eller beskadigelse af værktøjet i tilfælde af manglende overholdelse af anvisningerne i denne vejledning.



Angiver risiko for elektrisk stød.



Vigtigt: ADVARSEL: For at undgå overophedning må varmeapparatet ikke tildækkes.



Bortskaf ikke produktet i uegnede beholdere.



Produktet er i overensstemmelse med de gældende sikkerhedsstandarder i EU-direktiverne.

GENERELLE SIKKERHEDSADVARSLER

Dette apparat kan anvendes af børn på 8 år og derover samt af personer med nedsatte fysiske, sensoriske eller mentale evner eller manglende erfaring og viden, hvis de holdes under opsyn eller har fået vejledning i at bruge apparatet på en sikker måde og forstår de dermed forbundne risici. Børn må ikke lege med apparatet. Rengøring og brugervedligeholdelse må ikke udføres af børn uden opsyn.

Børn under 3 år bør holdes væk, medmindre de er under konstant opsyn.

Børn fra 3 år og under 8 år må kun tænde/slukke for apparatet, hvis det har været placeret eller installeret i dets tilsigtede normale driftsposition, og de har fået tilsyn eller instruktion om brug af apparatet på en sikker måde og forstår de involverede farer. Børn fra 3 år og under 8 år må ikke tilslutte, regulere og rengøre apparatet eller udføre brugervedligeholdelse.



FORSIGTIG — nogle dele af dette produkt kan blive meget varme og forårsage forbrændinger. Man skal især være opmærksom, hvis der er børn og sårbare personer til stede.

YDERLIGERE SIKKERHEDSADVARSLER FOR VARMEAPPARAT MED KONVEKTORPANEL

- Børn bør holdes væk, med mindre de overvåges konstant, for at sikre, at de ikke leger med apparatet.
- Børn må ikke tilslutte, placere, betjene, regulere og rengøre apparatet eller udføre brugervedligeholdelse.
- **FORSIGTIG** - nogle dele af dette produkt kan blive meget varme og forårsage forbrændinger. Man skal især være opmærksom, hvis der er børn og sårbare personer til stede.
- Maskinen er ikke egnet til udendørs brug, på badeværelser eller i andre våde eller fugtige miljøer.
- Bemærk, at maskinen kan blive meget varm, og den bør derfor placeres på sikker afstand af brandfarlige genstande, som f.eks. møbler, gardiner og lignende.
- Dæk ikke varmeapparatet til.
- Maskinen må ikke placeres umiddelbart under en stikkontakt.
- Tilslut ikke maskinen ved hjælp af en tænd/sluk-timer eller andet eksternt udstyr, der automatisk kan tænde enheden.
- Maskinen må ikke placeres/anvendes i rum, hvor brandfarlige væsker eller gasser er til stede.
- Hvis der bruges en forlængerledning, skal den være så kort som muligt og altid være helt forlænget.
- Du må ikke slutte andre apparater til den samme stikkontakt som maskinen.
- Brug ikke maskinen i den umiddelbare nærhed af et bad, et brusebad eller en swimmingpool.
- Hvis forsyningsledningen er beskadiget, skal den udskiftes af producenten, dens serviceagent eller lignende kvalificerede personer for at undgå farer.
- Sørg for, at maskinen altid er under overvågning, og hold børn og dyr væk fra den.
- Undlad at placere/bruge maskinen på køretøjer i bevægelse eller andre steder, hvor den let kan vælte.
- Når maskinen ikke bruges i lang tid, skal du trække maskinens stik ud af kontakten. Træk stikket ud, og fjern aldrig stikket ved at trække i ledningen.

- Hold maskinen langt væk fra gardiner eller steder, hvor luftindtaget let kan blokeres.
- For at forhindre et muligt elektrisk stød eller lækstrøm må maskinen aldrig bruges med våde hænder, og maskinen må aldrig betjenes, når der er vand på netledningen.
- Undlad at bortskaffe elektriske apparater som usorteret kommunalt affald. Brug separate indsamlingsanlæg. Kontakt din kommune for at få oplysninger om tilgængelige indsamlingssystemer. Hvis elektriske apparater bortskaffes på losse- eller affaldspladser, kan farlige stoffer sive ud i grundvandet og komme ind i fødekæden, hvilket kan skade dit helbred og dit velbefindende.
- Apparatet er ikke beregnet til at blive anvendt af personer (herunder børn) med reducerede fysiske, sansemæssige eller mentale evner samt med manglende erfaring eller viden, med mindre de bliver overvåget eller instrueret i brugen af apparatet af en person, der er ansvarlig for deres sikkerhed.

El-sikkerhed

Når du bruger el-maskiner, skal du altid overholde de gældende sikkerhedsbestemmelser i dit land for at reducere risikoen for brand, elektrisk stød og personskader. Læs følgende sikkerhedsanvisninger samt de medfølgende sikkerhedsanvisninger.

Kontroller altid, at strømforsyningens spænding stemmer overens med spændingen på ydelsesskiltmærket.

Hvis det ikke kan undgås at bruge et maskinværktøj i et fugtigt miljø, bør du anvende en forsyning, der er beskyttet af en fejlstrømsafbryder (RCD). Brugen af en RCD reducerer risikoen for elektrisk stød.

2. MASKINOPLYSNINGER

Tilsigtet brug

Varmeapparatet med konvektor er kun beregnet til indendørs brug. Maskinen skal placeres på en stabil overflade eller monteres sikkert på en væg ved hjælp af de medfølgende beslag. Maskinen kan betjenes via de manuelle kontroller på frontpanelet, eller den kan fjernbetjenes via et WIFI-netværk. Varmeapparatet er udstyret med en termostat og sikkerhedsfunktioner såsom væltebeskyttelse og overophedningsbeskyttelse.

TEKNISKE SPECIFIKATIONER

Model nr.	CH510AC CH510AC_GREY CH510AC_WHITE
Strømforsyning	230V~ / 50/60Hz
Mærkestrøm	1000 W
Varmeapparatets indstillinger	500W / 1000W
Termostats interval	5°C - 50°C
IP-kode	IP24
WIFI-frekvens	2,4 Ghz

Model nr.	CH511AC CH511AC_GREY CH511AC_WHITE
Strømforsyning	230V~ / 50/60Hz
Mærkestrøm	1500 W
Varmeapparatets indstillinger	750W / 1500W
Termostats interval	5°C - 50°C
IP-kode	IP24
WIFI-frekvens	2,4 Ghz

Model nr.	CH512AC CH512AC_GREY CH512AC_WHITE
Strømforsyning	230V~ / 50/60Hz
Mærkestrøm	2000 W
Varmeapparatets indstillinger	1000W / 2000W
Termostats interval	5°C - 50°C
IP-kode	IP24
WIFI-frekvens	2,4 Ghz

BESKRIVELSE

Tallene i teksten nedenfor henviser til tallene anvendt i figurene A1, A2, A3, B, C på side 2-3

1. Varmeapparat med konvektion og glaspanel
2. Kontrolknapper
 - A. Ned
 - B. Op
 - C. WIFI/lysstyrke
 - D. Funktion
 - E. Timer
 - F. Tænd/sluk

3. Statusskærm
 - A. Indstilling for temperatur/timer
 - B. Temperaturindikator
 - C. Kontrollås
 - D. WIFI
4. Indikatorer for driftstilstand
 - A. Komforttilstand
 - B. Eco-tilstand
 - C. Anti frost-tilstand
5. Skrue
6. Gulvstander
7. Vægmonteret skrue
8. Vægstik
9. Beslag til vægmontering

3. BETJENING



Se enheden efter for skader inden brug, og brug den kun, når den er i god stand.

Når du bruger varmeapparatet for første gang, vil du muligvis bemærke en let lugt, som kommer fra varmeelementet. Dette er helt normalt, og det burde forsvinde efter at have brugt varmeapparatet i nogen tid.

Placering af varmeapparatet med konvektionspanel på gulvet (fig. D)

- Monter gulvstanderne (6) på undersiden af varmeapparatet (1) ved hjælp af de medfølgende skruer (5) (fig. D)
- Stil varmeapparatet lodret på en fast og plan overflade.
- Hold en afstand på minimum 1 m til brændbare materialer (møbler, gardiner osv.). Skal holdes væk fra våde miljøer.



Advarsel! Sørg for at placere varmeapparatet et sikkert sted, så du ikke let kan snuble over maskinen og kablet. Sørg for at placere varmeapparatet, hvor det ikke kan falde ned.

Montering af varmeapparat med konvektionspanel på væggen (fig. E-1, E-2, E-3, F-1, F-2, F-3)

- Observer hulmønstrene i fig. E-1, E-2, E-3. Find det hulmønster, som passer til dit varmeapparat.
 - For CH510AC / CH510AC_GREY / CH510AC_WHITE se fig. E-1
 - For CH511AC / CH511AC_GREY / CH511AC_WHITE se fig. E-2

- For CH512AC / CH512AC_GREY / CH512AC_WHITE se fig. E-3
- Monter to vægmonteringsbeslag (9) på væggen ved hjælp af de medfølgende skruer (7) (fig. F-1). Brug de medfølgende vægpropper (8), når du installerer på en beton-/murstensvæg. Se det førnævnte hulmønster for at sikre den korrekte afstand mellem beslagene.
- Monter to vægmonteringsbeslag (9) på undersiden af varmeapparatet (1) ved hjælp af de medfølgende skruer (5) (fig. F-2). De installerede beslag vil fungere som et afstandsstykke for at sikre, at varmelegemet bliver placeret i den korrekte afstand fra væggen.
- Monter konvektionsvarmepanelet på væggen ved at glide det på vægbeslagene (fig. F-3).

Sådan startes varmeapparatet med konvektionspanel (fig. B)

- Slut kablet til strømmettet.
- Tryk på tænd/sluk-knappen (2F) på kontrolpanelet. Kontrolpanelet vil nu være aktiveret.
- Brug funktionsknappen (2D) til at skifte mellem driftstilstande. Den valgte driftstilstand vises af indikatorerne 4A, 4B eller 4C på kontrolpanelet. De tilgængelige funktioner er:

4A	Komfortfunktion	Opvarmer ved fuld effekt
4B	Eco-funktion	Opvarmer ved 50 % effekt
4C	Anti frost-funktion	Opvarmning slået fra, med mindre omgivelsestemperatur falder til under 5°C

Justering af temperaturen (fig. B)

- Som standard vises omgivelsestemperaturen på displayet. Tryk på knappen Ned eller Op (2A eller 2B) én gang for at få vist måltemperaturen. Måltemperaturen vil blinke.
- Mens måltemperaturen blinker, kan den justeres mellem 5°C og 50°C ved at trykke på ned- eller op-knapperne (2A eller 2B).
- Måltemperaturen bliver ved med at blinke i 5 sekunder efter sidste knaptryk, hvorefter displayet vender tilbage til standardtilstanden, der viser omgivelsestemperaturen.
- Bemærk, at måltemperaturen ikke kan justeres, mens varmelegemet er i anti frost-tilstand.

Måltemperaturen er fastsat til 5°C i denne driftstilstand. Driftstilstanden skal først ændres til Komfort-tilstand eller Eco-tilstand, før måltemperaturen kan justeres.

Kontrolpanellås (fig. B)

Kontrolpanelet kan være låst for at forhindre utilsigtede eller uautoriserede justeringer af varmeapparatets indstillinger. For at låse kontrolpanelet skal du trykke på og holde opknappen (2B) nede i 3 sekunder. Varmeapparatet bipper, og kontrollåsindikatoren (3C) vil lyse for at signalere, at kontrolpanelet er låst. For at deaktivere kontrolpanellåsen skal du trykke på og holde ned-knappen (2A) nede i 3 sekunder.

Konstant rumtemperatur

Varmeapparatet starter og stopper automatisk for at holde stuetemperaturen konstant. Når den omgivende temperatur i rummet når den ønskede måltemperatur, slukker varmelegemet. Når den omgivende temperatur begynder at falde, tænder varmelegemet igen.

Automatisk kontrol til overophedning

Dette varmeapparat er udstyret med en intern sikkerhedstermostat og et beskyttelseskrebsløb mod overophedning. Når en mulig overophedningstemperatur er nået, slukker systemet automatisk for varmeapparatet.

Sådan stoppes det elektriske varmeapparat (fig. B)

Tryk på tænd/sluk-knappen (2F) på kontrolpanelet. Varmeapparatet vil gå i standby-funktion. Varmeelementet slukkes, og kontrolpanelet deaktiveres.

Sådan opbevares varmeapparatet med konvektionspanel

Lad altid varmelegemet køle helt af, før varmeapparatet stilles til opbevaring. Sørg for, at varmelegemet er taget ud af stikkontakten, når det opbevares.



Advarsel. Opbevar ikke maskinen i et vådt miljø. Beskyt maskinen mod støv under opbevaring.

Efter længere tids opbevaring skal du altid kontrollere, at varmelegemet er rent og fri for støv, før du bruger varmeapparatet igen.

4. FJERNKONTROL

Ud over den førnævnte manuelle betjening kan varmeapparatet med konvektionspanel også fjernbetjenes over et WIFI-netværk ved hjælp af din smartphone eller tablet. Den påkrævede app kan downloades og anvendes gratis.

Sådan downloades appen til din telefon eller tablet (fig. G)

- Scan QR-koden (fig. G) på din telefon eller tablet for at downloade og installere "Smart Life"-appen.
- Hvis du ikke kan eller vil bruge QR-koden, kan du også installere appen manuelt. For at gøre dette, bedes du besøge Google Play Store eller Apple App Store på din telefon eller tablet. Søg efter appen "Smart Life" (fig. G)
- Når appen er blevet installeret, skal du bruge en "Smart Life"-konto for at logge ind. Hvis du endnu ikke har en konto, kan du oprette en (gratis) ved at trykke på knappen 'Tilmeld' i appen.

Parring af dit varmeapparat med konvektionspanel med "Smart Life"-appen (fig. H, I)

- Sæt varmeapparatet i standby-tilstand ved at trykke på tænd/sluk-knappen (2F). Varmeapparatets display slukkes, og kun tænd/sluk-knappen forbliver tændt.
- Tryk og hold knappen WIFI/lysstyrke (2C) nede i mindst 3 sekunder. WIFI-statusindikatoren (3D) begynder at blinke.
- Mens WIFI-statusindikatoren blinker, skal du åbne appen på din telefon eller tablet og trykke på Tilføj en enhed.
- Vælg enhedstype, i dette tilfælde Små apparater -> Varmeapparat. Bekræft i appen, at WIFI-statusindikatoren på varmeren blinker.
- Appen vil bede dig om at vælge et WIFI-netværk og indtaste WIFI-adgangskoden. Appen sender disse detaljer til varmeapparatet, så varmeapparatet kan oprette forbindelse til dit WIFI-netværk.

Sådan bruges appen "Smart Life" (fig. J)

"Smart Life"-appen kan bruges til at styre mange forskellige enheder. Status for hver enhed vises på listen over enheder. Følgende tilstande er mulige for varmeapparatet med konvektionspanel:

- Offline (Enheden er ikke strømforsynet eller ikke

forbundet til WIFI-netværket)

- Slået fra (Strøm- og netværksforbindelse er tilgængelig, opvarmning er i øjeblikket deaktiveret)
- Slået til (Strøm- og netværksforbindelse er tilgængelig, opvarmning er aktiveret)

Når varmeapparatet er online (enten slukket eller tændt), skal du trykke på enhedens navn i appen for at åbne kontrolgrænsefladen.

Bemærk: Når varmeapparatet er offline, vil du ikke være i stand til at åbne kontrolgrænsefladen.

- Brug funktionsknappen til at ændre varmeapparatets driftstilstand. De tilgængelige funktioner er:
 Komfortfunktion Opvarmer ved fuld effekt
 Eco-funktion Opvarmer ved 50 % effekt
 Anti frost-funktion Opvarmning slået fra, med mindre omgivelsestemperatur falder til under 5°C
- Brug knapperne '+' og '-' til at justere måltemperaturen.

5. VEDLIGEHOLDELSE



Før rengøring og vedligeholdelse skal du altid slukke for maskinen og trække netstikket ud af kontakten.

Rengøring



Lad maskinen køle helt af inden rengøring.

- Tør aflukket af med en blød klud. Meget beskidte dele kan tørres af med en fugtig klud, og brug derefter en tør klud til at tørre dem helt af. Pas på ikke at lade vand trænge ind i apparatet
- For at beskytte varmelegemet, må der ikke sprøjtes vand på varmelegemet, og der må aldrig bruges kemiske opløsningsmidler eller aggressive rengøringsmidler.

Opbevaring

- Lad altid varmeapparatet køle helt af, før det stilles til opbevaring.
- Opbevar varmeapparatet på et tørt område med god ventilation.

MILJØ



Defekte og/eller bortskaffede elektriske og elektroniske apparater skal afleveres på en passende genbrugsstation.

Kun for lande i EU

Maskinværktøj må ikke bortskaffes sammen med husholdningsaffald. Ifølge EC-direktiv 2012/19/EU om affald af elektrisk og elektronisk udstyr og dets gennemførelse i den nationale lovgivning skal maskinværktøjer, der ikke længere anvendes, afleveres separat og bortskaffes på en miljøvenlig måde.

GARANTI

VONROC-produkter er udviklet til de højeste kvalitetsstandarder og er garanteret fri for defekter i både materialer og udførelse i den periode, der er retsligt angivet fra datoen for det originale køb. Hvis produktet skulle udvikle fejl i denne periode på grund af defekt materiale og/eller udførelse, bedes du kontakte VONROC direkte.

Følgende omstændigheder er udelukket fra denne garanti:

- Uautoriserede servicecentre har foretaget eller gjort forsøg på at foretage reparationer og/eller ændringer på maskinen;
- Normal slitage;
- Værktøjet er blevet misbrugt, brugt forkert eller ikke passende vedligeholdt;
- Der er anvendt ikke-originale reservedele.

Dette udgør den eneste garanti, virksomheden har givet, enten udtrykt eller underforstået. Der er ingen andre garantier, udtrykt eller underforstået, som strækker sig ud over denne, herunder de underforståede garantier for salgbarhed og egnethed til et bestemt formål. Under ingen omstændigheder skal VONROC holdes ansvarlig for tilfældige skader eller følgeskader. Forhandlerens retsmidler skal være begrænset til reparation eller udskiftning af enheder eller dele, der ikke overholder kravene.

Produktet og brugervejledningen er genstand for ændringer. Specifikationer kan ændres uden yderligere varsel.

Modelidentifikator(er): CH510AC, CH510AC_GREY, CH510AC_WHITE					
Element	Symbol	Værdi	Enhed	Element	Enhed
Varmeeffekt				Type varmeinput, kun til elektrisk opbevaring lokal rum varmeapparater (vælg én)	
Nominel varmeeffekt	Pnom	1,0	kW	manuel styring af varmeladning, med integreret termostat	Nej
Minimal varmeeffekt (indikativ)	Pmin	0,5	kW	manuel styring af varmeladning med feedback om rum- og/eller udetemperatur	Nej
Maksimal kontinuerlig varmeeffekt	Pmax,c	1,0	kW	elektronisk styring af varmeladning med feedback om rum- og/eller udetemperatur	Nej
Ekstra elforbrug				blæserassisteret varmeeffekt	
Ved nominel varmeeffekt	elmax	Ikke relevant	kW	Type varmeeffekt/rumtemperaturstyring (vælg én)	
Ved minimal varmeeffekt	elmin	Ikke relevant	kW	enkeltfaset varmeeffekt og ingen rumtemperaturstyring	Nej
I standby-tilstand	elSB	0,00173	kW	To eller flere manuelle trin, ingen rumtemperaturstyring	Nej
				med mekanisk termostat-rumtemperaturstyring	Nej
				med elektronisk rumtemperaturstyring	Nej
				elektronisk rumtemperaturstyring plus dagtimer	Nej
				elektronisk rumtemperaturstyring plus ugetimer	Ja
Andre styringsmuligheder (flere valg mulige)					
				rumtemperaturstyring, med detektion af tilstedeværelse	Nej
				rumtemperaturstyring, med detektion af åbent vindue	Ja
				med mulighed for afstandsstyring	Ja
				med adaptiv startstyring	Nej
				med begrænsning af driftstid	Ja
				med sort pære-sensor	Nej
Kontaktoplysninger VONROC • Lingenstraat 6 • 8028 PM • Zwolle • Nederlandene					

Modelidentifikator(er): CH511AC, CH511AC_GREY, CH511AC_WHITE					
Element	Symbol	Værdi	Enhed	Element	Enhed
Varmeeffekt				Type varmeinput, kun til elektrisk opbevaring lokal rum varmeapparater (vælg én)	
Nominel varmeeffekt	Pnom	1,5	kW	manuel styring af varmeladning, med integreret termostat	Nej
Minimal varmeeffekt (indikativ)	Pmin	0,75	kW	manuel styring af varmeladning med feedback om rum- og/eller udetemperatur	Nej
Maksimal kontinuerlig varmeeffekt	Pmax,c	1,5	kW	elektronisk styring af varmeladning med feedback om rum- og/eller udetemperatur	Nej
Ekstra elforbrug				blæserassisteret varmeeffekt	Nej
Ved nominel varmeeffekt	elmax	Ikke relevant	kW	Type varmeeffekt/rumtemperaturstyring (vælg én)	
Ved minimal varmeeffekt	elmin	Ikke relevant	kW	enkeltfaset varmeeffekt og ingen rumtemperaturstyring	Nej
I standby-tilstand	eISB	0,00173	kW	To eller flere manuelle trin, ingen rumtemperaturstyring	Nej
				med mekanisk termostat-rumtemperaturstyring	Nej
				med elektronisk rumtemperaturstyring	Nej
				elektronisk rumtemperaturstyring plus dagtimer	Nej
				elektronisk rumtemperaturstyring plus ugetimer	Ja
				Andre styringsmuligheder (flere valg mulige)	
				rumtemperaturstyring, med detektion af tilstedeværelse	Nej
				rumtemperaturstyring, med detektion af åbent vindue	Ja
				med mulighed for afstandsstyring	Ja
				med adaptiv startstyring	Nej
				med begrænsning af driftstid	Ja
				med sort pære-sensor	Nej
Kontaktoplysninger VONROC • Lingenstraat 6 • 8028 PM • Zwolle • Nederlandene					

Modelidentifikator(er): CH512AC, CH512AC_GREY, CH512AC_WHITE					
Element	Symbol	Værdi	Enhed	Element	Enhed
Varmeeffekt				Type varmeinput, kun til elektrisk opbevaring lokal rum varmeapparater (vælg én)	
Nominel varmeeffekt	Pnom	2,0	kW	manuel styring af varmeladning, med integreret termostat	Nej
Minimal varmeeffekt (indikativ)	Pmin	1,0	kW	manuel styring af varmeladning med feedback om rum- og/eller udetemperatur	Nej
Maksimal kontinuerlig varmeeffekt	Pmax,c	2,0	kW	elektronisk styring af varmeladning med feedback om rum- og/eller udetemperatur	Nej
Ekstra elforbrug				blæserassisteret varmeeffekt	Nej
Ved nominel varmeeffekt	elmax	Ikke relevant	kW	Type varmeeffekt/rumtemperaturstyring (vælg én)	
Ved minimal varmeeffekt	elmin	Ikke relevant	kW	enkeltfaset varmeeffekt og ingen rumtemperaturstyring	Nej
I standby-tilstand	eISB	0,00173	kW	To eller flere manuelle trin, ingen rumtemperaturstyring	Nej
				med mekanisk termostat-rumtemperaturstyring	Nej
				med elektronisk rumtemperaturstyring	Nej
				elektronisk rumtemperaturstyring plus dagtimer	Nej
				elektronisk rumtemperaturstyring plus ugetimer	Ja
				Andre styringsmuligheder (flere valg mulige)	
				rumtemperaturstyring, med detektion af tilstedeværelse	Nej
				rumtemperaturstyring, med detektion af åbent vindue	Ja
				med mulighed for afstandsstyring	Ja
				med adaptiv startstyring	Nej
				med begrænsning af driftstid	Ja
				med sort pære-sensor	Nej
Kontaktoplysninger	VONROC • Lingenstraat 6 • 8028 PM • Zwolle • Nederlandene				

1. INSTRUKCJĘ DOTYCZĄCĄ BEZPIECZEŃSTWA

Przeczytać dołączone ostrzeżenia dotyczące bezpieczeństwa, dodatkowe ostrzeżenia dotyczące bezpieczeństwa oraz instrukcję. Nieprzestrzeganie ostrzeżeń dotyczących bezpieczeństwa oraz instrukcji może prowadzić do porażenia prądem, pożaru i/lub poważnych obrażeń ciała. Zachować ostrzeżenia dotyczące bezpieczeństwa oraz instrukcje na przyszłość.

Następujące symbole są umieszczone w instrukcji obsługi lub na produkcie:



Przeczytać instrukcję obsługi.



Oznacza ryzyko obrażeń ciała, śmierci lub uszkodzenia narzędzia w razie nieprzestrzegania poleceń z instrukcji.



Oznacza ryzyko porażenia prądem.



Ważne! OSTRZEŻENIE: Aby uniknąć przegrzania, nie wolno przykrywać grzejnika.



Nie wyrzucać produktu do nieodpowiednich pojemników.



Produkt spełnia wymogi odpowiednich norm bezpieczeństwa podanych w dyrektywach UE.

OGÓLNE OSTRZEŻENIA DOTYCZĄCĄ BEZPIECZEŃSTWA

To urządzenie może być używane przez dzieci w wieku od 8 lat i osoby z ograniczonymi zdolnościami fizycznymi, czuciowymi lub umysłowymi lub nieposiadające doświadczenia i wiedzy, jeśli znajdują się one pod nadzorem lub zostały przeszkolone z bezpiecznego użytkownika urządzenia i rozumieją związane z tym zagrożenia. Dzieciom nie wolno pozwalając bawić się urządzeniem. Dzieciom bez nadzoru nie wolno przeprowadzać czyszczenia i konserwacji urządzenia.

Nie pozwalać zbliżać się do urządzenia dzieciom w wieku poniżej 3 lat, jeśli nie znajdują się pod stałym nadzorem.

Dzieciom w wieku od 3 lat i poniżej 8 lat wolno włączać/wyłączać urządzenie, tylko jeśli urządzenie zostało ustawione lub zainstalowane w normalnym położeniu roboczym zgodnie z przeznaczeniem i tylko jeśli dzieci znajdują się pod nadzorem lub zostały nauczone obsługi urządzenia w bezpieczny sposób i rozumieją związane z tym zagrożenia. Dzieciom w wieku od 3 lat i poniżej 8 lat nie wolno podłączać urządzenia do zasilania, regulować go, czyścić ani wykonywać czynności konserwacji dopuszczalnej dla użytkownika.



UWAGA — niektóre elementy tego produktu mogą stać się bardzo gorące i spowodować oparzenia. Należy zwracać szczególną uwagę na przebywające w pobliżu dzieci i osoby niepełnosprawne.

DODATKOWE OSTRZEŻENIA DOTYCZĄCĄ BEZPIECZEŃSTWA PANELOWEGO GRZEJNIKA KONWEKTOROWEGO

- Dzieciom nie wolno zbliżać się do urządzenia, chyba że są stale pod opieką, aby nie mogły bawić się urządzeniem.
- Dzieciom nie wolno podłączać, ustawiać, obsługiwać, regulować i czyścić urządzenia ani wykonywać czynności konserwacyjnych.
- PRZESTROGA - niektóre elementy tego produktu mogą stać się bardzo gorące i spowodować oparzenia. Należy zwracać szczególną uwagę na przebywające w pobliżu dzieci i osoby niepełnosprawne.
- Urządzenie nie nadaje się do użytku na zewnątrz, w łazienkach lub w innych wilgotnych lub mokrych środowiskach.
- Należy pamiętać, że urządzenie może się bardzo nagrzewać i dlatego powinno być umieszczone w bezpiecznej odległości od przedmiotów łatwopalnych, takich jak meble, zasłony itp.
- Nie wolno przykrywać grzejnika.
- Urządzenia nie wolno stawiać bezpośrednio pod gniazdkiem elektrycznym
- Nie należy podłączać urządzenia za pomocą wyłącznika czasowego lub innych urządzeń, które mogą automatycznie włączać urządzenie.
- Urządzenie nie może być umieszczane/używane w pomieszczeniach, w których obecne są łatwopalne ciecze lub gazy.
- W przypadku stosowania przedłużacza musi on być jak najkrótszy i zawsze całkowicie rozwinięty.

- Nie wolno podłączać innych urządzeń do tego samego gniazdka elektrycznego, do którego jest podłączone to urządzenie
- Nie należy używać urządzenia w bezpośrednim otoczeniu wanny, prysznicza lub basenu.
- Jeśli przewód zasilania jest uszkodzony, musi go wymienić producent, jego przedstawiciel serwisowy lub podobnie, odpowiednio wykwalifikowana osoba, aby uniknąć zagrożenia.
- Należy się upewnić, że urządzenie jest zawsze pod nadzorem i nie wolno pozwalając dzieciom i zwierzętom przebywać w jego pobliżu.
- Nie należy umieszczać/używać urządzenia w pojazdach, które się poruszają, lub w miejscach, w których można się łatwo potknąć.
- Jeśli urządzenie nie jest używane przez dłuższy czas, należy odłączyć je od źródła zasilania. Przy wyciąganiu przewodu z gniazdka należy ciągnąć prosto za wtyczkę, nigdy za przewód.
- Urządzenie należy ustawić z dala od zasłon lub miejsc, w których wlot powietrza może być łatwo zablokowany.
- Aby zapobiec porażeniu prądem elektrycznym lub prądowi upływowemu, nigdy nie należy dotykać urządzenia mokrymi rękami ani nie obsługiwać go, gdy na kablu zasilającym znajduje się woda.
- Nie wolno wyrzucać urządzeń elektrycznych jako niesortowanych odpadów komunalnych; należy korzystać z oddzielnych punktów zbiórki. Należy skontaktować się z władzami lokalnymi w celu uzyskania informacji na temat dostępnych systemów odbioru odpadów. Jeśli urządzenia elektryczne są wyrzucane na wysypiska, substancje niebezpieczne mogą przedostać się do wód gruntowych, a następnie do łańcucha pokarmowego, narażając zdrowie i dobre samopoczucie ludzi.
- Urządzenie nie jest przeznaczone do użytku przez osoby (w tym dzieci) o ograniczonych zdolnościach fizycznych, czuciowych lub umysłowych albo nieposiadające odpowiedniego doświadczenia i wiedzy, chyba że zostały one odpowiednio poinstruowane co do korzystania z urządzenia i są pod nadzorem osoby odpowiedzialnej za ich bezpieczeństwo.

Bezpieczeństwo elektryczne

Podczas korzystania z elektronarzędzi należy zawsze przestrzegać krajowych przepisów BHP w celu ograniczenia ryzyka pożaru, porażenia prądem i obrażeń ciała. Przeczytać poniższe instrukcje dotyczące bezpieczeństwa oraz dołączone instrukcje dotyczące bezpieczeństwa. Zawsze sprawdzać, czy napięcie źródła zasilania jest zgodne z napięciem podanym na tabliczce znamionowej.

Jeśli obsługa elektronarzędzia w wilgotnym miejscu jest nieunikniona, użyć zasilania wyposażonego w wyłącznik różnicowoprądowy. Użycie wyłącznika różnicowoprądowego zmniejsza ryzyko porażenia prądem.

2. INFORMACJE O URZĄDZENIU

Przeznaczenie

Grzejnik konwektorowy ze szklanym panelem jest przeznaczony do użytku wyłącznie w pomieszczeniach. Urządzenie musi być ustawione na stabilnej powierzchni lub solidnie przymocowane do ściany z użyciem dołączonych wsporników. Urządzenie można obsługiwać z użyciem elementów sterujących do sterowania ręcznego na panelu przednim lub zdalnie przez sieć Wi-Fi. Grzejnik jest wyposażony w termostat oraz funkcje zabezpieczające, jak zabezpieczenie w razie przewrócenia lub ochrona przed przegrzaniem.

DANE TECHNICZNE

Nr modelu	CH510AC CH510AC_SZARY CH510AC_BIAŁY
Zasilanie	230V~ / 50/60Hz
Moc znamionowa	1000 W
Ustawienia grzejnika	500 W/1000 W
Zakres ustawień termostatu	5°C - 50°C
Stopień IP	IP24
Częstotliwość WiFi	2,4 Ghz

Nr modelu	CH511AC CH511AC_SZARY CH511AC_BIAŁY
Zasilanie	230V~ / 50/60Hz
Moc znamionowa	1500 W
Ustawienia grzejnika	750W/1500W
Zakres ustawień termostatu	5°C - 50°C
Stopień IP	IP24
Częstotliwość WiFi	2,4 Ghz

Nr modelu	CH512AC CH512AC_SZARY CH512AC_BIAŁY
Zasilanie	230V~ / 50/60Hz
Moc znamionowa	2000 W
Ustawienia grzejnika	1000W/2000W
Zakres ustawień termostatu	5°C - 50°C
Stopień IP	IP24
Częstotliwość WiFi	2,4 Ghz

OPIS

Liczby w tekście poniżej odnoszą się do cyfr używanych na rysunkach A1, A2, A3, B, C na stronach 2-3.

- Grzejnik konwektorowy z panelem szklanym
- Przyciski sterowania
 - W dół
 - Do góry
 - WiFi/Jasność
 - Tryb
 - Wyłącznik czasowy
 - Włącznik
- Wskaźnik stanu
 - Ustawienie temperatury/wyłącznika czasowego
 - Wskaźnik temperatury
 - Blokada sterowania
 - WiFi
- Wskaźniki trybu pracy
 - Tryb komfortowy
 - Tryb ekologiczny
 - Tryb zapobiegający zamarzaniu
- Śruba
- Stojak podłogowy

- Wkręt do montażu ściennego
- Kołek rozporowy
- Wspornik do montażu ściennego

3. OBSŁUGA



Przed użyciem sprawdzić urządzenie pod kątem uszkodzeń i używać tylko w przypadku, gdy jest ono w dobrym stanie technicznym.

Przy pierwszym użyciu grzejnika element grzejny może emitować słaby zapach. Jest to normalne i powinno zaniknąć po pewnym czasie użytkowania grzejnika.

Stawianie panelowego grzejnika konwektorowego na podłodze (rys. D)

- Przymocować stojaki podłogowe (6) do spodu grzejnika (1) za pomocą dołączonych śrub (5) (rys. D)
- Postawić grzejnik pionowo na twardej i poziomej powierzchni.
- Zachować odstęp co najmniej 1 m od materiałów palnych (meble, zasłony itp.). Urządzenie należy trzymać z dala od wilgotnych środowisk.



Ostrzeżenie! Należy upewnić się, że grzejnik znajduje się w bezpiecznym miejscu, aby nie można było łatwo potknąć się o urządzenie i kabel. Koniecznie umieszczać grzejnik w miejscu, z którego nie spadnie.

Mocowanie panelowego grzejnika konwektorowego na ścianie (rys. E-1, E-2, E-3, F-1, F-2, F-3)

- Przestrzegać układu otworów podanego na rys. E-1, E-2, E-3. Odszukać układ otworów pasujący do używanego grzejnika.
 - Dla CH510AC / CH510AC_SZARY / CH510AC_BIAŁY patrz rys. E-1
 - Dla CH511AC / CH511AC_SZARY / CH511AC_BIAŁY patrz rys. E-2
 - Dla CH512AC / CH512AC_SZARY / CH512AC_BIAŁY patrz rys. E-3
- Przymocować dwa wsporniki do montażu ściennego (9) do ściany za pomocą dołączonych wkrętów (7) (rys. F-1). Użyć dołączonych kołków rozporowych (8) w celu instalacji w ścianie betonowej/ceglanej. Skorzystać

z wspomnianego wyżej układu otworów, aby zapewnić prawidłowy odstęp między wspornikami.

- Przymocować dwa wsporniki do montażu ściennego (9) do spodu grzejnika (1) za pomocą dołączonych śrub (5) (rys. F-2). Zamontowane wsporniki pełnią rolę elementów dystansowych, zapewniając montaż grzejnika w prawidłowej odległości od ściany.
- Przymocować grzejnik konwektorowy na ścianie, wsuwając go na wsporniki ścienne (rys. F-3).

Włączenie panelowego grzejnika konwektorowego (rys. B)

- Podłączyć kabel do sieciowego gniazdka elektrycznego.
- Wcisnąć przycisk włącznika (2F) na panelu sterowania. Panel sterowania uruchomi się.
- Użyć przycisku trybu (2D) do przełączania między trybami pracy. Wybrany tryb pracy jest wskazany przez wskaźniki 4A, 4B lub 4C na panelu sterowania. Dostępne tryby to:

4A Tryb komfortowy	Ogrzewanie z pełną mocą
4B Tryb ekologiczny	Ogrzewanie z 50% mocy
4C Tryb zapobiegający	Ogrzewanie wyłączone, chyba że temperatura otoczenia spadnie poniżej 5°C

Regulacja temperatury (rys. B)

- Domyślnie temperatura otoczenia jest wyświetlona na wskaźniku. Nacisnąć raz przycisk do góry lub w dół (2A lub 2B), aby wyświetlić docelową temperaturę. Temperatura docelowa będzie migać.
- Kiedy temperatura docelowa miga, można ją regulować w zakresie od 5°C do 50°C, naciskając przyciski do góry lub w dół (2A lub 2B).
- Temperatura docelowa będzie migać dalej przez 5 sekund po ostatnim naciśnięciu przycisku, po czym wyświetlacz powróci do domyślnego stanu, pokazującego temperaturę otoczenia.
- Zwróć uwagę, że temperatury docelowej nie można regulować, gdy grzejnik pracuje w trybie zapobiegania zamarzaniu. W tym trybie pracy temperatura docelowa jest ustawiona na stałe na 5°C. Tryb pracy należy najpierw przełączyć na tryb komfortowy lub ekologiczny, aby móc regulować temperaturę docelową.

Blokada panelu sterowania (rys. B)

Panel sterowania można zablokować, aby zapobiegać przypadkowej lub niepożądanej regulacji ustawień grzejnika. Aby zablokować panel sterowania, nacisnąć i przytrzymać przycisk do góry (2B) przez 3 sekundy. Grzejnik wyemituje sygnał dźwiękowy i wskaźnik blokady sterowania (3C) zacznie świecić, sygnalizując zablokowanie panelu sterowania. Aby odblokować panel sterowania, nacisnąć i przytrzymać przycisk w dół (2A) przez 3 sekundy.

Stała temperatura pomieszczenia

Grzejnik włącza się i wyłącza automatycznie, dzięki czemu utrzymuje stałą temperaturę w pomieszczeniu. Gdy temperatura otoczenia w pomieszczeniu osiągnie żądany poziom, element grzejny wyłączy się. Gdy temperatura otoczenia zacznie spadać, element grzejny włączy się ponownie.

Automatyczne zabezpieczenie przed przegrzaniem

Grzejnik jest wyposażony w wewnętrzny termostat bezpieczeństwa oraz obwód zabezpieczający przed przegrzaniem. Po osiągnięciu potencjalnej temperatury przegrzania system automatycznie wyłączy grzejnik.

Wyłączenie panelowego grzejnika konwektorowego (rys. B)

Wcisnąć przycisk włącznika (2F) na panelu sterowania. Grzejnik przełączy się w tryb gotowości. Element grzejny zostanie wyłączony, a panel sterowania dezaktywowany.

Przechowywanie panelowego grzejnika konwektorowego

Przed przemieszczeniem lub rozpoczęciem przechowywania należy zawsze pozostawić grzejnik do całkowitego ostygnięcia. Dopilnować, aby grzejnik był odłączony od zasilania sieciowego na czas przechowywania.



Ostrzeżenie. Nie przechowywać urządzenia w wilgotnym środowisku. Chronić przechowywane urządzenie przed kurzem.

Po długim przechowywaniu zawsze dopilnować, by element grzejny był czysty i wolny od kurzu przed ponownym użyciem grzejnika.

4. OBSŁUGA ZDALNA

Poza opisaną powyżej obsługą ręczną, panelowy grzejnik konwektorowy można również obsługiwać zdalnie przez sieć WiFi z użyciem smartfona lub tabletu. Wymaganą do tego aplikację można pobrać i używać bezpłatnie.

Pobieranie aplikacji na smartfon lub tablet (rys. G)

- Zeskanuj kod QR (rys. G) na smartfonie lub tablecie, aby pobrać i zainstalować aplikację „Smart Life”.
- Jeśli nie można lub nie chce się użyć kodu QR, można również zainstalować aplikację ręcznie. W tym celu należy otworzyć Sklep Play Google lub Apple App Store w telefonie lub tablecie. Wyszukać aplikację „Smart Life” (rys. G)
- Po instalacji aplikacji konieczne jest utworzenie konta „Smart Life” w celu zalogowania. Jeśli jeszcze nie posiada się konta, można je utworzyć (bezpłatnie), stukając przycisk „Register” (Rejestracja) w aplikacji.

Parowanie panelowego grzejnika konwektorowego z aplikacją „Smart Life” (rys. H, I)

- Przełączyć grzejnik w tryb gotowości, wciskając przycisk włącznika (2F). Wyświetlacz grzejnika będzie wyłączony, a tylko przycisk włącznika pozostanie podświetlony.
- Wcisnąć przycisk WiFi/Jasność (2C) i przytrzymać go przez co najmniej 3 sekundy. Wskaźnik stanu WiFi (3D) zacznie migać.
- Kiedy wskaźnik stanu WiFi miga, otworzyć aplikację na telefonie lub tablecie i stuknąć „Add a Device” (Dodaj urządzenie).
- Wybrać typ urządzenia, w tym przypadku to „Small appliances -> Heater” (Małe AGD -> Grzejnik). Potwierdzić w aplikacji, że wskaźnik stanu WiFi na grzejniku miga.
- W aplikacji pojawi się komunikat wymagający wybrania sieci WiFi i wpisania hasła WiFi. Aplikacja prześle te dane do grzejnika, pozwalając mu na nawiązanie połączenia z używaną siecią WiFi.

Obsługa aplikacji „Smart Life” (rys. J)

Aplikacji „Smart Life” można używać do sterowania różnymi urządzeniami. Stan danego urządzenia jest wyświetlony na liście urządzeń. Dla panelowego grzejnika konwektorowego dostępne są następujące stany:

- „Offline” (Odłączony od sieci - urządzenie nie jest włączone ani podłączone do sieci WiFi)
- „Turned Off” (Wyłączony - zasilanie i połączenie sieciowe są dostępne, ale grzanie jest aktualnie wyłączone)
- „Turned On” (Włączony - zasilanie i połączenie sieciowe są dostępne i grzanie jest włączone)

Kiedy grzejnik jest podłączony do sieci (włączony lub wyłączony), stuknąć nazwę urządzenia w aplikacji, aby otworzyć panel sterowania.

Uwaga: kiedy grzejnik nie jest podłączony do sieci, nie można otworzyć panelu sterowania.

- Użyć przycisku „Mode” (Tryb), aby zmienić tryb pracy grzejnika. Dostępne tryby to:
Tryb komfortowy Ogrzewanie z pełną mocą
Tryb ekologiczny Ogrzewanie z 50% mocy
Tryb zapobiegający zamarzaniu Ogrzewanie wyłączone, chyba że temperatura otoczenia spadnie poniżej 5°C
- Używać przycisków „+” i „-” do regulacji docelowej temperatury.

5. KONSERWACJA



Przed rozpoczęciem czyszczenia i konserwacji zawsze wyłączać urządzenie i wyjmować wtyczkę zasilania sieciowego z gniazdka.

Czyszczenie



Przed czyszczeniem należy pozostawić urządzenie do całkowitego ostygnięcia.

- Wytrzeć obudowę miękką ściereczką. W przypadku bardzo brudnych części należy przetrzeć je wilgotną szmatką, a następnie użyć czystej szmatki, aby je całkowicie wysuszyć. Należy uważać, aby woda nie dostała się do wnętrza urządzenia.
- W celu ochrony grzejnika nie przyskać wodą na grzejnik i nigdy nie używać rozcieńczalników chemicznych ani agresywnych środków czyszczących.

Przechowywanie

- Zawsze poczekać, aż grzejnik całkowicie ostygnie, przed rozpoczęciem jego przechowywania.
- Przechowywać grzejnik w suchym i dobrze wentylowanym miejscu

OCHRONA ŚRODOWISKA

Uszkodzone i/lub niepotrzebne urządzenia elektryczne lub elektroniczne podlegają zbiórce w odpowiednich punktach recyklingu.

Tylko kraje WE

Nie wyrzucać elektronarzędzi wraz z odpadami z gospodarstw domowych. Zgodnie z dyrektywą 2012/19/EU dotyczącą zużytych urządzeń elektrycznych i elektronicznych oraz jej wdrożeniem do prawodawstwa krajowego, elektronarzędzia, które już nie nadają się do użytku, podlegają oddzielnej zbiórce oraz utylizacji w sposób przyjazny dla środowiska.

GWARANCJA

Produkty VONROC są wytwarzane zgodnie z najwyższymi standardami jakości i producent udziela gwarancji na wady materiałowe i wady wykonania na okres wymagany prawem, licząc od dnia zakupu. Jeśli wystąpi usterka produktu w tym okresie spowodowana wadą materiałową i/lub wadą wykonania, proszę bezpośrednio skontaktować się ze sprzedawcą VONROC.

Następujące okoliczności powodują unieważnienie gwarancji:

- Przeprowadzono naprawy lub modyfikacje narzędzia w serwisie innym lub autoryzowany lub podjęto ich próbę,
- Normalne zużycie,
- Narzędzie było używane niezgodnie z przeznaczeniem, źle z nim się obchodzono lub było nieprawidłowo konserwowane,
- Użyto części zamiennych innych niż oryginalne.

Niniejsza gwarancja to wyłączna gwarancja producenta i nie obowiązują żadne inne wyrażone ani dorozumiane gwarancje. Nie obowiązują żadne inne wyrażone ani dorozumiane gwarancje o zakresie przekraczającym niniejszą gwarancję, co obejmuje dorozumiane gwarancje przydatności do sprzedaży

i przydatności do określonego celu. W żadnym przypadku firma VONROC nie ponosi odpowiedzialności za straty przypadkowe lub wynikowe. Zadośćuczynienie sprzedawcy jest ograniczone do naprawy lub wymiany niezgodnych urządzeń lub części.

Produkt i instrukcja obsługi podlegają zmianom. Dane techniczne podlegają zmianom bez uprzedzenia.

Oznaczenie(a) modelu: CH510AC, CH510AC_SZARY, CH510AC_BIAŁY								
Pozycja	Symbol	Wartość	Jednostka	Pozycja	Jednostka			
Moc grzewcza				Typ sterowania grzaniem, dotyczy tylko elektrycznych grzejników do najbliższego otoczenia (wybrać jeden)				
Znamionowa moc grzewcza	Pnom	1,0	kW	ręczne sterowanie ogrzewaniem, z wbudowanym termostatem	Nr			
Minimalna moc grzewcza (charakterystyczna)	Pmin	0,5	kW	ręczne sterowanie mocą grzewczą z sygnałami zwrotnymi temperatury w pomieszczeniu i/lub poza pomieszczeniem	Nr			
Maksymalna ciągła moc grzewcza	Pmax,c	1,0	kW	elektroniczne sterowanie mocą grzewczą z sygnałami zwrotnymi temperatury w pomieszczeniu i/lub poza pomieszczeniem	Nr			
Dodatkowe zużycie energii elektrycznej				moc grzewcza wspomagana wentylatorem				
Przy znamionowej mocy grzewczej				elmax	Nie dotyczy	kW	Typ sterowania mocą grzewczą/temperaturą w pomieszczeniu (wybrać jeden)	
Przy minimalnej mocy grzewczej				elmin	Nie dotyczy	kW	jednostopniowe sterowanie mocą grzewczą bez regulacji temperatury w pomieszczeniu	Nr
W trybie gotowości				elSB	0,00173	kW	Dwa lub trzy ręcznie ustawiane stopnie, brak regulacji temperatury w pomieszczeniu	Nr
							z regulacją temperatury w pomieszczeniu z użyciem mechanicznego termostatu	Nr
							z elektroniczną regulacją temperatury w pomieszczeniu	Nr
							elektroniczna regulacja temperatury w pomieszczeniu oraz dzienny włącznik czasowy	Nr
							elektroniczna regulacja temperatury w pomieszczeniu oraz tygodniowy włącznik czasowy	Tak
				Inne opcje sterowania (możliwy wybór wielu pozycji)				
							regulacja temperatury w pomieszczeniu z wykrywaniem obecności	Nr
							regulacja temperatury w pomieszczeniu z wykrywaniem otwartego okna	Tak
							z opcją sterowania zdalnego	Tak
							ze sterowaniem adaptacyjnym uruchamianiem	Nr
							z ograniczeniem czasu pracy	Tak
							z czujnikiem ciepła promieniowania	Nr
Dane kontaktowe		VONROC • Lingenstraat 6 • 8028 PM • Zwolle • Holandia						

Oznaczenie(a) modelu: CH511AC, CH511AC_SZARY, CH511AC_BIAŁY								
Pozycja	Symbol	Wartość	Jednostka	Pozycja	Jednostka			
Moc grzewcza				Typ sterowania grzaniem, dotyczy tylko elektrycznych grzejników do najbliższego otoczenia (wybrać jeden)				
Znamionowa moc grzewcza	Pnom	1,5	kW	ręczne sterowanie ogrzewaniem, z wbudowanym termostatem	Nr			
Minimalna moc grzewcza (charakterystyczna)	Pmin	0,75	kW	ręczne sterowanie mocą grzewczą z sygnałami zwrotnymi temperatury w pomieszczeniu i/lub poza pomieszczeniem	Nr			
Maksymalna ciąгла moc grzewcza	Pmax,c	1,5	kW	elektroniczne sterowanie mocą grzewczą z sygnałami zwrotnymi temperatury w pomieszczeniu i/lub poza pomieszczeniem	Nr			
Dodatkowe zużycie energii elektrycznej				moc grzewcza wspomagana wentylatorem				
Przy znamionowej mocy grzewczej				elmax	Nie dotyczy	kW	Typ sterowania mocą grzewczą/temperaturą w pomieszczeniu (wybrać jeden)	
Przy minimalnej mocy grzewczej				elmin	Nie dotyczy	kW	jednostopniowe sterowanie mocą grzewczą bez regulacji temperatury w pomieszczeniu	Nr
W trybie gotowości				eLSB	0,00173	kW	Dwa lub trzy ręcznie ustawiane stopnie, brak regulacji temperatury w pomieszczeniu	Nr
							z regulacją temperatury w pomieszczeniu z użyciem mechanicznego termostatu	Nr
							z elektroniczną regulacją temperatury w pomieszczeniu	Nr
							elektroniczna regulacja temperatury w pomieszczeniu oraz dzienny włącznik czasowy	Nr
							elektroniczna regulacja temperatury w pomieszczeniu oraz tygodniowy włącznik czasowy	Tak
Inne opcje sterowania (możliwy wybór wielu pozycji)								
							regulacja temperatury w pomieszczeniu z wykrywaniem obecności	Nr
							regulacja temperatury w pomieszczeniu z wykrywaniem otwartego okna	Tak
							z opcją sterowania zdalnego	Tak
							ze sterowaniem adaptacyjnym uruchamianiem	Nr
							z ograniczeniem czasu pracy	Tak
							z czujnikiem ciepła promieniowania	Nr
Dane kontaktowe		VONROC • Lingenstraat 6 • 8028 PM • Zwolle • Holandia						

Oznaczenie(a) modelu: CH512AC, CH512AC_SZARY, CH512AC_BIAŁY					
Pozycja	Symbol	Wartość	Jednostka	Pozycja	Jednostka
Moc grzewcza				Typ sterowania grzaniem, dotyczy tylko elektrycznych grzejników do najbliższego otoczenia (wybrać jeden)	
Znamionowa moc grzewcza	Pnom	2,0	kW	ręczne sterowanie ogrzewaniem, z wbudowanym termostatem	Nr
Minimalna moc grzewcza (charakterystyczna)	Pmin	1,0	kW	ręczne sterowanie mocą grzewczą z sygnałami zwrotnymi temperatury w pomieszczeniu i/lub poza pomieszczeniem	Nr
Maksymalna ciągła moc grzewcza	Pmax,c	2,0	kW	elektroniczne sterowanie mocą grzewczą z sygnałami zwrotnymi temperatury w pomieszczeniu i/lub poza pomieszczeniem	Nr
Dodatkowe zużycie energii elektrycznej				moc grzewcza wspomagana wentylatorem	
Przy znamionowej mocy grzewczej				Typ sterowania mocą grzewczą/temperaturą w pomieszczeniu (wybrać jeden)	
	elmax	Nie dotyczy	kW	jednostopniowe sterowanie mocą grzewczą bez regulacji temperatury w pomieszczeniu	Nr
Przy minimalnej mocy grzewczej				Dwa lub trzy ręcznie ustawiane stopnie, brak regulacji temperatury w pomieszczeniu	
	elmin	Nie dotyczy	kW	z regulacją temperatury w pomieszczeniu z użyciem mechanicznego termostatu	Nr
W trybie gotowości				z elektroniczną regulacją temperatury w pomieszczeniu	
	elSB	0,00173	kW	elektroniczna regulacja temperatury w pomieszczeniu oraz dzienny włącznik czasowy	Nr
				elektroniczna regulacja temperatury w pomieszczeniu oraz tygodniowy włącznik czasowy	Tak
Inne opcje sterowania (możliwy wybór wielu pozycji)					
				regulacja temperatury w pomieszczeniu z wykrywaniem obecności	Nr
				regulacja temperatury w pomieszczeniu z wykrywaniem otwartego okna	Tak
				z opcją sterowania zdalnego	Tak
				ze sterowaniem adaptacyjnym uruchamianiem	Nr
				z ograniczeniem czasu pracy	Tak
				z czujnikiem ciepła promieniowania	Nr
Dane kontaktowe VONROC • Lingenstraat 6 • 8028 PM • Zwolle • Holandia					

1. INSTRUCȚIUNI DE SIGURANȚĂ

Citiți avertizările de siguranță, avertizarea de siguranță suplimentare și instrucțiunile. Nerespectarea avertizărilor de siguranță poate cauza producerea de electrocutări, incendii și/sau răniri grave. Păstrați avertizările de siguranță și instrucțiunile pentru referințe viitoare.

În manualul de utilizare sau pe produs se utilizează următoarele simboluri:



Citiți manualul de utilizare.



Indică riscul de rănire personală, pierderea vieții sau deteriorarea sculei în cazul în care nu se respectă instrucțiunile din acest manual.



Denotă riscul de electrocutare.



Important! AVERTISMENT: Pentru a evita supraîncălzirea, nu acoperiți încălzitorul.



Nu eliminați produsul în containere neadecvate.



Produsul este în conformitate cu standardele de siguranță aplicabile din directivele europene.

AVERTISMENTE GENERALE DE SIGURANȚĂ

Acest aparat poate fi utilizat de copiii cu vârsta de peste 8 ani și de către persoane cu capacități fizice, senzoriale sau mentale reduse sau de către persoane lipsite de experiență și cunoștințe dacă acestea au fost supravegheate și instruite cu privire la utilizarea aparatului în condiții de siguranță și înțeleg riscurile pe care le implică. Copii nu au voie să se joace cu echipamentul. Curățarea și operațiunile de întreținere nu trebuie efectuate de copii fără supraveghere.

Copiii cu vârsta mai mică de 3 ani trebuie ținuți la distanță, cu excepția cazului în care sunt continuu supravegheați.

Copiii cu vârste cuprinse între 3 ani și mai puțin de 8 ani trebuie să pornească/oprească aparatul numai cu condiția ca acesta să fie poziționat sau instalat în poziția normală de funcționare prevăzută și dacă supravegheați sau au primit instrucțiuni

privind utilizarea aparatului în condiții de siguranță și dacă înțeleg pericolele implicate. Copiii cu vârsta cuprinsă între 3 și 8 ani nu trebuie să conecteze, să regleze și să curețe aparatul sau să efectueze întreținerea acestuia.



ATENȚIE— unele părți ale acestui produs pot deveni foarte fierbinți și pot provoca arsuri. O atenție specială trebuie acordată acolo unde sunt prezenți copiii și persoanele vulnerabile.

AVERTIZĂRI SUPPLEMENTARE DE SIGURANȚĂ PENTRU CONVECTOARELE TIP PANOU

- Copiii trebuie să fie ținuți la distanță sau supravegheați în permanență, pentru a vă asigura că nu se joacă cu aparatul.
- Copiii nu trebuie să cupleze, să poziționeze, să opereze, să regleze și să curățe aparatul sau să efectueze întreținerea.
- ATENȚIE— unele părți ale acestui produs pot deveni foarte fierbinți și pot provoca arsuri. O atenție specială trebuie acordată acolo unde sunt prezenți copiii și persoanele vulnerabile.
- Aparatul nu este potrivit pentru utilizare în aer liber pe vreme umedă, în băi sau în alte medii umede sau cu multă apă.
- Vă rugăm să rețineți că aparatul poate deveni foarte fierbinte și, prin urmare, trebuie așezat la o distanță sigură de obiectele inflamabile, cum ar fi mobilierul, perdelele și altele similare.
- Nu acoperiți încălzitorul.
- Aparatul nu trebuie amplasat imediat sub o priză
- Nu conectați aparatul folosind un temporizator de pornire / oprire sau alte echipamente externe care îl pot porni automat.
- Aparatul nu trebuie amplasat/utilizat în încăperi în care sunt utilizate sau depozitate lichide sau gaze inflamabile.
- Dacă se utilizează un cablu prelungitor, acesta trebuie să fie cât mai scurt posibil și să fie întotdeauna complet extins.
- Nu trebuie să conectați alte aparate la aceeași priză de alimentare cu aparatul
- Nu utilizați aparatul în imediata apropiere a unei băi, a unui duș sau a unei piscine.
- În cazul în care cablul de alimentare este deteriorat, acesta trebuie înlocuit de către producător, de către agentul de service sau de către persoane calificate în mod similar, pentru

a evita pericolele.

- Asigurați-vă că aparatul este întotdeauna sub supraveghere și țineți copiii și animalele departe de acesta.
- Nu amplasați/utilizați aparatul pe vehicule în mișcare sau pe unele în locuri unde este posibil să vă împiedicați.
- Când aparatul nu este folosit pentru o perioadă lungă de timp, deconectați-l. Trageți de ștecher, nu scoateți niciodată ștecherul trăgând de cablu.
- Țineți aparatul departe de perdea sau de locurile în care admisia aerului poate fi blocată cu ușurință.
- Pentru a preveni eventuale electrocutări sau curenții de scurgere, nu folosiți niciodată aparatul cu mâna umedă și nu folosiți aparatul atunci când există apă pe cablul de alimentare.
- Nu aruncați aparatele electrice ca deșeuri municipale nesortate, apelați la unități de colectare separată. Contactați administrația locală pentru informații cu privire la sistemele de colectare disponibile. Dacă aparatul electric este aruncat în gropile de gunoi, substanțele periculoase pot pătrunde în apele subterane și pot ajunge în lanțul alimentar, afectându-vă sănătatea.
- Acest aparat nu este destinat utilizării de către persoane (inclusiv copii) cu capacități fizice, senzoriale sau mentale reduse sau de către persoane lipsite de experiență și cunoștințe, cu excepția cazurilor în care acestea au fost supravegheate și instruite cu privire la utilizarea mașinii de către o persoană responsabilă pentru siguranța lor.

Instrucțiuni de siguranță privind alimentarea electrică

Atunci când folosiți aparate electrice, respectați întotdeauna reglementările de siguranță aplicabile în țara dumneavoastră, pentru a reduce riscul de incendii, electrocutare și rănire personală. Citiți următoarele instrucțiuni de siguranță și, de asemenea, instrucțiunile de siguranță atașate. Verificați întotdeauna ca tensiunea de la alimentarea cu energie să corespundă tensiunii de pe plăcuța de specificații.

În cazul în care este necesară operarea sculei electrice într-o locație cu umiditate, folosiți un dispozitiv de curent rezidual (RCD) cu alimentare

protejată. Utilizarea unui RCD reduce riscul de electrocutare.

2. INFORMAȚII CU PRIVIRE LA MAȘINA

Domeniul de utilizare

Încălzitorul convector cu panou de sticlă este destinat exclusiv utilizării în interior. Aparatul trebuie așezat pe o suprafață stabilă sau montat în siguranță pe un perete cu ajutorul suporturilor incluse. Aparatul poate fi operat prin intermediul comenzilor manuale de pe panoul frontal sau poate fi operat de la distanță prin intermediul unei rețele Wifi. Încălzitorul este echipat cu un termostat și cu funcții de siguranță, cum ar fi protecția la răsturnare și protecția la supraîncălzire.

SPECIFICAȚII TEHNICE

Nr. model	CH510AC CH510AC_GREY CH510AC_WHITE
Alimentare de la rețea	230V~ / 50/60Hz
Putere nominală	1000W
Setări ale încălzitorului	500W / 1000W
Intervalul termostatului	5°C - 50°C
Clasificare IP	IP24
Frecvența WiFi	2,4Ghz

Nr. model	CH511AC CH511AC_GREY CH511AC_WHITE
Alimentare de la rețea	230V~ / 50/60Hz
Putere nominală	1500W
Setări ale încălzitorului	750W / 1500W
Intervalul termostatului	5°C - 50°C
Clasificare IP	IP24
Frecvența WiFi	2,4Ghz

Nr. model	CH512AC CH512AC_GREY CH512AC_WHITE
Alimentare de la rețea	230V~ / 50/60Hz
Putere nominală	2000W

Nr. model	CH512AC CH512AC_GREY CH512AC_WHITE
Setări ale încălzitorului	1000W / 2000W
Intervalul termostatului	5°C - 50°C
Clasificare IP	IP24
Frecvența WiFi	2,4Ghz

DESCRIERE

Numerele din textul de mai jos se referă la numerele utilizate în figurile A1, A2, A3, B, C de la pagina 2-3.

1. Încălzitor cu convector cu panou de sticlă
2. Butoane de control
 - A. Jos
 - B. Sus
 - C. WiFi / Luminozitate
 - D. Mod
 - E. Temporizator
 - F. Pornit / Oprit
3. Afișaj de stare
 - A. Setarea temperaturii / temporizatorului
 - B. Indicator de temperatură
 - C. Blocaj control
 - D. WiFi
4. Indicatori mod funcționare
 - A. Mod confort
 - B. Mod ECO
 - C. Mod anti-îngheț
5. Șurub
6. Suport de podea
7. Șurub montare pe perete
8. Diblu
9. Consolă montare pe perete

3. OPERAREA



Verificați dacă aparatul nu este deteriorat înainte de utilizare și utilizați-l numai în stare bună de funcționare.

Când utilizați încălzitorul pentru prima dată, este posibil să observați un miros ușor provenit de la elementul de încălzire. Acest lucru este normal și ar trebui să dispară după o perioadă de utilizare a încălzitorului.

Așezarea convectorului tip panou pe podea (fig. D)

- Instalați suporturile de podea (6) pe partea inferioară a încălzitorului (1) cu ajutorul șuruburilor (5) furnizate (fig. D)
- Așezați încălzitorul în poziție verticală pe o suprafață fermă și plană.
- Păstrați o distanță minimă de 1 m față de materialele combustibile (mobilier, perdele etc.). A se păstra ferit de umiditate.



Avertizare! Asigurați-vă că așezați încălzitorul într-un loc sigur, astfel încât să nu puteți împiedica cu ușurință de aparat și cablu. Asigurați-vă că așezați încălzitorul într-un loc în care să nu poată cădea.

Montarea încălzitorului tip panou convector pe perete (fig. E-1, E-2, E-3, F-1, F-2, F-3)

- Respectați modelele de orificii din fig. E-1, E-2, E-3. Găsiți modelul de orificii care corespunde încălzitorului dumneavoastră.
 - Pentru CH510AC / CH510AC_GREY / CH510AC_WHITE consultați fig. E-1
 - Pentru CH511AC / CH511AC_GREY / CH511AC_WHITE consultați fig. E-2
 - Pentru CH512AC / CH512AC_GREY / CH512AC_WHITE consultați fig. E-3
- Instalați două console de montare pe perete (9) pe perete cu ajutorul șuruburilor incluse (7) (fig. F-1). Folosiți diblurile de perete incluse (8) atunci când instalați pe un perete de beton/cărămidă. Consultați modelul de găuri menționat mai sus pentru a asigura distanța corectă între suporturi.
- Instalați două console de montare pe perete (9) pe partea inferioară a încălzitorului (1) cu ajutorul șuruburilor incluse (5) (fig. F-2). Suporturile instalate vor acționa ca un punct de sprijin pentru a asigura poziționarea încălzitorului la distanța corectă față de perete.
- Montați încălzitorul tip panou convector pe perete glisându-l pe suporturile de perete (fig. F-3).

Pornirea încălzitorului tip panou convector (fig. B)

- Conectați cablul la priza de curent.
- Apăsăți butonul Pornit/Oprit (2F) de pe panoul de comandă. Panoul de comandă va fi acum activat.
- Folosiți butonul Mod (2D) pentru a comuta între modurile de funcționare. Modul de funcționare

selectat este afișat de indicatoarele 4A, 4B sau 4C de pe panoul de comandă. Modulurile disponibile sunt:

4A	Mod confort	Încălzire la putere maximă
4B	Mod Eco	Încălzire la 50% din putere
4C	Mod anti-îngheț	Încălzire oprită, cu excepția cazului în care temperatura ambiantă scade sub 5°C

Reglarea temperaturii (fig. B)

- În mod implicit, pe afișaj este afișată temperatura ambiantă. Apăsăți o dată butonul Jos sau Sus (2A sau 2B) pentru a afișa temperatura țintă. Temperatura țintă va clipi.
- În timp ce temperatura țintă clipește, aceasta poate fi reglată între 5°C și 50°C prin apăsarea butoanelor Jos sau Sus (2A sau 2B).
- Temperatura țintă va continua să clipească timp de 5 secunde după ultima apăsare a butonului, apoi afișajul va reveni la starea implicită, indicând temperatura ambiantă.
- Țineți cont de faptul că temperatura țintă nu poate fi ajustată în timp ce încălzitorul se află în modul Anti-îngheț. Temperatura țintă este fixată la 5°C în acest mod de funcționare. Modul de funcționare trebuie mai întâi să fie schimbat în modul Confort sau în modul Eco înainte de a putea fi ajustată temperatura țintă.

Blocarea panoului de comandă (fig. B)

Panoul de comandă poate fi blocat pentru a preveni ajustarea accidentală sau neautorizată a setărilor încălzitorului. Pentru a bloca panoul de comandă, apăsați și mențineți apăsat butonul Sus (2B) timp de 3 secunde. Încălzitorul va emite un semnal sonor și indicatorul de blocare a controlului (3C) se va aprinde pentru a semnala că panoul de comandă este blocat. Pentru a dezactiva blocarea panoului de comandă, apăsați și mențineți apăsat butonul Jos (2A) timp de 3 secunde.

Temperatura constantă a camerei

Încălzitorul pornește și se oprește automat pentru a menține constantă temperatura camerei. Odată ce temperatura ambiantă din încăperea atinge temperatura țintă dorită, elementul de încălzire va fi oprit. Odată ce temperatura ambiantă începe să scadă, elementul de încălzire va fi pornit din nou.

Control automat de siguranță la supraîncălzire

Acest încălzitor este echipat cu un termostat intern de siguranță și un circuit de protecție împotriva supraîncălzirii. Când se atinge o temperatură potențială de supraîncălzire, sistemul va opri automat încălzitorul.

Oprirea încălzitorului tip panou de convector (Fig. B)

Apăsăți butonul Pornit/Oprit (2F) de pe panoul de comandă. Încălzitorul va fi pus în modul de așteptare. Elementul de încălzire va fi oprit și panoul de comandă va fi dezactivat.

Depozitarea încălzitorului tip panou convector

Lăsați întotdeauna încălzitorul să se răcească complet înainte de a-l muta sau depozita. Asigurați-vă că încălzitorul este deconectat de la rețea în timpul depozitării.



Avertizare. Nu depozitați aparatul într-un mediu umed. Protejați aparatul de praf în timpul depozitării.

După o perioadă prelungită de depozitare, verificați întotdeauna dacă elementul de încălzire este curat și lipsit de praf înainte de a utiliza din nou încălzitorul.

4. OPERAREA DE LA DISTANȚĂ

În plus față de operarea manuală menționată mai sus, încălzitorul tip panou convector poate fi operat și de la distanță, prin intermediul unei rețele WiFi, cu ajutorul telefonului inteligent sau al tabletei. Aplicația necesară poate fi descărcată și utilizată gratuit.

Descărcarea aplicației pe telefon sau tabletă (fig. G)

- Scanați codul QR (fig. G) de pe telefonul sau tableta dvs. pentru a descărca și instala aplicația „Smart Life”.
- Dacă nu puteți sau nu doriți să folosiți codul QR, puteți instala aplicația și manual. Pentru a face acest lucru, accesați Google Play Store sau Apple App Store pe telefon sau tabletă. Căutați aplicația „Smart Life” (fig. G)
- După ce aplicația a fost instalată, veți avea nevoie de un cont „Smart Life” pentru a vă conecta. Dacă nu aveți încă un cont, vă puteți crea unul (gratuit) apăsând butonul „Înregistrare” din aplicație.

Asocierea încălzitorului tip panou convector cu aplicația „Smart Life” (fig. H, I)

- Puneți încălzitorul în modul așteptare apăsând butonul Pornit/Oprit (2F). Afișajul încălzitorului va fi oprit, doar butonul Pornit/Oprit va rămâne aprins.
- Apăsăți și mențineți apăsat butonul WiFi/Luminozitate (2C) timp de cel puțin 3 secunde. Indicatorul de stare WiFi (3D) va începe să clipească.
- În timp ce indicatorul de stare WiFi clipește, deschideți aplicația de pe telefon sau tabletă și apăsați „Adaugă un dispozitiv”.
- Selectați tipul de aparat, în acest caz Aparat mic -> Încălzitor. Confirmați în aplicație că indicatorul de stare WiFi de pe încălzitor clipește.
- Aplicația vă va solicita să selectați o rețea WiFi și să introduceți parola WiFi. Aplicația va trimite aceste detalii către încălzitor, permițându-i acestuia să stabilească o conexiune la rețeaua WiFi.

Utilizarea aplicației „Smart Life” (fig. J)

Aplicația „Smart Life” poate fi utilizată pentru a controla mai multe dispozitive diferite.

Starea fiecărui dispozitiv este afișată în lista de dispozitive. Următoarele stări sunt posibile pentru încălzitorul cu panou convector:

- Offline (Dispozitivul nu este alimentat sau nu este conectat la rețeaua WiFi)
- Oprit (alimentarea și conexiunea la rețea sunt disponibile, încălzirea este dezactivată în prezent)
- Pornit (alimentarea și conexiunea la rețea sunt disponibile, încălzirea este activată)

Atunci când încălzitorul este online (fie oprit, fie pornit), atingeți numele dispozitivului în aplicație pentru a deschide interfața de comandă.

Notă: atunci când încălzitorul este deconectat, nu veți putea deschide interfața de control.

- Utilizați butonul Mod pentru a schimba modul de funcționare al încălzitorului. Modurile disponibile sunt:

Mod confort	Încălzire la putere maximă
Mod Eco	Încălzire la 50% din putere
Mod anti-îngheț	Încălzire oprită, cu excepția cazului în care temperatura ambiantă scade sub 5°C
- Utilizați butoanele „+” și „-” pentru a regla temperatura țintă.

5. ÎNTREȚINEREA



Înainte de curățare și întreținere, opriți alimentarea electrică a aparatului și deconectați fișa cablului de alimentare de la priza de rețea.

Curățarea



Lăsați aparatul să se răcească complet înainte de curățare.

- Ștergeți carcasa cu o cârpă moale și curată. Pentru părțile foarte murdare, ștergeți-le cu o cârpă umedă, apoi utilizați o cârpă curată și uscată pentru a le usca complet. Aveți grijă să nu intre apa în interiorul aparatului
- Pentru a proteja încălzitorul, nu stropiți cu apă pe el și nu utilizați niciodată solvenți chimici sau produse de curățare agresive.

Depozitarea

- Lăsați încălzitorul să se răcească complet înainte de al depozita.
- Depozitați încălzitorul într-un spațiu uscat, bine ventilat

MEDIU



Aparatele electrice sau electronice deteriorate și/sau defecte trebuie colectate în locurile de reciclare corespunzătoare.

Numai pentru țările din CE

Nu aruncați echipamentele acționate electric împreună cu gunoiul menajer. Conform Indicației europene 2012/19/EU pentru echipamente electrice și electronice uzate și a implementării sale la nivel național, echipamentele acționate electric scoase din uz trebuie colectate separat și evacuate într-o manieră ecologică.

GARANȚIE

Produsele VONROC sunt realizate la cele mai înalte standarde de calitate și sunt garantate în privința materialelor și a manoperei pentru întreaga perioadă de utilizare în garanție, începând cu data achiziției. În cazul în care produsul prezintă defecțiuni în perioada de garanție din cauza materialului defect și/sau a manoperei, contactați direct VONROC.

Următoarele circumstanțe sunt excluse de la această garanție:

- Reparațiile sau modificările care realizate sau care s-au încercat a fi efectuate de centre de service neautorizate;
- Uzura în condiții normale de utilizare;
- Unealta care a fost abuzată, utilizată într-un mod neglijent sau întreținută în mod inadecvat;
- Folosirea unor piese de schimb neoriginale.

Aceasta acoperă garanția companiei, explicită sau implicită. Nu există alte garanții explicite sau implicite care să se extindă dincolo de cele indicate aici, incluzând garanțiile, vandabilitatea sau adecvarea pentru un anumit scop. În nicio situație, VONROC nu este responsabil pentru daunele incidentale sau consecvențiale. Reparațiile efectuate de reprezentant trebuie să fie limitate la reparațiile sau la înlocuirea unităților sau a pieselor neconforme.

Produsul și manualul de utilizare pot suferi modificări. Specificațiile se pot modifica fără notificare prealabilă.

Identificatorul modelului: CH510AC, CH510AC_GREY, CH510AC_WHITE					
Element	Simbol	Valoare	Unitate	Element	Unitate
Putere termică				Tipul de putere termică, numai pentru încălzitoarele locale de stocare electrică (selecțai unu)	
Putere nominală de încălzire	Pnom	1,0	kW	Control manual al sarcinii de căldură, cu termostat integrat	Nu
Putere minimă de încălzire (orientativ)	Pmin	0,5	kW	Control manual al încălzirii cu feedback de temperatură în cameră și/sau exterior	Nu
Putere maximă continuă de încălzire	Pmax,c	1,0	kW	control electronic al căldurii cu feedback de temperatură ambientă și/sau exterioară	Nu
Consumul de energie electrică auxiliară				eliminare de căldură asistată de ventilator	Nu
La putere nominală de încălzire	elmax	N/A	kW	Tipul de eliminare a căldurii/controlul temperaturii camerei (selecțai unu)	
La putere minimă de încălzire	elmin	N/A	kW	Putere de încălzire într-o singură etapă și fără control al temperaturii camerei	Nu
În modul de așteptare	eISB	0,00173	kW	Două sau mai multe trepte manuale, fără control al temperaturii camerei	Nu
				Cu termostat mecanic pentru controlul temperaturii camerei	Nu
				Cu control electronic al temperaturii camerei	Nu
				Control electronic al temperaturii camerei plus cronometru de zi	Nu
				Control electronic al temperaturii camerei plus cronometru săptămânal	Da
				Alte opțiuni de control (selecții multiple posibile)	
				Controlul temperaturii camerei, cu detectarea prezenței	Nu
				Controlul temperaturii camerei, cu detectarea ferestrei deschise	Da
				cu opțiune de control la distanță	Da
				cu control adaptiv al pornirii	Nu
				cu limitare a timpului de lucru	Da
				cu senzor cu bec negru	Nu
Detalii de contact	VONROC • Lingenstraat 6 • 8028 PM • Zwolle • Olanda				

Identificatorul modelului: CH511AC, CH511AC_GREY, CH511AC_WHITE					
Element	Simbol	Valoare	Unitate	Element	Unitate
Putere termică				Tipul de putere termică, numai pentru încălzitoarele locale de stocare electrică (selecțai unul)	
Putere nominală de încălzire	Pnom	1,5	kW	Control manual al sarcinii de căldură, cu termostat integrat	Nu
Putere minimă de încălzire (orientativ)	Pmin	0,75	kW	Control manual al încălzirii cu feedback de temperatură în cameră și/sau exterior	Nu
Putere maximă continuă de încălzire	Pmax,c	1,5	kW	control electronic al căldurii cu feedback de temperatură ambiantă și/sau exterioară	Nu
Consumul de energie electrică auxiliară				eliminare de căldură asistată de ventilator	Nu
La putere nominală de încălzire	elmax	N/A	kW	Tipul de eliminare a căldurii/controlul temperaturii camerei (selecțai unul)	
La putere minimă de încălzire	elmin	N/A	kW	Putere de încălzire într-o singură etapă și fără control al temperaturii camerei	Nu
În modul de așteptare	elSB	0,00173	kW	Două sau mai multe trepte manuale, fără control al temperaturii camerei	Nu
				Cu termostat mecanic pentru controlul temperaturii camerei	Nu
				Cu control electronic al temperaturii camerei	Nu
				Control electronic al temperaturii camerei plus cronometru de zi	Nu
				Control electronic al temperaturii camerei plus cronometru săptămânal	Da
Alte opțiuni de control (selecții multiple posibile)					
				Controlul temperaturii camerei, cu detectarea prezenței	Nu
				Controlul temperaturii camerei, cu detectarea ferestrei deschise	Da
				cu opțiune de control la distanță	Da
				cu control adaptiv al pornirii	Nu
				cu limitare a timpului de lucru	Da
				cu senzor cu bec negru	Nu
Detalii de contact	VONROC • Lingenstraat 6 • 8028 PM • Zwolle • Olanda				

Identificatorul modelului: CH512AC, CH512AC_GREY, CH512AC_WHITE					
Element	Simbol	Valoare	Unitate	Element	Unitate
Putere termică				Tipul de putere termică, numai pentru încălzitoarele locale de stocare electrică (selectați unul)	
Putere nominală de încălzire	Pnom	2,0	kW	Control manual al sarcinii de căldură, cu termostat integrat	Nu
Putere minimă de încălzire (orientativ)	Pmin	1,0	kW	Control manual al încălzirii cu feedback de temperatură în cameră și/sau exterior	Nu
Putere maximă continuă de încălzire	Pmax,c	2,0	kW	control electronic al căldurii cu feedback de temperatură ambientă și/sau exterioară	Nu
Consumul de energie electrică auxiliară				eliminare de căldură asistată de ventilator	Nu
La putere nominală de încălzire	elmax	N/A	kW	Tipul de eliminare a căldurii/controlul temperaturii camerei (selectați unul)	
La putere minimă de încălzire	elmin	N/A	kW	Putere de încălzire într-o singură etapă și fără control al temperaturii camerei	Nu
În modul de așteptare	eISB	0,00173	kW	Două sau mai multe trepte manuale, fără control al temperaturii camerei	Nu
				Cu termostat mecanic pentru controlul temperaturii camerei	Nu
				Cu control electronic al temperaturii camerei	Nu
				Control electronic al temperaturii camerei plus cronometru de zi	Nu
				Control electronic al temperaturii camerei plus cronometru săptămânal	Da
Alte opțiuni de control (selecții multiple posibile)					
				Controlul temperaturii camerei, cu detectarea prezenței	Nu
				Controlul temperaturii camerei, cu detectarea ferestrei deschise	Da
				cu opțiune de control la distanță	Da
				cu control adaptiv al pornirii	Nu
				cu limitare a timpului de lucru	Da
				cu senzor cu bec negru	Nu
Detalii de contact	VONROC • Lingenstraat 6 • 8028 PM • Zwolle • Olanda				

1. INSTRUÇÕES DE SEGURANÇA

Leia os avisos de segurança fornecidos, os avisos de segurança adicionais e as instruções. O não cumprimento dos avisos de segurança e das instruções pode resultar em choque eléctrico, incêndio e/ou ferimentos graves. Guarde os avisos de segurança e as instruções para referência futura.

Os seguintes símbolos são utilizados no manual do utilizador ou no produto:



Leia o manual do utilizador.



Indica o risco de ferimentos, morte ou danos na ferramenta se as instruções indicadas neste manual não forem seguidas.



Indica risco de choque eléctrico.



Importante! AVISO: Para evitar sobreaquecimento, não tape o aquecedor.



Não elimine o produto em recipientes não adequados.



O produto está em conformidade com as normas de segurança aplicáveis nas directivas europeias.

AVISOS GERAIS DE SEGURANÇA

Este equipamento pode ser utilizado por crianças a partir dos 8 anos e por pessoas com capacidades físicas, sensoriais ou mentais reduzidas ou com falta de experiência e conhecimentos que tenham recebido instruções ou supervisão sobre a utilização segura do equipamento e compreendam os riscos envolvidos. As crianças não devem brincar com o equipamento. A limpeza e a manutenção por parte do utilizador não devem ser efectuadas por crianças sem supervisão.

As crianças com menos de 3 anos devem ser mantidas afastadas, a menos que sejam supervisionadas de maneira contínua.

As crianças com idades compreendidas entre os 3 e os 8 anos só devem ligar/desligar o equipamento se este tiver sido colocado ou instalado na posição de funcionamento normal pretendida

e se forem supervisionadas e tiverem recebido instruções sobre a utilização do equipamento em segurança e compreenderem os riscos associados. As crianças com idades compreendidas entre os 3 e os 8 anos não devem ligar, regular e limpar o equipamento ou efectuar a manutenção do utilizador.



CUIDADO: algumas peças deste produto podem ficar muito quentes e causar queimaduras. Deve ser prestada especial atenção se houver crianças e pessoas vulneráveis.

AVISOS DE SEGURANÇA ADICIONAIS PARA TERMOCONVECTORES COM PAINÉIS

- As crianças não devem estar presentes, a menos que estejam sempre acompanhadas, para garantir que não brincam com a máquina.
- As crianças não devem ligar, colocar, utilizar, regular, limpar o equipamento ou efectuar tarefas de manutenção.
- CUIDADO: algumas peças deste produto podem ficar muito quentes e causar queimaduras. Deve ser prestada especial atenção se houver crianças e pessoas vulneráveis.
- A máquina não é adequada para utilização no exterior, em casas de banho ou noutros ambientes molhados ou húmidos.
- Tenha em atenção que a máquina pode ficar muito quente e, por conseguinte, ser colocada uma distância segura de objectos inflamáveis, como mobília, cortinas e objectos semelhantes.
- Não tape o aquecedor.
- A máquina não deve colocada imediatamente abaixo de uma tomada de parede
- Não ligue a máquina utilizando um temporizador de ligar/desligar ou outro equipamento externo que desligue o dispositivo automaticamente.
- A máquina não deve ser colocada/utilizada em salas com líquidos ou gases inflamáveis.
- Se utilizar uma extensão, deve ser a mais curta possível e deve estar sempre totalmente esticada.
- Não deve ligar outros equipamentos à tomada de parede da máquina
- Não utilize a máquina perto de banheiras, chuveiros ou piscinas.
- Se o cabo de alimentação estiver danificado, deve ser substituído pelo fabricante,

o respectivo técnico de assistência ou técnicos devidamente qualificados para evitar uma situação de perigo.

- A máquina deve ser sempre vigiada e as crianças e animais devem estar sempre afastados.
- Não coloque/utilize a máquina sobre veículos em movimento ou num local onde seja fácil tropeçar na máquina.
- Se a máquina não for utilizada durante muito tempo, desligue a máquina da tomada. Puxe pela ficha, nunca retire a ficha pelo cabo.
- Mantenha a máquina afastada de cortinas ou locais onde a ventoinha de entrada de ar possa ficar obstruída.
- Para evitar um choque eléctrico ou corrente de fuga, nunca utilize a máquina com as mãos molhadas ou utilize a máquina se o cabo de alimentação estiver molhado.
- Não elimine equipamentos eléctricos como resíduos municipais não triados, utilize instalações de recolha separadas. Contacte a sua autarquia para obter informações sobre os sistemas de recolha disponíveis. Se o equipamento eléctrico for eliminado em aterros ou lixeiras, pode haver uma fuga de substâncias perigosas para as águas subterrâneas e entrar em contacto com a cadeira alimentar, o que é prejudicial para a sua saúde e bem-estar.
- Este equipamento não deve ser utilizado por pessoas (incluindo crianças) com capacidades físicas, sensoriais ou mentais reduzidas ou com falta de experiência e conhecimentos, a menos que tenham recebido supervisão ou instruções relacionadas com a utilização do equipamento por uma pessoa responsável pela sua segurança.

Segurança eléctrica

Quando utilizar máquinas eléctricas, cumpra sempre os regulamentos de segurança aplicáveis ao seu país para reduzir o risco de incêndio, choque eléctrico e ferimentos. Leia as seguintes instruções de segurança, assim como as instruções de segurança fornecidas.

Verifique sempre se a tensão da fonte de alimentação corresponde à tensão indicada na etiqueta da placa sinalética.

Se não for possível evitar trabalhar com uma ferramenta eléctrica num local húmido, utilize uma

fonte de alimentação protegida por um dispositivo de corrente residual (DCR). A utilização de um DCR reduz o risco de choque eléctrico.

2. INFORMAÇÕES SOBRE A MÁQUINA

Utilização pretendida

O termoconvector com painel de vidro é concebido apenas para utilização no interior. A máquina deve ser colocada numa superfície estável ou montada em segurança numa parede, utilizando os suportes incluídos. A máquina pode ser utilizada através dos comandos manuais no painel dianteiro ou utilizada de maneira remota através de uma rede de Wi-Fi. O aquecedor está equipado com um termóstato e funções de segurança, como protecção contra queda e sobreaquecimento.

ESPECIFICAÇÕES TÉCNICAS

Modelo n.º	CH510AC CH510AC_CINZENTO CH510AC_BRANCO
Fonte de alimentação	230V~ / 50/60Hz
Potência nominal	1000 W
Definições do aquecedor	500 W/1000 W
Gama de temperaturas do termóstato	5°C - 50°C
Classificação IP	IP24
Frequência de Wi-Fi	2,4 GHz

Modelo n.º	CH511AC CH511AC_CINZENTO CH511AC_BRANCO
Fonte de alimentação	230V~ / 50/60Hz
Potência nominal	1500 W
Definições do aquecedor	750W/1500W
Gama de temperaturas do termóstato	5°C - 50°C
Classificação IP	IP24
Frequência de Wi-Fi	2,4 GHz


Modelo n.º	CH512AC CH512AC_CINZENTO CH512AC_BRANCO
Fonte de alimentação	230V~ / 50/60Hz
Potência nominal	2000 W
Definições do aquecedor	1000W/2000W
Gama de temperaturas do termóstato	5°C - 50°C
Classificação IP	IP24
Frequência de Wi-Fi	2,4 GHz

DESCRIÇÃO

Os números indicados no texto abaixo dizem respeito aos números indicados nas figuras A1, A2, A3, B, C nas páginas 2 e 3.

1. Termoconvector com painel de vidro
2. Botões de comando
 - A. Para baixo
 - B. Para cima
 - C. Wi-Fi/luminosidade
 - D. Modo
 - E. Temporizador
 - F. Ligar/desligar
3. Visor de estado
 - A. Temperatura/definição do temporizador
 - B. Indicador de temperatura
 - C. Bloqueio dos comandos
 - D. Wi-Fi
4. Indicadores de modo de funcionamento
 - A. Modo de conforto
 - B. Modo ecológico
 - C. Modo anti-gelo
5. Parafuso
6. Suporte de chão
7. Parafuso de montagem na parede
8. Tomada de parede
9. Suporte de montagem na parede

3. FUNCIONAMENTO

 *Verifique se o dispositivo apresenta danos antes de utilizá-lo e verifique se está em boas condições de funcionamento.*

Quando utilizar o aquecedor pela primeira vez, pode reparar num ligeiro odor que é gerado pelo elemento de aquecimento. Isto é normal

e desaparece depois de utilizar o aquecedor durante algum tempo.

Colocar o termoconvector com painel no chão (Fig. D)

- Instale os suportes de chão (6) na parte inferior do aquecedor (1) utilizando os parafusos fornecidos (5) (Fig. D)
- Coloque o aquecedor na vertical sobre superfície robusta e nivelada.
- Mantenha uma distância mínima de 1 m de materiais combustíveis (móveis, cortinas, etc.). Mantenha afastado de ambientes húmidos.



Aviso! Certifique-se de que coloca o aquecedor num lugar seguro, para que não tropece facilmente na máquina e no cabo. Certifique-se de que coloca o aquecedor num local onde não caia.

Montar o termoconvector na parede (Fig. E-1, E-2, E-3, F-1, F-2, F-3)

- Respeite os padrões de furos na Fig. E-1, E-2, E-3. Encontre o padrão de furos que corresponda ao seu aquecedor.
 - Para os modelos Sch510ac/ch510ac_cinzento/CH510AC_BRANCO, consulte a Fig. E-1
 - Para os modelos CH511AC/CH511AC_CINZENTO/CH511AC_BRANCO, consulte a Fig. E-2
 - Para os modelos CH512AC/CH512AC_GREY/CH512AC_BRANCO, consulte a Fig. E-3
- Instale os dois suportes de montagem na parede (9) na parede, utilizando os parafusos incluídos (7) (Fig. F-1). Utilize as tomadas de parede (8) incluídas quando instalar numa parede de betão/tijolo. Consulte o padrão de furo referido para garantir o espaçamento correcto entre os suportes.
- Instale os dois suportes de montagem na parede (9) na parte inferior do aquecedor (1), utilizando os parafusos incluídos (5) (Fig. F-2). Os suportes instalados funcionam como suporte para garantir que o aquecedor fica posicionada à distância correcta da parede.
- Monte o termoconvector com painéis na parede, encaixando-o nos suportes de parede (Fig. F-3).

Ligar o termoconvector com painéis (Fig. B)

- Ligue o cabo à tomada de rede eléctrica.
- Carregue no botão para ligar/desligar (2F) no painel de controlo. O painel de controlo é activado.
- Utilize o botão de modo (2D) para percorrer entre modos de funcionamento. O modo de funcionamento seleccionado é apresentado pelos indicadores 4A, 4B ou 4C no painel de controlo. Os modos disponíveis são:

4A	Modo de conforto	Aquecimento à potência máxima
4B	Modo ecológico	Aquecimento a 50 % de potência
4C	Modo anti-gelo	Aquecimento desligado, a não ser que a temperatura ambiente seja inferior a 5 °C

Ajustar a temperatura (Fig. B)

- Por predefinição, a temperatura ambiente é apresentada no visor. Carregue no botão para baixo ou para cima (2A ou 2B) uma vez para visualizar a temperatura pretendida. A temperatura pretendida começa a piscar.
- Quando a temperatura pretendida começa a piscar, pode ser ajustada entre 5 °C e 50 °C, carregando nos botões para cima ou para baixo (2A ou 2B).
- A temperatura pretendida continua a piscar durante 5 segundos depois do último botão ser premido. Em seguida, o visor muda para o estado predefinido, que indica a temperatura ambiente.
- Tenha em atenção que a temperatura pretendida não pode ser ajustada quando o aquecedor estiver no modo Anti-gelo. Neste modo de funcionamento, a temperatura pretendida é fixada a 5 °C. O modo de funcionamento deve ser alterado primeiro para o modo Conforto ou Ecológico antes de poder ajustar a temperatura pretendida.

Bloquear o painel de controlo (Fig. B)

O painel de controlo pode ser bloqueado para evitar ajustes acidentais ou não autorizados das definições do aquecedor. Para bloquear o painel de controlo, prima e mantenha premido o botão Para cima (2B) durante 3 segundos. O aquecedor emite um sinal sonoro e o indicado de bloqueio de controlo (3C) acende-se para indicar que o painel

de controlo está bloqueado. Para desactivar o bloco do painel de controlo, prima e mantenha premido o botão Para baixo (2A) durante 3 segundos.

Temperatura ambiente constante

O aquecedor é iniciado e pára automaticamente para manter a temperatura ambiente constante. Quando a temperatura ambiente na sala atinge a temperatura pretendida, o elemento de aquecimento é desligado. Quando a temperatura ambiente começa a diminuir, o elemento de aquecimento é ligado novamente.

Controlo automático de sobreaquecimento

Este aquecedor está equipado com um termóstato de segurança interno e um circuito de protecção contra sobreaquecimento. Quando é atingida uma temperatura de sobreaquecimento, o sistema desliga automaticamente o aquecedor.

Parar o termoconvector com painéis (Fig. B)

Carregue no botão para ligar/desligar (2F) no painel de controlo. O aquecedor é colocado no modo de espera. O elemento de aquecimento é desligado e o painel de controlo é desactivado.

Armazenar o termoconvector com painéis

Aguarde até o aquecedor arrefecer por completo antes de mover ou armazenar o aquecedor. Quando armazenar o aquecedor, certifique-se de que desliga a ficha do aquecedor da tomada eléctrica.



Aviso. Não armazene a máquina num ambiente húmido. Quando armazenar a máquina, proteja-a de poeira.

Se armazenar o equipamento durante um período prolongado, certifique-se sempre de que o elemento de aquecimento está limpo e sem pó antes de utilizar o aquecedor novamente.

4. FUNCIONAMENTO REMOTO

Além do funcionamento manual indicado, o termoconvector com painéis pode ser também utilizado de maneira remota através de uma rede Wi-Fi com o seu smartphone ou tablet. A aplicação necessária pode ser transferida e utilizada gratuitamente.

Transferir a aplicação para o telemóvel ou tablet (Fig. G)

- Leia o código QR (Fig. G) no telemóvel ou tablet para transferir e instalar a aplicação “Smart Life”.
- Se não conseguir ou não quiser utilizar o código QR, pode também instalar a aplicação manualmente. Para fazê-lo, visite a Google Play Store ou a Apple App Store no seu telemóvel ou tablet. Procurar a aplicação “Smart Life” (Fig. G)
- Depois da aplicação ser instalada, necessita de uma conta “Smart Life” para iniciar sessão. Se ainda não tem uma conta, pode criar uma (gratuitamente) tocando no botão “Registar” na aplicação.

Emparelhar o termoconvector com a aplicação “Smart Life” (Fig. H, I)

- Coloque o aquecedor no modo de espera, carregando no botão para ligar/desligar (2F). O visor do aquecedor é desligado, apenas o botão para ligar/desligar permanece aceso.
- Prima e mantenha premido o botão Wi-Fi/luminosidade (2C) durante pelo menos 3 segundos. O indicador de estado Wi-Fi (3D) começa a piscar.
- Quando o indicador de estado de Wi-Fi estiver a piscar, abra a aplicação no telemóvel ou tablet e prima Adicionar um dispositivo.
- Selecione o tipo de dispositivo, neste caso, Pequenos dispositivos -> Aquecedor. Confirme na aplicação se o indicador de estado da Wi-Fi no aquecedor está a piscar.
- É apresentada uma mensagem na aplicação para seleccionar uma rede Wi-Fi e introduza a palavra-passe de Wi-Fi. A aplicação envia estes dados para o aquecedor, o que permite ao aquecedor estabelecer ligação à sua rede Wi-Fi.

Utilizar a aplicação “Smart Life” (Fig. J)

A aplicação “Smart Life” pode ser utilizada para controlar vários dispositivos diferentes. O estado de cada dispositivo é apresentado na lista de dispositivos. Os seguintes estados podem ser apresentados no termoconvector com painéis:

- Offline (o dispositivo não está ligado ou não está ligado à rede Wi-Fi)
- Desligado (a alimentação ou a ligação à rede estão disponíveis, o aquecimento está desactivado)
- Ligado (a alimentação ou a ligação à rede estão disponíveis, o aquecimento está activado)

Quando o aquecedor estiver online (Desligado ou Ligado), toque no nome do dispositivo na aplicação para abrir a interface de controlo.

Nota: quando o aquecedor estiver offline, não é possível abrir a interface de controlo.

- Utilize o botão de modo para alterar o modo de funcionamento do aquecedor. Os modos disponíveis são:

Modo de conforto	Aquecimento à potência máxima
Modo ecológico	Aquecimento a 50 % da potência
Modo anti-gelo	Aquecimento desligado, a não ser que a temperatura ambiente seja inferior a 5 °C
- Utilize os botões “+” e “-” para ajustar a temperatura pretendida.

5. MANUTENÇÃO



Antes de efectuar a limpeza e a manutenção, desligue sempre a máquina e retire a ficha de alimentação da rede eléctrica.

Limpeza



Antes de proceder à limpeza, aguarde até a máquina arrefecer por completo.

- Limpe a caixa com um pano macio. Se as peças estiverem muito sujas, limpe-as com um pano húmido e depois utilize um pano limpo e seco para secá-las por completo. Tenha cuidado para não permitir a entrada de água no interior do equipamento
- Para proteger o aquecedor, não salpique água dentro do aquecedor e nunca utilize solventes químicos ou produtos de limpeza agressivos.

Armazenamento

- Aguarde sempre que a máquina arrefeça por completo antes de armazená-la.
- Armazene o aquecedor num local seco e bem ventilado

AMBIENTE



Os equipamentos eléctricos ou electrónicos defeituosos e/ou eliminados devem ser recolhidos em locais de reciclagem adequados.

Apenas para os países da CE

Não elimine as ferramentas eléctricas em conjunto com os resíduos domésticos. De acordo com a directiva europeia 2012/19/EU sobre resíduos de equipamentos eléctricos e electrónicos e a respectiva implementação na legislação nacional, as ferramentas eléctricas que já não sejam utilizadas devem ser recolhidas em separado e eliminadas de maneira ecológica.

GARANTIA

Os produtos da VONROC são desenvolvidos de acordo com os padrões de qualidade mais elevados e não apresentam quaisquer defeitos em termos de materiais e mão-de-obra em relação ao período estipulado por lei, cujo início é a partir da data de compra original. Se o produto apresentar qualquer falha durante este período devido a qualquer defeito no material e/ou de mão-de-obra, contacte a VONROC directamente.

As seguintes circunstâncias estão excluídas desta garantia:

- Se forem efectuadas ou tentadas quaisquer reparações e/ou alterações na máquina por centros de assistência não autorizados;
- Desgaste normal;
- Se a ferramenta foi utilizada de maneira abusiva, indevida ou a manutenção for efectuada de maneira incorrecta;
- Se forem utilizadas peças sobresselentes não originais.

Isto constitui a única garantia feita pela empresa, de maneira expressa ou implícita. Não existem quaisquer outras garantias expressas ou implícitas que se prolonguem, incluindo as garantias implícitas de comercialização e adequação para fins específicos. A VONROC não será, em nenhuma circunstância, responsável por danos incidentais ou indirectos. Os fornecedores devem estar limitados a reparar ou substituir as unidades ou peças que não estejam em conformidade.

O equipamento e o manual do utilizador estão sujeitos a alterações sem aviso prévio. As especificações podem ser alteradas sem aviso prévio.

Identificador(es) de modelo: CH510AC, CH510AC_CINZENTO, CH510AC_BRANCO					
Item	Símbolo	Valor	Unidade	Item	Unidade
Saída de calor				Tipo de entrada de calor, apenas para aquecedores eléctricos de armazenamento local (seleccione um)	
Saída de calor nominal	Pnom	1,0	kW	controlo de carga calorífica manual, com termóstato integrado	Não
Saída mínima de calor (indicativa)	Pmin	0,5	kW	controlo de carga calorífica manual com informações sobre temperatura ambiente e/ou exterior	Não
Saída máxima de calor contínuo	Pmax,c	1,0	kW	controlo de carga calorífica electrónica com informações sobre temperatura ambiente e/ou exterior	Não
Consumo de electricidade auxiliar				saída de calor com ventoinha integrada	
À saída de calor nominal	elmax	N/A	kW	Tipo de saída de calor/controlo da temperatura ambiente (seleccione um)	
À saída de calor mínima	elmin	N/A	kW	saída de calor monofásica e sem controlo da temperatura ambiente	Não
No modo de espera	elSB	0,00173	kW	Duas ou mais fases manuais, sem controlo da temperatura ambiente	Não
				com controlo mecânico da temperatura ambiente do termóstato	Não
				com controlo electrónico da temperatura ambiente	Não
				controlo electrónico da temperatura ambiente, mais temporizador diário	Não
				controlo electrónico da temperatura ambiente, mais temporizador semanal	Sim
				Outras opções de controlo (várias seleções possíveis)	
				controlo da temperatura ambiente, com detecção de presença	Não
				controlo da temperatura ambiente, com detecção de janela aberta	Sim
				com opção de controlo da distância	Sim
				com controlo de arranque adaptativo	Não
				com limitação de tempo de funcionamento	Sim
				com sensor de lâmpada preta	Não
Dados de contacto VONROC • Lingenstraat 6 • 8028 PM • Zwolle • Países Baixos					

Identificador(es) de modelo: CH511AC, CH511AC_CINZENTO, CH511AC_BRANCO					
Item	Símbolo	Valor	Unidade	Item	Unidade
Saída de calor				Tipo de entrada de calor, apenas para aquecedores eléctricos de armazenamento local (seleccione um)	
Saída de calor nominal	Pnom	1,5	kW	controlo de carga calorífica manual, com termóstato integrado	Não
Saída mínima de calor (indicativa)	Pmin	0,75	kW	controlo de carga calorífica manual com informações sobre temperatura ambiente e/ou exterior	Não
Saída máxima de calor contínuo	Pmax,c	1,5	kW	controlo de carga calorífica electrónica com informações sobre temperatura ambiente e/ou exterior	Não
Consumo de electricidade auxiliar				saída de calor com ventoinha integrada	
À saída de calor nominal				Tipo de saída de calor/controlo da temperatura ambiente (seleccione um)	
	elmax	N/A	kW		
À saída de calor mínima	elmin	N/A	kW	saída de calor monofásica e sem controlo da temperatura ambiente	Não
No modo de espera	eLSB	0,00173	kW	Duas ou mais fases manuais, sem controlo da temperatura ambiente	Não
				com controlo mecânico da temperatura ambiente do termóstato	Não
				com controlo electrónico da temperatura ambiente	Não
				controlo electrónico da temperatura ambiente, mais temporizador diário	Não
				controlo electrónico da temperatura ambiente, mais temporizador semanal	Sim
				Outras opções de controlo (várias selecções possíveis)	
				controlo da temperatura ambiente, com detecção de presença	Não
				controlo da temperatura ambiente, com detecção de janela aberta	Sim
				com opção de controlo da distância	Sim
				com controlo de arranque adaptativo	Não
				com limitação de tempo de funcionamento	Sim
				com sensor de lâmpada preta	Não
Dados de contacto VONROC • Lingenstraat 6 • 8028 PM • Zwolle • Países Baixos					

Identificador(es) de modelo: CH512AC, CH512AC_CINZENTO, CH512AC_BRANCO					
Item	Símbolo	Valor	Unidade	Item	Unidade
Saída de calor				Tipo de entrada de calor, apenas para aquecedores eléctricos de armazenamento local (seleccione um)	
Saída de calor nominal	Pnom	2,0	kW	controlo de carga calorífica manual, com termóstato integrado	Não
Saída mínima de calor (indicativa)	Pmin	1,0	kW	controlo de carga calorífica manual com informações sobre temperatura ambiente e/ou exterior	Não
Saída máxima de calor contínuo	Pmax,c	2,0	kW	controlo de carga calorífica electrónica com informações sobre temperatura ambiente e/ou exterior	Não
Consumo de electricidade auxiliar				saída de calor com ventoinha integrada	
À saída de calor nominal	elmax	N/A	kW	Tipo de saída de calor/controlo da temperatura ambiente (seleccione um)	
À saída de calor mínima	elmin	N/A	kW	saída de calor monofásica e sem controlo da temperatura ambiente	Não
No modo de espera	elSB	0,00173	kW	Duas ou mais fases manuais, sem controlo da temperatura ambiente	Não
				com controlo mecânico da temperatura ambiente do termóstato	Não
				com controlo electrónico da temperatura ambiente	Não
				controlo electrónico da temperatura ambiente, mais temporizador diário	Não
				controlo electrónico da temperatura ambiente, mais temporizador semanal	Sim
				Outras opções de controlo (várias seleções possíveis)	
				controlo da temperatura ambiente, com detecção de presença	Não
				controlo da temperatura ambiente, com detecção de janela aberta	Sim
				com opção de controlo da distância	Sim
				com controlo de arranque adaptativo	Não
				com limitação de tempo de funcionamento	Sim
				com sensor de lâmpada preta	Não
Dados de contacto VONROC • Lingenstraat 6 • 8028 PM • Zwolle • Países Baixos					

1. BIZTONSÁGI UTASÍTÁSOK

Olvassa el az összes mellékelt biztonsági figyelmeztetést. A figyelmeztetések és utasítások be nem tartása áramütéshez, tűz keletkezéséhez vagy akár súlyos személyi sérüléshez vezethet. Őrizze meg a biztonsági figyelmeztetéseket és utasításokat későbbre is.

A használati útmutatóban és a terméken a következő jelölésekkel találkozhat:



Olvassa el a használati útmutatót.



Jelzi a személyi sérülések, az életveszély vagy a szerszám károsodásának veszélyét.



Jelzi az áramütés veszélyét.



Fontos! FIGYELMEZTETÉS: A túlmelegedés elkerülésére ne takarja le a fűtőberendezést.



A terméket hulladékként ne tegye arra nem alkalmas konténerbe.



A termék megfelel az európai irányelvek releváns biztonsági követelményeinek.

ÁLTALÁNOS BIZTONSÁGI FIGYELMEZTETÉSEK

A készüléket 8 éves vagy annál idősebb gyermekek, valamint csökkent fizikai, érzékszervi vagy mentális képességekkel rendelkező személyek, vagy megfelelő tapasztalattal és tudással nem rendelkező személyek csak felügyelet mellett használhatják, ill. ha megfelelő utasításokat kaptak a készülék biztonságos használatához és megértették a kapcsolódó veszélyeket. A készülék nem gyermekek kezébe való játékszer. A tisztítását és karbantartását gyermek felügyelet nélkül nem végezheti.

A 3 évnél fiatalabb gyerekektől távol kell tartani; vagy őket folyamatosan felügyelni kell.

A 3 éves vagy idősebb, de 8 évnél fiatalabb gyerekek a készüléket csak akkor kapcsolhatják be és ki, ha azt megfelelően helyezték el, telepítették és azt rendes üzemi pozícióban használnák és megfelelő utasításokat kaptak a készülék biztonságos használatához és megértették a kapcsolódó

veszélyeket. A 3 éves vagy idősebb, de 8 évnél fiatalabb gyerekek a készüléket nem csatlakoztathatják elektromos aljzathoz és a készüléket nem szabályozhatják, tisztíthatják és nem végezhetnek rajta felhasználói karbantartást.



VIGYÁZAT - a termék bizonyos részei forrók lehetnek és égési sérülést okozhatnak. Különösen legyen óvatos, figyelmes, ha gyerekek vagy más sérülékeny emberek találhatók a közelben.

TOVÁBBI BIZTONSÁGI UTASÍTÁSOK A KONVEKTOROS FŰTŐPANLEHEZ

- A gyermekek tartózkodjanak távol a berendezéstől, vagy legyenek folyamatos felügyelet alatt, hogy ne játszhassanak a géppel.
- Gyermekek számára tilos bedugni, elhelyezni, működtetni, szabályozni, tisztítani és karbantartani a berendezést.
- VIGYÁZAT - a termék bizonyos részei forrók lehetnek és égési sérülést okozhatnak. Különösen figyeljen oda, ha gyermekek vagy kiszolgáltatott emberek találhatók a közelben.
- A készülék nem alkalmas kültéri, fürdőszobai vagy egyéb vizes, nedves környezetben történő alkalmazásra.
- Vegye figyelembe, hogy a gép nagyon fel tud forrósodni, ezért biztonságos távolságban kell elhelyezni a gyúlékony tárgyaktól, például a bútorzattól vagy függönytől.
- Ne takarja le a fűtőberendezést.
- A berendezést közvetlenül a fali aljzat alatt kell elhelyezni
- Ne csatlakoztassa a gépet be-/kikapcsoló időzítőhöz vagy egyéb olyan külső berendezéshez, amely automatikusan be tudja kapcsolni a berendezést.
- A gépet tilos olyan helyiségbe tenni/ olyan helyiségben használni, ahol gyúlékony folyadékok vagy gázok találhatók.
- Ha hosszabbító kábelt használ, akkor az legyen a lehető legrövidebb, és mindig teljesen tekerje le.
- Tilos ugyanabba a fali aljzatba ezen a gépen kívül másik berendezést is bedugni
- Ne használja a berendezést fürdőszoba, zuhanyzó vagy medence közvetlen közelében.
- Ha a hálózati csatlakozódugó megsérült, a veszélyhelyzetek elkerülése érdekében ki kell cseréltetni a gyártóval, megbízott szervizzel

vagy más, hasonlóan képzett szakemberrel.

- Gondoskodjon arról, hogy a gép mindig felügyelet alatt legyen, tartsa távol tőle a gyerekeket és az állatokat.
- Ne helyezze/használja a gépet mozgó járművökön vagy olyan helyeken, ahol könnyen bele lehet botlani.
- Ha a gépet hosszabb ideig nem fogja használni, húzza ki a hálózati aljzataból. Mindig a dugónál, soha ne a vezetéknel fogva húzza ki az aljzataból.
- Tartsa távol a berendezést olyan helyektől, ahol a légbeszívó nyílás könnyen eltömődhet.
- Egy esetleges áramütés vagy áramszivárgás megakadályozása érdekében soha ne használja vizes kézzel a berendezést és ne is működtesse, ha vizes a tápellátó vezeték.
- Ne dobjon elektromos berendezést a kommunális hulladék közé, vegye igénybe a szelektív gyűjtési lehetőségeket. A rendelkezésre álló gyűjtési rendszerekről érdeklődjön a helyi önkormányzatnál. Amennyiben az elektromos berendezés szemétként kerül ki, akkor veszélyes anyagok kerülhetnek a talajvízbe és így a táplálékláncba, károsítva az Ön egészségét és jóllétét.
- Ez a készülék nem használható csökkent fizikai, érzékszervi vagy szellemi képességekkel, illetve tapasztalat és ismeretek hiányával rendelkező személyek (beleértve a gyermekeket is) által, kivéve, ha a biztonságukért felelős személy felügyeli vagy oktatja őket a készülék használatára vonatkozóan.

Elektromos biztonság

Villamos kisgépek használatakor mindig tartsa be az adott ország tűz és áramütés elleni és egyéb balesetek elkerülését célzó szabályokat. Olvassa el a következő biztonsági utasításokat és a géphez mellékelt munkavédelmi utasításokat is.

Mindig ellenőrizze, hogy a tápellátás megfelel-e az adattáblán feltüntetett feszültségnek.

Ha az elektromos terméket mindenképpen nedves környezetben kell használni, akkor használjon áramvédő kapcsolóval (RCD) ellátott tápforrást. Az áramvédő kapcsolóval ellátott tápforrás használatával mérsékelhető az elektromos áramütés veszélye.

2. A GÉP ADATAI

Rendeltetés

Az üveglapos konvektoros fűtőberendezés kizárólag beltéri használatra készült. A gépet stabil felületen kell elhelyezni, vagy a melléklet konzolokkal biztonságosan a falra kell rögzíteni. A berendezést az előlő panel manuális vezérlőelemeivel, vagy távolról, WIFI-hálózat segítségével lehet működtetni. A fűtőberendezésben termosztát és olyan biztonsági berendezés található, amely véd a felborulás és túlmelegedés ellen.

MŰSZAKI ADATOK

Modellazonosító	CH510AC CH510AC_GREY CH510AC_WHITE
Tápellátás	230V~ / 50/60Hz
Névleges teljesítmény	1000 W
Fűtőberendezés beállítása	500W / 1000W
Termosztát hőtartomány	5°C - 50°C
IP-besorolás	IP24
WIFI-frekvencia	2,4 Ghz

Modellazonosító	CH511AC CH511AC_GREY CH511AC_WHITE
Tápellátás	230V~ / 50/60Hz
Névleges teljesítmény	1500 W
Fűtőberendezés beállítása	750W / 1500W
Termosztát hőtartomány	5°C - 50°C
IP-besorolás	IP24
WIFI-frekvencia	2,4 Ghz

Modellazonosító	CH512AC CH512AC_GREY CH512AC_WHITE
Tápellátás	230V~ / 50/60Hz
Névleges teljesítmény	2000 W
Fűtőberendezés beállítása	1000W / 2000W
Termosztát hőtartomány	5°C - 50°C
IP-besorolás	IP24
WIFI-frekvencia	2,4 Ghz

LEÍRÁS

A alábbi szövegben található számok a 2–3. oldal A1, A2, A3, B, C számaira utalnak.

1. Üveglapos konvektoros fűtőberendezés
2. Vezérlőgombok
 - A. Le
 - B. Fel
 - C. WIFI / Fényerő
 - D. Üzem mód
 - E. Időzítő
 - F. On / Off
3. Állapotkijelző
 - A. Hőmérséklet / Idő beállítása
 - B. Hőmérsékletjelző
 - C. Vezérlő zárolása
 - D. WIFI
4. Üzem módjelző
 - A. Komfortos üzemmód
 - B. Gazdaságos üzemmód
 - C. Fagymentesítő üzemmód
5. Csavar
6. Padlóállvány
7. Csavar a falra szereléshez
8. Dűbel
9. Konzol a falra szereléshez

3. KEZELÉS



A használat előtt ellenőrizze a berendezés sérülésmentes állapotát. Kizárólag jó állapotban lévő berendezést használjon.

Amikor első alkalommal használja a fűtőberendezést, enyhe szagra lehet figyelmes, ami a fűtőelemből származik. Ez teljesen normális jelenség, és rövid ideig tartó használatot követően el is tűnik.

A konvektoros fűtőpanel elhelyezése a padlóra (D ábra)

- Szerelje fel a fűtőberendezés alá (1) a padlóállványokat (6) a mellékelt csavarok segítségével (5) (D ábra)
- A fűtőberendezést szilárd, vízszintes felületen helyezze el.
- Legalább 1 méter távolságra állítsa bármilyen gyúlékony anyagtól (bútorzattól, függőnytől stb.). Ne használja nedves környezetben.



Figyelmeztetés! Győződjön meg arról, hogy a fűtőberendezést biztonságos helyre tette és nem lehet sem a berendezésben, sem a kábelben megbotlani. Győződjön meg arról, hogy a berendezés nem tud leesni.

A konvektoros fűtőpanel elhelyezése a falra (E-1, E-2, E-3, F-1, F-2, F-3 ábra)

- Figyelje meg a furatok mintázatát a(z) E-1, E-2, E-3 ábrán. Keresse meg az Ön fűtőberendezésének megfelelő furatmintázatot.
 - CH510AC / CH510AC_GREY / CH510AC_WHITE esetében lásd: E-1
 - CH511AC / CH511AC_GREY / CH511AC_WHITE esetében lásd: E-2
 - CH512AC / CH512AC_GREY / CH512AC_WHITE esetében lásd: E-3
- Szereljen fel két darab fali konzolt (9) a falra, a mellékelt csavarok segítségével (7) (F-1 ábra). Ha beton-/téglafalra szereli, akkor használja a készletben található dűbeleket (8). Tekintse meg a fentiekben említett furatmintázatot, hogy megfelelő távolságra helyezze el egymástól a konzolokat.
- Szereljen fel két darab fali konzolt (9) a fűtőberendezés alá (1), a mellékelt csavarok segítségével (5) (F-2 ábra). A felszerelt konzolok távtartóként fognak működni, hogy a berendezés megfelelő távolságra legyen a faltól.
- Helyezze a konvektoros fűtőpanelt a falra úgy, hogy rácsúsztatja a fali konzolokra (F-3 ábra).

A konvektoros fűtőpanel beindítása (B ábra)

- Dugja be a hálózati aljzatba a kábel.
- Nyomja meg a főkapcsolót (2F) a vezérlőpanelen. Ekkor a vezérlőpanel aktiválódik.
- Az üzemmód gomb (2D) használatával válthat az egyes üzemmódok között. A kiválasztott üzemmódot a vezérlőpanel kijelzői (4A, 4B vagy 4C) mutatják meg. A rendelkezésre álló üzemmódok az alábbiak:

4A Komfortos üzemmód	A fűtés teljes kapacitással működik
4B Gazdaságos üzemmód	A fűtés 50%-os kapacitással működik

4C Fagymentesítő üzemmód A fűtés ki van kapcsolva, kivéve, ha a környezeti hőmérséklet 5 °C alá csökken

A hőmérséklet beállítása (B ábra)

- Alapértelmezetten a környezeti hőmérséklet értéke jelenik meg a kijelzőn. Nyomja meg egyszer a Le vagy Fel gombot, (2A vagy 2B), hogy a megjelenjen a célhőmérséklet. A célhőmérséklet villogni fog.
- Mialatt villog a célhőmérséklet, be lehet állítani a 5 °C és 50 °C közötti tartományban. Ehhez nyomja meg a Le vagy Fel gombot (2A vagy 2B).
- A célhőmérséklet az utolsó gombnyomást követően 5 másodpercig villogni fog, majd visszatér aza alapértelmezett állapotba, a környezeti hőmérsékletet mutatva.
- Vegye figyelembe, hogy a célhőmérséklet nem állítható, amennyiben a fűtőberendezés a fagymentesítő üzemmódban van. Ebben az üzemmódban a célhőmérséklet rögzítetten 5 °C. A célhőmérséklet módosításához az üzemmódot először komfortos vagy gazdaságos üzemmódba kell állítani.

Vezérlőpanel zárolása (B ábra)

A fűtőberendezés beállításainak véletlenszerű vagy engedély nélküli módosítása ellen a vezérlőpanelt le lehet zárolni. A vezérlőpanel zárolásához nyomja meg és tartsa 3 másodpercig lenyomva a Fel gombot (2B). A fűtőberendezés szipolni fog, majd a vezérlőpanel zárolását jelző fény (3C) kigyullad annak jelzésére, hogy a vezérlőpanel zárolva van. A vezérlőpanel feloldásához nyomja meg és tartsa 3 másodpercig lenyomva a Le gombot (2A).

Állandó szobahőmérséklet

A fűtőberendezés automatikusan elindul és kikapcsol, hogy a helyiséget állandó hőmérsékleten tartsa. Ha a helyiség környezeti hője eléri a kívánt célhőmérsékletet, akkor a fűtőelem kikapcsol. Mihelyst a környezeti hőmérséklet csökkenni kezd, a fűtőpanel ismét bekapcsol.

Automata túlmelegedés elleni védelem

A fűtőberendezés belső biztonsági termosztáttal és túlmelegedés ellen védő áramkörrel van ellátva. A potenciális túlmelegedési hőmérséklet elérésekor a rendszer automatikusan kikapcsolja a fűtőberendezést.

A konvektoros fűtőpanel leállítása (B ábra)

Nyomja meg a főkapcsolót (2F) a vezérlőpanelen. A fűtőberendezés készenlét üzemmódba kapcsol. A fűtőelem kikapcsol, a rendszer pedig letiltja a vezérlőpanelt.

A konvektoros fűtőpanel tárolása

Mindig hagyja lehűlni fűtőberendezést, mielőtt megmozdíthatná vagy eltárolná. Győződjön meg arról, hogy a fűtőberendezés a tárolás során nincs csatlakoztatva a hálózati tápellátáshoz.



Figyelmeztetés. Ne tárolja a berendezést nedves környezetben. Tárolás során védje a berendezést a portól.

Hosszabb tárolást követően, a berendezés használatának megkezdése előtt mindig győződjön meg arról, hogy a készülék pormentes.

4. TÁVOLÍ MŰKÖDTETÉS

Az előbbieken említett manuális működtetés mellett a konvektoros fűtőpanel WIFI-hálózatról, okostelefon vagy táblagép használatával távolról is irányítható. Az ehhez szükséges alkalmazás ingyen letölthető és használható.

Az alkalmazás letöltése telefonra vagy táblagépre (G ábra)

- A „Smart Life” alkalmazás letöltéséhez és telepítéséhez telefonjával vagy táblagépével olvassa be a QR-kódot (G ábra).
- Ha nem tudja vagy nem akarja a QR-kódot használni, akkor manuálisan is telepítheti az alkalmazást. Ehhez telefonján vagy táblagépén látogasson el a Google Play áruházba vagy az Apple App áruházba. Keresse meg a „Smart Life” alkalmazást (G ábra)
- Az alkalmazás telepítését követően a belépéshez „Smart Life” fiókot kell nyitnia. Ha még nincs ilyen fiókja, akkor a „Register (Regisztráció)” gombra koppintva ingyenesen létrehozhat egyet.

A konvektoros fűtőpanel párosítása a „Smart Life” alkalmazással (H és I ábra)

- Kapcsolja a fűtőberendezést készenlét üzemmódba, ehhez nyomja meg a főkapcsolót (2F). A fűtőberendezés kijelzője kikapcsol, kizárólag a főkapcsoló gomb fog világítani.

- Nyomja le és tartsa legalább 3 másodpercig lenyomva a WIFI/Fényerő gombot (2C). A WIFI állapotjelzője (3D) villogni kezd.
- A WIFI állapotjelzőjének villogása során nyissa meg a telefonján vagy táblagépen az alkalmazást, majd nyomja meg az „Add a device (Eszköz hozzáadása)” elemet.
- Válassza ki a berendezés típusát, ebben az esetben ez a Small appliances -> Heater (Okosberendezések -> Fűtőberendezés). Igazolja vissza az alkalmazásban, hogy a fűtőberendezés WIFI állapotjelzője villog.
- Ekkor az alkalmazás azt kéri, hogy válassza ki a WIFI-hálózatot és adja meg a hozzá tartozó jelszót. Az alkalmazás elküldi ezt az adatot a fűtőberendezéshez, így a berendezés képes kapcsolódni az Ön WIFI-hálózatához.

A „Smart Life” alkalmazás használata (J ábra)

A „Smart Life” alkalmazáson keresztül számos készüléket vezérelhet. Az egyes berendezések állapota a berendezések listáján jelenik meg.

A konvektoros fűtőpanel esetében az alábbi állapotok lehetségesek:

- Offline (a berendezés nincs áram alatt, vagy nem csatlakozik a WIFI-hálózathoz)
- Kikapcsolt állapot (Rendelkezésre áll a tápellátás és a hálózati csatlakozás is, de a fűtés le van tiltva)
- Bekapcsolt állapot (Rendelkezésre áll a tápellátás és a hálózati csatlakozás is, a fűtés engedélyezve van)

Amikor a fűtőberendezés online van (bekapcsolt vagy kikapcsolt állapotban), a vezérlő felhasználói felület megnyitásához koppintson a berendezés nevére az alkalmazásban.

Megjegyzés: amennyiben a fűtőberendezés offline állapotban van, akkor nem fogja tudni megnyitni a vezérlő felhasználói felületet.

- Az Üzem mód gomb segítségével módosítsa a fűtőberendezés üzemmódját. A rendelkezésre álló üzemmódok az alábbiak:

Komfortos üzemmód	A fűtés teljes kapacitással működik
Gazdaságos üzemmód	A fűtés 50%-os kapacitással működik

- Fagymentesítő üzemmód A fűtés ki van kapcsolva, kivéve, ha a környezeti hőmérséklet 5 °C alá csökken
- A célhőmérséklet beállításához használja a „+” vagy a „-” gombot.

5. KARBANTARTÁS



Tisztítás és karbantartás előtt mindig kapcsolja ki a gépet, és húzza ki a hálózati csatlakozódugót.

Tisztítás



Tisztítás előtt minden esetben hagyja teljesen kihűlni a berendezést.

- Puha rongydarabbal törölje le a burkolatot. Az erősebben szennyezett részeket először nedves ruhával törölje le, majd tiszta, száraz ruhával törölje át, hogy teljesen száraz legyen. Ne engedje, hogy víz jusson a készülék belsejébe
- A fűtőberendezés védelme érdekében ne fröcsköljön vizet a készülékre és ne használjon vegyi oldószereket vagy agresszív tisztítószerket sem.

Tárolás

- Az eltárolás előtt hagyja teljesen lehűlni a készüléket.
- A berendezést száraz, jól szellőző helyen tárolja

KÖRNYEZETVÉDELEM



A hibás vagy feleslegessé vált elektromos, elektronikus készülékeket az ezzel foglalkozó gyűjtőpontokon kell leadni.

Csak EU országokban

Elektromos terméket ne dobjon a háztartási hulladékba. Az elektromos és elektronikai hulladékokra vonatkozó, 2012/19/EU európai irányelv és annak a nemzeti törvénykezésbe történő átültetése értelmében az elhasznált elektromos készülékeket külön kell gyűjteni és környezetbarát módon kell kiselejtezni.

JÓTÁLLÁS

A VONROC termékei a legmagasabb minőségi normák szerint készülnek, és az eredeti vásárlás napjától számított, törvényileg előírt időtartamig garantáljuk, hogy anyag- és gyártási hibáktól mentesen fognak működni. Ha a termékben ezen időszak alatt bármilyen hiba jelentkezik anyag- és/ vagy gyártási hiba miatt, kérjük, forduljon közvetlenül a VONROC-hoz.

A szavatosság nem érvényes a következő körülmények egyikére sem:

- Nem hivatalos szervizközpontok javítást vagy módosítást végeztek (vagy megkíséreltek javítást vagy módosítást végezni) a gépen.
- Normál elhasználódás és kopás.
- A szerszámot erőszakosan vagy nem rendeltetésszerűen használták, vagy a karbantartása nem volt megfelelő.
- Nem eredeti pótalkatrészeket használtak.

A jelen garancia a vállalat által (akár kifejezetten, akár hallgatólagosan) biztosított kizárólagos garancia. Nem léteznek olyan egyéb garanciák (sem kifejezett, sem hallgatólagos garanciák, beleértve az értékesíthetőségre és az adott célra való alkalmasságra vonatkozó hallgatólagos garanciákat is), amelyek a jelen garancia hatókörén túlmutatnak. A VONROC semmilyen esetben sem felelős semmilyen járulékos vagy következményes kárért. A forgalmazók jogorvoslati teendői az előírásoknak nem megfelelő egységek vagy alkatrészek javítására és cseréjére korlátozódik.

A termék és a használati útmutató változtatásának jogát fenntartjuk. A műszaki adatok előzetes bejelentés nélkül változhatnak.

Típusazonosító(k): CH510AC, CH510AC_GREY, CH510AC_WHITE					
Tétel	Szimbólum	Érték	Egység	Tétel	Egység
Hőteljesítmény				Hőteljesítmény típusa, kizárólag elektromos tároló helyiségmelegítők esetében (válasszon ki egyet)	
Névleges hőteljesítmény	Pnom	1,0	kW	manuális hűtőtés-szabályozás, integrált termosztáttal	Nem
Minimális hőteljesítmény (indikatív)	Pmin	0,5	kW	manuális hűtőtés-szabályozás szobai és/ vagy szabadtéri hőmérsékleti visszajelzéssel	Nem
Maximális folyamatos hőteljesítmény	Pmax,c	1,0	kW	elektromos hűtőtés-szabályozás szobai és/ vagy szabadtéri hőmérsékleti visszajelzéssel	Nem
Kiegészítő áramfogyasztás				ventilátoros hőteljesítmény	Nem
Névleges hőteljesítménynél	elmax	nem értelmezhető	kW	A hőteljesítmény/szobai hőfokszabályozó típusa (válasszon ki egyet)	
Minimális hőteljesítménynél	elmin	nem értelmezhető	kW	egylépcsős hőteljesítmény és nincs szobai hőfokszabályozás	Nem
Készletléti üzemmódban	eISB	0,00173	kW	Két vagy több manuális lépcső, nincs szobai hőfokszabályozás	Nem
				mechanikus termosztáttal történő szobai hőfokszabályozással	Nem
				elektromos szobai hőfokszabályozással	Nem
				elektromos szobai hőfokszabályozással és napi időzítővel	Nem
				elektromos szobai hőfokszabályozással és heti időzítővel	Igen
				Egyéb vezérlési műveletek (több választás is lehetséges)	
				szobai hőfokszabályozás jelenlét-érzékeléssel	Nem
				szobai hőfokszabályozás nyitottablak-érzékeléssel	Igen
				távoli vezérlési opció	Igen
				adaptív indítási opció	Nem
				üzemidő korlátozási opció	Igen
				feketegömb-érzékelővel	Nem
Kapcsolat	VONROC • Lingenstraat 6 • 8028 PM • Zwolle • The Netherlands				

Típusazonosító(k): CH511AC, CH511AC_GREY, CH511AC_WHITE					
Tétel	Szimbólum	Érték	Egység	Tétel	Egység
Hőteljesítmény				Hőteljesítmény típusa, kizárólag elektromos tároló helyiségmelegítőik esetében (válasszon ki egyet)	
Névleges hőteljesítmény	Pnom	1,5	kW	manuális hűtőtés-szabályozás, integrált termosztáttal	Nem
Minimális hőteljesítmény (indikatív)	Pmin	0,75	kW	manuális hűtőtés-szabályozás szobai és/vagy szabadtéri hőmérsékleti visszajelzéssel	Nem
Maximális folyamatos hőteljesítmény	Pmax,c	1,5	kW	elektromos hűtőtés-szabályozás szobai és/vagy szabadtéri hőmérsékleti visszajelzéssel	Nem
Kiegészítő áramfogyasztás				ventilátoros hőteljesítmény	Nem
Névleges hőteljesítménynél	elmax	nem értelmezhető	kW	A hőteljesítmény/szobai hőfokszabályozó típusa (válasszon ki egyet)	
Minimális hőteljesítménynél	elmin	nem értelmezhető	kW	egylépcsős hőteljesítmény és nincs szobai hőfokszabályozás	Nem
Készletléti üzemmódban	eISB	0,00173	kW	Két vagy több manuális lépcső, nincs szobai hőfokszabályozás	Nem
				mechanikus termosztáttal történő szobai hőfokszabályozással	Nem
				elektromos szobai hőfokszabályozással	Nem
				elektromos szobai hőfokszabályozással és napi időzítővel	Nem
				elektromos szobai hőfokszabályozással és heti időzítővel	Igen
				Egyéb vezérlési műveletek (több választás is lehetséges)	
				szobai hőfokszabályozás jelenlét-érzékeléssel	Nem
				szobai hőfokszabályozás nyitottablak-érzékeléssel	Igen
				távoli vezérlési opció	Igen
				adaptív indítási opció	Nem
				üzemidő korlátozási opció	Igen
				feketegömb-érzékelővel	Nem
Kapcsolat	VONROC • Lingenstraat 6 • 8028 PM • Zwolle • The Netherlands				

Típusazonosító(k): CH512AC, CH512AC_GREY, CH512AC_WHITE					
Tétel	Szimbólum	Érték	Egység	Tétel	Egység
Hőteljesítmény				Hőteljesítmény típusa, kizárólag elektromos tároló helyiségmelegítőik esetében (válasszon ki egyet)	
Névleges hőteljesítmény	Pnom	2,0	kW	manuális hűtőtés-szabályozás, integrált termosztáttal	Nem
Minimális hőteljesítmény (indikatív)	Pmin	1,0	kW	manuális hűtőtés-szabályozás szobai és/ vagy szabadtéri hőmérsékleti visszajelzéssel	Nem
Maximális folyamatos hőteljesítmény	Pmax,c	2,0	kW	elektromos hűtőtés-szabályozás szobai és/ vagy szabadtéri hőmérsékleti visszajelzéssel	Nem
Kiegészítő áramfogyasztás				ventilátoros hőteljesítmény	Nem
Névleges hőteljesítménynél	elmax	nem értelmezhető	kW	A hőteljesítmény/szobai hőfokszabályozó típusa (válasszon ki egyet)	
Minimális hőteljesítménynél	elmin	nem értelmezhető	kW	egylépcsős hőteljesítmény és nincs szobai hőfokszabályozás	Nem
Készenléti üzemmódban	eISB	0,00173	kW	Két vagy több manuális lépcső, nincs szobai hőfokszabályozás	Nem
				mechanikus termosztáttal történő szobai hőfokszabályozással	Nem
				elektromos szobai hőfokszabályozással	Nem
				elektromos szobai hőfokszabályozással és napi időzítővel	Nem
				elektromos szobai hőfokszabályozással és heti időzítővel	Igen
				Egyéb vezérlési műveletek (több választás is lehetséges)	
				szobai hőfokszabályozás jelenlét-érzékeléssel	Nem
				szobai hőfokszabályozás nyitottablak-érzékeléssel	Igen
				távoli vezérlési opció	Igen
				adaptív indítási opció	Nem
				üzemidő korlátozási opció	Igen
				feketegömb-érzékelővel	Nem
Kapcsolat	VONROC • Lingenstraat 6 • 8028 PM • Zwolle • The Netherlands				

1. BEZPEČNOSTNÍ POKYNY

Přečtěte si přiložené bezpečnostní výstrahy, dodatečné bezpečnostní výstrahy a bezpečnostní pokyny. Nebudete-li dodržovat tyto bezpečnostní výstrahy a pokyny, může dojít k úrazu elektrickým proudem, k vzniku požáru nebo k vážného zranění. Uschovejte tyto bezpečnostní výstrahy a pokyny pro budoucí použití.

V této uživatelské příručce a na tomto výrobku jsou použity následující symboly:



Přečtěte si uživatelskou příručku.



Upozorňuje na riziko zranění osob, ztráty života nebo poškození zařízení, nebudou-li dodržovány pokyny uvedené v tomto návodu.



Znamená nebezpečí úrazu elektrickým proudem.



Důležité! VAROVÁNÍ: Abyste předešli přehřátí ohřívače vzduchu, nezakrývejte jej.



Nelikvidujte tento výrobek do nevhodného kontajneru.



Tento výrobek je vyroben v souladu s platnými bezpečnostními normami, které jsou uvedeny ve směrnících EU.

OBCENÉ BEZPEČNOSTNÍ VÝSTRAHY

Tento spotřebič mohou používat děti starší 8 let a osoby se sníženými fyzickými, smyslovými nebo mentálními schopnostmi nebo nedostatkem zkušeností a znalostí, pokud jsou pod dohledem nebo byly poučeny o bezpečném používání spotřebiče a porozuměly souvisejícím rizikům. Děti si s tímto zařízením nesmí hrát. Čištění a údržbu nesmí provádět děti bez dozoru.

Děti mladší 3 let se nesmí k zařízení přibližovat, pokud nejsou pod neustálým dohledem. Děti ve věku od 3 let do 8 let smí zapínat/vypínat spotřebič pouze za předpokladu, že byl umístěn nebo nainstalován v určené normální provozní poloze a že jsou pod dohledem nebo byly poučeny o bezpečném používání spotřebiče a chápou související nebezpečí. Děti ve věku od 3 let do 8 let

nesmí spotřebič zapojovat, regulovat ani čistit, ani provádět uživatelskou údržbu.



UPOZORNĚNÍ – některé části tohoto zařízení mohou být velmi horké a mohou způsobit zranění. Zvláště opatrně byste si měli počínat v přítomnosti dětí a zranitelných osob.

DOPLŇKOVÁ BEZPEČNOSTNÍ VAROVÁNÍ PRO TOPNÝ PANELOVÝ KONVEKTOR

- Děti se nesmí nacházet v blízkosti zařízení, pokud nejsou pod trvalým dozorem, aby bylo zajištěno, že si se zařízením nebudou hrát.
- Děti nesmí zapojovat, umísťovat, ovládat, nastavovat a čistit zařízení nebo provádět uživatelskou údržbu.
- UPOZORNĚNÍ – některé části tohoto zařízení mohou být velmi horké a mohou způsobit poranění. Zvláště opatrně byste si měli počínat v přítomnosti dětí a osob s postižením.
- Zařízení není vhodné pro použití venku, v koupelnách nebo v jiném mokřem nebo vlhkém prostředí.
- Vezměte prosím na vědomí, že zařízení se může velmi zahřát, a proto by mělo být umístěno v bezpečné vzdálenosti od hořlavých předmětů, jako jsou nábytek, záclony apod.
- Zařízení nezakrývejte.
- Zařízení nesmí být umístěno přímo pod elektrickou zásuvkou
- Nepřipojujte zařízení pomocí časovače zapnutí/vypnutí nebo jiného externího přístroje, který umožňuje automatické zapnutí zařízení.
- Zařízení nesmí být umístěno/provozováno v místnostech, kde jsou hořlavé kapaliny či plyny.
- Pokud se používá prodlužovací kabel, musí být co nejkratší a vždy plně rozvinutý.
- Do stejné elektrické zásuvky, ve které je připojeno toto zařízení, nesmíte připojovat žádné jiné spotřebiče
- Zařízení nepoužívejte v bezprostřední blízkosti vany, sprchy nebo bazénu.
- Dojde-li k poškození napájecího kabelu, musí být vyměněn výrobcem, jeho autorizovaným servisem nebo osobou s příslušnou kvalifikací, aby bylo zabráněno možným rizikům.
- Ujistěte se, že je zařízení umístěno mimo dosah dětí a zvířat, a zajistěte, aby bylo vždy pod dozorem.

- Zařízení neumísťujte na pohybující se vozidla ani do míst, kde by o něj bylo možné snadno zakopnout. Rovněž jej na těchto místech nepoužívejte.
- Pokud nebudete zařízení delší dobu používat, odpojte jej od elektrické zásuvky. Tahejte za zástrčku. Nikdy neodpojujte zástrčku taháním za kabel.
- Udržujte zařízení v dostatečné vzdálenosti od zácilon nebo míst, kde by mohl být přívod vzduchu snadno blokován.
- Abyste zabránili možnému úrazu elektrickým proudem nebo vzniku svodového proudu, nikdy neovládejte zařízení mokřými rukama ani jej nepoužívejte, pokud je na napájecím kabelu voda.
- Nelikvidujte elektrické spotřebiče jako netříděný komunální odpad, ale využijte sběrné dvory. Informace o dostupných systémech sběru odpadu vám sdělí místní úřady. Pokud jsou elektrické spotřebiče likvidovány na skládkách, mohou nebezpečné látky proniknout do podzemních vod a dostat se do potravinového řetězce, což může vést k poškození vašeho zdraví a zhoršení kvality života.
- Toto zařízení nesmí používat osoby s omezeními fyzickými, smyslovými nebo duševními schopnostmi (včetně dětí), nebo osoby s nedostatkem zkušeností a znalostí, pokud nejsou pod dozorem nebo nebyly poučeny o správném používání zařízení osobou odpovědnou za jejich bezpečnost.

Elektrická bezpečnost

Používáte-li elektrická zařízení, vždy dodržujte platné bezpečnostní předpisy, aby bylo omezeno riziko způsobení požáru, úrazu elektrickým proudem nebo zranění osob. Přečtěte si následující bezpečnostní pokyny i přiložené bezpečnostní pokyny. Vždy zkontrolujte, zda se napájecí napětí sítě shoduje s napájecím napětím na výkonovém štítku.

Musíte-li používat toto elektrické nářadí ve vlhkém prostředí, používejte v elektrickém obvodu proudový chránič (RCD). Použití proudového chrániče (RCD) snižuje riziko úrazu elektrickým proudem.

2. INFORMACE O ZAŘÍZENÍ

Určené použití

Skleněný topný panelový konvektor je určen pouze pro použití ve vnitřních prostorách. Stroj musí být umístěn na stabilním povrchu nebo spolehlivě upevněn na stěně pomocí přiložených držáků. Stroj lze ovládat manuálními ovládacími prvky na čelním panelu nebo jej lze ovládat dálkově prostřednictvím WiFi sítě. Topidlo je vybaveno termostatem a bezpečnostními funkcemi, jako například ochranou proti převrácení a ochranou proti přehřátí.

TECHNICKÉ ÚDAJE

Model č.	CH510AC CH510AC_GREY CH510AC_WHITE
Elektrické napájení	230V~ / 50/60Hz
Jmenovitý výkon	1000 W
Nastavení topidla	500 W/1000 W
Rozsah termostatu	5°C - 50°C
Stupeň krytí IP	IP24
Frekvence WiFi	2,4 GHz

Model č.	CH511AC CH511AC_GREY CH511AC_WHITE
Elektrické napájení	230V~ / 50/60Hz
Jmenovitý výkon	1500 W
Nastavení topidla	750 W/1500 W
Rozsah termostatu	5°C - 50°C
Stupeň krytí IP	IP24
Frekvence WiFi	2,4 GHz

Model č.	CH512AC CH512AC_GREY CH512AC_WHITE
Elektrické napájení	230V~ / 50/60Hz
Jmenovitý výkon	2000 W
Nastavení topidla	1000W/2000W
Rozsah termostatu	5°C - 50°C
Stupeň krytí IP	IP24
Frekvence WiFi	2,4 GHz

POPIS

Čísla v následujícím textu odkazují na čísla použité v obrázcích A1, A2, A3, B, C na stranách 2-3.

1. Skleněný topný panelový konvektor
2. Ovládací tlačítka
 - A. Dolů
 - B. Nahoru
 - C. WiFi / jas
 - D. Režim
 - E. Časovač
 - F. Zapnutí/vypnutí
3. Displej stavu
 - A. Teplota / nastavení časovače
 - B. Indikátor teploty
 - C. Zámek ovládání
 - D. WiFi
4. Indikátory provozního režimu
 - A. Režim Comfort
 - B. Režim Eco
 - C. Režim proti zamrznutí
5. Šroub
6. Podlahový stojan
7. Upevňovací šroub na stěnu
8. Hmoždinka
9. Upevňovací držák na stěnu

3. POUŽITÍ

Před použitím zkontrolujte, zda není zařízení poškozeno a použijte pouze zařízení v dobrém stavu.

Při prvním použití ohřívače vzduchu můžete cítit mírný zápach vycházející z topného tělesa. Tento jev je úplně normální a měl by to zmizet po určité době provozu topidla.

Umístění topného panelového konvektoru na podlahu (obr. D)

- Nainstalujte podlahové stojany (6) na spodní stranu topidla (1) pomocí dodaných šroubů (5) (obr. D)
- Postavte topidlo na pevný rovný povrch.
- Dodržujte vzdálenost min. 1 m od hořlavých materiálů (nábytek, záclony atd.). Chraňte ohřívač vzduchu před vlhkem.



Varování! Dbejte na to, abyste topidlo postavili na bezpečné místo, kde o něj nebo o kabel nebude možné snadno zakopnout.

Rovněž umístěte topidlo na místo, ze kterého nebude moci spadnout.

Montáž topného panelového konvektoru na stěnu (obr. E-1, E-2, E-3, F-1, F-2, F-3)

- Věnujte pozornost schémátům otvorů na obr. E-1, E-2, E-3. Vyhledejte schéma otvorů odpovídající vašemu topidlu.
 - Pro CH510AC / CH510AC_GREY / CH510AC_WHITE viz obr. E-1
 - Pro CH511AC / CH511AC_GREY / CH511AC_WHITE viz obr. E-2
 - Pro CH512AC / CH512AC_GREY / CH512AC_WHITE viz obr. E-3
- Na stěnu nainstalujte dva upevňovací držáky na stěnu (9) pomocí přiložených šroubů (7) (obr. F-1). Při instalaci na betonovou/cihlovou stěnu použijte přiložené hmoždinky (8). Viz předtím zmíněné schéma otvorů, aby se vytvořila správná rozteč mezi držáky.
- Nainstalujte dva upevňovací držáky (9) na spodní stranu topidla (1) pomocí přiložených šroubů (5) (obr. F-2). Nainstalované držáky budou fungovat jako distanční díly zajišťující správný odstup topidla od stěny.
- Namontujte topný panelový konvektor na stěnu nasazením na držáky na stěnu (obr. F-3).

Zapnutí topného panelového konvektoru (obr. B)

- Připojte kabel do elektrické zásuvky.
- Stiskněte tlačítko On/Off (2F) na ovládacím panelu. Ovládací panel bude teď deaktivovaný.
- Tlačítko Mode (2D) použijte k přepínání provozních režimů. Zvolený provozní režim je zobrazen prostřednictvím indikátorů 4A, 4B nebo 4C na ovládacím panelu. K dispozici jsou režimy:

4A Režim Comfort	Topení na plný výkon
4B Režim Eco	Topení na 50 % výkonu
4C Režim proti zamrznutí	Topení je vypnuté při teplotě okolí vyšší než 5 °C

Nastavení teploty (obr. B)

- Defaultně je teplota okolí zobrazena na displeji. Stiskněte tlačítko nahoru nebo dolů (2A nebo 2B) pro zobrazení cílové teploty. Cílová teplota bude blikat.
- Když cílová teplota bliká, lze ji nastavit mezi 5 °C a 50 °C stisknutím tlačítek nahoru nebo dolů (2A nebo 2B).

- Cílová teplota bude blikat 5 sekund po posledním stisknutí tlačítka a potom se displej vrátí k defaultnímu stavu se zobrazením teploty okolí.
- Upozorňujeme, že cílovou teplotu nelze nastavovat, když je topidlo v režimu proti zamrznutí. V tomto provozním režimu je cílová teplota pevně nastavená na 5 °C. Před nastavováním teploty je nutné provozní režim nejprve změnit na Comfort nebo Eco.

Zámek ovládacího panelu (obr. B)

Ovládací panel lze zamknout, aby se předešlo náhodnému nebo neautorizovanému nastavení topidla. Pro zamknutí ovládacího panelu stiskněte tlačítko nahoru (2B) na 3 sekundy. Topidlo pípne a rozsvítí se indikátor zámku ovládání (3C), který signalizuje zamknutí ovládacího panelu. Pro zrušení zámku ovládacího panelu stiskněte tlačítko dolů (2A) na 3 sekundy.

Stálá teplota v místnosti

Ohřívač vzduchu se bude automaticky zapínat a vypínat, a bude udržovat stálou teplotu v místnosti. Když teplota okolí v místnosti dosáhne požadované cílové teploty, topné těleso se vypne. Když teplota okolí začne klesat, topné těleso se znovu zapne.

Automatická ochrana proti přehřátí

Tento ohřívač vzduchu je vybaven vnitřním bezpečnostním termostatem zabráňujícím přehřátí a ochranným obvodem proti přehřátí. Pokud je dosaženo potenciální teploty přehřátí, systém automaticky vypne ohřívač vzduchu.

Vypnutí topného panelového konvektoru (Obr. B)

Stiskněte tlačítko On/Off (2F) na ovládacím panelu. Topidlo se přepne do pohotovostního režimu. Topné těleso se vypne a ovládací panel se deaktivuje.

Skladování topného panelového konvektoru

Před přemístěním nebo uskladněním topidlo vždy nechejte zcela vychladnout. Při skladování dbejte na to, aby bylo topidlo odpojené ze zásuvky.



Varování. Stroj neskladujte ve vlhkém prostředí. Při skladování stroj chráňte před prachem.

Po dlouhodobém skladování před opětovným použitím topidla vždy zkontrolujte čistotu topného tělesa a absenci prachu.

4. DÁLKOVÉ OVLÁDÁNÍ

Kromě předtím uvedeného manuálního ovládání lze topný panelový konvektor také ovládat dálkově přes WiFi síť pomocí smartphonu nebo tabletu. Požadovanou aplikaci lze zdarma stáhnout a používat.

Stažení aplikace do telefonu nebo tabletu (obr. G)

- Naskenujte QR kód (obr. G) do telefonu nebo tabletu a nainstalujte aplikaci "Smart Life".
- Pokud nemůžete nebo nechcete použít QR kód, můžete také aplikaci nainstalovat manuálně. Za tím účelem navštivte Google Play Store nebo Apple App Store na vašem telefonu nebo tabletu. Vyhledání aplikace "Smart Life" (obr. G)
- Po nainstalování aplikace budete k přihlášení potřebovat účet "Smart Life". Pokud účet ještě nemáte, můžete si jej vytvořit (zdarma) klepnutím na tlačítko "Register" v aplikaci.

Párování vašeho topného panelového konvektoru s aplikací "Smart Life" (obr. H, I)

- Uveďte topidlo do pohotovostního režimu stisknutím tlačítka On/Off (2F). Displej topidla e vypne a zůstane rozsvícené jen tlačítko On/Off.
- Stiskněte a podržte tlačítko WiFi/jas (2C) nejméně na 3 sekundy. Indikátor stavu WiFi (3D) začne blikat.
- Při blikajícím indikátoru stavu WiFi otevřete aplikaci na telefonu nebo tabletu a stiskněte Přidat zařízení.
- Zvolte typ zařízení, v tomto případě Malá zařízení -> Topidlo. V aplikaci potvrďte, že indikátor stavu WiFi na topidle bliká.
- Budete aplikací vyzváni k volbě WiFi sítě a zadání hesla WiFi. Aplikace odešle tyto detaily do topidla a umožní topidlu vytvoření spojení s vaší WiFi sítí.

Použití aplikace "Smart Life" (obr. J)

Aplikace "Smart Life" se může používat k ovládání mnoha různých zařízení. Stav každého zařízení je zobrazen v seznamu zařízení. U topného panelového konvektoru jsou možné následující stavy:

- Offline (zařízení není napájené nebo není připojené k WiFi síti)
- Vypnuto (Napájení a připojení k síti je k dispozici, topení je aktuálně deaktivované)
- Zapnuto (Napájení a připojení k síti je k dispozici, topení je aktivované)

Když je topidlo online (Vypnuto nebo Zapnuto), klepněte na název zařízení v aplikaci pro otevření ovládacího rozhraní.

Poznámka: když je topidlo offline, nebudete moci otevřít ovládací rozhraní.

- Použijte tlačítko Mode ke změně provozního režimu topidla. K dispozici jsou režimy:

Režim Comfort	Topení na plný výkon
Režim Eco	Topení na 50 % výkonu
Režim proti zamrznutí	Topení je vypnuté při teplotě okolí vyšší než 5 °C
- Použijte tlačítka '+' a '-' k nastavení cílové teploty.

5. ÚDRŽBA



Před čištěním a prováděním údržby nářadí vždy vypněte a vypojte zástrčku napájecího kabelu ze síťové zásuvky.

Čištění



Před čištěním nechejte zařízení zcela vychladnout.

- Otřete opláštění jemným hadříkem. Velmi znečištěné části otřete vlhkou tkaninou a následně je otřete do sucha čistým suchým hadříkem. Dbejte na to, aby se voda nedostala do zařízení.
- Za účelem ochrany na topidlo nestříkejte vodu a nikdy nepoužívejte chemická rozpouštědla nebo agresivní čisticí přípravky.

Skladování

- Před uskladněním nechte topidlo vždy úplně vychladnout.
- Topidlo skladujte na suchém a dobře větraném místě

OCHRANA ŽIVOTNÍHO PROSTŘEDÍ



Poškozená a likvidovaná elektrická nebo elektronická zařízení musí být odevzdána ve sběrných dvorech, které jsou určeny pro tento účel.

Pouze pro země EU

Nevyhazujte elektrická nářadí do běžného domácího odpadu. Podle evropské směrnice 2012/19/EU týkající se likvidace elektrických a elektronických zařízení a její implementace do vnitrostátního práva, musí být nepoužívaná elektrická nářadí shromažďována odděleně a jejich likvidace musí být provedena tak, aby nedošlo k ohrožení životního prostředí.

ZÁRUKA

Výrobky VONROC jsou vyvíjeny v souladu s požadavky norem na nejvyšší kvalitu a je zaručeno, že po dobu platné záruky, která začíná běžet dnem původního nákupu, nebudou na těchto výrobcích žádné vady materiálu, ani vady způsobené špatným dílenským zpracováním. Dojde-li během tohoto období k závadě v důsledku vady materiálu nebo dílenského zpracování, kontaktujte přímo firmu VONROC.

Z této záruky jsou vyloučeny následující případy:

- Opravy nebo úpravy tohoto zařízení byly provedeny nebo byly provedeny pokusy o jejich provedení v neautorizovaných servisech;
- Běžné opotřebování.
- Toto zařízení bylo nesprávně použito, nevhodně použito nebo nebyla prováděna jeho správná údržba;
- Byly použity neoriginální náhradní díly.

Výše uvedené představuje jedinou záruku poskytovanou společností, ať už výslovnou nebo předpokládanou. Neexistují žádné další záruky, výslovné ani nebo předpokládané, které přesahují rámec zde uvedeného, včetně předpokládaných záruk prodejnosti a vhodnosti pro určitý účel. VONROC v žádném případě neodpovídá za jakékoliv náhodné nebo následné škody. Opravné prostředky prodejců se omezují výhradně na opravu nebo výměnu nevhovujících jednotek nebo dílů.

Na tomto výrobku a v tomto návodu mohou být prováděny změny. Technické údaje mohou být změněny bez předchozího upozornění.

Identifikátory modelu: CH510AC, CH510AC_GREY, CH510AC_WHITE					
Položka	Symbol	Hodnota	Jednotka	Položka	Jednotka
Tepelný výkon				Typ tepelného příkonu, pouze pro elektrické lokální ohřivače (zvolte jeden)	
Jmenovitý topný výkon	Pnom	1,0	kW	ruční regulace topení, s integrovaným termostatem	Ne
Minimální topný výkon (přibližný)	Pmin	0,5	kW	ruční regulace topení se zpětnou vazbou na pokojovou a/nebo venkovní teplotu	Ne
Maximální nepřetržitý topný výkon	Pmax,c	1,0	kW	elektronická regulace topení se zpětnou vazbou na pokojovou a/nebo venkovní teplotu	Ne
Spotřeba elektrické energie				topný výkon s podporou ventilátoru	Ne
Při jmenovitém topném výkonu	elmax	-	kW	Typ regulace tepelného výkonu / pokojové teploty (zvolte jeden)	
Při minimálním topném výkonu	elmin	-	kW	jednostupňová regulace topného výkonu a žádná regulace pokojové teploty	Ne
V pohotovostním režimu	eISB	0,00173	kW	Dvou nebo více stupňové ovládání, bez regulace pokojové teploty	Ne
				s mechanickým termostatem pro regulaci pokojové teploty	Ne
				s elektronickou regulací pokojové teploty	Ne
				elektronická regulace pokojové teploty plus denní časový spínač	Ne
				elektronická regulace pokojové teploty plus týdenní časový spínač	Ano
				Další možnosti regulace (lze volit více možností)	
				regulace pokojové teploty, s detekcí přítomnosti osob	Ne
				regulace pokojové teploty, s detekcí otevřených oken	Ano
				s volbou dálkového ovládání	Ano
				s adaptivním ovládáním spuštění	Ne
				s omezením pracovní doby	Ano
				s černým čidlem	Ne
Kontakty	VONROC • Lingenstraat 6 • 8028 PM • Zwolle • Nizozemí				

Identifikátory modelu: CH511AC, CH511AC_GREY, CH511AC_WHITE					
Položka	Symbol	Hodnota	Jednotka	Položka	Jednotka
Teplný výkon				Typ tepelného příkonu, pouze pro elektrické lokální ohřivače (zvolte jeden)	
Jmenovitý topný výkon	Pnom	1,5	kW	ruční regulace topení, s integrovaným termostatem	Ne
Minimální topný výkon (přibližný)	Pmin	0,75	kW	ruční regulace topení se zpětnou vazbou na pokojovou a/nebo venkovní teplotu	Ne
Maximální nepřetržitý topný výkon	Pmax,c	1,5	kW	elektronická regulace topení se zpětnou vazbou na pokojovou a/nebo venkovní teplotu	Ne
Spotřeba elektrické energie				topný výkon s podporou ventilátoru	Ne
Při jmenovitém topném výkonu	elmax	-	kW	Typ regulace tepelného výkonu / pokojové teploty (zvolte jeden)	
Při minimálním topném výkonu	elmin	-	kW	jednostupňová regulace topného výkonu a žádná regulace pokojové teploty	Ne
V pohotovostním režimu	elSB	0,00173	kW	Dvou nebo víceúrovňové ovládání, bez regulace pokojové teploty	Ne
				s mechanickým termostatem pro regulaci pokojové teploty	Ne
				s elektronickou regulací pokojové teploty	Ne
				elektronická regulace pokojové teploty plus denní časový spínač	Ne
				elektronická regulace pokojové teploty plus týdenní časový spínač	Ano
				Další možnosti regulace (Ize volit více možností)	
				regulace pokojové teploty, s detekcí přítomnosti osob	Ne
				regulace pokojové teploty, s detekcí otevřených oken	Ano
				s volbou dálkového ovládání	Ano
				s adaptivním ovládáním spuštění	Ne
				s omezením pracovní doby	Ano
				s černým čidlem	Ne
Kontakty	VONROC • Lingenstraat 6 • 8028 PM • Zwolle • Nizozemí				

Identifikátory modelu: CH512AC, CH512AC_GREY, CH512AC_WHITE					
Položka	Symbol	Hodnota	Jednotka	Položka	Jednotka
Tepelný výkon				Typ tepelného příkonu, pouze pro elektrické lokální ohřivače (zvolte jeden)	
Jmenovitý topný výkon	Pnom	2,0	kW	ruční regulace topení, s integrovaným termostatem	Ne
Minimální topný výkon (přibližný)	Pmin	1,0	kW	ruční regulace topení se zpětnou vazbou na pokojovou a/nebo venkovní teplotu	Ne
Maximální nepřetržitý topný výkon	Pmax,c	2,0	kW	elektronická regulace topení se zpětnou vazbou na pokojovou a/nebo venkovní teplotu	Ne
Spotřeba elektrické energie				topný výkon s podporou ventilátoru	
Při jmenovitém topném výkonu	elmax	-	kW	Typ regulace tepelného výkonu / pokojové teploty (zvolte jeden)	
Při minimálním topném výkonu	elmin	-	kW	jednostupňová regulace topného výkonu a žádná regulace pokojové teploty	Ne
V pohotovostním režimu	eISB	0,00173	kW	Dvou nebo více stupňové ovládání, bez regulace pokojové teploty	Ne
				s mechanickým termostatem pro regulaci pokojové teploty	Ne
				s elektronickou regulací pokojové teploty	Ne
				elektronická regulace pokojové teploty plus denní časový spínač	Ne
				elektronická regulace pokojové teploty plus týdenní časový spínač	Ano
Další možnosti regulace (lze volit více možností)					
				regulace pokojové teploty, s detekcí přítomnosti osob	Ne
				regulace pokojové teploty, s detekcí otevřených oken	Ano
				s volbou dálkového ovládání	Ano
				s adaptivním ovládním spuštění	Ne
				s omezením pracovní doby	Ano
				s černým čidlem	Ne
Kontakty VONROC • Lingenstraat 6 • 8028 PM • Zwolle • Nizozemí					



DECLARATION OF CONFORMITY
CH510AC, CH510AC_GREY, CH510AC_WHITE
CH511AC, CH511AC_GREY, CH511AC_WHITE
CH512AC, CH512AC_GREY, CH512AC_WHITE

- (EN) We declare under our sole responsibility that this product is in conformity with directive 2011/65/EU of the European parliament and of the council of 8 June on the restriction of the use of certain hazardous substances in electrical and electronic equipment is in conformity and accordance with the following standards and regulations:
- (DE) Der Hersteller erklärt eigenverantwortlich, dass dieses Produkt der Direktive 2011/65/EU des Europäischen Parlaments und des Rats vom 8. Juni 2011 über die Einschränkung der Anwendung von bestimmten gefährlichen Stoffen in elektrischen und elektronischen Geräten entspricht und den folgenden Standards und Vorschriften entspricht:
- (NL) We declare under our sole responsibility that this product is in conformity with directive 2011/65/EU of the European parliament and of the council of 8 June on the restriction of the use of certain hazardous substances in electrical and electronic equipment is in conformity and accordance with the following standards and regulations:
- (FR) Nous déclarons, sous notre propre responsabilité, que ce produit est conforme à la Directive 2011/65/UE du Parlement et du Conseil Européens du 8 Juin relative à la limitation de l'utilisation de certaines substances dangereuses dans les équipements électriques et électroniques et qu'il est conforme aux normes et règlements suivants :
- (ES) Declaramos bajo nuestra exclusiva responsabilidad que este producto es conforme a la Directiva 2011/65/UE del Parlamento Europeo y del Consejo, de 8 de junio, sobre restricciones a la utilización de determinadas sustancias peligrosas en aparatos eléctricos y electrónicos, y que cumple y se ajusta a las siguientes normas y directivas:
- (IT) VONROC dichiara, sotto la sua sola responsabilità, che questo prodotto è conforme alla Direttiva 2011/65/UE del Parlamento europeo e del Consiglio dell'8 giugno, relativa alla limitazione d'uso di determinate sostanze pericolose e apparecchiature elettriche ed elettroniche, ed è conforme alle norme e ai regolamenti seguenti:
- (SV) Vi försäkrar under vårt eget ansvar att denna produkt överensstämmer med Europaparlamentets och rådets direktiv 2011/65/EU av den 8 juni om begränsning av användningen av vissa farliga ämnen i elektrisk och elektronisk utrustning och är i överensstämmelse och enlighet med följande standarder och föreskrifter:
- (FI) Vakuutamme omalla vastuullamme, että tämä tuote on tiettyjen vaarallisten aineiden käyttöön rajoittamisesta sähkö- ja elektroniikkalaitteissa 8. kesäkuuta annetun Euroopan parlamentin ja neuvoston direktiivin 2011/65/EU mukainen. Se täyttää seuraavien standardien ja määräysten vaatimukset:
- (NO) Vi erklærer under vårt eget fulle ansvar at dette produktet er i samsvar med direktiv 2011/65/EU fra det europeiske parlamentet og rådet av 8. juni om begrensning av bruken av visse farlige stoffer i elektrisk og elektronisk utstyr, og at det er i samsvar og overensstemmelse med følgende standarder og forskrifter:
- (DA) Vi erklærer under eget ansvar, at dette produkt er i overensstemmelse med Europa-Parlamentets og Rådets direktiv 2011/65/EU af 8. juni om begrænsning af bruget af visse farlige stoffer i elektrisk og elektronisk udstyr og overholder og er i overensstemmelse med følgende standarder og regler:
- (PL) Oświadczamy na własną i wyłączną odpowiedzialność, że ten produkt jest zgodny z dyrektywą 2011/65/UE Parlamentu Europejskiego i Rady z dnia 8 czerwca 2011 r. w sprawie ograniczenia stosowania niektórych niebezpiecznych substancji w sprzęcie elektrycznym i elektronicznym oraz następującymi normami i przepisami:
- (RO) Declaram sub responsabilitatea exclusivă că acest produs este în conformitate cu Directiva 2011/65/UE a Parlamentului și a Consiliului European din 8 iunie privind restricționarea utilizării anumitor substanțe periculoase în echipamentele electrice și electronice și în conformitate cu următoarele standarde și reglementări:
- (PT) Declaramos, sob nossa exclusiva responsabilidade, que este produto está em conformidade com a directiva 2011/65/UE do Parlamento Europeu e com a do conselho de 8 de Junho sobre a restrição da utilização de determinadas substâncias perigosas em equipamento eléctrico e electrónico está em conformidade e de acordo com as seguintes normas e regulamentações:
- (HU) Kizárólagos felelősségünk tudatában kijelentjük, hogy ez a termék megfelel az Európai Parlamentnek és a Tanácsnak az egyes veszélyes anyagok elektromos és elektronikus berendezésekben való alkalmazásának korlátozásáról szóló 2011/65/EU irányelvének (2011. június 8.), valamint a következő szabványoknak és jogszabályoknak:
- (CS) Prohlašujeme na svou výhradní odpovědnost, že tento výrobek splňuje požadavky směrnice 2011/65/EU Evropské rady a parlamentu ze dne 8. června, která se týká omezení používání určitých nebezpečných látek v elektrických a elektronických zařízeních, a splňuje také všechny požadavky následujících norem a předpisů:

EN 60335-1, EN 60335-2-30, EN 62233, 2014/35/EU, EN 55014-1, EN 55014-2, EN 61000-3-2, EN 61000-3-3, 2011/65/EU, 2015/1188/EU, EN 62311, EN 62233, EN 300 328 V2.1.1, EN 301 489-1 V2.2.3, DRAFT EN 301 489-17 V3.2.2, 2012/19/EU

Zwolle, 01-06-2022

H.G.F Rosberg
CEO

VONROC • Lingenstraat 6 • 8028 PM Zwolle • The Netherlands



VONROC®
BUILD YOUR FUTURE

©2022 VONROC
WWW.VONROC.COM

2206-02