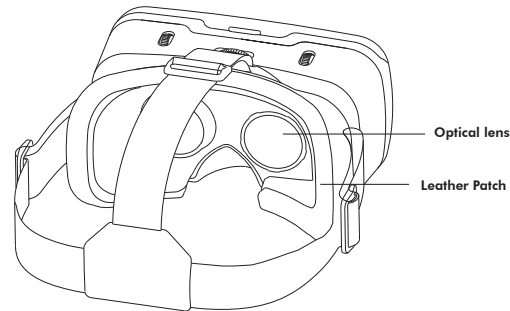
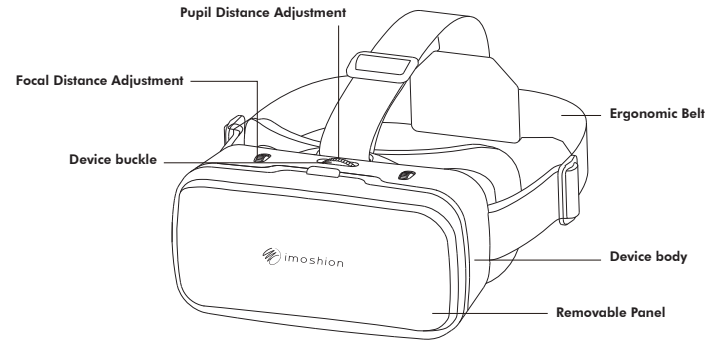




# Virtual Reality Headset

USER'S MANUAL

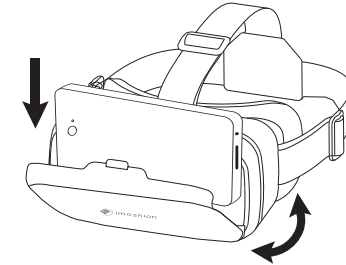
## Product Overview



## Instructions

### 1. Installing your phone into the headset.

Open the cover plate as shown in the picture below and insert your phone into the virtual reality headset. Make sure the phone is in the middle and close the cover plate.



### 2. Adjusting the headset.

Adjust the pupil distance and focal distance to get the best user experience.

