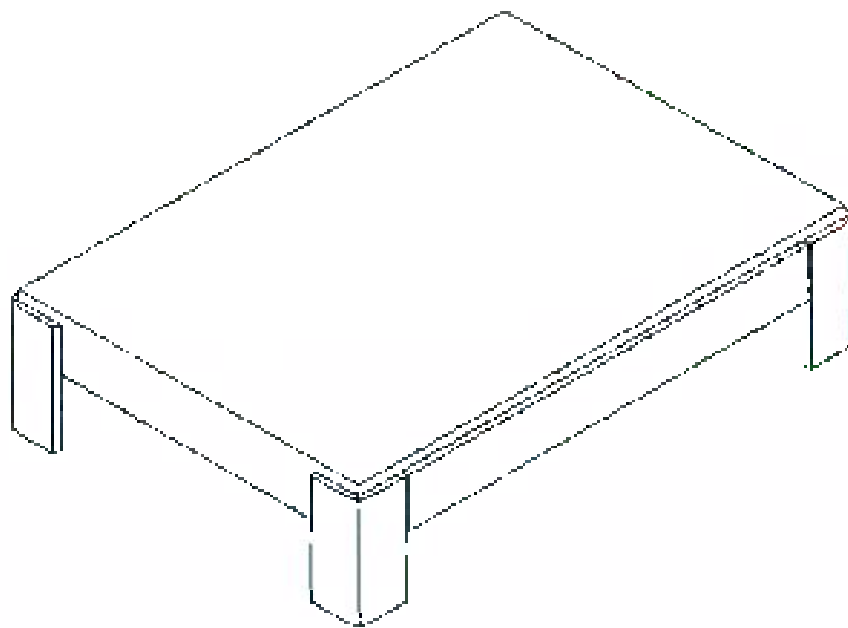


# Bed Fresh Montage Handleiding

030414



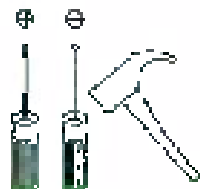
Qty of boxes 4X 




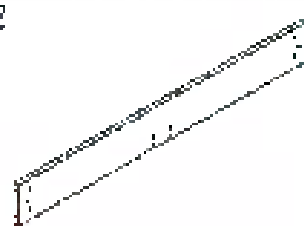
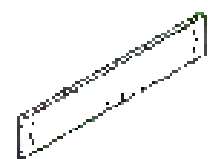




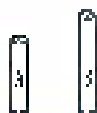




2X



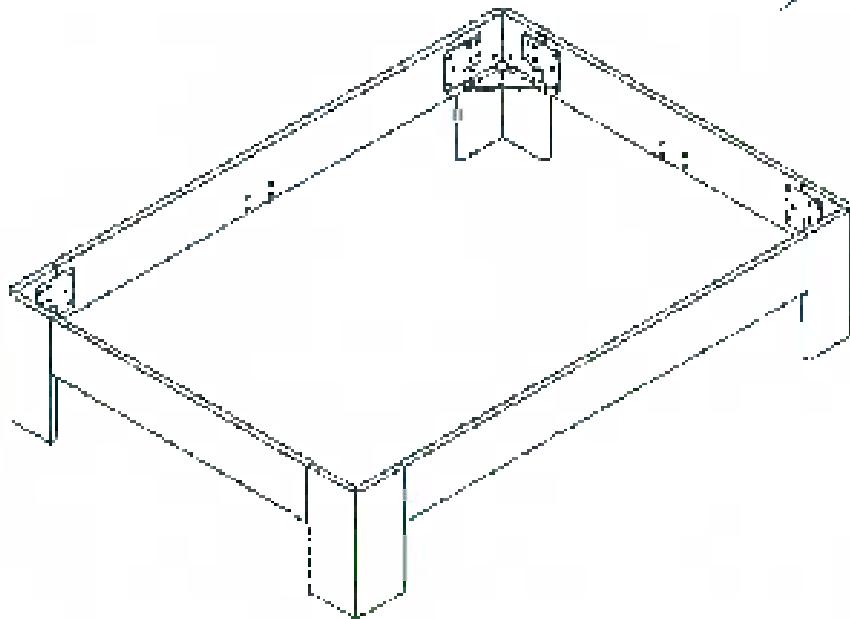
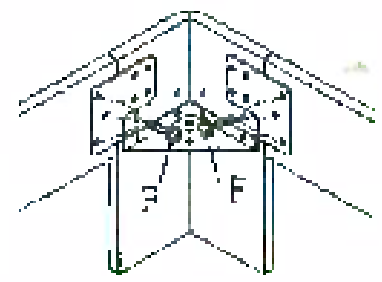
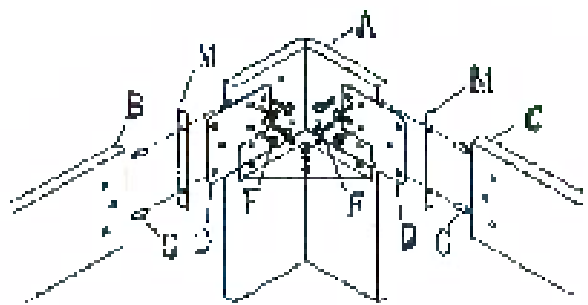
21 min



Tools

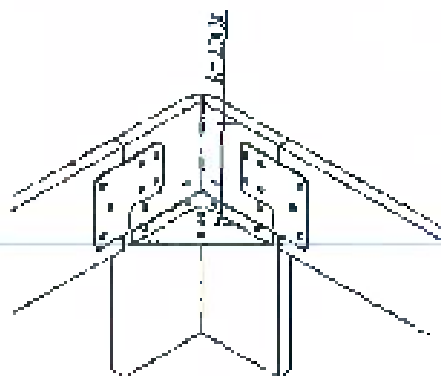
|  |  |   |  |   |
|--|--|---|--|---|
| <b>A x4</b><br> | <b>B x2</b><br>           |   | <b>C x2</b><br>          | <b>D x8</b><br>          |
| <b>E x2</b><br> | <b>F x60</b><br><br>ENx20 | <b>G x16</b><br> | <b>K x2</b><br><br>x2 x2 | <b>N x2</b><br><br>ENx20 |
| <b>L x2</b><br>  | <b>M x8</b><br>           | <b>P x1</b><br>  |  |   |

Step 1

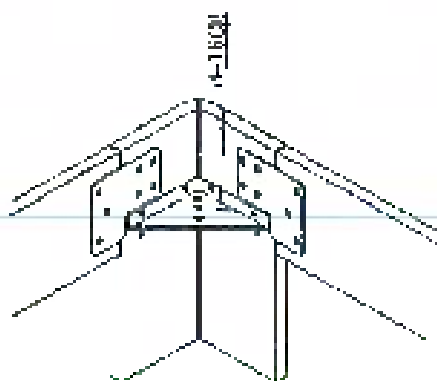


## Step 2

Variant A Lage Positie



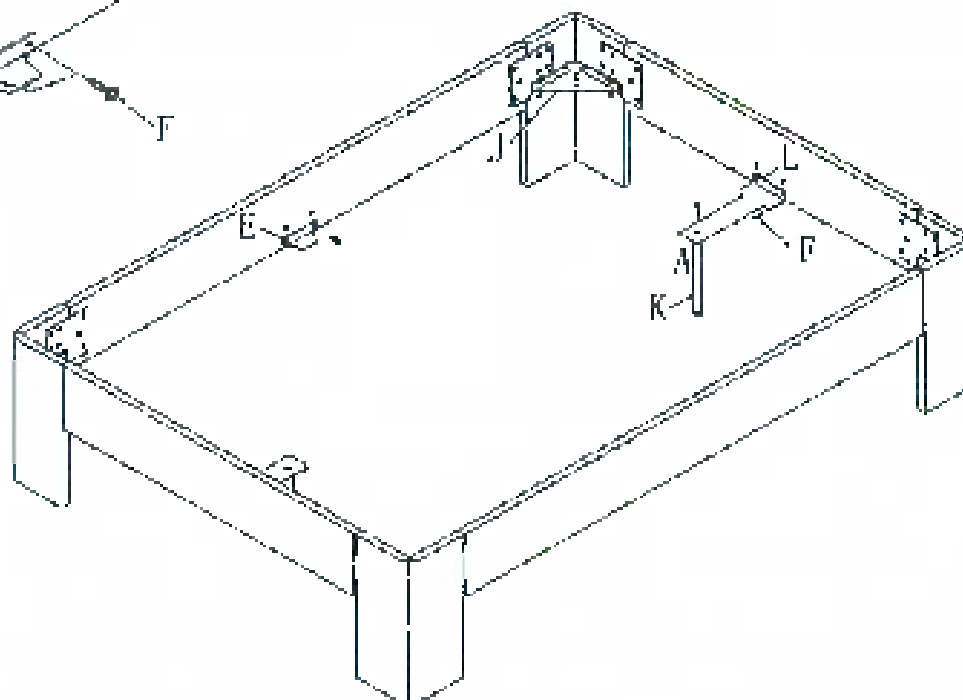
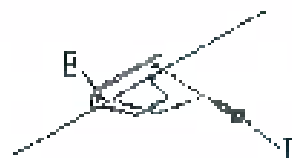
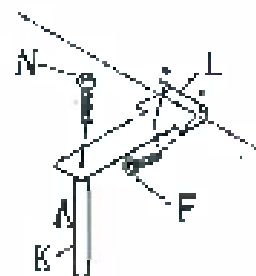
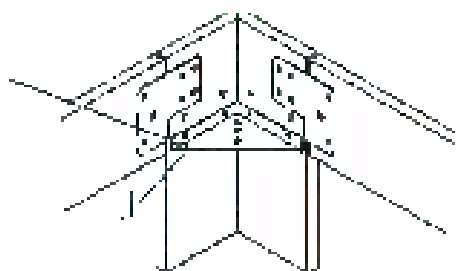
Variant B Hoog Positie



## Step 3

Variant A

Onderdeel J is al  
voorgemonteerd  
in fabriek



# Step 4

## Variant B

