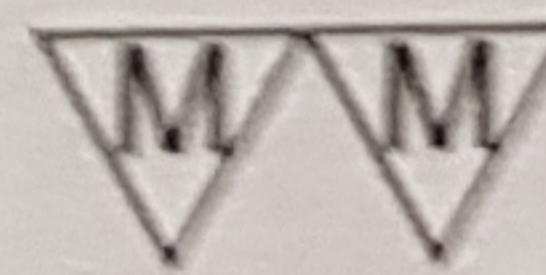
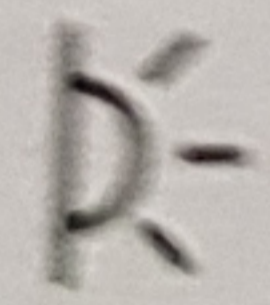


Paulmann Licht GmbH | Quezinger Feld 2 | 31832 Springe / Germany | www.paulmann.com



30.000 h

230V
350mA
incl. Transfo



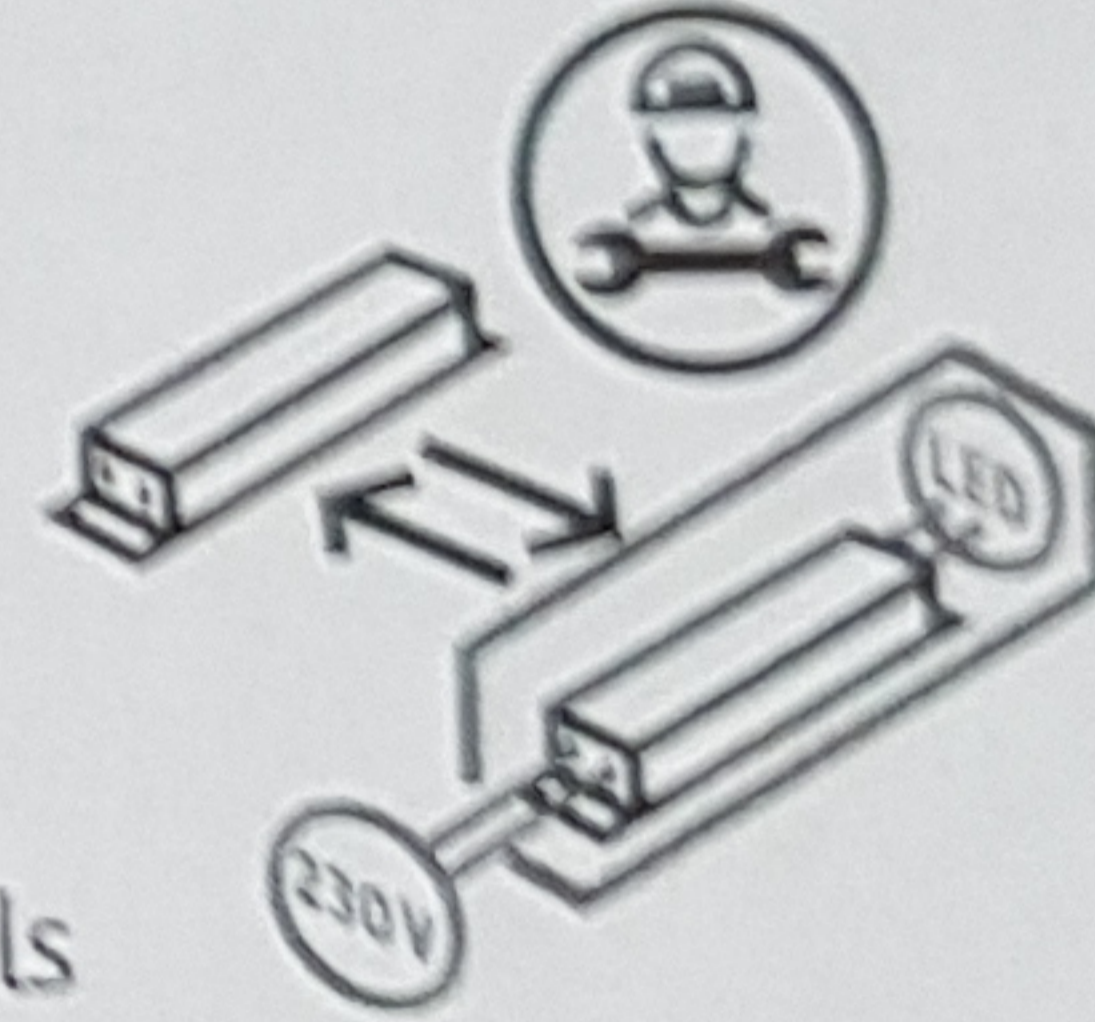
4 000870 937532 >

937.53

17v06
Stz. Z16D096



www.paulmann.com/symbols



508003013

03_05_pileis_MO_IC_Prufl_Center