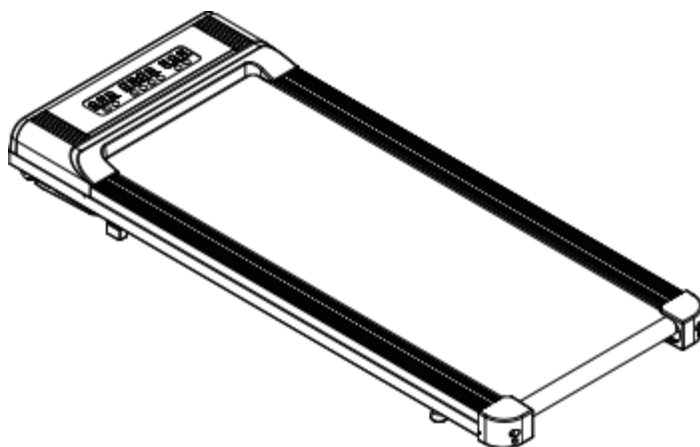


Treadmill Manual

Model: Q2



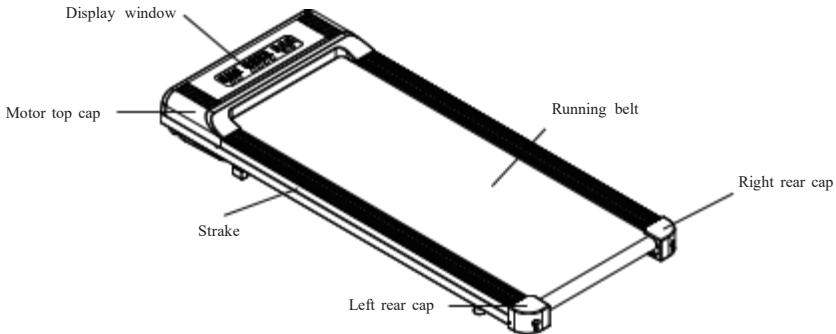
Contents

About the Product	01
Safety precautions and warning instructions	02-03
Installation instructions	04
Exercise suggestions and guidelines	05
Product instructions	05-06
Product maintenance	06-07
Technical parameter	08
Trouble shooting	08

1 . About the product

The names of all parts of the model are shown as follow:

Caution



Note:

Before assembly, please refer to the assembly instructions carefully. If assembly difficulties still occur, please ask our customer service.

If the product fails due to improper human activities and forced assembly, return and exchange are not accepted!

Return and replace the goods together with the main goods and accessories in accordance with the original packaging method. If there is any human factor, the missing parts (outer boxes or spare parts) must be compensated according to the original price.

In order to ensure your safety, when the machine is running, it is strictly prohibited to move or move the machine's body at will, so as to avoid accidentally pinching fingers or the body. We shall not be responsible for improper use.

Safety area: 1000mm *1000mm behind the device, 500mm on the left and right sides of the device.

Packing list

No.	Item	Unit	Quantity
1	Main body	set	1
2	Bottled silicone oil	bottle	1
3	Allen wrench	set	1
4	remote control	set	1
5	Instruction manual	copy	1

Please read this manual carefully before using it.

Please keep this manual for use. The appearance, color, or surface pattern of the product shall be subject to the actual conditions. Our products are constantly updated and subject to change without notice.

2. Safety precautions and warnings

Note: please read the manual carefully before use and pay attention to the following safety precautions.

- This machine is suitable to be placed indoors to avoid being affected by dampness. Water cannot be splashed on it and no foreign matter can be placed.
- Before exercise, please wear appropriate sportswear and sneakers. Any movement or stretching of bare feet is strictly forbidden.
- The power plug must be reliably grounded, and the socket must have a special circuit to avoid sharing with other electrical equipment.
- Children should stay away from the machine to avoid accidents.
- It is necessary to avoid overload operation for a long time, otherwise motor and controller will be damaged, wear and aging of the bearing, running belt and running plate will be accelerated.
- Reduce indoor dust, keep a certain humidity, and avoid strong static electricity, otherwise it may interfere with the normal operation of the electronic meter and controller.
- Please turn off the power of the machine after use.
- During the movement, please clamp the safety key cable on the clothes to ensure a safe shutdown in case of emergency
- If you feel uncomfortable or abnormal during use, please stop exercising and consult your doctor.
- After the use of silicone oil, it must be stored in a place not accessible to children to avoid serious consequences caused by ingestion.

Warning: In order to reduce accidents or injuries to others, please observe the following regulations:

- Don't wear clothes that are easily hooked by the machine.
- Keep the power cord away from hot objects.
- Keep children away from the machine.
- Do not use the machine outdoors.
- Power must be cut off before moving the machine.
- Non-professionals are not allowed to disassemble the machine without authorization, otherwise serious consequences may occur.
- This machine is only used in 20 amp circuits.
- Only one person can move on the machine when the machine is started.
- If you feel dizzy, chest pain, nausea, or shortness of breath, please stop exercising immediately and consult a doctor.

Warning! Attention!

If you are under the treatment of a doctor or the following patients, please consult with a specialist doctor.

- (1) Those who are suffering from waist pain or those who have suffered injuries to their legs, waist, and neck in the past. (Number of legs, waist, neck, and hands (chronic diseases such as disc herniation, cervical vertebra protrusion, etc.))
- (2) Those with deformational arthritis, rheumatism, and gout.
- (3) Abnormal osteoporosis.
- (4) Persons with circulatory disorders (heart disease, vascular disorders, hypertension, etc.).
- (5) Respiratory organ dysfunction
- (6) Implantable medical electronic instruments using artificial heart rate regulators.
- (7) Patients with malignant tumors.
- (8) Those with thrombosis or severe lipoma, blood circulation disorder, or various skin infections and other symptoms.
- (9) Persons with perceptual disorders caused by high peripheral circulation disorders such as diabetes.
- (10) People with skin trauma.
- (11) Persons with high fever (38 degrees or above) due to illness, etc.
- (12) Abnormal or curved dorsal bones.
- (13) Those who are pregnant or may be pregnant or are in a menstrual period.
- (14) Those who feel abnormal and need rest.
- (15) Those who are obviously in poor physical condition.
- (16) For the purpose of rehabilitation.
- (17) In addition to the above situations, people feel abnormal in their bodies. May lead to accidents or poor health.

- ◆ When you feel waist pain, numbness of legs, and feet, dizziness, heartbeat, and other physical pain different from usual or abnormal sensations caused by coordination during exercise, immediately stop using it and consult a doctor.

Don't let children use this product, and don't let children play around with this product.

— —Failure to comply may result in injury.

- ◆ Please make sure that there are no people or pets around (the rear, lower, and front parts of the product) during use, or when loading and taking out the product or sliding it.

Forbidden!

- ◆ Don't use it when the shell is cracked, broken, or detached (internal structure leaks out) or when the welded part is detached. — —otherwise accidents or injuries may occur.
 - ◆ Don't jump up or down during exercise. — —injuries may result from falls.
 - ◆ Do not use and keep it in damp places such as outdoors and near bathrooms and places that are prone to dripping water.
 - ◆ Do not use or keep it in places with direct sunlight, places with high temperatures such as around stoves, and heating appliances such as electric heating carpets.
— —No may lead to electricity leakage and fire.
 - ◆ Do not use the power cord or plug when it is damaged or the socket of the socket is loose-otherwise it may cause electric shock, short circuit, and fire.
 - ◆ Do not damage or forcibly bend or twist the power cord. At the same time, do not place heavy objects on it and do not hold the wire 1. — —Failure to do so will result in fire or electric shock.
 - ◆ Do not use two or more people at the same time, and be careful not to let people around you approach during use. — —Otherwise, accidents or injuries may occur due to falls.
 - ◆ Do not use it if you cannot express your awareness or if you cannot operate it.
— —Accidents or injuries may occur.
- Avoid contact with water!
Do not drench the main body or operation part with water or beverage.
— —may cause electric shock and fire.

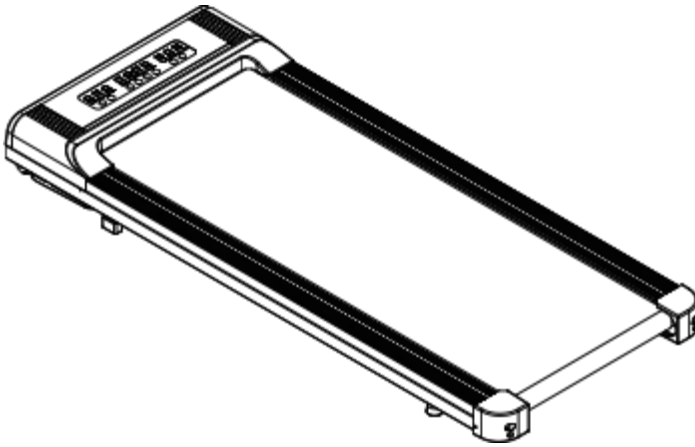
Forbidden!

- ◆ People who do not exercise normally should not do violent sports suddenly.
 - ◆ Do not use it after eating or when you are tired, just exercising, or when your physical condition is abnormal. — —May cause damage to health.
 - ◆ This product is suitable for family use, not for schools, gymnasiums, and other unspecified places with a large number of people. — —There is a risk of injury.
Do not use it while eating or doing other activities.
 - ◆ Do not use it when you feel sluggish after drinking.
— —May cause accident or injury.
 - ◆ Do not use it when there are hard objects in the pants pocket. — —May cause accident or injury.
 - ◆ Do not use it with wet hands!
 - ◆ Do not use wet hands to pull out or insert the power plug. — —May cause electric shock and injury.
Pull out the power plug!
 - ◆ When not in use, pull out the power plug from the socket.
— —Because dust and moisture will degrade the insulation, which will lead to leakage fire.
- Grounding instructions!
- ◆ The product must be grounded. In case of malfunction of the machine, the grounding will provide the channel with the least resistance for the current, so as to reduce the risk of electric shock
 - ◆ The product is equipped with a power supply with equipment grounding conductor and grounding plug. The plug must be inserted into a proper socket that has been installed and grounded correctly in full accordance with local laws and regulations.
- DANGER!
- ◆ If the grounding conductor of the equipment is not properly connected, an electric shock may be caused. If you have any questions about whether the grounding of the product is correct, please entrust a professional electrician to check. Even if the plug attached to the product does not match the socket, it cannot be modified. Please entrust a professional electrician to install a suitable socket.

3. Installation instructions

Step1.

Open the package,
take out the assembly materials from the box,
and lay the main part on the ground.



Attention:

if the treadmill wobbles,
adjust two adjustable knobs under the treadmill base.

4. Sports suggestions and guidelines

Warm-up

5 to 10 minutes of warm-up before each use of the machine.

Breathing

Do not shield breathing during exercise. Breathing and action should be coordinated. If breathing is too fast, stop the exercise immediately.

Frequency

The same part of the muscle exercise should be 48 hours of rest, that is, every other day to train the same part.

Load

The weight of training is determined according to the state of individual physical training, and then the training is carried out according to the principle of gradual load. In the initial training, muscle ache is a normal phenomenon. As long as the training continues, the ache can be eliminated.

Diet

In order to protect the digestive system, exercise can be carried out one hour after meals. After training, eat at least half an hour later. Drink less water during exercise, so as not to increase the burden on the heart and kidneys.

Stretching exercise

No matter how fast you run, it's better to stretch first. Warm muscles are easier to stretch because 5- 10 minutes to warm up. Then stop and do five stretches as follows, each leg Do it 10 seconds or more at a time, and do it again at the end of the workout.

1. Downward stretching

Slightly bend your knees, slowly bend down, relax your back and shoulders, and do your hands Measure and touch toes, hold for 10- 15 seconds, then relax, and repeat 3 times. (see Figure 1)

2. Hamstring stretching

Sit on a clean cushion and straighten one leg. Put the other leg in, Keep it close to the inside of the outstretched leg and try to touch the toes with your hands, Hold for 10- 15 seconds, then relax, and repeat 3 times on each leg. (see Figure 2)

3. Calf and heel tendon stretching

Stand with two hands on the wall or table, one foot behind. Keep back legs upright and heels Land, lean towards the wall or table, hold for 10- 15 seconds, then Relax, and repeat each leg three times. (see Figure 3)

4. Head muscle stretching

Hold the balance with your right hand on the wall or table, then extend your left hand backward, grasp your left ankle, and slowly pull it up to your hip until you feel the muscle in front of your thigh is very tense, pull it up for about 10- 15 seconds, then relax, and repeat 3 times for each leg. (see Figure 4)

5. Sartorius muscle(muscle inside thigh) stretching

With the feet facing each other, sit down with the knees facing out, grasp the feet with both hands and pull them towards the ventral groove, hold the scrofula for 10- 15 seconds, then relax and repeat 3 times. (see Figure 5)



5. Product instructions

(I) Window and Keys Description:

LED window displays the following functions:

A.Speed window: Q2 display speed range: 1-10km/h

(II) Profile

The functions of the electronic watch

Remote control

Use the function of the safe lock:

Place the ferromagnetic absorption part of the safety lock belt in the yellow area, use the locker patch fitting, and clip it to the front of the clothes

•With the circumstance of power on and safety lock in the right place, stop the treadmill with a sudden stop function.

(III) Brief introduction

Functions of this electronic meter

•Remote control function

(IV) Led display description

Display content on LED:

- Speed display
- Calorie display
- Time display

Window switch speed, calories, time, display every 5seconds.

(V) Function description of remote control

button Remote keypad function key:

- Start key/stop key
- speed+key
- Speed - key

(VI) Function and operation instructions of the remote control button

1. Start key/stop key: press the power switch on the treadmill and press the start key/stop key on the remote control when you hear a beep from the buzzer.

To start running, stop the treadmill and press the start/stop key on the remote control to turn off the treadmill.

2. Speed+key: to speed up the treadmill when the treadmill is running, press the speed+on the remote control to increase. 3. Speed- key: when the treadmill is running, press the speed key on the remote control to reduce the speed of the treadmill.

6. Maintenance

1. Lubrication

After using the running belt for a period of time, it is necessary to add treadmill oil to avoid sliding.

The recommended lubrication time is:

When you use the running machine over 300 kilometers, please add some oil.

Note: do not add too much dose each time.

2. Check whether lubrication is required

Grasp the running belt, and touch the back center area of the running belt as much as possible. If there is silicone oil on the belt, it means no lubrication is needed. If you feel that the running board is dry and there is no silicone oil on your hand, you need to add oil and lubricate the board.

Measure the center position of the running belt (refer to the right figure) and spray silicone oil on the inside of the running belt. After that, run the treadmill at a speed of 1km to evenly smear silicone oil, and light the running belt from left to right. After about a minute, silicone oil will be absorbed by the running belt.

3. Elastic adjustment of running belt

All treadmills have adjusted the running belt's tension before they leave the factory, but after a period of use, the running belt will still be loose. The specific form of expression is: running in normal use with a stop slip phenomenon. When this happens, adjust the running belt adjusting the bolt left and right synchronously according to the clockwise direction with half a circle as the unit.

Note: when adjusting the running belt, it is not allowed to adjust the running belt too tightly, which shall be subject to the normal use of the running belt without slipping. If the running belt is adjusted too tightly, the aging of the running belt will be accelerated, the motor load will be increased, and the service life of the bearing will be shortened.



4. Deviation adjustment of running belt

All treadmills have adjusted the running belt deviation before they leave the factory, but after a period of use, the running belt deviation may occur, which may be caused by the following situations:

- (1) the main part is not placed stably.
- (2) the user's feet are not in the center of the running belt when exercising.
- (3) uneven force on the user's feet.

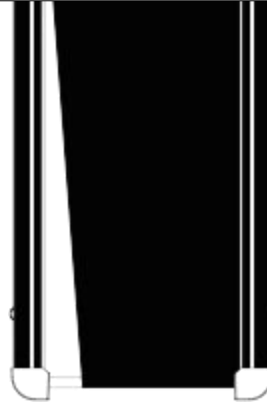
The deviation caused by human factors will automatically return to normal after several minutes of no-load operation. For some deviation phenomena that cannot be recovered automatically, adjust the belt adjusting screw.

The specific operation is as follows:

off center to the LEFT



off center to the RIGHT



To determine left and right, stand at the rear of the treadmill and face the display. Make all belt adjustments on the rear bolt using the hex key provided.

If the belt is off-center to the LEFT,

turn the left adjusting bolt $\frac{1}{4}$ turn clockwise

or the right adjusting bolt $\frac{1}{4}$ turn counterclockwise

which moves the running belt to the right.

If the belt is off-center to the RIGHT,

turn the left adjusting bolt $\frac{1}{4}$ turn counterclockwise

or the right adjusting bolt $\frac{1}{4}$ turn clockwise

which moves the running belt to the left.

Important:

1. Do not turn the adjusting bolt more than $\frac{1}{4}$ turn at a time. Overtightening the bolt will damage the treadmill.
2. Recheck the alignment of the running belt by repeating the steps found in Treadmill: Checking the Alignment of the Running Belt.

Note: Running belt deviation is not covered by warranty, and is mainly maintained and maintained by users according to the instructions. The deviation will seriously damage the running belt and affect its service life. Please adjust in time when it occurs.

7. Technical parameters

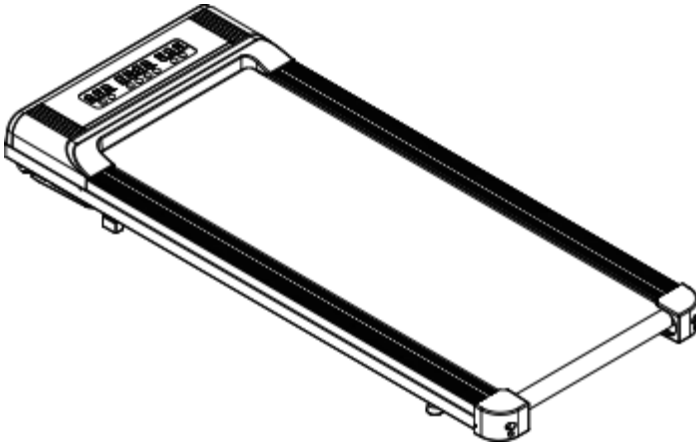
Types	Q2
Operating Voltage	220-240V 50-60Hz
Maximum Load	130KG
Outline Dimension	1255*57.5*1060MM
Effective Running Area	1070*40MM
Peak Motor Power	3.0HP
Continuous Output Power	1.0HP
Speed	1-10km/h
Functions	Walking/ running
Protection Level Against Electric Shock	Level I

8. Trouble shooting

Error code	Error	Error judgment	Solution
E6	Motor over-voltage protection	<ol style="list-style-type: none"> 1. The user's power grid or voltage is unstable, and the peak voltage is too high; 2. The wheel diameter value was set incorrectly; 3. Controller damage 	<ol style="list-style-type: none"> 1. Add an external filter regulator; 2. Re-set the wheel diameter value so as not to exceed the rated voltage of the motor; 3. Replace the controller
E5	Over-current protection	<ol style="list-style-type: none"> 1. Excessive load; 2. The motor or roller is stuck with foreign objects; 3. The roller is not lubricated enough, and the resistance increases; 4. The motor is damaged and the resistance increases 	<ol style="list-style-type: none"> 1. Reduce the load and try not to exceed the rated load; 2. Remove the stuck object; 3. Add lubricant; 4. Replace the motor;
E2	Motor damaged	<ol style="list-style-type: none"> 1. The motor wire is not connected or is loose; 2. The motor is damaged; 3. The controller is damaged; 	<ol style="list-style-type: none"> 1. Reinforce the motor cable; 2. Replace the motor; 3. Replace the controller;
E1	Connection error	<ol style="list-style-type: none"> 1. The interface of the upper and lower control main connection lines is loose; 2. The main connection line of the upper and lower control is damaged; 3. The monitor is damaged; 4. The controller is damaged; 	<ol style="list-style-type: none"> 1. Reinforce the cable interface; 2. Replace the main connecting cable of the upper and lower control; 3. Replace the monitor; 4. Replace the controller;

Tretmühle Handbuch

Modell: Q2



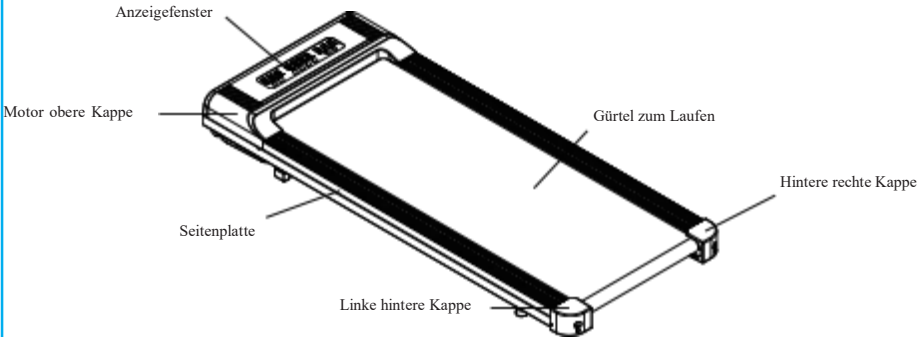
Inhalt

Über das Produkt	09
Sicherheitsvorkehrungen und Warnhinweise	10-12
Anweisungen zum Einbau	12
Übungsvorschläge und Richtlinien	13
Anweisungen zum Produkt	13-14
Wartung des Produkt	14-15
Technische Parameter	16
Fehlersuche	16

1. Über das Produkt

Die Namen aller Teile des Modells werden wie folgt angezeigt:

Vorsicht



Anmerkung:

Bitte lesen Sie vor der Montage die Montageanleitung sorgfältig durch. Sollten dennoch Schwierigkeiten bei der Montage auftreten, wenden Sie sich bitte an unseren Kundendienst.

Wenn das Produkt aufgrund unsachgemäßer menschlicher Aktivitäten und gewaltsamer Montage versagt, werden Rückgabe und Umtausch nicht akzeptiert!

Rücksendung und Ersatz der Ware zusammen mit der Hauptware und dem Zubehör in der Originalverpackung. Wenn ein menschlicher Faktor vorliegt, müssen die fehlenden Teile (Außenkartons oder Ersatzteile) entsprechend dem ursprünglichen Preis entschädigt werden.

Um Ihre Sicherheit zu gewährleisten, ist es strengstens untersagt, die Maschine während des Betriebs nach Belieben zu bewegen oder zu verschieben, um ein versehentliches Einklemmen der Finger oder des Körpers zu vermeiden. Wir übernehmen keine Verantwortung für unsachgemäßen Gebrauch.

Sicherheitsbereich: 1000mm *1000mm hinter dem Gerät, 500mm auf der linken und rechten Seite des Geräts.

Die Packliste

Nr.	Artikel	Einheit	Menge
1	Hauptkörper	setzen	1
2	Silikonöl in Flaschen	flasche	1
3	Inbus-Schlüssel	setzen	1
4	Fernsteuerung	setzen	1
5	Gebrauchsanweisung	exemplar	1

Bitte lesen Sie dieses Handbuch vor der Benutzung sorgfältig durch.

Bitte bewahren Sie diese Anleitung für den Gebrauch auf. Das Aussehen,

die Farbe oder das Oberflächenmuster des Produkts unterliegen den tatsächlichen Gegebenheiten.

Unsere Produkte werden ständig aktualisiert und können ohne vorherige Ankündigung geändert werden.

2. Sicherheitsvorkehrungen und Warnhinweise

Hinweis: Bitte lesen Sie das Handbuch vor dem Gebrauch sorgfältig durch und beachten Sie die folgenden Sicherheitsvorkehrungen.

- Dieses Gerät sollte in Innenräumen aufgestellt werden, damit es nicht durch Feuchtigkeit beeinträchtigt wird. Es darf nicht mit Wasser bespritzt werden und es dürfen keine Fremdkörper darauf platziert werden.
- Tragen Sie vor dem Training geeignete Sportkleidung und Turnschuhe. Jegliche Bewegung oder Streckung der nackten Füße ist strengstens untersagt.
- Der Netzstecker muss zuverlässig geerdet sein, und die Steckdose muss eine spezielle Schaltung haben, um eine gemeinsame Nutzung mit anderen elektrischen Geräten zu vermeiden.
- Kinder sollten sich vom Gerät fernhalten, um Unfälle zu vermeiden.
- Es ist notwendig, Überlastbetrieb für eine lange Zeit zu vermeiden, sonst werden Motor und Regler beschädigt, Verschleiß und Alterung des Lagers, des Laufriemens und der Laufplatte werden beschleunigt.
- Reduzieren Sie Staub in Innenräumen, halten Sie eine bestimmte Luftfeuchtigkeit ein und vermeiden Sie starke statische Elektrizität, da diese sonst den normalen Betrieb des elektronischen Messgeräts und des Steuergeräts beeinträchtigen kann.
- Bitte schalten Sie das Gerät nach dem Gebrauch aus.
- Klemmen Sie während der Bewegung das Kabel des Sicherheitsschlüssels an die Kleidung, um im Notfall ein sicheres Abschalten zu gewährleisten.
- Wenn Sie sich während des Gebrauchs unwohl oder abnormal fühlen, hören Sie bitte mit dem Training auf und konsultieren Sie Ihren Arzt.
- Nach der Verwendung von Silikonöl muss dieses an einem für Kinder unzugänglichen Ort aufbewahrt werden, um ernsthafte Folgen durch Verschlucken zu vermeiden.

Achtung: Um Unfälle oder Verletzungen für andere zu reduzieren, beachten Sie bitte folgende Vorschriften:

- Tragen Sie keine Kleidung, an der sich das Gerät leicht verfangen kann.
- Halten Sie das Netzkabel von heißen Gegenständen fern.
- Halten Sie Kinder von der Maschine fern.
- Verwenden Sie das Gerät nicht im Freien.
- Vor dem Bewegen der Maschine muss die Stromzufuhr unterbrochen werden.
- Laien dürfen das Gerät nicht ohne Genehmigung zerlegen, andernfalls kann es zu schwerwiegenden Folgen kommen.
- Diese Maschine darf nur in 20-Ampere-Stromkreisen verwendet werden.
- Es darf sich nur eine Person auf der Maschine bewegen, wenn die Maschine gestartet wird.
- Wenn Sie Schwindel, Brustschmerzen, Übelkeit oder Atemnot verspüren, brechen Sie das Training bitte sofort ab und suchen Sie einen Arzt auf.

Warnung! Achtung!

Wenn Sie sich in ärztlicher Behandlung befinden oder die folgenden Patienten sind, wenden Sie sich bitte an einen Facharzt.

- (1) Personen, die unter Schmerzen in der Taille leiden oder die in der Vergangenheit Verletzungen an Beinen, Taille und Hals erlitten haben. Taubheitsgefühl in Beinen, Taille, Nacken und Händen (chronische Erkrankungen wie Bandscheibenvorfall, Halswirbelvorwölbung usw.)
- (2) Personen mit deformierender Arthritis, Rheumatismus und Gicht.
- (3) Abnormale Osteoporose.
- (4) Personen mit Durchblutungsstörungen (Herzkrankheiten, Gefäßerkrankungen, Bluthochdruck usw.).
- (5) Funktionsstörung der Atmungsorgane.
- (6) Implantierbare medizinisch-elektronische Geräte mit künstlichen Herzfrequenzreglern.
- (7) Patienten mit bösartigen Tumoren.
- (8) Personen mit Thrombose oder schweren Lipomen, Durchblutungsstörungen oder verschiedenen Hautinfektionen und anderen Symptomen.
- (9) Personen mit Wahrnehmungsstörungen, die durch starke periphere Durchblutungsstörungen wie Diabetes verursacht werden.
- (10) Personen mit einem Hauttrauma.
- (11) Personen mit hohem Fieber (38 Grad oder mehr) aufgrund einer Krankheit usw.
- (12) Abnorme oder gekrümmte Rückenknöchel.
- (13) Personen, die schwanger sind oder schwanger sein könnten oder sich in der Menstruationsphase befinden.
- (14) Personen, die sich abnormal fühlen und Ruhe brauchen.
- (15) Personen, die sich offensichtlich in einer schlechten körperlichen Verfassung befinden.
- (16) Zum Zwecke der Rehabilitation.
- (17) Zusätzlich zu den oben genannten Situationen fühlen sich Menschen in ihrem Körper abnormal. Das kann zu Unfällen oder schlechter Gesundheit führen.

- ◆ Wenn Sie Schmerzen in der Taille, Taubheitsgefühle in den Beinen und Füßen, Schwindel, Herzklopfen und andere körperliche Schmerzen, die sich von den üblichen unterscheiden, oder anormale Empfindungen, die durch die Koordination während des Trainings verursacht werden, verspüren, beenden Sie sofort die Einnahme und suchen Sie einen Arzt auf.

Lassen Sie Kinder dieses Produkt nicht benutzen, und lassen Sie Kinder nicht mit diesem Produkt herumspielen.

— —Nichtbeachtung kann zu Verletzungen führen.

- ◆ Achten Sie darauf, dass sich während des Gebrauchs, beim Einlegen und Herausnehmen des Geräts oder beim Verschieben des Geräts keine Personen oder Haustiere in der Nähe befinden (hinterer, unterer und vorderer Teil des Geräts).

Verboten!

- ◆ Verwenden Sie es nicht, wenn das Gehäuse gesprungen, gebrochen oder abgelöst ist (innere Struktur tritt aus) oder wenn sich das geschweißte Teil gelöst hat.— —Andernfalls kann es zu Unfällen oder Verletzungen kommen.
- ◆ Springen Sie während des Trainings nicht auf und ab.— —Verletzungen können durch Stürze verursacht werden.
- ◆ Benutzen und bewahren Sie das Gerät nicht an feuchten Orten auf, z. B. im Freien, in der Nähe von Badezimmern oder an Orten, an denen Wasser heruntertropfen kann.
- ◆ Benutzen und bewahren Sie es nicht an Orten mit direkter Sonneneinstrahlung, an Orten mit hohen Temperaturen wie in der Nähe von Öfen und Heizgeräten wie elektrischen Heizteppichen auf.
— —Nein kann zu Stromverlusten und Bränden führen.
- ◆ Verwenden Sie das Netzkabel oder den Netzstecker nicht, wenn es/sie beschädigt ist/sind oder die Steckdose locker ist - andernfalls kann es zu einem Stromschlag, Kurzschluss oder Brand kommen.
- ◆ Beschädigen Sie das Netzkabel nicht und biegen oder verdrehen Sie es nicht gewaltsam. Stellen Sie auch keine schweren Gegenstände darauf und halten Sie das Kabel nicht fest. — —Andernfalls besteht die Gefahr eines Brandes oder Stromschlags.
- ◆ Verwenden Sie das Gerät nicht mit zwei oder mehr Personen gleichzeitig, und achten Sie darauf, dass sich die Personen in Ihrer Nähe während der Verwendung nicht nähern. — —Andernfalls kann es zu Unfällen oder Verletzungen aufgrund von Stürzen kommen.
- ◆ Benutzen Sie es nicht, wenn Sie Ihr Bewusstsein nicht ausdrücken oder es nicht bedienen können.
— —Es kann zu Unfällen oder Verletzungen kommen.

Vermeiden Sie den Kontakt mit Wasser!

Tränken Sie das Gehäuse oder das Bedienteil nicht mit Wasser oder Getränken.

— —kann zu Stromschlägen und Bränden führen.

Verboten!

- ◆ Menschen, die sich normalerweise nicht sportlich betätigen, sollten nicht plötzlich Gewaltsportarten ausüben.
- ◆ Verwenden Sie es nicht nach dem Essen oder wenn Sie müde sind, gerade trainieren, oder wenn Ihr körperlicher Zustand abnormal ist. — —Kann zu Gesundheitsschäden führen.
- ◆ Dieses Produkt ist für den Gebrauch in der Familie geeignet, nicht für Schulen, Sporthallen und andere nicht spezifizierte Orte mit einer großen Anzahl von Menschen. — —Es besteht Verletzungsgefahr.
Verwenden Sie es nicht beim Essen oder bei anderen Aktivitäten.
- ◆ Verwenden Sie es nicht, wenn Sie sich nach dem Trinken träge fühlen.
— —Kann zu Unfällen oder Verletzungen führen.
- ◆ Verwenden Sie es nicht, wenn sich harte Gegenstände in der Hosentasche befinden. - Kann zu Unfällen oder Verletzungen führen.
- ◆ Benutzen Sie es nicht mit nassen Händen!
- ◆ Ziehen Sie den Netzstecker nicht mit nassen Händen heraus oder stecken Sie ihn ein. --Kann zu einem Stromschlag und Verletzungen führen.
Ziehen Sie den Netzstecker!
- ◆ Ziehen Sie den Netzstecker aus der Steckdose, wenn das Gerät nicht benutzt wird.
— —Wenn Sie den Netzstecker nicht benutzen, ziehen Sie ihn aus der Steckdose, da Staub und Feuchtigkeit die Isolierung beschädigen, was zu einem Brand führen kann.

Anweisungen zur Erdung!

- ◆ Das Produkt muss geerdet sein. Im Falle einer Fehlfunktion des Geräts stellt die Erdung den Kanal mit dem geringsten Widerstand für den Strom zur Verfügung, um das Risiko eines Stromschlags zu verringern.
- ◆ Das Produkt ist mit einer Stromversorgung mit Erdungsleiter und Erdungsstecker ausgestattet. Der Stecker muss in eine ordnungsgemäß installierte und geerdete Steckdose eingesteckt werden, die den örtlichen Gesetzen und Vorschriften entspricht.

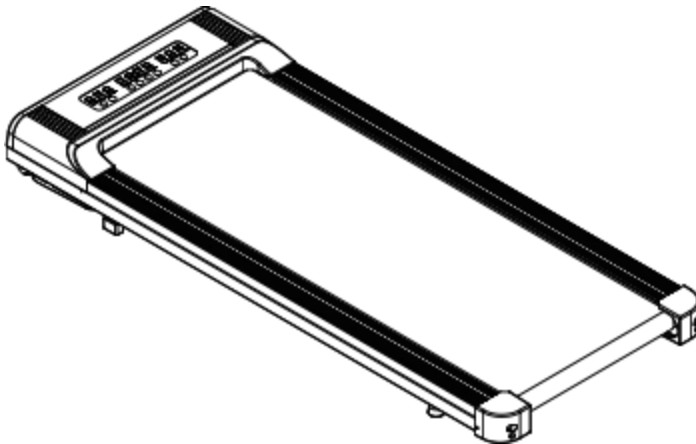
GEFAHR!

◆ Wenn der Erdungsleiter des Geräts nicht richtig angeschlossen ist, kann ein elektrischer Schlag verursacht werden. Wenn Sie sich nicht sicher sind, ob die Erdung des Geräts korrekt ist, beauftragen Sie bitte einen professionellen Elektriker mit der Überprüfung. Auch wenn der am Gerät angebrachte Stecker nicht mit der Steckdose übereinstimmt, kann er nicht verändert werden. Bitte beauftragen Sie einen professionellen Elektriker mit der Installation einer passenden Steckdose.

3. Anweisungen zum Einbau

Schritt 1.

Öffnen Sie das Paket,
nehmen Sie das Montagematerial aus der Schachtel,
und legen Sie das Hauptteil auf den Boden.



Achtung!

Wenn das Laufband wackelt,
stellen Sie die beiden Einstellknöpfe unter dem Laufbandfuß ein.

4. Übungsvorschläge und Richtlinien

Aufwärmen

5 bis 10 Minuten Aufwärmzeit vor jeder Benutzung des Geräts.

Atmung

Schirmen Sie die Atmung während des Trainings nicht ab. Atmung und Bewegung sollten koordiniert sein. Wenn die Atmung zu schnell ist, beenden Sie die Übung sofort.

Häufigkeit

Der gleiche Teil des Muskels Übung sollte 48 Stunden der Ruhe, das heißt, jeden zweiten Tag, um den gleichen Teil zu trainieren.

Belastung

Das Trainingsgewicht wird entsprechend dem individuellen Trainingszustand festgelegt, und das Training wird nach dem Prinzip der schrittweisen Belastung durchgeführt. In der Anfangsphase des Trainings ist Muskelkater ein normales Phänomen. Solange das Training fortgesetzt wird, kann der Muskelkater beseitigt werden.

Diät

Um das Verdauungssystem zu schützen, kann das Training eine Stunde nach den Mahlzeiten durchgeführt werden. Essen Sie nach dem Training mindestens eine halbe Stunde später. Trinken Sie während des Trainings weniger Wasser, um die Belastung für Herz und Nieren nicht zu erhöhen.

Dehnungsübung

Unabhängig davon, wie schnell Sie laufen, ist es besser, sich vorher zu dehnen. Warme Muskeln sind leichter zu dehnen, denn 5 - 10 Minuten zum Aufwärmen. Halten Sie dann an und machen Sie fünf Dehnübungen wie folgt, jedes Bein.

Führen Sie sie jeweils 10 Sekunden oder länger aus, und wiederholen Sie sie am Ende des Trainings.

Dehnung nach unten

Die Knie leicht beugen, langsam nach unten beugen, den Rücken und die Schultern entspannen und die Hände auflegen. Zehen messen und berühren, 10 bis 15 Sekunden halten, dann entspannen und 3 Mal wiederholen. (siehe Abbildung 1)

1. Dehnung der Kniesehne

Setzen Sie sich auf ein sauberes Kissen und strecken Sie ein Bein aus. Ziehen Sie das andere Bein an. Halten Sie es dicht an der Innenseite des ausgestreckten Beins und versuchen Sie, mit den Händen die Zehen zu berühren.

Halten Sie die Position für 10 bis 15 Sekunden, entspannen Sie sich und wiederholen Sie die Übung 3 Mal mit jedem Bein (siehe Abbildung 2).

2. Dehnung der Waden- und Fersensehne

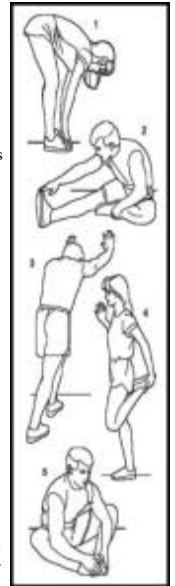
Stellen Sie sich mit beiden Händen an die Wand oder den Tisch, einen Fuß nach hinten. Die hinteren Beine aufrecht halten und die Fersen aufsetzen, zur Wand oder zum Tisch lehnen, 10 bis 15 Sekunden halten, dann entspannen und jedes Bein dreimal wiederholen. (siehe Abbildung 3)

3. Kopfmuskeldehnung

Halten Sie das Gleichgewicht mit der rechten Hand an der Wand oder am Tisch, strecken Sie dann die linke Hand nach hinten aus, fassen Sie den linken Knöchel und ziehen Sie ihn langsam bis zur Hüfte hoch, bis Sie spüren, dass der Muskel an der Vorderseite des Oberschenkels sehr angespannt ist, ziehen Sie ihn etwa 10 bis 15 Sekunden lang hoch, entspannen Sie ihn dann und wiederholen Sie dies dreimal für jedes Bein (siehe Abbildung 4).

4. Dehnung des Oberschenkelmuskels (innerer Oberschenkelmuskel)

Setzen Sie sich mit den Füßen zueinander, die Knie zeigen nach außen, fassen Sie die Füße mit beiden Händen und ziehen Sie sie in Richtung Bauchfureche, halten Sie die Skrofula 10 bis 15 Sekunden lang, entspannen Sie sich und wiederholen Sie den Vorgang dreimal. (siehe Abbildung 5)



5. Anweisungen zum Produkt

(I) Fenster und Tasten Beschreibung:

Das LED-Fenster zeigt die folgenden Funktionen an:

A. Geschwindigkeitsfenster: Q2 Anzeige Geschwindigkeitsbereich: 1-10km/h

(II) Profil

Die Funktionen der elektronischen Uhr

Fernsteuerung

Verwenden Sie die Funktion des Sicherheitsschlusses:

Legen Sie den ferromagnetischen Absorptionsteil des Sicherheitsschlusses in den gelben Bereich, verwenden Sie die Schließfachbefestigung und befestigen Sie sie an der Vorderseite der Kleidung.

• Wenn das Laufband eingeschaltet ist und die Sicherheitssperre an der richtigen Stelle sitzt, stoppen Sie das Laufband mit der Schnellstopp-Funktion.

(III) Kurze Einführung

Funktionen dieses elektronischen Messgeräts

- Fernsteuerungsfunktion

(IV) Beschreibung der LED-Anzeige

Display-Inhalt auf LED:

- Geschwindigkeitsanzeige
- Kalorienanzeige
- Zeitanzeige

Fensterschalter geschwindigkeit, kalorien, zeit, anzeige alle 5 Sekunden.

(V) Funktionsbeschreibung der Fernbedienungs-Taste

Funktionstaste der Fernbedienung:

- Start-Taste/Stopp-Taste
- Geschwindigkeit +Taste
- Taste -Geschwindigkeit

(VI) Funktion und Bedienung der Fernbedienungstaste

1. Starttaste/Stopptaste: Drücken Sie den Netzschalter am Laufband und drücken Sie die

Starttaste/Stopptaste auf der Fernbedienung, wenn Sie einen Signalton vom Buzzer hören.

Um zu laufen, halten Sie das Laufband an und drücken Sie die Start/Stopp-Taste auf der Fernbedienung, um das Laufband auszuschalten.

2. Speed+ Taste: um das Laufband zu beschleunigen, wenn das Laufband läuft, drücken Sie die speed+

Taste auf der Fernbedienung, um die Geschwindigkeit des Laufbandes zu erhöhen. 3. Speed- Taste: wenn

das Laufband läuft, drücken Sie die speed-Taste auf der Fernbedienung, um die Geschwindigkeit des Laufbandes zu verringern.

6. Wartung des Produkt

1. Schmierung

Nach längerem Gebrauch des Laufbandes ist es notwendig, Laufbandöl hinzuzufügen, um ein Verrutschen zu vermeiden.

Die empfohlene Schmierzeit ist:

Wenn Sie das Laufband mehr als 300 Kilometer benutzen, fügen Sie bitte etwas Öl hinzu.

Hinweis: Fügen Sie nicht jedes Mal eine zu große Menge hinzu.

2. Prüfen Sie, ob eine Schmierung erforderlich ist

Fassen Sie den Laufriemen an und berühren Sie den hinteren mittleren Bereich des Laufriemens so weit wie möglich. Wenn sich Silikonöl auf dem Riemen befindet, ist keine Schmierung erforderlich. Wenn Sie das Gefühl haben, dass das Laufband trocken ist und kein Silikonöl an Ihrer Hand ist, müssen Sie Öl hinzufügen und das Band schmieren.

Messen Sie die mittlere Position des Laufbandes (siehe Abbildung rechts) und sprühen Sie Silikonöl auf die Innenseite des Laufbandes. Danach lassen Sie das Laufband mit einer Geschwindigkeit von 1 km laufen, um das Silikonöl gleichmäßig zu verteilen, und beleuchten das Laufband von links nach rechts.

Nach etwa einer Minute wird das Silikonöl vom Laufband absorbiert.

3. Elastische Einstellung des Laufbandes

Bei allen Laufbändern ist die Spannung des Laufbands vor der Auslieferung eingestellt, aber nach einer gewissen Nutzungsdauer ist das Laufband immer noch locker. Die spezifische Form des Ausdrucks ist:

Laufen bei normalem Gebrauch mit einem Stopp-Schlupf-Phänomen. Wenn dies geschieht, stellen Sie

das Laufband ein, indem Sie die Schraube links und rechts synchron im Uhrzeigersinn mit einem Halbkreis als Einheit einstellen.

Hinweis: Beim Einstellen des Laufriemens darf der Laufriemen nicht zu straff eingestellt werden; er muss dem normalen Gebrauch des Laufriemens ohne Schlupf unterliegen. Wenn der Laufriemen zu straff eingestellt wird, wird die Alterung des Laufriemens beschleunigt, die Motorbelastung erhöht und die Lebensdauer des Lagers verkürzt.

4. Einstellung der Abweichung des Laufbandes

Alle Laufbänder haben die Laufbandabweichung eingestellt, bevor sie das Werk verlassen, aber nach einer gewissen Nutzungsdauer kann die Laufbandabweichung auftreten, was durch die folgenden Situationen verursacht werden kann:

- (1) Der Hauptteil ist nicht stabil platziert.
- (2) Die Füße des Benutzers befinden sich beim Training nicht in der Mitte des Laufbandes.
- (3) Ungleichmäßige Kraft auf die Füße des Benutzers.

Die durch menschliche Faktoren verursachte Abweichung kehrt nach einigen Minuten unbelastetem Betrieb automatisch in den Normalzustand zurück. Bei einigen Abweichungen, die nicht automatisch wiederhergestellt werden können, müssen Sie die Gurt-Einstellschraube anpassen.

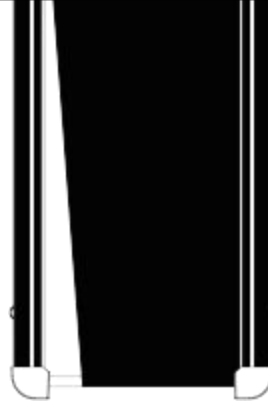
Dies geschieht wie folgt:



außerhalb der Mitte nach LINKS



außerhalb der Mitte nach RECHTS



Um links und rechts zu bestimmen, stellen Sie sich an die Rückseite des Laufbandes und schauen auf das Display. Nehmen Sie alle Einstellungen des Laufbandes an der hinteren Schraube mit dem mitgelieferten Inbusschlüssel vor.

Wenn der Riemen nicht mittig nach LINKS läuft,

drehen Sie die linke Einstellschraube $\frac{1}{4}$ Umdrehung im Uhrzeigersinn

oder die rechte Einstellschraube $\frac{1}{4}$ Umdrehung gegen den Uhrzeigersinn

der das laufende Band nach rechts bewegt.

Wenn der Riemen nach RECHTS dezentriert ist,

drehen Sie die linke Einstellschraube $\frac{1}{4}$ Umdrehung gegen den Uhrzeigersinn

oder die rechte Einstellschraube $\frac{1}{4}$ Umdrehung im Uhrzeigersinn

der das laufende Band nach links bewegt.

Wichtig:

1. Drehen Sie die Einstellschraube nicht mehr als $\frac{1}{4}$ Umdrehung auf einmal.

Ein zu starkes Anziehen der Schraube führt zu einer Beschädigung des Laufbandes.

2. Überprüfen Sie erneut die Ausrichtung des Laufbandes, indem Sie die Schritte unter Laufband wiederholen: Prüfen der Ausrichtung des Laufbandes.

Anmerkung: Der Laufgurt-Abweichung wird nicht durch die Garantie abgedeckt und wird hauptsächlich von Benutzern gemäß den Anweisungen gewartet und instand gehalten. Die Abweichung wird den Laufriemen ernsthaft beschädigen und seine Lebensdauer beeinträchtigen. Bitte korrigieren Sie rechtzeitig, wenn sie auftritt.

7. Technische Parameter

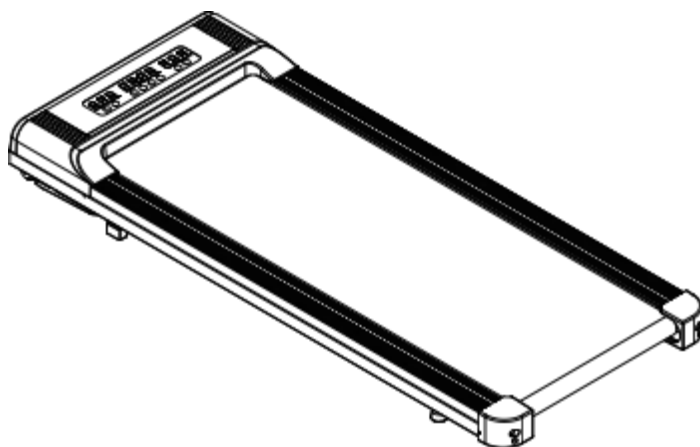
Typen	Q2
Betriebsspannung	220-240V 50-60Hz
Maximale Belastung	130KG
Umrissabmessungen	1255*57.5*1060MM
Effektive Lauffläche	1070*40MM
Motor-Spitzenleistung	3.0HP
Kontinuierliche Ausgangsleistung	1.0HP
Drehzahl	1-10km/h
Funktionen	Gehen/Laufen
Schutzgrad gegen elektrischen Schlag	Stufe I

8. Fehlersuche

Fehlercode	Fehler	Fehlerbeurteilung	Lösung
E6	Motorschutz gegen Überspannung	<ol style="list-style-type: none"> 1. Das Stromnetz oder die Spannung des Benutzers ist instabil, und die Spitzenspannung ist zu hoch; 2. Der Wert des Raddurchmessers wurde falsch eingestellt; 3. Schaden am Controller; 	<ol style="list-style-type: none"> 1. Fügen Sie einen externen Filterregler hinzu; 2. Stellen Sie den Raddurchmesser neu ein, so dass die Nennspannung des Motors nicht überschritten wird; 3. Ersetzen Sie den Controller;
E5	Überstromschutz	<ol style="list-style-type: none"> 1. Übermäßige Belastung; 2. Der Motor oder die Rolle ist mit Fremdkörpern verklemt; 3. Die Walze ist nicht ausreichend geschmiert, und der Widerstand nimmt zu; 4. Der Motor ist beschädigt und der Widerstand erhöht sich; 	<ol style="list-style-type: none"> 1. Reduzieren Sie die Last und versuchen Sie, die Nennlast nicht zu überschreiten; 2. Entfernen Sie den feststehenden Gegenstand; 3. Schmiermittel hinzufügen; 4. Ersetzen Sie den Motor;
E2	Motor beschädigt	<ol style="list-style-type: none"> 1. Das Motorkabel ist nicht angeschlossen oder ist lose; 2. Der Motor ist beschädigt; 3. Die Steuerung ist beschädigt; 	<ol style="list-style-type: none"> 1. Verstärken Sie das Motorkabel; 2. Ersetzen Sie den Motor; 3. Ersetzen Sie die Steuerung;
E1	Verbindungsfehler	<ol style="list-style-type: none"> 1. Die Schnittstelle der oberen und unteren Steuerhauptverbindungsleitungen ist lose; 2. Die Hauptverbindungsleitung der oberen und unteren Steuerung ist beschädigt; 3. Der Monitor ist beschädigt; 4. Die Steuerung ist beschädigt; 	<ol style="list-style-type: none"> 1. Verstärken Sie die Kabelschnittstelle; 2. Das Hauptverbindungskabel der oberen und unteren Steuerung ersetzen; 3. Den Monitor austauschen; 4. Den Controller austauschen;

Tapis Roulant Manuale

Modello: Q2



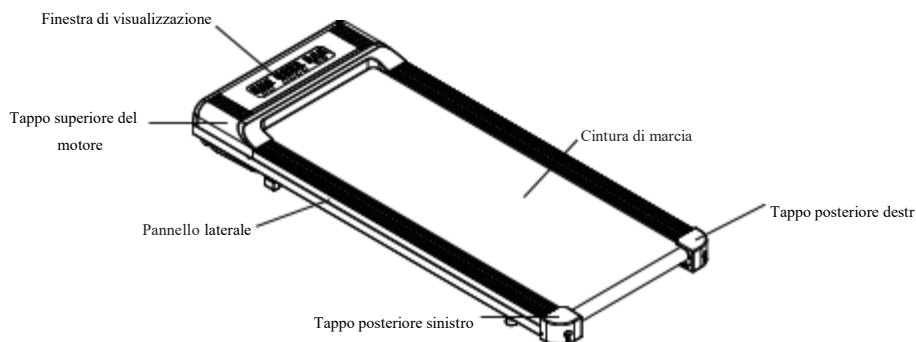
Contenuti

Informazioni sul prodotto	17
Precauzioni di sicurezza e avvertenze	18-19
Istruzioni per l'installazione	20
Suggerimenti e linee guida per l'esercizio	21
Istruzioni per il prodotto	21-22
Manutenzione del prodotto	22-23
Parametri tecnici	24
Risoluzione dei problemi	24

1. Informazioni sul prodotto

I nomi di tutte le parti del modello sono riportati di seguito:

Attenzione



Nota:

Prima del montaggio, consultare attentamente le istruzioni di montaggio. Se si verificano ancora difficoltà di montaggio, rivolgersi al nostro servizio clienti.

Se il prodotto si guasta a causa di attività umane improprie e di un montaggio forzato, non si accettano restituzioni e sostituzioni!

Restituire e sostituire la merce insieme ai prodotti principali e agli accessori secondo le modalità dell'imballaggio originale. In caso di fattore umano, le parti mancanti (scatole esterne o pezzi di ricambio) devono essere risarcite in base al prezzo originale.

Per garantire la vostra sicurezza, quando la macchina è in funzione, è severamente vietato muovere o spostare il corpo della macchina a piacimento, per evitare di pizzicare accidentalmente le dita o il corpo. Non ci riteniamo responsabili di un uso improprio.

Area di sicurezza: 1000 mm *1000 mm dietro il dispositivo, 500 mm a sinistra e a destra del dispositivo.

Elenco degli imballaggi

No.	Articolo	Unità	Quantità
1	Corpo principale	set	1
2	Olio di silicone in bottiglia	bottiglia	1
3	Chiave a brugola	set	1
4	Telecomando	set	1
5	Manuale d'istruzione	copia	1

Leggere attentamente il presente manuale prima di utilizzarlo.

Conservare questo manuale per l'uso. L'aspetto, colore o il modello di superficie del prodotto sono soggetti alle condizioni reali. I nostri prodotti sono costantemente aggiornati e soggetti a modifiche senza preavviso.

2 . Precauzioni di sicurezza e avvertenze

Nota: prima dell'uso, leggere attentamente il manuale e prestare attenzione alle seguenti precauzioni di sicurezza.

- Questa macchina deve essere collocata in ambienti chiusi per evitare di essere colpita dall'umidità. Non è possibile spruzzare acqua e non è possibile collocare corpi estranei.
- Prima dell'esercizio, indossare abbigliamento sportivo e scarpe da ginnastica adeguate. È severamente vietato qualsiasi movimento o stiramento a piedi nudi.
- La spina di alimentazione deve avere una messa a terra affidabile e la presa deve avere un circuito speciale per evitare la condivisione con altre apparecchiature elettriche.
- I bambini dovrebbero stare lontani dalla macchina per evitare incidenti.
- È necessario evitare il funzionamento in sovraccarico per lungo tempo, altrimenti il motore e il controllore si danneggiano e l'usura e l'invecchiamento del cuscinetto, della cinghia di scorrimento e della piastra di scorrimento si accelerano.
- Ridurre la polvere negli ambienti interni, mantenere una certa umidità ed evitare una forte elettricità statica, altrimenti potrebbe interferire con il normale funzionamento del misuratore elettronico e del controller.
- Spegnerla la macchina dopo l'uso.
- Durante il movimento, bloccare il cavo della chiave di sicurezza sui vestiti per garantire uno spegnimento sicuro in caso di emergenza.
- Se durante l'uso si avvertono malesseri o anomalie, interrompere l'esercizio e consultare il medico.
- Dopo l'uso, l'olio di silicone deve essere conservato in un luogo non accessibile ai bambini per evitare gravi conseguenze dovute all'ingestione.

Attenzione: Al fine di ridurre gli incidenti o le lesioni alle persone, osservare le seguenti norme:

- Non indossare abiti che possano essere facilmente agganciati dalla macchina.
- Tenere il cavo di alimentazione lontano da oggetti caldi.
- Tenere i bambini lontani dalla macchina.
- Non utilizzare la macchina all'aperto.
- Prima di spostare la macchina è necessario staccare la corrente.
- Non è consentito ai non addetti ai lavori smontare la macchina senza autorizzazione, pena gravi conseguenze.
- Questa macchina può essere utilizzata solo su circuiti da 20 ampere.
- Solo una persona può salire sulla macchina quando questa è in funzione.
- Se si avvertono vertigini, dolori al petto, nausea o mancanza di respiro, interrompere immediatamente l'esercizio e consultare un medico.

Attenzione! Attenzione!

Se siete in cura da un medico o i seguenti pazienti, consultate un medico specialista.

- (1) Coloro che soffrono di dolore alla vita o che in passato hanno subito lesioni alle gambe, alla vita e al collo. Intorpidimento di gambe, vita, collo e mani (malattie croniche come ernia del disco, protrusione della vertebra cervicale, ecc.)
- (2) Artrite deformante, reumatismi e gotta
- (3) Abnormal osteoporosis.
- (4) Persone con disturbi circolatori (malattie cardiache, disturbi vascolari, ipertensione, ecc.).
- (5) Disfunzioni degli organi respiratori.
- (6) Strumenti medici elettronici impiantabili che utilizzano regolatori artificiali della frequenza cardiaca.
- (7) Pazienti con tumori maligni.
- (8) Pazienti con trombosi o gravi lipomi, disturbi della circolazione sanguigna o varie infezioni cutanee e altri sintomi.
- (9) Persone con disturbi percettivi causati da disturbi della circolazione periferica elevata, come il diabete.
- (10) Persone con traumi cutanei.
- (11) Persone con febbre alta (38 gradi o più) dovuta a malattie, ecc.
- (12) Ossa dorsali anomale o curve.
- (13) Persone in stato di gravidanza o che potrebbero esserlo in periodo mestruale.
- (14) Chi si sente anormale e ha bisogno di riposo.
- (15) Persone in evidenti condizioni fisiche precarie.
- (16) A scopo di riabilitazione.
- (17) Oltre alle situazioni di cui sopra, le persone si sentono anormali nel loro corpo. Può essere causa di incidenti o di cattiva salute.

◆ Se si avvertono dolore alla vita, intorpidimento delle gambe e dei piedi, vertigini, battito cardiaco e altri dolori fisici diversi dal solito o sensazioni anomale causate dalla coordinazione durante l'esercizio fisico, interrompere immediatamente l'uso e consultare un medico.

Non lasciare che i bambini usino questo prodotto e non lasciare che i bambini giochino con questo prodotto.

— —L'inosservanza di questa norma può provocare lesioni.

◆ Assicurarsi che non vi siano persone o animali domestici nelle vicinanze (parte posteriore, inferiore e anteriore del prodotto) durante l'uso o quando si carica e si estrae il prodotto o lo si fa scorrere.

Vietato!

◆ Non utilizzarlo quando il guscio è incrinato, rotto o staccato (la struttura interna fuoriesce) o quando la parte saldata è staccata. — —In caso contrario, potrebbero verificarsi incidenti o lesioni.

◆ Non saltare su o giù durante l'esercizio. — —Le cadute possono provocare lesioni.

◆ Non utilizzare o conservare l'apparecchio in luoghi umidi, ad esempio all'aperto, in prossimità di bagni o di luoghi soggetti a gocciolamento d'acqua.

◆ Non utilizzare o conservare l'apparecchio in luoghi esposti alla luce diretta del sole, in luoghi con temperature elevate, ad esempio in prossimità di stufe e di apparecchi di riscaldamento come tappeti elettrici.

— —No può causare perdite di elettricità e incendi.

◆ Non utilizzare il cavo di alimentazione o la spina se sono danneggiati o se la presa è allentata, altrimenti potrebbero verificarsi scosse elettriche, cortocircuiti e incendi.

◆ Non danneggiare o piegare o torcere con forza il cavo di alimentazione. Allo stesso tempo, non collocare oggetti pesanti su di esso e non afferrare il cavo. — —La mancata osservanza di questa precauzione può provocare incendi o scosse elettriche.

◆ Non utilizzare l'apparecchio in due o più persone contemporaneamente e fare attenzione a non far avvicinare le persone intorno a voi durante l'uso. — —In caso contrario, potrebbero verificarsi incidenti o lesioni dovuti a cadute.

◆ Non utilizzare l'apparecchio se non si è in grado di esprimere la propria consapevolezza o se non si è in grado di utilizzarlo.

— —Si possono verificare incidenti o lesioni.

Evitare il contatto con l'acqua!

Non inzuppare il corpo principale o la parte operativa con acqua o bevande.

— —Può provocare scosse elettriche e incendi.

Vietato!

◆ Le persone che non fanno attività fisica normalmente non dovrebbero praticare sport violenti all'improvviso.

◆ Non utilizzare il prodotto dopo aver mangiato, quando si è stanchi, quando si è appena fatto esercizio fisico o quando le condizioni fisiche sono anormali. — —Può causare danni alla salute.

◆ Questo prodotto è adatto all'uso familiare, non a scuole, palestre e altri luoghi non specificati con un gran numero di persone. — —C'è il rischio di lesioni.

Non utilizzarlo mentre si mangia o si svolgono altre attività.

◆ Non usarlo quando ci si sente fiacchi dopo aver bevuto.

— —Può causare incidenti o lesioni.

◆ Non utilizzarlo in presenza di oggetti duri nella tasca dei pantaloni. — —Può causare incidenti o lesioni.

◆ Non utilizzare l'apparecchio con le mani bagnate!

◆ Non utilizzare le mani bagnate per estrarre o inserire la spina di alimentazione. — —Può provocare scosse elettriche e lesioni.

Estrarre la spina di alimentazione!

◆ Quando non si usa, estrarre la spina dalla presa di corrente.

— —Perché la polvere e l'umidità deteriorano l'isolamento, con conseguente rischio di incendio da perdita!

◆ Il prodotto deve essere messo a terra. In caso di malfunzionamento della macchina, la messa a terra fornirà il canale con la minore resistenza alla corrente, in modo da ridurre il rischio di scosse elettriche.

◆ Il prodotto è dotato di un alimentatore con conduttore di messa a terra e spina di messa a terra. La spina deve essere inserita in una presa adeguata che sia stata installata e messa a terra correttamente in conformità alle leggi e alle normative locali.

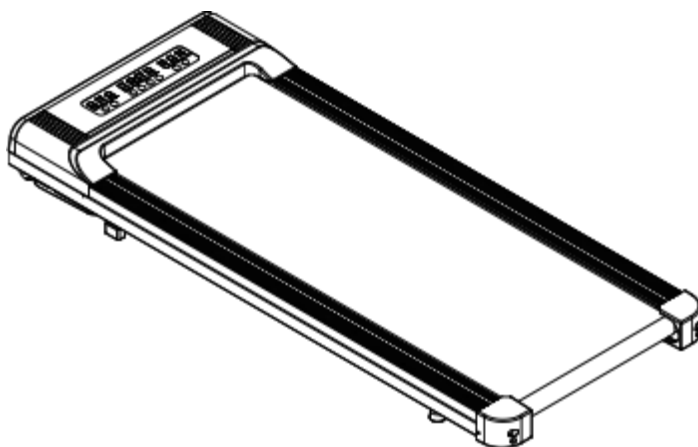
PERICOLO!

◆ Se il conduttore di messa a terra dell'apparecchiatura non è collegato correttamente, è possibile che si verifichi una scossa elettrica. In caso di dubbi sulla correttezza della messa a terra del prodotto, affidare il controllo a un elettricista professionista. Anche se la spina collegata al prodotto non corrisponde alla presa, non può essere modificata. Affidare a un elettricista professionista l'installazione di una presa adeguata.

3 . Istruzioni per l'installazione

Passo 1.

Aprire la confezione,
estrarre il materiale di montaggio dalla scatola,
e appoggiare la parte principale a terra.



Attenzione:

se il tapis roulant oscilla,
regolare due manopole sotto la base del tapis roulant.

4 . Suggerimenti e linee guida per l'esercizio

Riscaldamento

5-10 minuti di riscaldamento prima di ogni utilizzo della macchina.

Respirazione

Non schermare la respirazione durante l'esercizio. La respirazione e l'azione devono essere coordinate. Se la respirazione è troppo veloce, interrompere immediatamente l'esercizio.

Frequenza

La stessa parte del muscolo deve essere allenata a 48 ore di riposo, cioè ogni due giorni per allenare la stessa parte.

Carico

Il peso dell'allenamento viene determinato in base allo stato di allenamento fisico individuale, quindi l'allenamento viene eseguito secondo il principio del carico graduale. Durante l'allenamento iniziale, il dolore muscolare è un fenomeno normale. Finché l'allenamento prosegue, il dolore può essere eliminato.

Dieta

Per proteggere l'apparato digerente, l'esercizio può essere svolto un'ora dopo i pasti. Dopo l'allenamento, mangiare almeno mezz'ora dopo. Bere meno acqua durante l'esercizio, per non aumentare il carico sul cuore e sui reni.

Esercizio di stretching

Indipendentemente dalla velocità della corsa, è meglio fare stretching prima. I muscoli caldi sono più facili da allungare perché 5-10 minuti di riscaldamento. Quindi fermatevi e fate cinque allungamenti come segue, per ogni gamba. Fatelo per 10 secondi o più alla volta e ripetetelo alla fine dell'allenamento.

1. Stretching verso il basso

Piegare leggermente le ginocchia, abbassarsi lentamente, rilassare la schiena e le spalle e fare le mani.

2. Stretching degli arti inferiori

Sedersi su un cuscino pulito e raddrizzare una gamba. Inserire l'altra gamba.

Tenetela vicino all'interno della gamba tesa e cercate di toccare le dita dei piedi con le mani; tenetela per 10-15 secondi, poi rilassatela e ripetete 3 volte per ogni gamba (vedi Figura 2).

3. Allungamento del tendine del polpaccio e del tallone

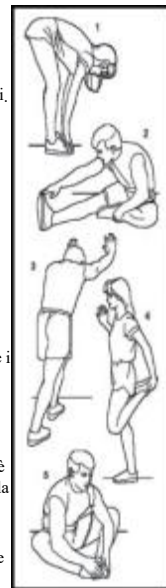
Mettetevi in piedi con due mani sulla parete o sul tavolo e un piede dietro. Mantenere le gambe posteriori erette e i talloni a terra, sporgersi verso la parete o il tavolo, tenere premuto per 10-15 secondi, quindi rilassarsi e ripetere tre volte per ogni gamba. (vedi Figura 3)

4. Allungamento dei muscoli della testa

Mantenere l'equilibrio con la mano destra sulla parete o sul tavolo, quindi allungare la mano sinistra all'indietro, afferrare la caviglia sinistra e tirarla lentamente verso l'anca fino a quando si sente che il muscolo davanti alla coscia è molto teso, sinistra, afferrare la caviglia e tirarla lentamente verso l'anca finché non si sente che il muscolo davanti alla coscia è molto teso. per circa 10-15 secondi, poi rilassatevi e ripetete 3 volte per ogni gamba (vedi Figura 4).

5. Allungamento del muscolo Sartorio (muscolo interno della coscia)

Con i piedi rivolti l'uno verso l'altro, sedersi con le ginocchia rivolte verso l'esterno, afferrare i piedi con entrambe le mani e tirarli verso il solco ventrale, tenere la scrofola per 10-15 secondi, quindi rilassarsi e ripetere 3 volte. (vedi Figura 5)



5 . Istruzioni per il prodotto

(I) Finestra e tasti Descrizione:

La finestra LED visualizza le seguenti funzioni:

A. Finestra della velocità: Q2 visualizza la gamma di velocità: 1-10km/h

(II) Profilo

Le funzioni dell'orologio elettronico

Il controllo a distanza

Utilizzare la funzione del lucchetto di sicurezza:

Posizionare la parte di assorbimento ferromagnetico della cintura di sicurezza nell'area gialla, utilizzare la toppa dell'armadietto e agganciarla alla parte anteriore dei vestiti.

• Arrestare il tapis roulant con la funzione di arresto di emergenza se l'alimentazione è attiva e il blocco di sicurezza è corretto.

(III) Breve introduzione

Funzioni di questo misuratore elettronico

• Funzione di controllo remoto

(IV) Descrizione del display a LED

Contenuto del display a LED:

- Visualizzazione della velocità
- Visualizzazione delle calorie
- Visualizzazione dell'ora

La finestra commuta la velocità, le calorie, il tempo, visualizzandoli ogni 5 secondi.

(V) Descrizione della funzione del tasto del telecomando

Tasto funzione della tastiera remota:

- Tasto di avvio/arresto
- velocità + tasto
- velocità - tasto

(VI) Istruzioni per l'uso e la funzione del pulsante del telecomando

1. Tasto di avvio/arresto: premere l'interruttore di alimentazione del tapis roulant e premere il tasto di avvio/arresto sul telecomando quando si sente un segnale acustico dal cicalino.

Per iniziare a correre, fermare il tapis roulant e premere il tasto di avvio/arresto sul telecomando per spegnere il tapis roulant.

2. Tasto velocità+: per accelerare il tapis roulant quando è in funzione, premere il tasto velocità+ sul telecomando per aumentare la velocità del tapis roulant. 3. Tasto velocità-: quando il tapis roulant è in funzione, premere il tasto velocità sul telecomando per ridurre la velocità del tapis roulant.

6. Manutenzione del prodotto

1. Lubrificazione

Dopo aver utilizzato il nastro di corsa per un certo periodo di tempo, è necessario aggiungere olio per tapis roulant per evitare di scivolare.

Il tempo di lubrificazione consigliato è:

Quando si utilizza la macchina da corsa per più di 300 chilometri, aggiungere un po' di olio.

Nota: non aggiungere ogni volta una dose eccessiva.

2. Controllare se è necessaria la lubrificazione

Afferrare la cinghia di trasmissione e toccare il più possibile l'area centrale posteriore della cinghia di trasmissione. Se sulla cinghia è presente olio di silicone, significa che non è necessario lubrificarla. Se si sente che la tavola di scorrimento è asciutta e non c'è olio di silicone sulla mano, è necessario aggiungere olio e lubrificare la tavola.

Misurare la posizione centrale del nastro di corsa (fare riferimento alla figura a destra) e spruzzare olio al silicone all'interno del nastro di corsa. Successivamente, far girare il tapis roulant a una velocità di 1 km per spalmare uniformemente l'olio di silicone e accendere il nastro di corsa da sinistra a destra. Dopo circa un minuto, l'olio di silicone verrà assorbito dal nastro di corsa.

3. Regolazione elastica del nastro di corsa

Tutti i tapis roulant hanno regolato la tensione del nastro di corsa prima di lasciare la fabbrica, ma dopo un periodo di utilizzo il nastro di corsa si allenta ancora. di utilizzo, il nastro di corsa sarà ancora allentato. La forma specifica di espressione è: corsa in uso normale con un fenomeno di slittamento dell'arresto. In questo caso, regolare la cinghia di scorrimento regolando il bullone a sinistra e a destra in modo sincrono, secondo la direzione oraria con mezzo cerchio come unità.

Nota: durante la regolazione della cinghia di trasmissione, non è consentito regolare la cinghia di trasmissione in modo troppo stretto, il che sarà soggetto al normale utilizzo della macchina. deve essere soggetta al normale utilizzo della cinghia di trasmissione senza slittare. Se la cinghia di scorrimento è regolata troppo stretta, l'invecchiamento della cinghia di scorrimento sarà accelerato, il carico del motore sarà aumentato e la durata del cuscinetto sarà ridotta.

4. Regolazione della deviazione del nastro di corsa

Tutti i tapis roulant hanno regolato la deviazione del nastro di corsa prima di lasciare la fabbrica, ma dopo un periodo di utilizzo può verificarsi una deviazione del nastro di corsa, causata dalle seguenti situazioni:

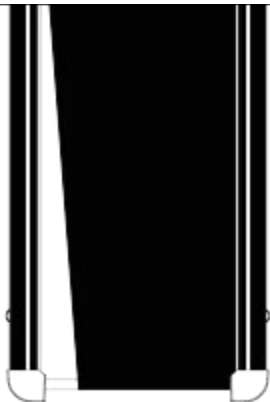
- (1) la parte principale non è posizionata in modo stabile.
- (2) i piedi dell'utente non si trovano al centro del nastro di corsa durante l'esercizio.
- (3) forza non uniforme sui piedi dell'utente.

La deviazione causata da fattori umani tornerà automaticamente alla normalità dopo alcuni minuti di funzionamento vuoto. Per alcuni fenomeni di deviazione che non possono essere recuperati automaticamente, regolare la vite di regolazione della cinghia.

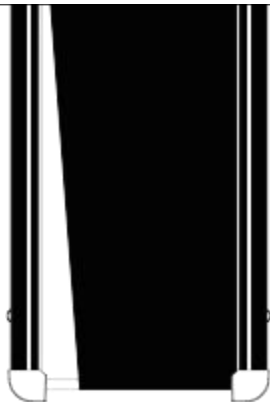


L'operazione specifica è la seguente:

fuori dal centro a SINISTRA



fuori centro a DESTRA



Per determinare la destra e la sinistra, posizionarsi sul retro del tapis roulant e guardare il display. Effettuare tutte le regolazioni del nastro sul bullone posteriore utilizzando la chiave esagonale in dotazione.

Se la cinghia è decentrata a SINISTRA,

ruotare il bullone di regolazione sinistro di $\frac{1}{4}$ di giro in senso orario

o il bullone di regolazione destro di $\frac{1}{4}$ di giro in senso antiorario

che sposta la cinghia di trasmissione verso destra.

Se la cinghia è decentrata a DESTRA,

ruotare il bullone di regolazione sinistro di $\frac{1}{4}$ di giro in senso antiorario

o il bullone di regolazione destro di $\frac{1}{4}$ di giro in senso orario

che sposta la cinghia di scorrimento verso sinistra.

Importante:

1. Non girare il bullone di regolazione per più di $\frac{1}{4}$ di giro alla volta.

Un serraggio eccessivo del bullone danneggia il tapis roulant.

2. Ricontrollare l'allineamento del nastro di corsa ripetendo le operazioni descritte in Tapis roulant: Controllo dell'allineamento del nastro di corsa.

Nota: la deviazione della cinghia di trasmissione non è coperta da garanzia, e deve essere mantenuta e curata principalmente dagli utenti secondo le istruzioni. La deviazione danneggia gravemente la cinghia di scorrimento e ne compromette la durata.

Si prega di regolare in tempo quando si verifica.

7 . Parametri tecnici

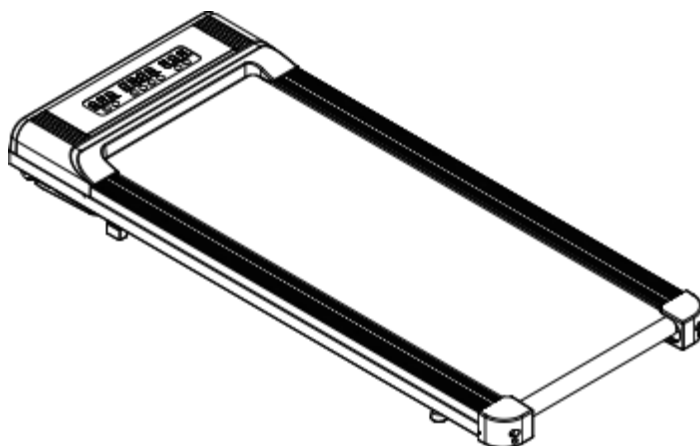
Tipi	Q2
Tensione di esercizio	220-240V 50-60Hz
Carico massimo	130KG
Dimensioni di ingombro	1255*57.5*1060MM
Area di funzionamento effettiva	1070*40MM
Potenza di picco del motore	3.0HP
Potenza di uscita continua	1.0HP
Velocità	1-10km/h
Funzioni	Camminare/correre
Livello di protezione contro le scosse elettriche	Livello I

8 . Risoluzione dei problemi

Codice di errore	Errore	Giudizio sull'errore	Soluzione
E6	Motore protezione da sovratensione	<ol style="list-style-type: none"> 1. La rete elettrica o la tensione dell'utente sono instabili e la tensione di picco è troppo alta; 2. Il valore del diametro della ruota è stato impostato in modo errato; 3. Danno al controller; 	<ol style="list-style-type: none"> 1. Aggiungere un filtro regolatore esterno; 2. Impostare nuovamente il valore del diametro della ruota in modo da non superare la tensione nominale del motore; 3. Sostituire il regolatore;
E5	Protezione da sovracorrente	<ol style="list-style-type: none"> 1. Carico eccessivo; 2. Il motore o il rullo sono bloccati da oggetti estranei; 3. Il rullo non è sufficientemente lubrificato e la resistenza aumenta; 4. Il motore è danneggiato e la resistenza aumenta; 	<ol style="list-style-type: none"> 1. Ridurre il carico e cercare di non superare il carico nominale; 2. Rimuovere l'oggetto incastrato; 3. Aggiungere lubrificante; 4. Sostituire il motore;
E2	Motore danneggiato	<ol style="list-style-type: none"> 1. Il filo del motore non è collegato o è allentato; 2. Il motore è danneggiato; 3. Il controller è danneggiato; 	<ol style="list-style-type: none"> 1. Rinforzare il cavo del motore; 2. Sostituire il motore; 3. Sostituire il controller;
E1	Connessione errore	<ol style="list-style-type: none"> 1. L'interfaccia delle linee di collegamento principali di controllo superiori e inferiori è allentata; 2. La linea di collegamento principale del comando superiore e inferiore è danneggiata; 3. Il monitor è danneggiato; 4. Il controller è danneggiato; 	<ol style="list-style-type: none"> 1. Rinforzare l'interfaccia del cavo; 2. Sostituire il cavo di collegamento principale del comando superiore e inferiore; 3. Sostituire il monitor; 4. Sostituire il controller;

Manual de la cinta de correr

Modelo: Q2



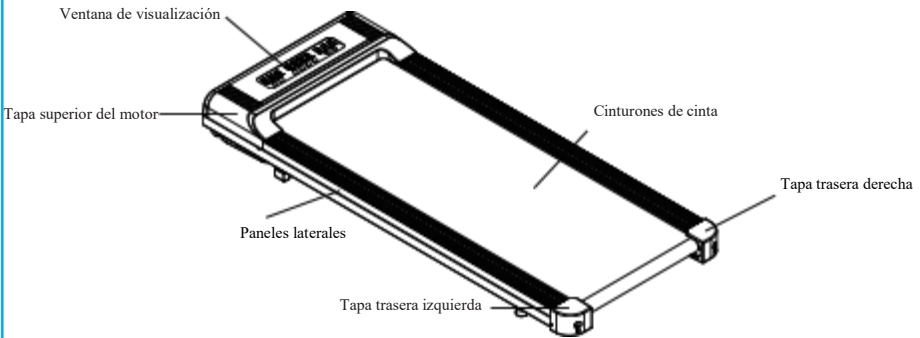
Contenido

Acerca del producto	25
Precauciones de seguridad e instrucciones de advertencia ...	26-28
Instrucciones de instalación	28
Sugerencias y directrices para el ejercicio	29
Instrucciones sobre el producto	29-30
Mantenimiento del producto	30-31
Parámetros técnicos	32
Resolución de problemas	32

1 . Acerca del producto

Los nombres de todas las piezas del modelo son los siguientes:

Precaución



Nota:

Antes del montaje, consulte atentamente las instrucciones de montaje. Si sigue habiendo dificultades de montaje, consulte a nuestro servicio de atención al cliente.

Si el producto falla debido a actividades humanas inadecuadas y a un montaje forzado, ¡no se aceptan devoluciones ni cambios!

Devuelva y cambie el producto junto con la mercancía principal y los accesorios siguiendo el método de embalaje original. Si hay algún factor humano, las piezas que falten (cajas exteriores o piezas de repuesto) deberán compensarse de acuerdo con el precio original.

Para garantizar su seguridad, cuando la máquina esté en funcionamiento, está estrictamente prohibido mover o desplazar el cuerpo de la máquina a voluntad, para evitar pellizcarse accidentalmente los dedos o el cuerpo. No nos hacemos responsables del uso indebido.

Área de seguridad: 1000mm *1000mm detrás del aparato, 500mm a izquierda y derecha del aparato.

Lista de embalaje

No.	Artículo	Unidad	Cantidad
1	Cuerpo principal	juego	1
2	Aceite de silicona embotellado	botella	1
3	Llave Allen	juego	1
4	remote control	juego	1
5	manual de instrucciones	copias	1

Lea atentamente este manual antes de utilizarlo.

Conserve este manual para su uso. El aspecto,

el color o el diseño de la superficie del producto estarán sujetos a las condiciones reales.

Nuestros productos se actualizan constantemente y están sujetos a cambios sin previo aviso.

2 . Precauciones de seguridad e instrucciones de advertencia

Nota: lea atentamente el manual antes de utilizar la máquina y preste atención a las siguientes precauciones de seguridad.

- Esta máquina es adecuada para ser colocada en interiores para evitar que se vea afectada por la humedad. No se le puede salpicar agua ni colocar materias extrañas.
- Antes de hacer ejercicio, póngase ropa deportiva adecuada y zapatillas de deporte. Cualquier movimiento o estiramiento de los pies descalzos está estrictamente prohibido.
- El enchufe de alimentación debe estar conectado a tierra de forma fiable, y la toma de corriente debe tener un circuito especial para evitar que se comparta con otros equipos eléctricos.
- Los niños deben mantenerse alejados de la máquina para evitar accidentes.
- Es necesario evitar el funcionamiento con sobrecarga durante mucho tiempo, de lo contrario se dañarán el motor y el controlador, se acelerará el desgaste y el envejecimiento del cojinete, la correa de rodadura y la placa de rodadura.
- Reduzca el polvo interior, mantenga cierta humedad y evite la electricidad estática fuerte, de lo contrario puede interferir con el funcionamiento normal del medidor electrónico y el controlador.
- Por favor, desconecte la alimentación de la máquina después de su uso.
- Durante el movimiento, por favor sujete el cable de la llave de seguridad en la ropa para garantizar un apagado seguro en caso de emergencia.
- Si se siente incómodo o anormal durante el uso, por favor deje de hacer ejercicio y consulte a su médico.
- Después del uso del aceite de silicona, debe guardarse en un lugar no accesible a los niños para evitar graves consecuencias causadas por la ingestión.

Advertencia: Con el fin de reducir accidentes o lesiones a terceros, por favor observe las siguientes normas:

- No lleve ropa que se enganche fácilmente con la máquina.
- Mantenga el cable de alimentación alejado de objetos calientes.
- Mantenga a los niños alejados de la máquina.
- No utilice la máquina al aire libre.
- La máquina debe desconectarse antes de moverla.
- No está permitido el desmontaje no autorizado de la máquina por personal no profesional, de lo contrario pueden producirse graves consecuencias.
- Esta máquina sólo debe utilizarse en circuitos de 20 amperios.
- Sólo una persona puede estar de pie sobre la máquina cuando se pone en marcha.
- Si experimenta mareos, dolor en el pecho, náuseas o dificultad para respirar, deje de hacer ejercicio inmediatamente y consulte a un médico.

Aviso! Atención!

Si está bajo tratamiento médico o los siguientes pacientes, consulte con un médico especialista.

- (1) Los que padecen dolor de cintura o los que han sufrido lesiones en las piernas, la cintura y el cuello en el pasado. Entumecimiento de piernas, cintura, cuello y manos (enfermedades crónicas como hernia discal, protrusión de vértebras cervicales, etc.).
- (2) Enfermos de artritis deformante, reumatismo y gota.
- (3) Osteoporosis anormal.
- (4) Personas con trastornos circulatorios (cardiopatías, trastornos vasculares, hipertensión, etc.).
- (5) Disfunción de órganos respiratorios.
- (6) Instrumentos médicos electrónicos implantables que utilizan reguladores artificiales del ritmo cardíaco.
- (7) Pacientes con tumores malignos.
- (8) Personas con trombosis o lipomas graves, trastornos de la circulación sanguínea o diversas infecciones cutáneas y otros síntomas.
- (9) Personas con trastornos perceptivos causados por trastornos de la circulación periférica alta, como la diabetes.
- (10) Personas con traumatismos cutáneos.
- (11) Personas con fiebre alta (38 grados o más) debido a enfermedad, etc.
- (12) Dorsales anormales o curvados.
- (13) Las que estén embarazadas o puedan estarlo o estén en periodo menstrual.
- (14) Quienes se sientan anormales y necesiten reposo.
- (15) Los que se encuentren en evidente mal estado físico.
- (16) Con fines de rehabilitación.
- (17) Además de las situaciones anteriores, las personas se sienten anormales en su cuerpo. Puede dar lugar a accidentes o a una mala salud.

◆ Cuando sienta dolor de cintura, entumecimiento de piernas, y pies, mareos, palpitaciones y otros dolores físicos diferentes de los habituales o sensaciones anormales causadas por la coordinación durante el ejercicio, deje de usarlo inmediatamente y consulte a un médico.

No deje que los niños utilicen este producto ni que jueguen con él.

— Su incumplimiento puede provocar lesiones.

◆ Asegúrese de que no haya personas ni animales domésticos alrededor (partes trasera, inferior y delantera del producto) durante el uso, o al cargar y sacar el producto o deslizarlo.

Prohibido!

◆ No lo utilice cuando la carcasa esté agrietada, rota o desprendida (la estructura interna tiene fugas) o cuando la parte soldada esté desprendida. — De lo contrario, pueden producirse accidentes o lesiones.

◆ No salte durante el ejercicio. — Pueden producirse lesiones por caídas.

◆ No lo utilice ni lo guarde en lugares húmedos, como al aire libre y cerca de cuartos de baño y lugares propensos al goteo de agua.

◆ No lo utilice ni lo guarde en lugares con luz solar directa, lugares con altas temperaturas como alrededor de estufas, y aparatos de calefacción como alfombras eléctricas de calefacción.

— De lo contrario, podrían producirse fugas eléctricas e incendios.

◆ No utilice el cable de alimentación ni el enchufe si están dañados o si la toma de corriente está floja; de lo contrario, podría producirse una descarga eléctrica, un cortocircuito o un incendio.

◆ No dañe ni doble o retuerza a la fuerza el cable de alimentación. Al mismo tiempo, no coloque objetos pesados sobre él y no sujete el cable. — De lo contrario, se producirá un incendio o una descarga eléctrica.

◆ No lo utilicen dos o más personas al mismo tiempo, y tenga cuidado de que no se acerquen personas a su alrededor durante el uso. — De lo contrario, pueden producirse accidentes o lesiones debido a caídas.

◆ No lo utilice si no puede expresar su conciencia o si no sabe manejarlo.

— De lo contrario, pueden producirse accidentes o lesiones.

Evite el contacto con el agua!

No moje el cuerpo principal o la parte de operación con agua o bebida.

— Puede provocar descargas eléctricas e incendios.

Prohibido!

◆ Las personas que no hacen ejercicio normalmente no deben practicar deportes violentos de forma repentina.

◆ No lo utilice después de comer o cuando esté cansado, acabe de hacer ejercicio o su estado físico sea anormal. — Puede causar daños a la salud.

◆ Este producto es adecuado para uso familiar, no para escuelas, gimnasios y otros lugares no especificados con un gran número de personas. — Existe riesgo de lesiones.

No lo utilice mientras come o realiza otras actividades.

◆ Do not use it when you feel sluggish after drinking.

— May cause accident or injury.

◆ No lo utilice cuando se sienta flojo después de beber.

— Puede causar accidentes o lesiones.

◆ No lo utilice con las manos mojadas!

◆ No utilice las manos mojadas para extraer o insertar el enchufe de alimentación. — Puede provocar descargas eléctricas y lesiones.

Extraiga el enchufe de alimentación!

◆ Cuando no utilice el aparato, desenchúfelo de la toma de corriente.

— Porque el polvo y la humedad degradarán el aislamiento, lo que provocará fugas de fuego.

Instrucciones de conexión a tierra!

◆ El producto debe estar conectado a tierra. En caso de mal funcionamiento de la máquina, la conexión a tierra proporcionará el canal con la menor resistencia para la corriente, a fin de reducir el riesgo de descarga eléctrica.

◆ El producto está equipado con una fuente de alimentación con conductor de puesta a tierra del equipo y enchufe de puesta a tierra. El enchufe debe insertarse en una toma de corriente adecuada que haya sido instalada y conectada a tierra correctamente de acuerdo con las leyes y normativas locales.

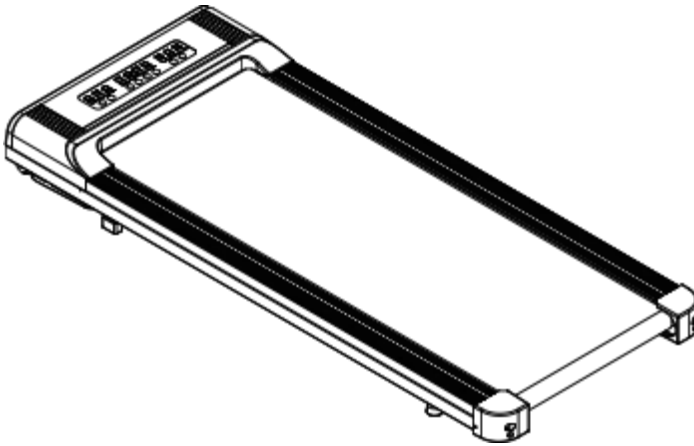
PELIGRO!

◆ Si el conductor de puesta a tierra del equipo no está correctamente conectado, puede producirse una descarga eléctrica. Si tiene alguna duda sobre si la conexión a tierra del producto es correcta, confíe la comprobación a un electricista profesional. Aunque el enchufe conectado al producto no coincida con la toma de corriente, no puede modificarse. Encargue a un electricista profesional la instalación de una toma de corriente adecuada.

3 . Instrucciones de instalación

Paso 1.

Abra el paquete,
saque los materiales de montaje de la caja,
y coloca la parte principal en el suelo.



Atención:

si la cinta de correr se tambalea,
ajuste dos perillas ajustables debajo de la base de la caminadora.

4 . Sugerencias y directrices para el ejercicio

Calentamiento

De 5 a 10 minutos de calentamiento antes de cada uso de la máquina.

Respiración

No bloquee la respiración durante el ejercicio. La respiración y la acción deben estar coordinadas. Si la respiración es demasiado rápida, interrumpe inmediatamente el ejercicio.

Frecuencia

La misma parte del ejercicio muscular debe ser de 48 horas de descanso, es decir, cada dos días para entrenar la misma parte.

Carga

El peso del entrenamiento se determina según el estado de la preparación física individual, y luego el entrenamiento se realiza según el principio de carga gradual. En el entrenamiento inicial, el dolor muscular es un fenómeno normal. Mientras el entrenamiento continúe, el dolor puede eliminarse.

Dieta

Para proteger el sistema digestivo, el ejercicio puede realizarse una hora después de las comidas. Después del entrenamiento, comal menos media hora después. Beba menos agua durante el ejercicio, para no aumentar la carga sobre el corazón y los riñones.

No importa lo rápido que corras, es mejor estirar primero. Los músculos calientes son más fáciles de estirar porque 5- 10 minutos para calentar. A continuación, para y haz cinco estiramientos de la siguiente manera, cada pierna hazlo 10 segundos o más cada vez, y vuelve a hacerlo al final del entrenamiento.

1. Estiramiento hacia abajo

Dobla ligeramente las rodillas, agáchate lentamente, relaja la espalda y los hombros, y haz que tus manos midan y toquen los dedos de los pies, mantén la posición durante 10- 15 segundos, luego relaja, y repite 3 veces. (ver Figura 1)

2. Estiramiento de los isquiotibiales

Siéntate sobre un cojín limpio y estira una pierna. Coloca la otra pierna, mantenla pegada a la parte interior de la pierna estirada e intenta tocar los dedos de los pies con las manos, mantén la posición durante 10- 15 segundos, luego relaja y repite 3 veces con cada pierna. (ver Figura 2)

3. Estiramiento de los tendones de la pantorrilla y el talón

Stand with two hands on the wall or table, one foot behind. Keep back legs upright and heels land, lean towards the wall or table, hold for 10- 15 seconds, then relax, and repeat each leg three times. (see Figure 3)

4. Estiramiento de los músculos de la cabeza

Mantenga el equilibrio con la mano derecha en la pared o en la mesa, luego extiende la mano izquierda hacia atrás, agarre el tobillo izquierdo y tire de él lentamente hasta la cadera. tobillo izquierdo, y tire lentamente hacia arriba hasta la cadera hasta que sienta que el músculo de delante del muslo está muy tenso, tire hacia arriba durante unos 10- 15 segundos, luego relájese, y repita 3 veces para cada pierna (ver Figura 4).

5. Estiramiento del músculo sartorio (músculo del interior del muslo)

Con los pies enfrentados, siéntese con las rodillas hacia fuera, agarre los pies con ambas manos y tire de ellos hacia el surco ventral, mantenga la escrófula durante 10- 15 segundos, luego relaje y repita 3 veces. (véase la figura 5)



5 . Instrucciones sobre el producto

(I) Ventana y teclas Descripción:

La ventana LED muestra las siguientes funciones:

A. Ventana de velocidad: Q2 rango de velocidad de visualización: 1-10km/h

(II) Perfil

Funciones del reloj electrónico

Mando a distancia

Uso de la función de cierre de la caja fuerte:

Coloque la parte de absorción ferromagnética del cinturón de seguridad en la zona amarilla, utilice el accesorio de parche de la taquilla y engánchelo a la parte delantera de la ropa.

•Con la circunstancia de encendido y bloqueo de seguridad en el lugar correcto, detener la cinta de correr con una función de parada repentina.

(III) Breve introducción

Funciones de este medidor electrónico

•Funciones de este medidor electrónico

(IV) Descripción de la pantalla led

Contenido de la pantalla en LED:

- Indicación de velocidad
- Indicación de calorías
- Visualización de la hora

Ventana cambiar velocidad, calorías, tiempo, mostrar cada 5 segundos.

(V) Descripción de la función del botón del mando a distancia

Tecla de función del teclado remoto:

- Tecla de arranque/parada
- velocidad+tecla
- velocidad - tecla

(VI) Instrucciones de funcionamiento y manejo del botón del mando a distancia

1. Tecla de inicio/parada: pulse el interruptor de encendido de la cinta de correr y pulse la tecla de inicio/parada del mando a distancia cuando oiga un pitido del zumbador.

Para empezar a correr, detenga la cinta y pulse la tecla start/stop del mando a distancia para apagar la cinta.

2. Tecla velocidad+: para acelerar la velocidad de la cinta rodante cuando está en marcha, pulse la tecla velocidad+. 3. Tecla de velocidad-: cuando la cinta esté en marcha, pulse la tecla de velocidad del mando a distancia para reducir la velocidad de la cinta.

6 . Mantenimiento del producto

1. Lubricación

Después de utilizar la cinta de correr durante un período de tiempo, es necesario añadir aceite de cinta de correr para evitar el deslizamiento.

El tiempo de lubricación recomendado es:

Cuando utilice la cinta de correr más de 300 kilómetros, por favor añada un poco de aceite.

Nota: no añada demasiada dosis cada vez.

2. Compruebe si es necesario lubricar

Sujete la correa de transmisión y toque el área central trasera de la correa de transmisión tanto como sea posible. Si hay aceite de silicona en la correa, significa que no se necesita lubricación. Si nota que la banda de rodadura está seca y no hay aceite de silicona en la mano, es necesario añadir aceite y lubricar la banda.

Mida la posición central de la cinta de correr (refiérase a la figura de la derecha) y rocíe aceite de silicona en el interior de la cinta de correr.

Después, haga correr la cinta a una velocidad de 1 km para untar uniformemente el aceite de silicona, y encienda la cinta de correr de izquierda a derecha. Al cabo de un minuto, la cinta absorberá el aceite de silicona..

3. Ajuste elástico de la cinta de correr

Todas las cintas de correr tienen ajustada la tensión de la cinta de correr antes de salir de fábrica, pero después de un periodo de uso, la cinta de correr seguirá estando floja. La forma específica de expresión es: corriendo en uso normal con un fenómeno de deslizamiento de parada. Cuando esto ocurra, ajuste la correa de transmisión ajustando el perno a la izquierda y a la derecha de forma sincronizada según el sentido de las agujas del reloj con medio círculo como unidad.

Nota: Al ajustar la correa de transmisión, no se permite ajustar la correa de transmisión demasiado

apretada, la cual debe estar sujeta al uso normal de la correa de transmisión sin deslizamiento. Si la

correa de transmisión se ajusta demasiado apretada, se acelerará el envejecimiento de la correa de transmisión, aumentará la carga del motor y se acortará la vida útil del rodamiento.



4. Ajuste de la desviación de la cinta de correr

Todas las cintas de correr tienen ajustada la desviación de la cinta de correr antes de salir de fábrica, pero después de un período de uso, puede producirse la desviación de la cinta de correr, que puede estar causada por las siguientes situaciones:

- (1) la parte principal no está colocada de forma estable.
- (2) los pies del usuario no están en el centro de la cinta de correr durante el ejercicio.
- (3) fuerza desigual en los pies del usuario..

La desviación causada por factores humanos volverá automáticamente a la normalidad tras varios minutos de

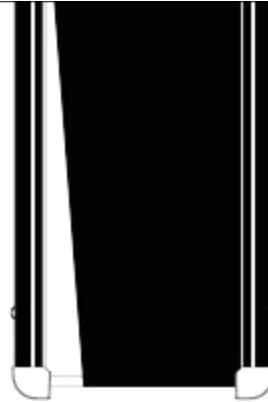
funcionamiento sin carga. Para algunos fenómenos de desviación que no pueden recuperarse automáticamente, ajuste el tornillo de ajuste del cinturón.

La operación específica es la siguiente:

descentrado hacia la IZQUIERDA



descentrado a la DERECHA



Para determinar la izquierda y la derecha, colóquese en la parte trasera de la cinta y mire hacia la pantalla. Realice todos los ajustes de la cinta en el perno trasero con la llave hexagonal suministrada.

Si la correa está descentrada hacia la IZQUIERDA,

gire el perno de ajuste izquierdo $\frac{1}{4}$ de vuelta en el sentido de las agujas del reloj

o el perno de ajuste derecho $\frac{1}{4}$ de vuelta en sentido antihorario

lo que desplaza la cinta de correr hacia la derecha.

Si la correa está descentrada hacia la DERECHA,

gire el perno de ajuste izquierdo $\frac{1}{4}$ de vuelta en sentido antihorario

o el perno de ajuste derecho $\frac{1}{4}$ de vuelta en el sentido de las agujas del reloj

que desplaza la cinta de correr hacia la izquierd.

Importante:

1. No gire el perno de ajuste más de $\frac{1}{4}$ de vuelta cada vez.

Apretar demasiado el perno dañará la cinta de correr.

2. Vuelva a comprobar la alineación de la cinta repitiendo los pasos descritos en Cinta de correr: Comprobación de la alineación de la cinta de correr.

Nota: La desviación de la correa de rodadura no está cubierta por la garantía, y su mantenimiento y conservación corre a cargo principalmente de los usuarios, de acuerdo con las instrucciones. La desviación dañará seriamente la correa de rodadura y afectará a su vida útil. Por favor, ajústela a tiempo cuando se produzca.

7. Parámetros técnicos

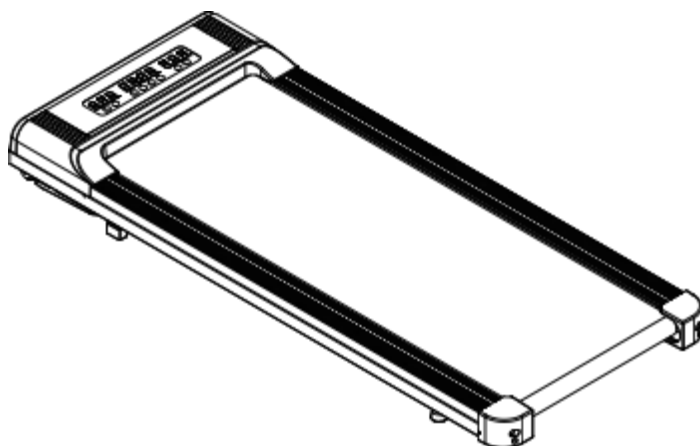
Tipos	Q2
Tensión de funcionamiento	220-240V 50-60Hz
Carga máxima	130KG
Contorno Dimensión	1255*57.5*1060MM
Área efectiva de funcionamiento	1070*40MM
Potencia máxima del motor	3.0HP
Potencia de salida continua	1.0HP
Velocidad	1-10km/h
Funciones	Caminar/correr
Nivel de protección contra descargas eléctricas	Nivel I

8 . Resolución de problemas

Código de error	Error	Juicio de error	Solución
E6	Motor protección contra sobretensión	<ol style="list-style-type: none"> 1. La red eléctrica o la tensión del usuario son inestables y el pico de tensión es demasiado alto; 2. El valor del diámetro de la rueda se ha ajustado incorrectamente; 3. Daños en el controlador; 	<ol style="list-style-type: none"> 1. Añadir un filtro regulador externo; 2. Reajuste el valor del diámetro de la rueda para no superar la tensión nominal del motor; 3. Sustituir el regulador;
E5	Protección contra sobreintensidad	<ol style="list-style-type: none"> 1. Carga excesiva; 2. El motor o el rodillo están atascados con objetos extraños; 3. El rodillo no está suficientemente lubricado y la resistencia aumenta; 4. El motor está dañado y aumenta la resistencia; 	<ol style="list-style-type: none"> 1. Reduzca la carga e intente no superar la carga nominal; 2. Retire el objeto atascado; 3. Añada lubricante; 4. Sustituya el motor;
E2	Motor dañado	<ol style="list-style-type: none"> 1. El cable del motor no está conectado o está suelto; 2. El motor está dañado; 3. El controlador está dañado; 	<ol style="list-style-type: none"> 1. Refuerce el cable del motor; 2. Sustituya el motor; 3. Sustituya el controlador;
E1	Conexión error	<ol style="list-style-type: none"> 1. La interfaz de las líneas de conexión principal de control superior e inferior está suelta; 2. La línea de conexión principal del control superior e inferior está dañada; 3. El monitor está dañado; 4. El controlador está dañado; 	<ol style="list-style-type: none"> 1. Refuerce la interfaz del cable; 2. Sustituir el cable de conexión principal del mando superior e inferior; 3. Sustituya el monitor; 4. Sustituya el controlador;

Manuel du tapis de course

Modèle: Q2



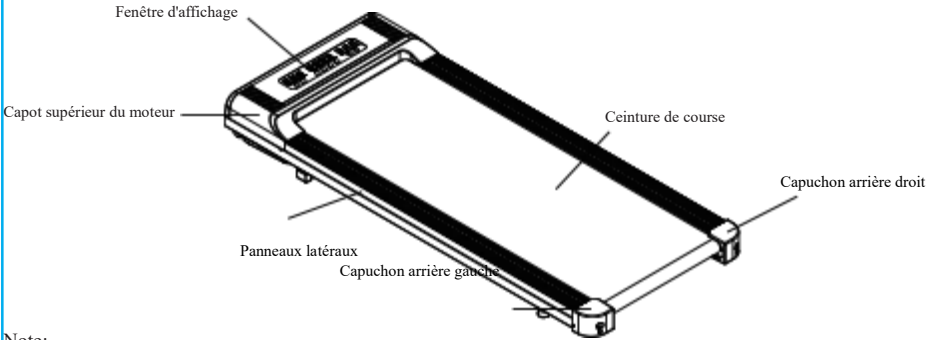
Contenu

À propos du produit	33
Précautions de sécurité et instructions d'avertissement.....	34-36
Instructions d'installation	36
Suggestions d'exercices et directives	37
Instructions relatives au produit	37-38
Entretien du produit	38-39
Paramètres techniques	39
Dépannage	39

1 . À propos du produit

Les noms de toutes les pièces du modèle sont indiqués comme suit:

L'attention



Note:

Avant de procéder à l'assemblage, veuillez consulter attentivement les instructions de montage. Si vous rencontrez encore des difficultés lors de l'assemblage, veuillez contacter notre service clientèle.

Si le produit est défectueux en raison d'activités humaines inappropriées et d'un assemblage forcé, le retour et l'échange ne sont pas acceptés!

Retournez et remplacez les marchandises avec les produits principaux et les accessoires conformément à la méthode d'emballage d'origine. En cas de facteur humain, les pièces manquantes (boîtes extérieures ou pièces de rechange) doivent être remboursées au prix d'origine.

Afin d'assurer votre sécurité, lorsque la machine est en marche, il est strictement interdit de bouger ou de déplacer le corps de la machine à volonté, afin d'éviter de se pincer accidentellement les doigts ou le corps. Nous ne saurions être tenus responsables d'une utilisation inappropriée.

Zone de sécurité : 1000mm *1000mm derrière l'appareil, 500mm sur les côtés gauche et droit de l'appareil.

Liste de colisage

Non.	Article	Unité	Quantité
1	Corps principal	ensemble	1
2	Huile de silicone en bouteille	bouteille	1
3	Clé Allen	ensemble	1
4	télécommande	ensemble	1
5	Manuel d'instruction	copie	1

Veuillez lire attentivement ce manuel avant de l'utiliser.

Conservez ce manuel pour pouvoir l'utiliser. L'apparence, l'aspect, la couleur ou le motif de la surface du produit dépendent des conditions réelles. Nos produits sont constamment mis à jour et peuvent être modifiés sans préavis.

2 . Précautions de sécurité et instructions d'avertissement

Note : veuillez lire attentivement le manuel avant utilisation et faire attention aux précautions de sécurité suivantes.

- Cette machine convient pour être placée à l'intérieur afin d'éviter d'être affectée par l'humidité. Elle ne peut pas être éclaboussée par de l'eau et aucun corps étranger ne peut y être placé.
- Avant de faire de l'exercice, veuillez porter des vêtements de sport et des chaussures de sport appropriés. Tout mouvement ou étirement des pieds nus est strictement interdit.
- La fiche d'alimentation doit être mise à la terre de manière fiable, et la prise doit avoir un circuit spécial pour éviter tout partage avec d'autres appareils électriques.
- Les enfants doivent rester à l'écart de la machine pour éviter tout accident.
- Il est nécessaire d'éviter un fonctionnement en surcharge pendant une longue période, sinon le moteur et le contrôleur seront endommagés, l'usure et le vieillissement du roulement, de la courroie de roulement et de la plaque de roulement seront accélérés.
- Réduire la poussière à l'intérieur, maintenir une certaine humidité, et éviter une forte électricité statique, sinon cela peut interférer avec le fonctionnement normal du compteur électronique et du contrôleur.
- Veuillez éteindre l'alimentation de la machine après utilisation.
- Pendant le mouvement, veuillez serrer le câble de la clé de sécurité sur les vêtements afin d'assurer un arrêt sûr en cas d'urgence.
- Si vous vous sentez mal à l'aise ou anormal pendant l'utilisation, veuillez arrêter l'exercice et consulter votre médecin.
- Après l'utilisation de l'huile de silicone, celle-ci doit être stockée dans un endroit non accessible aux enfants afin d'éviter les conséquences graves causées par l'ingestion.

Avertissement : Afin de réduire les accidents ou les blessures d'autrui, veuillez respecter les règles suivantes :

- Ne portez pas de vêtements pouvant être facilement accrochés par la machine.
- Tenez le cordon d'alimentation à l'écart des objets chauds.
- Tenez les enfants à l'écart de la machine.
- N'utilisez pas la machine à l'extérieur.
- L'alimentation électrique doit être coupée avant de déplacer la machine.
- Les non-professionnels ne sont pas autorisés à démonter la machine sans autorisation, sous peine de conséquences graves.
- Cette machine ne peut être utilisée que sur des circuits de 20 ampères.
- Une seule personne peut se déplacer sur la machine lorsque celle-ci est mise en marche.
- En cas de vertiges, de douleurs thoraciques, de nausées ou d'essoufflement, arrêtez immédiatement l'exercice et consultez un médecin.

Avertissement! Attention!

Si vous êtes sous le traitement d'un médecin ou des patients suivants, veuillez consulter un médecin spécialiste.

- (1) Les personnes qui souffrent de douleurs à la taille ou qui ont subi des blessures aux jambes, à la taille et au cou dans le passé. Engourdissement des jambes, de la taille, du cou et des mains (maladies chroniques telles que hernie discale, protrusion des vertèbres cervicales, etc.)
- (2) Les personnes souffrant d'arthrite déformante, de rhumatisme et de goutte.
- (3) Ostéoporose anormale.
- (4) Les personnes souffrant de troubles circulatoires (maladies cardiaques, troubles vasculaires, hypertension, etc.)
- (5) Dysfonctionnement des organes respiratoires
- (6) Instruments électroniques médicaux implantables utilisant des régulateurs cardiaques artificiels.
- (7) Patients atteints de tumeurs malignes.
- (8) Les personnes souffrant de thrombose ou de lipome grave, de troubles de la circulation sanguine ou de diverses infections cutanées et autres symptômes.
- (9) Les personnes souffrant de troubles de la perception causés par des troubles de la circulation périphérique tels que le diabète.
- (10) Les personnes souffrant de traumatismes cutanés.
- (11) Les personnes souffrant d'une forte fièvre (38 degrés ou plus) due à une maladie, etc.
- (12) Os dorsaux anormaux ou courbés.
- (13) Les personnes enceintes ou susceptibles de l'être ou en période de menstruation.
- (14) Les personnes qui se sentent anormales et qui ont besoin de repos.
- (15) Les personnes qui sont manifestement en mauvaise condition physique.
- (16) À des fins de réadaptation.
- (17) Outre les situations susmentionnées, les personnes se sentent anormales dans leur corps. Cela peut conduire à des accidents ou à une mauvaise santé.

◆ En cas de douleur à la taille, d'engourdissement des jambes et des pieds, de vertiges, de battements de cœur et d'autres douleurs physiques différentes de la normale ou de sensations anormales causées par la coordination pendant l'exercice, cessez immédiatement d'utiliser le produit et consultez un médecin.

Ne laissez pas les enfants utiliser ce produit et ne les laissez pas jouer avec ce produit.

— —Le non-respect de cette consigne peut entraîner des blessures.

◆ Veillez à ce qu'il n'y ait pas de personnes ou d'animaux à proximité (parties arrière, inférieure et avant du produit) pendant l'utilisation, ou lorsque vous chargez et retirez le produit ou que vous le faites glisser.

Interdit!

◆ Ne l'utilisez pas lorsque la coque est fissurée, cassée ou détachée (fuite de la structure interne) ou lorsque la partie soudée est détachée. — —Sinon, des accidents ou des blessures peuvent survenir.

◆ Ne sautez pas de haut en bas pendant l'exercice. — —Des blessures peuvent résulter d'une chute.

◆ Ne pas utiliser ni conserver l'appareil dans des endroits humides, par exemple à l'extérieur ou à proximité de salles de bains ou d'endroits où l'eau est susceptible de s'égoutter.

◆ Ne pas l'utiliser ou le conserver dans des endroits exposés à la lumière directe du soleil, à des températures élevées, par exemple à proximité d'une cuisinière, ou d'appareils de chauffage tels que des tapis chauffants électriques.

— —Cela peut entraîner des fuites d'électricité et des incendies.

◆ N'utilisez pas le cordon d'alimentation ou la fiche s'ils sont endommagés ou si la prise de courant est desserrée, sous peine de provoquer un choc électrique, un court-circuit ou un incendie.

◆ Ne pas endommager, plier ou tordre de force le cordon d'alimentation. En même temps, ne placez pas d'objets lourds dessus et ne tenez pas le fil. — —Le non-respect de cette consigne entraînera un incendie ou une électrocution.

◆ N'utilisez pas l'appareil à deux ou plusieurs personnes en même temps et veillez à ce que les personnes qui vous entourent ne s'approchent pas de l'appareil pendant son utilisation. — —Dans le cas contraire, des accidents ou des blessures peuvent survenir à la suite d'une chute.

◆ Ne l'utilisez pas si vous ne pouvez pas exprimer votre conscience ou si vous ne pouvez pas le faire fonctionner. — —Des accidents ou des blessures pourraient survenir.

Évitez tout contact avec l'eau!

N'immergez pas le corps principal ou la partie opérationnelle avec de l'eau ou une boisson.

— —Risque de choc électrique et d'incendie.

Interdit!

◆ Les personnes qui ne font pas d'exercice physique normalement ne doivent pas pratiquer de sports violents de façon soudaine.

◆ Ne l'utilisez pas après avoir mangé ou lorsque vous êtes fatigué, lorsque vous venez de faire de l'exercice ou lorsque votre condition physique est anormale. — —Peut nuire à la santé.

◆ Ce produit convient à un usage familial et non aux écoles, gymnases et autres lieux non spécifiés accueillant un grand nombre de personnes. — —Il existe un risque de blessure.

Ne l'utilisez pas en mangeant ou en faisant d'autres activités.

◆ Ne l'utilisez pas lorsque vous vous sentez léthargique après avoir bu.

— —Risque d'accident ou de blessure.

◆ Ne pas l'utiliser lorsque des objets durs se trouvent dans la poche du pantalon. — —Risque d'accident ou de blessure.

◆ Ne pas l'utiliser avec des mains mouillées!

◆ Ne pas utiliser des mains mouillées pour retirer ou insérer la fiche d'alimentation. — —Risque d'électrocution et de blessure.

Retirer la fiche d'alimentation!

◆ Lorsque l'appareil n'est pas utilisé, débrancher la fiche de la prise de courant.

— —La poussière et l'humidité dégradent l'isolation, ce qui provoque des fuites et des incendies.

Instructions de mise à la terre!

◆ Le produit doit être mis à la terre. En cas de dysfonctionnement de la machine, la mise à la terre fournira le canal de moindre résistance au courant, de manière à réduire le risque de choc électrique.

◆ Le produit est équipé d'une alimentation électrique avec un conducteur de mise à la terre et une fiche de mise à la terre. La fiche doit être insérée dans une prise appropriée qui a été installée et mise à la terre correctement, conformément aux lois et réglementations locales.

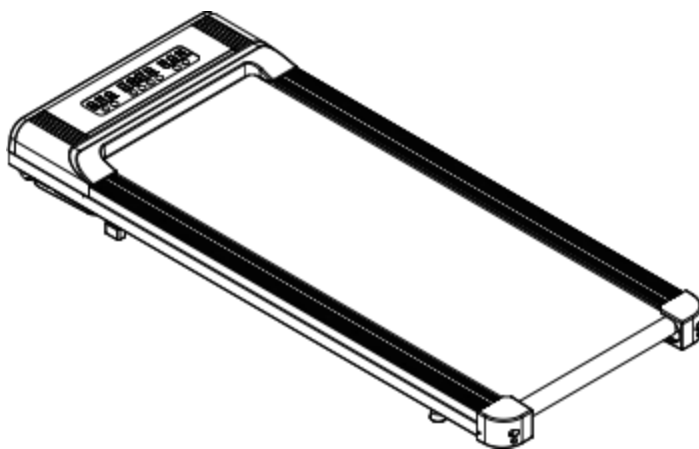
DANGER!

◆ Si le conducteur de mise à la terre de l'appareil n'est pas correctement connecté, un choc électrique peut être provoqué. Si vous vous demandez si la mise à la terre du produit est correcte, veuillez confier cette vérification à un électricien professionnel. Même si la fiche attachée au produit ne correspond pas à la prise, elle ne peut pas être modifiée. Veuillez confier à un électricien professionnel l'installation d'une prise appropriée.

3 . Instructions d'installation

Étape 1.

Ouvrez l'emballage,
sortez le matériel d'assemblage de la boîte,
et posez la partie principale sur le sol.



Attention:

si le tapis de course oscille,
réglez les deux boutons de réglage situés sous la base du tapis de
course.

4 . Suggestions d'exercices et directives

Échauffement

5 à 10 minutes d'échauffement avant chaque utilisation de la machine.

Respiration

Ne bloquez pas la respiration pendant l'exercice. La respiration et l'action doivent être coordonnées. Si la respiration est trop rapide, arrêtez immédiatement l'exercice.

Fréquence

La même partie du muscle doit être exercée après 48 heures de repos, c'est-à-dire tous les deux jours pour entraîner la même partie.

Charge

Le poids de l'entraînement est déterminé en fonction de l'état de l'entraînement physique individuel, puis l'entraînement est effectué selon le principe de la charge progressive. Au cours de l'entraînement initial, les douleurs musculaires sont un phénomène normal. Tant que l'entraînement se poursuit, la douleur peut être éliminée.

Alimentation

Afin de protéger le système digestif, l'exercice peut être effectué une heure après les repas. Après l'entraînement, il faut manger au moins une demi-heure plus tard. Boire moins d'eau pendant l'exercice, afin de ne pas augmenter la charge sur le cœur et les reins.

Exercice d'étirement

Quelle que soit la vitesse à laquelle vous courez, il est préférable de commencer par vous étirer. Les muscles chauds sont plus faciles à étirer, car il faut 5 à 10 minutes pour s'échauffer. Ensuite, arrêtez-vous et faites cinq étirements comme suit, chaque jambe 10 secondes ou plus à la fois, et recommencez à la fin de la séance d'entraînement.

1. Étirement vers le bas

Fléchir légèrement les genoux, se pencher lentement, détendre le dos et les épaules, mesurer les mains et toucher les orteils, maintenir la position pendant 10 à 15 secondes, puis se détendre et répéter 3 fois. (voir figure 1)

2. Étirement des ischio-jambiers

Asseyez-vous sur un coussin propre et tendez une jambe. Placez l'autre jambe, gardez-la près de l'intérieur de la jambe tendue et essayez de toucher les orteils avec vos mains, maintenez la position pendant 10 à 15 secondes, puis relâchez, et répétez 3 fois pour chaque jambe (voir figure 2).

3. Étirement du mollet et du tendon du talon

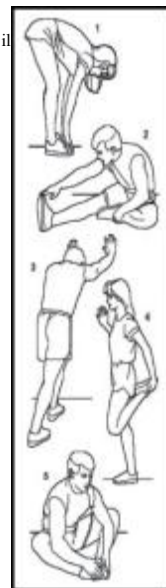
Se tenir debout, les deux mains sur le mur ou la table, un pied derrière. Gardez les jambes arrière bien droites et les talons bien droits. Se pencher vers le mur ou la table, maintenir la position pendant 10 à 15 secondes, puis se détendre et répéter chaque jambe trois fois. Détendez-vous et répétez l'exercice trois fois pour chaque jambe. (voir figure 3)

4. Étirement des muscles de la tête

Tenez la balance avec votre main droite sur le mur ou la table, puis étendez votre main gauche vers l'arrière, saisissez votre cheville gauche et tirez-la lentement jusqu'à votre hanche jusqu'à ce que vous sentiez que le muscle devant votre cuisse est très tendu, tirez-la vers le haut pendant environ 10 à 15 secondes, puis détendez-vous, et répétez 3 fois pour chaque jambe (voir figure 4).

5. Étirement du muscle sartorius (muscle de l'intérieur de la cuisse)

Les pieds face à face, s'asseoir avec les genoux tournés vers l'extérieur, saisir les pieds avec les deux mains et les tirer vers le sillon ventral, maintenir la scrofula pendant 10 à 15 secondes, puis se détendre et répéter 3 fois. (voir figure 5)



5. Instructions relatives au produit

(I) Fenêtre et touches Description:

La fenêtre LED affiche les fonctions suivantes:

A. Fenêtre de vitesse : Plage d'affichage de la vitesse Q2 : 1-10km/h

(II) Profil

Les fonctions de la montre électronique

Télécommande

Utilisez la fonction de verrouillage de sécurité:

Placez la partie d'absorption ferromagnétique de la ceinture de verrouillage de sécurité dans la zone jaune, utilisez la pièce de fixation du casier et attachez-la à l'avant des vêtements.

• Lorsque la mise sous tension et le verrouillage de sécurité sont en place, arrêter le tapis roulant à l'aide de la fonction d'arrêt soudain.

(III) Brève introduction

Fonctions de ce compteur électronique

• Fonction de contrôle à distance

(IV) Description de l'écran LED

Contenu de l'affichage sur les LED:

- Affichage de la vitesse
- Affichage des calories
- Affichage de l'heure

La fenêtre affiche la vitesse, les calories et l'heure toutes les 5 secondes..

(V) Description de la fonction de la touche de télécommande. Touche de fonction du clavier de télécommande:

- Touche de démarrage/arrêt
- vitesse+touche
- vitesse-touche

(VI) Fonction et mode d'emploi de la touche de la télécommande

1. Touche start / Stop: appuyez sur l'interrupteur d'alimentation du tapis roulant et lorsque vous entendez le bip du buzzer, appuyez sur la touche start / off de la télécommande.

Pour commencer à courir, arrêtez le tapis roulant et appuyez sur la touche start / STOP de la télécommande pour l'éteindre.

2. Vitesse + touche: pour accélérer le tapis roulant pendant qu'il est en marche, appuyez sur vitesse + sur la télécommande pour augmenter de. 3. Touche de vitesse: appuyez sur la touche de vitesse de la télécommande lorsque le tapis roulant est en marche pour ralentir le tapis roulant.

6. Entretien du produit

1. Lubrification

Après avoir utilisé la courroie de course pendant un certain temps, il est nécessaire d'ajouter de l'huile de course pour éviter de glisser.

Le temps de lubrification recommandé est:

Lorsque vous parcourez plus de 300 km, ajoutez un peu d'huile.

Remarque: n'ajoutez pas trop de doses à chaque fois.

2. Vérifier si la lubrification est nécessaire

Saisissez la courroie de transmission et touchez autant que possible la zone centrale arrière de la courroie. S'il y a de l'huile de silicone sur la ceinture, cela signifie qu'aucune lubrification n'est nécessaire. Si vous sentez que la planche de course est sèche et que vous n'avez pas d'huile de silicone dans vos mains, vous devez faire le plein et lubrifier la planche de course.

Mesurer la position centrale de la courroie de transmission (voir photo de droite) et pulvériser de l'huile de silicone à l'intérieur de la courroie. Ensuite, exécutez le tapis roulant à une vitesse de 1 km, appliquez uniformément l'huile de silicone et allumez la courroie de course de gauche à droite. Après environ une minute, l'huile de silicone sera absorbée par la courroie en cours d'exécution.

3. Ajuste elástico del cinturón de funcionamiento

Todas las cintas de correr han ajustado la tensión de la correa de transmisión antes de salir de la fábrica, pero después de un período de uso, la correa de transmisión todavía se aflojará. La manifestación específica es: deslizamiento en uso normal. Cuando esto sucede, en unidades de semicírculo, ajuste simultáneamente los pernos de ajuste del cinturón de operación izquierda y derecha en el sentido de las agujas del reloj.

Nota: al ajustar el cinturón de transmisión, no se permite ajustar el cinturón de transmisión demasiado apretado, prevalecerá el uso normal del cinturón de transmisión y no se deslizará. Si el cinturón de funcionamiento se ajusta demasiado apretado, el envejecimiento del cinturón de funcionamiento se acelerará y la carga del motor aumentará.



4. La vida útil del rodamiento se reducirá

Todas las cintas de correr han ajustado la desviación de la correa de funcionamiento antes de salir de la fábrica, pero después de un período de uso, puede haber una desviación de la correa de funcionamiento, que puede deberse a las siguientes situaciones:

- (1) la parte principal no se colocó de manera estable.
- (2) al hacer ejercicio, los pies del usuario no están en el centro del cinturón de correr.
- (3) fuerza desigual en los pies del usuario.

Después de unos minutos de funcionamiento sin carga, la desviación causada por factores humanos volverá automáticamente a la normalidad. Para algunas desviaciones que no se pueden recuperar automáticamente, ajuste el tornillo de ajuste del cinturón.

Las operaciones específicas son las siguientes:

décentré vers la GAUCHE



décentré vers la DROITE



Pour déterminer la gauche et la droite, se placer à l'arrière du tapis roulant et faire face à l'écran. Effectuer tous les réglages de la bande sur le boulon arrière à l'aide de la clé hexagonale fournie.

Si la courroie est décentrée vers la GAUCHE,

tourner le boulon de réglage gauche de $\frac{1}{4}$ de tour dans le sens des aiguilles d'une montre

ou le boulon de réglage droit de $\frac{1}{4}$ de tour dans le sens inverse des aiguilles d'une montre

ce qui déplace la courroie vers la droite.

Si la courroie est décentrée vers la DROITE,

tourner le boulon de réglage gauche de $\frac{1}{4}$ de tour dans le sens inverse des aiguilles d'une montre

ou le boulon de réglage droit de $\frac{1}{4}$ de tour dans le sens des aiguilles d'une montre

ce qui déplace la courroie vers la gauche.

Important:

1. Ne pas tourner le boulon de réglage de plus de $\frac{1}{4}$ de tour à la fois.

Un serrage excessif du boulon endommagera le tapis roulant.

2. Vérifier à nouveau l'alignement de la bande de roulement en répétant les étapes décrites dans la section Tapis de course : Vérification de l'alignement de la bande de roulement.

Remarque : la déviation de la bande de roulement n'est pas couverte par la garantie, Elle est principalement entretenue et maintenue par les utilisateurs conformément aux instructions.

La déviation endommagera sérieusement la bande de roulement et affectera sa durée de vie. Veuillez ajuster à temps lorsque cela se produit.

7. Paramètres techniques

Types d'appareils	Q2
Tension de fonctionnement	220-240V 50-60Hz
Charge maximale	130KG
Dimension de l'encombrement	1255*57.5*1060MM
Surface de fonctionnement effective	1070*40MM
Puissance de crête du moteur	3.0HP
Puissance de sortie continue	1.0HP
Vitesse	1-10km/h
Fonctions	Marche/course
Niveau de protection contre les chocs électriques	Niveau I

8. Dépannage

Code d'erreur	Erreur	Jugement de l'erreur	Solution
E6	Moteur protection contre les surtensions	<ol style="list-style-type: none"> 1. Le réseau électrique ou la tension de l'utilisateur est instable et la tension de crête est trop élevée ; 2. La valeur du diamètre de la roue a été mal réglée; 3. Le contrôleur est endommagé 	<ol style="list-style-type: none"> 1. Ajouter un filtre régulateur externe; 2. Redéfinir la valeur du diamètre de la roue de manière à ne pas dépasser la tension nominale du moteur ; 3. Remplacer le contrôleur;
E5	Protection contre les surintensités	<ol style="list-style-type: none"> 1. Charge excessive; 2. Le moteur ou le rouleau est bloqué par des corps étrangers; 3. Le rouleau n'est pas assez lubrifié et la résistance augmente; 4. Le moteur est endommagé et la résistance augmente; 	<ol style="list-style-type: none"> 1. Réduire la charge et essayer de ne pas dépasser la charge nominale; 2. Retirer l'objet coincé; 3. Ajouter du lubrifiant; 4. Remplacer le moteur;
E2	Moteur endommagé	<ol style="list-style-type: none"> 1. Le fil du moteur n'est pas connecté ou est lâche; 2. Le moteur est endommagé; 3. Le contrôleur est endommagé; 	<ol style="list-style-type: none"> 1. Renforcer le câble du moteur; 2. Remplacer le moteur; 3. Remplacer le contrôleur;
E1	Connexion erreur	<ol style="list-style-type: none"> 1. L'interface des lignes de connexion des commandes principales supérieure et inférieure est desserrée; 2. La ligne de connexion principale des commandes supérieure et inférieure est endommagée; 3. Le moniteur est endommagé; 4. Le contrôleur est endommagé; 	<ol style="list-style-type: none"> 1. Renforcer l'interface du câble; 2. Remplacer le câble de connexion principal de la commande supérieure et inférieure; 3. Remplacer le moniteur; 4. Remplacer le contrôleur;