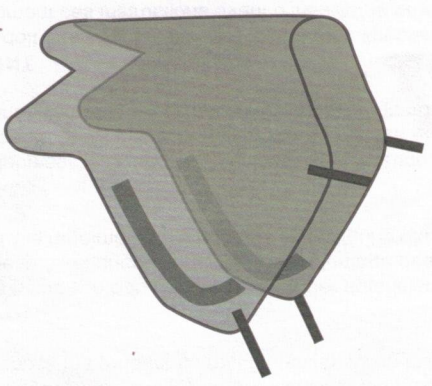


(A) x1



(B) x2

