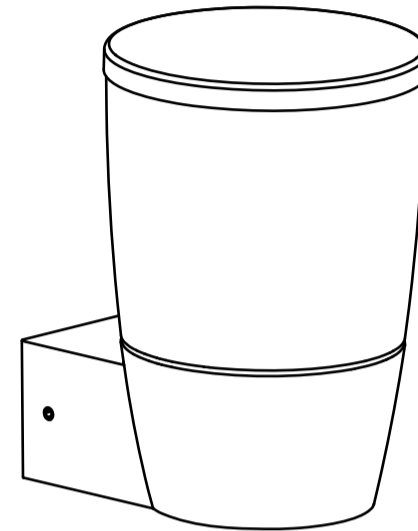




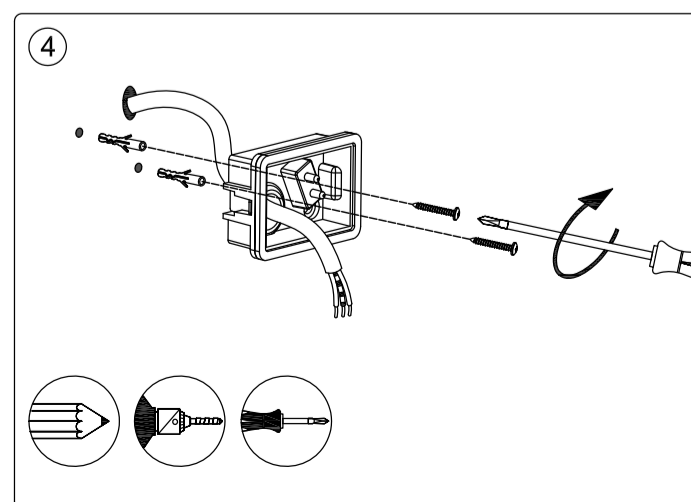
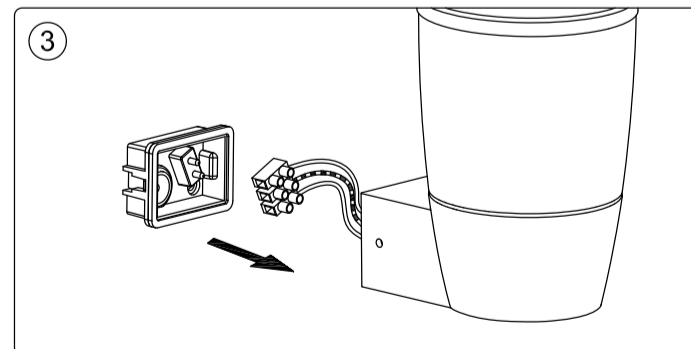
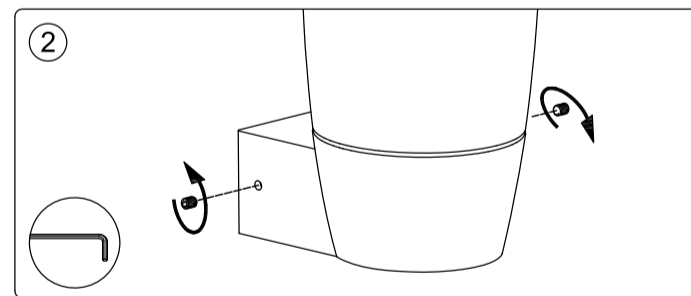
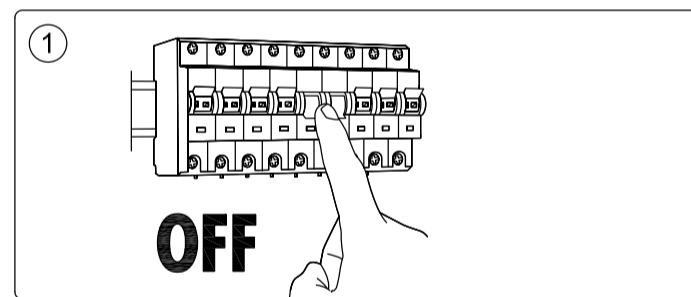
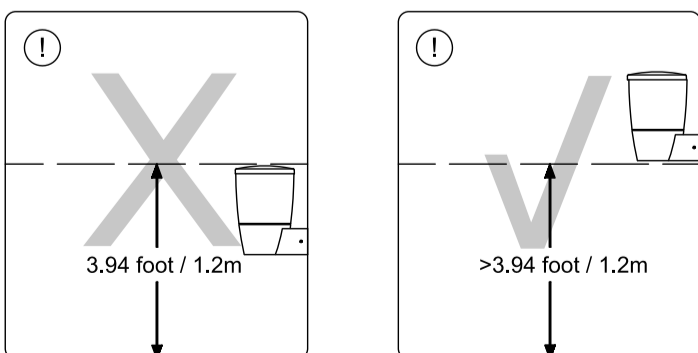
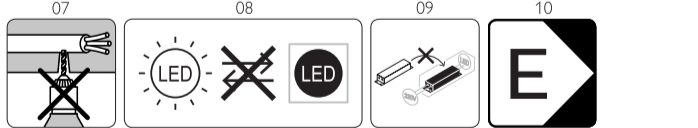
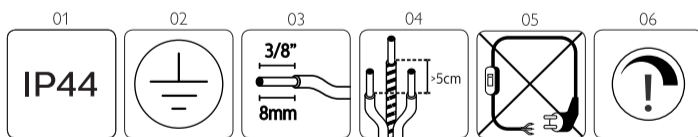
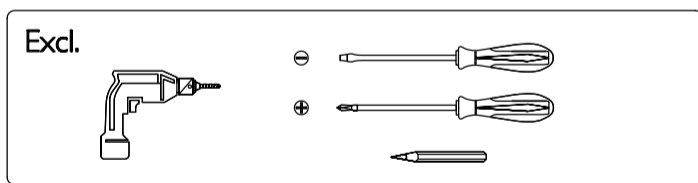
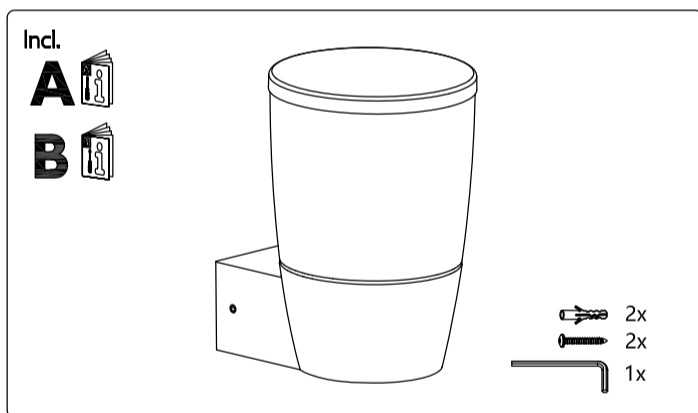
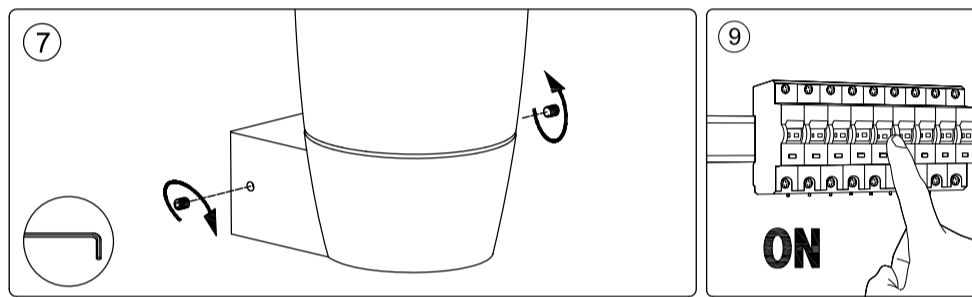
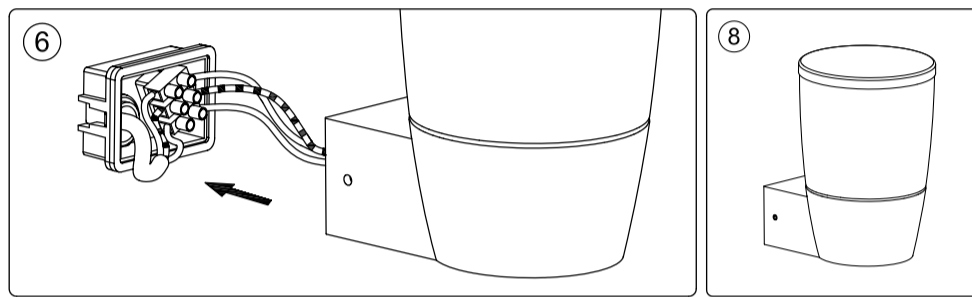
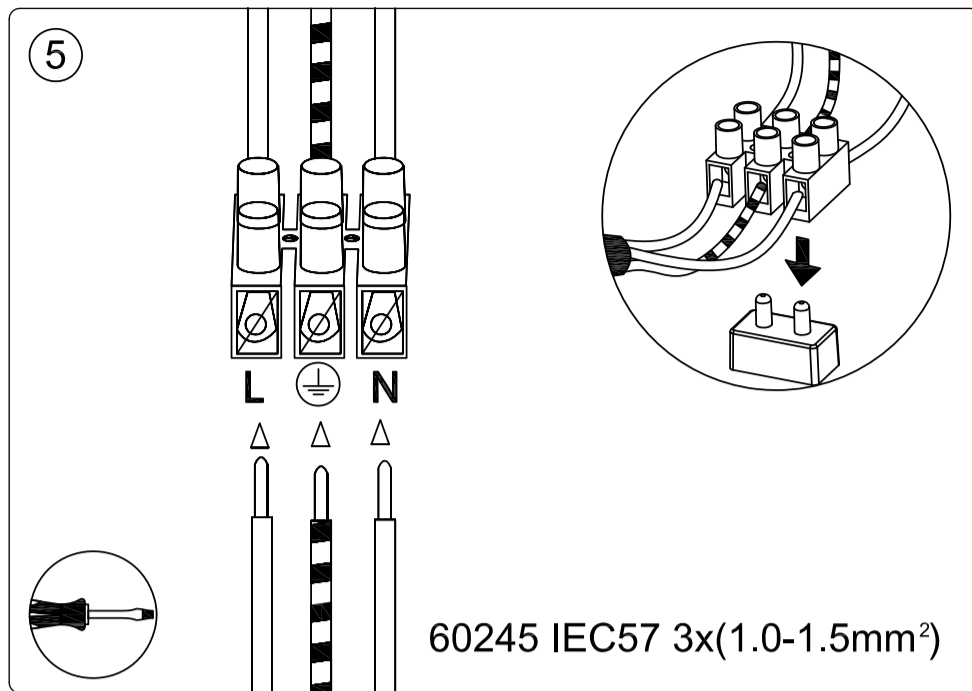
WIZ



WIZ ELPAS Wall EU Manual
929003247501

wizconnected.com

3241 659 96101
© 2022 Signify Holding
©ignify



SIGNIFY	
Brand	WIZ
Product Family	LED
Shape	
Wattage	
Template Ref.	N/A
SGS number	6859242
12-NC.NBR	324165996101
Masterdrawing	A4
CRC Ref.	CRC000
Barcode No.	8720169071254
Operator(s)	steven.he
VERSION No.	v2
Date in	
Date amended	20220809
Black	DIECUT
Date Check <input type="checkbox"/> Check briefing Traffic	
Artwork document <input type="checkbox"/> Legend <input type="checkbox"/> Number of colors <input type="checkbox"/> 12NC <input type="checkbox"/> Trapping/Bleed <input type="checkbox"/> Barcode <input type="checkbox"/> Images hires <input type="checkbox"/> Diecut <input type="checkbox"/> Jobsizes	
Approval	
<input type="checkbox"/> QC Lithographer	SGS Shanghai Production
<input type="checkbox"/> Product Manager	zhang.jie@signify.com
<input type="checkbox"/> Traffic Manager	Joanna Wu