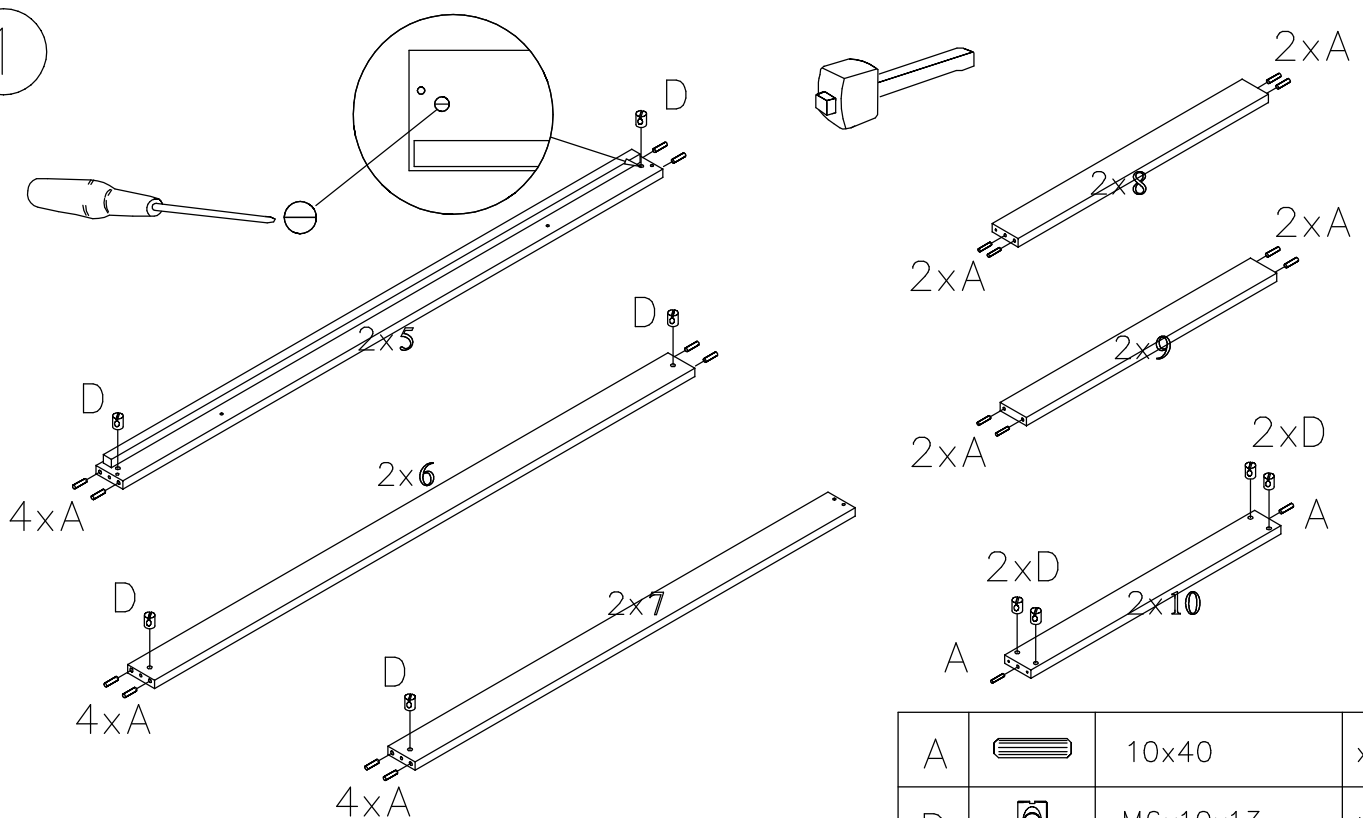


| | | | |
|---|--|------------|-----|
| A | | 10x40 | x40 |
| B | | 6,3x90 | x4 |
| C | | M6x90 | x18 |
| D | | M6x10x13 | x18 |
| E | | 7x50 | x12 |
| F | | M6x70 | x1 |
| G | | M6x8x12x15 | x1 |

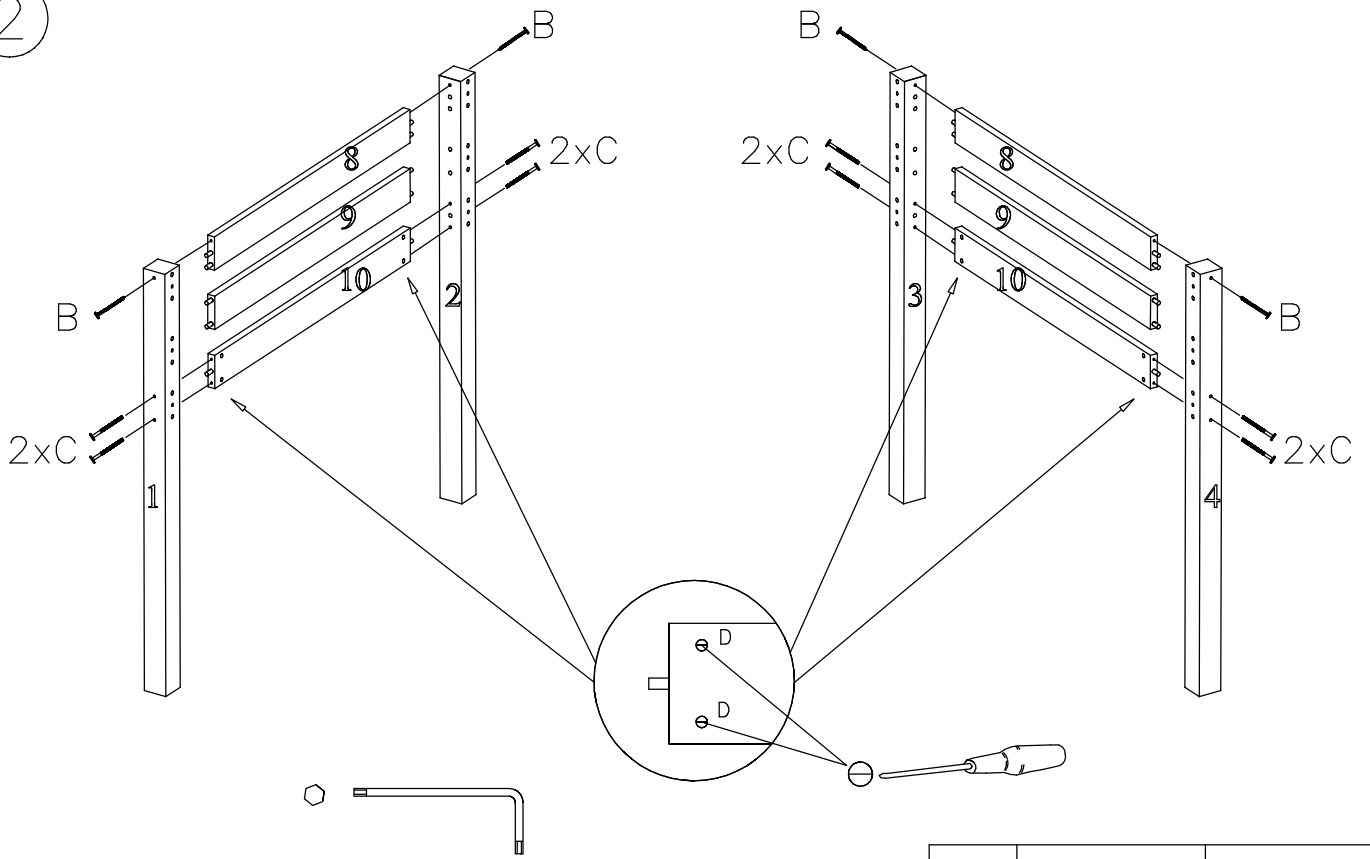
| | | | |
|---|--|--------|-----|
| H | | 5,5x55 | x6 |
| K | | 3,5x40 | x27 |
| N | | D8x13 | x1 |
| P | | D4x13 | x12 |
| | | 4mm | x2 |



1



| | | | |
|---|--|----------|-----|
| A | | 10x40 | x40 |
| D | | M6x10x13 | x18 |

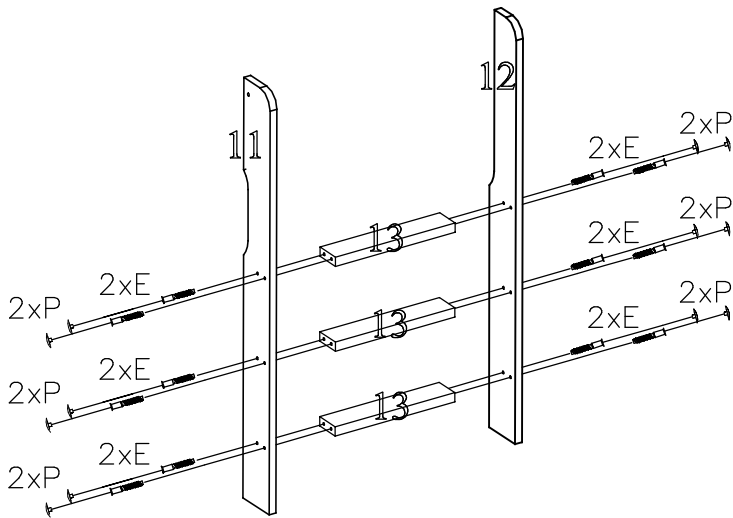
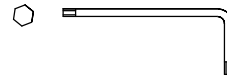
2



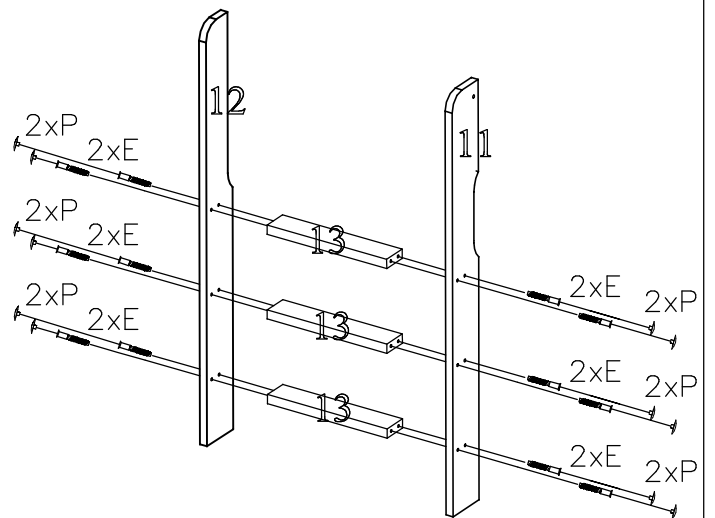
| | | | |
|---|---|--------|----|
| B |  | 6,3x90 | x4 |
| C |  | M6x90 | x8 |


3

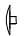
ASSEMBLING LADDER LEFT SIDE



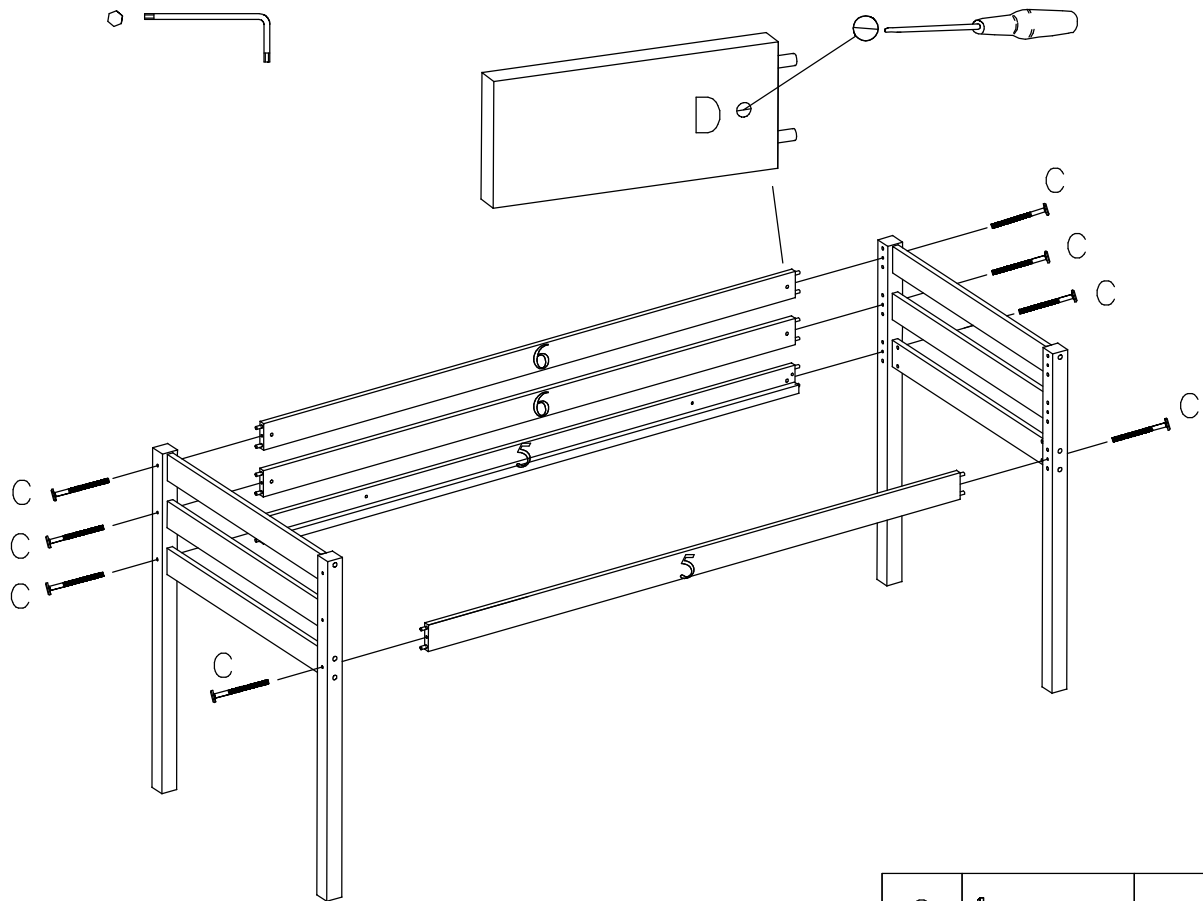
ASSEMBLING LADDER RIGHT SIDE




| | | | |
|---|---|------|-----|
| E |  | 7x50 | x12 |
|---|---|------|-----|

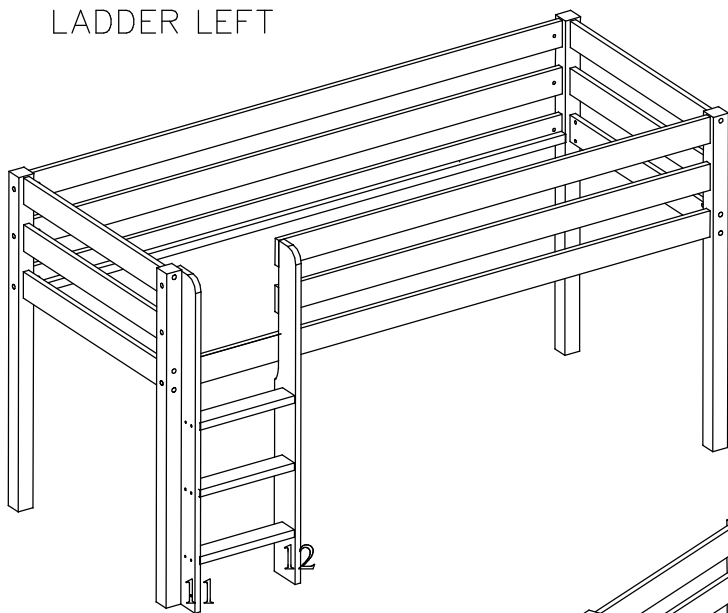
| | | | |
|---|---|-------|-----|
| P |  | D4x13 | x12 |
|---|---|-------|-----|

4

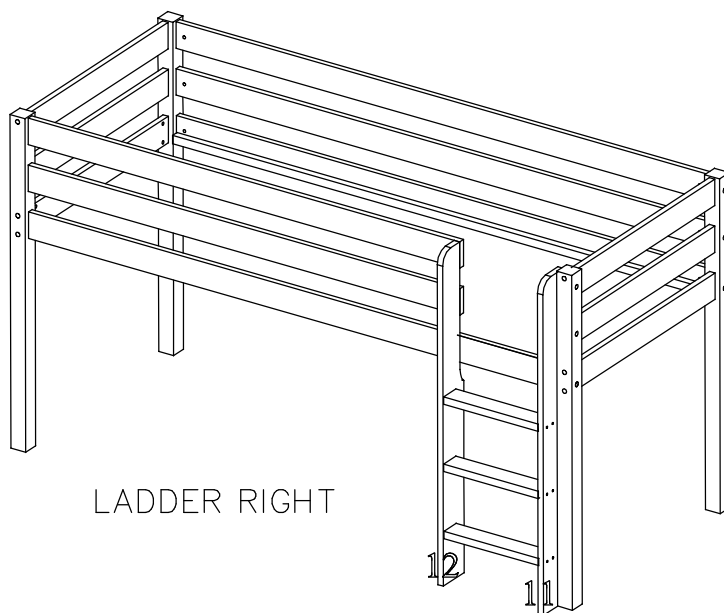


| | | | |
|---|---|-------|-----|
| C |  | M6x90 | x10 |
|---|---|-------|-----|

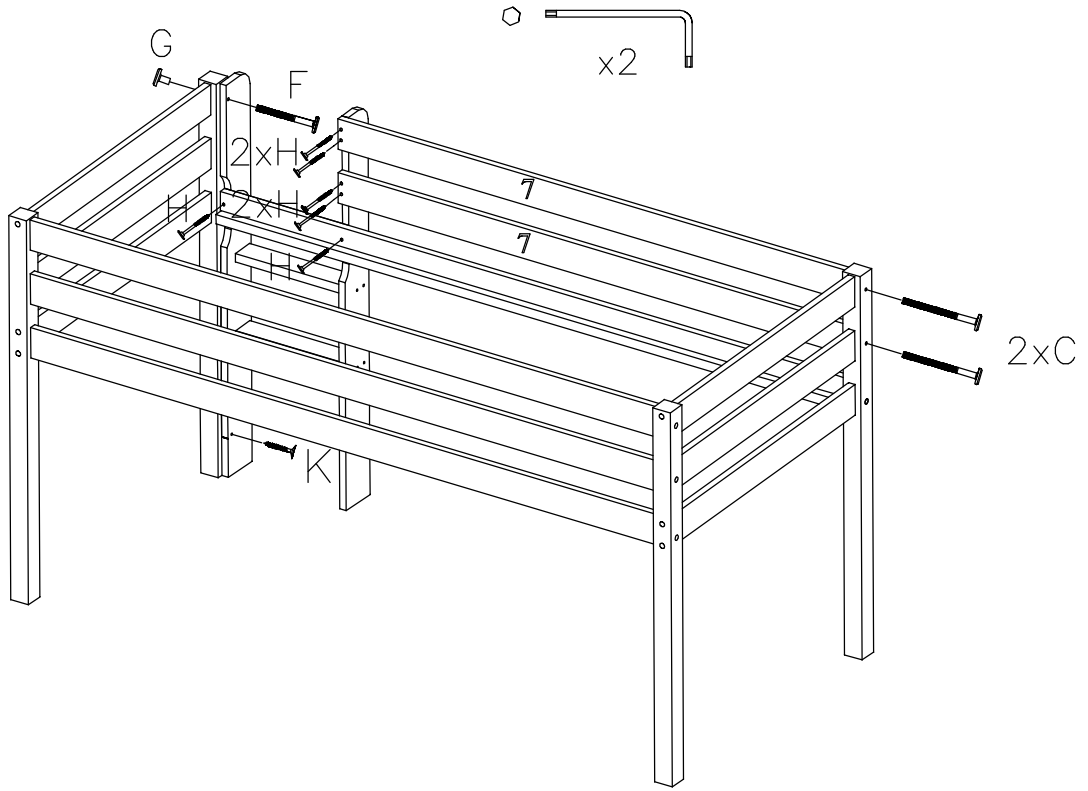
LADDER LEFT






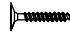

LADDER RIGHT



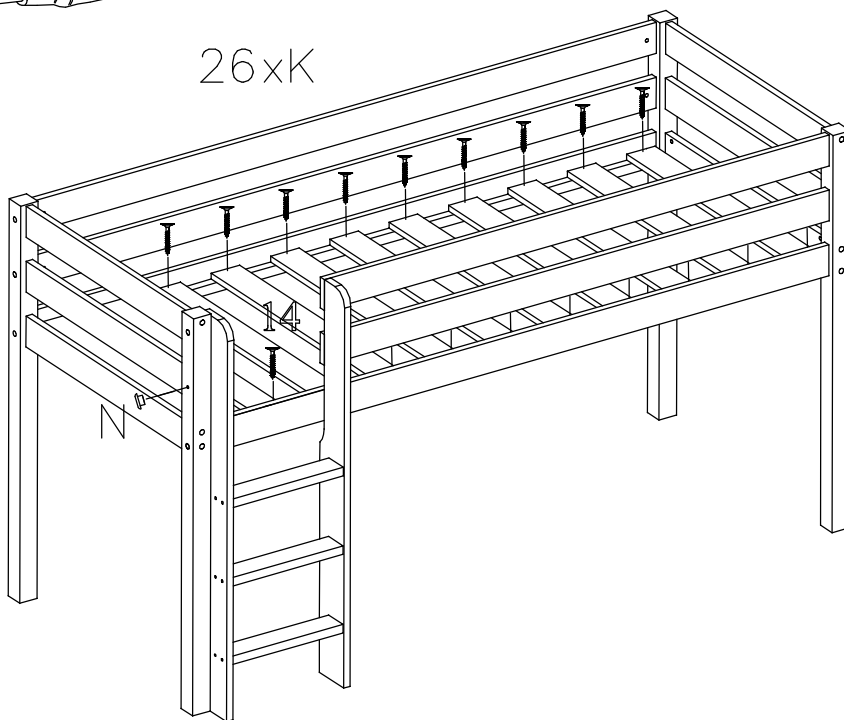
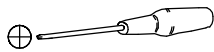
5





| | | | |
|---|---|------------|----|
| C |  | M6x90 | x2 |
| F |  | M6x70 | x1 |
| G |  | M6x8x12x15 | x1 |

| | | | |
|---|---|--------|----|
| K |  | 3,5x40 | x1 |
| H |  | 5,5x55 | x6 |

6



| | | | |
|---|---|-------|----|
| N |  | D8x13 | x1 |
|---|---|-------|----|

| | | | |
|---|---|--------|-----|
| K |  | 3,5x40 | x26 |
|---|---|--------|-----|